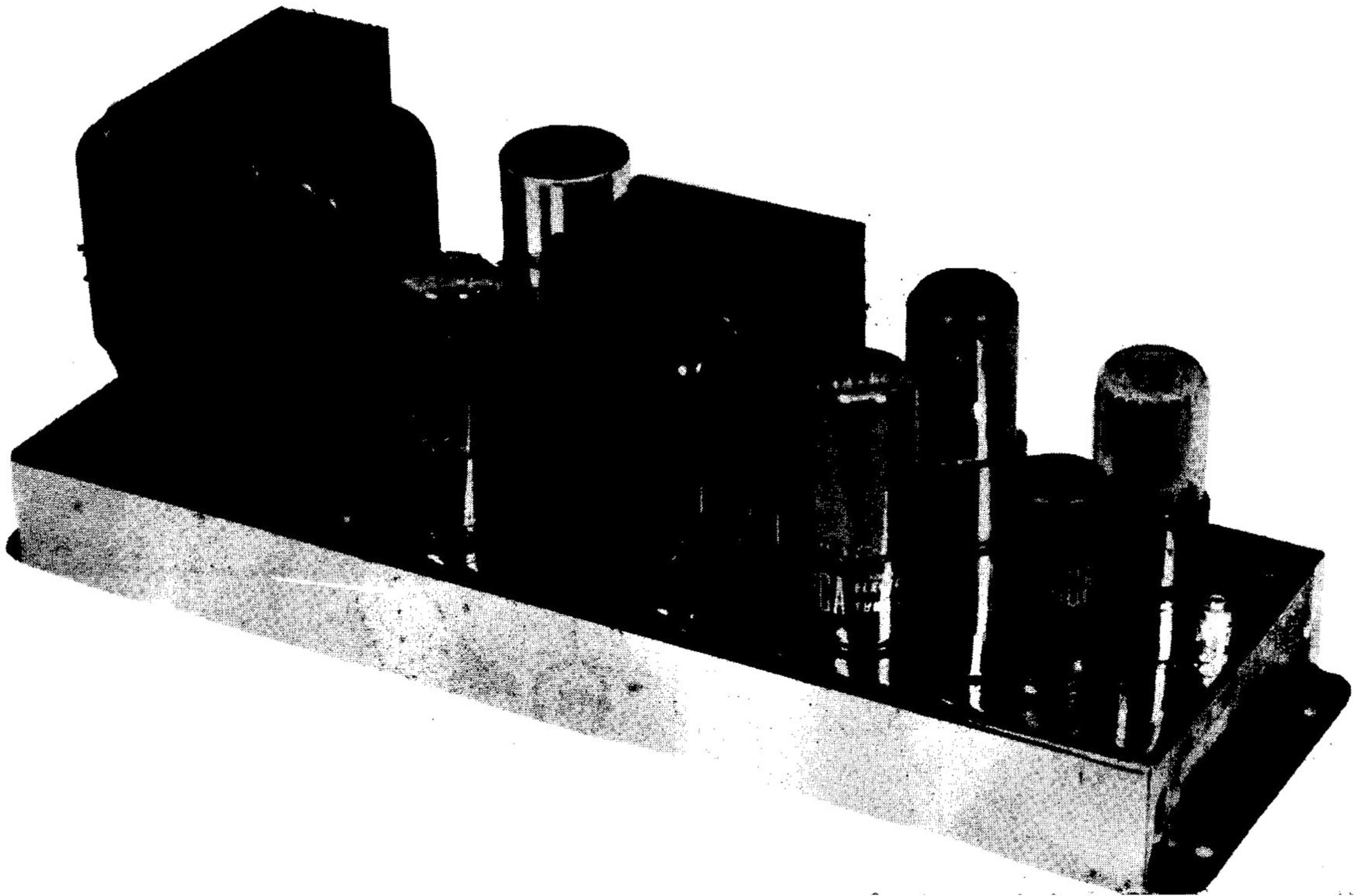


RADIO CRAFTSMEN MODEL C400



TRADE NAME	Radio Craftsmen Model C400		
MANUFACTURER	Radio Craftsmen Inc., 4401 Ravenswood Ave., Chicago 40, Ill.		
TYPE SET	AC Operated Audio Amplifier		
TUBES (Five)	Types 6J5 AF Amp., 6SN7GT AF Amp.-Phase Inv., (2) 6V6GT Audio Output, 5Y3GT Rectifier		
POWER SUPPLY	110-120 Volts AC-60 Cycle	RATING	.62 Amp. @ 117 Volts AC

PARTS LIST AND DESCRIPTIONS

TUBES (SYLVANIA or Equivalent)

ITEM No.	USE	REPLACEMENT DATA		RMA BASE TYPE	NOTES
		Radio Craftsmen PART No.	STANDARD REPLACEMENT		
V1	AF Amplifier	6J5	6J5	6Q	
V2	AF Amplifier-Phase Inverter	6SN7GT	6SN7GT	8BD	
V3	Audio Output	6V6GT	6V6GT	7AC	
V4	Audio Output	6V6GT	6V6GT	7AC	
V5	Rectifier	5Y3GT	5Y3GT	5T	

CAPACITORS

Capacity values given in the rating column are in mfd. for Electrolytic and Paper Capacitors, and in mmfd. for Mica and Ceramic Capacitors.

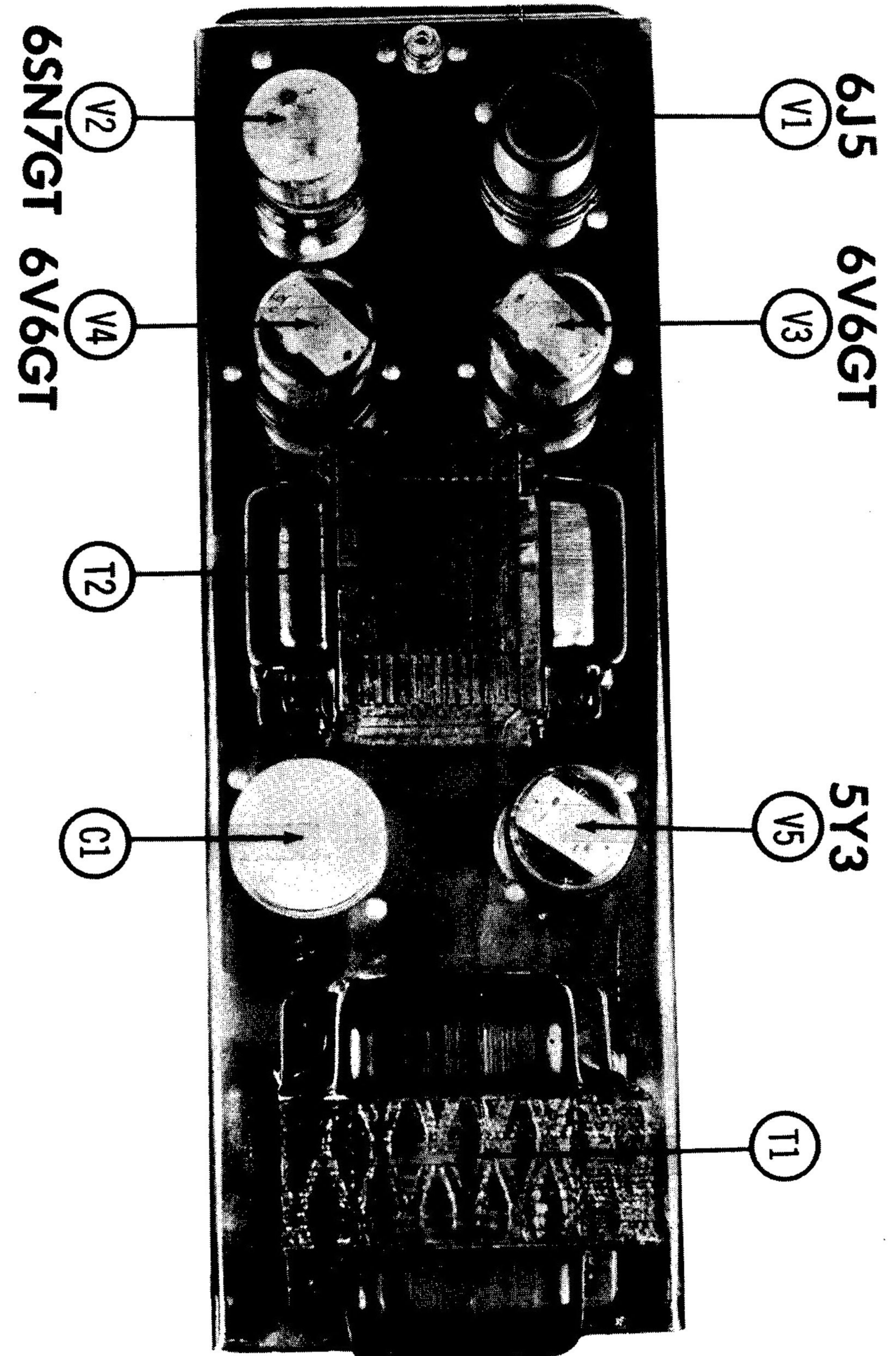
ITEM No.	RATING		REPLACEMENT DATA						NOTES	
	CAP.	VOLT	Radio Craftsmen PART No.	AEROVOX PART No.	CENTRALAB PART No.	CORNELL-DUBILIER PART No.	ERIE PART No.	MALLORY PART No.		SPRAGUE PART No.
C1A	20	400	18S032	AFH3-45		UP22245		FP391.1	TVL-3789	
B	60	400		PRS450/20		BR6045		TC65	TVA-1608	
C	20	350								
D	20	350								
C2	100	50	CE8H0510P	PRS50/100		BRH501		TC3501	TVA-1310	
C3	.1	400	CP10M4104M	P488-1	DF-104	PTE4P1		PT401	4TM-P1	
C4	390	500	CM20A391J	1469-0004		5R5T4		MCB243	MS-34	
C5	.047	400	CP10M4473M	P488-047	DF-503	PTE4S47		PT4147	4TM-S47	
C6	.047	400	CP10M4473M	P488-047	DF-503	PTE4S47		PT4147	4TM-S47	
C7	100	500	CM20A101K	1468-0001	D6-101	5W5T1	GPIK-101	MC235	1FM-31	

RESISTORS

ITEM No.	RATING		REPLACEMENT DATA		NOTES	ITEM No.	RATING		REPLACEMENT DATA		NOTES
	OHMS	WATT	Radio Craftsmen PART No.	IRC PART No.			Radio Craftsmen PART No.	IRC PART No.			
R1	470KΩ	1/2	RC20AE474K	BTS-470K		R10	470KΩ	1/2	RC20AE474K	BTS-470K	
R2	6800Ω	1/4	RC20AE682K	BTS-6800		R11	300Ω	1/4	RW4301K	1 3/4A-300	
R3	100KΩ	1/2	RC20AE104K	BTS-100K		R12	470KΩ	1/2	RC20AE474K	BTS-470K	
R4	470KΩ	1/2	RC20AE474K	BTS-470K		R13	12KΩ-5%	1/2	RC20AE123J	BTS-12K-5%	
R5	3900Ω-5%	1/2	RC20AE392J	BTS-3900-5%		R14	10KΩ	1/2	RC20AE103K	BTS-10K	
R6	220KΩ	1/2	RC20AE224K	BTS-220K		R15	2200Ω	2	RW2222K	BTB-2200	
R7	2700-5%	1/2	RC20AE272J	BTS-2700-5%		R16	100Ω	2	RC40AE101K	BW-2-100	
R8	47KΩ	1/2	RC20AE473KB		Note	R17	2.2Ω	1/2	RW02R2K	BW-1/2-2.2	
R9	47KΩ	1/2	RC20AE473KB		Note						

Note Resistors matched within 2%.

CHASSIS—TOP VIEW



PARTS LIST AND DESCRIPTIONS (Continued)

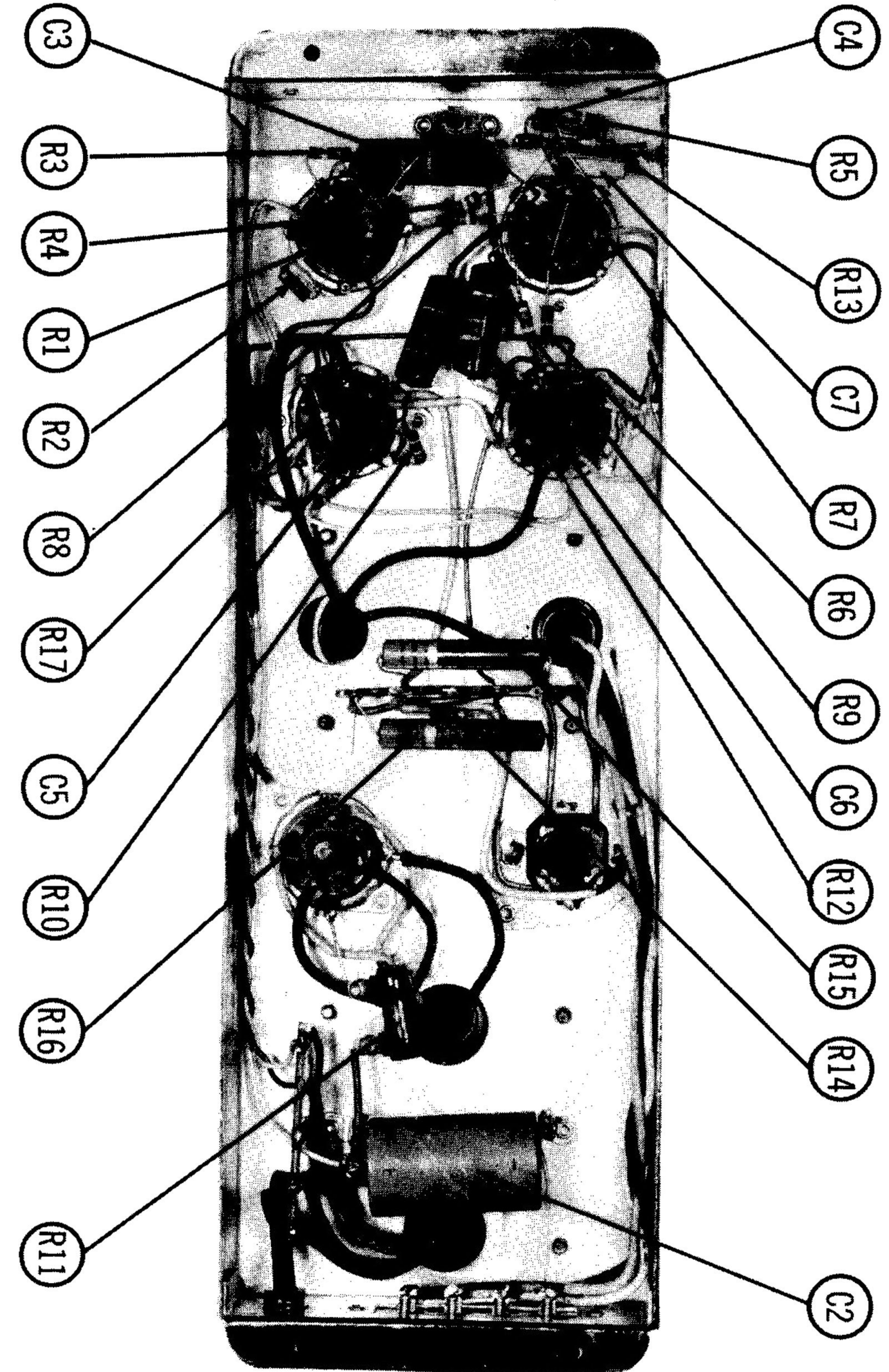
TRANSFORMER (POWER)

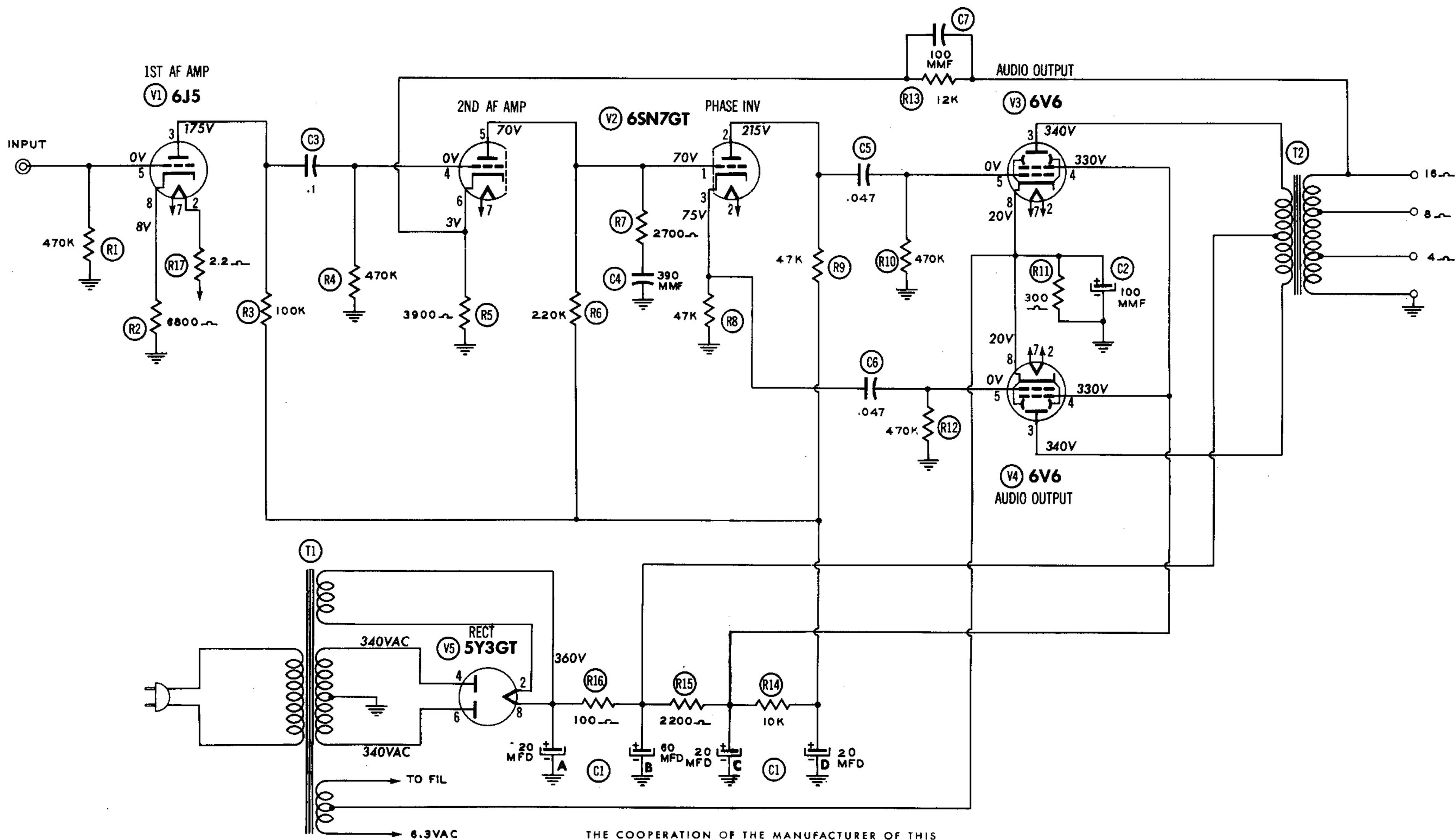
ITEM No.	RATING				REPLACEMENT DATA				
	PRI.	SEC. 1	SEC. 2	SEC. 3	Radio Craftsmen PART No.	STANCOR PART No.	MERIT PART No.	CHICAGO PART No.	TRIAD PART No.
	T1	117VAC @ .62A	676VCT .080ADC	5VAC @ 2A	6.3VAC @ 1.7A	19S211	PC-8410	P-3152	PV-120H

TRANSFORMER (AUDIO OUTPUT)

ITEM No.	RATING				REPLACEMENT DATA					NOTES
	IMPEDANCE		DC RES.		Radio Craftsmen PART No.	STANCOR PART No.	MERIT PART No.	CHICAGO PART No.	TRIAD PART No.	
	PRI.	SEC.	PRI.	SEC.						
T2	10.3KΩ CT	16Ω tap @ 8Ω, 4Ω	498Ω CT	1.08Ω tap @ .66Ω, .56Ω	19S015	A-3311	A-3101		HSM-81 ①	① Drill new mtg hole

CHASSIS—BOTTOM VIEW





THE COOPERATION OF THE MANUFACTURER OF THIS EQUIPMENT MAKES IT POSSIBLE TO BRING YOU THIS SERVICE

RESISTANCE READINGS

Item	Tube	Pin 1	Pin 2	Pin 3	Pin 4	Pin 5	Pin 6	Pin 7	Pin 8
V 1	6J5	0Ω	300Ω	†112KΩ	†12KΩ	470KΩ	0Ω	300Ω	6.8KΩ
V 2	6SN7GT	†232KΩ	†59KΩ	47KΩ	470KΩ	†232KΩ	3KΩ	300Ω	300Ω
V 3	6V6GT	0Ω	300Ω	†349Ω	†2.3KΩ	470KΩ	300Ω	300Ω	300Ω
V 4	6V6GT	0Ω	300Ω	†349Ω	†2.3KΩ	470KΩ	†12KΩ	300Ω	300Ω
V 5	5Y3GT	INF	80KΩ	INF	100Ω	INF	110Ω	INF	80KΩ

† MEASURED FROM PIN 2 OF V5

- 1-DC Voltage measurements are at 20,000 ohms per volt, AC Voltages measured at 1000 ohms per volt.
- 2-Socket connections are shown as bottom views.
- 3-Measured values are from socket pin to common negative.
- 4-Line voltage maintained at 117 volts for voltage readings.
- 5-Nominal tolerance on component values makes possible a variation of ± 15% in voltage and resistance readings.
- 6-All controls at minimum, proper output load connected.