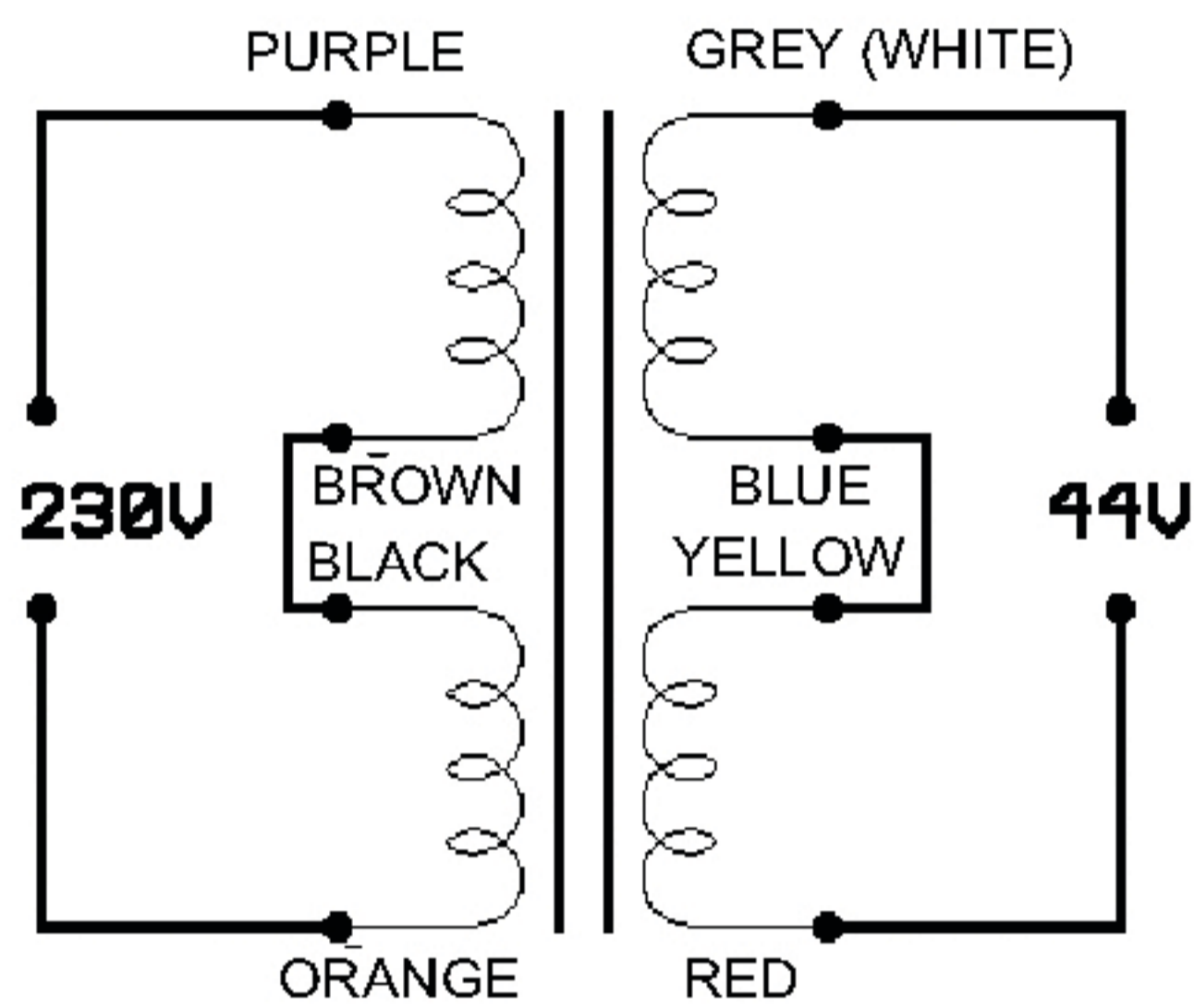


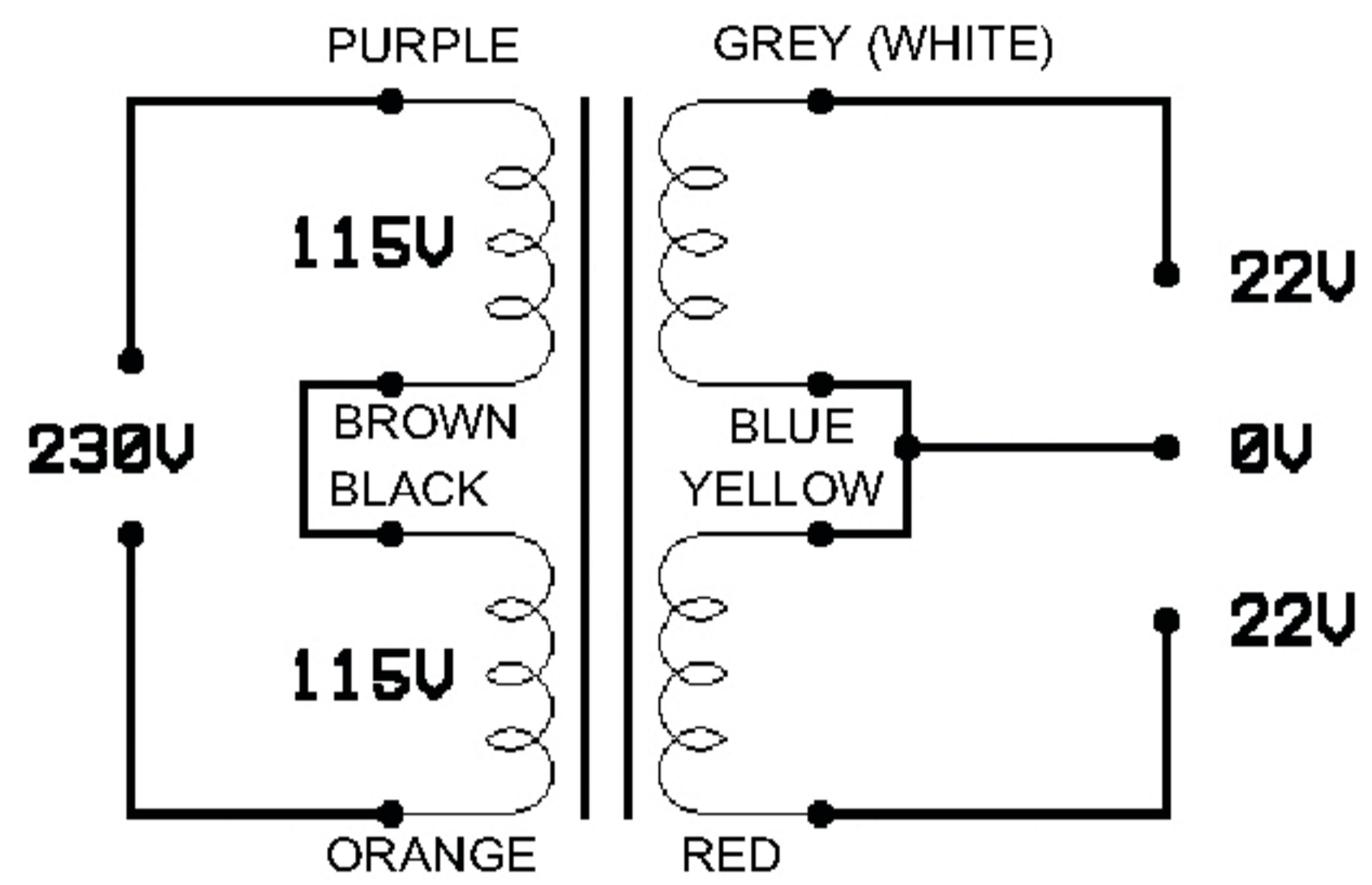
CREEK AUDIO LIMITED
 2, BELLEVUE ROAD
 FRIERN BARNET
 LONDON N11 3ER
 TEL 0181-361-4133
 FAX 0181-361-4136

**4040 TRANSFORMER
 REPLACEMENT
 DIAGRAMS**

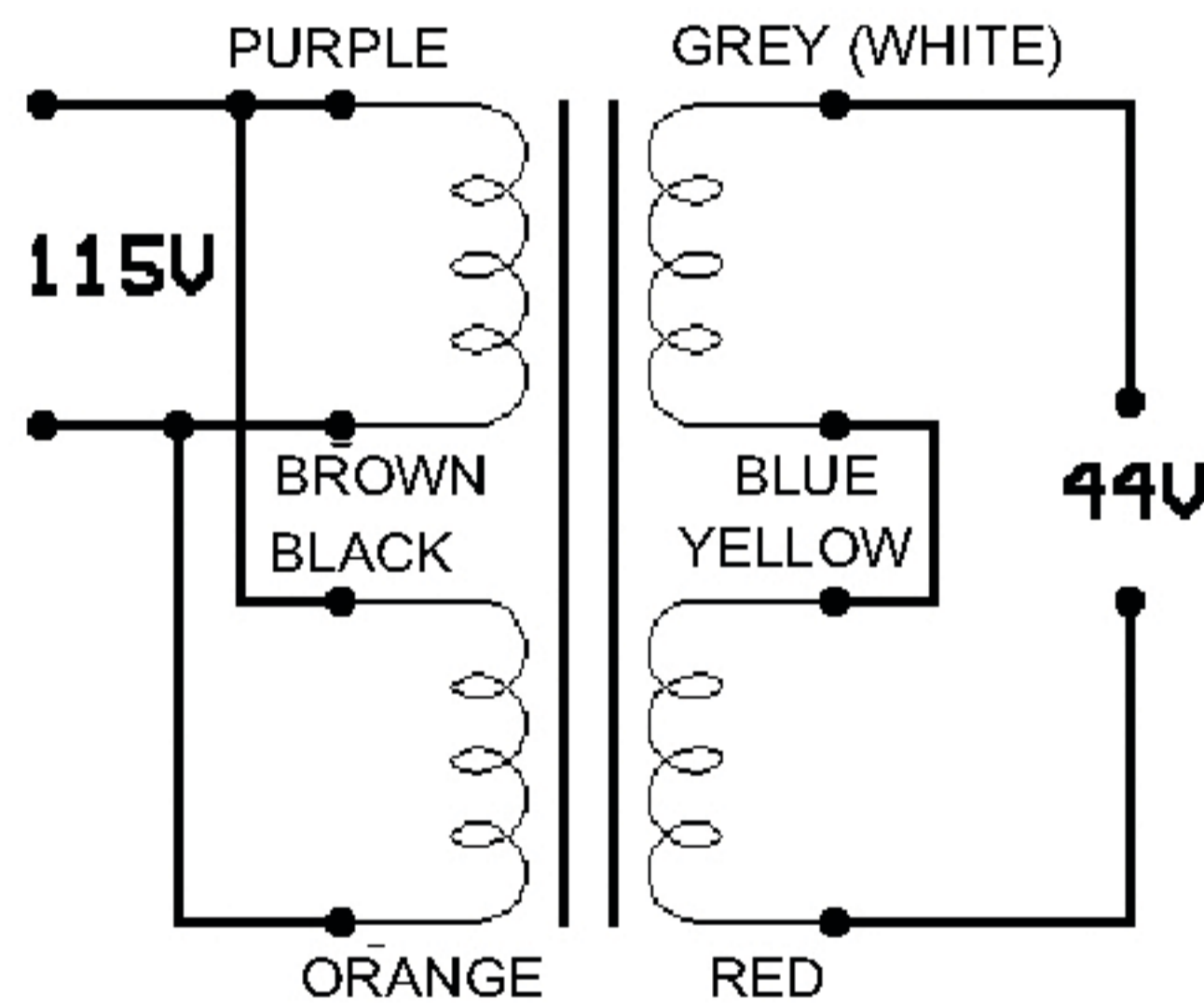
**For the replacement
 transformer part No creeTX44
 only!**



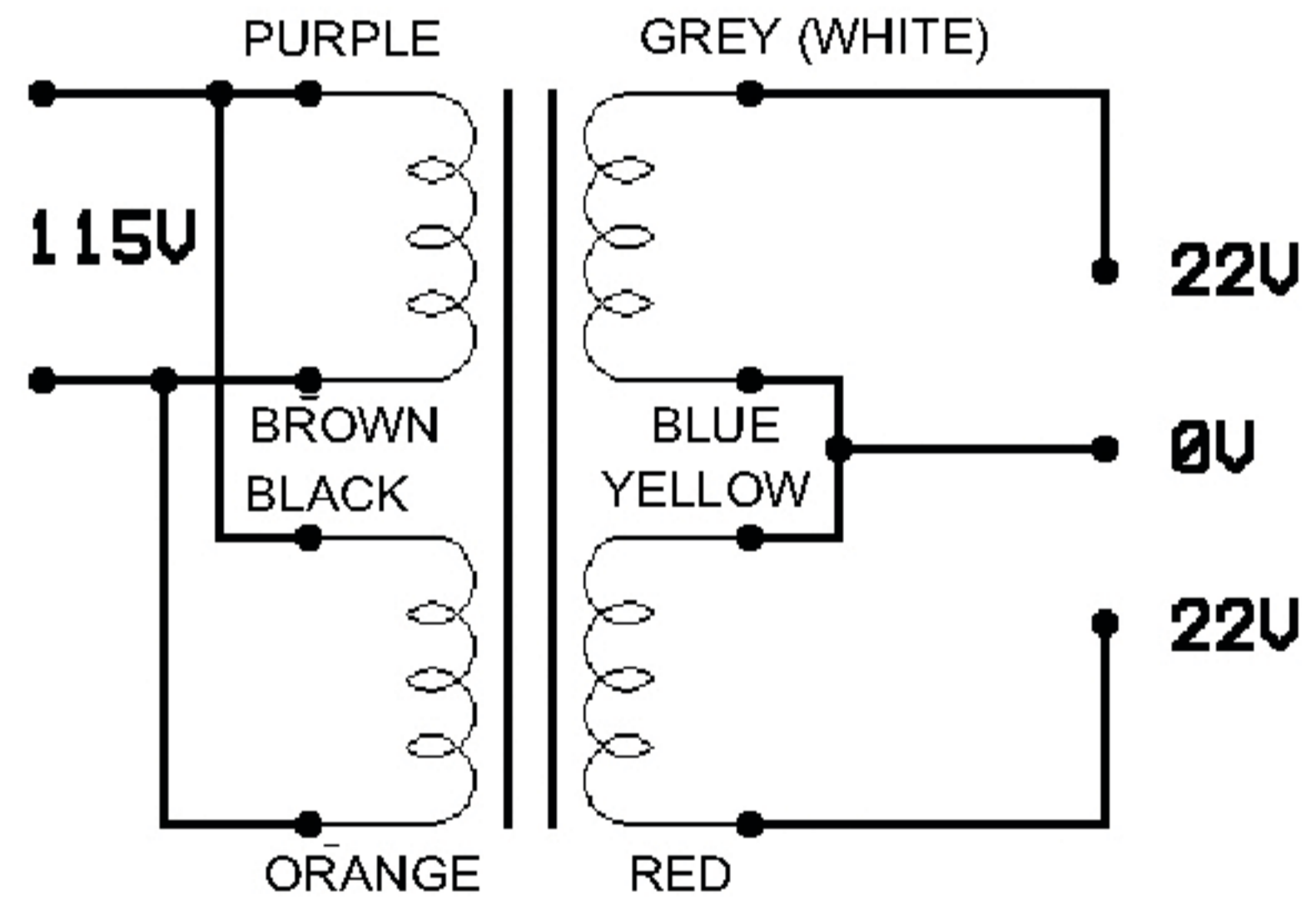
**1) 4040 S1 & S2
 220-240V mains**



**3) 4040 S3
 220-240V mains**



**2) 4040 S1 & S2
 110-120V mains**



**4) 4040 S3
 110-120V mains**