

MODEL	1001A	1501A
	+36VDC	+46VDC
		-36VDC
		-46VDC

**NOTES**

1. J = JUMPER
2. BUSS ON SPEAKER GROUND
3. F1 MOD 1001A 2.5A S.B.  
MOD 1501A 4A M.T.L.
4. C2, C3 MOD 1001A 12000 40V  
MOD 1501A 15000 50V
5. MOD. 1001A CONNECT TO T1-YEL  
MOD. 1501A CONNECT TO T1-RED
6. MOD. 1501A T1-BLU 12VAC TO PROT. BD.

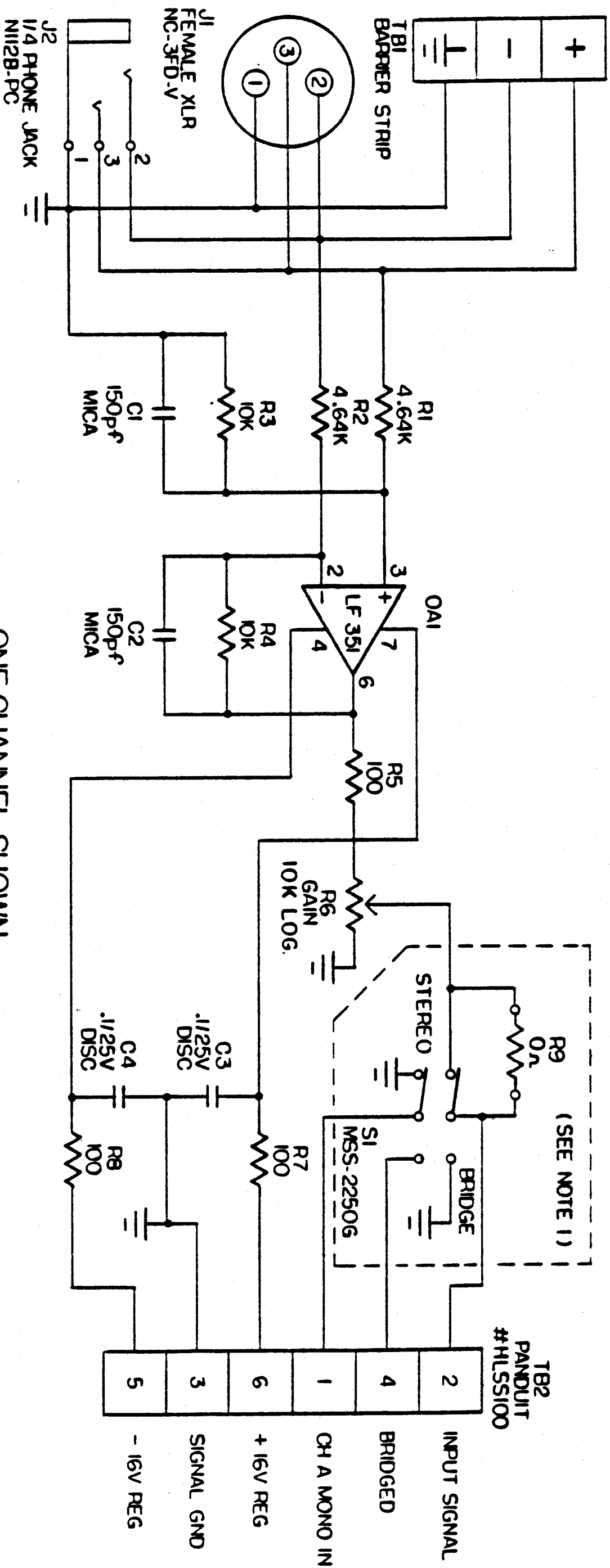
**REV**

**DESCRIPTION**

**DATE**



OWN E.N.	DATE 9/26/85	CREST
APP. J.F.	DATE 10/7/85	MODELS 1001A/1501A
TOL	± 1°	SERIES POWER AMPLIFIERS
FRAC	± 1/100	VOLTAGE CONVERSION AND
MATL		POWER SUPPLY 120V
FINISH		SCHEMATIC DWG
DWG No.	2102799	REV
SCALE	DO NOT SCALE DRAWING	



ONE CHANNEL SHOWN

**NOTES:**

- 1) R9 USED ONLY FOR CHANNEL A INSTEAD OF S1
- SI USED ONLY FOR CHANNEL B INSTEAD OF R9
- 2) RESISTORS 1/4W, 1% UNLESS SPECIFIED

REV	DESCRIPTION	DATE
01	REDESIGN	8/2/84

OWN: JJD	DATE: 8/2/84
APP: J.F.	DATE: 8/15/84
TOL: 02	±1%
ERR: 01	FRAC: 1/100

CREST:  
**POWER AMPLIFIERS**  
 MODEL'S 1001A/1501A SERIES  
 INPUT P.C.B.

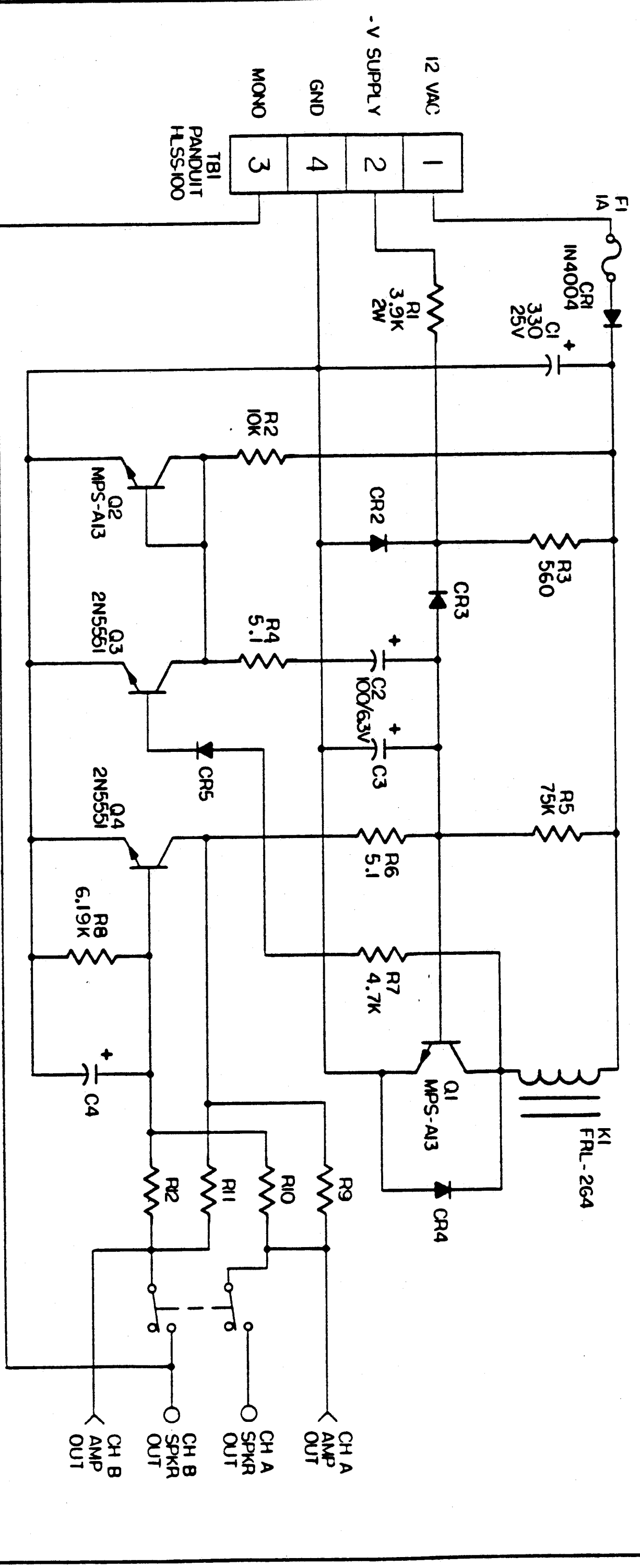
SCHEMATIC

DWG NO: 2102726

REV: 01

SCALE: --- DO NOT SCALE DRAWING

**CREST AUDIO**  
 HAWTHORNE, N.J. 07506



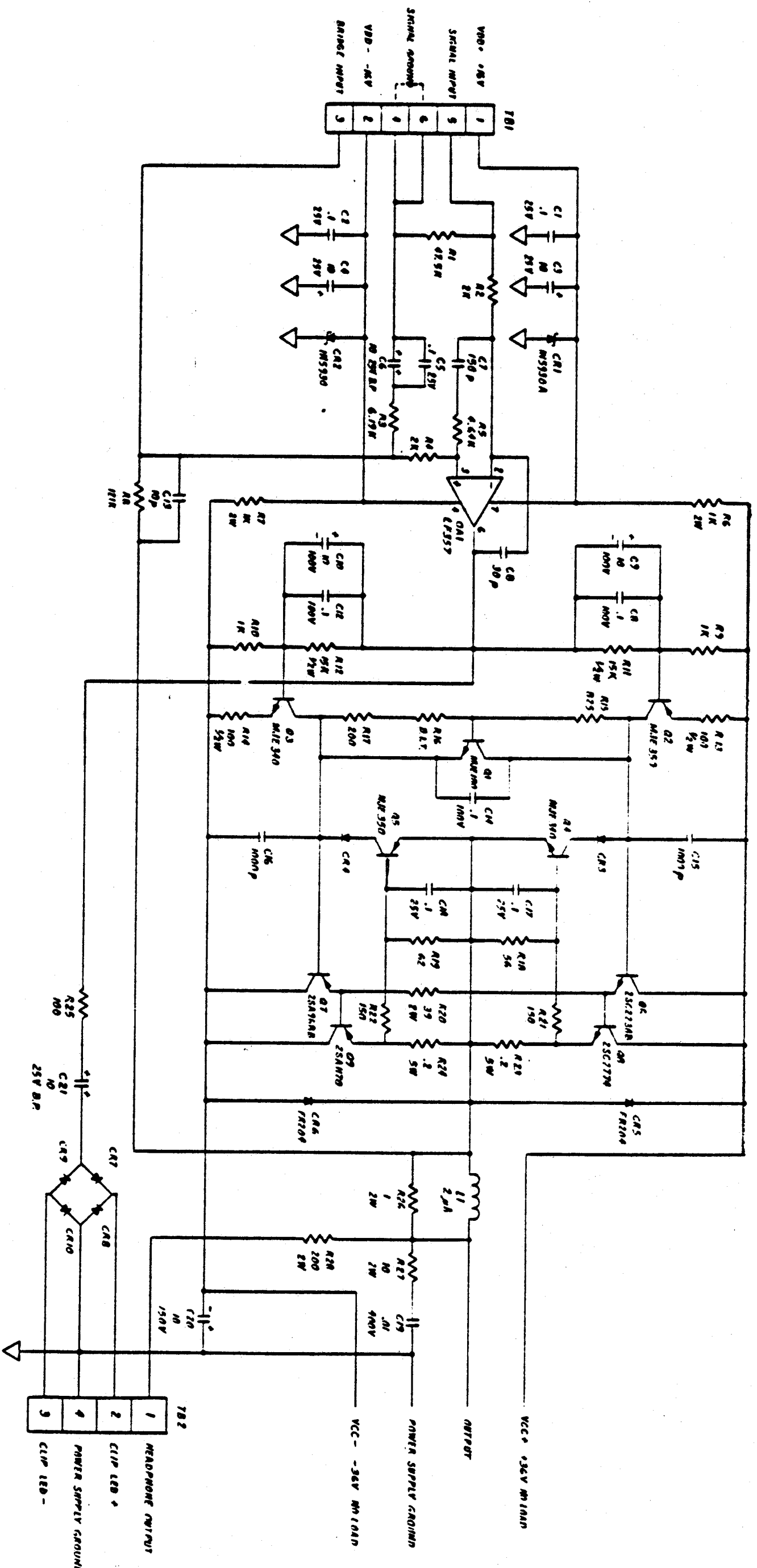
**NOTES:**

- 1) CAPACITOR VALUES IN MFD UNLESS SPECIFIED  
C3, C4 ARE 330/25V
- 2) DIODES IN4148 UNLESS SPEC'F'D
- 3) RESISTORS 1/4W 5% UNLESS SPEC'F'D  
R9-12 ARE 47K

LAST USED	REF DES	REV	DESCRIPTION	DATE	OWN: JJD	DATE: 8/10/84	CREST:
USED	NOT USED	01	C3,4 FROM 100/63 TO 330/25	2/13/85	APP: T.F.	DATE: 8/15/84	MODEL'S 1501A SERIES
CR5					TOL: ± 0.02	± 1°	PROJECT P.C.B.
F1					FRAC: 1/64		
K1					MATL:		
RI2					FINISH:		
TBI					SCHAEMATIC		DWG NO: 2102727
Q4					SCALE: ---		DO NOT SCALE DRAWING

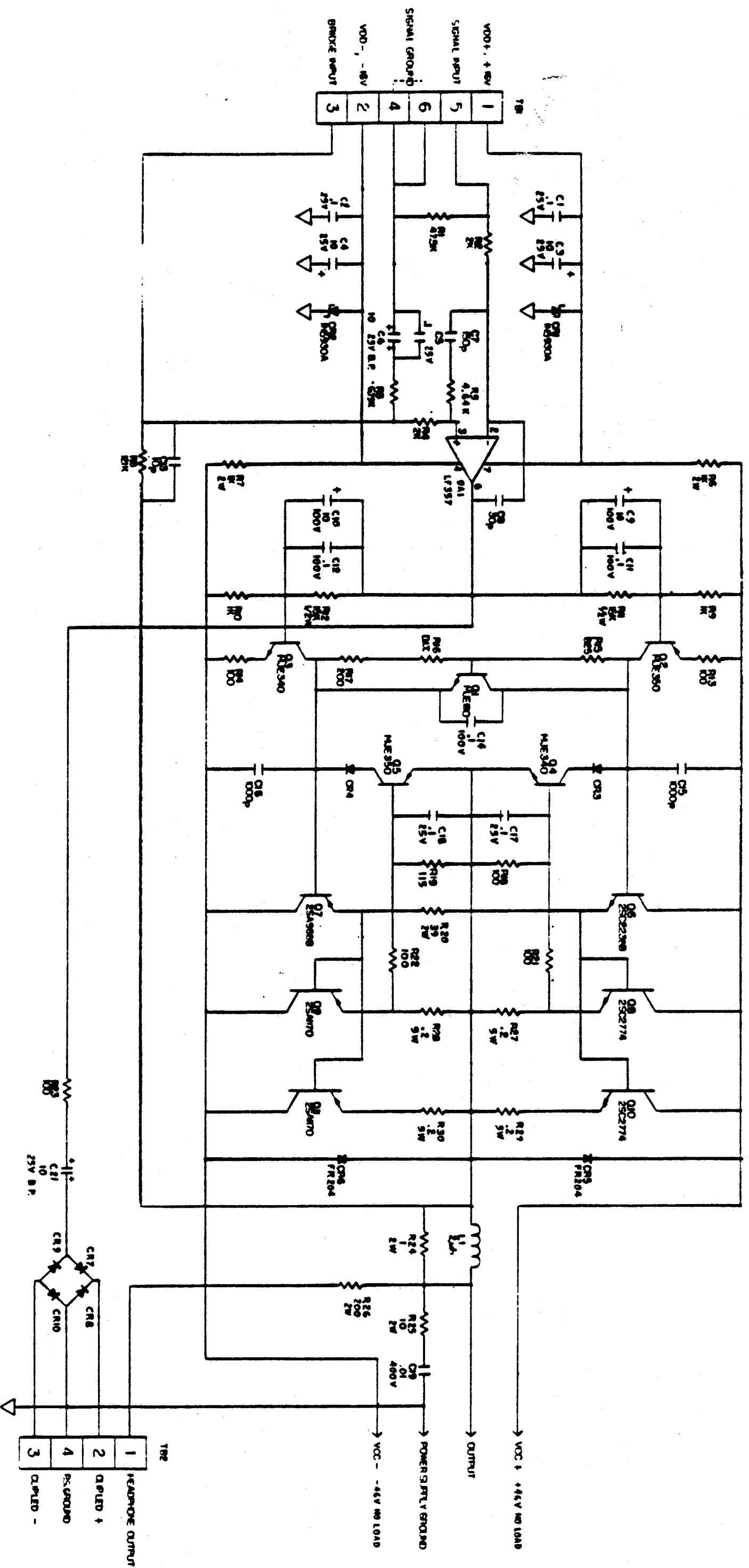


PROJECT P.C.B.  
 MODEL'S 1501A SERIES  
 POWER AMPLIFIERS  
 PROJECT P.C.B.  
 SCHAEMATIC  
 DWG NO: 2102727  
 REV: C1



COMP. NOT INSTALLED BY	LAST REF. DESIG.	NOT USED	NOTES	REV	DESCRIPTION	DATE
OUTSIDE WINDOW	USED		1. UNLESS SPECIFIED OTHERWISE - CAPACITORS ARE IN PFD P = PICOFARAD - DIODES ARE M4148 - RESISTORS ARE 1/4 W 1% 2. Q1, Q2 - Q9 MOUNTED ON MAIN HEATSINK			
	C21					
	C10					
	L1					
	Q1					
	R20					
	Q9					
	T82					

**CREST AUDIO**  
 MOKI 1001A  
 POWER AMPLIFIER  
 HEATSINK MODULE  
 SCHEMATIC DWG  
 2104806



COMP. NOT INSTALLED BY	LAST REF DES.	NOTES	REV DESCRIPTION	DATE
OUTSIDE VENDOR	USED	II CASE VALUE IN PARADISE SPECIFIED 4P IN PROFORMA BIDDERS MAKE UNLESS NOTED ALIQU 3 RESISTORS 1W, 1/2 W, 1/4 W Q1-Q11, MOUNTED ON HEAT SINK		

REV	DATE	DESCRIPTION
1	1/1/78	SCHEMATIC DWG
2	1/1/78	SCHEMATIC DWG
3	1/1/78	SCHEMATIC DWG
4	1/1/78	SCHEMATIC DWG
5	1/1/78	SCHEMATIC DWG
6	1/1/78	SCHEMATIC DWG
7	1/1/78	SCHEMATIC DWG
8	1/1/78	SCHEMATIC DWG
9	1/1/78	SCHEMATIC DWG
10	1/1/78	SCHEMATIC DWG
11	1/1/78	SCHEMATIC DWG
12	1/1/78	SCHEMATIC DWG
13	1/1/78	SCHEMATIC DWG
14	1/1/78	SCHEMATIC DWG
15	1/1/78	SCHEMATIC DWG
16	1/1/78	SCHEMATIC DWG
17	1/1/78	SCHEMATIC DWG
18	1/1/78	SCHEMATIC DWG
19	1/1/78	SCHEMATIC DWG
20	1/1/78	SCHEMATIC DWG
21	1/1/78	SCHEMATIC DWG
22	1/1/78	SCHEMATIC DWG
23	1/1/78	SCHEMATIC DWG
24	1/1/78	SCHEMATIC DWG
25	1/1/78	SCHEMATIC DWG
26	1/1/78	SCHEMATIC DWG
27	1/1/78	SCHEMATIC DWG
28	1/1/78	SCHEMATIC DWG
29	1/1/78	SCHEMATIC DWG
30	1/1/78	SCHEMATIC DWG
31	1/1/78	SCHEMATIC DWG
32	1/1/78	SCHEMATIC DWG
33	1/1/78	SCHEMATIC DWG
34	1/1/78	SCHEMATIC DWG
35	1/1/78	SCHEMATIC DWG
36	1/1/78	SCHEMATIC DWG
37	1/1/78	SCHEMATIC DWG
38	1/1/78	SCHEMATIC DWG
39	1/1/78	SCHEMATIC DWG
40	1/1/78	SCHEMATIC DWG
41	1/1/78	SCHEMATIC DWG
42	1/1/78	SCHEMATIC DWG
43	1/1/78	SCHEMATIC DWG
44	1/1/78	SCHEMATIC DWG
45	1/1/78	SCHEMATIC DWG
46	1/1/78	SCHEMATIC DWG
47	1/1/78	SCHEMATIC DWG
48	1/1/78	SCHEMATIC DWG
49	1/1/78	SCHEMATIC DWG
50	1/1/78	SCHEMATIC DWG

CREST AUDIO  
MODEL 1501A SET  
POWER AMPLIFIER  
HEAT SINK MODUL  
SCHEMATIC DWG  
2104609