

T1 ... T7, T9



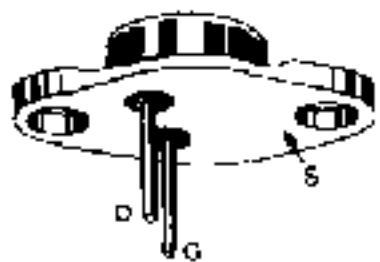
C B E

T8, T10

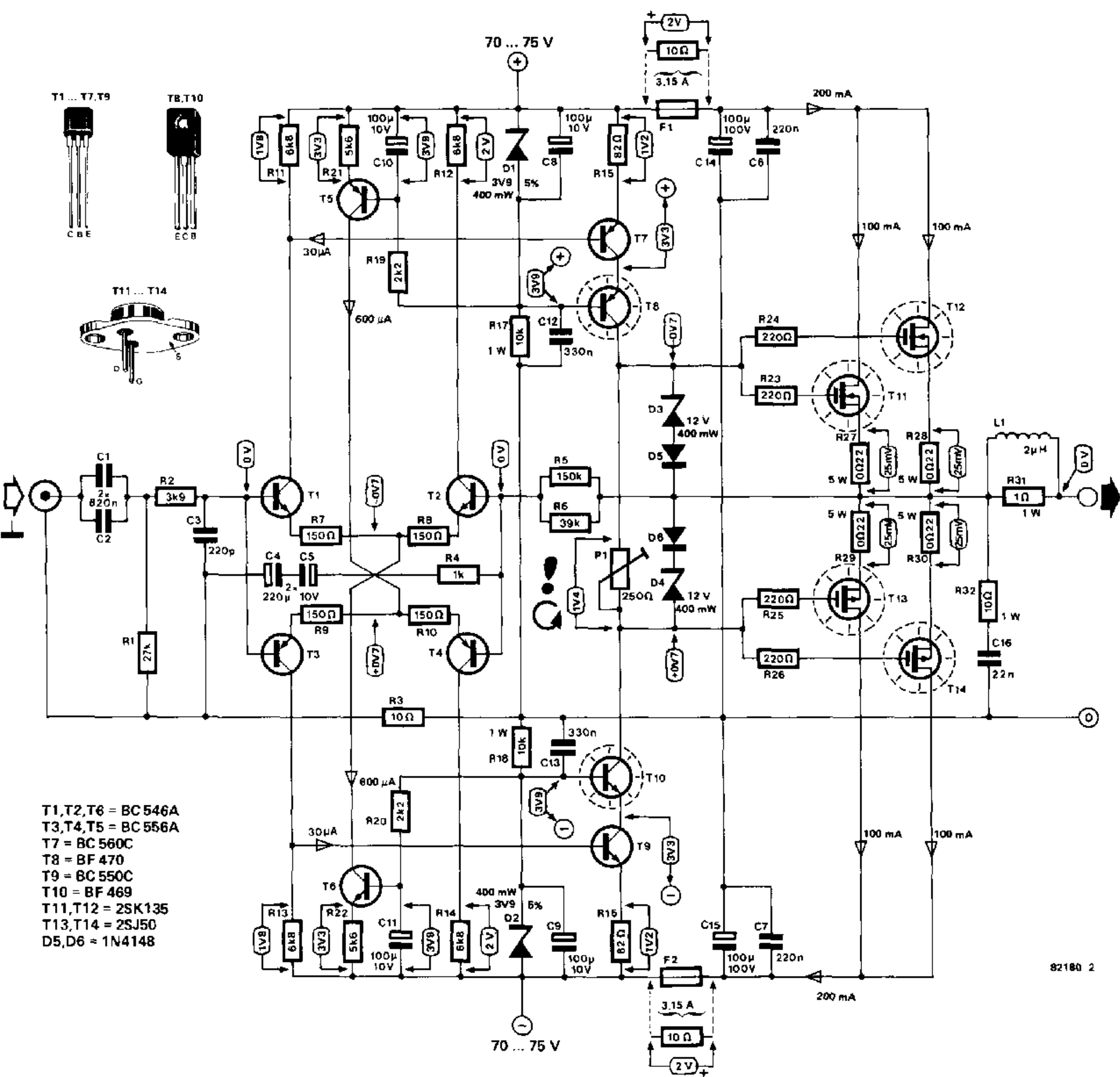


E C B

T11 ... T14



D G S



- T1, T2, T6 = BC 546A
- T3, T4, T5 = BC 556A
- T7 = BC 560C
- T8 = BF 470
- T9 = BC 550C
- T10 = BF 469
- T11, T12 = 2SK135
- T13, T14 = 2SJ50
- D5, D6 = 1N4148