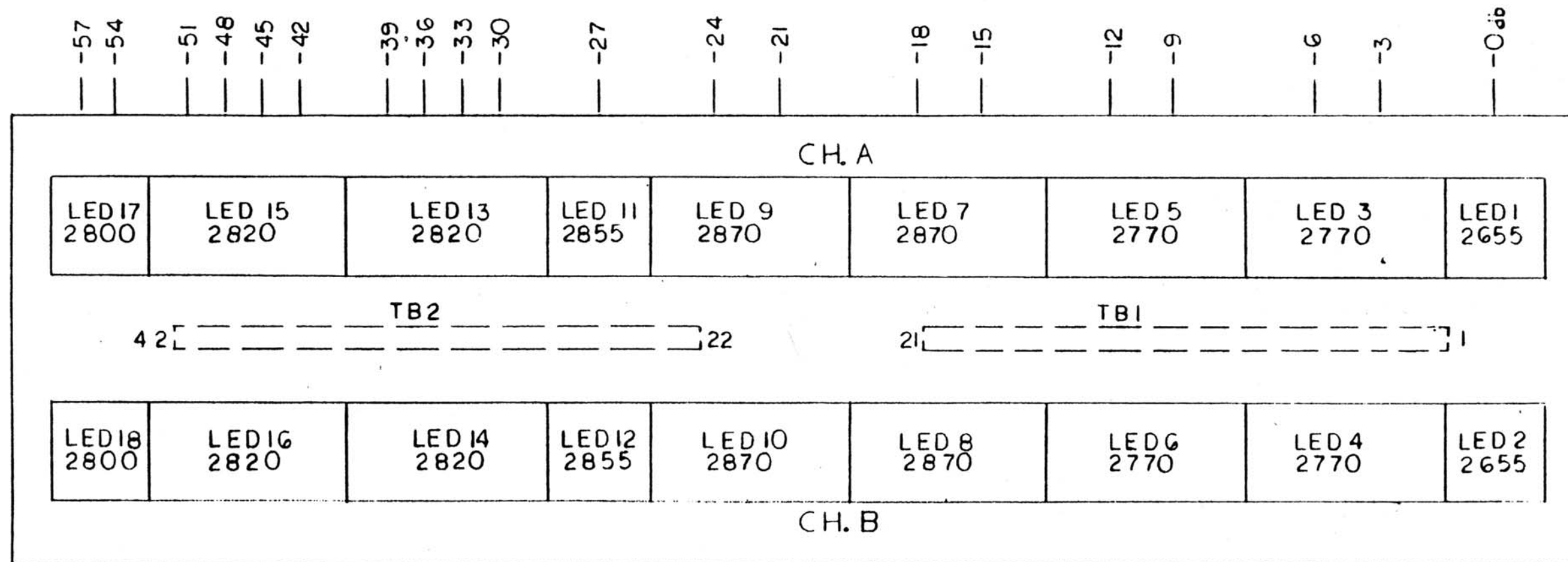


COMP. NOT INSTALLED BY OUTSIDE VENDOR	LAST REF. DES.		NOTES	REV.	DESCRIPTION	DATE
	USED	NOT USED				
	C6		1. J = JUMPER 2. FAN SENSOR LOCATED ON HEATSINK MODULE 3. SEE INSET FOR 100V TB1/T1 CONNECTIONS 110V AND 120V XFMR TAB A = 120V B = 110V 4. UNUSED XFMR TAB PER WINDING GOES TO TB1 PINS 1 & 5 5. MODELS 3000/3001 C1,C2,C3,C4 15000 80V MODELS 4000/4001 C1,C2,C3,C4 20000 90V			
	CB1					
	CR2					
	R1					
	S1					
	T1					
	TB3					

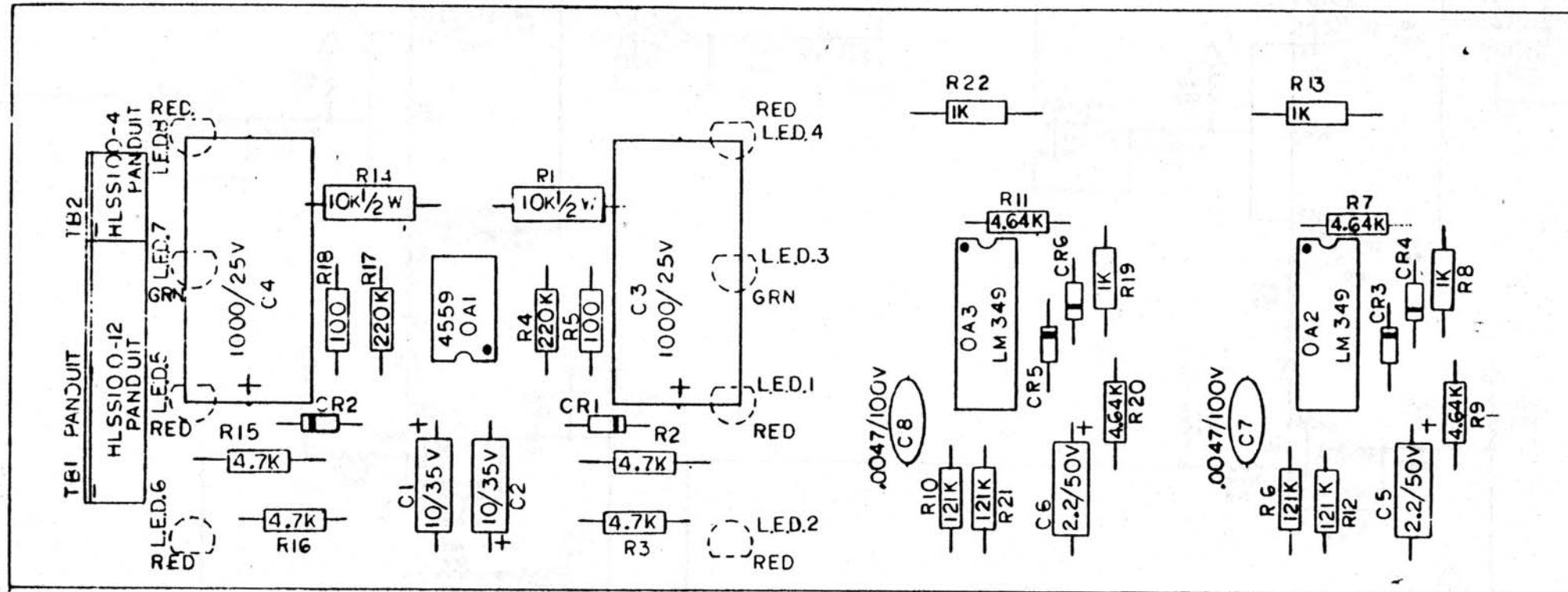
CREST AUDIO HAWTHORNE, N.J. 07506	
DWN: E.H.	DATE: 9/24/85
APP: J.E.	DATE: 11/18/85
TOL: ±.02 < ±.1°	±.01 FRACT. 2/104
MATL:	
FINISH:	
DWG. NO. 2103796	REV.
SCALE — DO NOT SCALE DRAWING	



NOTES

- 1) COMPONENT SIDE UP
- 2) RED = LED 1-2
YEL = LED 3-6
GRN = LED 7-18
- 3) TBI & 2 MOUNT ON SOLDER SIDE

REV	DESCRIPTION	DATE	CREST AUDIO HAWTHORNE, N.J. 07506		
02	REDESIGN & REDRAW	10/26/83	DWN: E.C.	DATE: 10/26/83	CREST: MODEL 3000/3001/4000 4001 POWER AMPLIFIERS METER ARRAY P.C.B. ASSEMBLY DWG.
			APP: I.F.	DATE: 2/6/84	
			TOL: XX: ±.02 Z: ±1° XXX: ±.01 FRACT: ±1/64		
			MATL:		
			FINISH:	DWG. No.: 2202370	REV: 02
			SCALE:		DO NOT SCALE DRAWING



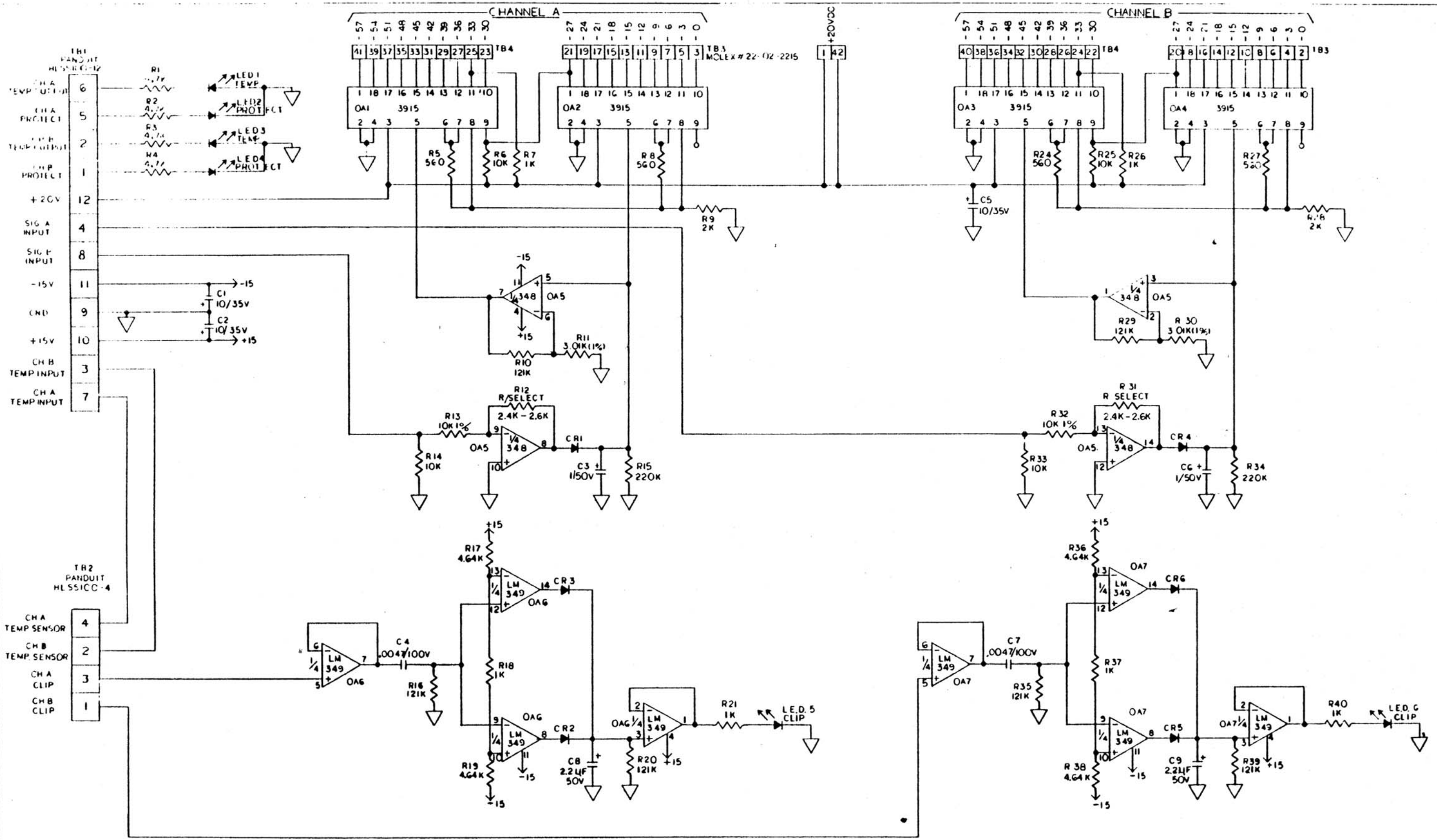
COMP. NOT INSTALLED BY
OUTSIDE VENDOR

LAST REF DES	
USED	NOT USED
C8	
CR 6	CR3 CR5 <input checked="" type="checkbox"/>
LED 9	
OA 3	
R22	R6, 8, 9, 21, 22 <input checked="" type="checkbox"/>
T B2	

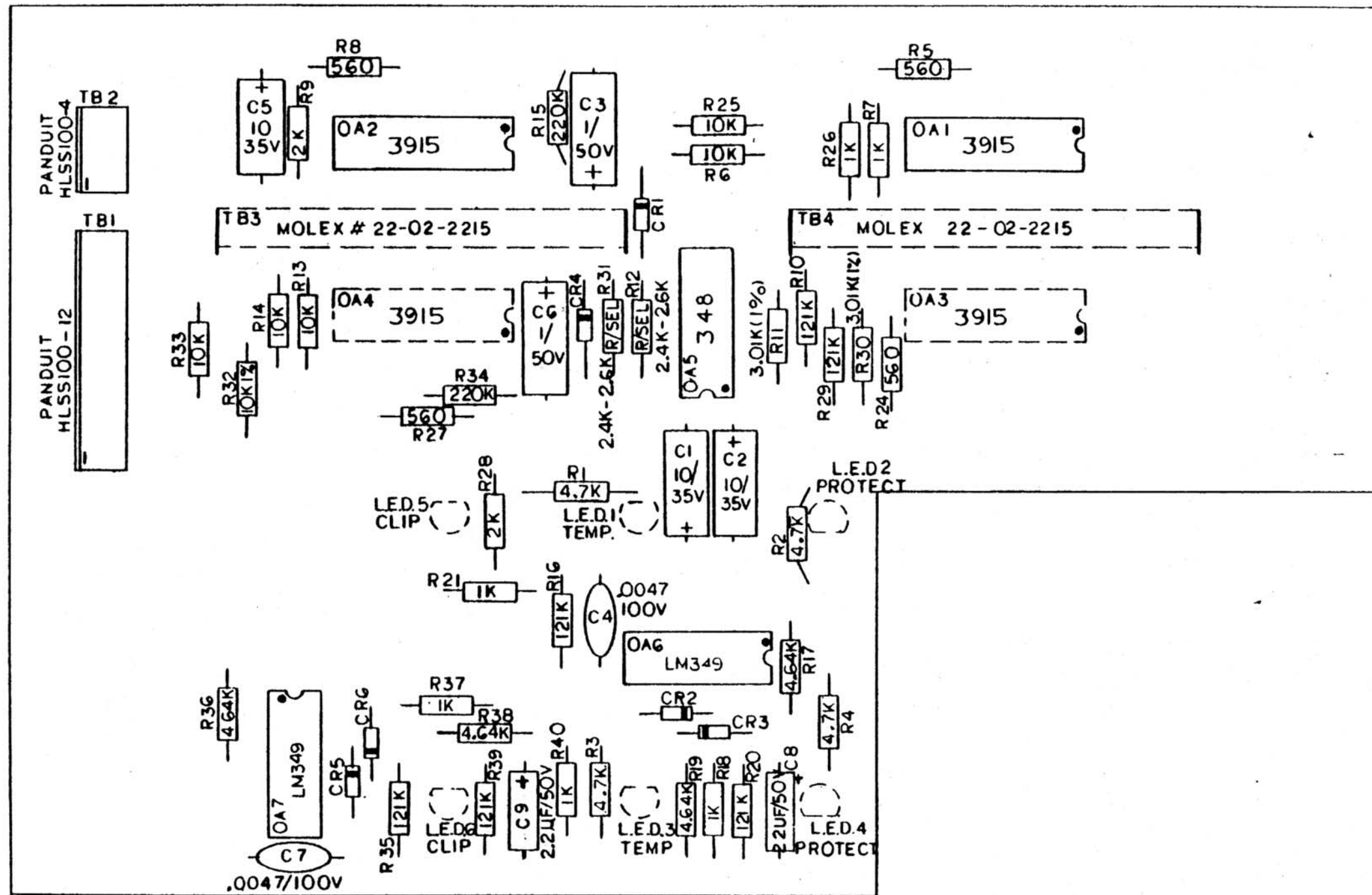
NOTES =
 1) ALL RESISTORS 1/4W, UNLESS OTHERWISE SPECIFIED
 2) ALL DIODES 4148, UNLESS OTHERWISE SPECIFIED
 3) ALL CAPACITORS ELECTROLYTIC, UNLESS OTHERWISE SPECIFIED

REV	DESCRIPTION	DATE
01	R1-R14 FROM 1/4W TO 1/2W	10-26/83
02	SEE NOT USED . ADD C7, C8, R10, R23 FROM D.I.T. TO 300 R7 R20 FROM D.I.T. TO 121K	11/30/83
03	R1, R13, R14, R26 FROM 820 1/2W TO 1K 1W (C.F.) — R17, R4 FROM 242K TO 220K	12/6/83
04	REDESIGN P.C.B.	12/13/83
05	REVERSE POLARITY LED2, 6	4/24/84

DALLAS MUSIC INDUSTRIES HAWTHORNE, N.J. 07508			
OWN: E.C.	DATE: 7/29/83	CREST:	
APP: I.F.	DATE: 2/2/84	MODELS: 3001/4001 SERIES POWER AMPLIFIERS	
TOL: ±.02	±.1°	L.E.D. P.C.	
FRAC: ±1/64		ASSEMBLY	
MATL:		DWG N°	REV



COMP. NOT INSTALLED BY OUTSIDE VENDOR		LAST REF DES		NOTES:	REV	DESCRIPTION	DATE	DALLAS MUSIC INDUSTRIES NORTHWIND, N.J. 07061	
USED	NOT USED	USED	NOT USED					E.C.	*REV 31/83
				1) ALL RESISTORS 1/4 W UNLESS OTHERWISE SPECIFIED 2) ALL DIODES IN 4148 UNLESS OTHERWISE SPECIFIED 3) ALL 10K RESISTOR 1% UNLESS OTHERWISE SPECIFIED 4) REV 1, 2, SEE DWG. 2104645-02 (OBSOLETE FILE)	O1	SEE NOT USED. ADD C8, C9, R36, R17 FROM D.I.T. TO 300	11/30/83		
					O2	R1, R2, R3, R4, R25, R42 FROM 820 1/2 W TO 1K 1/4 W (C.F.) R22, R41 FROM 43K TO 121K	12/6/83		MODELS: 4000/3000 SERIES POWER AMPLIFIERS
					O3	REDESIGN P.C.B.	12/29/83		MAIN INTER P.C.B.
					O4	REVERSE POLARITY LED 2, 4 R2, 2.3, 4.1K TO 4.7K	4/24/84		SCHEMATIC DWG
								DATE	
								FINISH	
									SCALE
									DO NOT SCALE DRAWING



COMP. NOT INSTALLED BY
OUTSIDE VENDOR

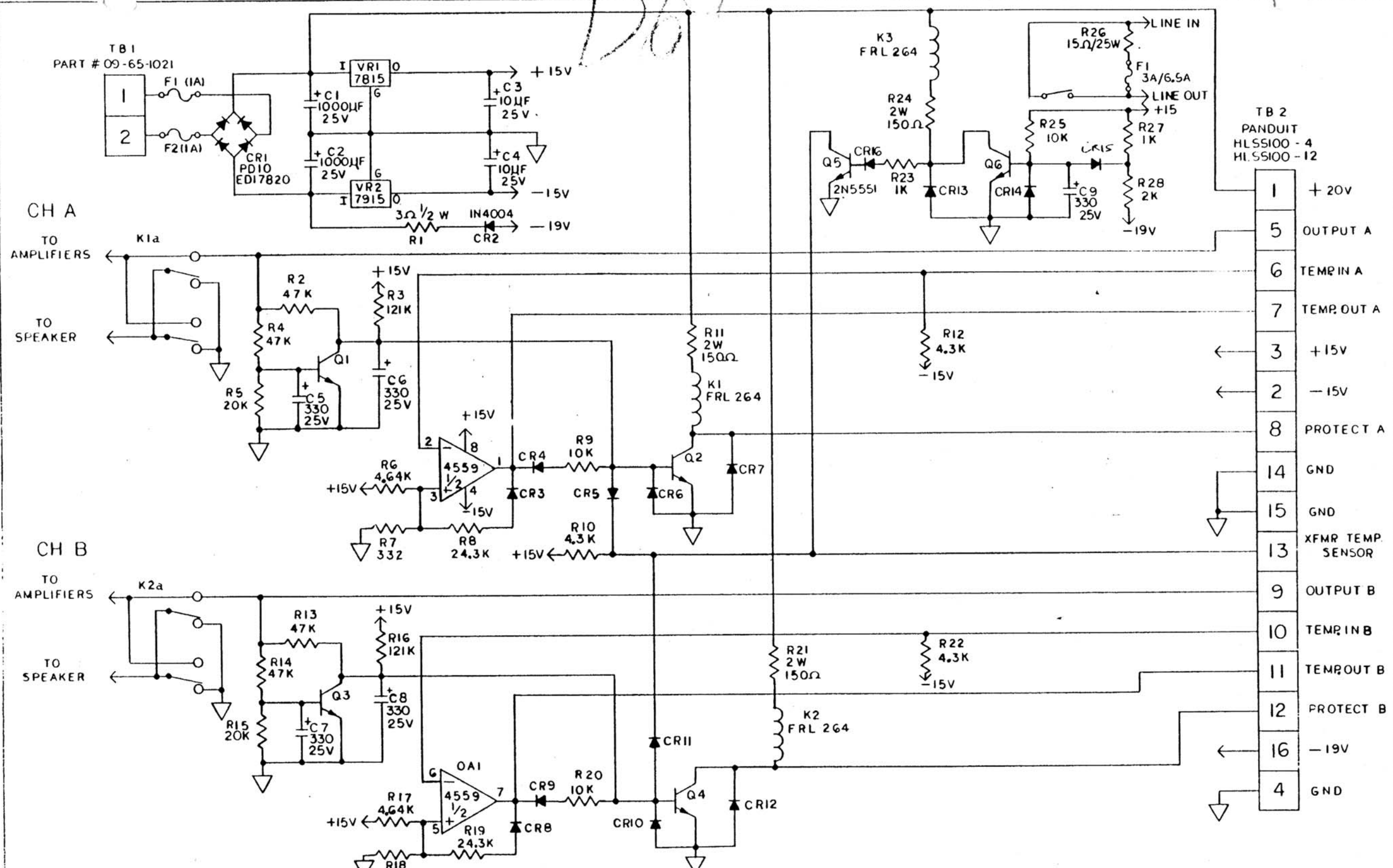
LAST REF DES	
USED	NOT USED
C9	
CR6	
OA7	
L.E.D.6	
R40	R22, R23
TB4	

NOTES

- 1) ALL RESISTORS $\frac{1}{4}$ W UNLESS OTHERWISE SPECIFIED
- 2) ALL DIODES IN 4148 UNLESS OTHERWISE SPECIFIED
- 3) ALL 10K RESISTORS 1% UNLESS OTHERWISE SPECIFIED
- 4) REV 1, 2 SEE DWG 2204645-02 (OBSOLETE FILE)

REV	DESCRIPTION	DATE
03	REDESIGN P.C.B. & REDRAW DWG	12/28/83
04	REVERSE POLARITY LED 2, 4 R1, 2, 3, 4 - 1K TO 4.7K	4/24/84

DALLAS MUSIC INDUSTRIES HAWTHORNE, N.J. 07506			
DWN: E.C.	DATE: 12/28/83	CREST:	
APP: I.F.	DATE: 2/2/84	MODELS: 4000/3000 SERIES POWER AMPLIFIERS	
TOL: ± 1.02 < ± 1° ± 2.01 FRACT ± 1/64		MAIN METER P.C.B.	
MATERIALS:		ASSEMBLY	
FINISH	DWG NO: 2203645	REV 04	



COMP NOT INSTALLED BY
OUTSIDE VENDOR

LAST REF. DES	
USED	NOT USED
C9	
CR16	
K3	
OA1	
Q6	
R28	
TB2	

NOTES

- 1) ALL RESISTOR 1/4 W, 1% UNLESS OTHERWISE SPECIFIED
- 2) ALL DIODES IN 414B UNLESS OTHERWISE SPECIFIED
- 3) ALL TRANSISTORS MPSA13 UNLESS OTHERWISE SPECIFIED
- 4) REV-00, SEE DWG # 2104677-00(OBSOLETE FILE)

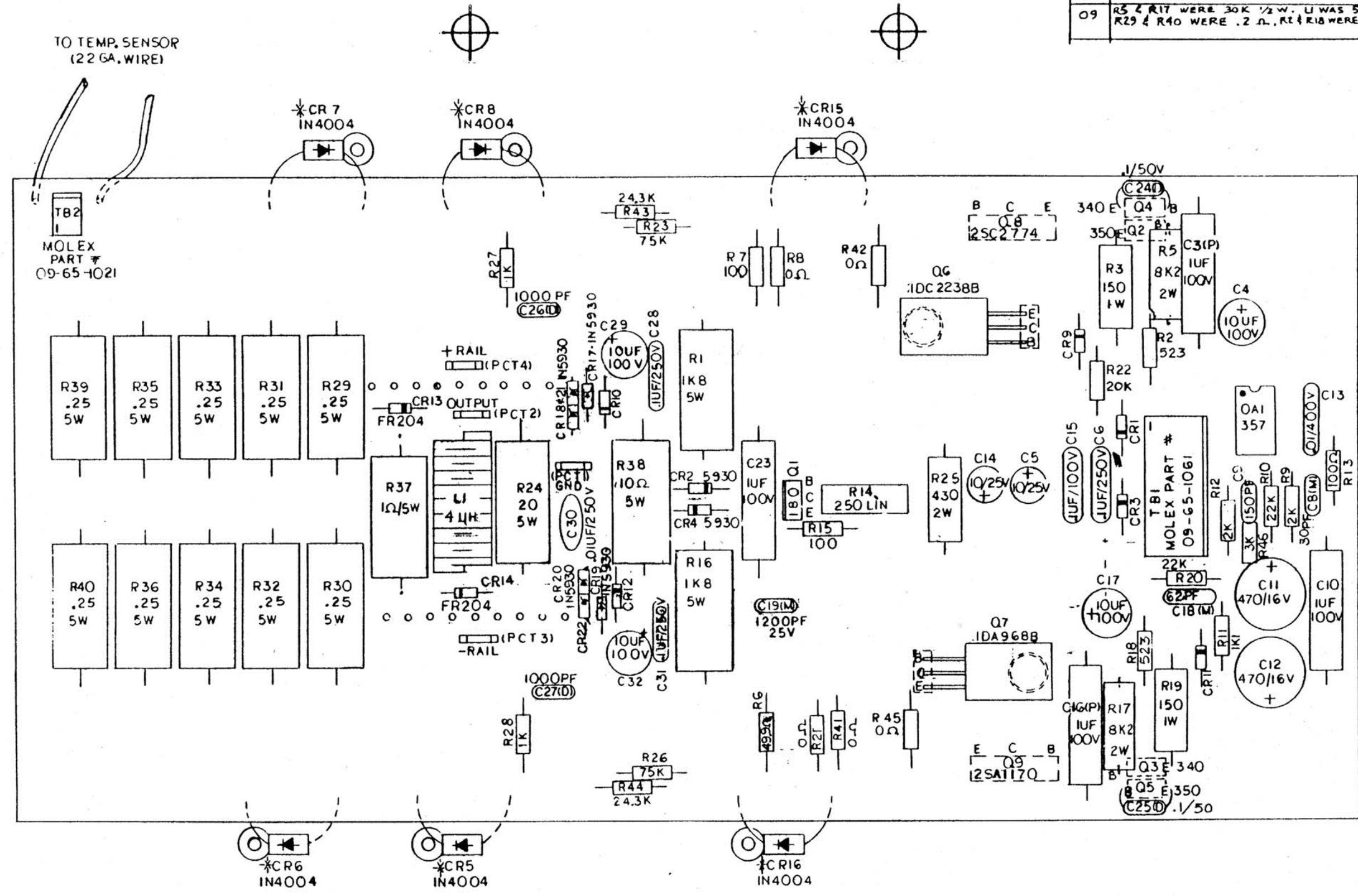
REV	DESCRIPTION	DATE
01	REDESIGN P.C.B.	3/13/84
02	CHANGE RB, R19 FROM 20K TO 24.3K	3/23/84

DALLAS MUSIC INDUSTRIES
HAWTHORNE, N.J. 07508

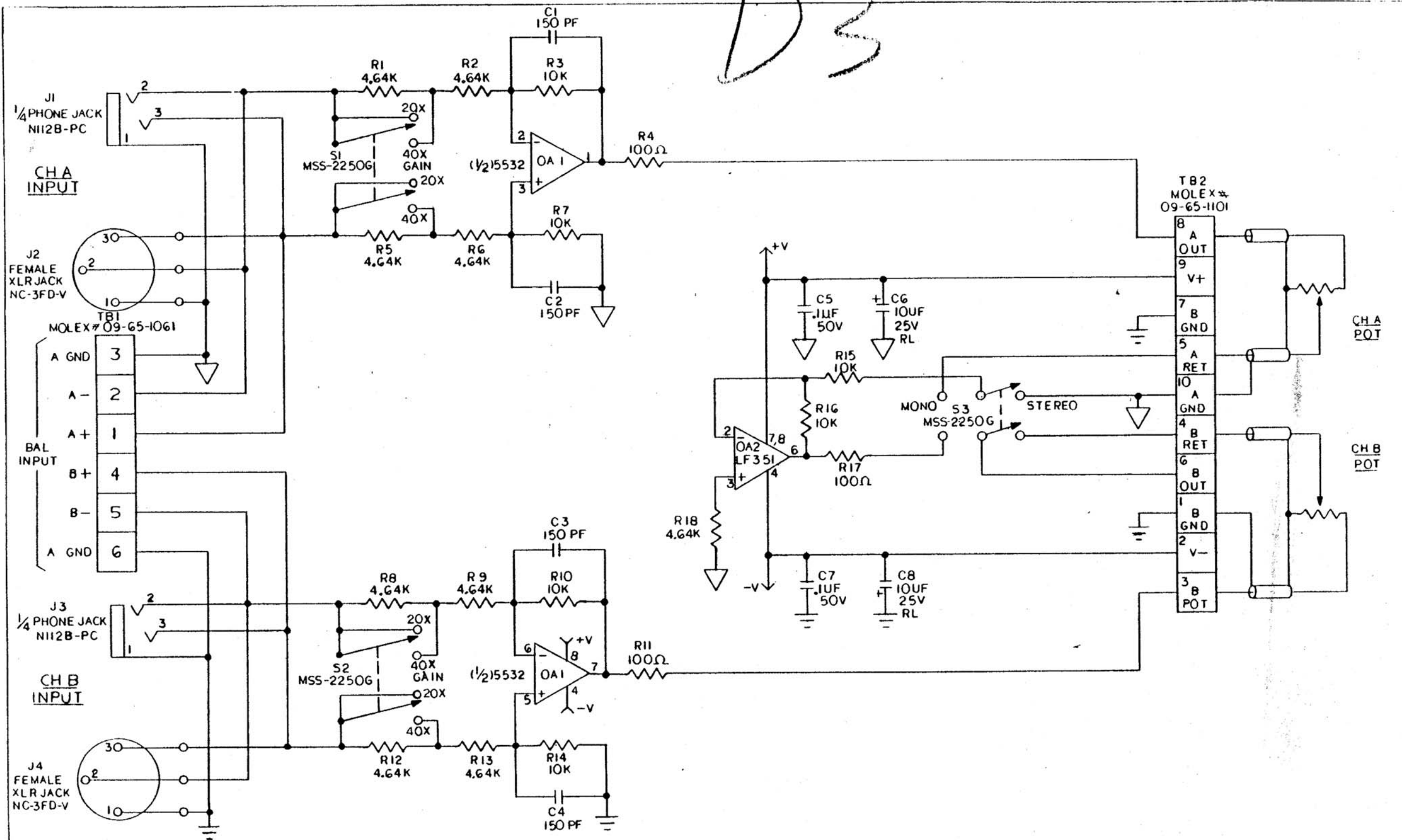
DWN: E.C.	DATE: 3/13/84	CREST: MODELS 4000/4001/3000/3001 POWER AMPLIFIERS RELAY/PROTECT P.C.B. SCHEMATIC DWG
APP:	DATE:	
TOL: ± 0.2 < ± 1° ± 0.1 FRACT 2/64		
FINISH:		

DWG N. 2103677 REV. 02

REV	DESCRIPTION	DATE
09	R5 & R17 WERE 30K 1/2 W. L1 WAS 5μH R29 & R40 WERE .2 Ω, R1 & R18 WERE 2K	12/1/85

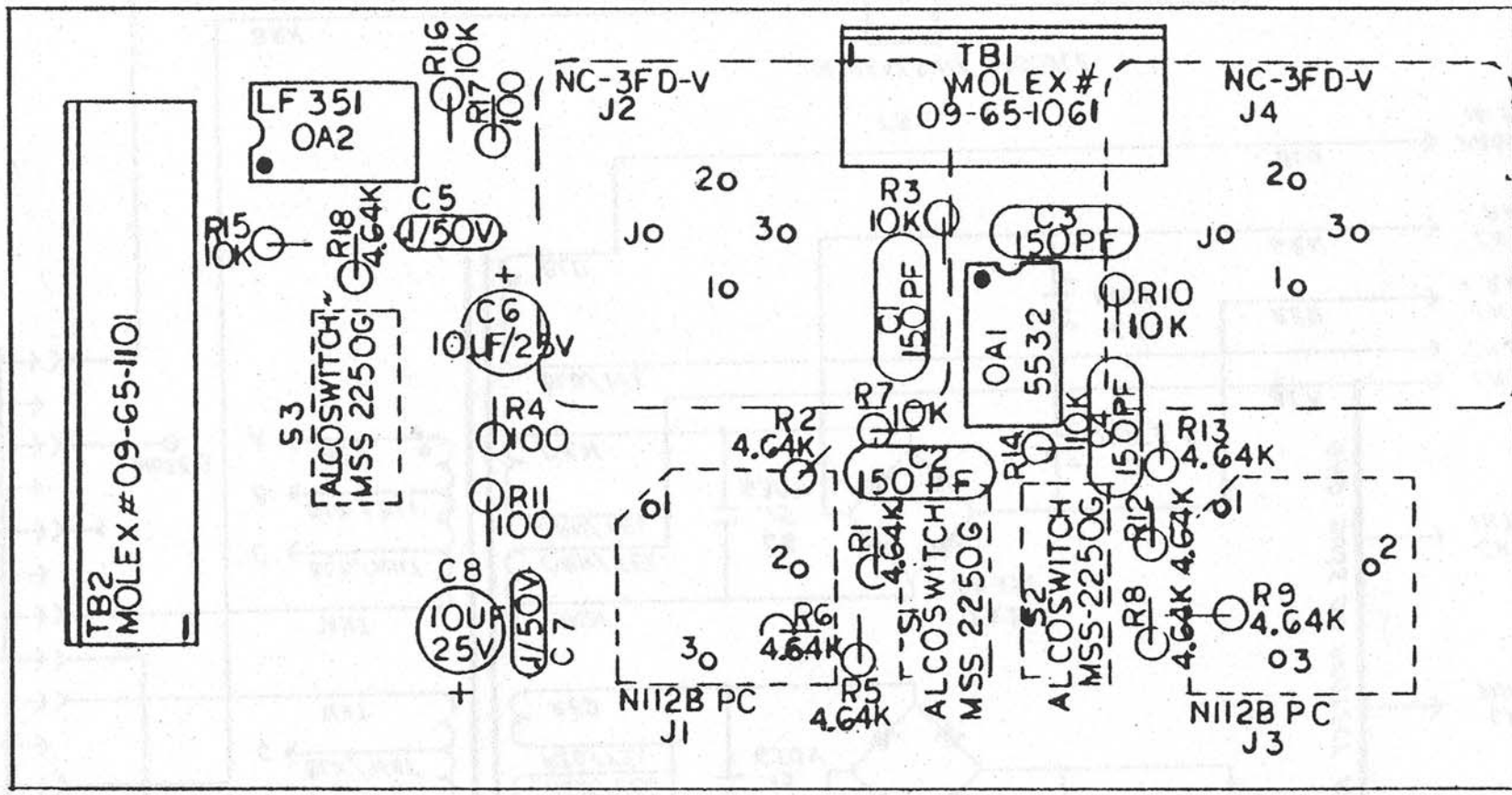


COMP NOT INSTALLED BY OUTSIDE VENDOR	LAST REV DES		NOTES	REV	DESCRIPTION	DATE	DALLAS MUSIC INDUSTRIES HAWTHORNE, N.J. 07506	
	USED	NOT USED					DWN: E.C. 9/8/84	CREST
CR 5, 6, 7, 8, 15, 16	C 32	CI, 2, 20, 21, 22,	1) ALL RESISTORS 1/4 W, 1% UNLESS OTHERWISE SPECIFIED 2) CAPACITORS = (D) DISC, (M) MICA, (P) POLY. 3) * - PARTS ON HEATSINK 4) ALL DIODES IN4148 UNLESS OTHERWISE SPECIFIED 5) REV 1, 2, 3, 4, 5, SEE DWG # 2104643-05 (OBSOLETE FILE) @ Q6 & Q7 ATTACH WITH PEM NUT # KFS2	06	REDESIGN P.C.B. & REDRAW DWG TO "C" SIZE	1/6/83	APP: I.F. DATE: 6/2/84	MODELS: 3000/3001 SERIES POWER AMPLIFIERS
C 2, 3, 4, 5, 6, 7, 8, 9	CR 20			07	ADD RESISTORS # 42, 45 5Ω ADD RESISTORS # 43, 44 (24.3K) ADD DIODES # 17, 19 (1N5930) ADD DIODES # 18, 20 (1N1786) REMOVE CAP # 22 (1000 PF) (D) CHANGE R13 FROM 3KΩ TO 100Ω CHANGE R25 FROM 430Ω 2W TO 200Ω 2W CHANGE C8 FROM 30 PF TO 62PF CHANGE R27, 28 FROM 100 TO 1K CHANGE R23, 26 FROM 6K8 TO 75K	2/15/84		HEATSINK P.C.B.
TB 2	L1							ASSEMBLY DWG.
	Q1							
	Q19							
	R45							
	TB 3							
				OR	CB-30, CR18, 20-1N5930, R10-450, ADD CR21, 22, R44	4/25/84		DWG NO: 22
								SCALE: 2:1 NOT SCALE DRAWING



COMP NOT INSTALLED BY OUTSIDE VENDOR	LAST REF DES		NOTES	REV	DESCRIPTION	DATE	DALLAS MUSIC INDUSTRIES HAWTHORNE, N.J. 07508	
	USED	NOT USED					DWN E.C.	DATE
J2, J4 S1, S2, S3	C8		ALL RESISTOR 1/4W AND 1% UNLESS OTHERWISE SPECIFIED	01	REDESIGN & REDRAW	11/17/83	APP. I.J.F.	DATE 1/5/84
	J4						TOL. ± 0.2% < ± 1%	CREST
	OA2						± 0.1% FRACT ± 1/64	MODELS: 3000/3001/4000/4001
	R18						MATL	POWER AMPLIFIERS
	S3						FINISH	INPUT P.C.B.
	TB2							SCHEMATIC DWG
							DWG NO. 2103641	REV 01
							SCALE DO NOT SCALE DRAWING	

NOTES ALL RESISTOR 1/4 W -
AND 1% UNLESS OTHERWISE
SPECIFIED.

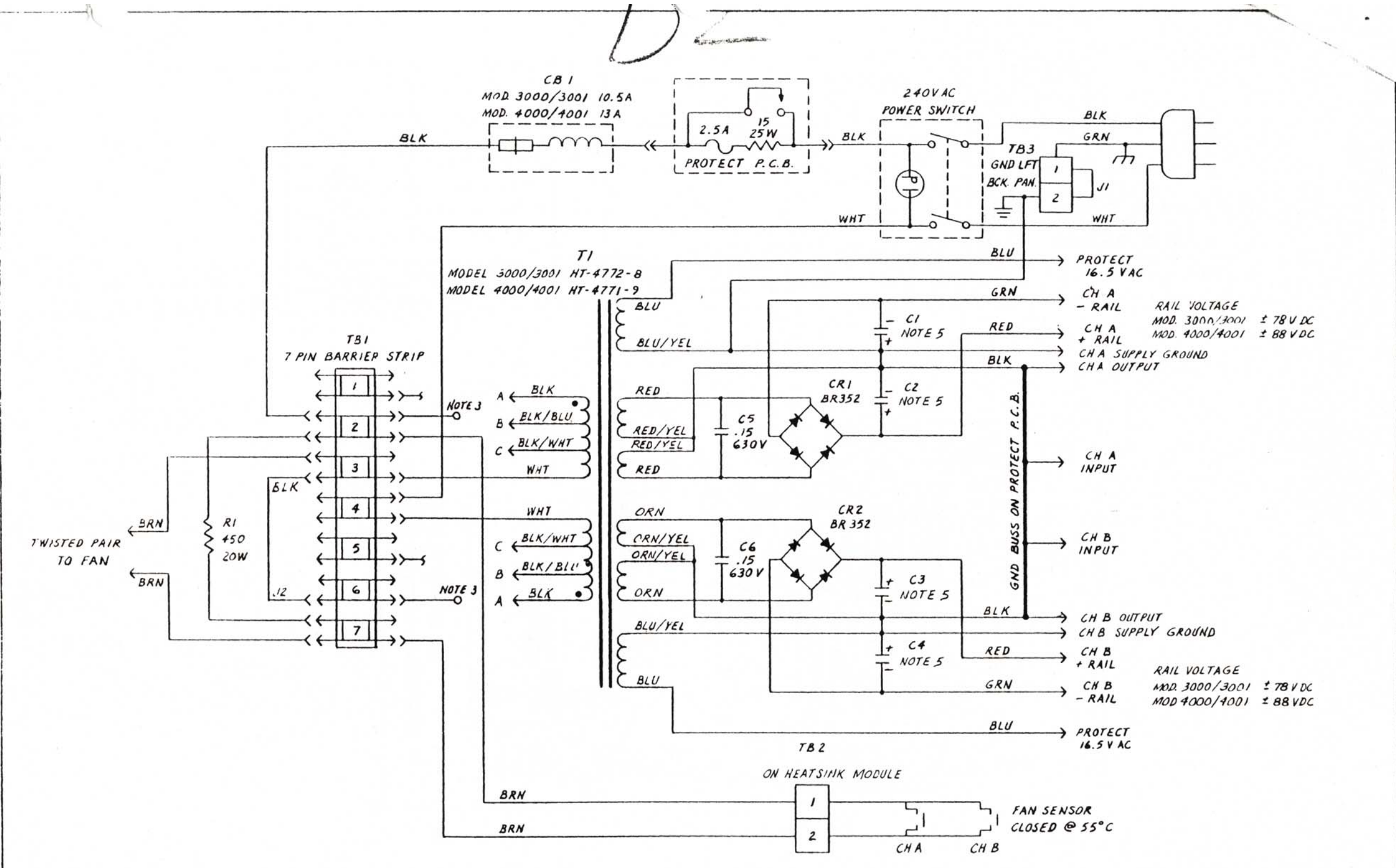


COMP. NOT INSTALLED BY
OUTSIDE VENDOR

J2, J4,		
---------	--	--

LAST REF DES		REV	DESCRIPTION	DATE
USED	NOT USED	01	REDESIGN & REDRAW	11/11/83
C8				
J4				
OA2				
R18				
S3				
TB2				

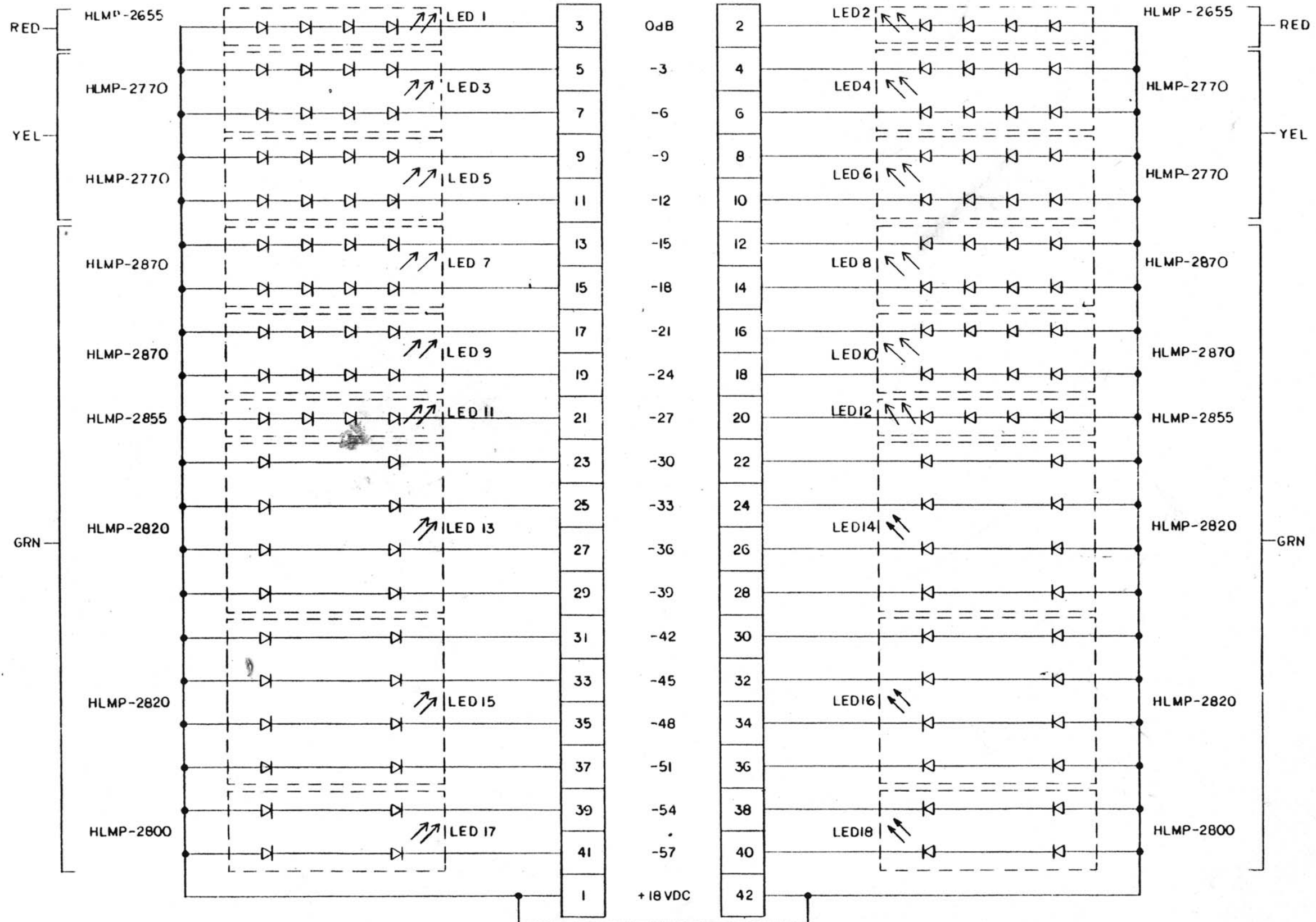
DALLAS MUSIC INDUSTRIES HAWTHORNE, N.J. 07506		
DWN.: E.C.	11/11/83	CREST MODELS: 4000/4001/3000/3001 POWER AMPLIFIERS
APP: I.F.	DATE: 2/2/84	
TOL: XX: ±.02 <: ±1° XXX: ±.01 FRACT: ±1/64		INPUT P.C.B.
MATL.:		ASSEMBLY DWG.
FINISH:		DWG. No.: 2202641 REV: 01
SCALE: 2:1		DO NOT SCALE DRAWING



COMP. NOT INSTALLED BY OUTSIDE VENDOR	LAST REF DES.		NOTES	REV	DESCRIPTION	DATE
	USED	NOT USED				
	C6		1. J = JUMPER 2. FAN SENSOR LOCATED ON HEATSINK MODULE 3. XFMR TAB A = 240V B = 220V C = 200V 4. UNUSED XFMR TAB PER WINDING GOES TO TB1 PINS 1 & 5 5. MODELS 3000/3001 C1,C2,C3,C4 15000 80V MODELS 4000/4001 C1,C2,C3,C4 20000 90V			
	CB1					
	CR2					
	R1					
	S1					
	T1					
	TB3					

CREST AUDIO HAWTHORNE N.J. 07506	
OWN: E.N.	DATE: 9/23/85
APP: I.F.	DATE: 10/18/85
TOL: ± .02 < 21°	*** 2 01 FRACT 2 1/64
MATL:	
FINISH:	
CREST MODELS 3000/3001/4000/4001 SERIES POWER AMPLIFIERS VOLTAGE CONVERSION AND POWER SUPPLY 200V - 240V SCHEMATIC DWG	
DWG NO: 2103797	REV:

CH A

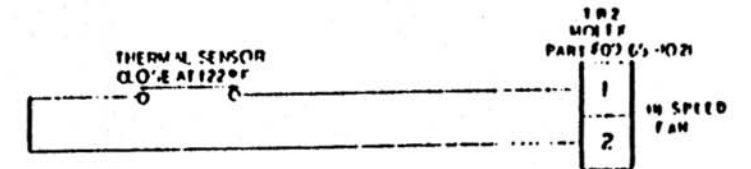
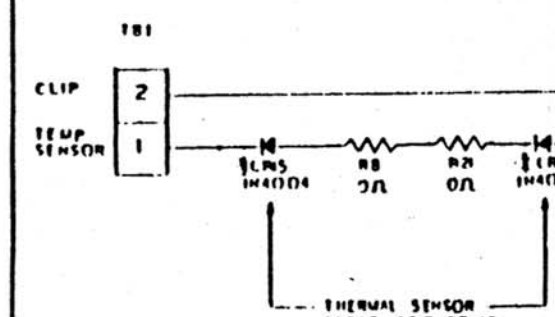
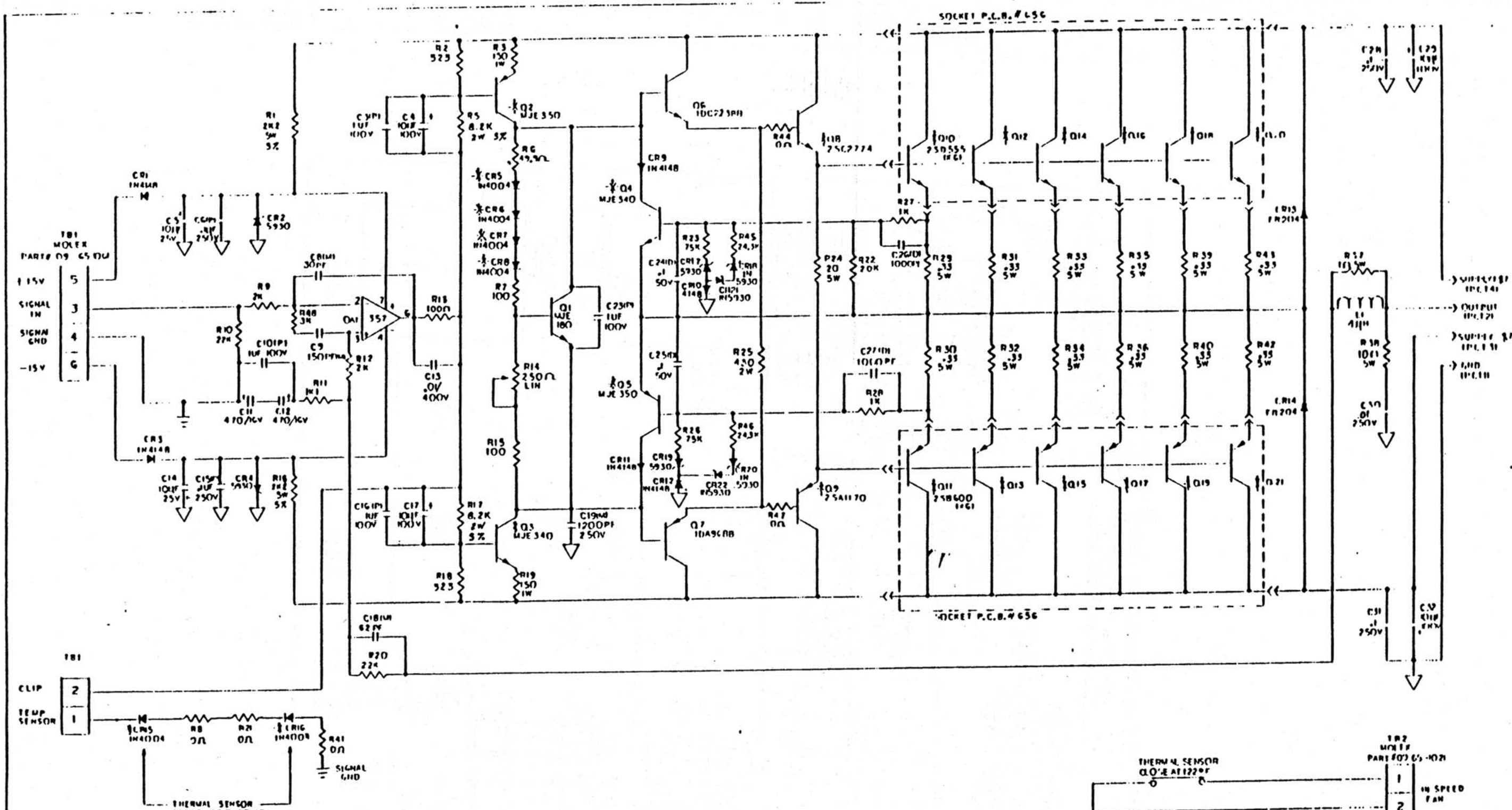


NOTES:
 1) TB1 TERMINALS 1-21 & TB2 TERMINALS 22-42.

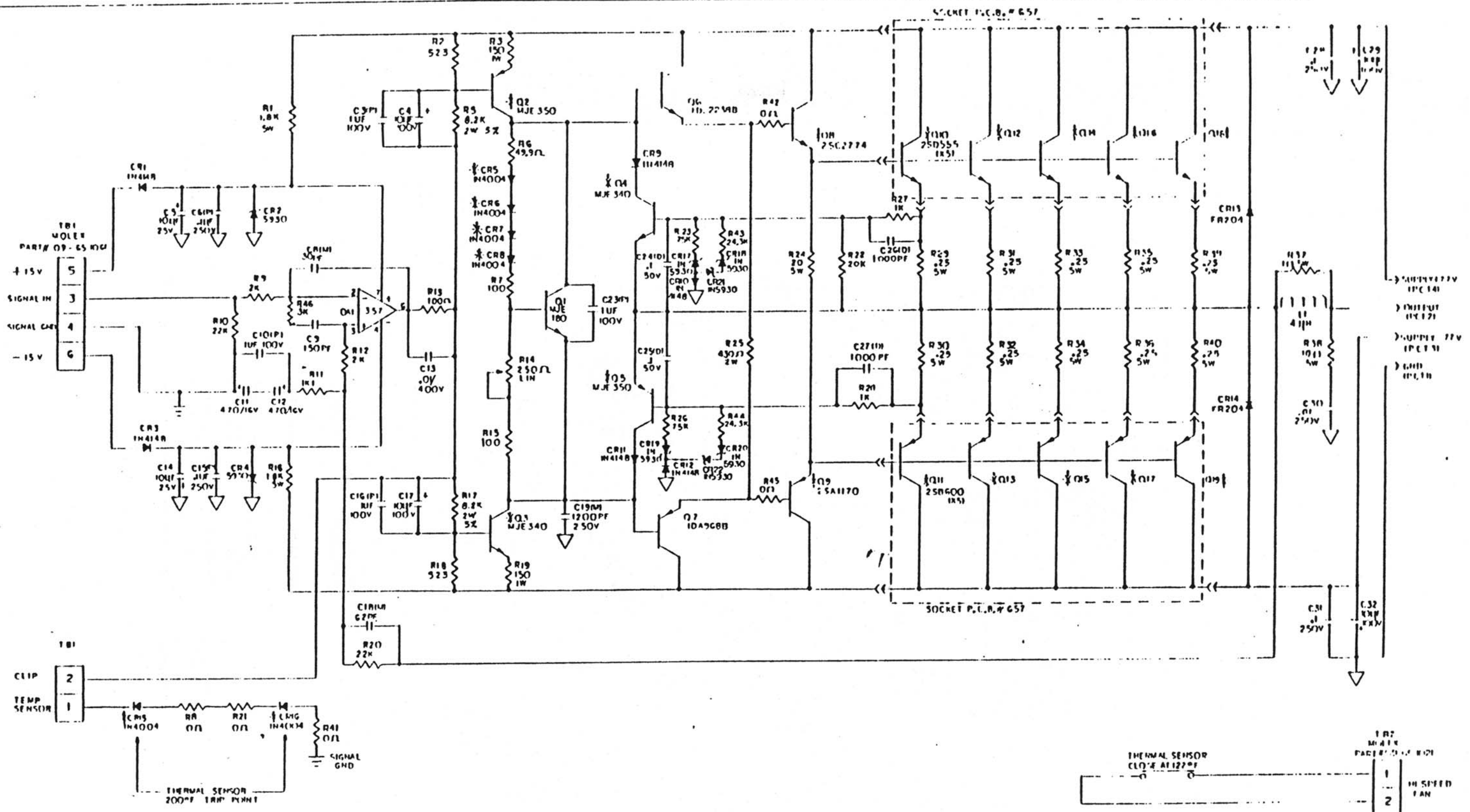
REV	DESCRIPTION	DATE
01	REDESIGN P.C.B.	2/8/82
02	REDESIGN P.C.B.	2/6/84

CREST AUDIO
HAWTHORNE, N.J. 07806

DWN. E.C.	DATE: 2/6/84	CREST MODEL 3000/3000/4000/ 4001 POWER AMPLIFIERS METER ARRAY P.C.B. SCHEMATIC DWG.
APP. I.F.	DATE: 2/6/84	
<small>TOL. ± 0.2 < ± 1° *** ± 0.1 FRACT ± 1/64</small>		
MATL:		
FINISH:		
DWG. No. 2103379		REV: 02
SCALE		DO NOT SCALE DRAWING



REV	DESCRIPTION	DATE	COMP. NOT INSTALLED BY	LAST REF DES.	NOTES	REV	DESCRIPTION	DATE	DALLAS MUSIC INDUSTRIES
09	R29-R43 WERE .2W 5% L1 WAS 5-1/2" R18 R19 WERE 100 OHM R20 WERE 2K	11/27/85	OUTSIDE VENDOR CR5, 6, 7, R15, 16 Q2, 3, 4, 5, 6, 7, 8, 9 T82	USED C32 CR22 L1 Q41 C21 R50 T82	NOT USED C17, 7, 20, 21, 22	06	REDESIGN P.C.B.	1/11/84	DALLAS MUSIC INDUSTRIES 2209/82 MODEL: 1000/1000 SERIES HEATSINK P.C.B. SCHEMATIC DWG.
07					ALL RESISTORS 1/4W, 1% UNLESS OTHERWISE SPECIFIED CAPACITORS: 10% TOL UNLESS OTHERWISE SPECIFIED ALL PARTS ON HEATSINK ALL ON SECRET P.C.B. USE PIN MOLDER 100 CC-1021 Q1, Q2, 3, 4, 5, 6, 7, 8, 9 SIREV 1, 2, 3, 4, 5 SEE DWG P: N: 4643-05 (MAYBE ETC FILE)	07	ADD RESISTOR R44 4715 OHM ADD RESISTOR R45 46124.3 OHM ALL DIMENSIONS IN INCHES ADD DIMENSIONS 201117PG1 REMOVE CAP 272 100V P11 CHANGE R15 FROM 300 OHM TO 100 OHM CHANGE R25 FROM 430 OHM TO 2W 1% CHANGE R26 FROM 100 OHM TO 2W 1% CHANGE C18 FROM 100 PF TO 22 PF CHANGE R27 FROM 100 OHM TO 10 OHM CHANGE R28 FROM 100 OHM TO 10 OHM CHANGE R29 FROM 100 OHM TO 10 OHM CHANGE R30 FROM 100 OHM TO 10 OHM CHANGE R31 FROM 100 OHM TO 10 OHM CHANGE R32 FROM 100 OHM TO 10 OHM CHANGE R33 FROM 100 OHM TO 10 OHM CHANGE R34 FROM 100 OHM TO 10 OHM CHANGE R35 FROM 100 OHM TO 10 OHM CHANGE R36 FROM 100 OHM TO 10 OHM CHANGE R37 FROM 100 OHM TO 10 OHM CHANGE R38 FROM 100 OHM TO 10 OHM CHANGE R39 FROM 100 OHM TO 10 OHM CHANGE R40 FROM 100 OHM TO 10 OHM CHANGE R41 FROM 100 OHM TO 10 OHM CHANGE R42 FROM 100 OHM TO 10 OHM CHANGE R43 FROM 100 OHM TO 10 OHM CHANGE R44 FROM 100 OHM TO 10 OHM CHANGE R45 FROM 100 OHM TO 10 OHM	08	



REV	DESCRIPTION	DATE	COMP NOT INSTALLED BY OUTSIDE VENDOR	LAST REF DES	NOTES	REV	DESCRIPTION	DATE
05	R5 & R17 WERE 30K & R1 WAS 50K R29 - R40 WERE 20K R2 (R1A WERE 2K	11/17/84	CR5, 6, 7, R15, 16 Q2, 3, 4, 5, 6, 7, 8, 9 T87	USED NOT USED C1, 2, 20, 21, 22 CR22 L1 Q1 Q19 R46 T83	1) ALL RESISTORS 1/4 W. UNLESS OTHERWISE SPECIFIED 2) CAPACITORS - 100 DISC, 100M CAP POLY. 3) 1/2 PARTS ON HEATSINK 4) ON SOCKET P.C.B., USE PIN MOUNTED (X) (CG1021) 5) 1/2 (10 OF 13) (D17) 5) REV. 12, 1, 4, 5 SEE DWG 2104643 - OSI DISCRETE FILE)	06 07	1) ALL SIGN P.C.B. (REV 10) DWG 2) ADD RESISTORS R42 45K 50K 3) ADD RESISTORS R43 44K 24.3K 4) ADD DIODES # 12, 16 (1N5930) 5) ADD DIODES # 17, 18 (1N4148) 6) MOVE CAP # 22 (1000PF) TO HEATSINK P.C.B. 7) CHANGE R15 FROM 30K TO 100K 8) CHANGE R25 FROM 430-2W TO 200K 2W 9) CHANGE C 2 FROM 30PF TO 82PF 10) CHANGE R27 (27K) FROM 10K TO 1K 11) CHANGE R25 (25K) FROM 10K TO 75K 12) C.B. 100 (R20) 1N5930/125 430	1/5/84 1/15/84

DALLAS MUSIC INDUSTRIES
MUSIC HOME DEPT

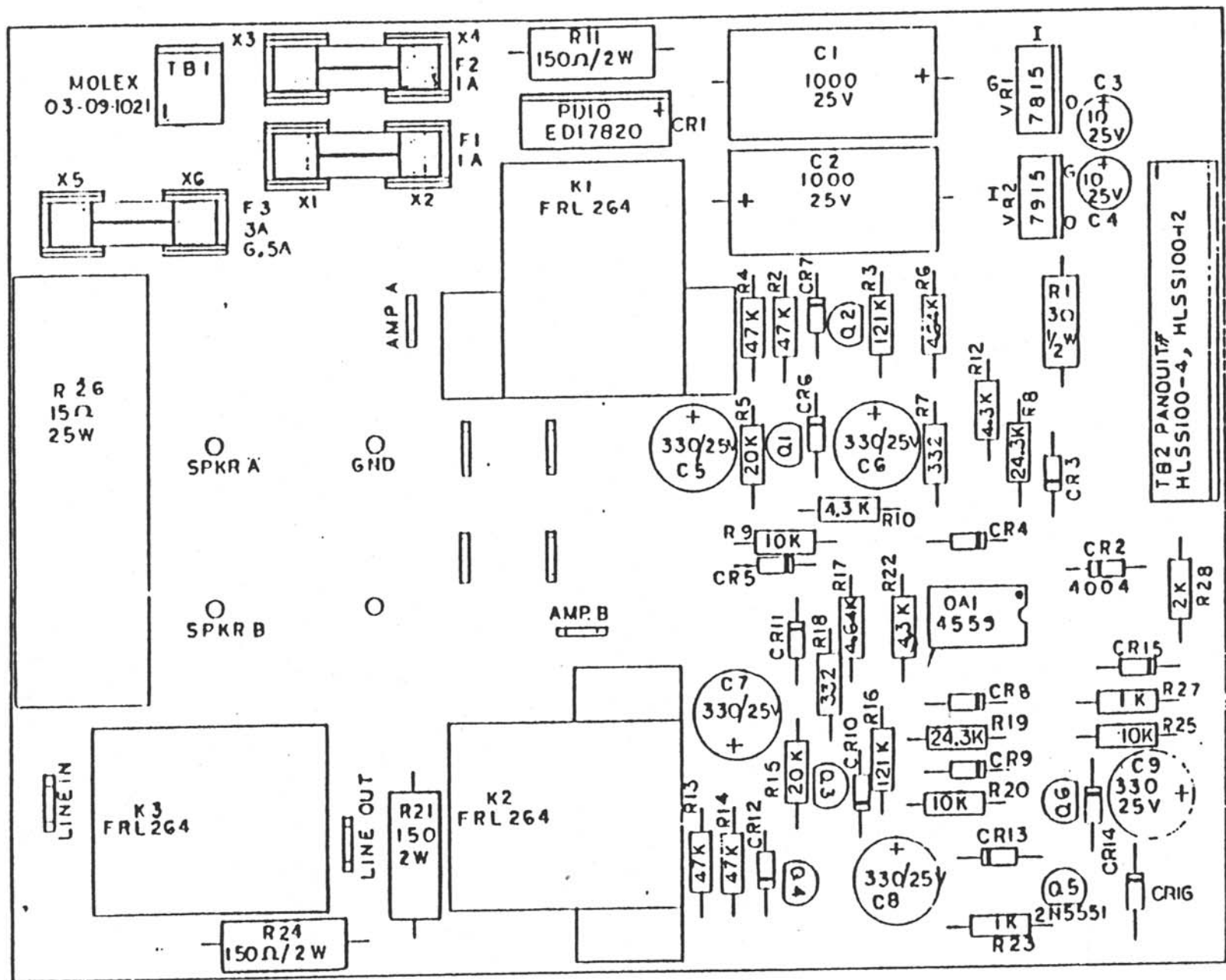
1/5/84

1/15/84

HEATSINK P.C.B.
SCHEMATIC P.C.B.

109

DO NOT SCALE DRAWING



TB2 PANQUIT#
HLSS100-4, HLSS100-12

COMP NOT INSTALLED BY
OUTSIDE VENDOR

LAST REF	DES.	NOT USED
USED		
C9		
CR1G		
K3		
OAI		
Q6		
R2B		

NOTES
 1) ALL RESISTORS 1/4W, 1% UNLESS OTHERWISE SPECIFIED
 2) ALL DIODES IN4148 UNLESS OTHERWISE SPECIFIED
 3) ALL TRANSISTORS MPSA13 UNLESS OTHERWISE SPECIFIED
 4) X1-X6 KEYSTONE # 3529

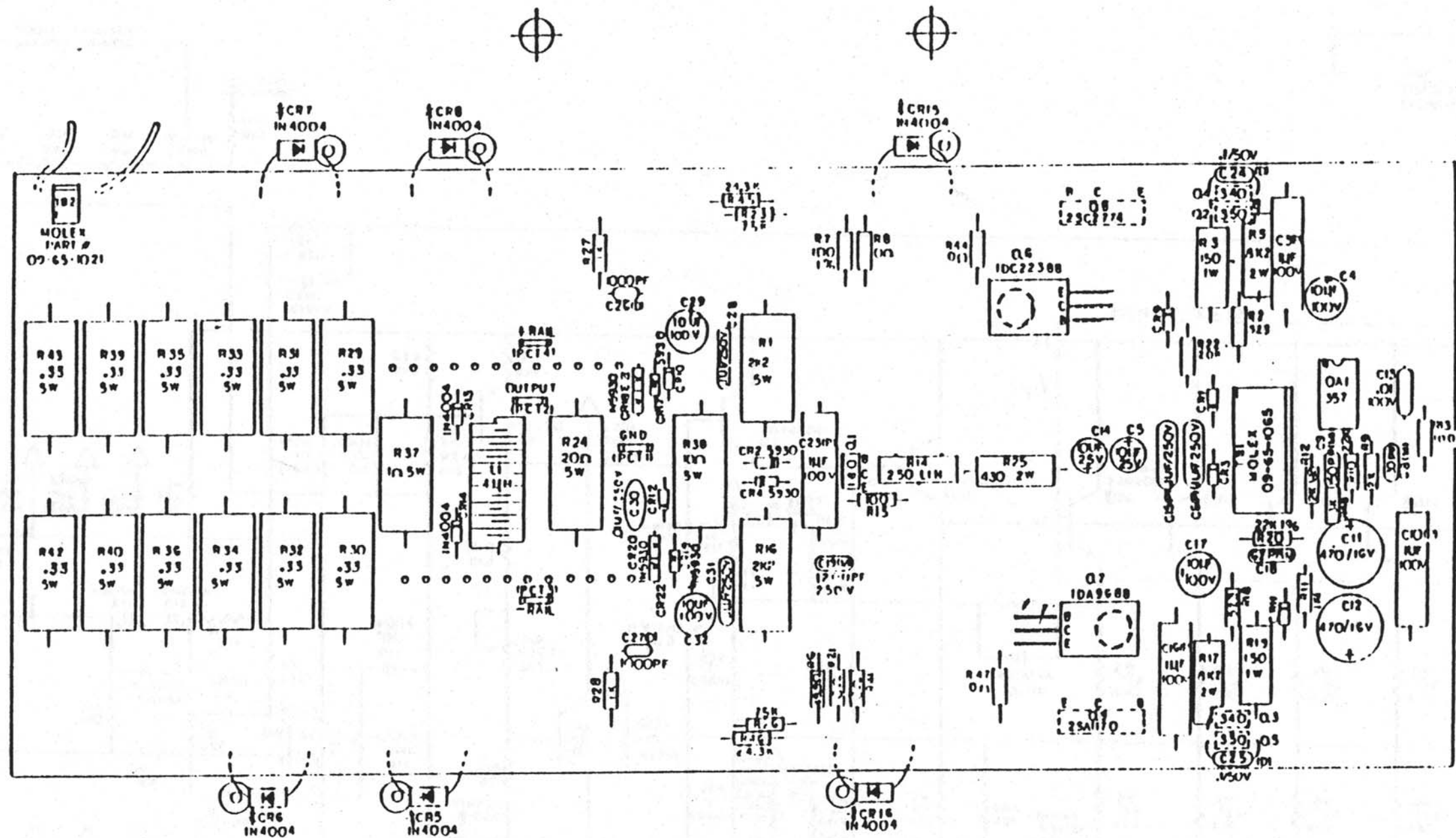
REV	DESCRIPTION	DATE
01	REDESIGN P.C.B.	3/13/84
02	CHANGE R8, R19 FROM 20K TO 24.3K	3/23/84
03	R25 FROM 75K TO 24.3K TO 10K	5/31/84

DALLAS MUSIC INDUSTRIES
HAWTHORNE, N.J. 07308

OWN: E.C. DATE: 3/13/84
 APP: I.F. DATE: 6/22/84
 TOL: ± .05 ± .01
 *** 2 01 PRACT 2/04

CREST:
 MODELS: 4000/1001/3000/3001
 POWER AMPLIFIERS
 RELAY /PROJECT P.C.B.
 ASSY DIG

DWG N: 2203677



REV	DESCRIPTION	DATE	COMP. NOT INSTALLED BY	LAST REF DES.	NOTES	REV	DESCRIPTION	DATE
09	R7 & R17 WERE 30K 1/4W LI WAS 5.1K R19 - R42 WERE .25A. RE & R18 WERE 2W	12/1/83	OUTSIDE VENDOR	USED: C32, CR1G, L1, OAI, C121, R4B, 1B2 NOT USED: C12, 7, 20, 21	ALL RESISTORS 1/2W 1% UNLESS OTHERWISE SPECIFIED 2% CAPACITORS: 10% DISC, 10% MIC, 10% POLY 3% PARTS ON HEATSINK ALL NODES W/1414R UNLESS OTHERWISE SPECIFIED SI REV. 1, 2, 3, 4, 5 SEE DWG # 2104647-05 IC OBSOLETE FILE GI GGGCQ7 ATTACH WITH PEM N.Y. #FS2-632	06	REDESIGN P.C.B.	1/17/84
						07	ADD RESISTOR R44 27K 1/4W ADD RESISTOR R45 4K 1/4W ADD DIODES R17, R19 1N5930 ADD DIODES R19, R20 1N1794 REMOVE CAP 100V 100UF CHANGE R15 FROM 300K TO 100K CHANGE R25 FROM 450W 2W TO 200W 2W CHANGE CR1 FROM 50V TO 62V CHANGE R27, R28 FROM 100W TO 1W CHANGE R23 200K FROM 100K TO 200K	2/7/84
						08	R8 TO R10 100K TO 100K R25 TO 430K 2W TO 430K 2W	2/7/84

DALLAS MUSIC INDUSTRIES
MULTIMEDIA, INC.

DESIGNED BY	DATE	REV
E.C.	1/17/84	06
DRN		07
CHKD BY		08
APP'D BY		

CREST
MODELS: 1000/1001/1002/1003
HEATSINK P.C.B.
ASSEMBLY DWG.

SCALE: 1:1 100 NOT SCALE DRAWING