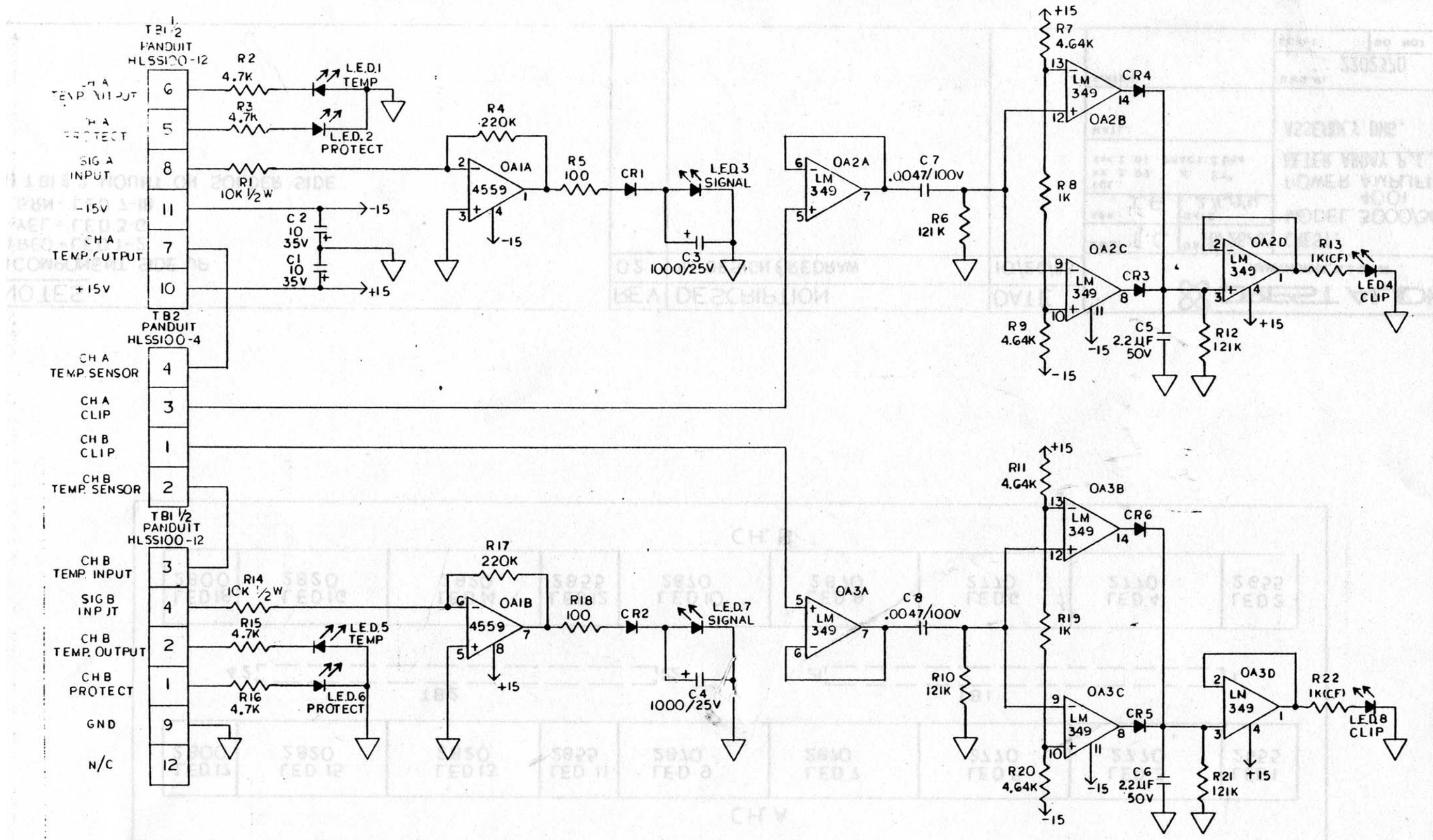
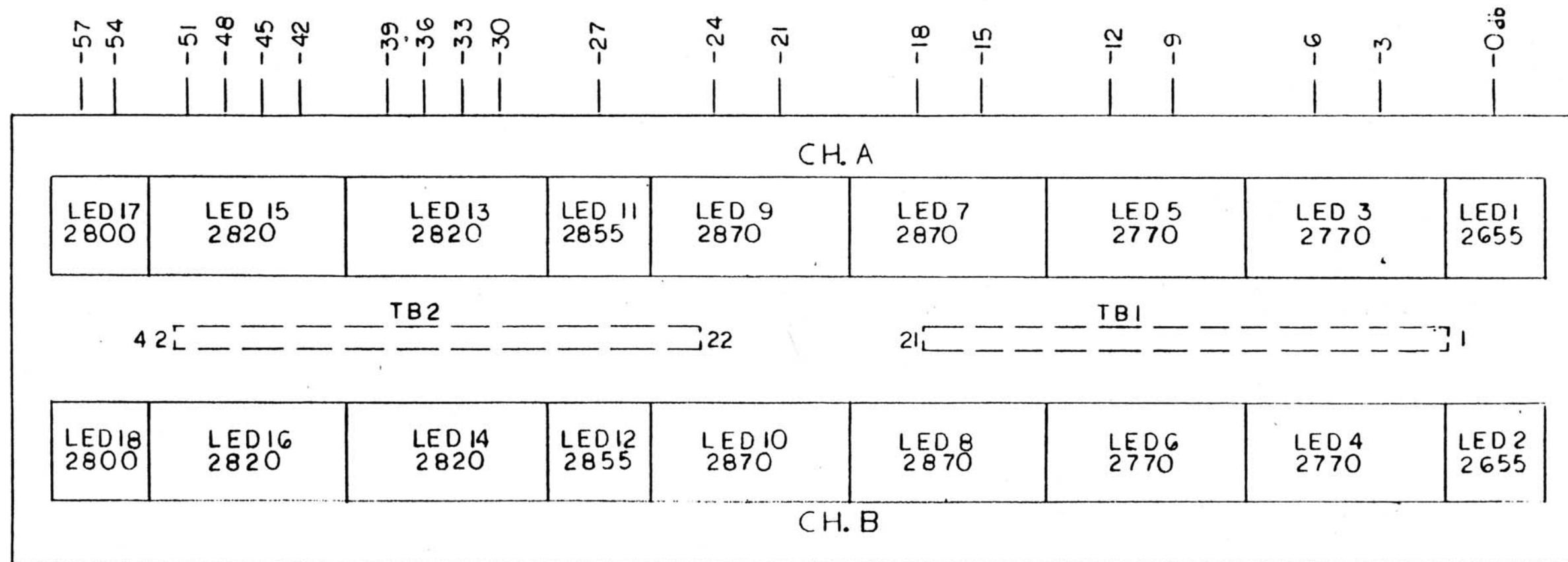


COMP. NOT INSTALLED BY OUTSIDE VENDOR	LAST REF. DES.		NOTES	REV.	DESCRIPTION	DATE
	USED	NOT USED				
	C6		1. J = JUMPER 2. FAN SENSOR LOCATED ON HEATSINK MODULE 3. SEE INSET FOR 100V TB1/T1 CONNECTIONS 110V AND 120V XFMR TAB A = 120V B = 110V 4. UNUSED XFMR TAB PER WINDING GOES TO TB1 PINS 1 & 5 5. MODELS 3000/3001 C1,C2,C3,C4 15000 80V MODELS 4000/4001 C1,C2,C3,C4 20000 90V			
	CB1					
	CR2					
	R1					
	S1					
	T1					
	TB3					
 HAWTHORNE, N.J. 07506 DWN: E.H. DATE: 9/24/85 APP: J.E. DATE: 11/18/85 TOL: ±.02 < ±.1° ±.01 FRACT. 2/64 FINISH: _____ DWG NO: 2103796 SCALE: — DO NOT SCALE DRAWING						



COMP. NOT INSTALLED BY OUTSIDE VENDOR	LAST REF DES		NOTES	REV	DESCRIPTION	DATE	DALLAS MUSIC INDUSTRIES HAWTHORNE, N.J. 07506		
	USED	NOT USED					DWG.	DATE	CREST.
			1) ALL RESISTORS 1/4W, UNLESS OTHERWISE SPECIFIED	04	REDESIGN P.C.B. & REDRAW DWG.	12/13/83	F.C.	12/13/83	MODELS: 3001/4001 SERIES POWER AMPLIFIERS
			2) ALL DIODES IN4148, UNLESS OTHERWISE SPECIFIED	05	REVERSE POLARITY LED 2, 6. CHG R2, 3, 15, 16-820Ω 1/2W TO 4.7K, 1/4W	4/24/84	T.E.	12/15/83	
			3) ALL CAPACITOR ELECTROLYTIC, UNLESS OTHERWISE SPECIFIED						L.E.D. P.C.B.
			4) REV-1, 2, 3. SEE DWG#2104644 (OBSOLETE FILE)						SCHEMATIC DWG.
									DWG No.: 2103644
									SCALE: --- DO NOT SCALE DWG

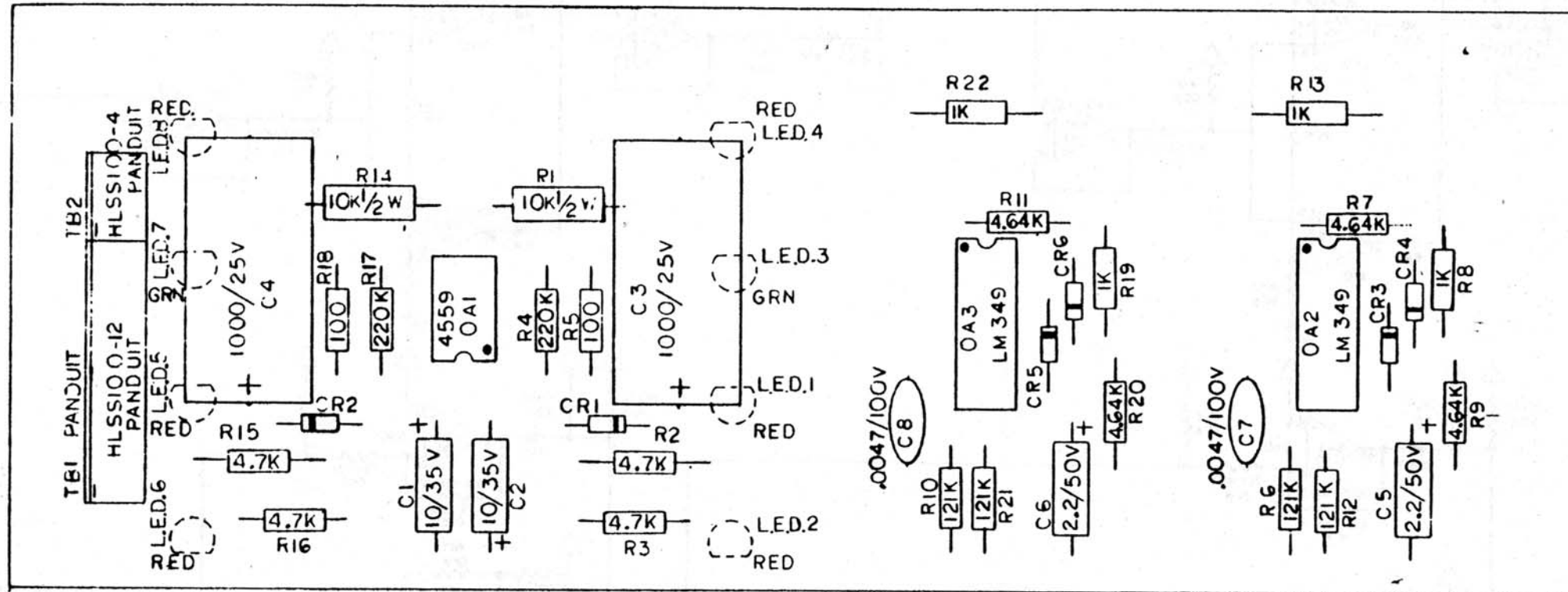


**NOTES**

- 1) COMPONENT SIDE UP
- 2) RED = LED 1-2  
YEL = LED 3-6  
GRN = LED 7-18
- 3) TBI & 2 MOUNT ON SOLDER SIDE

REV	DESCRIPTION	DATE	<b>CREST AUDIO</b> HAWTHORNE, N.J. 07506	
02	REDESIGN & REDRAW	10/26/83	DWN: E.C.	DATE: 10/26/83
			APP: I.F.	DATE: 2/6/84
			TOL: XX: ±.02    Z: ±1° XXX: ±.01    FRACT: ±1/64	CREST: MODEL 3000/3001/4000 4001 POWER AMPLIFIERS METER ARRAY P.C.B. ASSEMBLY DWG.
			MATL:	
			FINISH:	DWG No.: 2202370    REV: 02
			SCALE:	DO NOT SCALE DRAWING





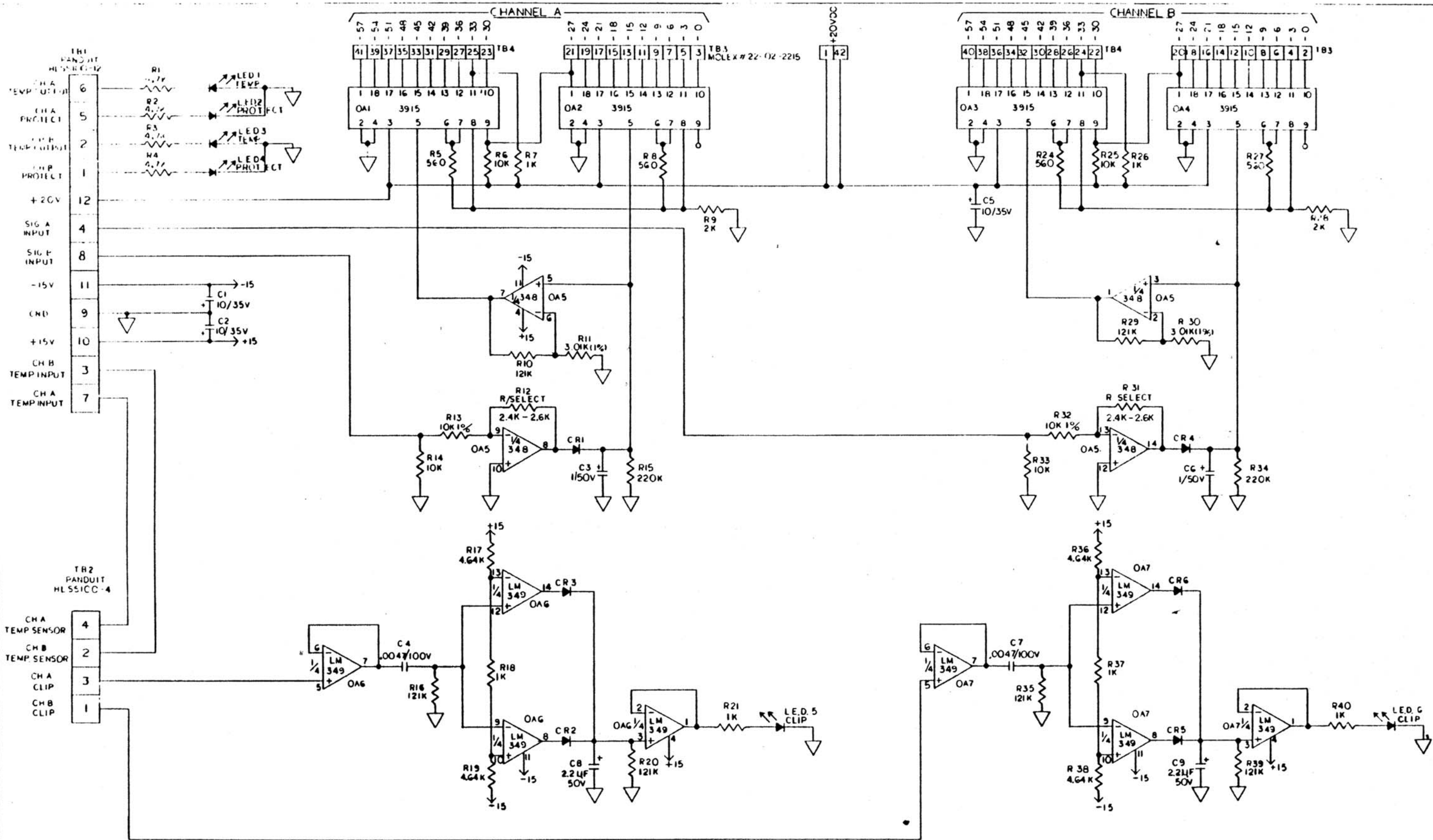
COMP. NOT INSTALLED BY  
OUTSIDE VENDOR

LAST REF DES	
USED	NOT USED
C8	
CR 6	CR3 CR5 <input checked="" type="checkbox"/>
LED 8	
OA 3	
R22	R6, 8, 9, 21, 22 <input checked="" type="checkbox"/>
T B2	

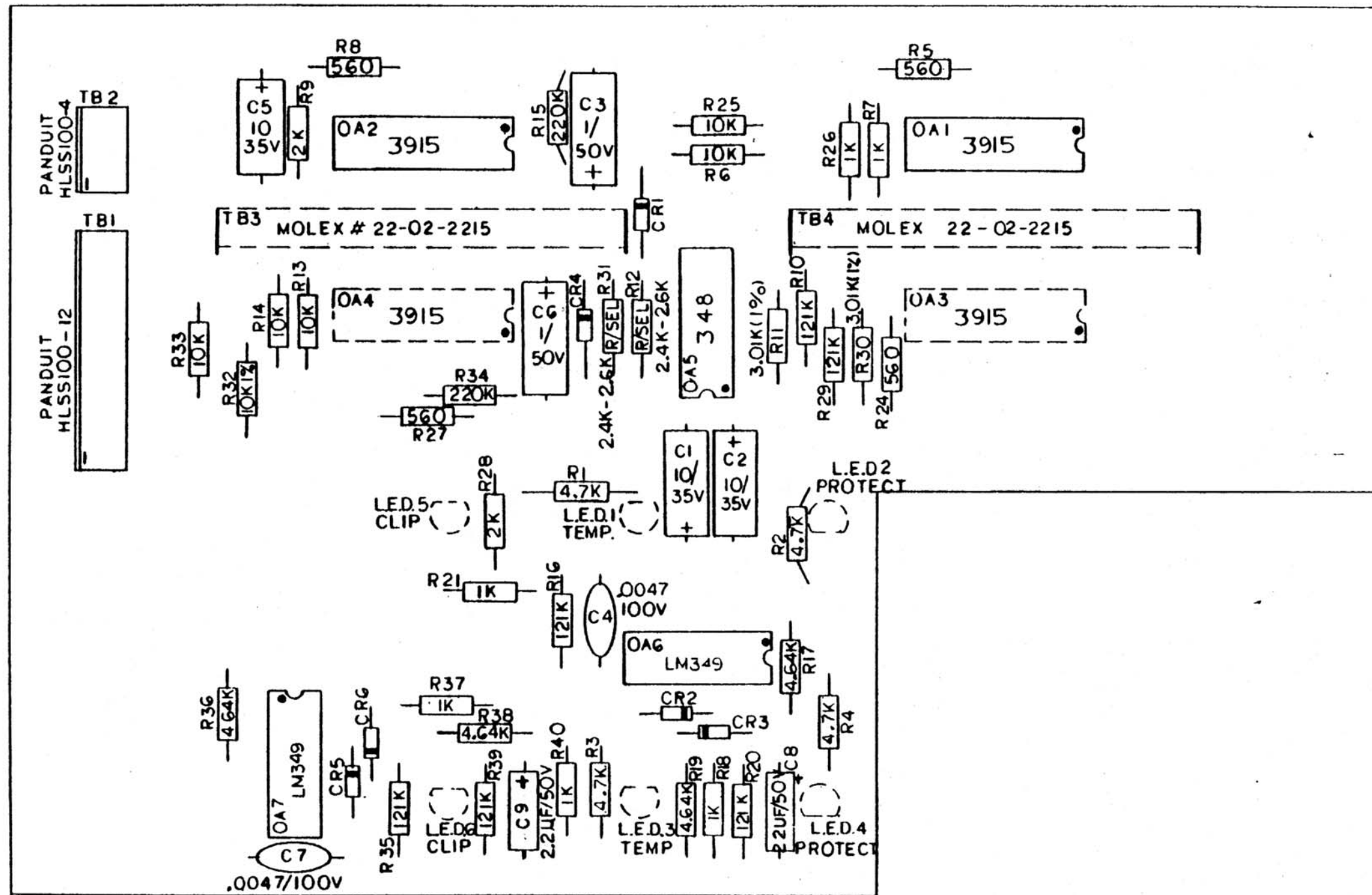
NOTES =  
 1) ALL RESISTORS 1/4W, UNLESS OTHERWISE SPECIFIED  
 2) ALL DIODES 4148, UNLESS OTHERWISE SPECIFIED  
 3) ALL CAPACITORS ELECTROLYTIC, UNLESS OTHERWISE SPECIFIED

REV	DESCRIPTION	DATE
01	R1-R14 FROM 1/4W TO 1/2W	10-26/83
02	SEE <del>NOT USED</del> . ADD C7, C8, R10, R23 FROM D.I.T. TO 300 R7 R20 FROM D.I.T. TO 121K	11/30/83
03	R1, R13, R14, R26 FROM 820 1/2W TO 1K 1W (C.F.) — R17, R4 FROM 242K TO 220K	12/6/83
04	REDESIGN P.C.B.	12/13/83
05	REVERSE POLARITY LED2, 6	4/24/84

DALLAS MUSIC INDUSTRIES HAWTHORNE, N.J. 07508			
OWN: E.C.	DATE: 7/29/83	CREST:	
APP: I.F.	DATE: 2/2/84	MODELS: 3001/4001 SERIES POWER AMPLIFIERS	
TOL: ±.02	±.1°	L.E.D. P.C.	
FR: ±.01	FRAC: ±1/64	ASSEMBLY	
MATL:		DWG N°	REV



COMP. NOT INSTALLED BY OUTSIDE VENDOR		LAST REF DES		NOTES:	REV	DESCRIPTION	DATE	DALLAS MUSIC INDUSTRIES NAUTHTON, N.J. 07063	
USED	NOT USED	USED	NOT USED					E.C.	*REV/31/83
				1) ALL RESISTORS 1/4 W UNLESS OTHERWISE SPECIFIED	01	SEE NOT USED. ADD C8, C9. R36, R17 FROM D.I.T. TO 300	11/30/83		
				2) ALL DIODES IN 4148 UNLESS OTHERWISE SPECIFIED	02	R1, R2, R3, R4, R25, R42 FROM 820 1/2 W TO 1K 1/4 W (C.F.)	12/6/83		MODELS: 4000/3000 SERIES POWER AMPLIFIERS
				3) ALL 10K RESISTOR 1% UNLESS OTHERWISE SPECIFIED	03	R22, R41 FROM 43K TO 121K	12/29/83		MAIN INTER P.C.B.
				4) REV 1, 2, SEE DWG. 2104645-02 (OBSOLETE FILE)	04	REDESIGN P.C.B.	4/24/84		SCHEMATIC DWG
						REVERSE POLARITY LED 2, 4 R, 2, 3, 4 - 1K TO 4.7K			
									SCALE: DO NOT SCALE DRAWING



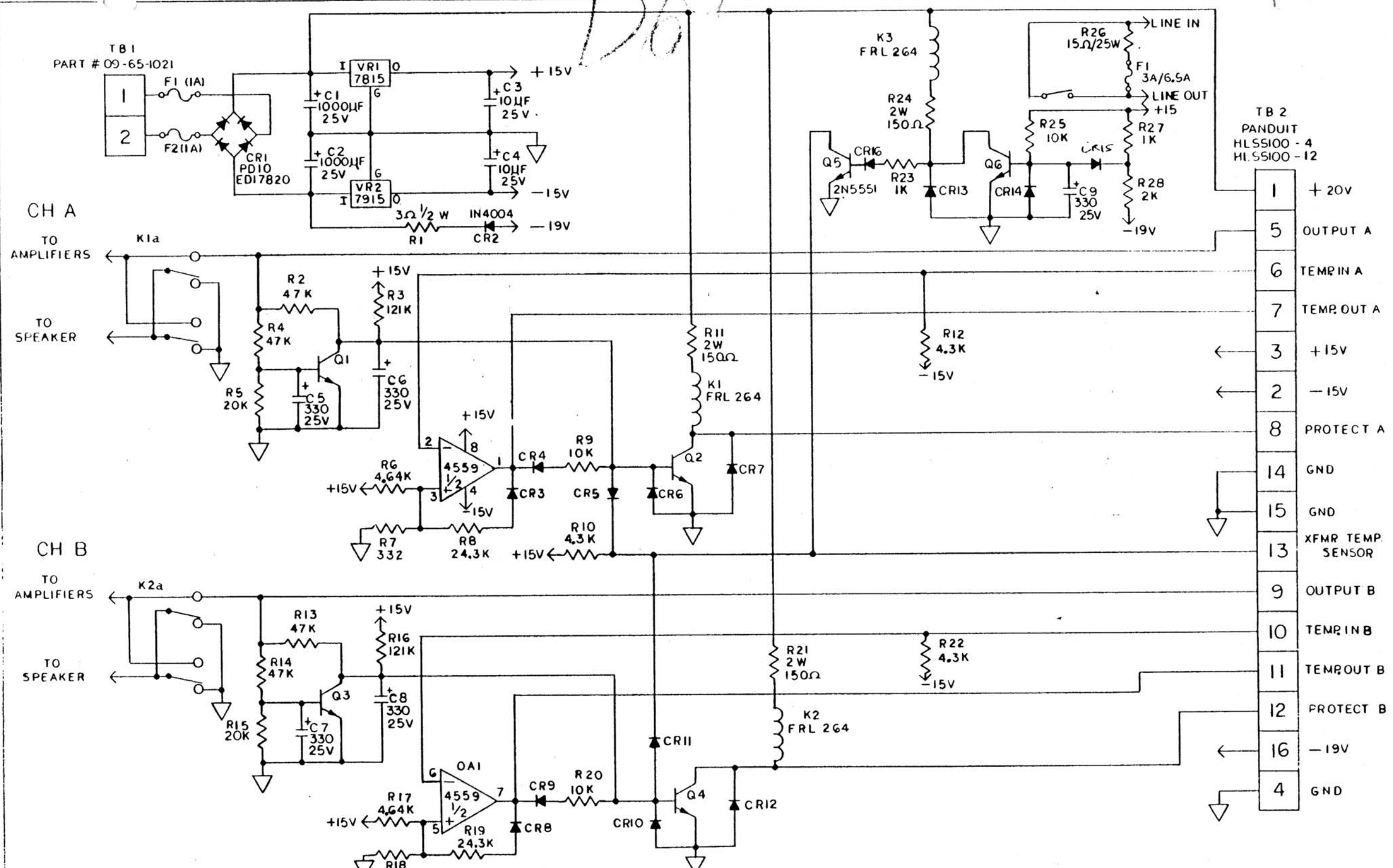
COMP. NOT INSTALLED BY  
OUTSIDE VENDOR

LAST REF DES	
USED	NOT USED
C9	
CR6	
OA7	
L.E.D.6	
R40	R22, R23
TB4	

NOTES  
 1) ALL RESISTORS 1/4 W UNLESS OTHERWISE SPECIFIED  
 2) ALL DIODES IN 4148 UNLESS OTHERWISE SPECIFIED  
 3) ALL 10K RESISTORS 1% UNLESS OTHERWISE SPECIFIED  
 4) REV 1, 2 SEE DWG 2204645-02 (OBSOLETE FILE)

REV	DESCRIPTION	DATE
03	REDESIGN P.C.B. & REDRAW DWG	12/28/83
04	REVERSE POLARITY LED 2, 4 R1, 2, 3, 4 - 1K TO 4.7K	4/24/84

DALLAS MUSIC INDUSTRIES HAWTHORNE, N.J. 07506			
DWN: E.C.	DATE: 12/28/83	CREST:	
APP: I.F.	DATE: 2/2/84	MODELS: 4000/3000 SERIES POWER AMPLIFIERS	
TOL: ± 1.02 < ± 1° ± 2.01 FRACT ± 1/64		MAIN METER P.C.B.	
MATERIAL:		ASSEMBLY	
FINISH	DWG NO: 2203645	REV 04	



COMP NOT INSTALLED BY  
OUTSIDE VENDOR

LAST REF. DES	
USED	NOT USED
C9	
CR16	
K3	
OA1	
Q6	
R28	
TB2	

**NOTES**

- 1) ALL RESISTOR 1/4 W, 1% UNLESS OTHERWISE SPECIFIED
- 2) ALL DIODES IN 414B UNLESS OTHERWISE SPECIFIED
- 3) ALL TRANSISTORS MPSA13 UNLESS OTHERWISE SPECIFIED
- 4) REV-00, SEE DWG # 2104677-00(OBSOLETE FILE)

REV	DESCRIPTION	DATE
01	REDESIGN P.C.B.	3/13/84
02	CHANGE RB, R19 FROM 20K TO 24.3K	3/23/84

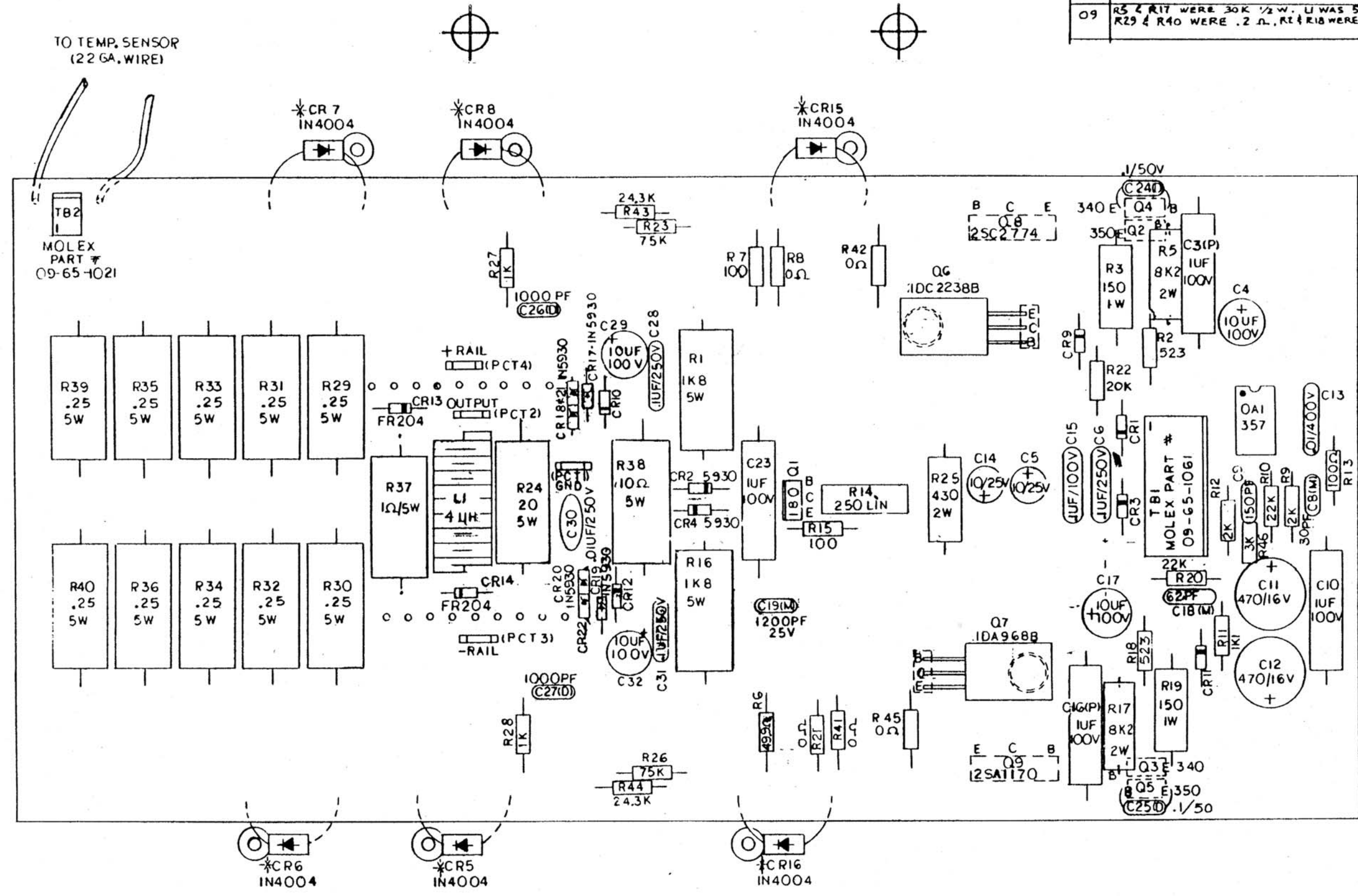
**DALLAS MUSIC INDUSTRIES**  
HAWTHORNE, N.J. 07508

DWN: E.C.	DATE: 3/13/84	<b>CREST:</b> MODELS 4000/4001/3000/3001 POWER AMPLIFIERS RELAY/PROTECT P.C.B. SCHEMATIC DWG
APP:	DATE:	
TOL: ± 0.2 < ± 1° ± 0.1 FRACT 2/64		
FINISH:		

DWG N. 2103677    REV. 02

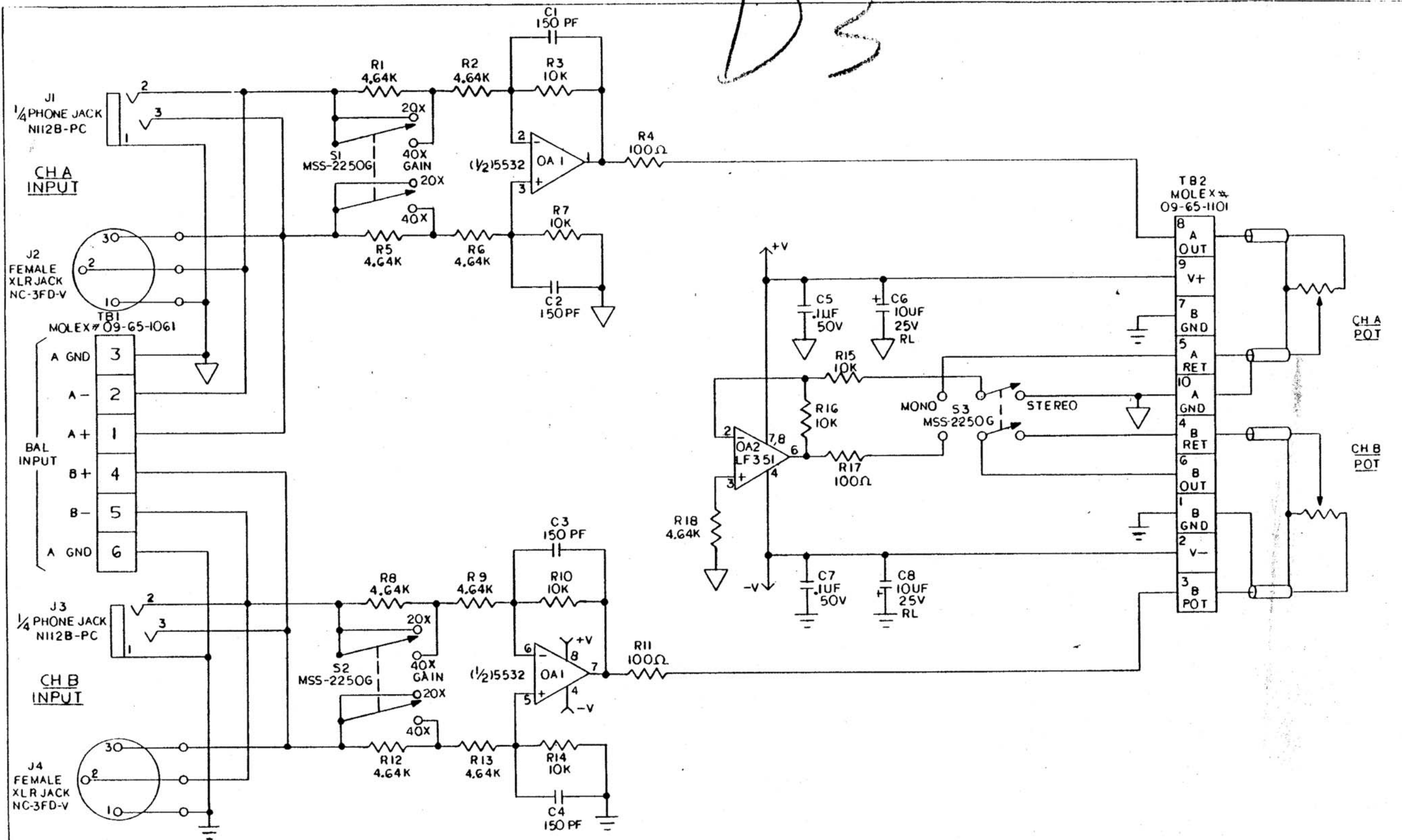


REV	DESCRIPTION	DATE
09	R5 & R17 WERE 30K 1/2 W. L1 WAS 5μH R29 & R40 WERE .2 Ω, R1 & R18 WERE 2K	12/1/85



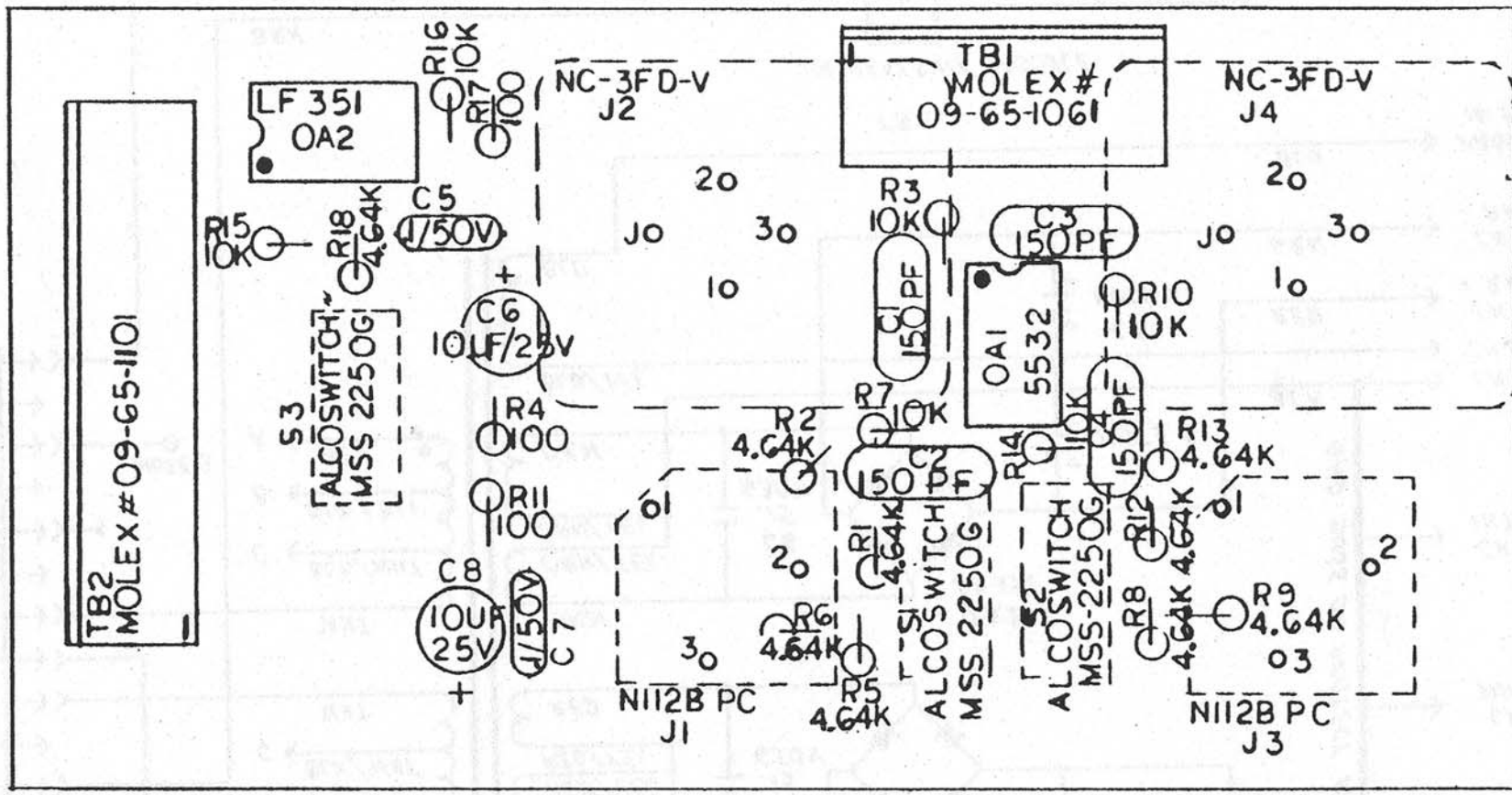
COMP NOT INSTALLED BY OUTSIDE VENDOR	LAST REV DES		NOTES	REV	DESCRIPTION	DATE	DALLAS MUSIC INDUSTRIES HAWTHORNE, N.J. 07506	
	USED	NOT USED					DWN: E.C. 9/8/84	CREST
CR 5, 6, 7, 8, 15, 16	C 32	CI, 2, 20, 21, 22,	1) ALL RESISTORS 1/4 W, 1% UNLESS OTHERWISE SPECIFIED 2) CAPACITORS = (D) DISC, (M) MICA, (P) POLY. 3) * - PARTS ON HEATSINK 4) ALL DIODES IN4148 UNLESS OTHERWISE SPECIFIED 5) REV 1, 2, 3, 4, 5, SEE DWG # 2104643-05 (OBSOLETE FILE) @ Q6 & Q7 ATTACH WITH PEM NUT # KFS2	06	REDESIGN P.C.B. & REDRAW DWG TO "C" SIZE	1/6/83	APP: I.F.	DATE: 6/2/84
C 2, 3, 4, 5, 6, 7, 8, 9	CR 20			07	ADD RESISTORS # 42, 45 5Ω ADD RESISTORS # 43, 44 (24.3K) ADD DIODES # 17, 19 (1N5930) ADD DIODES # 18, 20 (1N1786) REMOVE CAP # 22 (1000 PF/D) CHANGE R13 FROM 3KΩ TO 100Ω CHANGE R25 FROM 430Ω 2W TO 200Ω 2W CHANGE C8 FROM 30 PF TO 62PF CHANGE R27, 28 FROM 100 TO 1K CHANGE R23, 26 FROM 6K8 TO 75K	2/15/84	TOL: ±.02 < ±.1° ±.01 FRACT 1/64	MODELS: 3000/3001 SERIES POWER AMPLIFIERS
TB 2	L1						MATL:	HEATSINK P.C.B.
	Q19						FINISH:	ASSEMBLY DWG.
	R45						DWG NO: 22	REV: 09
	TB 3						SCALE: 2:1	NOT SCALE DRAWING
					OR	CR-30, CR18, 20-1N5930, R10-450, ADD CR21, 22, R44	4/25/84	





COMP NOT INSTALLED BY OUTSIDE VENDOR	LAST REF DES		NOTES	REV	DESCRIPTION	DATE	DALLAS MUSIC INDUSTRIES HAWTHORNE, N.J. 07508	
	USED	NOT USED					DWN E.C.	DATE
J2, J4 S1, S2, S3	C8		ALL RESISTOR 1/4W AND 1% UNLESS OTHERWISE SPECIFIED	01	REDESIGN & REDRAW	11/17/83	APP. I.J.F.	DATE 1/5/84
	J4						TOL. ± 0.2% < ± 1°	CREST MODELS: 3000/3001/4000/4001 POWER AMPLIFIERS
	OA2						*** ± 0.1% FRACT ± 1/64	
	R18						MATL	INPUT P.C.B.
	S3						FINISH	SCHEMATIC DWG
	TB2						DWG NO. 2103641	REV 01
						SCALE	DO NOT SCALE DRAWING	

NOTES ALL RESISTOR 1/4 W -  
AND 1% UNLESS OTHERWISE  
SPECIFIED.



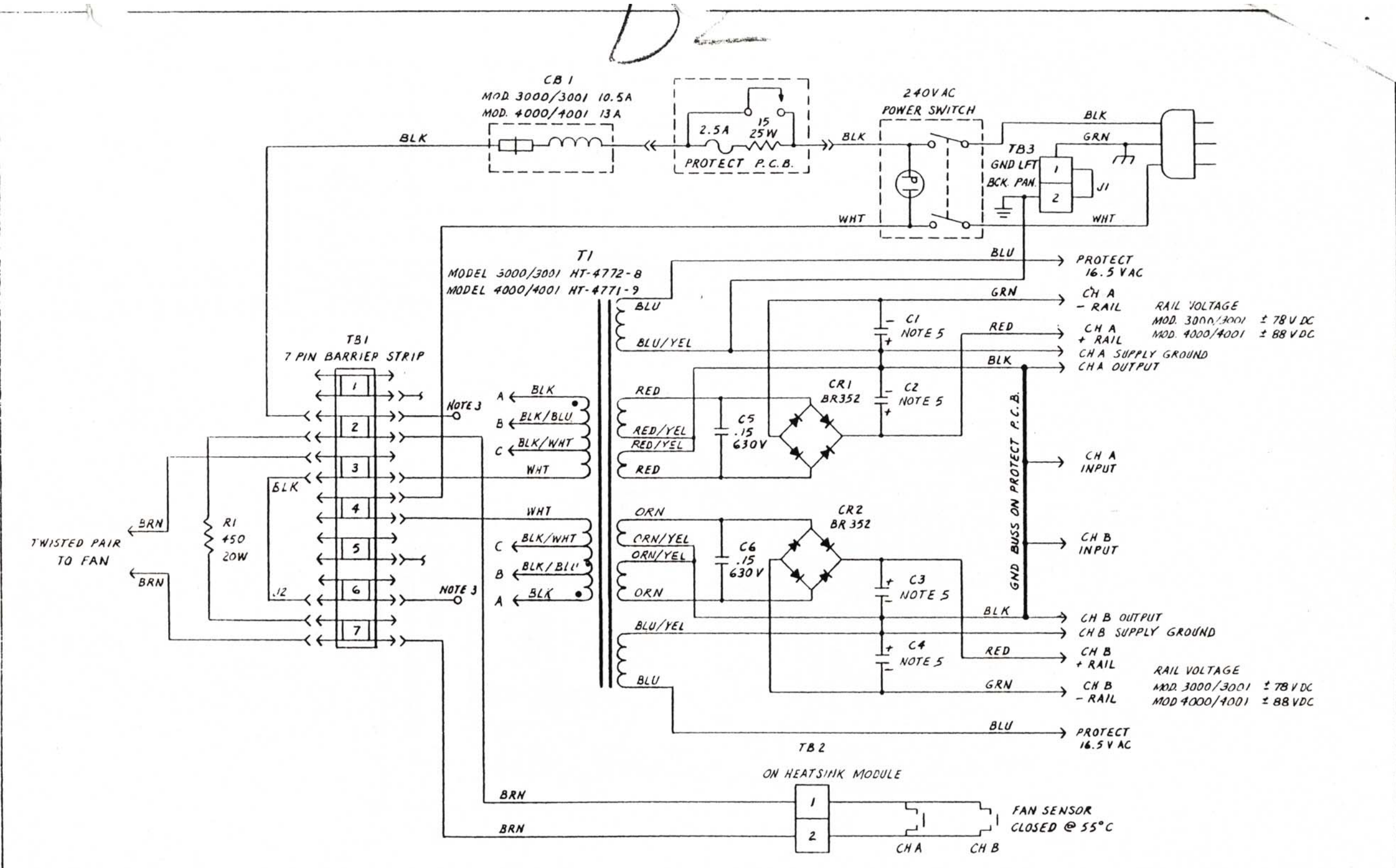
COMP. NOT INSTALLED BY  
OUTSIDE VENDOR

J2, J4,		
---------	--	--

LAST REF DES		REV	DESCRIPTION	DATE
USED	NOT USED			
		01	REDESIGN & REDRAW	11/11/83

DALLAS MUSIC INDUSTRIES HAWTHORNE, N.J. 07506		
DWN.: E.C.	11/11/83	CREST MODELS: 4000/4001/3000/3001 POWER AMPLIFIERS
APP: I.F.	DATE: 2/2/84	
TOL: XX: ±.02    Z: ±1° XXX: ±.01    FRACT: ±1/64		INPUT P.C.B.
MATL.:		ASSEMBLY DWG.
FINISH:		DWG. No.: 2202641
		REV: 01
SCALE: 2:1		DO NOT SCALE DRAWING





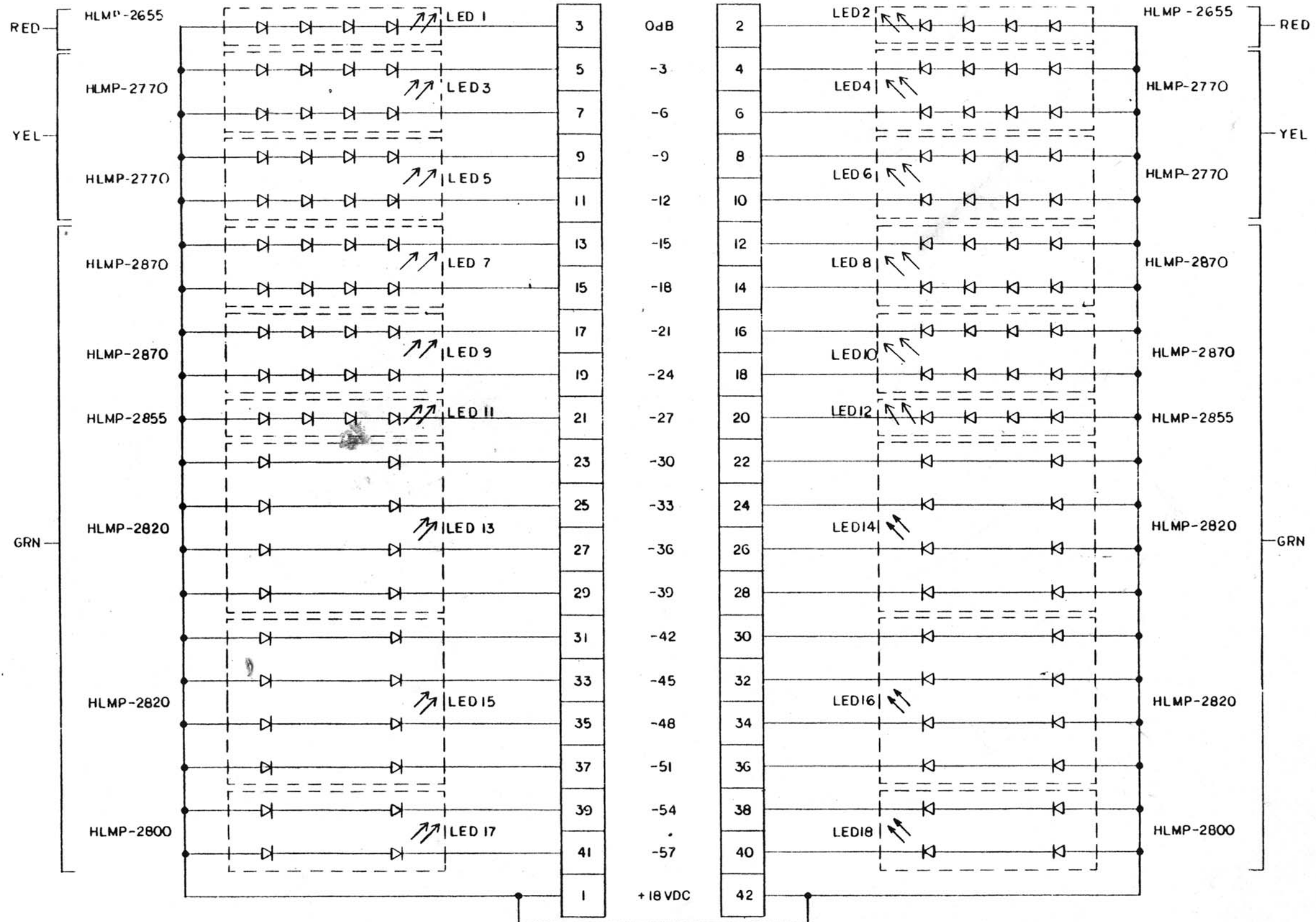
COMP. NOT INSTALLED BY OUTSIDE VENDOR	LAST REF DES.		NOTES	REV	DESCRIPTION	DATE
	USED	NOT USED				
	C6		1. J = JUMPER 2. FAN SENSOR LOCATED ON HEATSINK MODULE 3. XFMR TAB A = 240V B = 220V C = 200V 4. UNUSED XFMR TAB PER WINDING GOES TO TB1 PINS 1 & 5 5. MODELS 3000/3001 C1,C2,C3,C4 15000 80V MODELS 4000/4001 C1,C2,C3,C4 20000 90V			
	CB1					
	CR2					
	R1					
	S1					
	T1					
	TB3					

<b>CREST AUDIO</b> HAWTHORNE N.J. 07506	
OWN: E.N.	DATE: 9/23/85
APP: I.F.	DATE: 10/18/85
TOL: ±.02 < 2°	±.01 FRACT 2 1/64
MATL:	
FINISH:	
CREST MODELS 3000/3001/4000/4001 SERIES POWER AMPLIFIERS VOLTAGE CONVERSION AND POWER SUPPLY 200V - 240V SCHEMATIC DWG	
DWG. NO. 2103797	REV:



CH A



NOTES:

- 1) TB1 TERMINALS 1-21 & TB2 TERMINALS 22-42.

REV	DESCRIPTION	DATE
01	REDESIGN P.C.B.	2/8/82
02	REDESIGN P.C.B.	2/6/84

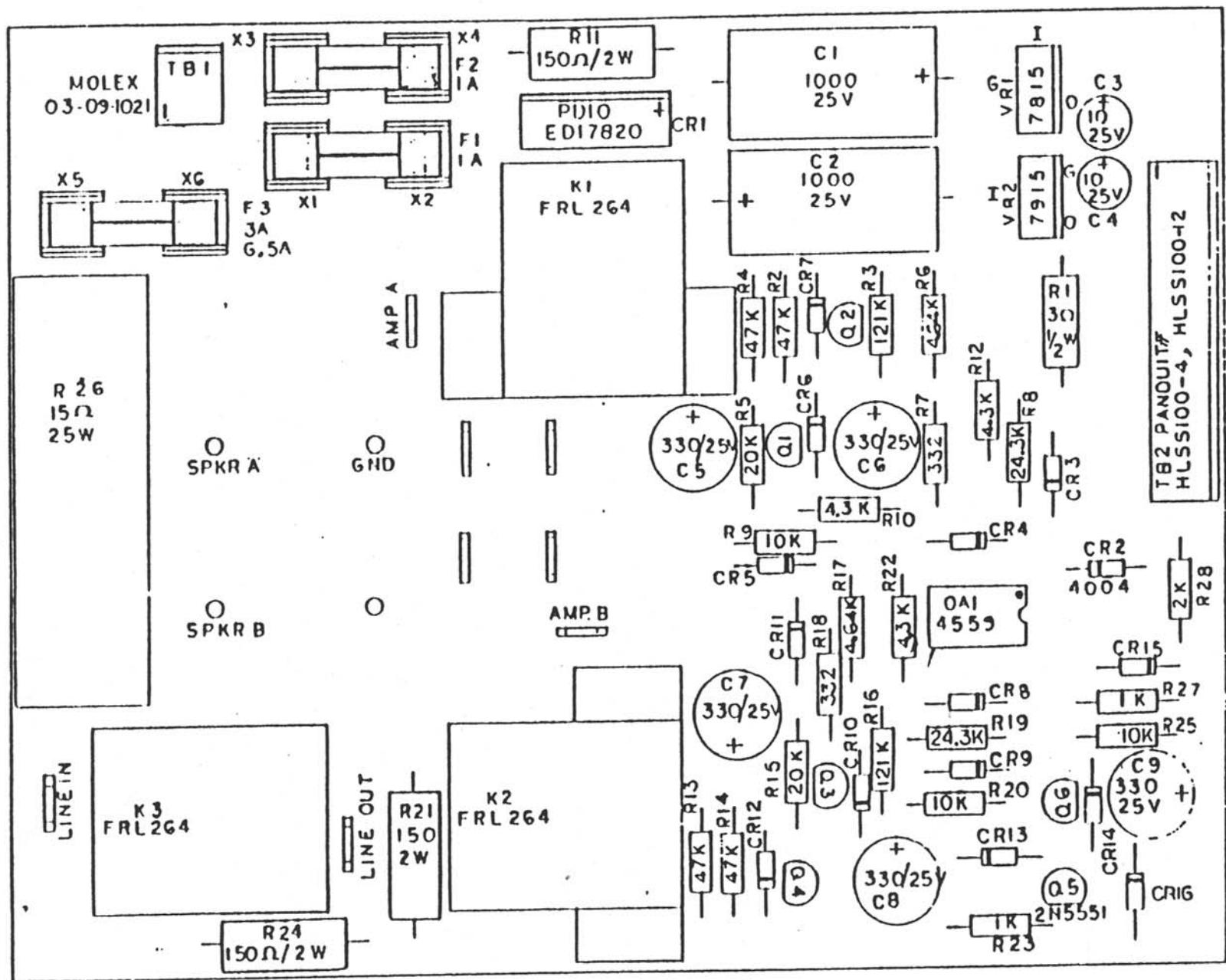


DWN	E.C.	DATE: 2/6/84	CREST MODEL 3000/300/4000/ 4001 POWER AMPLIFIERS METER ARRAY P.C.B. SCHEMATIC DWG.
APP	I.F.	DATE: 2/6/84	
TOL: XX ± .02 < ± 1° XXX ± .01 FRACT ± 1/64			DWG No. 2103379
MATERIAL:			
FINISH:			REV: 02
SCALE:			DO NOT SCALE DRAWING









TB2 PANQUIT#  
HLSS100-4, HLSS100-12

COMP NOT INSTALLED BY  
OUTSIDE VENDOR

LAST REF DES.	
USED	NOT USED
C9	
CRIG	
K3	
OAI	
Q6	
R28	

**NOTES**

- 1) ALL RESISTORS 1/4W, 1% UNLESS OTHERWISE SPECIFIED
- 2) ALL DIODES IN4148 UNLESS OTHERWISE SPECIFIED
- 3) ALL TRANSISTORS MPSA13 UNLESS OTHERWISE SPECIFIED
- 4) X1-X6 KEYSTONE # 3529

REV	DESCRIPTION	DATE
01	REDESIGN P.C.B.	3/13/84
02	CHANGE R8, R19 FROM 20K TO 24.3K	3/23/84
03	R25 FROM 75K TO 24.3K TO 10K	5/31/84

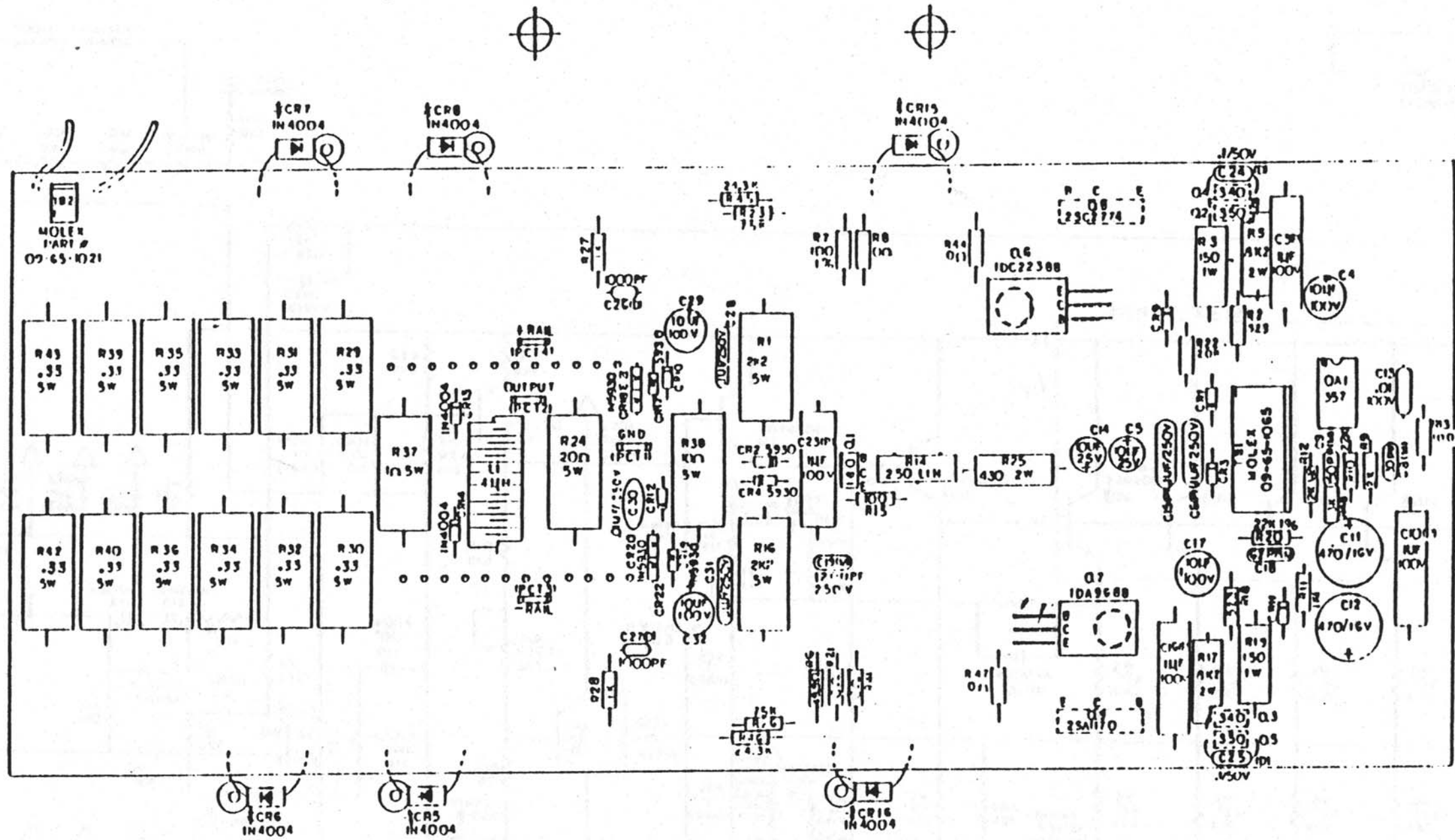
**DALLAS MUSIC INDUSTRIES**  
HAWTHORNE, N.J. 07508

DWN: E.C. DATE 3/13/84 CREST:  
APP: I.F. DATE 6/22/84  
TOL: ± .05 < .25°  
\*\*\* 2 01 PRACT 2/04

MODELS: 4000/1001/3000/3001  
POWER AMPLIFIERS

RELAY /PROJECT P.C.B.  
ASSY DIG

DWG N: 2203677



REV	DESCRIPTION	DATE	COMP. NOT INSTALLED BY	LAST REF DES.	NOTES	REV	DESCRIPTION	DATE
09	R7 & R17 WERE 30K 1/4W LI WAS 5.1K R19 - R42 WERE .25A. RE & R18 WERE 2W	12/1/83	OUTSIDE VENDOR	USED: C32, CR15, CR16, CR18, CR19, CR20, CR21, CR22, CR23, CR24, CR25, CR26, CR27, CR28, CR29, CR30, CR31, CR32, CR33, CR34, CR35, CR36, CR37, CR38, CR39, CR40, CR41, CR42, CR43, CR44, CR45, CR46, CR47, CR48, CR49, CR50, CR51, CR52, CR53, CR54, CR55, CR56, CR57, CR58, CR59, CR60, CR61, CR62, CR63, CR64, CR65, CR66, CR67, CR68, CR69, CR70, CR71, CR72, CR73, CR74, CR75, CR76, CR77, CR78, CR79, CR80, CR81, CR82, CR83, CR84, CR85, CR86, CR87, CR88, CR89, CR90, CR91, CR92, CR93, CR94, CR95, CR96, CR97, CR98, CR99, CR100	ALL RESISTORS 1/2W 1% UNLESS OTHERWISE SPECIFIED 2% CAPACITORS: 10% DISC, 10% MIC, 10% POLY 3% PARTS ON HEAT SINK ALL NODES W/1414R UNLESS OTHERWISE SPECIFIED SI REV. 1, 2, 3, 4, 5 SEE DWG # 2104647-05 IC OBSOLETE FILE GI GGG CQY ATTACH WITH PEN #17 #FS2-632	06	REDESIGN P.C.B.	1/17/84
						07	ADD RESISTOR R45 4K 1/4W 5% ADD RESISTOR R46 10K 1/4W 5% ADD DIODES R17, R19, R20, R21, R22, R23, R24, R25, R26, R27, R28, R29, R30, R31, R32, R33, R34, R35, R36, R37, R38, R39, R40, R41, R42, R43, R44, R45, R46, R47, R48, R49, R50, R51, R52, R53, R54, R55, R56, R57, R58, R59, R60, R61, R62, R63, R64, R65, R66, R67, R68, R69, R70, R71, R72, R73, R74, R75, R76, R77, R78, R79, R80, R81, R82, R83, R84, R85, R86, R87, R88, R89, R90, R91, R92, R93, R94, R95, R96, R97, R98, R99, R100	2/1/84
						08	CHANGE R27, R28 FROM 450OH 2W TO 200OH 2W CHANGE CR19 FROM 50PF TO 62PF CHANGE R27, R28 FROM 450OH TO 200OH CHANGE R23 TO 200OH FROM 100OH	2/1/84

DALLAS MUSIC INDUSTRIES  
MULTIMEDIA, INC.

DESIGNED BY	DATE	REV
E.C.	1/17/84	06
DRN		07
CHECKED BY		08
DATE		
1/17/84		

CREST  
MODELS: 1000/1001/1002/1003  
HEAT SINK P.C.B.  
ASSEMBLY DWG.

SCALE: 1:1 100 NOT SCALE DRAWING