

MODEL	R SELECT	LAST REF	DES	NOTES:
4000		USED		
5000	2K, 10%	NOT USED		

USED	NOT USED
R26	
C5	
CR6	
LED6	
OAS	
T84	

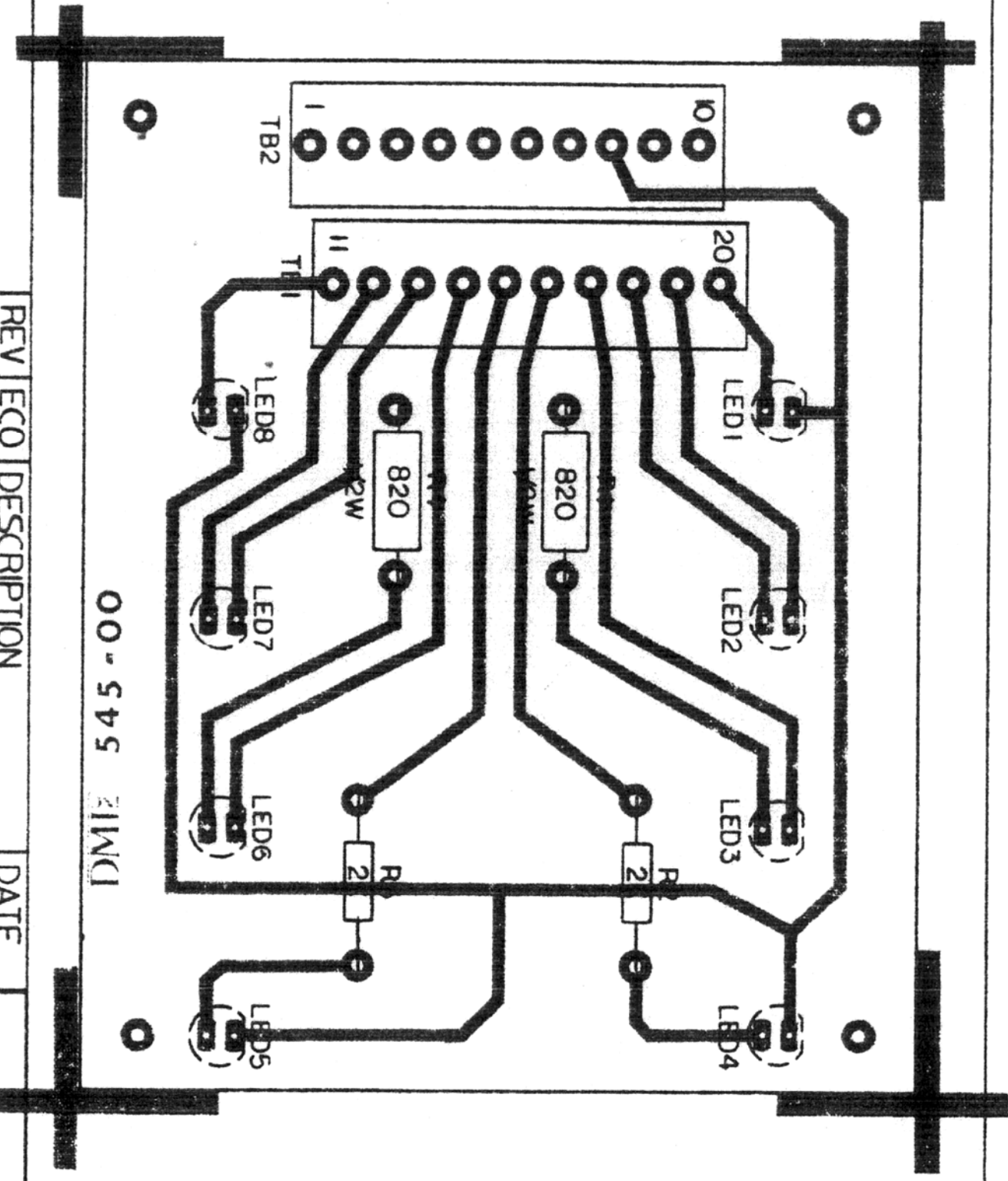
REV	ECO	DESCRIPTION	DATE

DALLAS MUSIC INDUSTRIES  
 HAWTHORNE, N.J. 07036

DATE: 04/26/82  
 BY: JLD  
 CHECKED: JLD  
 TOL: 0.01  
 FINISH: 0.005  
 MTL: 0.005

CHEST: HORNOLA 4000 & 5000 SERIES  
 POWER AMPLIFIERS  
 MAIN WIRING E.C.L.B.

SCHEMATIC  
 DWG. NO.: 21039A1  
 SCALE: -- DO NOT SCALE DRAWING



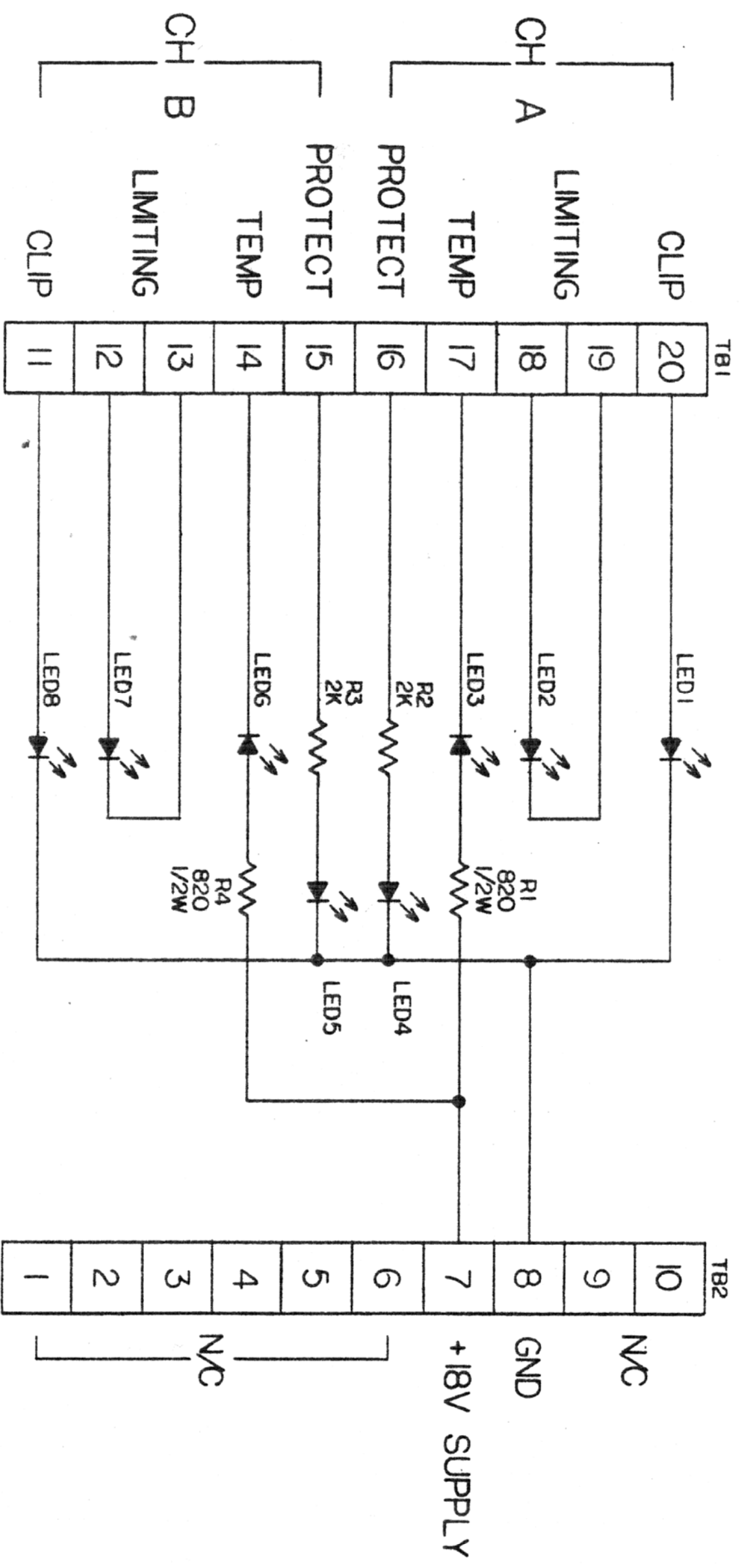
NOTES:  
 1) LEDS MOUNT ON SOLDER SIDE  
 2) LEDS ARE RED

REV	ECO	DESCRIPTION	DATE

DALLAS MUSIC INDUSTRIES  
 HAWTHORNE, N.J. 07506

DWR: JJD	DATE: 04/28/82	CREST:
APP: <i>[Signature]</i>	DATE: <i>[Signature]</i>	MODEL 5001 SERIES POWER AMPLIFIER
TOL: ±.02	Z: ±10	LED PROTECT P.C.B.
FR: ±.01	FRACT: ±1/64	ASSEMBLY DWG.
MATL:		
FINISH:		

DWG. NO.: 2202545	REV: 00
SCALE: 2:1	DO NOT SCALE DRAWING

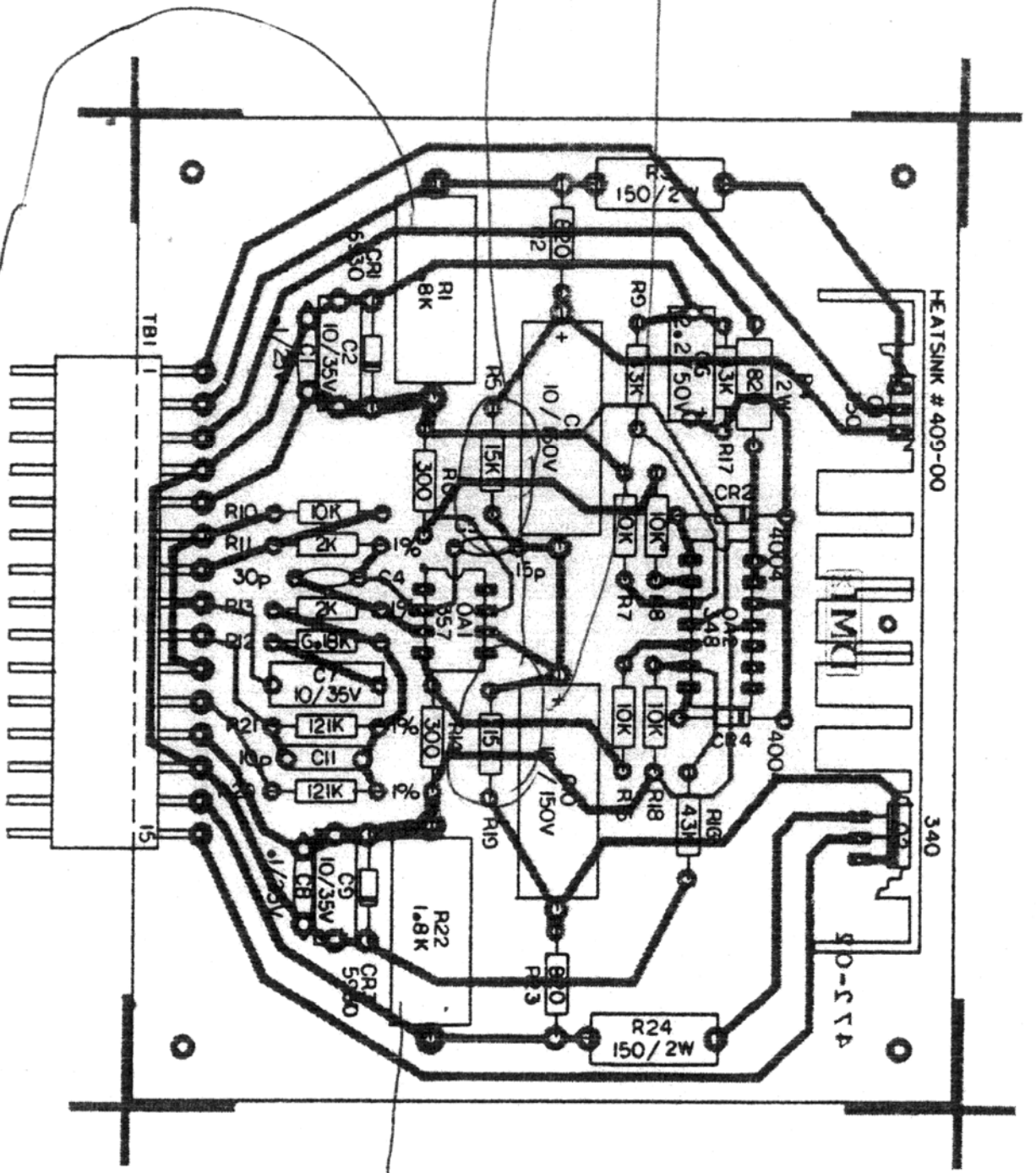


LAST REF	DES	NOTES:	REV	ECO	DESCRIPTION	DATE
USED	NOT USED	1) LEDs ARE RED 2) N/C- NO CONNECTION 3) R2 & 3 ARE 1/4W				
R4						
LED8						
TB2						

**DALLAS MUSIC INDUSTRIES**  
HAWTHORNE, N.J. 07506

DWN: JJD	DATE: 7/28/82	CREST:
APP: <i>[Signature]</i>	DATE: <i>[Signature]</i>	MODEL 5901 SERIES POWER AMPLIFIER
TOL: 1.02	4: ±1°	LED PROTECT P.C.B.
FRACT: 1/64		
MATEL:		
FINISH:		
DWG. N.:	2102545	REV: 00
SCALE: --	DO NOT SCALE DRAWING	

R5 + R19  
15K 1w  
Metal oxide

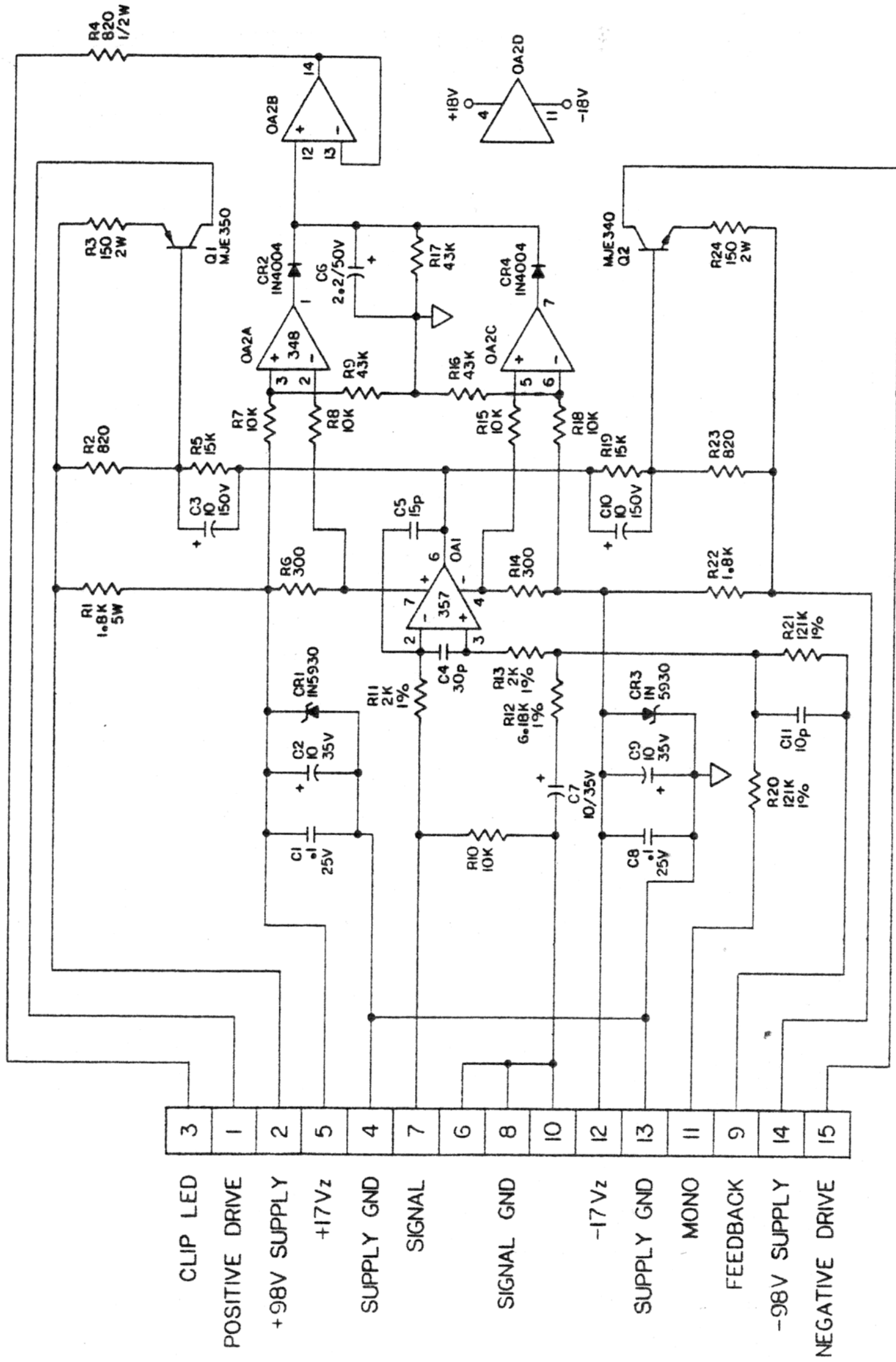


R1 + R22  
2K 8w

LAST REF DES NOTES:		REV	ECO	DESCRIPTION	DATE
USED	NOT USED				
R24					
C11					
CR4					
OA2					
O2					

DALLAS MUSIC INDUSTRIES HARTSHORN, N.J. 07128		DATE: 7/6/82	APP: JPD
CREST:		DATE: 7/6/82	APP: JPD
MODELS 5000 & 5001 SERIES		TOL: ± 0.2	DATE: 7/6/82
POWER AMPLIFIERS		FRAC: 1/16	DATE: 7/6/82
FRONT END P.C.B.		MATERIAL	
ASSEMBLY DWG.		FINISH	
DWB NO: 2203472		SCALE: 2:1	
REV: 00		DO NOT SCALE DRAWING	



- 3 CLIP LED
- 1 POSITIVE DRIVE
- 2 +98V SUPPLY
- 5 +17Vz
- 4 SUPPLY GND
- 7 SIGNAL
- 6 SIGNAL GND
- 8 SIGNAL GND
- 10 -17Vz
- 12 SUPPLY GND
- 13 MONO
- 11 FEEDBACK
- 9 -98V SUPPLY
- 14 NEGATIVE DRIVE
- 15

LAST REF DES NOTES:

USED	NOT USED
R24	
C11	
CR4	
OA2	

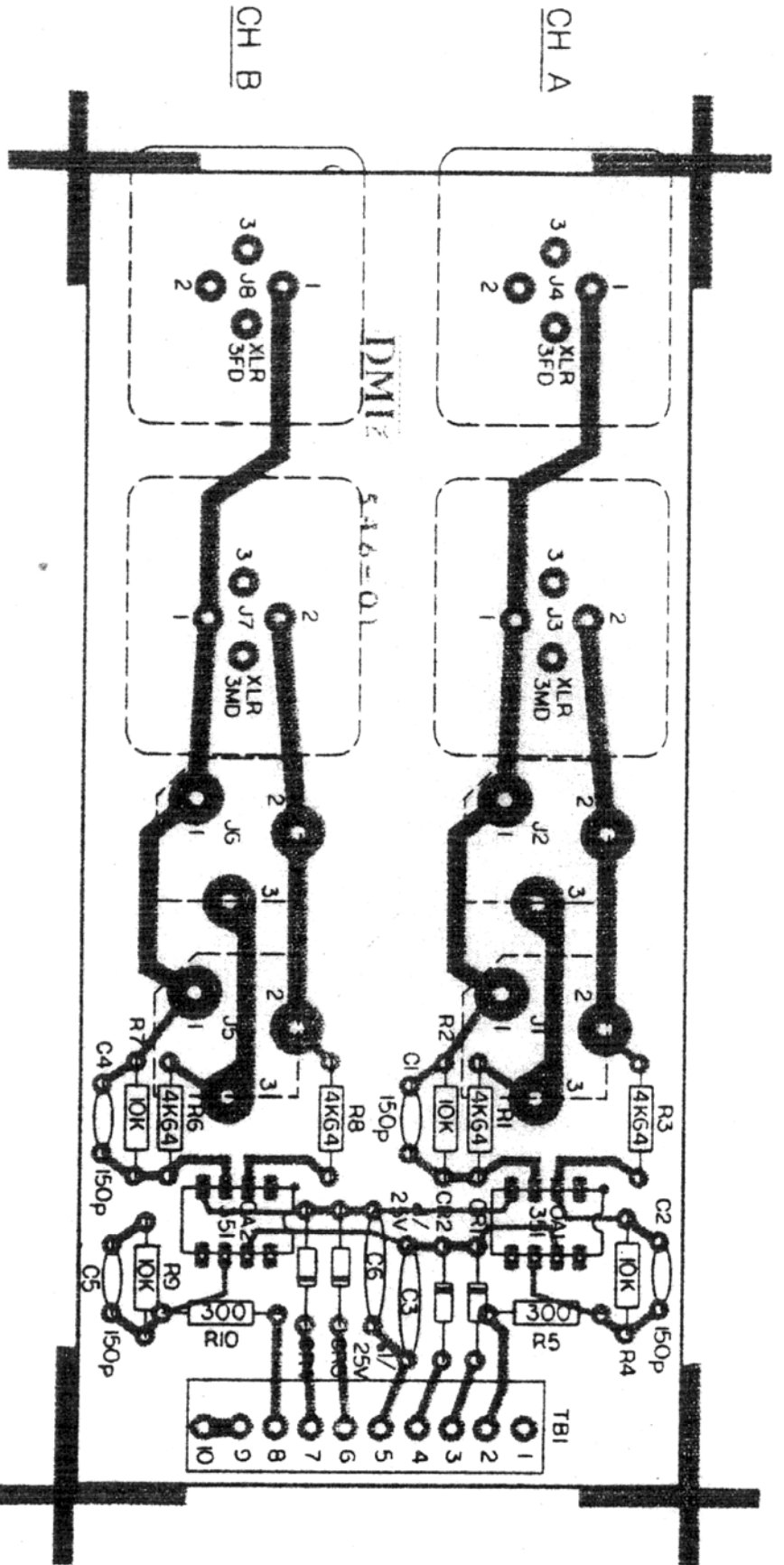
REV ECO DESCRIPTION

DATE

OWN: JJD	DATE: 9/25/82	CREST:
APP: [Signature]	DATE: 6-27-84	MODELS 5000 & 5001 SERIES
TOL: 2 OR 4 2 1'	*** 2.01 PRAC 2 1/64	POWER AMPLIFIERS
		FRONT END P.C.B.

DALLAS MUSIC INDUSTRIES  
HAWTHORNE, N.J. 07606





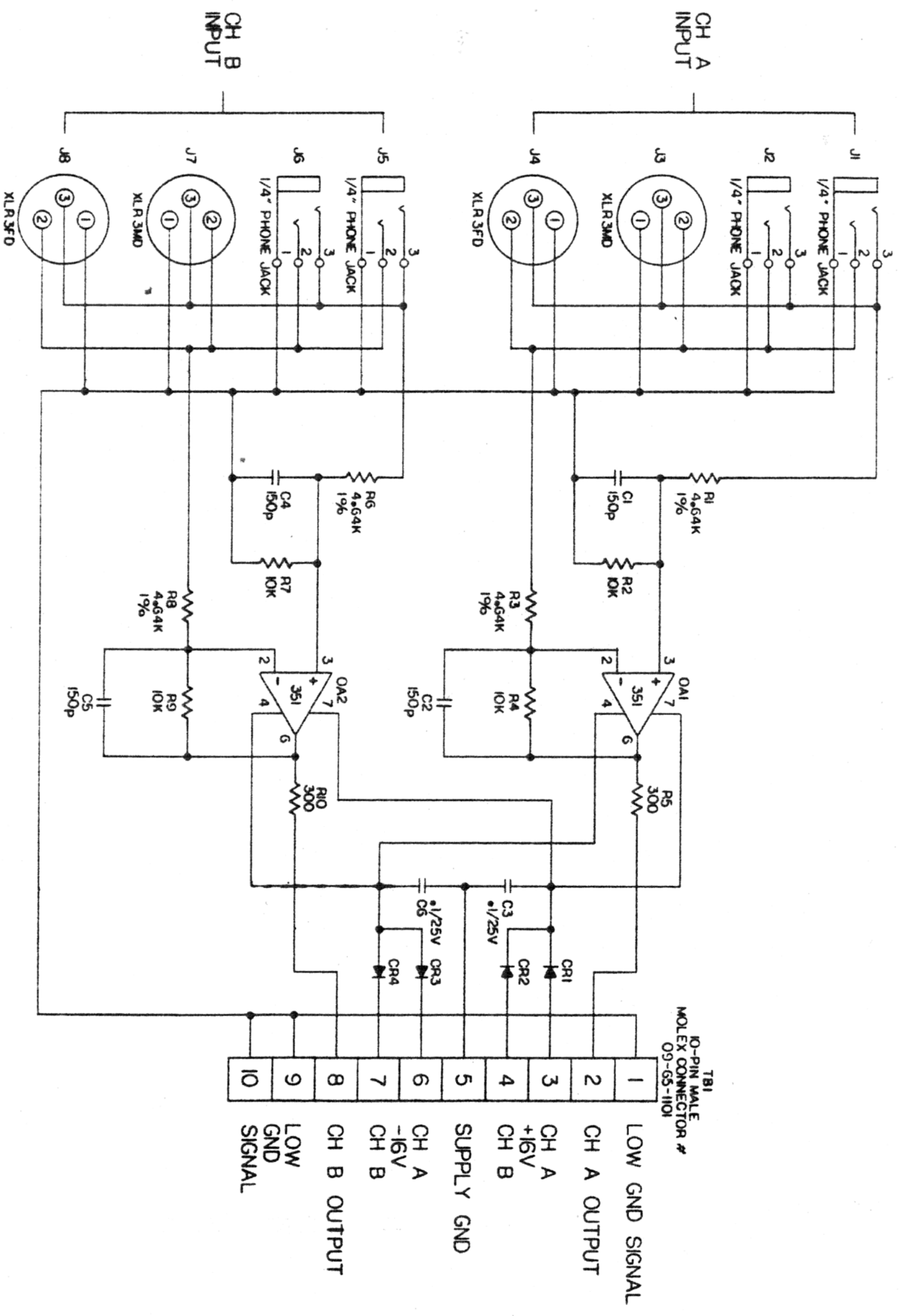
LAST REF DES	NOT USED	NOT USED	NOTES:	REV	ECO	DATE
USED			1) ALL DIODES, CRI-48 IN4004			
R10			2) J1,2,5,6 ARE 1/4" PHONE JACKS,			
U6			PART NO N112BPC			
CR4						
J8						
OA2						
TBI						

**DALLAS MUSIC INDUSTRIES**  
HAWTHORNE, N.J. 07106

DATE	7/7/82	DATE	7/7/82
APP	JJD	DATE	7/7/82
TOL	2.02	DATE	7/7/82
***	2.01	FRAC	2/1/84

CREST: MODEL 5000 & 5001 SERIES POWER AMPLIFIERS  
INPUT P.C.B.  
ASSEMBLY DMC.

DWG NO. 2203546  
SCALE 2:1 NO NOT SCALE DRAWING

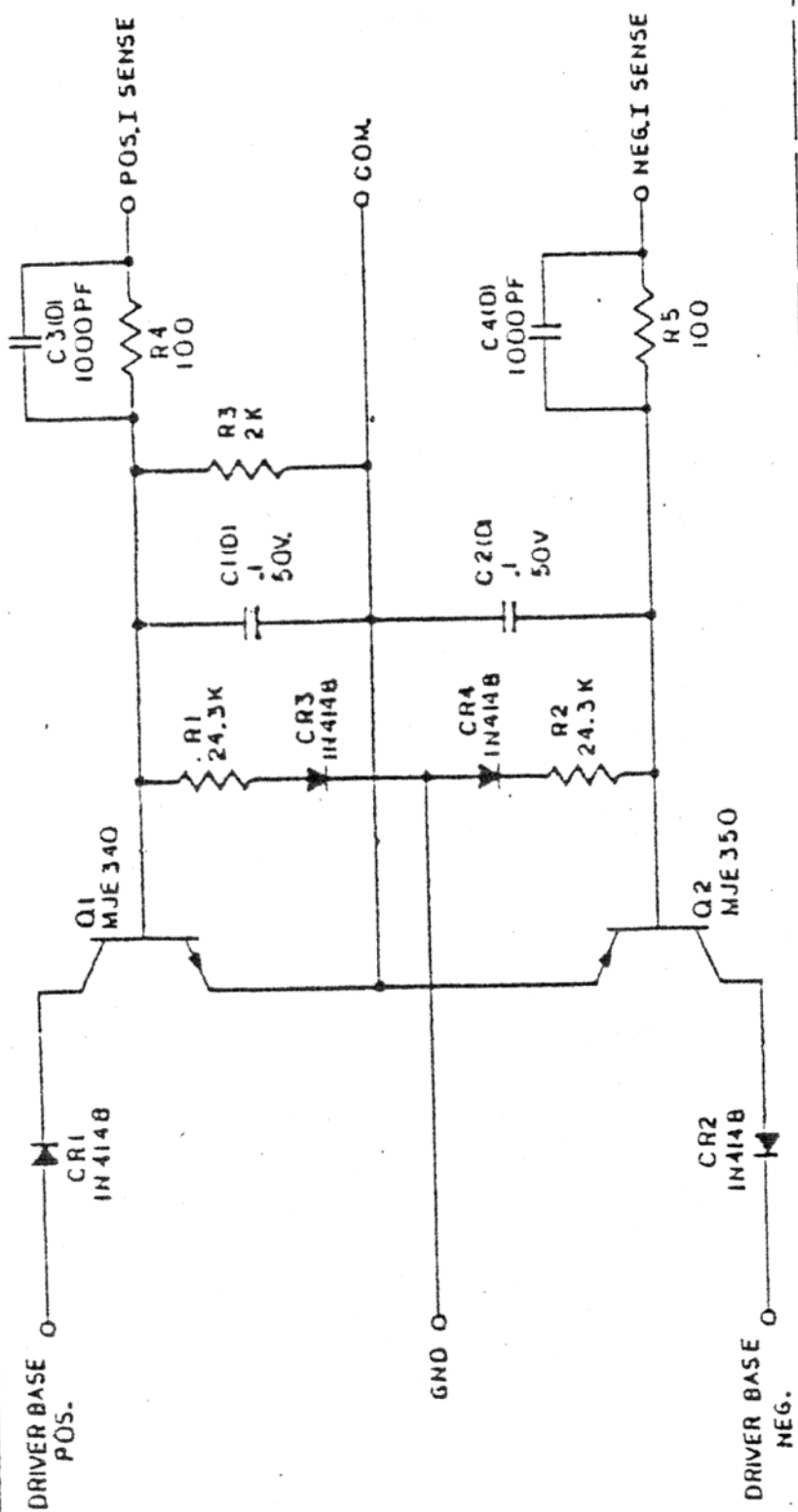


LAST REF DES		NOTES:	
USED	NOT USED		
		1) 1/4" PHONE JACKS, J1,2,5,6 & NI12BPC	
		2) RESISTORS & 1/4W	
		3) DIODES IN4004	

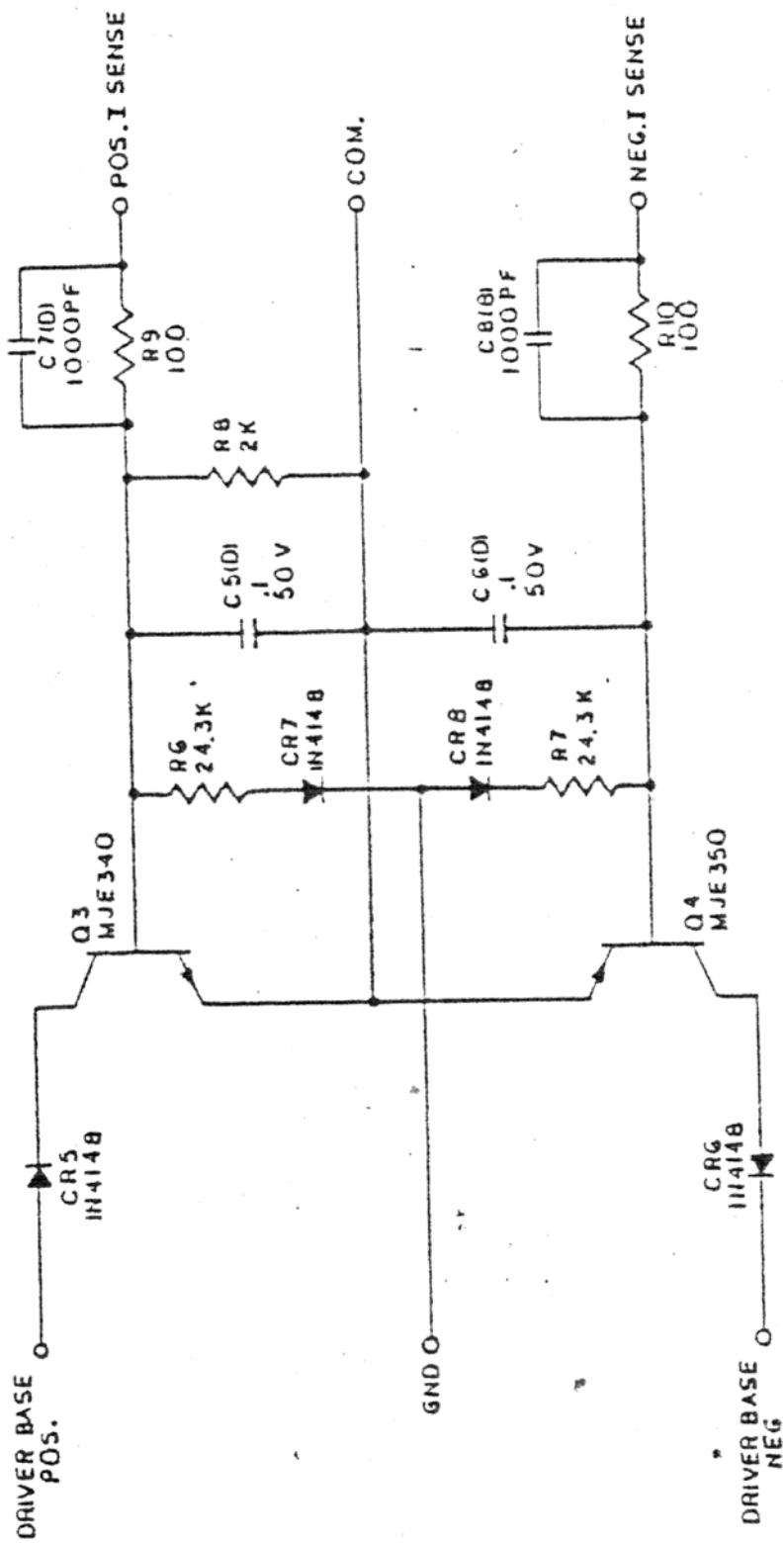
REV	ECO	DESCRIPTION	DATE

DALLAS MUSIC INDUSTRIES	
NAWTHORNE, N.J. 07098	
OWN	DATE
JDB	9/9/82
APP.	DATE
	2-2-82
TOL: 0.01	
MFG: 01 PRACT 51%	
MATERIAL:	
PCB: MATTEC	
DWG NO: 2103546	
SCALE: -- DO NOT SCALE DRAWING	



CHA A



CHA B

LAST REV DES		NOT USED	REV DESCRIPTION	DATE
USED				
C B				
CR B				
Q 4				
R 10				

NOTES

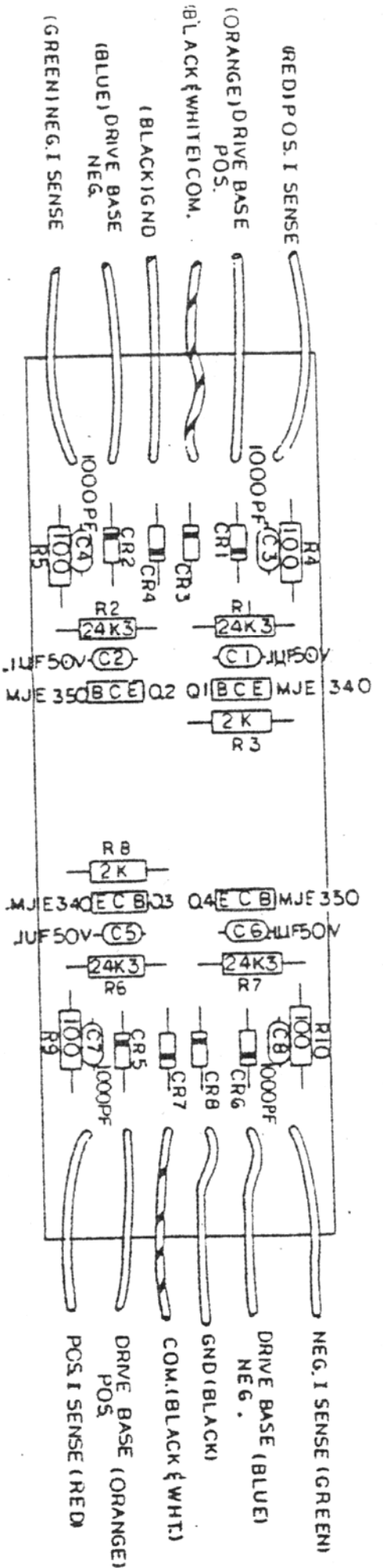
- 1) ALL RESISTORS 1/4W, UNLESS OTHERWISE SPECIFIED
- 2) ALL CAPACITORS 50V, UNLESS OTHERWISE SPECIFIED

DALLAS MUSIC INDUSTRIES  
HAWTHORNE, N.J. 07036

DATE: 8/15/83  
APP: J.E.  
TOL: J.L.  
REV: 1.01  
MATERIAL: FRACE 1/4

CREST: MODELS 5000/5001 SERIES POWER AMPLIFIERS  
V.L. LITTING P.C.D.  
SCHEMATIC DWG.





CHA A

CHA B

CCMP, NOT INSTALLED BY  
OUTSIDE VENDOR

LAST REV DES.  
USED NOT USED

CB	
CR8	
Q4	
R10	

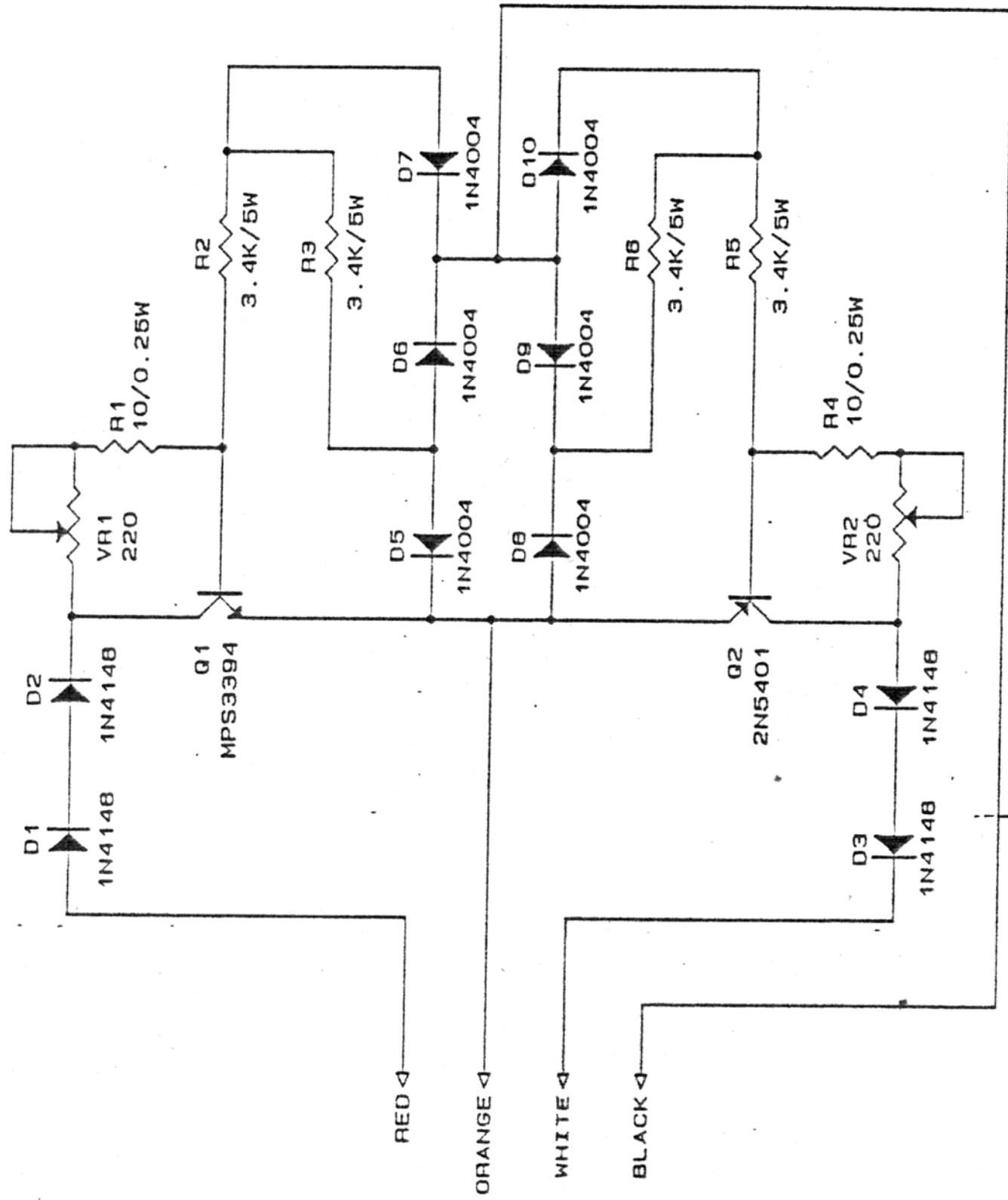
NOTES  
1) ALL RESISTORS 1/4W, UNLESS OTHERWISE SPECIFIED  
2) ALL DIODES IN 414B, UNLESS OTHERWISE SPECIFIED

REV DESCRIPTION  
01 CHANGE Q1 & Q3 FROM MJE 180 TO MJE 340 - Q2 & Q4 FROM MJE 170 TO MJE 350

DATE  
10-26-83

DALLAS MUSIC INDUSTRIES  
HAWTHORNE, N.J. 07086  
OWN: E.C. DATE: 8/15/83  
APP: J.P. DATE: 2/14/84  
TOL: 1/16" DATE: 4/1/84  
REV: 1.01 FRAC: 1/16"  
MATERIAL:  
MODEL: 5000/5001 SERIES  
POWER AMP. PLATE  
V.L. LITTING P.C.B.  
ASSEMBLY DMG.  
DWG NO.: 2205610  
SCALE: 2:1 DO NOT SCALE DRAWING

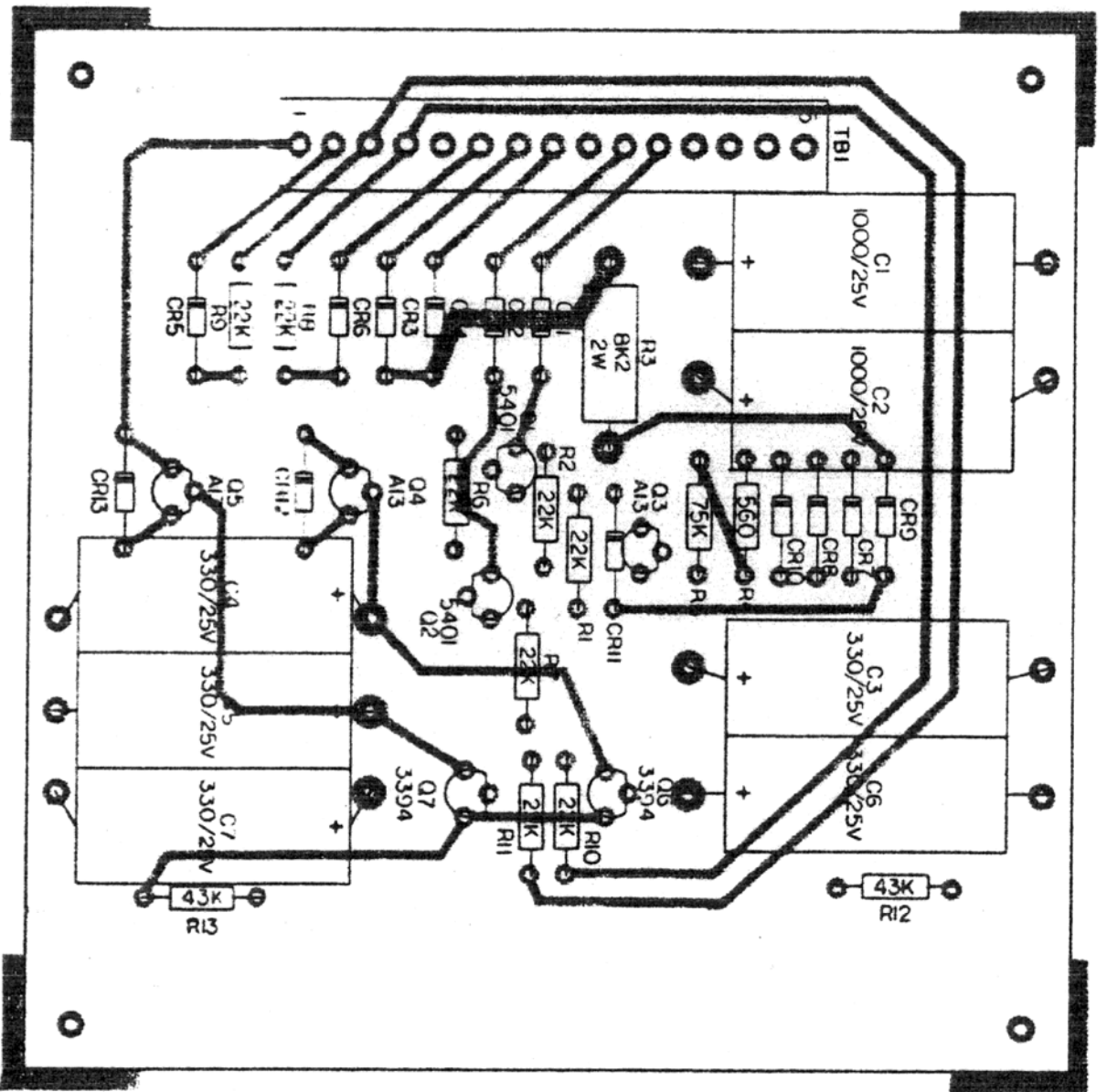
REV: 01



8	7	6	5	4	3	2	1
D	C	B	A				
CREST AUDIO HAWTHORNE, NJ 07608							
Title 5000/5001 2 OHM LIMITER PCB							
Size Document Number A 2101610							
Date: 3 Apr 11 1989 Sheet 1 of 1							
REV O1							







LAST REF DES

USED	NOT USED

NOTES:  
 1) ALL DIODES IN4004  
 2) UNSPECIFIED RESISTORS 1/4W

REV ECO DESCRIPTION

DATE

DALLAS MUSIC INDUSTRIES  
 HAWTHORNE, N.J. 07608

OWN JJD DATE 8/9/82

APP DATE 8/11/82

TOL 02 2.10

\*\*\* 2 01 PRACT 2 1/64

MATL

FINISH

CREST:

MODELS 5000 & 5001 SERIES  
 POWER AMPLIFIERS

RELAY/PROTECT P.C.B.

SCHEMATIC

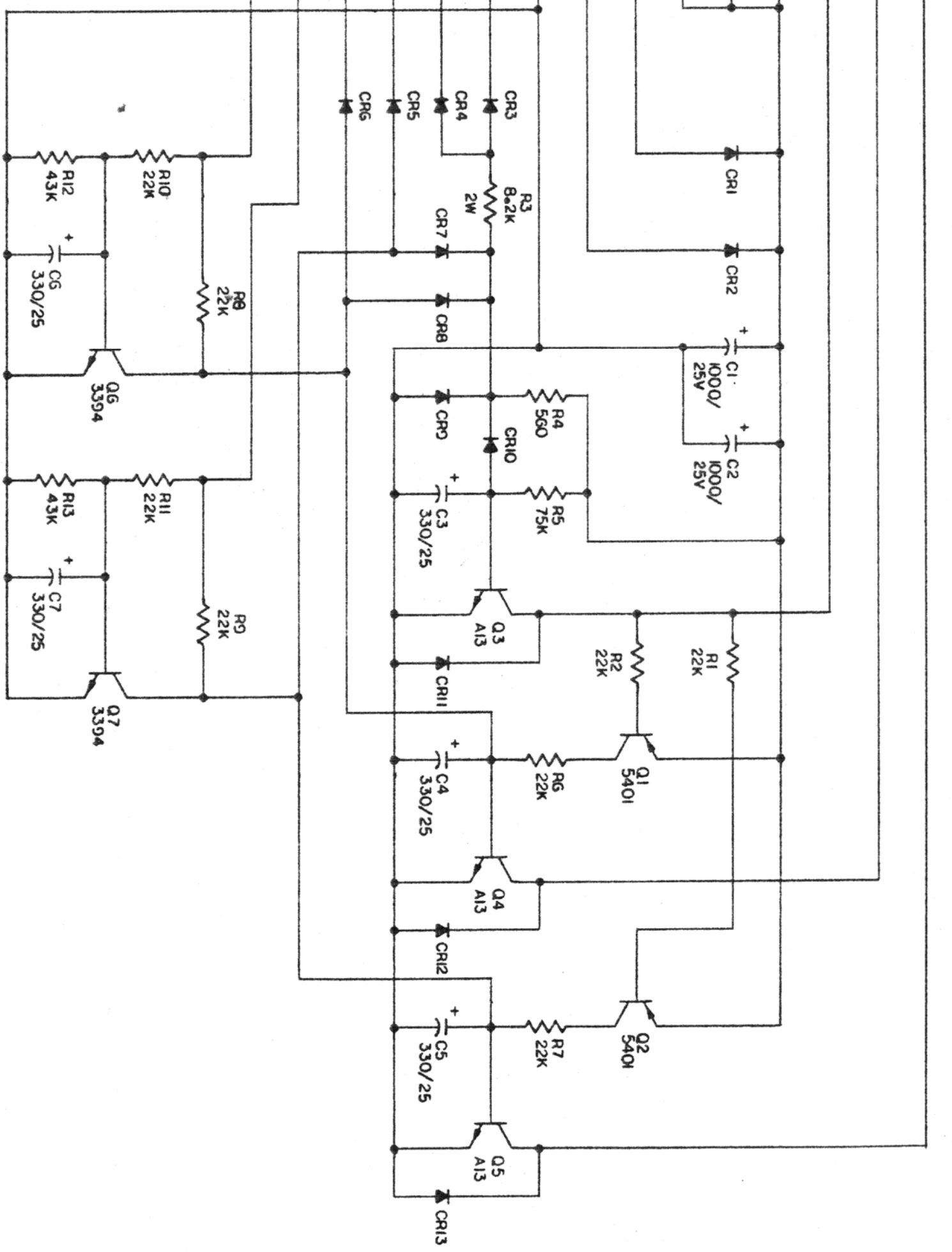
DWG NO. 2203553

SCALE 2:1 DO NOT SCALE DRAWINGS

REV 00

- CH. A RELAY
- CH. B RELAY
- SURGE RELAY
- CH. A/B RELAY
- SURGE RELAY
- +17V METER SUPPLY
- CH. A 12VAC
- CH. B 12VAC
- GND
- CH. A -98V SUPPLY
- CH. B -98V SUPPLY
- CH. A TEMP
- CH. B TEMP
- CH. A PROTECT
- CH. B PROTECT

- 1
- 5
- 9
- 12
- 13
- 14
- 11
- 10
- 15
- 7
- 8
- 2
- 6
- 3
- 4
- T81



LAST REF DES

NOT USED

NOT USED

NOT USED

NOT USED

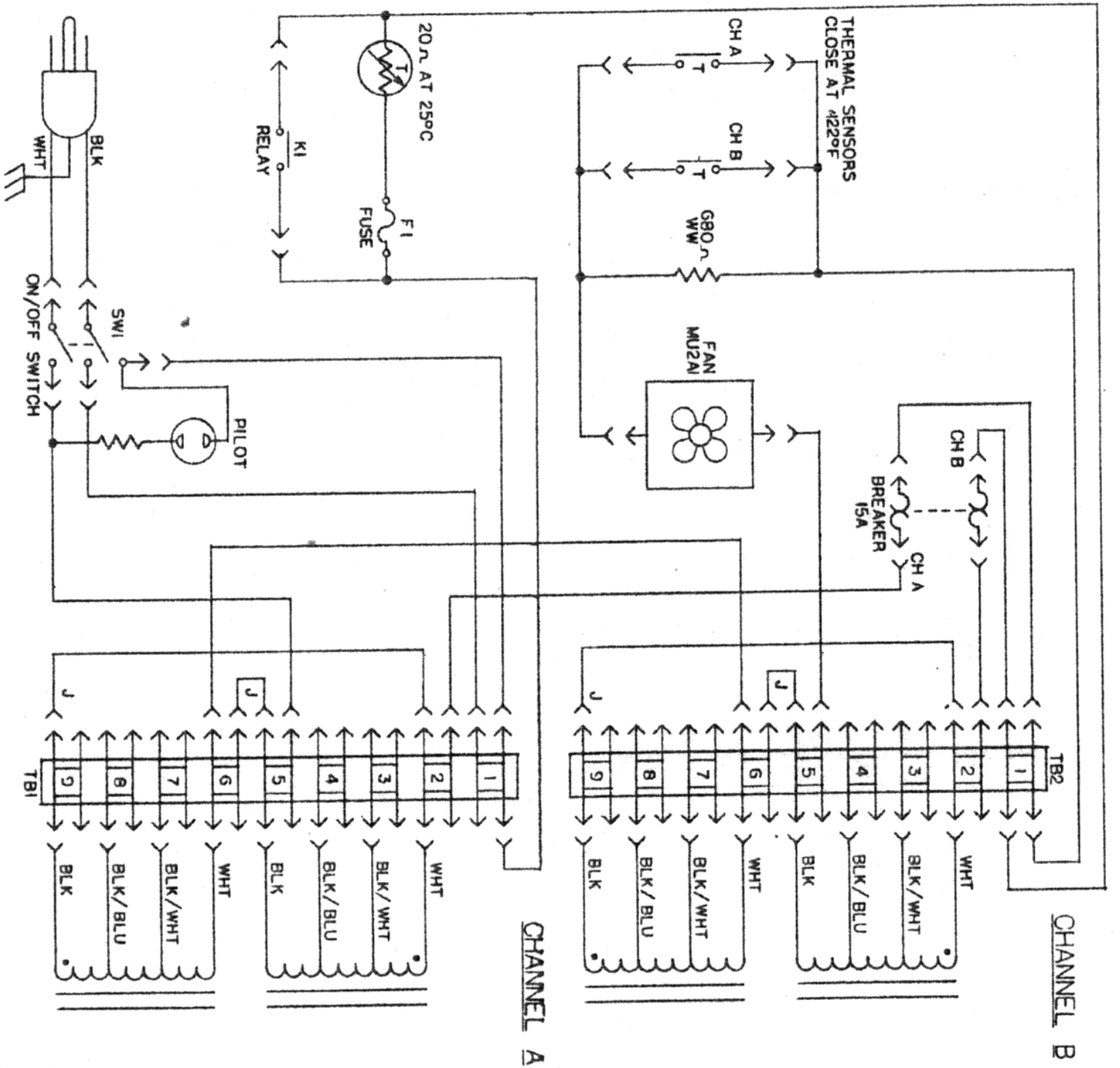
- 1) ALL DIODES IN4004
- 2) UNSPECIFIED RESISTORS 1/4W

REV	ECO	DESCRIPTION	DATE

DALLAS MUSIC INDUSTRIES HAWTHORNE, N.J. 07008	
OWN: JMB	DATE: 8/29/82
APP: [Signature]	DATE: 8/23/82
TOL: 1.0%	4. 1"
SEE 2.01	FRACE 2 1/4"
MATERIAL:	
SCHEMATIC	
OWN. NO.: 2103553	REV: 00
SCALE: -- 80 NOT SCALE DRAWING	





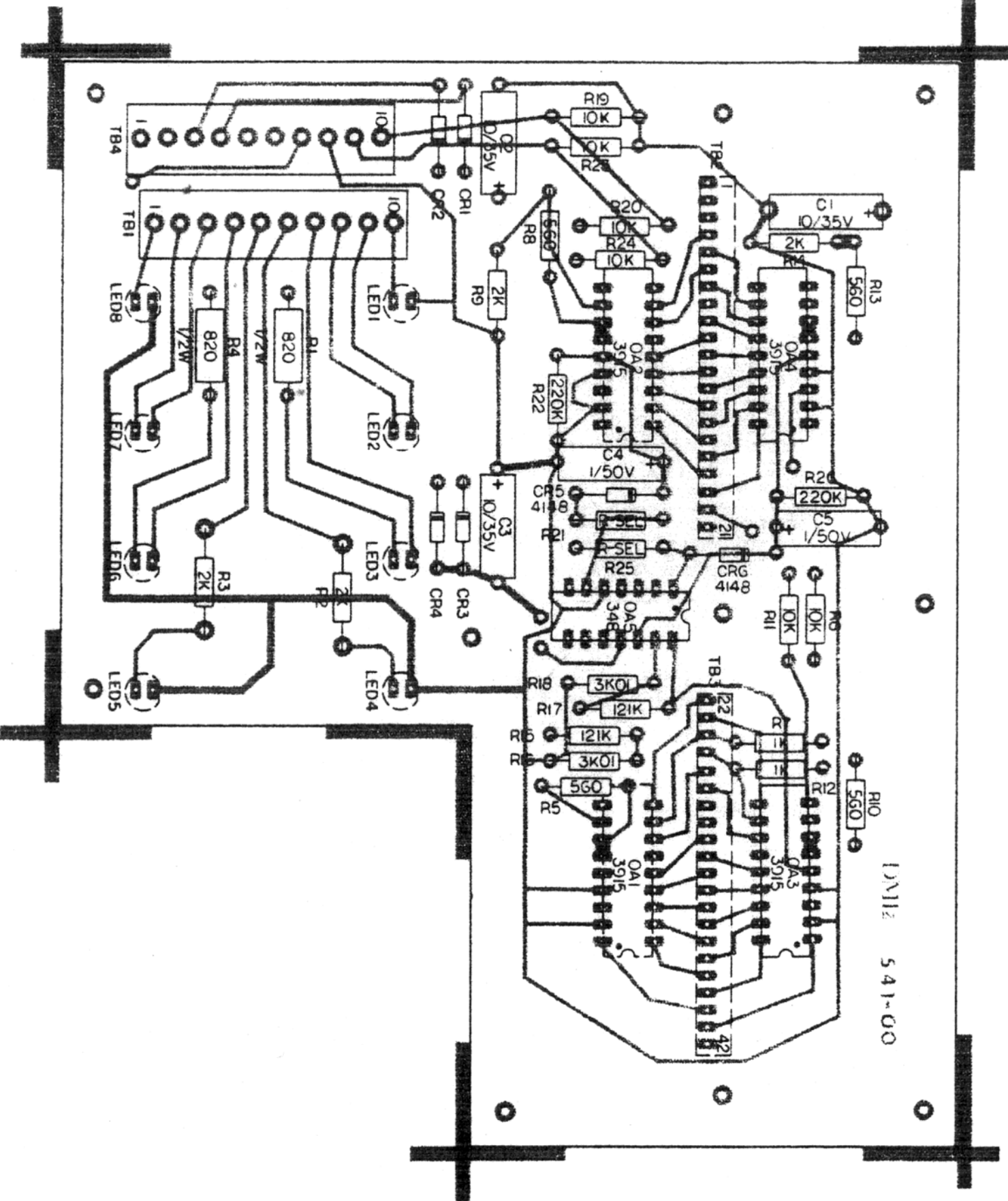
120V TRANSFORMER WIRING

- NOTES:
- 1) J - JUMPER
  - 2) THERMAL SENSORS & FAN LOCATED ON HEATSINK MODULE

REV	ECO	DESCRIPTION	DATE

DALLAS MUSIC INDUSTRIES HAWTHORNE, N.J. 07998		DATE: 5/28/82
DWG: JMB	APP: JMB	CHK: JMB
TOL: 1.02	FRAC: 1/64	SCALE: 1"=1'-0"
CREST: KODAK 5000 & 5001 SERIES POWER AMPLIFIERS TRANSFORMER WIRING DIAGRAM (120V) ASSEMBLY DWG.		
DWG N°: 2203595	REV: 01	SCALE: -- DO NOT SCALE DRAWING



LN112 541-00

LAST REF DES NOTES:

- 1) ALL LEDs, OA1,2, TB2,3 MOUNT ON SOLDER SIDE
- 2) R21 & 25, R SELECT IN TEST

USED	NOT USED	REV	ECO	DESCRIPTION	DATE
R26					
C5					
LED8					
OA5					
TB4					

DALLAS MUSIC INDUSTRIES HAWTHORNE, N.J. 07108	
OWN: JJD	DATE: 04/27/82
APP: [Signature]	DATE: [Signature]
CREST: MODEL 5000 SERIES PMR AMPLIFIER MAIN CENTER E.C.B. ASSEMBLY DWG.	
DWG NO: 2203541	REV: 00
SCALE: 2:1 OR NOT SCALE DRAWING	