

MODEL	R SELECT	LAST REF	DES	NOTES:
4000		USED		
5000	2K, 10%		NOT USED	

USED	NOT USED
R26	
C5	
CR6	
LED6	
OAS	
T8A	

REV	ECO	DESCRIPTION	DATE

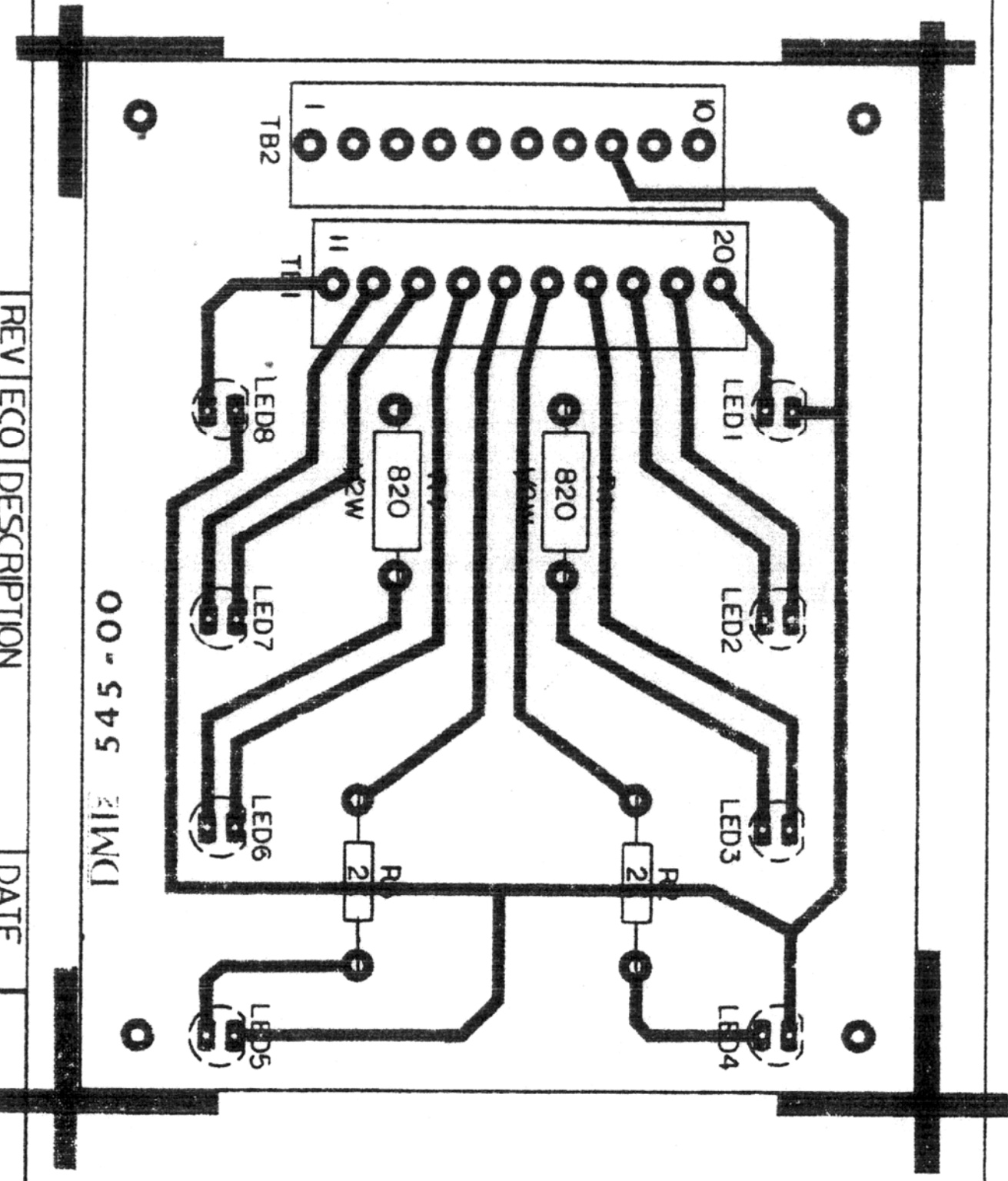
DATE

DALLAS MUSIC INDUSTRIES
 HAWTHORNE, N.J. 07036

DATE: 04/26/82
 DRAWN: JLD
 CHECKED: [Signature]
 TOL: 0.01
 FINISH: 0.005
 MTL: 0.002

CHEST: HORNOLA 4000 & 5000 SERIES
 POWER AMPLIFIERS
 MAIN WIRING E.C.L.B.

SCHEMATIC
 SWR No.: 21039A1
 SCALE: -- DO NOT SCALE DRAWING



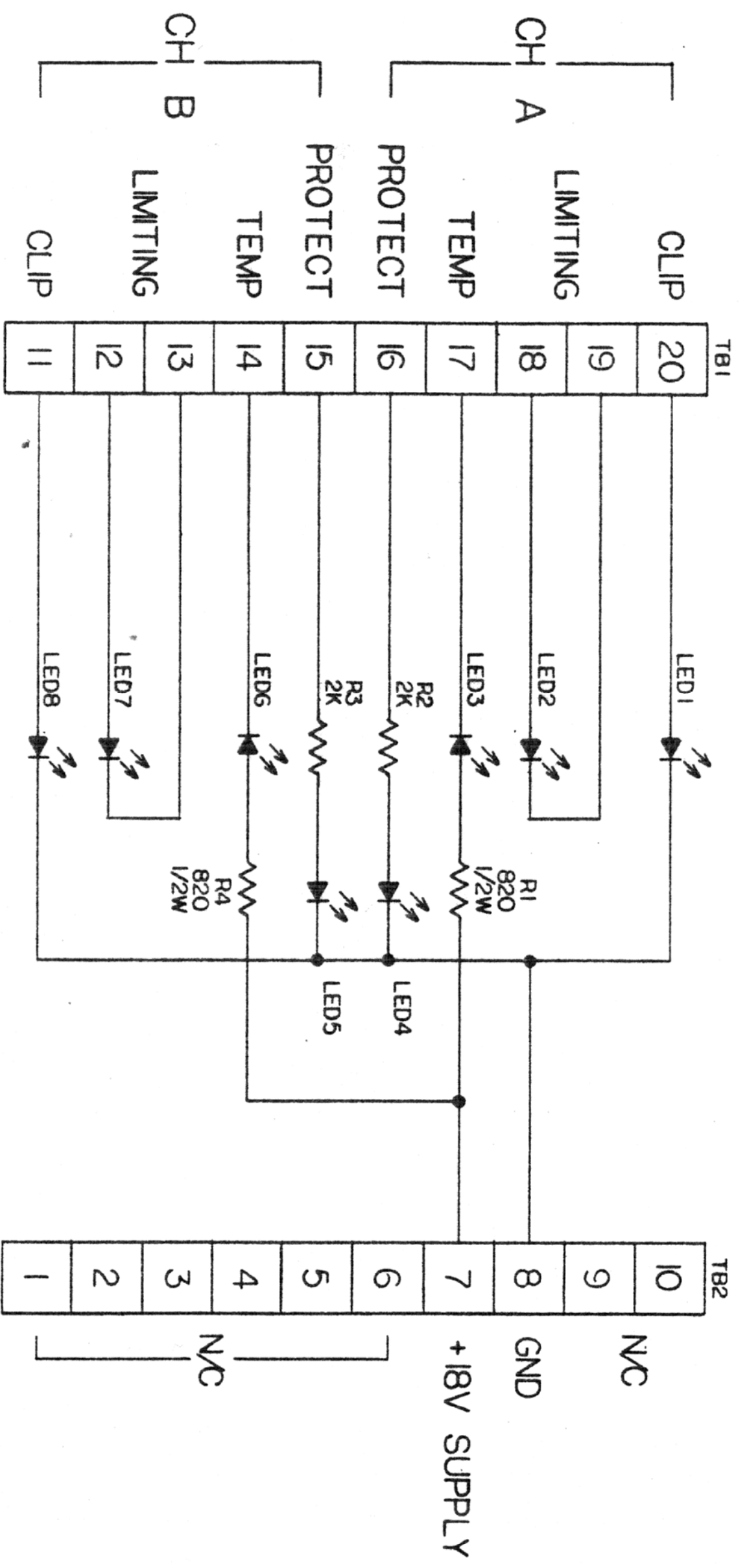
NOTES:
 1) LEDS MOUNT ON SOLDER SIDE
 2) LEDS ARE RED

REV	ECO	DESCRIPTION	DATE

DALLAS MUSIC INDUSTRIES
 HAWTHORNE, N.J. 07506

DWR: JJD	DATE: 04/28/82	CREST:
APP: <i>[Signature]</i>	DATE: <i>[Signature]</i>	MODEL 5001 SERIES
TOL: ±.02	±10	POWER AMPLIFIER
FR: ±.01	FRACT: ±1/64	LED PROTECT P.C.B.
MATL:		ASSEMBLY DWG.

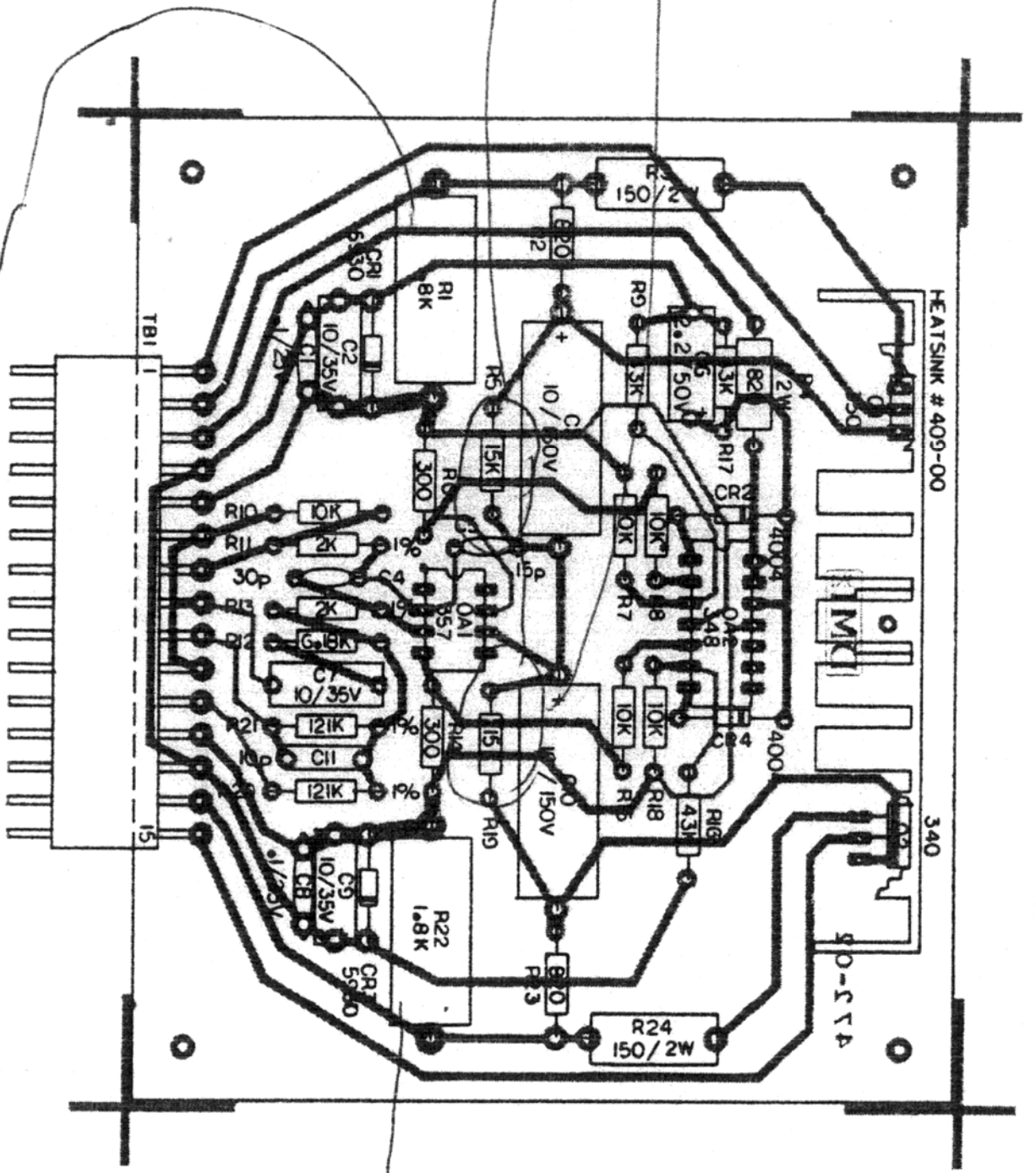
FINISH:	DWG. NO.: 2202545	REV: 00
SCALE: 2:1	DO NOT SCALE DRAWING	



LAST REF	DES	NOTES:	REV	ECO	DESCRIPTION	DATE
USED	NOT USED	1) LEDs ARE RED 2) N/C- NO CONNECTION 3) R2 & 3 ARE 1/4W				
R4						
LED8						
TB2						

DWN: JJD DATE: 7/28/82 APP: [Signature] DATE: [Signature] TOL: ±.02 ±.1° FRACT: 1/64		DALLAS MUSIC INDUSTRIES HAWTHORNE, N.J. 07506	
MATEL:		CREST:	
FINISH:		MODEL 5901 SERIES POWER AMPLIFIER	
SCALE: --		LED PROTECT P.C.B.	
DWG. N.: 2102545		SCHEMATIC	
REV: 00		DO NOT SCALE DRAWING	

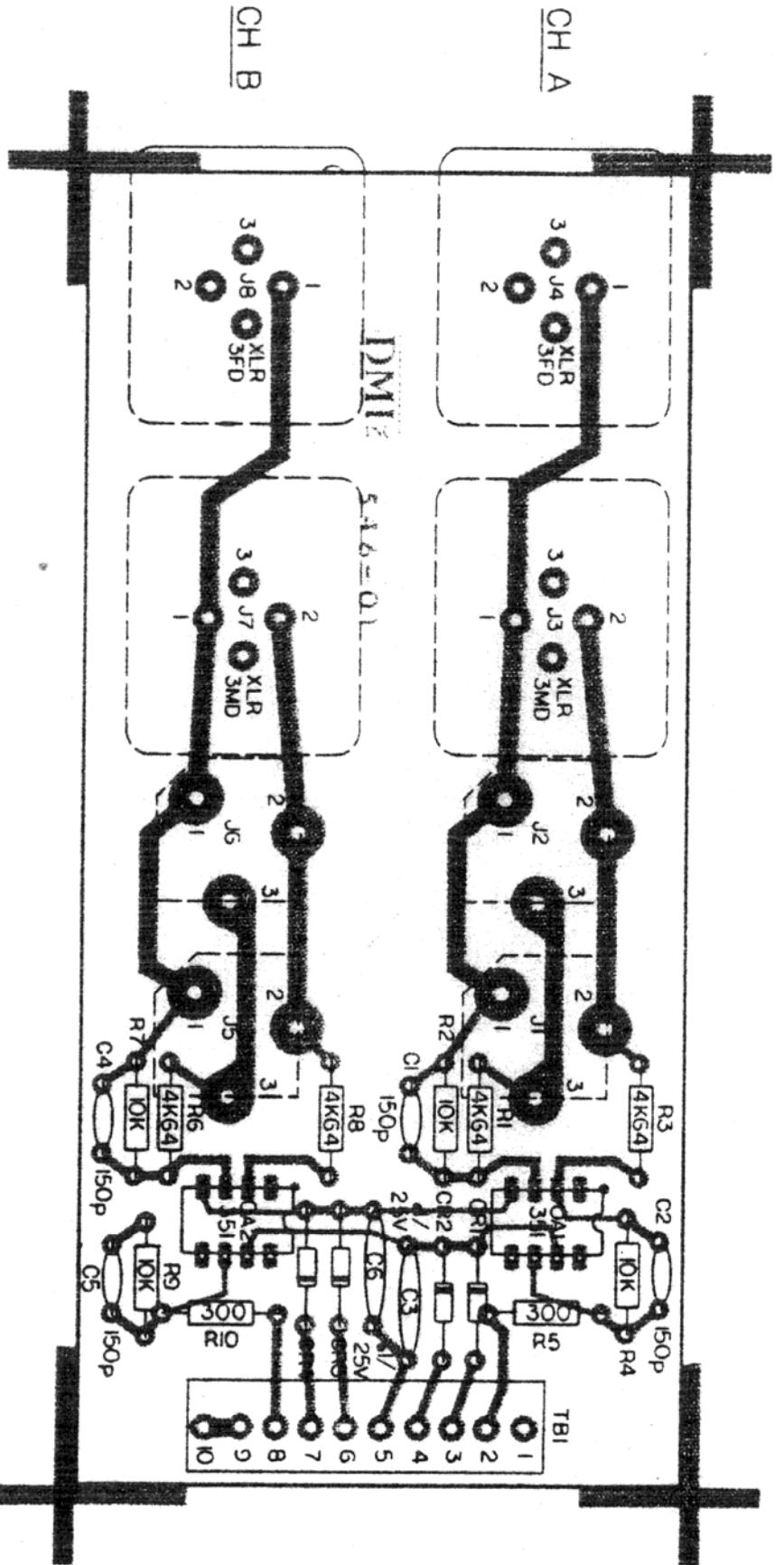
R5 + R19
15K 1w
Metal oxide



R1 + R22
2K 8w

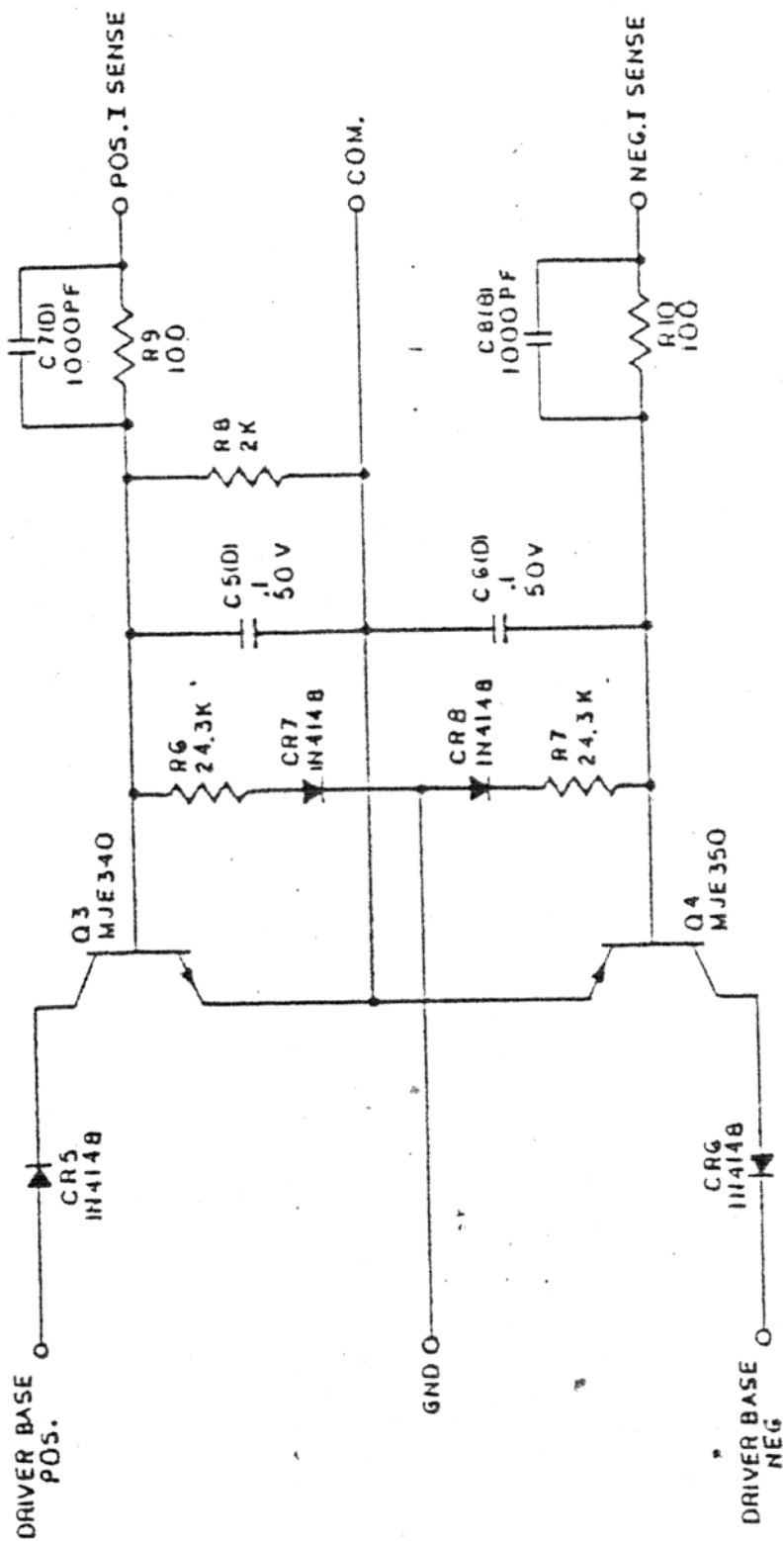
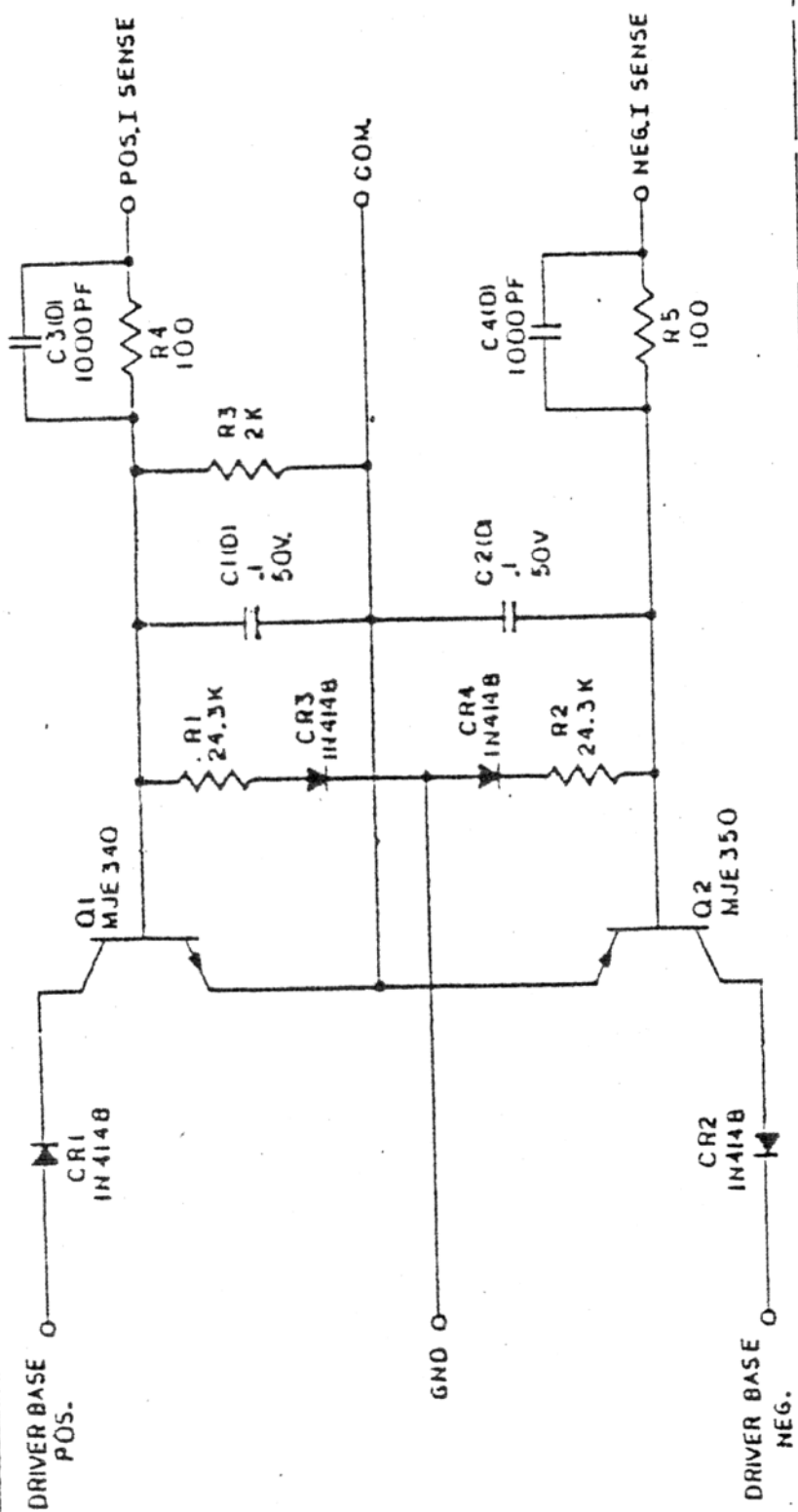
LAST REF DES NOTES:		REV	ECO	DESCRIPTION	DATE
USED	NOT USED				
R24					
C11					
CR4					
OA2					
O2					

DALLAS MUSIC INDUSTRIES HARTSHORN, N.J. 07128		DATE: 7/6/82	DRW NO: 2203472
APP: JPD	DATE: 7/6/82	SCALE: 2:1	REV: 00
TOL: 0.03	FRAC: 1/16	CREST: MODELS 5000 & 5001 SERIES POWER AMPLIFIERS FRONT END P.C.B. ASSEMBLY DWG.	
FINISH:		SCALE: 2:1 DO NOT SCALE DRAWING	



LAST REF DES	NOT USED	NOT USED	NOTES:	REV	ECO	DATE
USED			1) ALL DIODES, CRI-48 IN4004			
R10			2) J1,2,5,6 ARE 1/4" PHONE JACKS, PART NO N112BPC			
U6						
CR4						
J8						
OA2						
TBI						

DALLAS MUSIC INDUSTRIES		DATE		DATE	
HAWTHORNE, N.J. 07106		JJD	7/7/82		
CREST:		APP	DATE	DATE	
MODELS 5000 & 5001 SERIES			7/2/82		
POWER AMPLIFIERS		TOL	2 02	4	2 18
INPUT P.C.B.		***	2 01	FRACT	2 1/4
ASSEMBLY DMC.		MATERIAL			
FINISH					
DWG NO. 2203546		REV 00			
SCALE 2:1		DO NOT SCALE DRAWING			

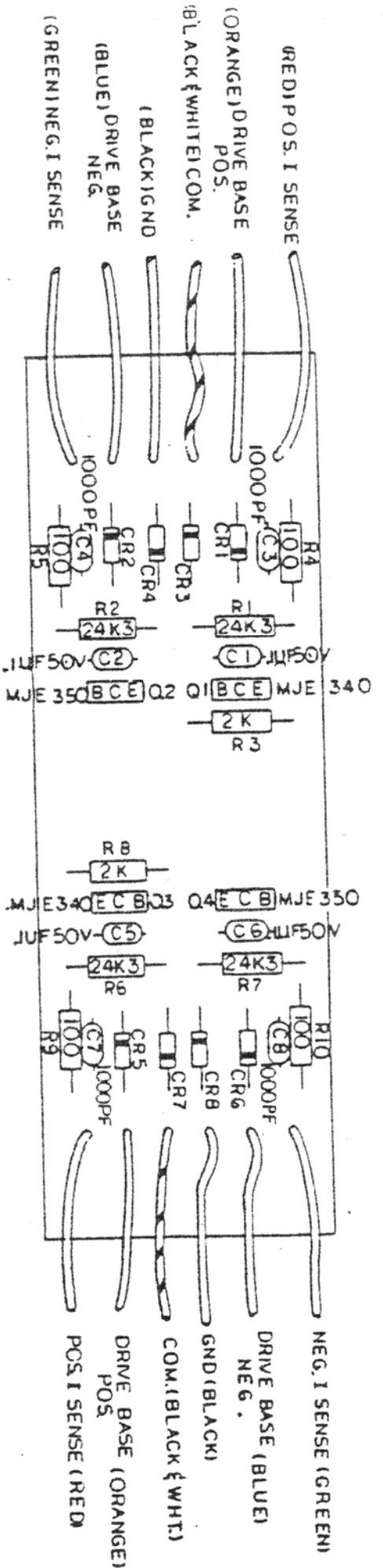


LAST REV	DES	NOT USED	NOTES
USED			
C B			1) ALL RESISTORS 1/4W, UNLESS OTHERWISE SPECIFIED
CR 8			2) ALL CAPACITORS 10% DISC, UNLESS OTHERWISE SPECIFIED
Q 4			
R 10			

REV	DESCRIPTION

DATE	

DALLAS MUSIC INDUSTRIES HAWTHORNE, N.J. 07048	
DATE: 8/15/83	CREST:
APP: J.F.	MODELS: 5000/5001 SERIES
TOL: 2.00	POWER AMPLIFIERS
REV: 1.01	Y.L.LIMITING P.C.D.
REV: 1.01	SCHEMATIC DWG.



CHA A

CHA B

CCMP, NOT INSTALLED BY
OUTSIDE VENDOR

LAST REV DES.
USED NOT USED

CB
CR8
Q4
R10

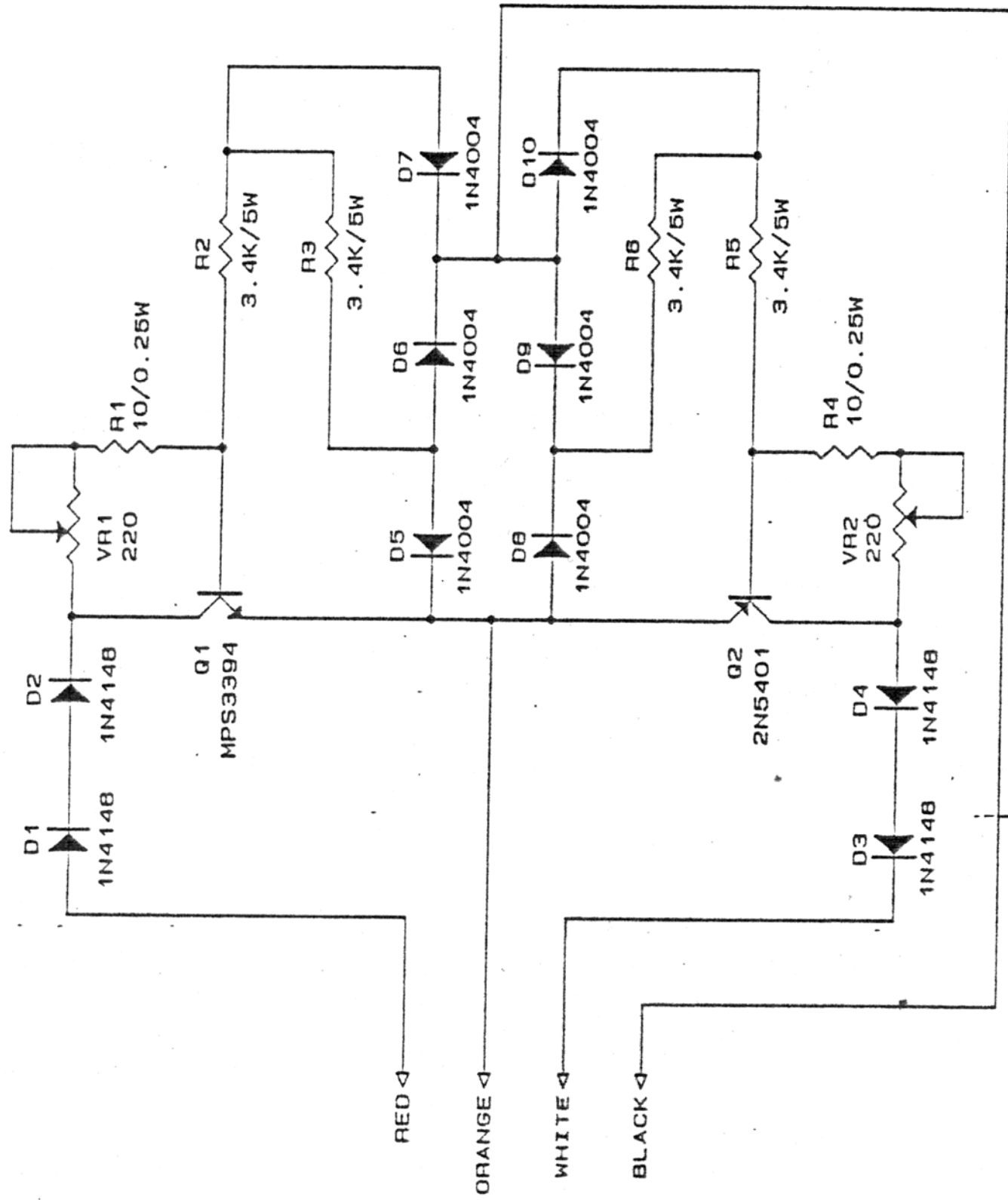
NOTES
1) ALL RESISTORS 1/4W, UNLESS OTHERWISE SPECIFIED
2) ALL DIODES IN 414 B, UNLESS OTHERWISE SPECIFIED

REV DESCRIPTION
01 CHANGE Q1 & Q3 FROM MJE 180 TO MJE 340 - Q2 & Q4 FROM MJE 170 TO MJE 350

DATE
10-26-83

DALLAS MUSIC INDUSTRIES
HAWTHORNE, N.J. 07086
DATE: 8/15/83
APP: E.C. DATE: 2/14/84
TOL: 1.0 ± .02
FRAC: 1/64
MATERIAL:
MODEL: 5000/5001 SERIES
POWER AMP PLATE
V.L. LITTING P.C.B.
ASSEMBLY DMG.
DWG NO: 2205610
SCALE: 2:1 DO NOT SCALE DRAWING

REV: 01

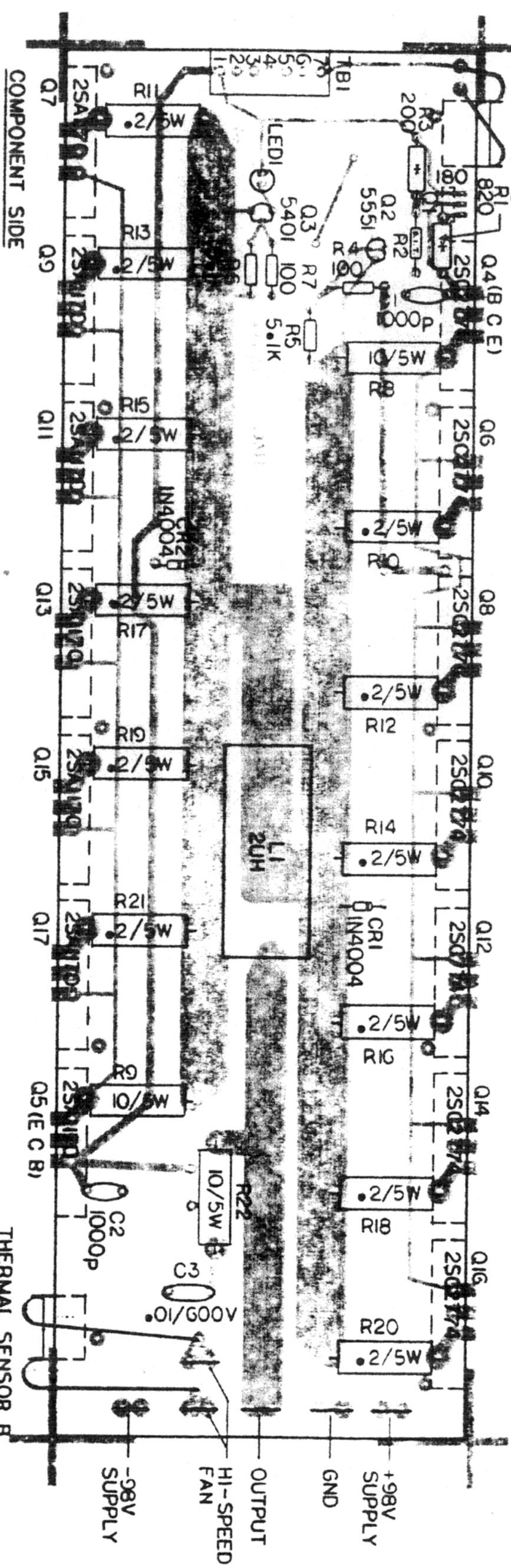


CREST AUDIO	
HAWTHORNE, NJ 07608	
Title	5000/5001 2 OHM LIMITER PCB
Size	A
Document Number	2101610
REV	01
Date:	Apr 11 1999
Sheet	1 of 1

8 7 6 5 4 3 2 1

8 7 6 5 4 3 2 1

2450-87-280
CLOSES AT 194°F
THERMAL SENSOR A



THERMAL SENSOR B
CLOSES AT 122°F
2450-87-281

DOT 3.45 Res: 5.1k

LAST REF DES NOTES:

- 1) + DENOTES 1/2W RESISTOR (R1 & R3)
- 2) THERMAL SENSORS & Q1,4-17 MOUNT ON HEATSINK UNDER P.C.B.
- 3) R2, D.o.T., DETERMINE IN TEST

USED	NOT USED
R22	
C3	
CR2	
L1	
LED1	
Q17	

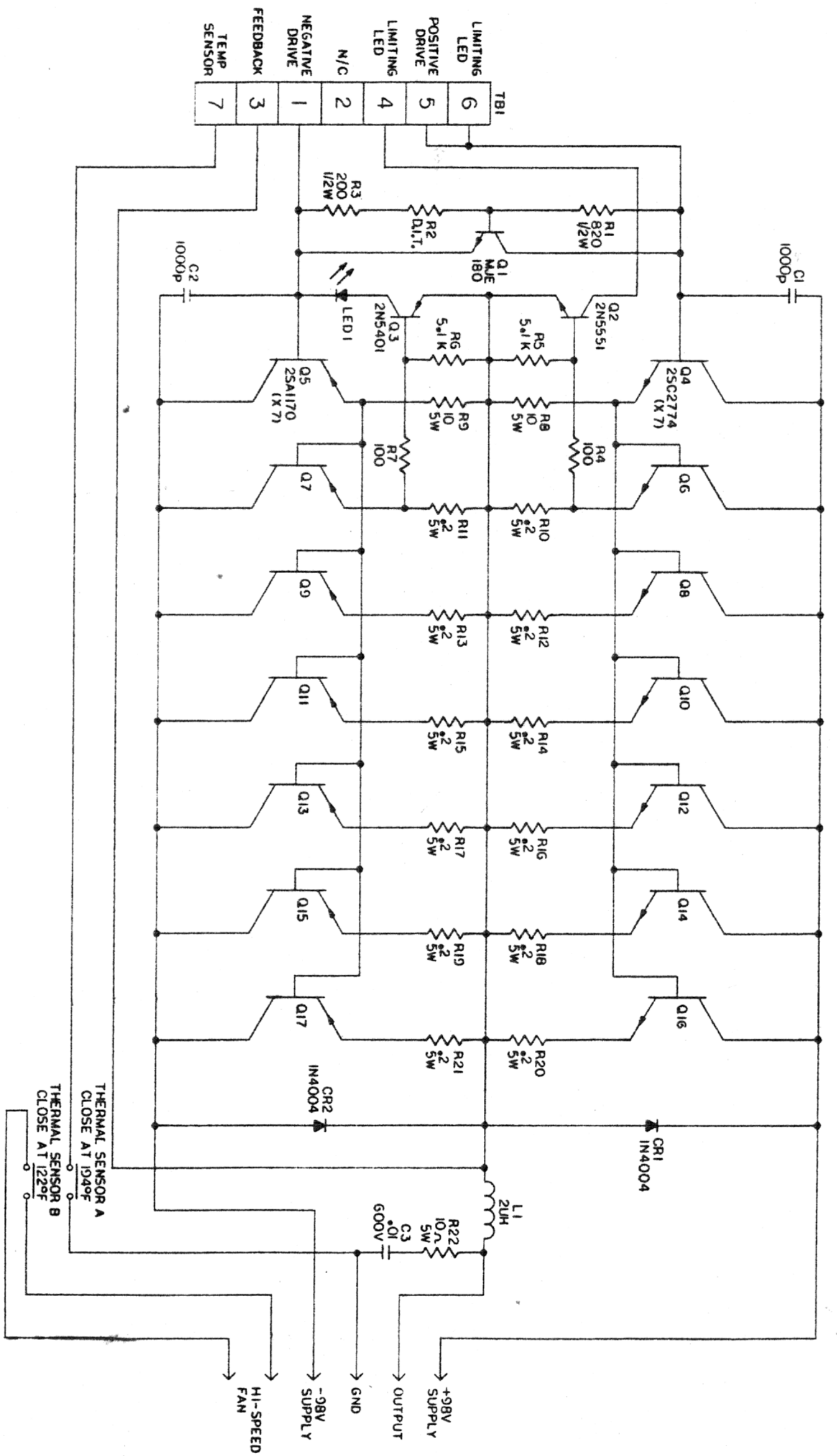
REV ECO DESCRIPTION DATE

DALLAS MUSIC INDUSTRIES
HAWTHORNE, N.J. 07508

DWN: JJD DATE: 6/30/82
APP: DATE: 7-1-82
TOL: ±.02 ±1°
FRACT: 1/64

MODELS 5300 & 5001 SERIES
POWER AMPLIFIERS
HEATSINK P.C.B.
ASSEMBLY DWG.

DWG. NO.: 2203471
SCALE: 1:1 DO NOT SCALE DRAWING
REV: 00



TBI	6	5	4	2	1	3	7
LIMITING LED	POSITIVE DRIVE	LIMITING LED	N/C	NEGATIVE DRIVE	FEEDBACK	TEMP SENSOR	

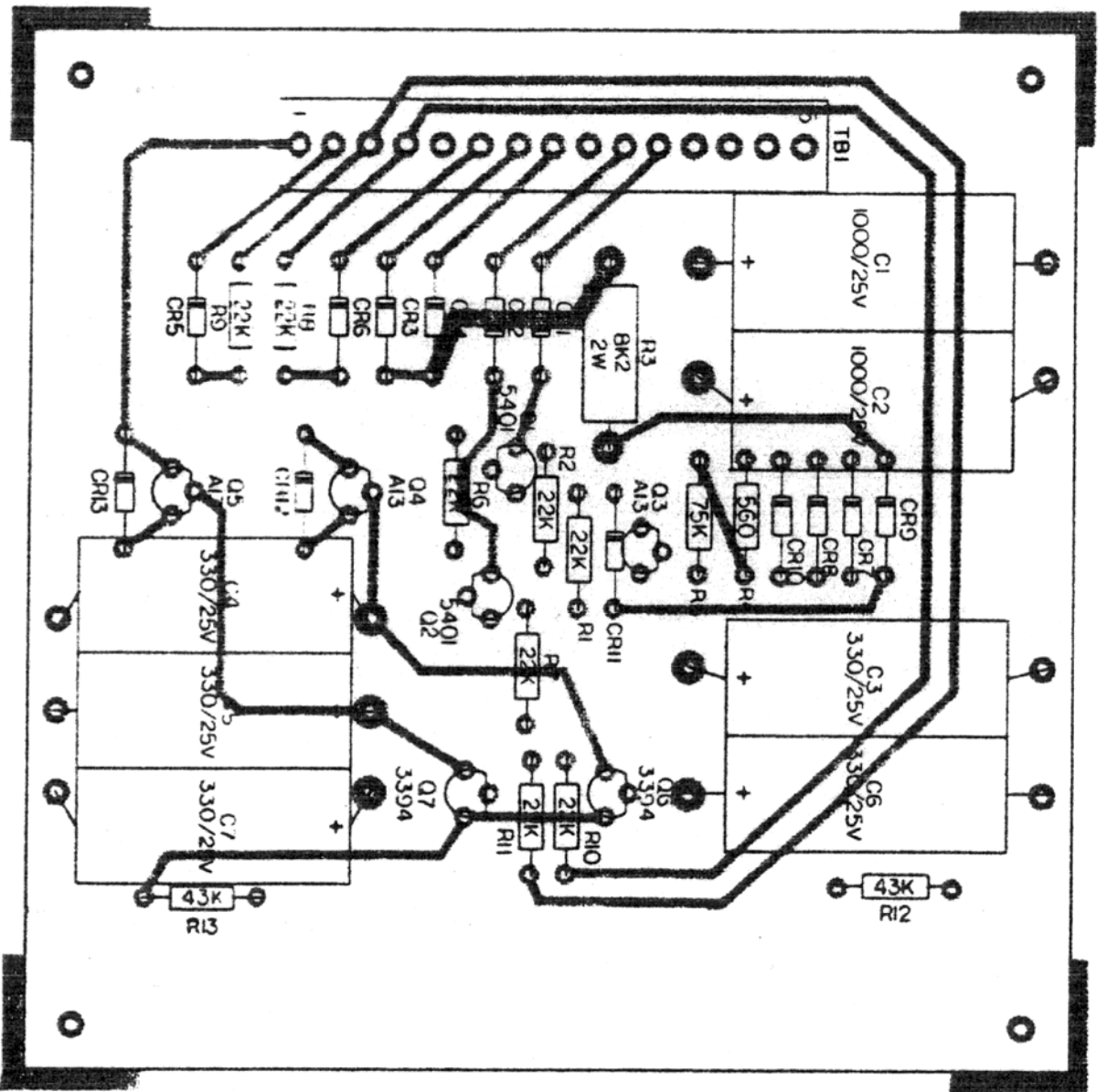
NOTES:

- 1) R2, D.I.T., DETERMINE IN TEST, IS BIAS RESISTOR. VOLTAGE ACROSS R8 & R9 IS BETWEEN 475 μ V MIN. & 510 μ V MAX. AS DETERMINED BY R2.
- 2) N/C, NO CONNECTION

LAST USED	REF	DES	REV	ECO	DESCRIPTION	DATE

DWG	44B	DATE	6/15/72
APP	AD	DATE	6/23/72
TOL	2.03		2.10
FRAC	2.01		FRACT 2/164
MATL			
FINISH			

DALLAS MUSIC INDUSTRIES	
HAWTHORNE, N.J. 07030	
CREST:	
MODELS 5000 & 5001 SERIES	
POWER AMPLIFIERS	
HEATSINK P.C.B.	
SCHEMATIC	
DWG NO	2103671
REV	00



LAST REF DES NOT USED

USED	NOT USED
R13	
C7	
CR13	
Q7	

NOTES:
 1) ALL DIODES IN4004
 2) UNSPECIFIED RESISTORS 1/4W

REV ECO DESCRIPTION DATE

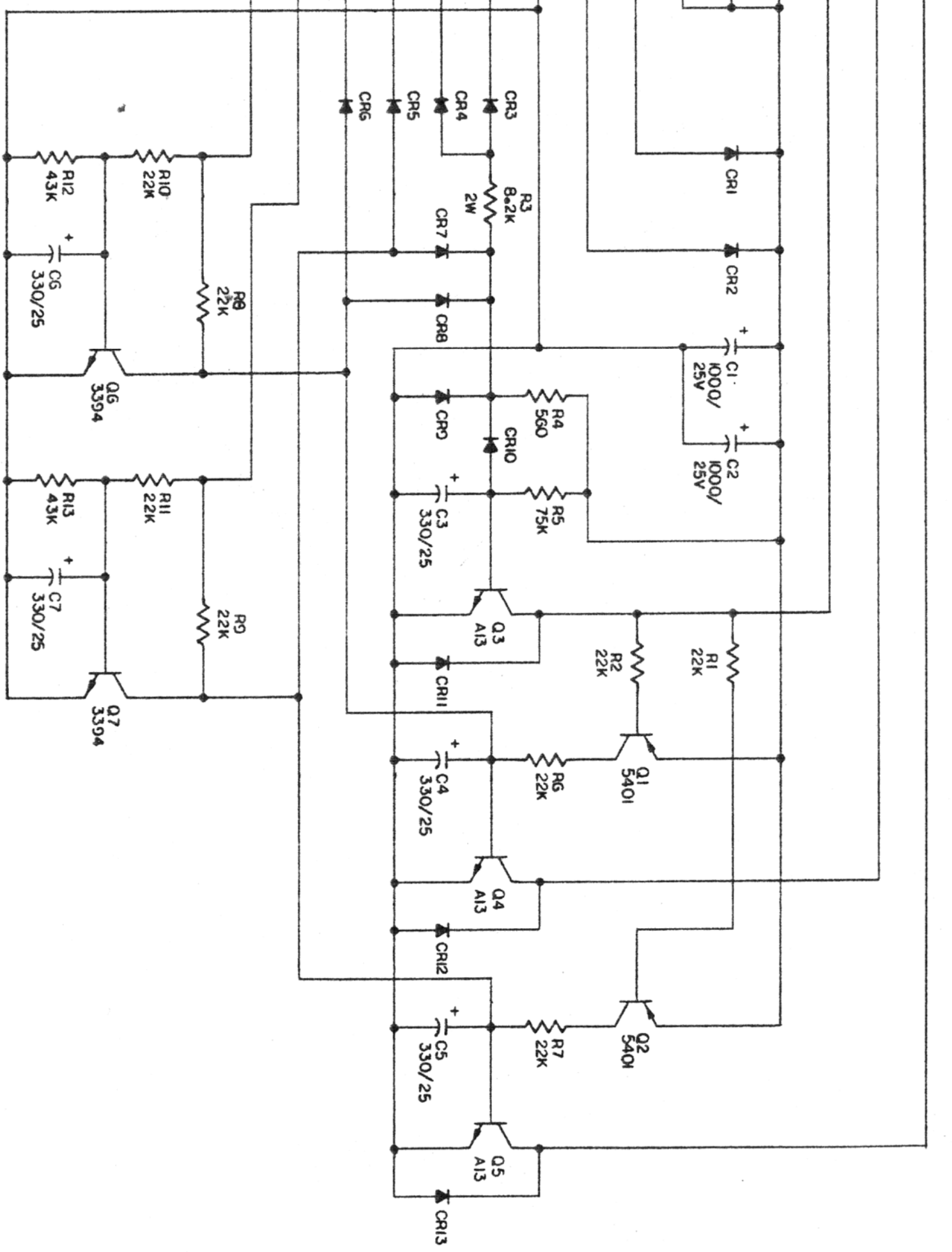
DALLAS MUSIC INDUSTRIES
 HAWTHORNE, N.J. 07068

APP	JJD	DATE	8/9/82
TOL	02	DATE	2/10
***	01	FRACT	2/10
MATERIAL			
FINISH			

CREST:
 MODELS 5000 & 5001 SERIES
 POWER AMPLIFIERS
 RELAY/PROTECT P.C.B.
 SCHEMATIC
 DWG. NO. 2203553
 SCALE 2:1 DO NOT SCALE DRAWINGS
 REV 00

- CH. A RELAY
- CH. B RELAY
- SURGE RELAY
- CH. A/B RELAY
- SURGE RELAY
- +17V METER SUPPLY
- CH. A 12VAC
- CH. B 12VAC
- GND
- CH. A -98V SUPPLY
- CH. B -98V SUPPLY
- CH. A TEMP
- CH. B TEMP
- CH. A PROTECT
- CH. B PROTECT

- 1
- 5
- 9
- 12
- 13
- 14
- 11
- 10
- 15
- 7
- 8
- 2
- 6
- 3
- 4
- T81



LAST REF DES

NOT USED
USED

NOT USED
USED

NOTES:
1) ALL DIODES IN4004
2) UNSPECIFIED RESISTORS 1/4W

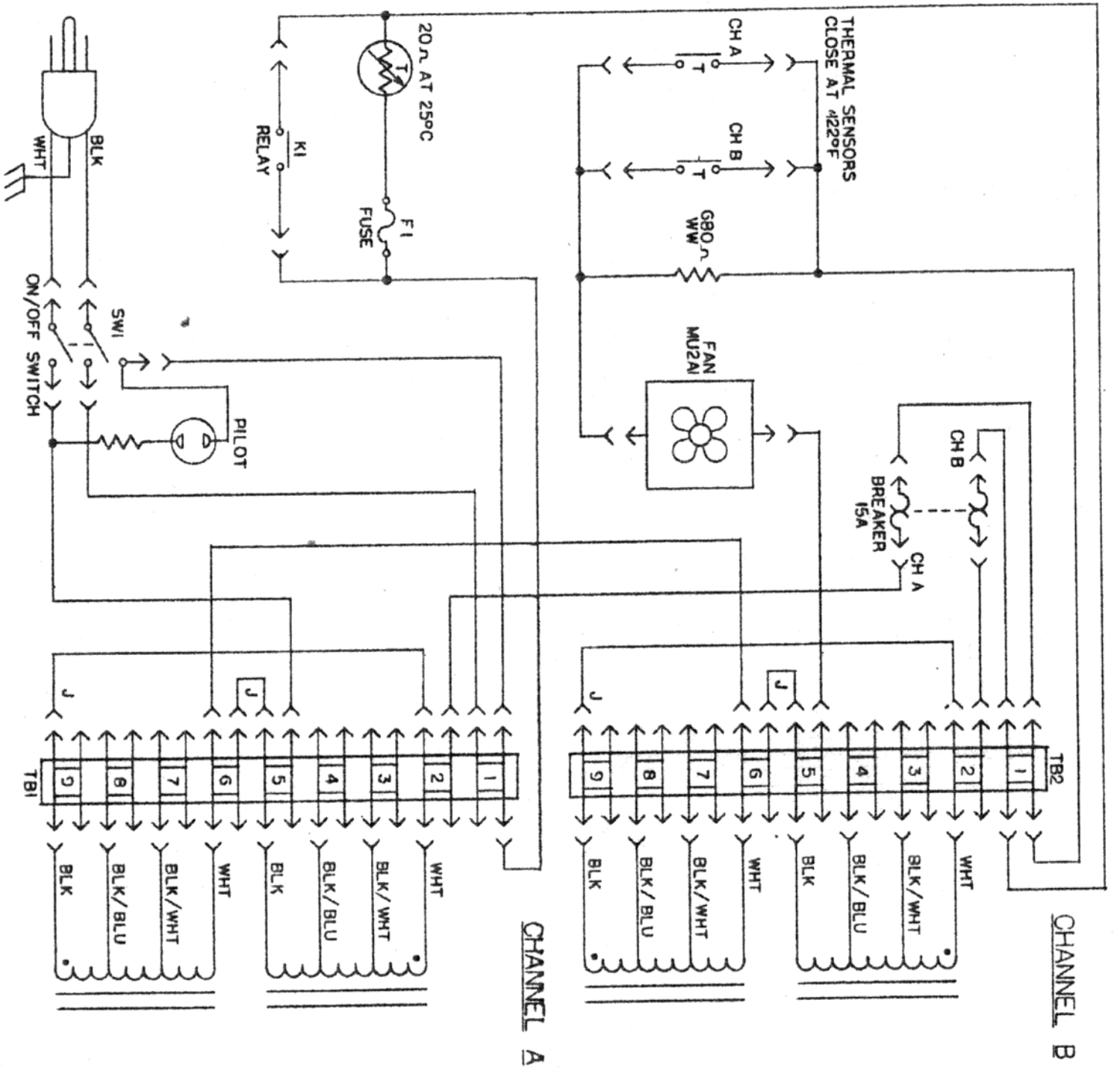
REV ECO DESCRIPTION

DATE

DALLAS MUSIC INDUSTRIES
HAWTHORNE, N.J. 07008

OWN: JMB
APP: JMB
DATE: 8/29/82
TOL: 1.02
FRAC: 2/64
MATERIAL:
FINISH:
CREST:
MODEL: 5000 & 5001 SERIES
POWER AMPLIFIERS
RELAY/PROTECT E.C.B.

SCHEMATIC
DWG. NO.: 2103553
SCALE: -- 00 NOT SCALE DRAWING



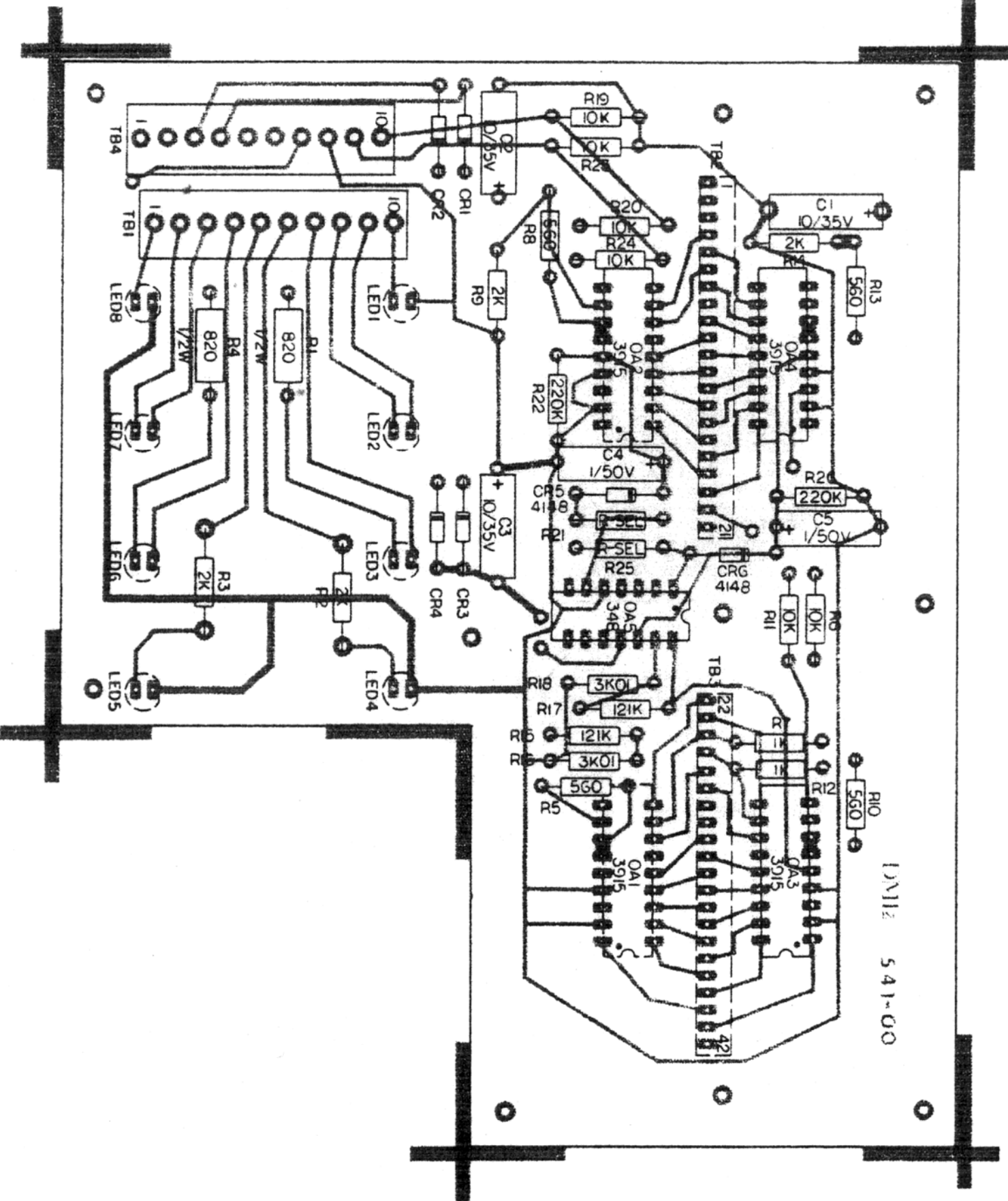
NOTES:

- 1) J - JUMPER
- 2) THERMAL SENSORS & FAN LOCATED ON HEATSINK MODULE

REV	ECO	DESCRIPTION	DATE

120V TRANSFORMER WIRING

DALLAS MUSIC INDUSTRIES HAWTHORNE, N.J. 07998	
DWN: JMB DATE: 5/28/82 APPR: [Signature] DATE: 7-6-82 TOL: 4 RE: 2.02 PART: 01 FRAC: 1/4	CREST: MODEL: 5000 & 5001 SERIES POWER AMPLIFIERS TRANSFORMER WIRING DIAGRAM (120V) ASSEMBLY DWG.
FINISH: SCALE: -- DO NOT SCALE DRAWING	DWG N°: 2203595 REV: 01



LAST REF DES NOT USED

USED	NOT USED	NOTES:
R26		1) ALL LEDs, OA1,2, TB2,3 MOUNT ON SOLDER SIDE
C5		2) R21 & 25, R SELECT IN TEST
LED8		
OA5		
TB4		

REV ECO DESCRIPTION

DATE

DALLAS MUSIC INDUSTRIES
HAWTHORNE, N.J. 07108

OWN: JJD 04/27/82

APP: JJD DATE: 4/1/82

TITLE: MODEL 5000 SERIES
PMMR AMPLIFIER

MAINT: MAIN CENTER E.C.B.

ASSEMBLY DWG.

DWG NO: 2203541

SCALE: 2:1 OR NOT SCALE DRAWING

LNM12 541-00