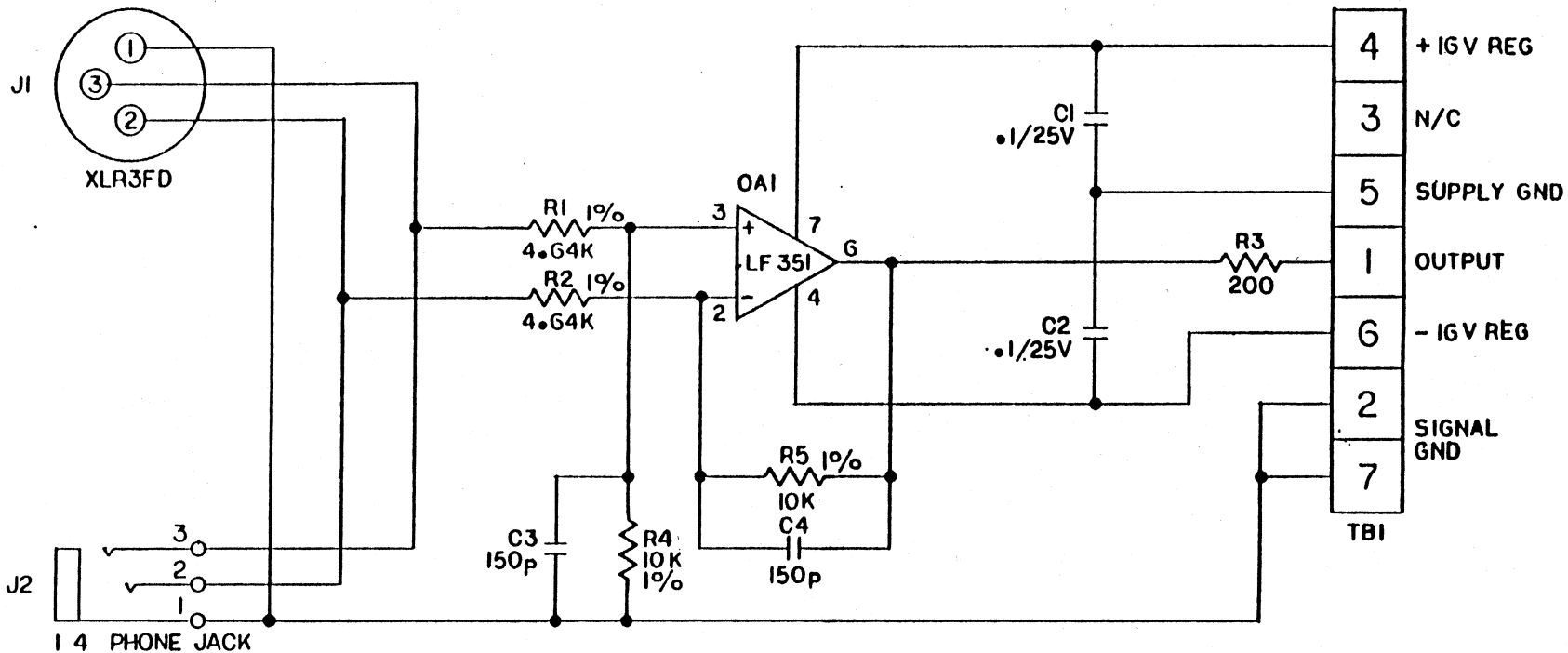


NOTES:		REV	ECO	DESCRIPTION	DATE
1) COMPONENT SIDE UP					
2) MOUNT TO HEATSINK & SOLDER SIDE OF P.C.B.'S Q1-3 & 6-13					
3) RFD.D.I.T., DETERMINE IN TEST					
DALLAS MUSIC INDUSTRIES DALLAS, TEXAS 75243					
DOW AM 1-21-84 DATE: 1-21-84 10:00 AM 10:00 AM 10:00 AM		CURRY: MODEL 25000 & 25010 BRIDGE POWER AMPLIFIER		MESSNER P.E.R. ASSEMBLY DIV. 25000 2504394 SCALE 2:1 DO NOT SCALE DRAWING	

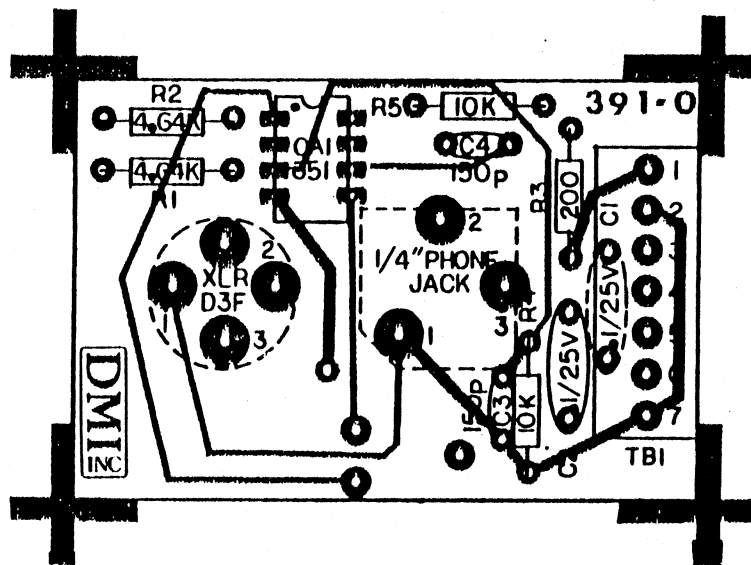


NOTES:

- 1) PINS 2 & 3 ARE BALANCED,
PINS 1 & 3 ARE UNBALANCED
ON BOTH 3-PIN CONNECTORS

LAST REF DES		REV	ECO	DESCRIPTION	DATE
USED	NOT USED				
C4					
R5					
OA1					
TBI					

DALLAS MUSIC INDUSTRIES HAWTHORNE, N.J. 07506			
DWN.: JJD	DATE: 1/18/82	CREST:	
APP: <i>[Signature]</i>	DATE: 1-20-82	MODEL "8" SERIES POWER AMPLIFIERS	
TOL: ±.02	±.1°	INPUT P.C.B.	
MAX: ±.01	FRACT: 1/64	SCHEMATIC	
MATL:			
FINISH:		DWG. No.: 2102391	REV: 00
SCALE: --		DO NOT SCALE DRAWING	

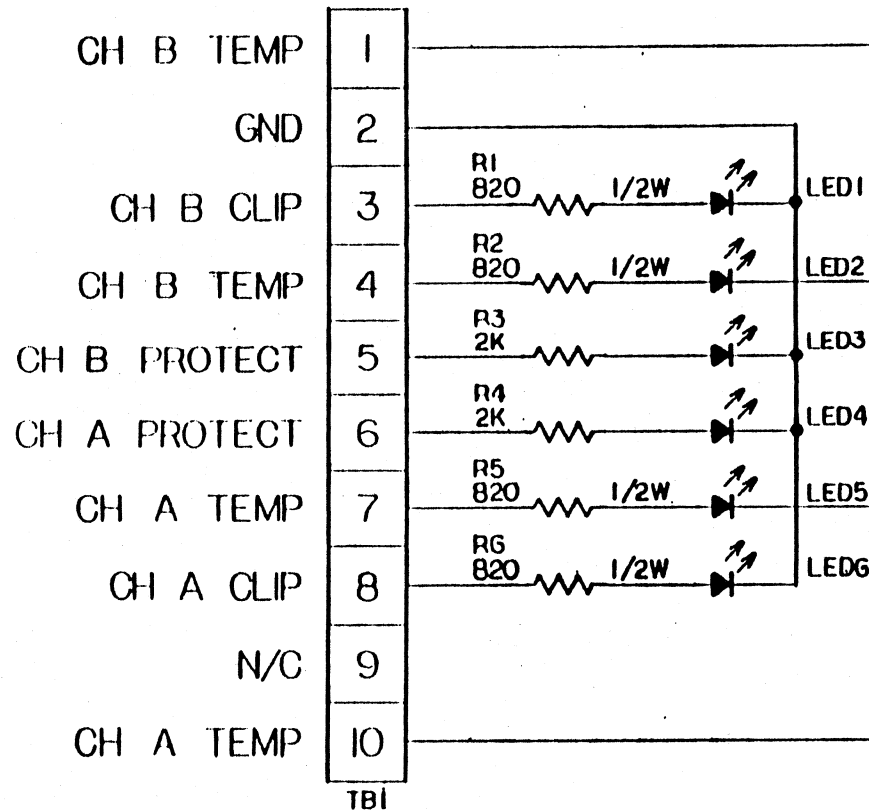


NOTES:

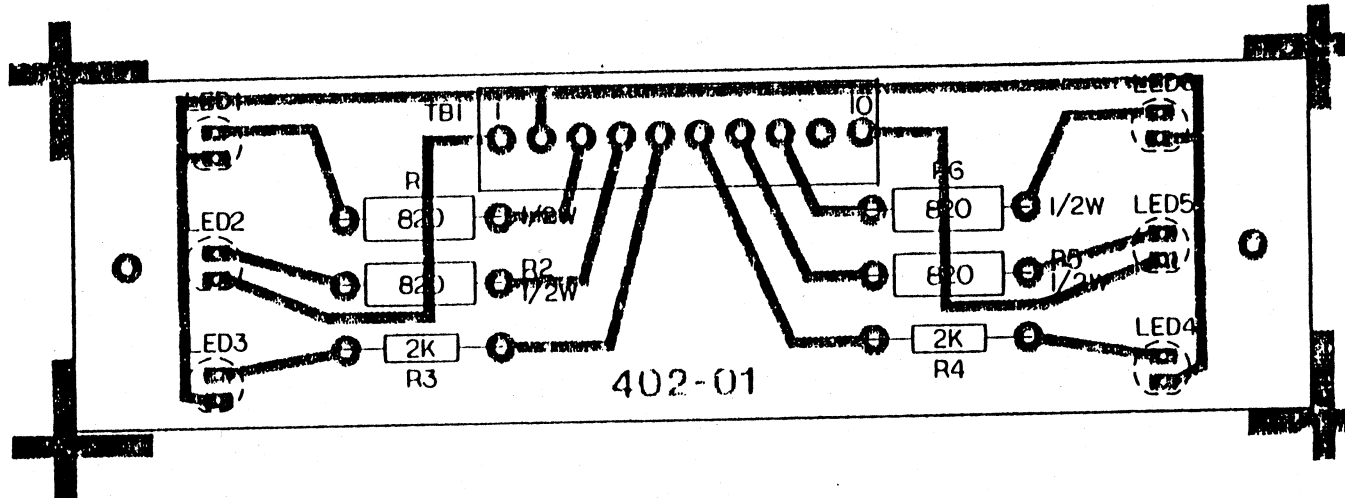
- 1) COMPONENT SIDE UP
- 2) XLR & PHONE CONNECTORS MOUNT TO CHASSIS & SOLDER SIDE OF P.C.B.
- 3) MOUNT CI ON SOLDER SIDE

REV	ECO	DESCRIPTION	DATE

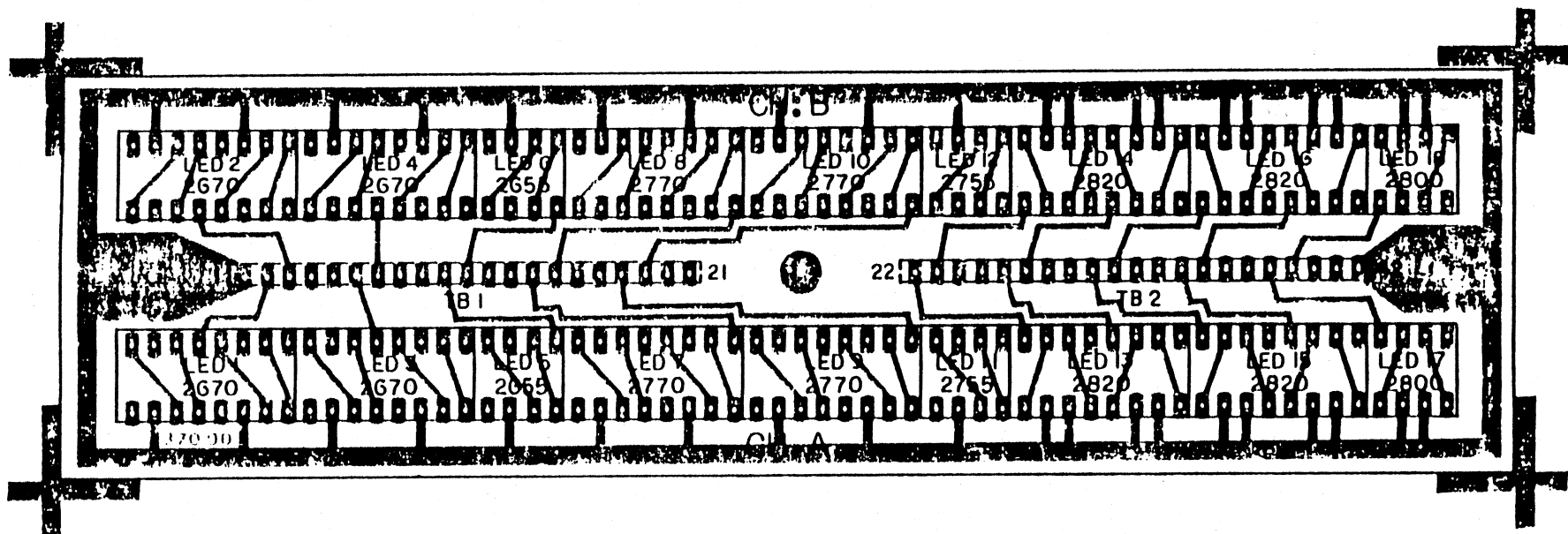
DALLAS MUSIC INDUSTRIES HAWTHORNE, N.J. 07508			
DWN.: JJD	DATE: 1/15/82	CRST:	
APP: <i>[Signature]</i>	DATE: 1-20-82	MODEL "S" SERIES POWER AMPLIFIERS	
TOL: RS: ±.02 L: ±1° RHS: ±.01 FRACT: 1/64		INPUT P.C.B.	
MATL.:		ASSEMBLY DWG.	
FINISH:		DWG. No.: 2202391	REV.: 00
		SCALE: 2:1	DO NOT SCALE DRAWING



USED	NOT USED	NOTES:	REV	ECO	DESCRIPTION	DATE	DALLAS MUSIC INDUSTRIES HAWTHORNE, N.J. 07506	
		1) LEDs ARE RED 2) UNSPECIFIED RESISTORS-1/4W					DWN.: JJD	DATE: 8/11/82
							APP: [Signature]	DATE: 8/11/82
							TOL: R: ±.02 Z: ±1° RES: ±.01 FRAC: ±1/64	CREST: MODEL "S" SERIES POWER AMPLIFIERS
							MATL.:	LIGHT PROTECT P.C.B.
							FINISH:	SCHEMATIC
								DWG. No.: 2102402
								SCALE: -- NO NOT SCALE DRAW



LAST REF DES		NOTES:	REV	ECO	DESCRIPTION	DATE	DALLAS MUSIC INDUSTRIES HAWTHORNE, N.J. 07508		
USED	NOT USED		1) LEDS MOUNT ON SOLDER SIDE 2) LEDS ARE RED 3) RESISTORS-1/4W					DWN.: JJD	DATE: 8/11/82
RG								APP: [Signature]	DATE: 3/11/82
LEDG								TOL: XX: ±.02 <: ±1° XXX: ±.01 FRACT: ±1/64	
TBI								MATL:	
							FINISH:		
							DWG. Nr.: 2202402	REV 100	
							SCALE: 2:1	DO NOT SCALE DRAWING	



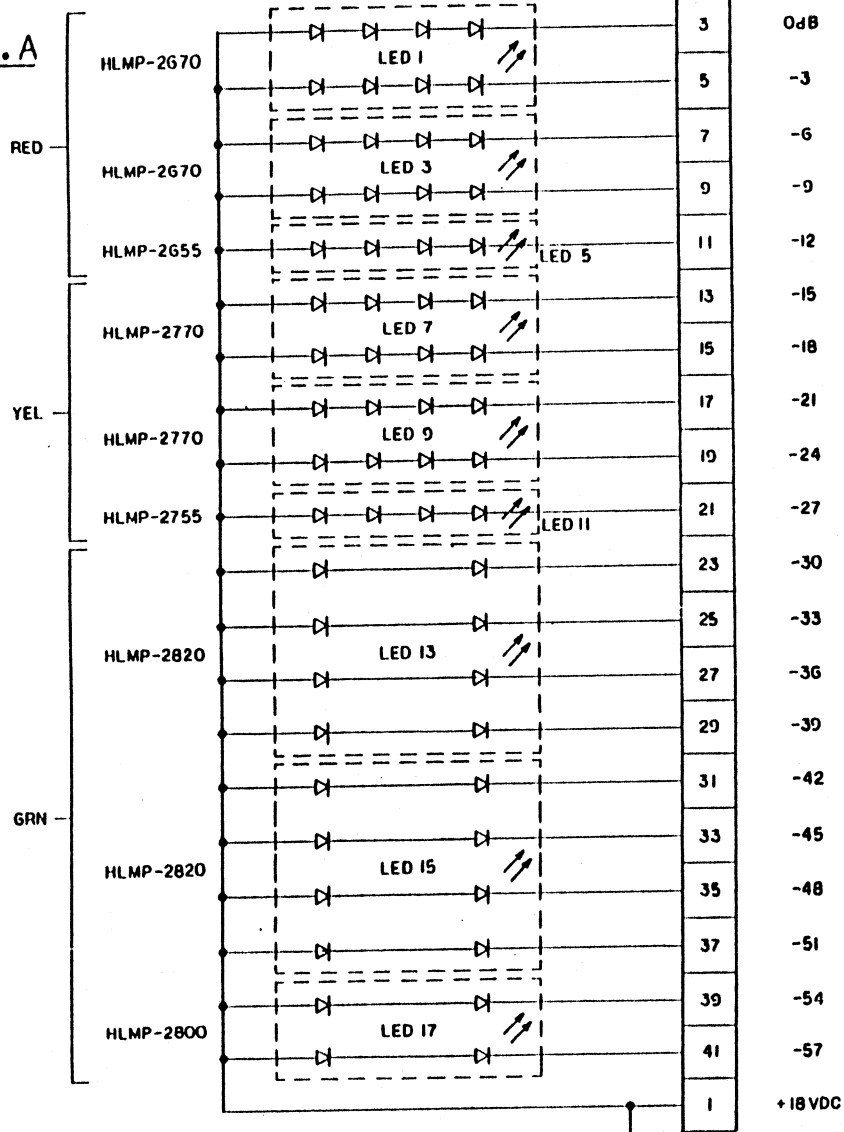
NOTES:

- 1) COMPONENT SIDE UP
- 2) RED- LED 1-6
YEL- LED 7-12
GRN- LED 13-18
- 3) TB1 & 2 MOUNT ON SOLDER SIDE

REV	ECO	DESCRIPTION	DATE

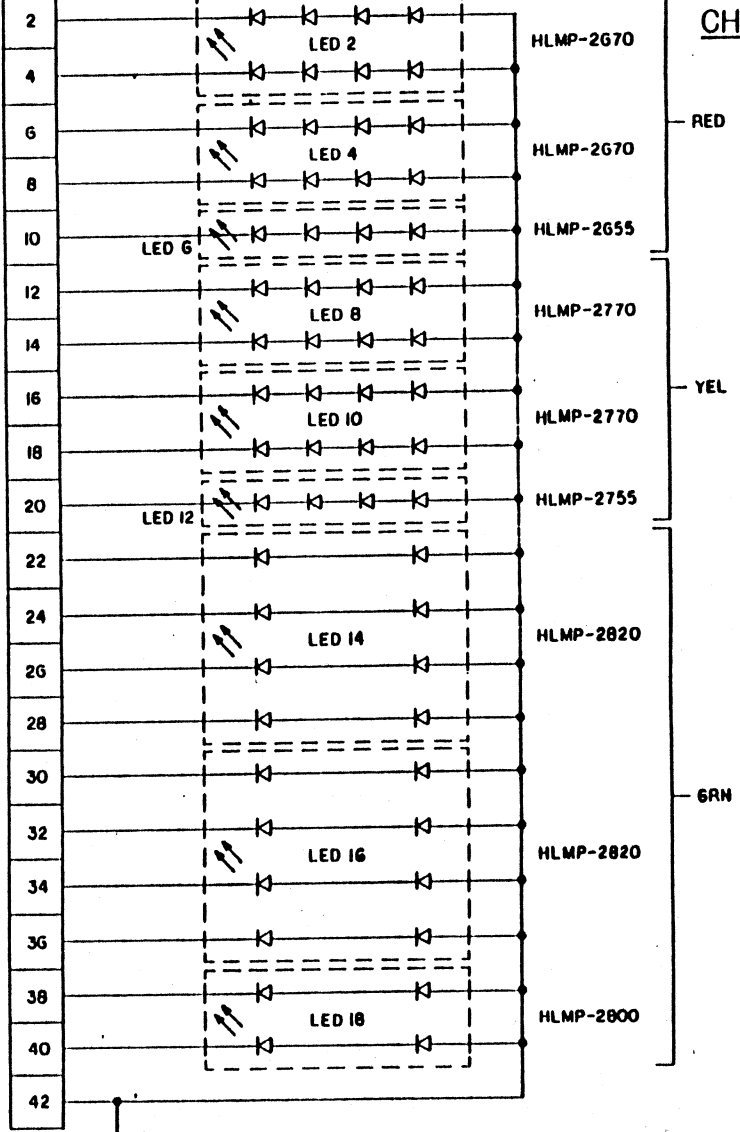
DALLAS MUSIC INDUSTRIES HAWTHORNE, N.J. 07508			
DWN.: JJD	DATE: 2/8/82	CREST:	
APP: <i>[Signature]</i>	DATE: 6-12-82	POWER AMPLIFIERS w/ METERS	
TOL: DR: ±.02 Z: ±1° HAR: ±.01 FRAC: 1/64	METER ARRAY P.C.B.		ASSEMBLY DWG,
MATL.:	DWG. Nr.: 2202370		REV: 00
FINISH:	SCALE: 2:1 DO NOT SCALE DRAWING		

CH. A



0dB	2
-3	4
-6	6
-9	8
-12	10
-15	12
-18	14
-21	16
-24	18
-27	20
-30	22
-33	24
-36	26
-39	28
-42	30
-45	32
-48	34
-51	36
-54	38
-57	40
+18VDC	42

CH. B



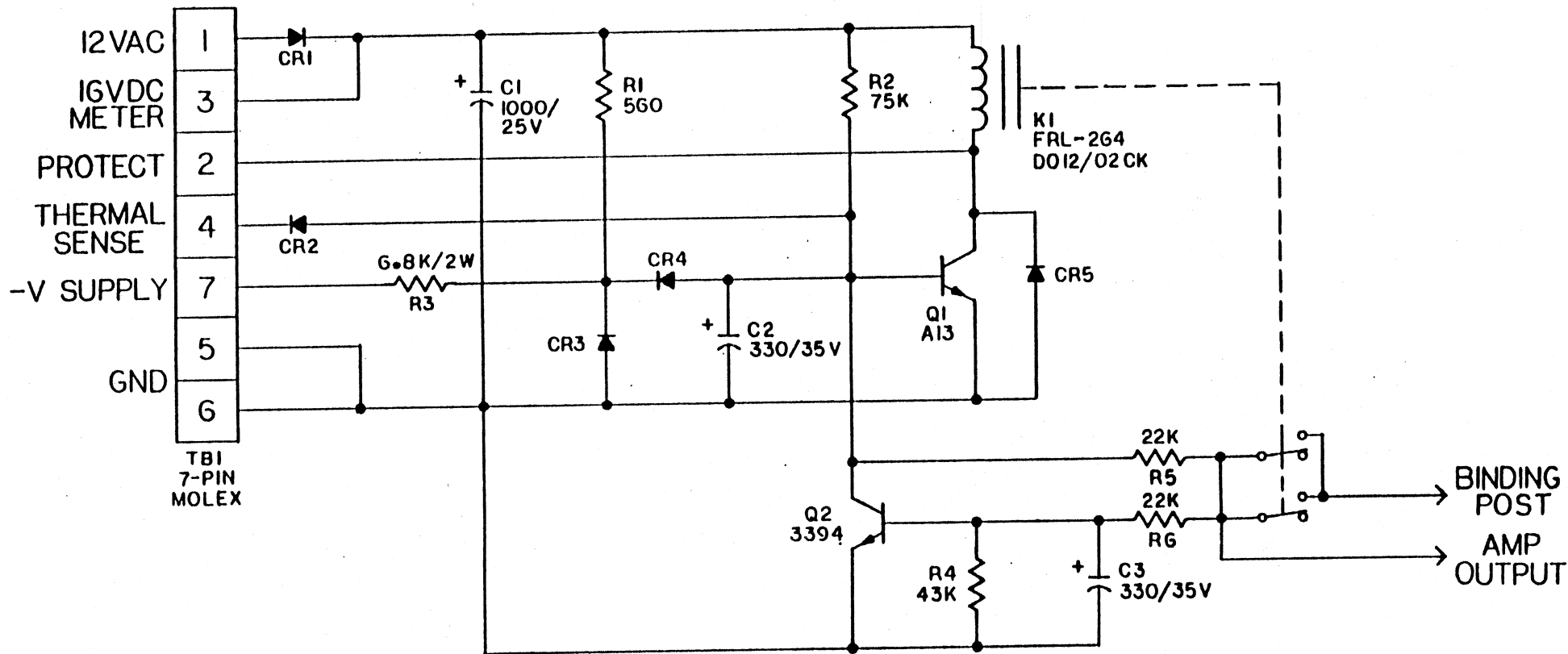
RED
YEL
GRN

NOTES:
1) TB1 TERMINALS 1-21 & TB2 TERMINALS 22-42.

REV	ECO	DESCRIPTION	DATE

DALLAS MUSIC INDUSTRIES
HAWTHORNE, N.J. 07508

OWN: JJD DATE: 8/8/82 CREST:
APP: [Signature] DATE: 8-2-82 MODELS 2500B, 3500B, 4000, 5000
POWER AMPLIFIER LEAS
TOL: 1.00 ±.1%
APP: 2.00 ±.1% PRAC: 2.00%
METER ARRAY P.C.B.
MATEL:
SCHEMATIC
FINISH: OWS No: 2103370 REV: 00
SCALE: -- DO NOT SCALE DRAWING



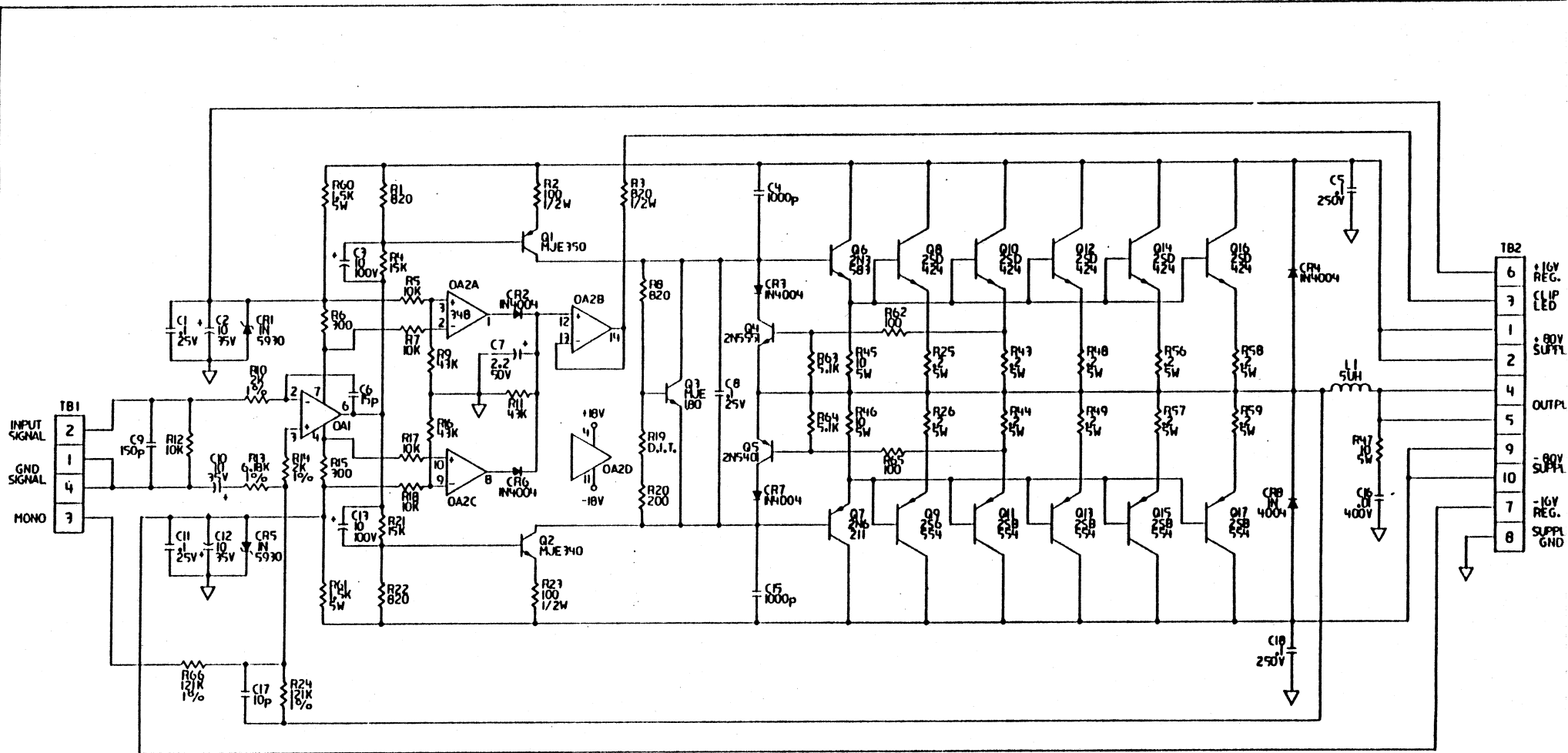
NOTES:

1) ALL DIODES: IN4004

LAST REF	DES	REV	ECO	DESCRIPTION	DATE
	C3				
	R6				
	K1				
	Q2				
	CR5				
	TBI				

DALLAS MUSIC INDUSTRIES
HAWTHORNE, N.J. 07508

DWN: JJD	DATE: 2-2-82	CREST:
APP: <i>[Signature]</i>	DATE: <i>[Signature]</i>	
TOL: 1.00	± 1°	MODEL "S" SERIES
ERR: 2.01	FRACT: 1/64	POWER AMPLIFIERS
MATL:		RELAY P.C.B.
FINISH:		SCHMATIC
DWG. No.:	2102400	REV: 00
SCALE: --	DO NOT SCALE DRAWING	



NOTES:		LAST USED	REF DES	REV	ECO	DESCRIPTION	DATE
1) R19, D.J.T., DETERMINE IN TEST. IS BIAS RESISTOR. VOLTAGE ACROSS R45 & R46 IS BETWEEN 475mV MIN. & 510mV MAX. AS DETERMINED BY R19.		USED	NOT USED				
2) PINS 5,6,7 ON OA2D NOT USED.		R66	R27-42				
		C18	C14				
		CR8					
		L1					
		OA2					
		Q17					

DALLAS MUSIC INDUSTRIES MUSICOPIA, DALLAS, TEXAS			
DESIGN	DATE	REV	BY
228	11-1-61		
DESIGNED BY	CHECKED BY	DATE	
...	
PARTS LIST			
Q1-Q8	TRANSISTORS	2N550, 2N540, 2N554, 2N552, 2N553, 2N551, 2N550	
OA1-OA2D	OP-AMP	741	
R1-R27	RESISTORS	1/2W, 1/4W, 1/8W, 1/10W	
C1-C10	CAPACITORS	100V, 50V, 25V, 10V	
L1	INDUCTOR	5UH	
DRAWING NO. 3104200			
DATE 11-1-61			