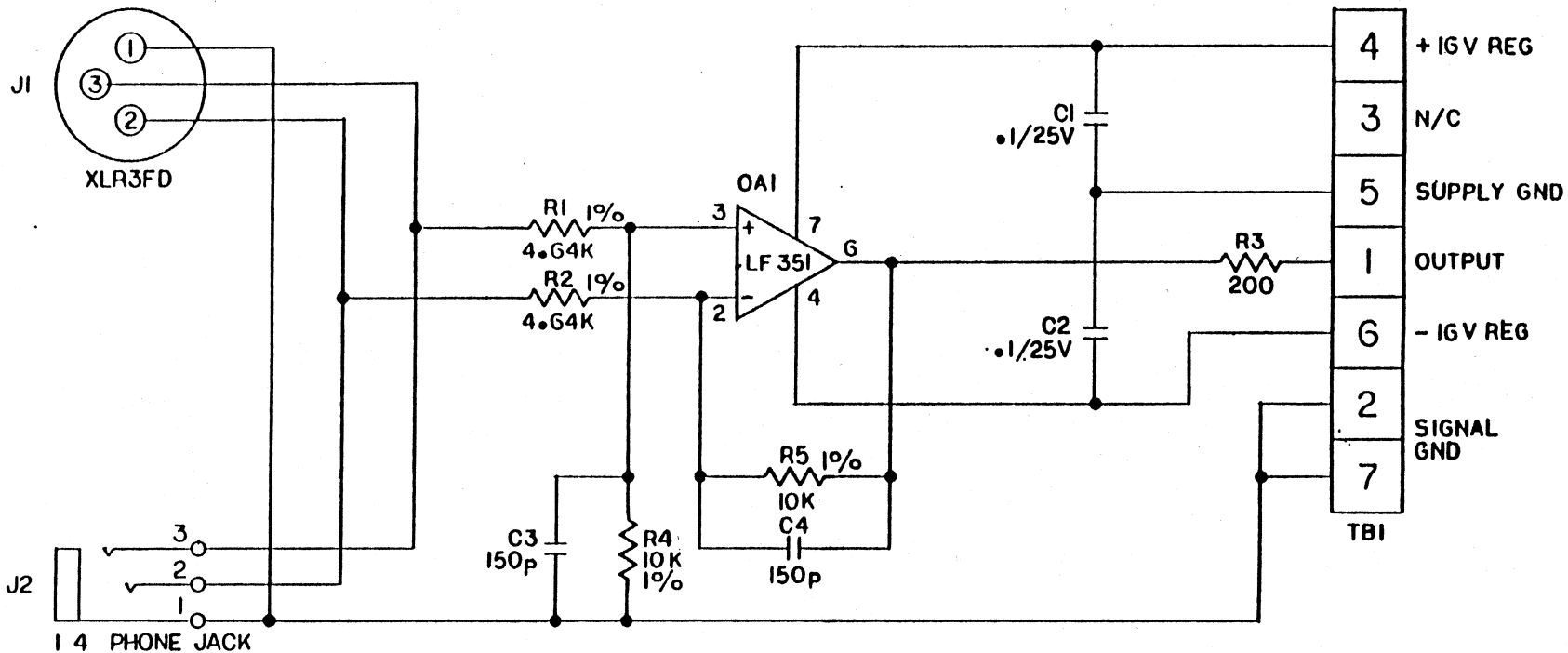


NOTES:		REV	ECO	DESCRIPTION	DATE
1) COMPONENT SIDE UP					
2) MOUNT TO HEATSINK & SOLDER SIDE OF P.C.B. & Q1-3 & 6-13					
3) RFD.D.I.T., DETERMINE IN TEST					
DALLAS MUSIC INDUSTRIES MOUNTAIN VIEW, TEXAS					
DESIGNED BY DATE	DRAWN BY DATE	CHECKED BY DATE	APPROVED BY DATE	PART NO. 2204394	QUANTITY 100
				SCALE 2:1 DO NOT SCALE DRAWING	

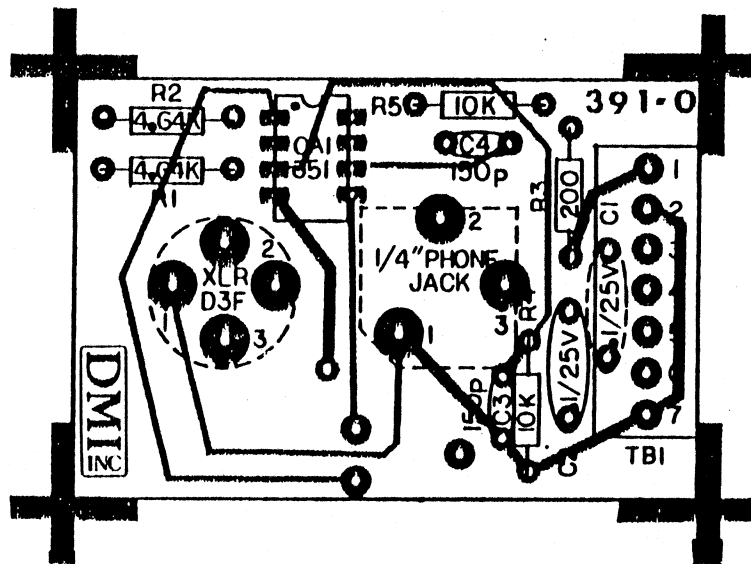


NOTES:

- 1) PINS 2 & 3 ARE BALANCED,
PINS 1 & 3 ARE UNBALANCED
ON BOTH 3-PIN CONNECTORS

LAST REF DES		REV	ECO	DESCRIPTION	DATE
USED	NOT USED				
C4					
R5					
OA1					
TBI					

DALLAS MUSIC INDUSTRIES HAWTHORNE, N.J. 07506			
DWN.: JJD	DATE: 1/18/82	CREST:	
APP: <i>[Signature]</i>	DATE: 1-20-82	MODEL "8" SERIES POWER AMPLIFIERS	
TOL: ±.02	±.1°	INPUT P.C.B.	
RES: ±.01	FRACT: 1/84	SCHEMATIC	
MATL:			
FINISH:		DWG. No.: 2102391	REV: 00
SCALE: --		DO NOT SCALE DRAWING	

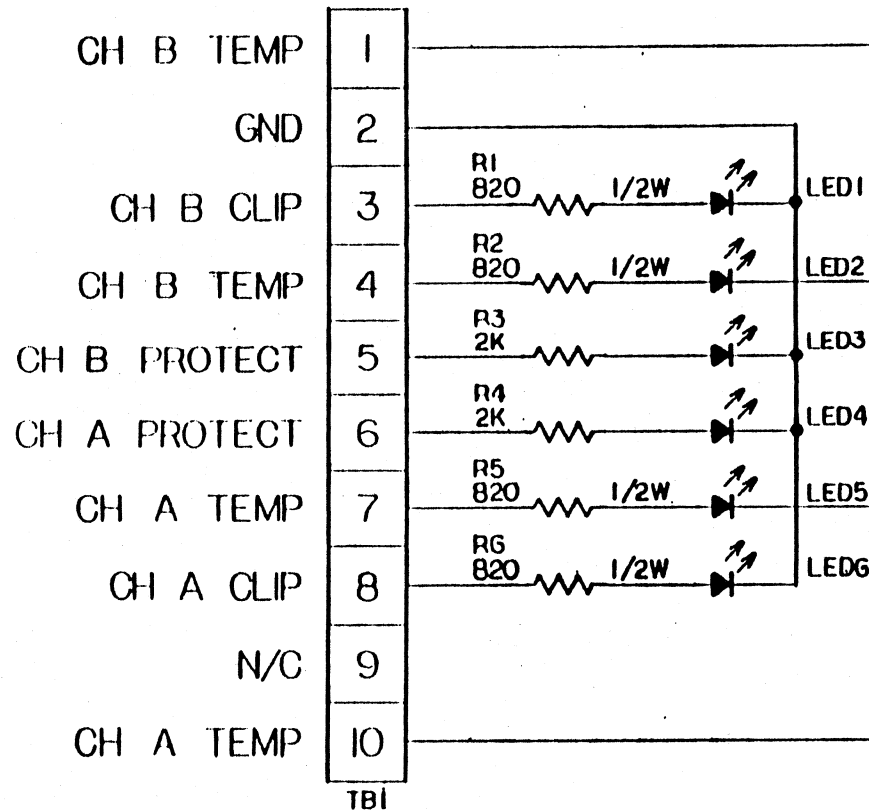


NOTES:

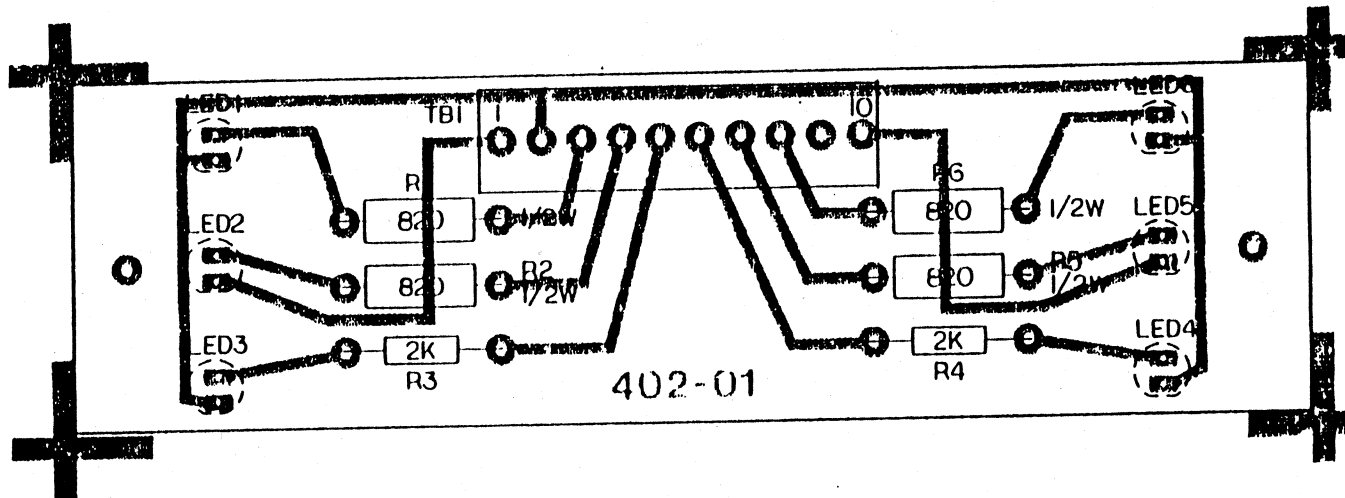
- 1) COMPONENT SIDE UP
- 2) XLR & PHONE CONNECTORS MOUNT TO CHASSIS & SOLDER SIDE OF P.C.B.
- 3) MOUNT CI ON SOLDER SIDE

REV	ECO	DESCRIPTION	DATE

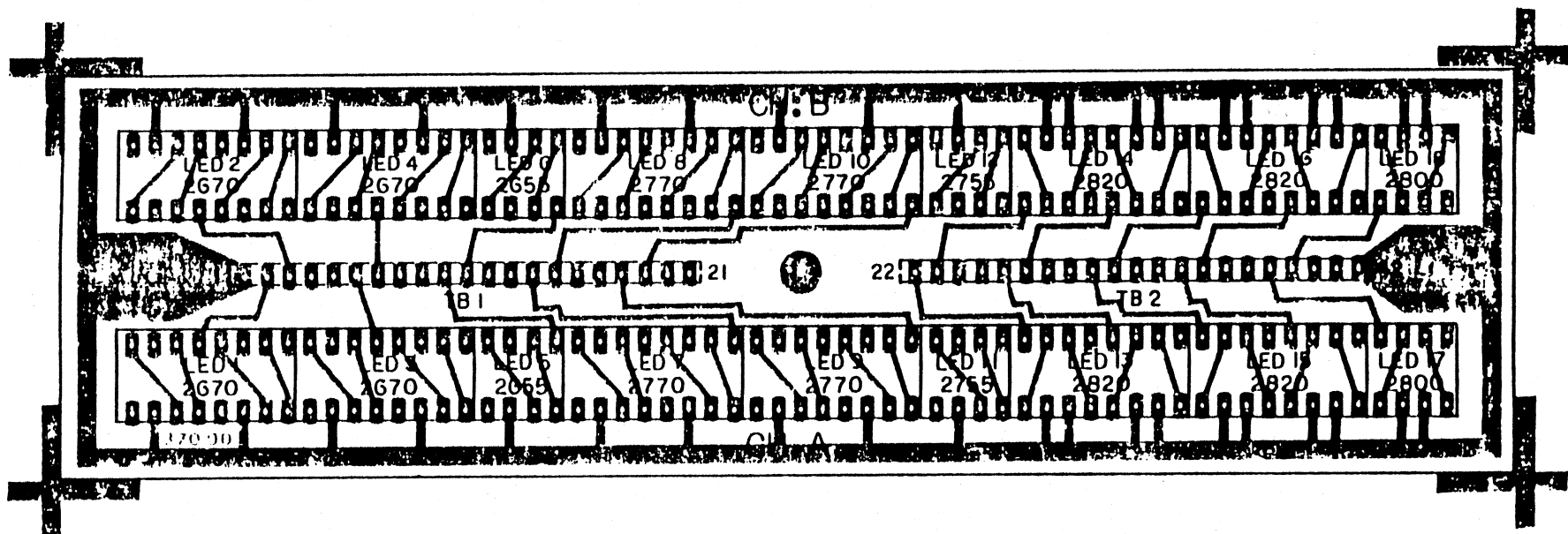
DALLAS MUSIC INDUSTRIES HAWTHORNE, N.J. 07508			
DWN.: JJD	DATE: 1/15/82	CRST:	
APP: <i>[Signature]</i>	DATE: 1-20-82	MODEL "S" SERIES POWER AMPLIFIERS	
TOL: RS: ±.02 L: ±1° RHS: ±.01 FRACT: 1/64		INPUT P.C.B.	
MATL.:		ASSEMBLY DWG.	
FINISH:		DWG. No.: 2202391	REV.: 00
		SCALE: 2:1	DO NOT SCALE DRAWING



USED	NOT USED	NOTES:	REV	ECO	DESCRIPTION	DATE	DALLAS MUSIC INDUSTRIES HAWTHORNE, N.J. 07506	
		1) LEDs ARE RED 2) UNSPECIFIED RESISTORS-1/4W					DWN.: JJD	DATE: 8/11/82
							APP: [Signature]	DATE: 8/11/82
							TOL: R: ±.02 L: ±1° RES: ±.01 FRAC: ±1/64	CREST: MODEL "S" SERIES POWER AMPLIFIERS
							MATL.:	LIGHT PROTECT P.C.B.
							FINISH:	SCHEMATIC
								DWG. No.: 2102402
								SCALE: -- NO NOT SCALE DRAW



LAST REF DES		NOTES: 1) LEDS MOUNT ON SOLDER SIDE 2) LEDS ARE RED 3) RESISTORS-1/4W	REV	ECO	DESCRIPTION	DATE	DALLAS MUSIC INDUSTRIES HAWTHORNE, N.J. 07508		
USED	NOT USED						DWN.: JJD	DATE: 8/11/82	CREST: MODEL "S" SERIES POWER AMPLIFIERS LIGHT PROTECT P.C.B. ASSEMBLY DWG.
RG							APP: [Signature]	DATE: 3/11/82	
LEDG							TOL: XX: ±.02 <: ±1° XXX: ±.01 FRACT: ±1/64		
TBI							MATL.:		
						FINISH:			
							DWG. Nr.: 2202402	REV 100	
							SCALE: 2:1	DO NOT SCALE DRAWING	



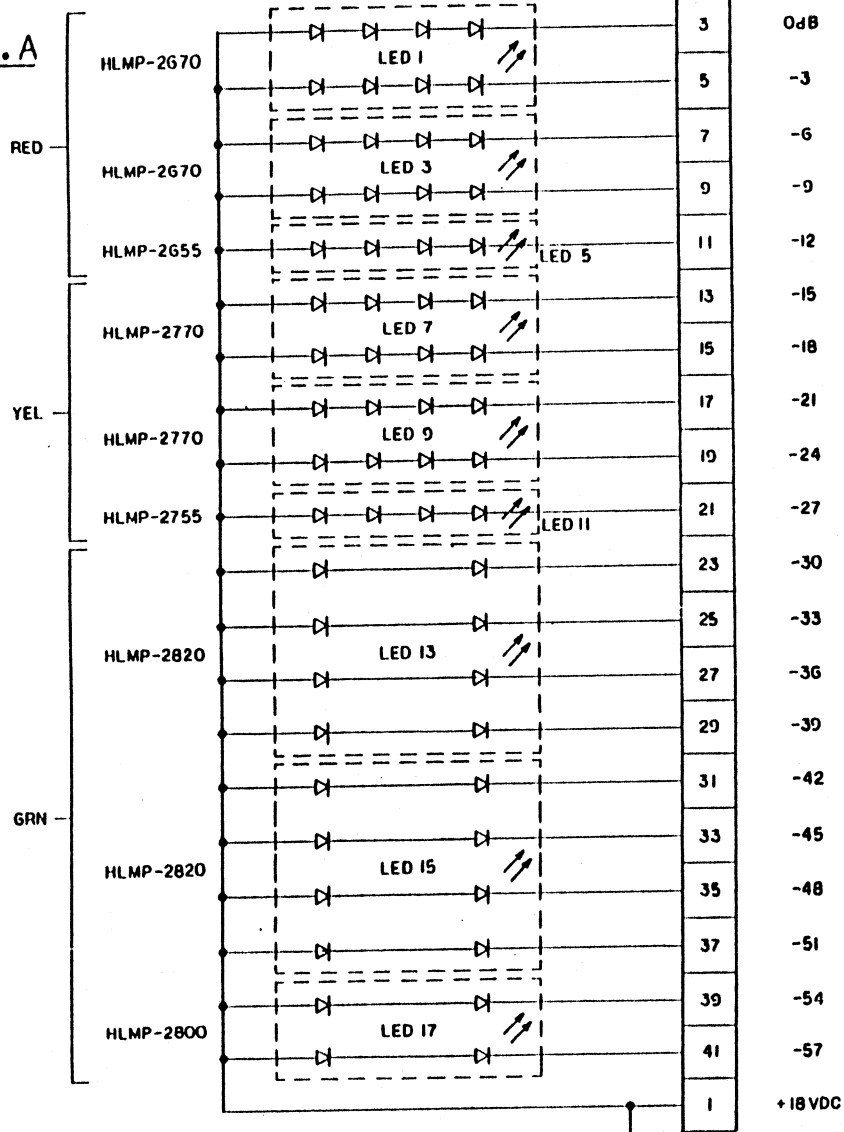
NOTES:

- 1) COMPONENT SIDE UP
- 2) RED- LED 1-6
YEL- LED 7-12
GRN- LED 13-18
- 3) TB1 & 2 MOUNT ON SOLDER SIDE

REV	ECO	DESCRIPTION	DATE

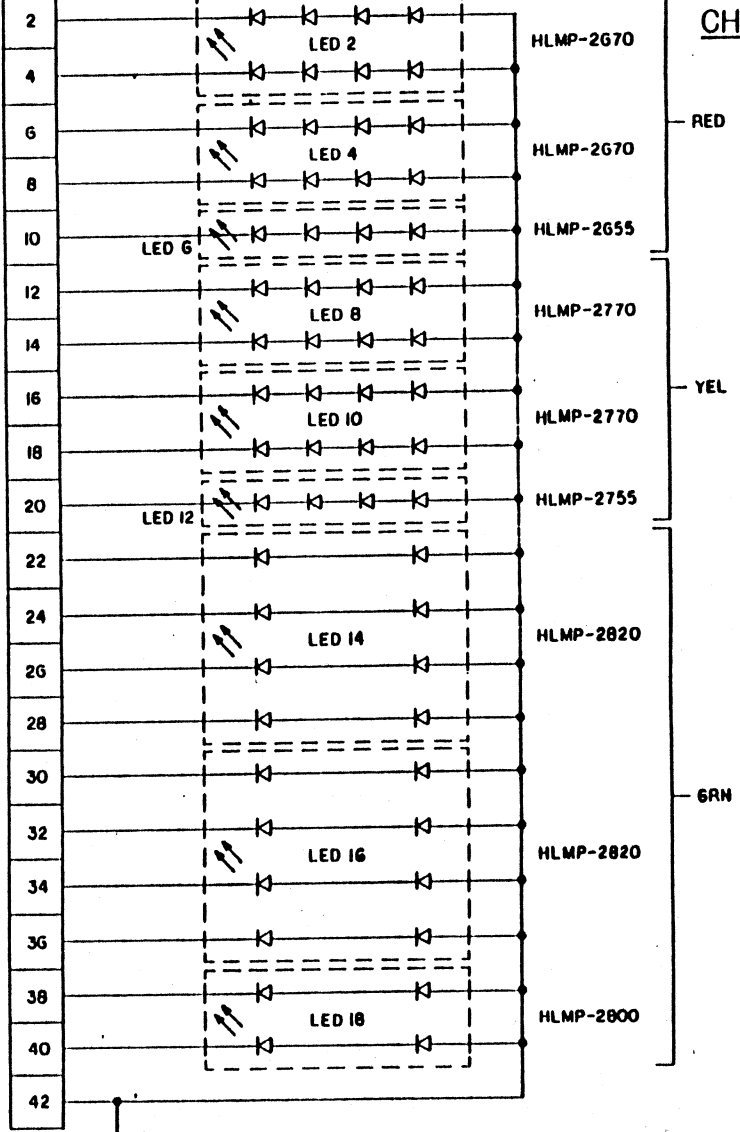
DALLAS MUSIC INDUSTRIES HAWTHORNE, N.J. 07508			
DWN.: JJD	DATE: 2/8/82	CREST:	
APP: <i>[Signature]</i>	DATE: 6-12-82	POWER AMPLIFIERS w/ METERS	
TOL: DR: ±.02 Z: ±1° HRS: ±.01 FRAC: 1/64	METER ARRAY P.C.B.		ASSEMBLY DWG,
MATL.:	DWG. Nr.: 2202370		REV: 00
FINISH:	SCALE: 2:1 DO NOT SCALE DRAWING		

CH. A



0dB	2
-3	4
-6	6
-9	8
-12	10
-15	12
-18	14
-21	16
-24	18
-27	20
-30	22
-33	24
-36	26
-39	28
-42	30
-45	32
-48	34
-51	36
-54	38
-57	40
+18VDC	42

CH. B



RED
YEL
GRN

NOTES:
1) TB1 TERMINALS 1-21 & TB2 TERMINALS 22-42.

REV	ECO	DESCRIPTION	DATE

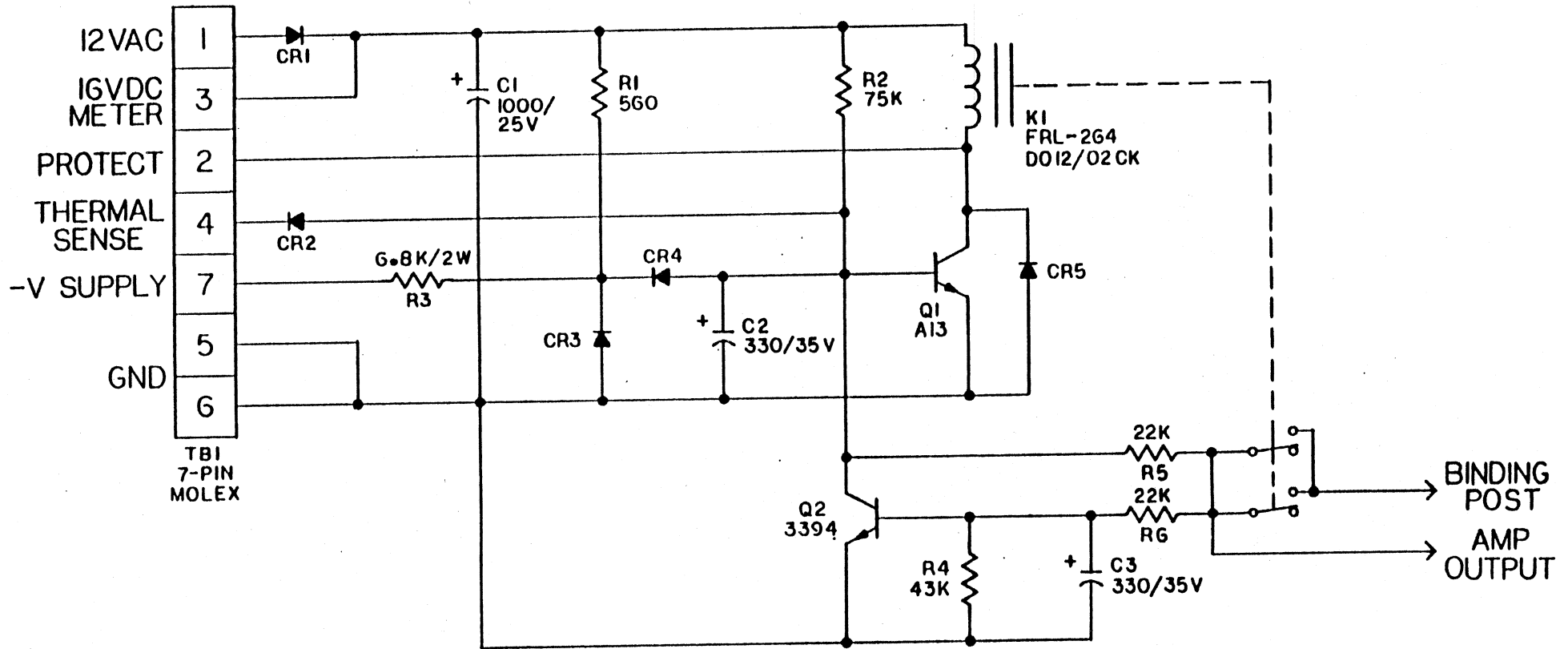
DALLAS MUSIC INDUSTRIES
HAWTHORNE, N.J. 07508

OWN: JJD DATE: 8/8/82 CREST:
APP: [Signature] DATE: 8-2-82 MODELS 2500B, 3500B, 4000, 5000
POWER AMPLIFIER LEADS
TOL: 1.00 ±.010
FIN: 2.00 ±.010
FRAC: 1/64

NETER ARRAY P.C.B.

MATL:
SCHEMATIC

FINISH: OWS No: 2103370 REV: 00
SCALE: -- DO NOT SCALE DRAWING



NOTES:
 1) ALL DIODES: IN4004

LAST REF	DES	REV	ECO	DESCRIPTION	DATE
	C3				
	R6				
	K1				
	Q2				
	CR5				
	TBI				

DALLAS MUSIC INDUSTRIES
 HAWTHORNE, N.J. 07508

DWN: JJD	DATE: 2-2-82	CREST:
APP: <i>[Signature]</i>	DATE: <i>[Signature]</i>	
TOL: ±.02 <: ±1° MAX: ±.01 FRAC: 1/64		MODEL "S" SERIES POWER AMPLIFIERS
MATL:		RELAY P.C.B.
FINISH:		SCHEMATIC
DWO. No.: 2102400		REV: 00
SCALE: --		DO NOT SCALE DRAWING

