



Schematic set

CA Series power amplifiers

May 2000 (current production)

- 1. Front display board**
- 2. Rear Input connector board**
- 3. CA6 / CA9 Preamp**
- 4. CA6 / CA9 / CA12 Power supply**
- 5. CA6 / CA9 Output power module**

6

5

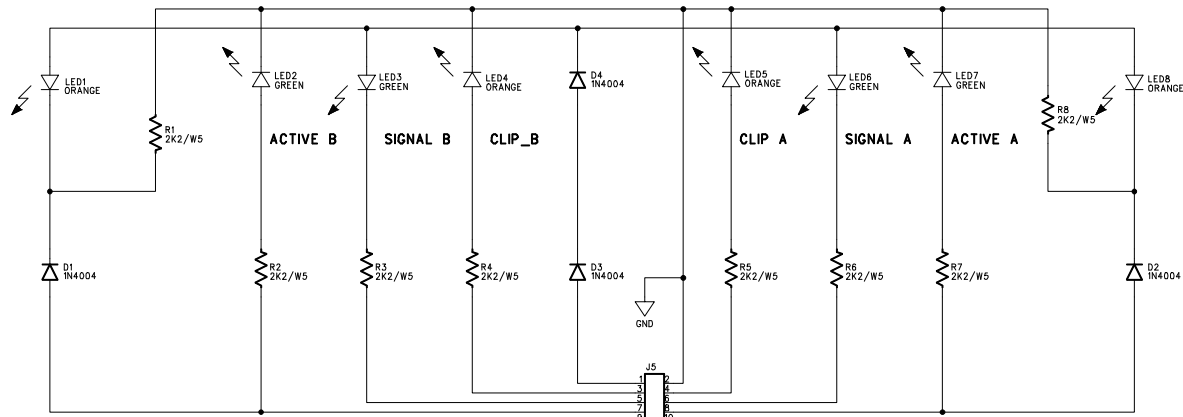
4

3

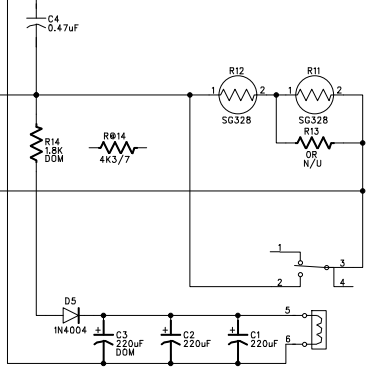
2

1

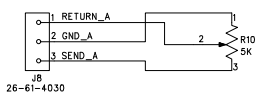
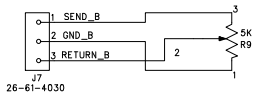
REVISION RECORD			
LTR	ECO NO:	APPROVED:	DATE:



TST-105-04-L-D-R



NOTES:
R14 4.3K/7W EXPORT



TITLE: CA SERIES DISPLAY			
DRAWN:	DATED:	CODE:	SIZE: C
CHECKED:	DATED:	DRAWING NO: 21A1925-05	REV: 5
QUALITY CONTROL:	DATED:	SCALE:	
RELEASED:	DATED:	SHEET: 1 OF 1	

6

5

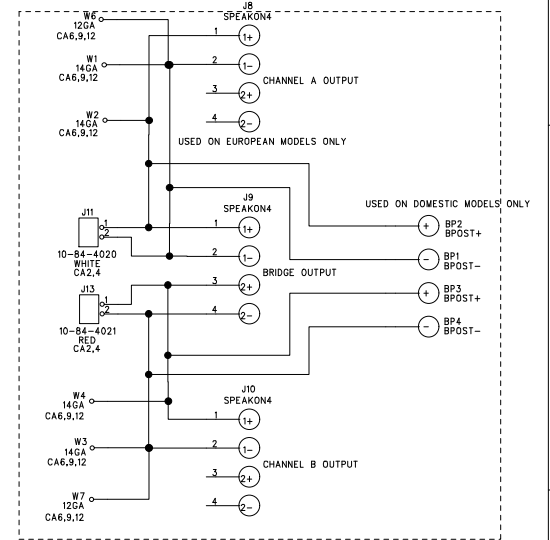
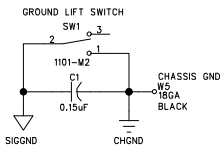
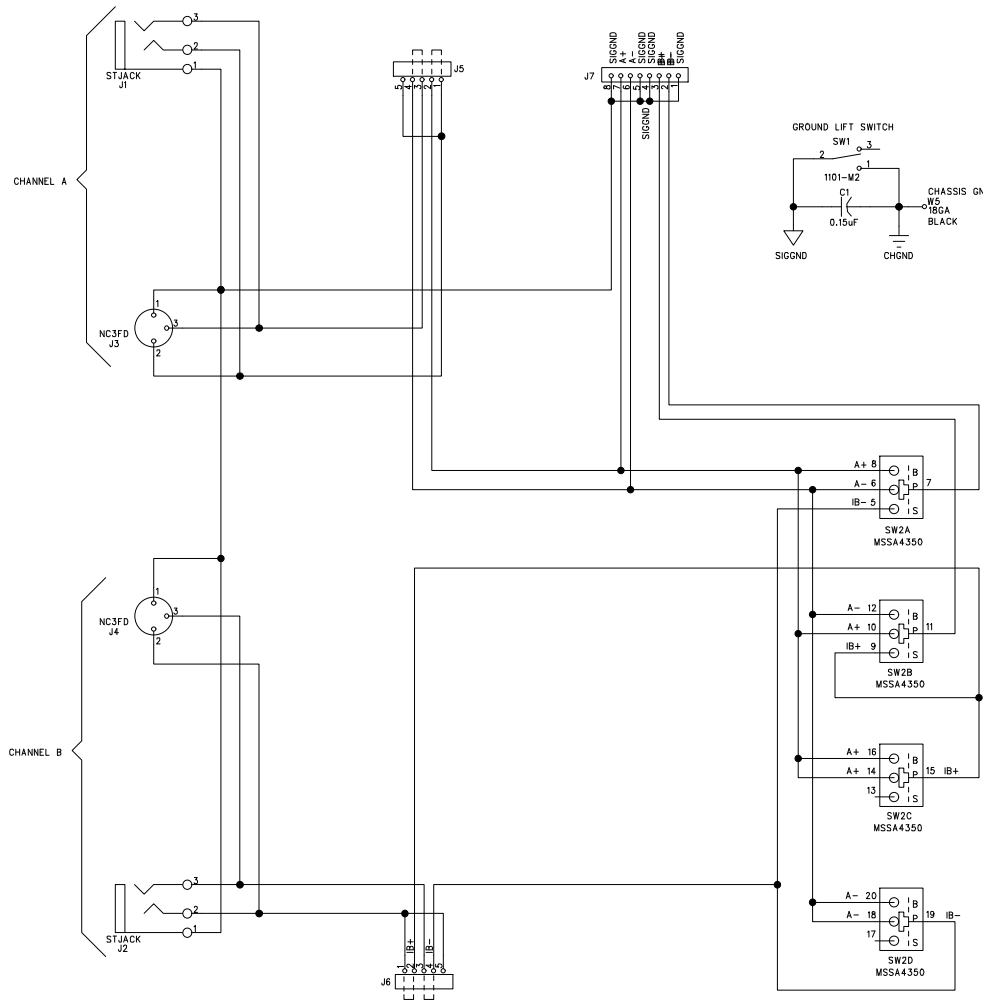
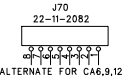
4

3

2

1

REVISION RECORD			
LTR	ECO NO:	APPROVED:	DATE:



MODE SWITCH
 B= BRIDGE MODE
 P= PARALLEL MODE
 S= STEREO MODE



TITLE: CA 2,4,6,9, & 12 INPUT			
CODE:	SIZE: C	DRAWING NO: 2410-01	REV: 01
SCALE:		SHEET: 1 OF 2	

DRAWN: BE	DATED: 11/28/94
CHECKED:	DATED:
QUALITY CONTROL:	DATED:
RELEASED:	DATED:

6

5

4

3

2

1

REVISION RECORD			
LTR	ECO NO:	APPROVED:	DATE:

PCB1
25C2410-01
69000275

USED ON EUROPEAN MODELS ONLY

- 1 SO1 SWAGE--781
- 1 SO2 SWAGE--781
- 1 SO3 SWAGE--781
- 1 SO4 SWAGE--781
- 1 SO5 SWAGE--781
- 1 SO6 SWAGE--781

ON ALL MODELS OTHER THAN EUROPEAN (NO SPEAKONS)
INSTALL THIS STANDOFF

- 1 SWAGE--938

- 1 SO7 SWAGE--854
- 1 SO8 SWAGE--854
- 1 SO9 SWAGE--854
- 1 SO10 SWAGE--854

JUMP1 JUMPSHUNT
JUMP2 JUMPSHUNT
JUMP3 JUMPSHUNT
JUMP4 JUMPSHUNT
INSTALL IN LOCATIONS J5 & J6
PINS 1&2 AND 3&4 RESPECTIVELY

CA6,9,12

WIRE128
WIRE SET INPUT CABLE ASSY CHANNEL A

CA6,9,12

WIRE129
WIRE SET INPUT CABLE ASSY CHANNEL B

CA2,4,6,9,12

WIRE130
WIRE SET INPUT BOARD GROUND CABLE

CA6,9,12

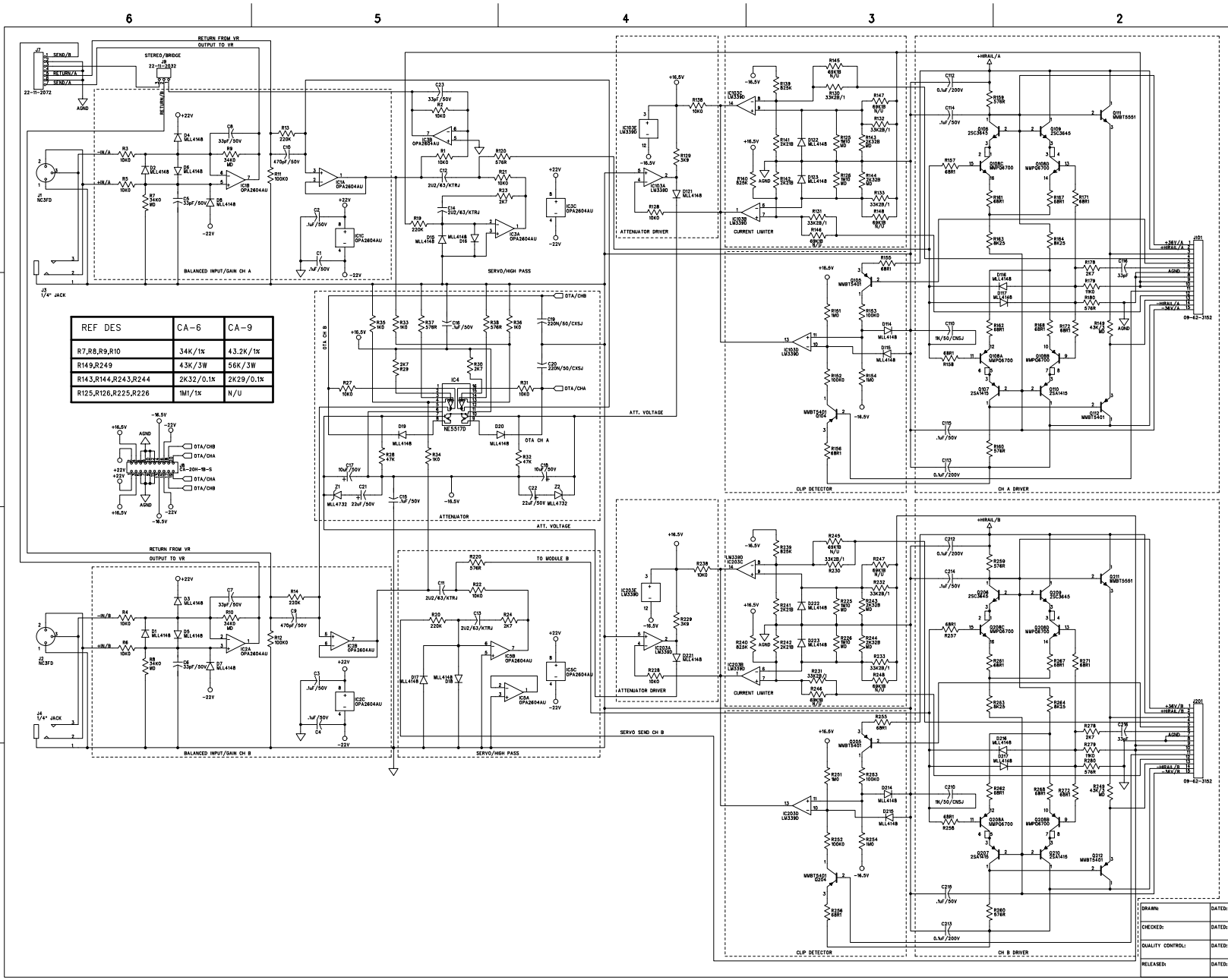
WIRE138
WIRE SET INPUT TO P/S GROUND CABLE



TITLE: CA 2,4,6,9 & 12 INPUT

DRAWN:	DATED:
CHECKED:	DATED:
QUALITY CONTROL:	DATED:
RELEASED:	DATED:

CODE:	SIZE: C	DRAWING NO: 2410-01	REV: 01
SCALE:		SHEET: 2 OF 2	



REF DES	CA-6	CA-9
R7,R8,R9,R10	34K/1X	43.2K/1X
R149,R249	43K/3W	56K/3W
R143,R144,R243,R244	2K32/0.1X	2K29/0.1X
R125,R126,R225,R226	1M/1X	N/U

REVISION RECORD			
LTR	EGD NO.	APPROVED:	DATE:

CRESTAUDIO

CA6, CA9 PREAMP

TITLE:	CA6, CA9 PREAMP		
DRAWN:	DATE:	CODE:	SIZE:
CHECKED:	DATE:	DRAWING NO:	REV:
QUALITY CONTROL:	DATE:	1915-03.SCH	3
RELEASED:	DATE:	SCALE:	SHEET: 1 OF 1

6

5

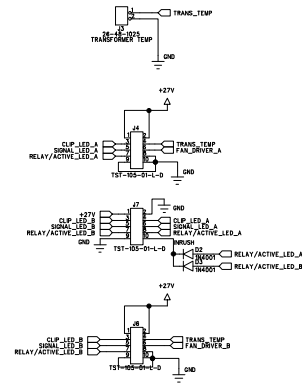
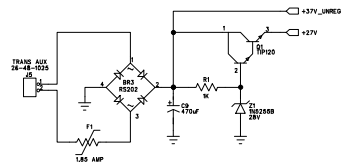
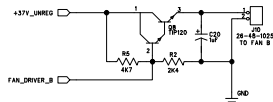
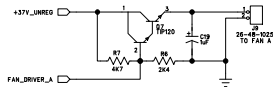
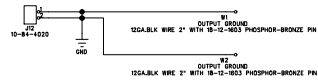
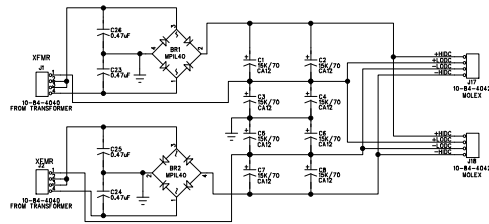
4

3

2

1

REVISION RECORD			
LTR	ECO NO.	APPROVED:	DATE:



CRESTAUDIO

TITLE: CAK/9/12 POWER SUPPLY

DRAWN: BE	DATED: 2/94	CODE:	SIZE:	DRAWING NO:	REVL: 03
CHECKED: FR	DATED: 7-8-95				
QUALITY CONTROL:	DATED:				
RELEASED:	DATED:	SCALE:		SHEET: 1 OF 1	

6

5

4

3

2

1

REVISION RECORD			
LTR	ECO NO.	APPROVED:	DATE:



FOR W1 & W2 TO I/O PCB



CA6,9,12 HEATSINK FOR BRIDGE RECT.

Q01
FOR BRIDGE RECTIFIER HEATSINK
SCREEN: 8149/8 ST TYPE 8 3217-114F PAN HD PHL ZINC

Q01
SCREEN COUPLER
FOR BRIDGE RECTIFIER HEATSINK

Q02
FOR BRIDGE RECTIFIER HEATSINK
SCREEN: 278710-20

Q03
FOR BRIDGE RECTIFIER HEATSINK
SCREEN: 10-3221/4 PAN HD PHL ZINC BLACK

Q04
FOR BRIDGE RECTIFIER HEATSINK
SCREEN: 10-3221/4 PAN HD PHL ZINC BLACK

Q05
FOR BRIDGE RECTIFIER HEATSINK
SCREEN: 10-3221/4 PAN HD PHL ZINC BLACK



HS602SPB



NUT_4-16 KEP



SCR4-4015/M



HS602SPB



NUT_4-16 KEP



SCR6-4015/M



HS602SPB



NUT_4-16 KEP



SCR8-4015/M

HEATSINKS AND HARDWARE MOUNT TO 07, 08, 01

MODEL DEPENDENT CAPACITORS

	CA6	CA9	CA12
C1,2=	C301 	C301 	C302
C3,4=	C304 	C303 	C304
C5,6=	C305 	C305 	C306
C7,8=	C308 	C307 	C308



EDGE PROTECTOR_2
USED ON HEATSINK TO PROTECT WIRES



EDGE PROTECTOR_2
USED ON HEATSINK TO PROTECT WIRES



EDGE PROTECTOR_2
USED ON HEATSINK TO PROTECT WIRES



TITLE: CA6/9/12 POWER SUPPLY
CA6_9_12CAP.sch

DRAWN:	DATE:	CODE:	SIZE:	DRAWING NO:	REV:
CHECKED:	DATE:				
QUALITY CONTROL:	DATE:				
RELEASED:	DATE:	SCALE:		SHEET: 2 of 2	

6

5

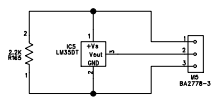
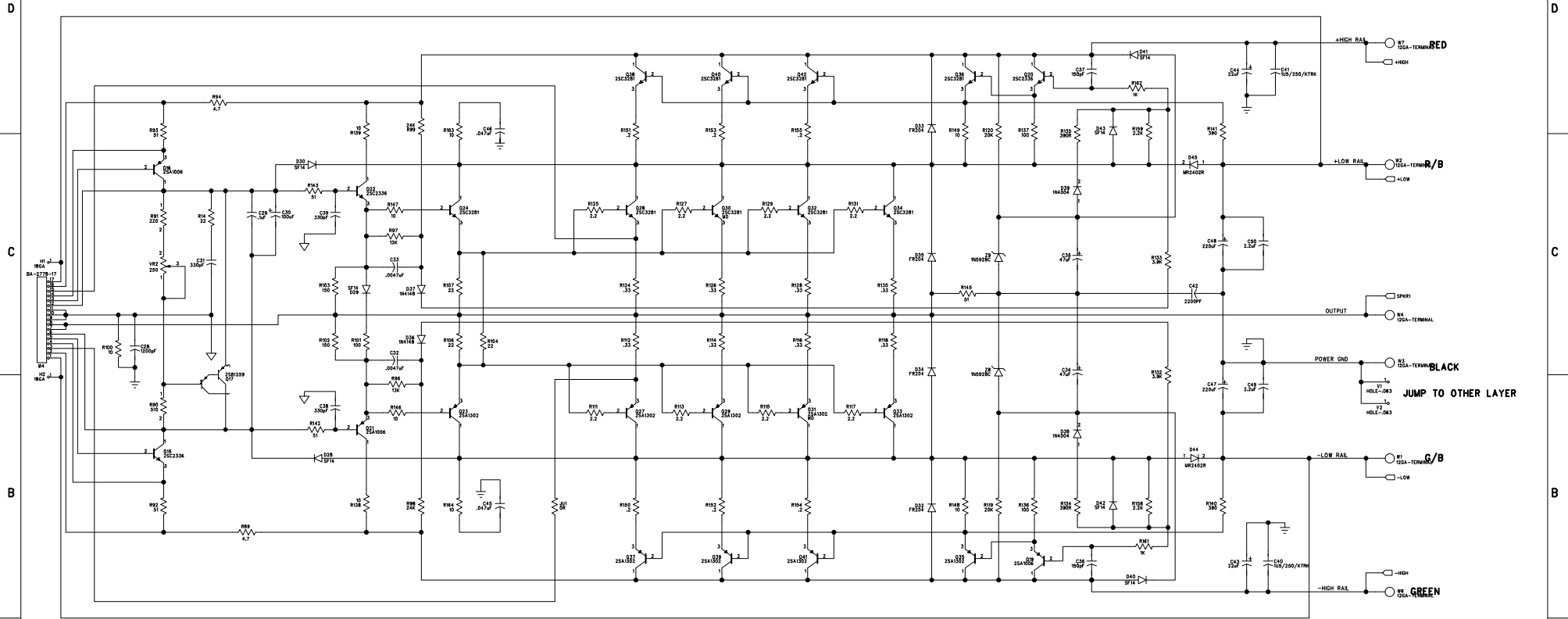
4

3

2

1

REVISION RECORD			
LT#	ECO NO.	APPROVED:	DATE:



Q30 & Q31 NOT INSTALLED ON CA6

CRESTAUDIO

CA 6, 9 OUTPUT MODULE

DRAWN:	DATE:	TITLE:		
CHECKER:	DATE:	CA 6, 9 OUTPUT MODULE		
QUALITY CONTROL:	DATE:	CODE:	SIZE:	DRAWING NO:
RELEASED:	DATE:	D		2949-01
		SCALE:		REV: 0
				SHEET 1 OF 2

6

5

4

3

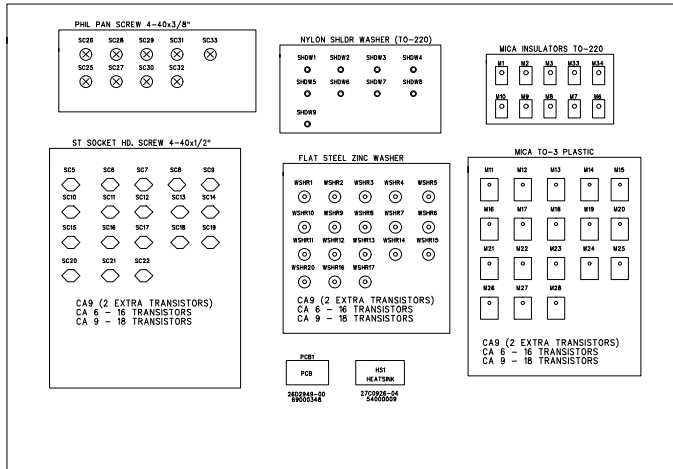
2

1

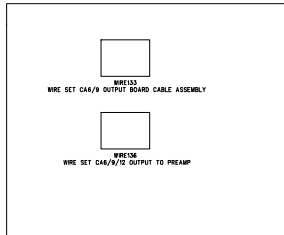
REVISION RECORD			
LTR	ECO NO.	APPROVED	DATE

REV-1 BOARDS WERE NOT SENT OUT
 CA 6,9 OUTPUT WAS 7001 OUTPUT PCB
 SCHEMATIC MATCHES REV-1 EXCEPT FOR VALUES
 LAYOUT WAS DONE USING OLD DATABASE
 SEVERAL RESISTOR PINS 1 & 2 ARE SWAPPED BETWEEN SCHEMATIC AND PCB
 RESISTOR PINS FIXED ON REV-1

HEATSINK MODULE ASSY.



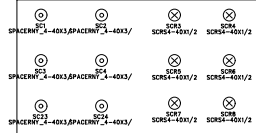
WIRE ASSEMBLY



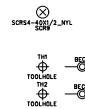
FASTEN PREAMP TO OUTPUT PCB



FASTEN OUTPUT PCB TO HEATSINK



LW35DP



TITLE:
CA 6. 9 OUTPUT MODULE

DRAWN:	DATED:	CODE:	SIZE:	DRAWING NO.:	REV.:
CHECKED:	DATED:	D		2949-00	0
QUALITY CONTROL:	DATED:	SCALE:			SHEET: 2 OF 2
RELEASED:	DATED:				