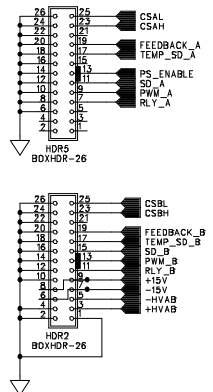
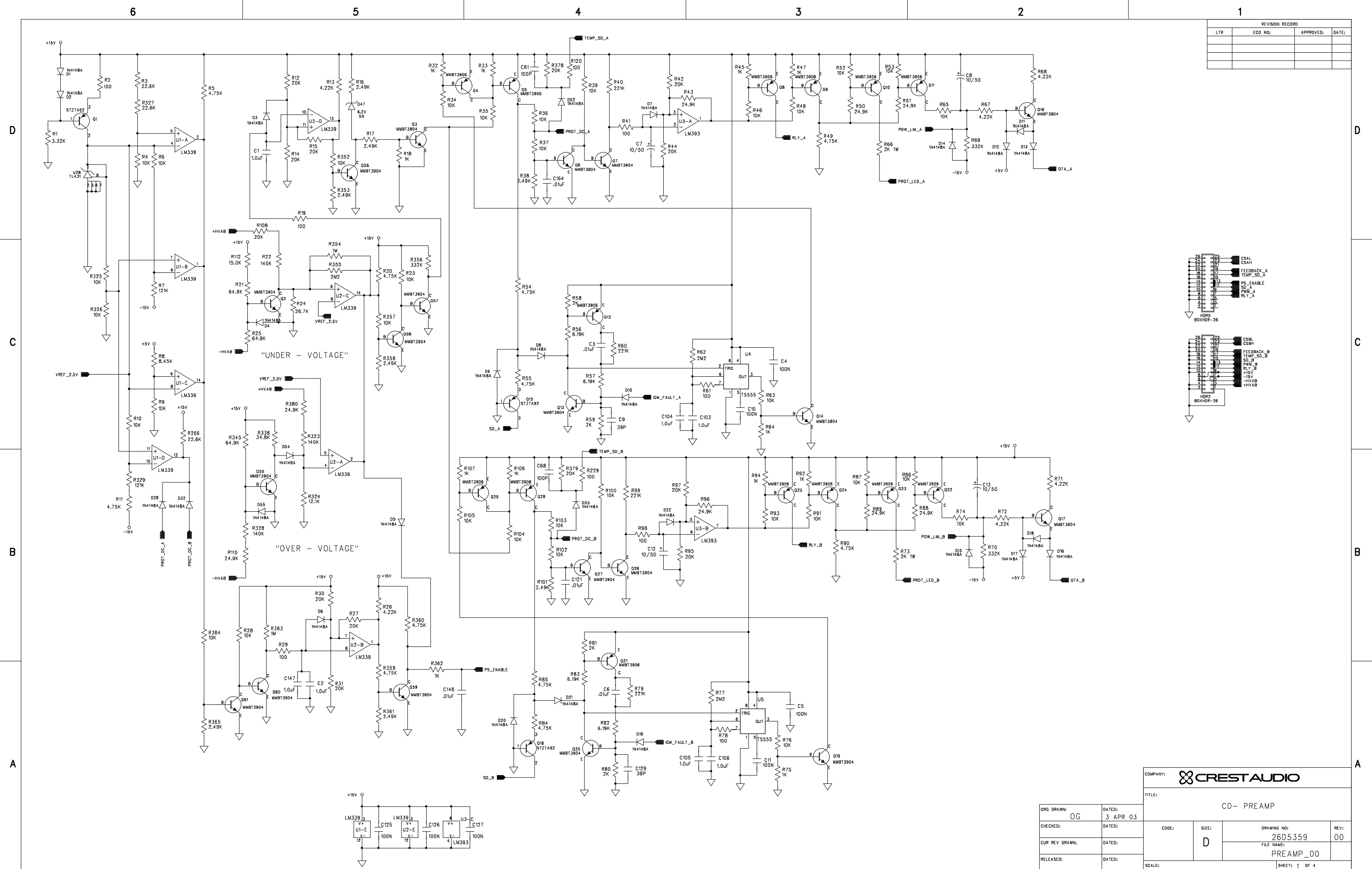
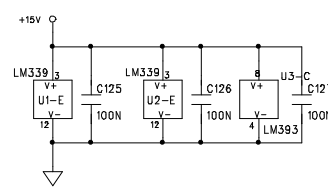


REVISION RECORD			
LTR	ECO NO:	APPROVED:	DATE:

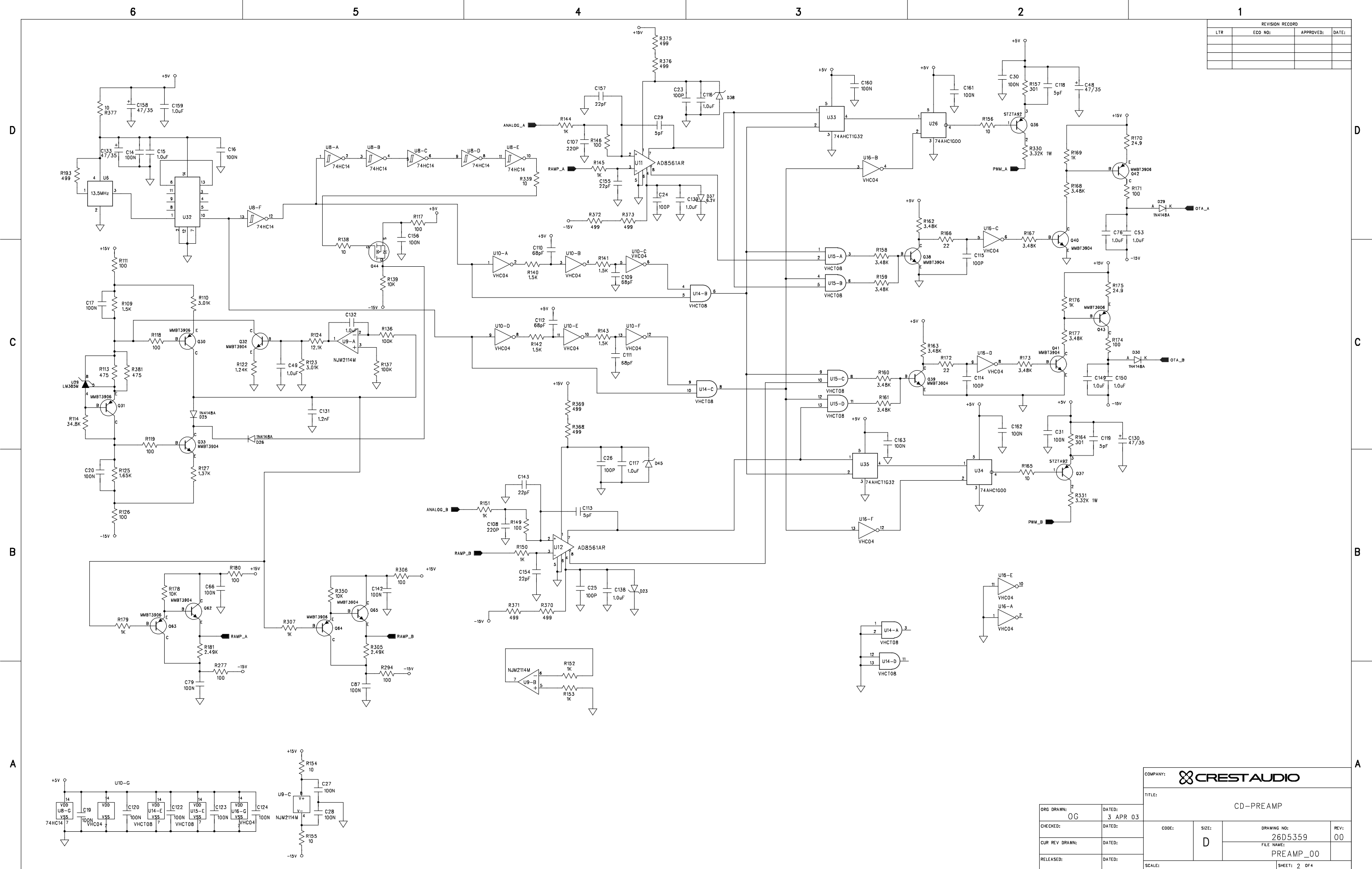


COMPANY: <b>CRESTAUDIO</b>		TITLE: CD- PREAMP	
ORG DRAWN: OG	DATED: 3 APR 03	CODE: D	SIZE: 26D5359
CHECKED:	DATED:	DRAWING NO: 26D5359	REV: 00
CUR REV DRAWN:	DATED:	FILE NAME: PREAMP_00	
RELEASED:	DATED:	SHEET: 1 OF 4	



ORG DRAWN: OG	DATED: 3 APR 03
CHECKED:	DATED:
CUR REV DRAWN:	DATED:
RELEASED:	DATED:

REVISION RECORD			
LTR	ECO NO:	APPROVED:	DATE:



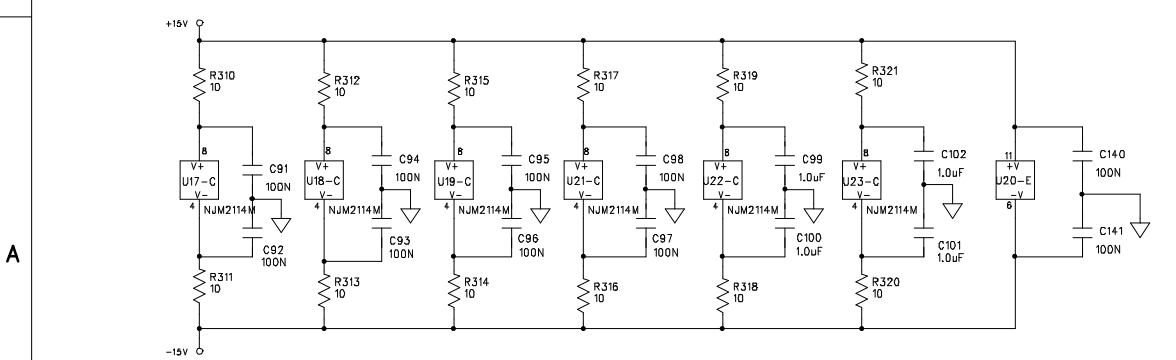
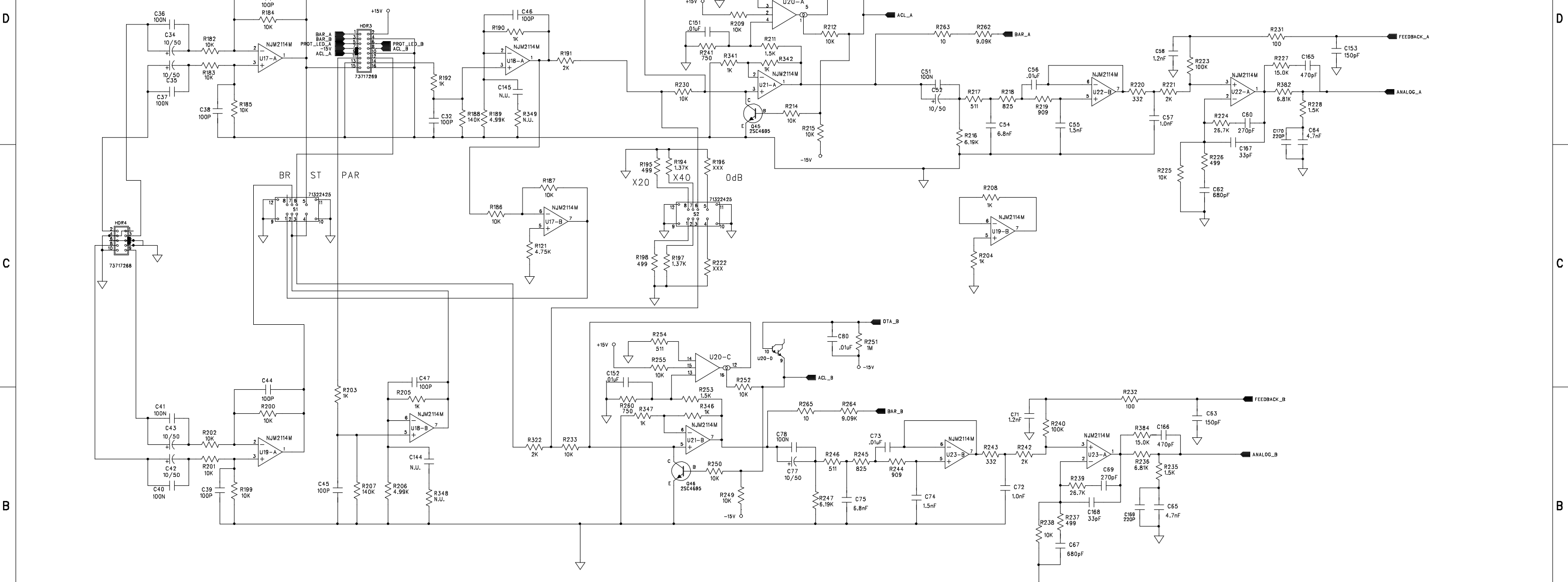
COMPANY: **CRESTAUDIO**

TITLE: **CD-PREAMP**

ORG DRAWN: <b>OG</b>	DATED: <b>3 APR 03</b>	CODE: <b>D</b>	SIZE: <b>D</b>	DRAWING NO: <b>26D5359</b>	REV: <b>00</b>
CUR REV DRAWN:	DATED:			FILE NAME: <b>PREAMP_00</b>	
RELEASED:	DATED:	SCALE:		SHEET: <b>2 OF 4</b>	

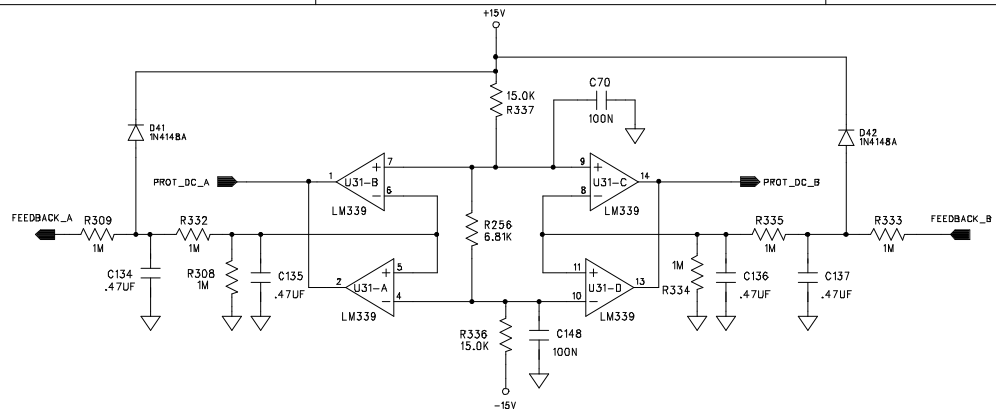
REVISION RECORD			
LTR	ECO NO:	APPROVED:	DATE:

6 5 4 3 2 1



COMPANY: <b>CRESTAUDIO</b>		TITLE: <b>CD-PREAMP</b>	
ORG DRAWN: <b>OG</b>	DATED: <b>3 APR 03</b>	CODE: <b>D</b>	REV: <b>00</b>
CUR REV DRAWN:	DATED:	DRAWING NO: <b>26D5359</b>	FILE NAME: <b>PREAMP_00</b>
RELEASED:	DATED:	SCALE:	SHEET: <b>3 OF 4</b>

REVISION RECORD			
LTR	ECO NO:	APPROVED:	DATE:



+-HV OVERVOLTAGE DETECT

REF DES	CD1000	CD1500	CD2000	CD3000
R323	100K	100K	140K	140K
R380	4.75K	24.9K	4.75K	24.9K
R328	100K	100K	100K	140K
R115	4.75K	24.9K	49.9K	24.9K

+-HV UNDERVOLTAGE DETECT

REF DES	CD1000	CD1500	CD2000	CD3000
R22	100K	100K	140K	140K
R108	10	20K	10	20K
R21	100K	64.9K	64.9K	64.9K
R112	10	24.9K	24.9K	15.0K

PWM LEVEL SHIFT POWER RESISTOR

REF DES	CD1000	CD1500	CD2000	CD3000
R330, R331	2.0K (2512)	2.0K (2512)	2.0K (2512)	3.32K (2512)

CURRENT-LIMITING CIRCUITS

REF DES	CD1000	CD1500	CD2000	CD3000
R301	909	825	715	614
R270	909	806	681	562

CLOSED-LOOP GAIN CIRCUITS (0dB SETTING)

REF DES	CD1000	CD1500	CD2000	CD3000
R196, R222	2.74K	4.75K	9.09K	N.L.

LOOP COMPENSATION (STABILITY)

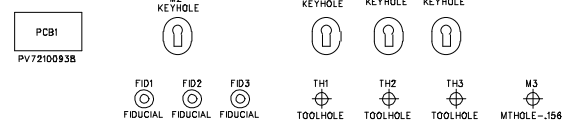
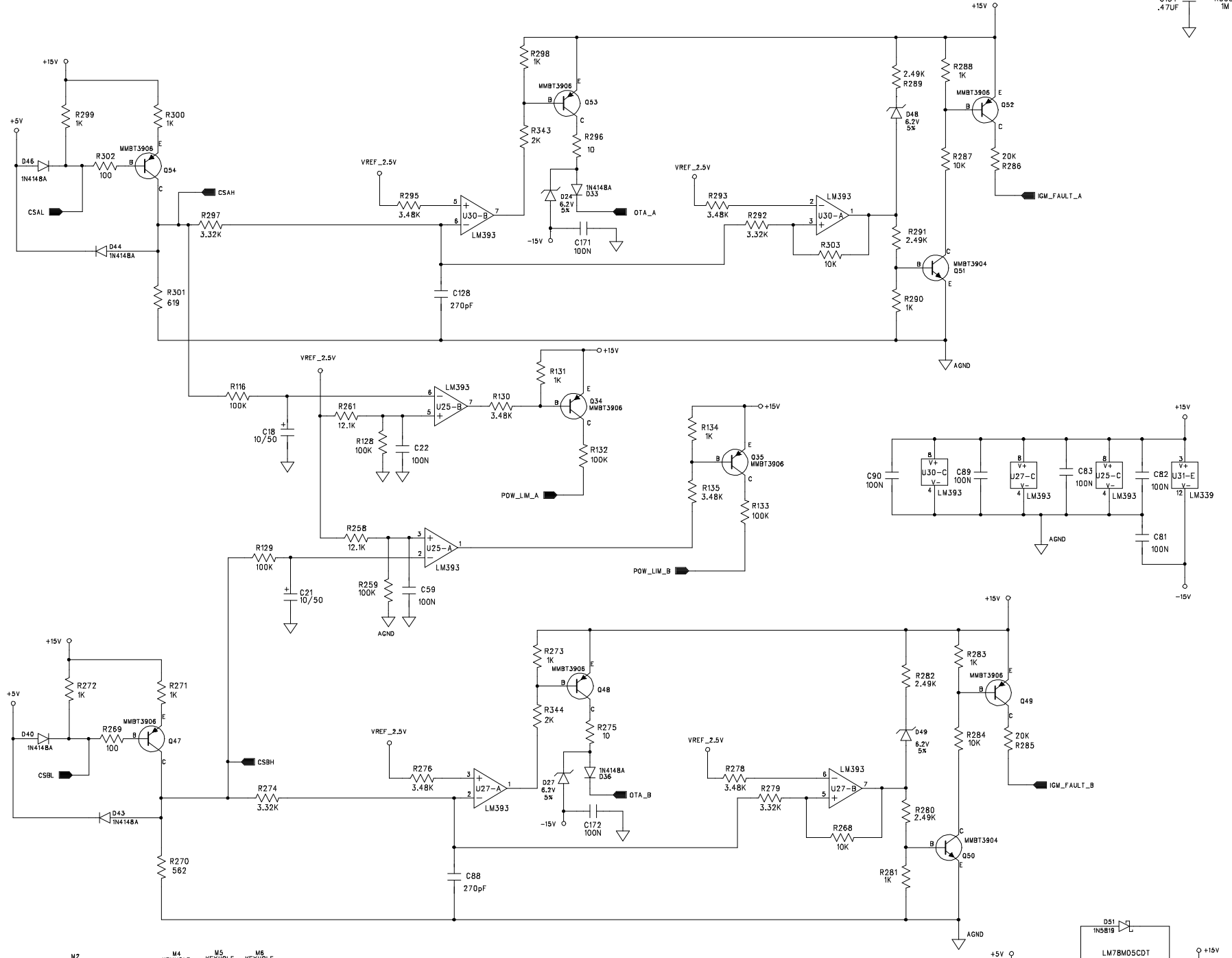
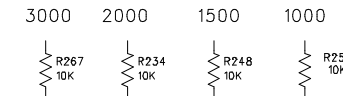
REF DES	CD1000	CD1500	CD2000	CD3000
R113	499	499	499	499
R381	1.37K	909	715	499

DISPLAY PCB FEED

REF DES	CD1000	CD1500	CD2000	CD3000
R262, R264	10	2.74K	4.75K	9.09K

MODEL INDICATING RESISTORS

REF DES	CD1000	CD1500	CD2000	CD3000
R267	N.L.	N.L.	N.L.	10K
R234	N.L.	N.L.	10K	N.L.
R248	N.L.	10K	N.L.	N.L.
R257	10K	N.L.	N.L.	N.L.



COMPANY: **CRESTAUDIO**

TITLE: **CD-PREAMP**

ORG DRAWN: **OG** DATED: **3APR 03**

CHECKED: DATED:

CLUR REV DRAWN: DATED:

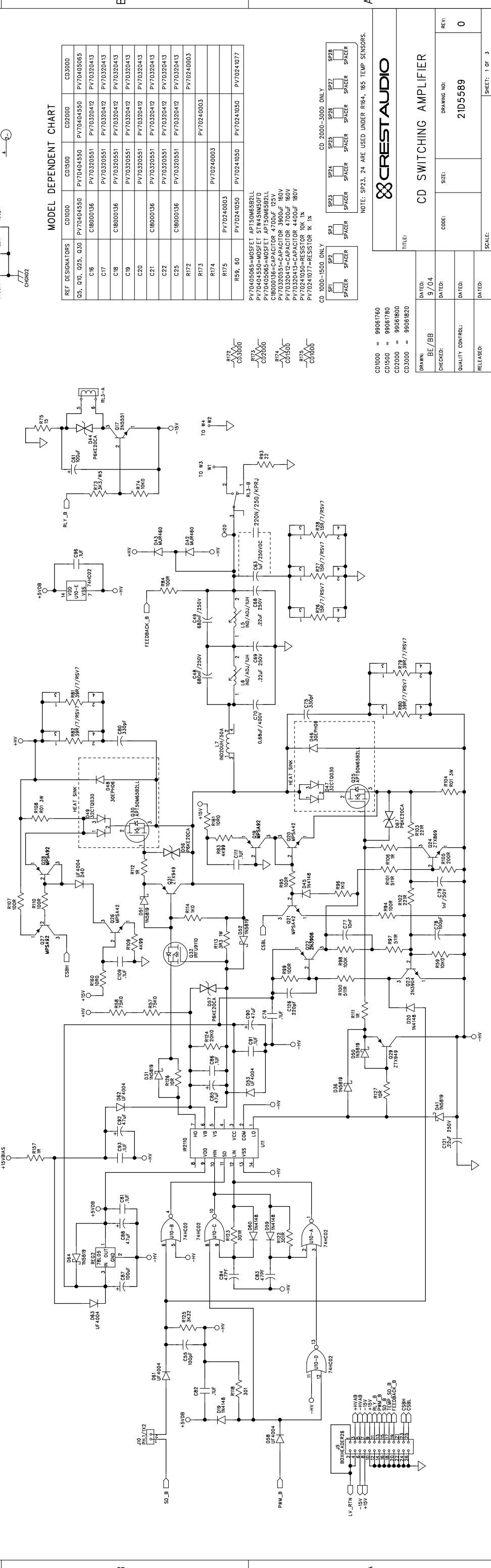
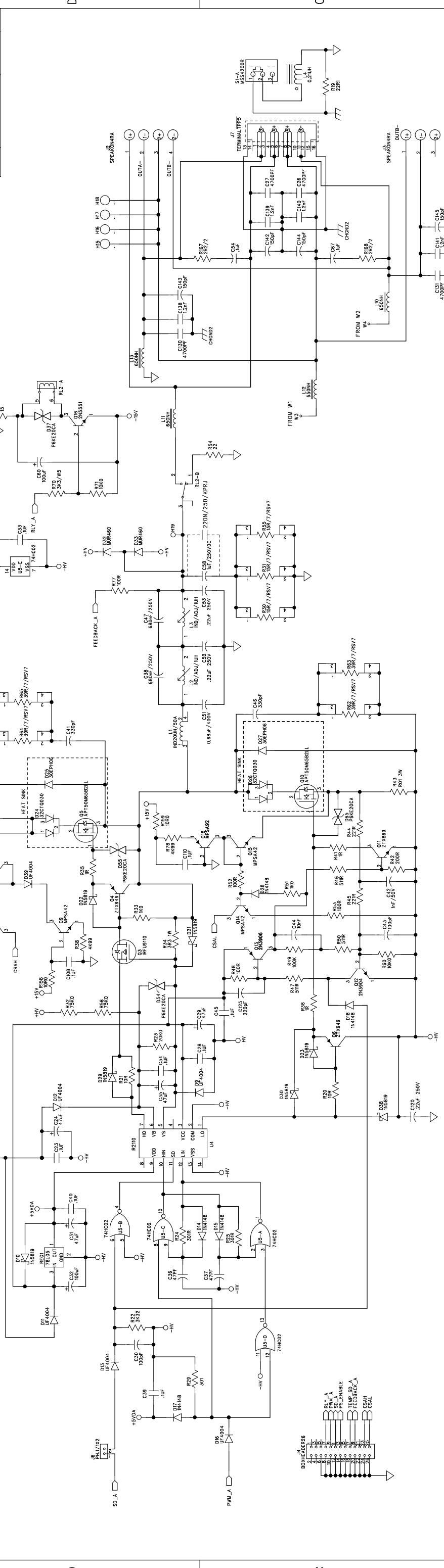
RELEASED: DATED:

CODE: **D** SIZE: **D** DRAWING NO: **26D5359** REV: **00**

FILE NAME: **PREAMP\_00**

SCALE: SHEET: **4** OF **4**

REVISION RECORD	
LTR	DATE:
ECO NO:	APPROVED:



MODEL DEPENDENT CHART

REF DESIGNATORS	CD1000	CD1500	CD2000	CD3000
Q5, Q10, Q25, Q30	PV70404550	PV70404550	PV70404550	PV70405065
C16	C18000136	PV70320412	PV70320412	PV70320413
C17	PV70320551	PV70320412	PV70320412	PV70320413
C18	C18000136	PV70320412	PV70320412	PV70320413
C19	PV70320551	PV70320412	PV70320412	PV70320413
C20	C18000136	PV70320412	PV70320412	PV70320413
C21	C18000136	PV70320412	PV70320412	PV70320413
C22	C18000136	PV70320412	PV70320412	PV70320413
R172	C18000136	PV70320412	PV70320412	PV70320413
R173	PV70240003	PV70240003	PV70240003	PV70240003
R174	PV70240003	PV70240003	PV70240003	PV70240003
R175	PV70240003	PV70240003	PV70240003	PV70240003
R176	PV70240003	PV70240003	PV70240003	PV70240003
R177	PV70240003	PV70240003	PV70240003	PV70240003
R178	PV70240003	PV70240003	PV70240003	PV70240003
R179	PV70240003	PV70240003	PV70240003	PV70240003
R180	PV70240003	PV70240003	PV70240003	PV70240003

PV70405065=MOSEFT APT50M65B2LL  
 PV70404550=MOSEFT STW45M50FD  
 PV70405065=MOSEFT APT50M65B2LL  
 C18000136=CAPACITOR 4700PF 150V  
 PV70320412=CAPACITOR 4700PF 180V  
 PV70320413=CAPACITOR 4400PF 180V  
 PV70240003=RESISTOR 10K 1%  
 PV70241077=RESISTOR 10K 1%

CD 1000-1500 ONLY  
 SP1 SPACER  
 SP2 SPACER  
 SP3 SPACER  
 SP4 SPACER  
 SP5 SPACER  
 SP6 SPACER  
 SP7 SPACER  
 SP8 SPACER

NOTE: SP23, 24 ARE USED UNDER R164, 165 TEMP SENSORS.

CD1000 = 99061760  
 CD1500 = 99061780  
 CD2000 = 99061800  
 CD3000 = 99061820

CRESTAUDIO

CD SWITCHING AMPLIFIER

DRAWN: BE/BB  
 CHECKED: 9/04  
 DATED: 9/04  
 DATED: 9/04  
 DATED: 9/04  
 DATED: 9/04

QUALITY CONTROL: 21D5589  
 RELEASED: 0

SCALE: 1 OF 3

REVISION RECORD	
LTR	DATE:
ECO NO:	APPROVED:

1

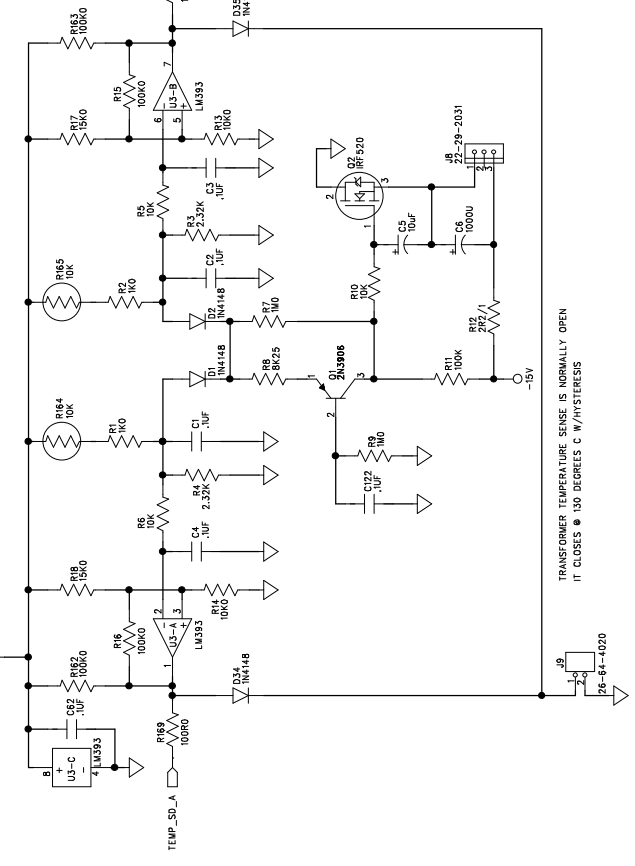
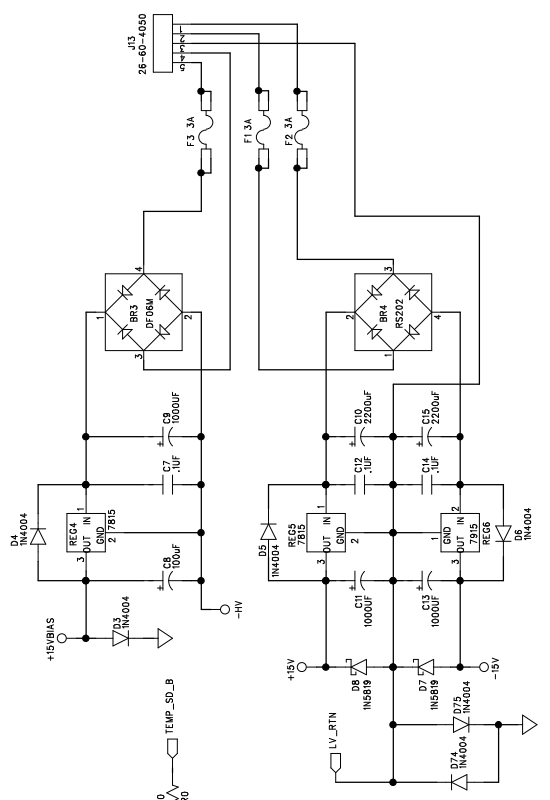
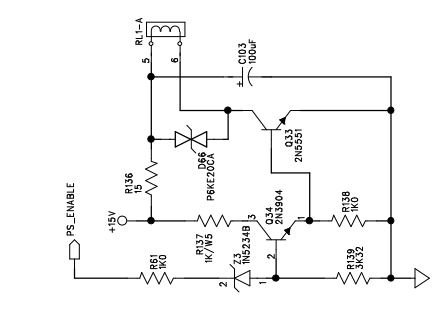
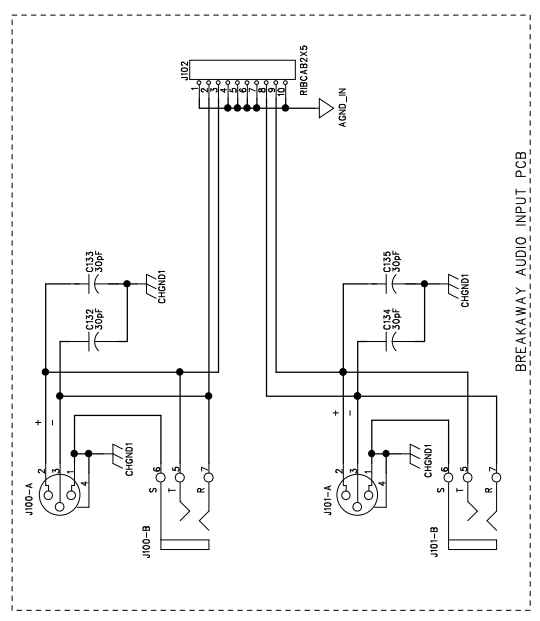
2

3

4

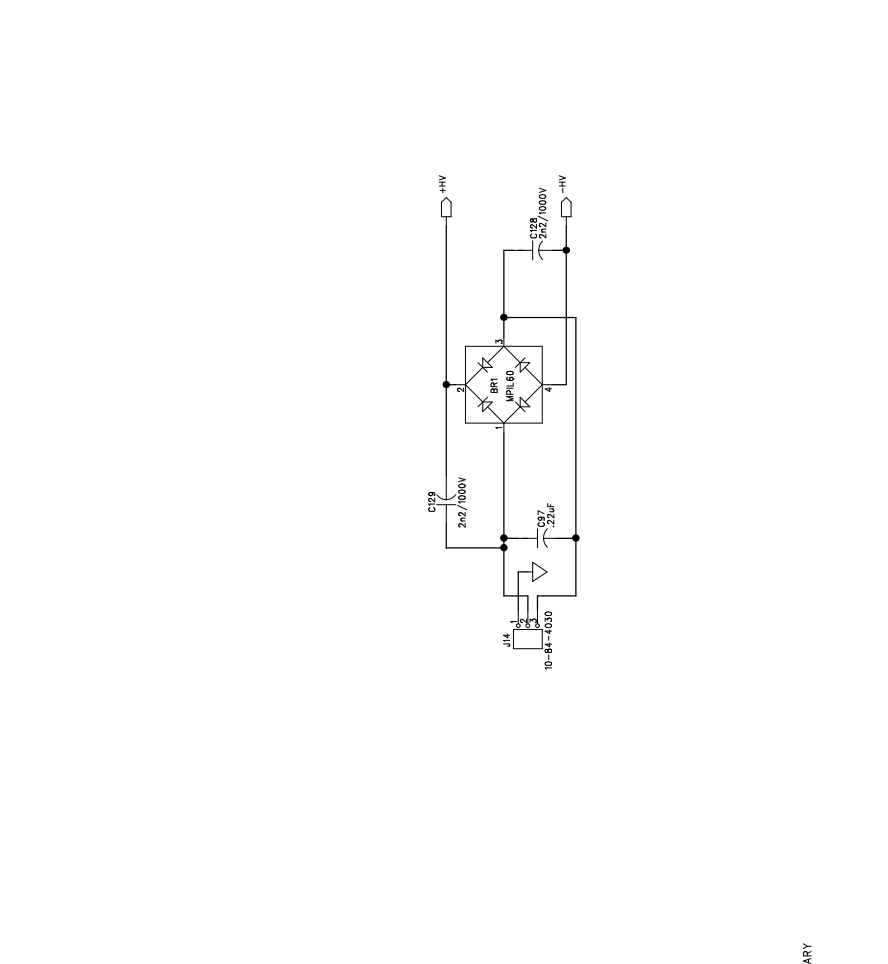
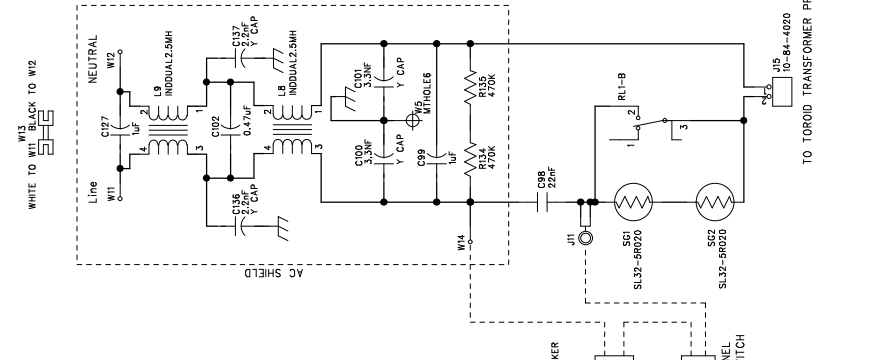
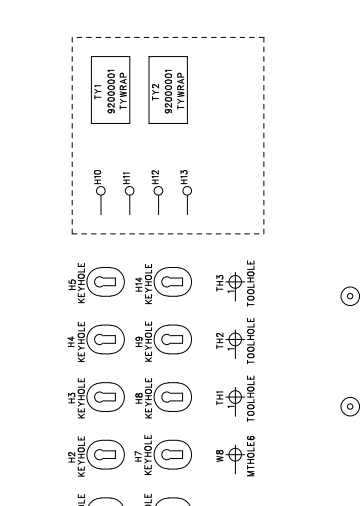
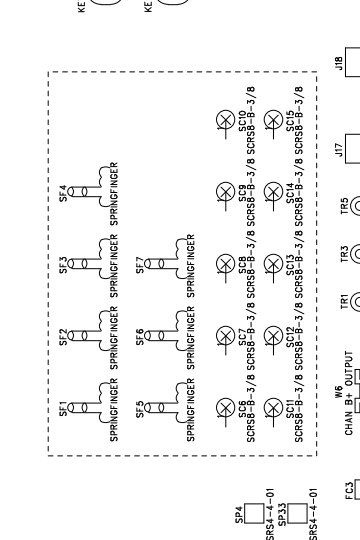
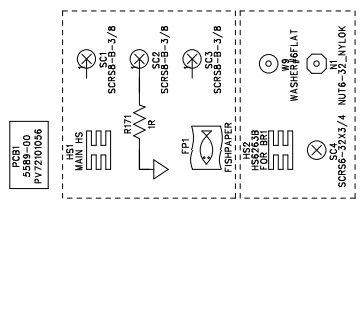
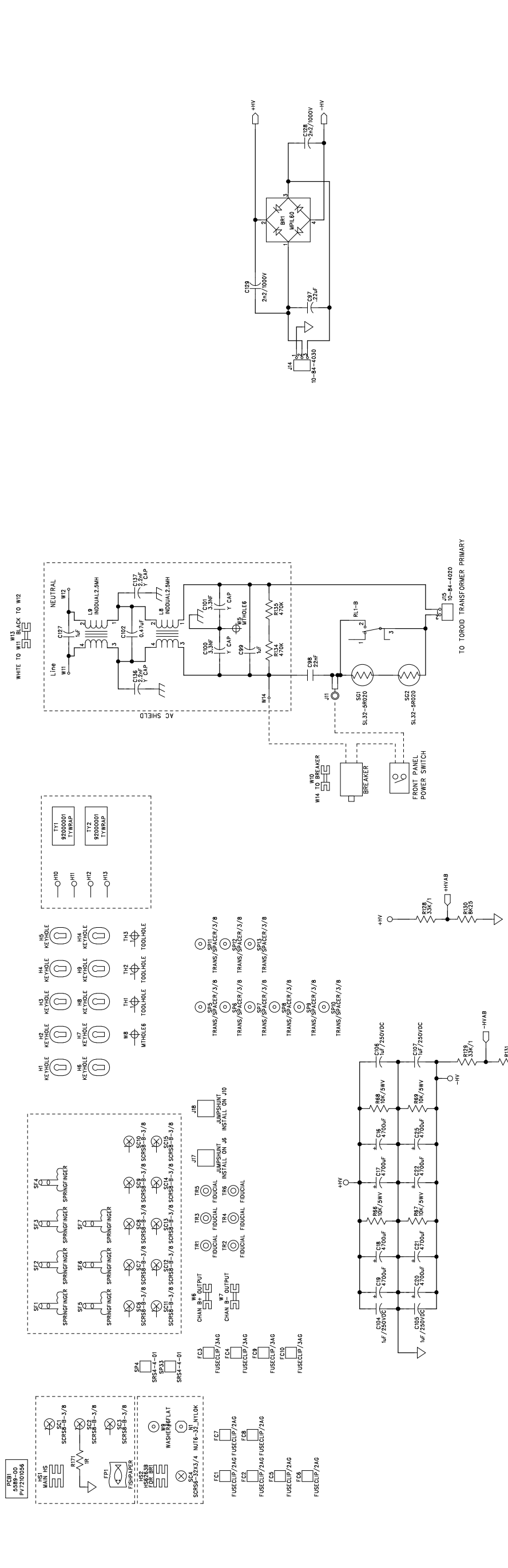
5

6



BREAKAWAY\_AUDIO\_INPUT\_PCB

TRANSFORMER TEMPERATURE SENSE IS NORMALLY OPEN IF CLOSURE 130 DEGREES C WITH HYSTERESIS



COMPANY:		TITLE:	
DRAWN: BE/BB		DATED: 3/03	
CHECKED:	SIZE:	CODE:	REV: 0
QUALITY CONTROL:	DATED:	21D5589	
RELEASED:	DATED:		
SCALE:		SHEET: 2 OF 3	

CD SWITCHING AMPLIFIER

REVISION RECORD		
LTR	ECO NO:	DATE:

