



CK Series power amplifiers

1. CKS100 Main board
2. CKS200 Main board
3. CKS400 Main board
4. CKS800 Main board
5. CKS800 Booster board
6. CKS800-2 Main board
7. CKS 800-2 H-class booster board
8. CKS1200-2 Preamp

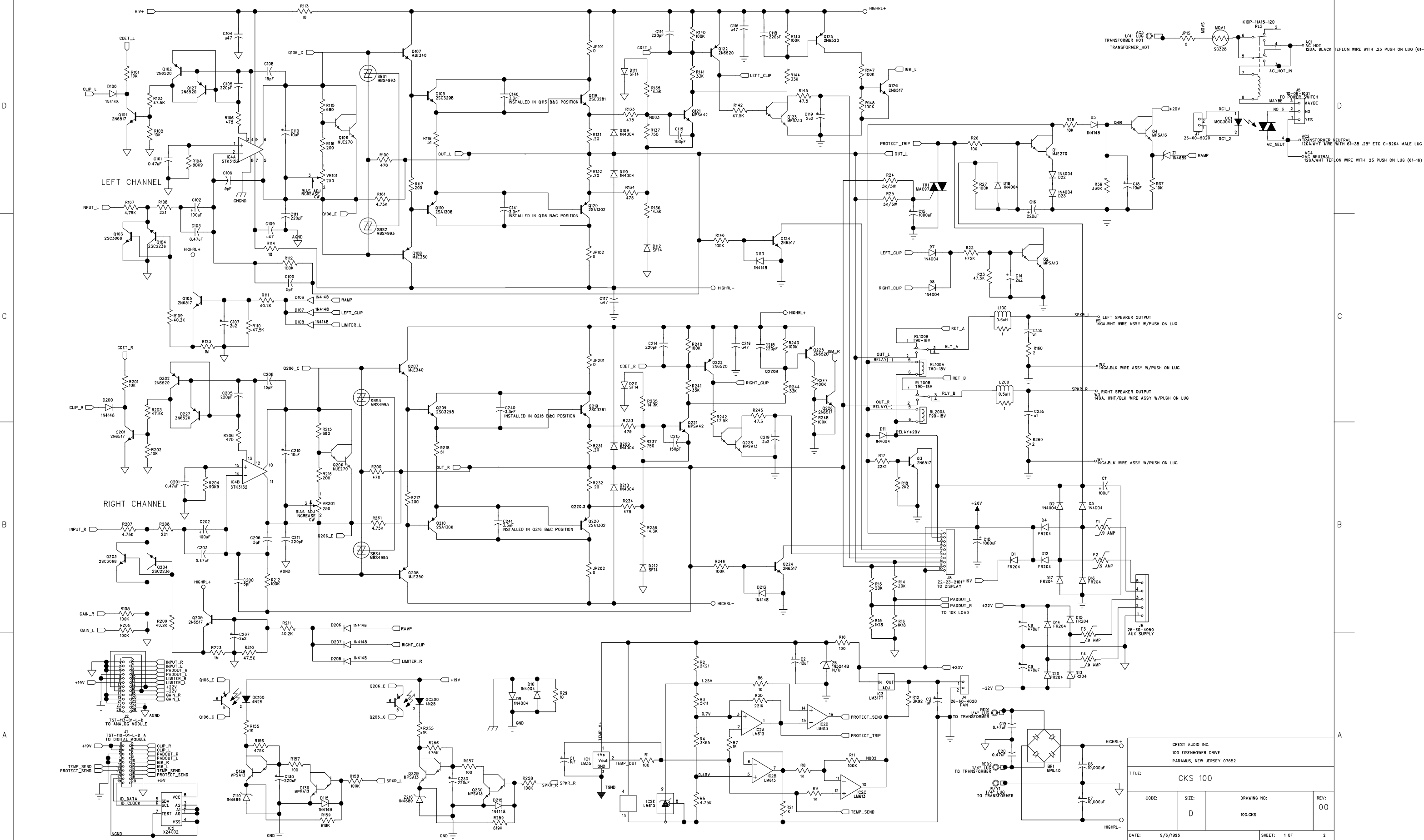
9. CKV100 Main board
10. CKV200 Main board
11. CKV400 Main board
12. CKV800 Main board
13. CKV800 Booster board

14. CKX150 Main board
15. CKX300 Main board
16. CKX500 Main board
17. CKX800 Main board
18. CKX Output transformer compensation EQ
19. CKX Output transformer wiring

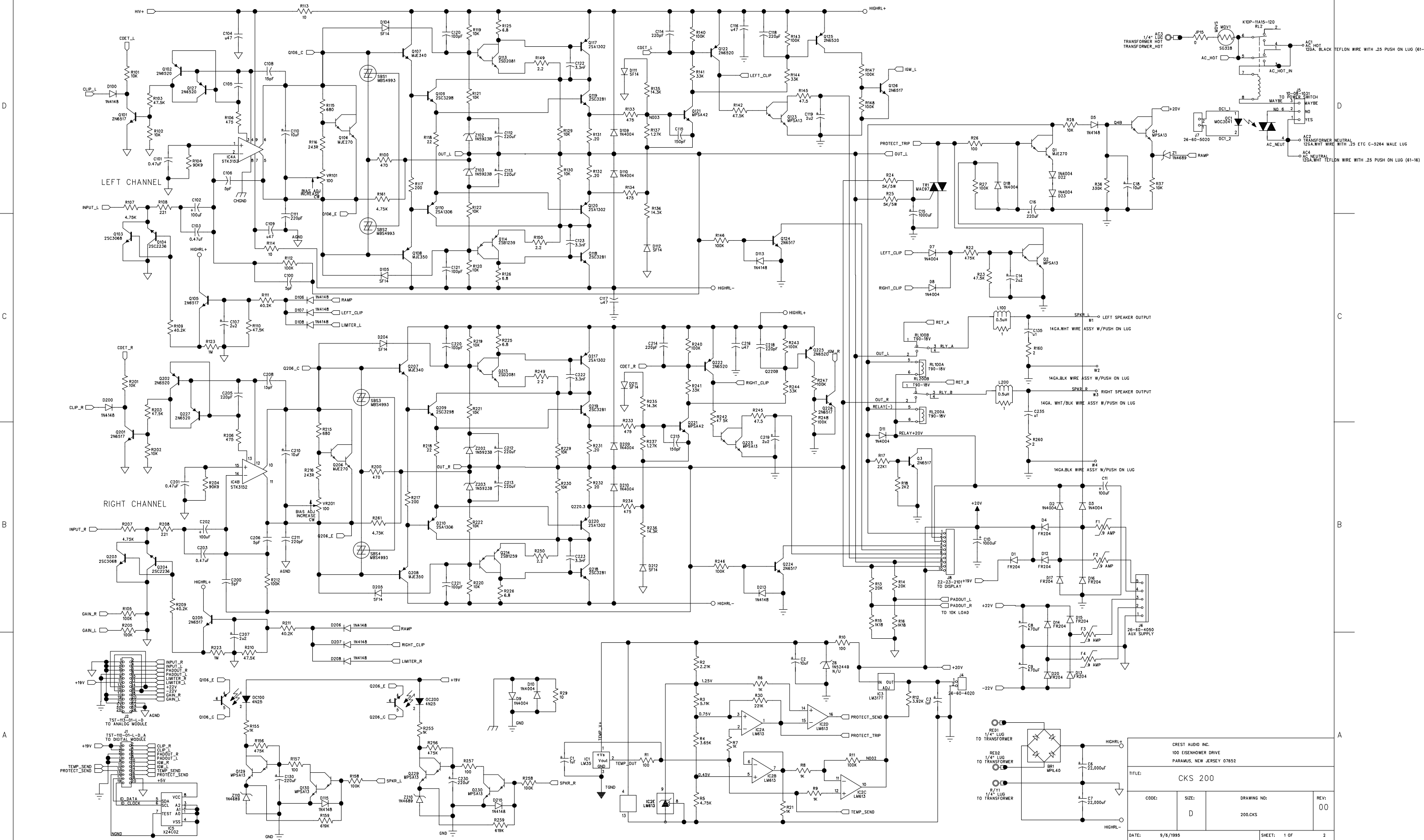
20. Preamp CKS1600-2,CKV1600, CKV2400 Schematic 1
21. Preamp CKS1600-2,CKV1600, CKV2400 Schematic 2
22. Preamp CKS1600-2,CKV1600, CKV2400 Schematic 3
23. Preamp CKS1600-2,CKV1600, CKV2400 Schematic 4

24. Output module CKS1200-2, CKS1600-2, CKV1600, CKV2400

25. Display board for CKS/CKV 100, 200, 400, 800, CKX 150, 300, 500, 800
26. Display board for CKS1200-2, CKS1600-2, CKV1600, CKV2400
27. Zobel board - All models
28. Power supply CKS1200-2, CKS1600-2, CKV1600, CKV2400
29. Fan driver CKS1200-2, CKS1600-2, CKV1600, CKV2400



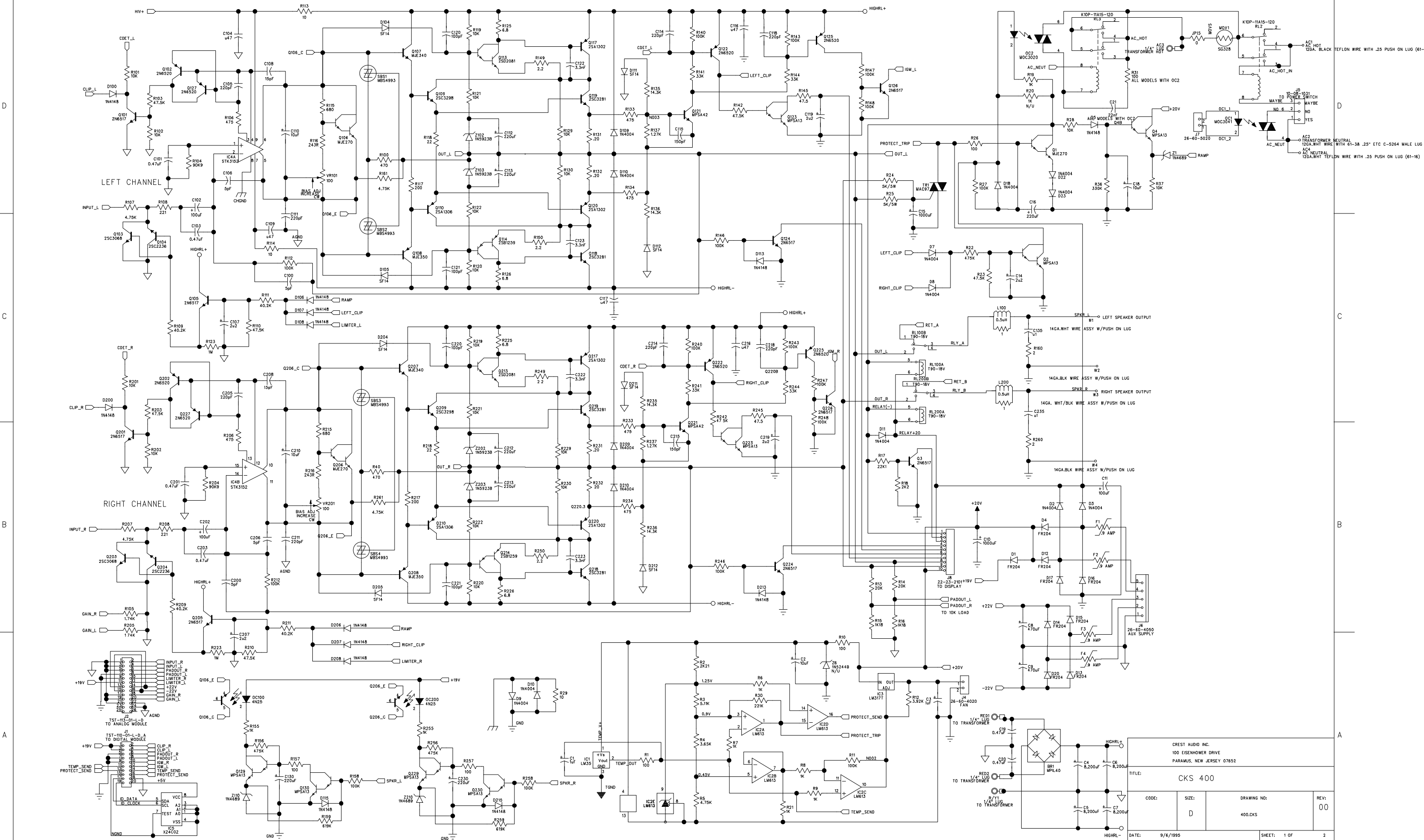
CREST AUDIO INC. 100 EISENHOWER DRIVE PARAMUS, NEW JERSEY 07652			
TITLE: CKS 100			
CODE: D	SIZE:	DRAWING NO: 100.CKS	REV: 00
DATE: 9/6/1995		SHEET: 1 OF 2	



CREST AUDIO INC.
100 EISENHOWER DRIVE
PARAMUS, NEW JERSEY 07652

TITLE: CKS 200

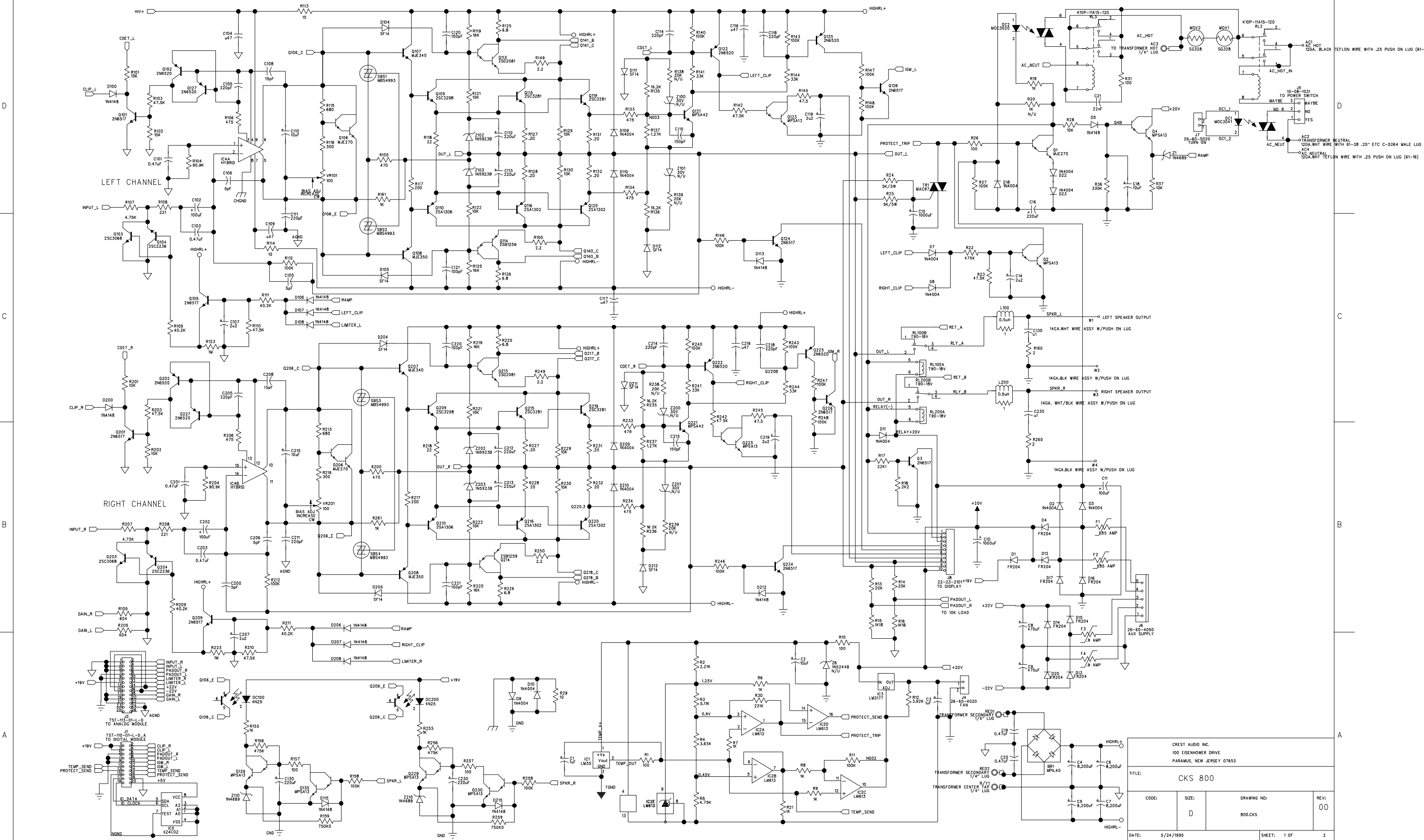
CODE: D	SIZE:	DRAWING NO: 200.CKS	REV: 00
DATE: 9/6/1995	SHEET: 1 OF 2		



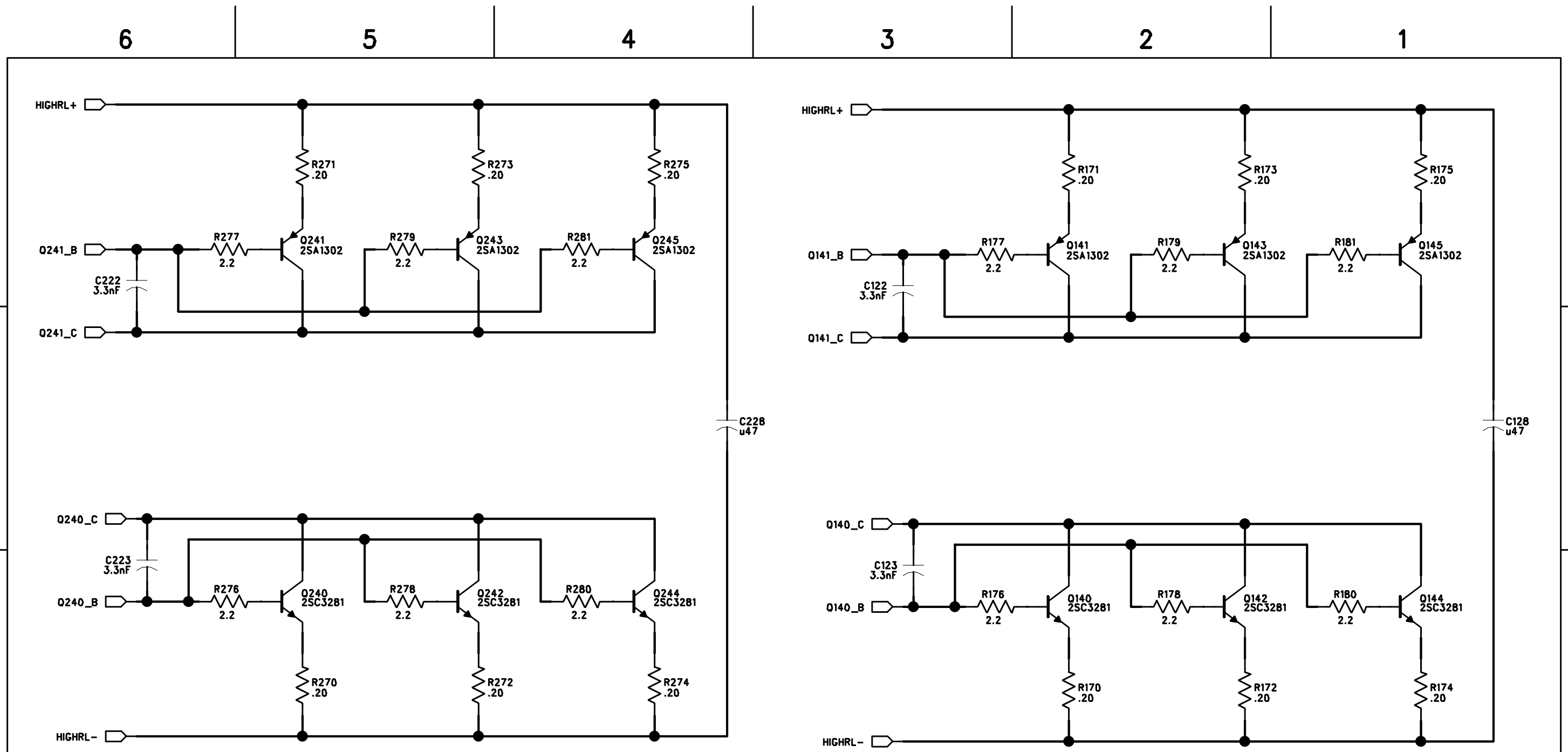
CREST AUDIO INC.
100 EISENHOWER DRIVE
PARAMUS, NEW JERSEY 07652

TITLE: CKS 400

CODE: D	SIZE: 400.DXS	DRAWING NO: 400.DXS	REV: 00
DATE: 9/6/1995	SHEET: 1 OF 2		



CREST AUDIO INC. 100 EISENHOWER DRIVE PARAMUS, NEW JERSEY 07652			
TITLE: CKS 800			
CODE: D	SIZE: 8.000	DRAWING NO: 800.CKS	REV: 00
DATE: 5/24/1995		SHEET: 1 OF 2	



COMPANY:			
TITLE: CKS800/THX800 BOOSTER BOARD			
CODE:	SIZE:	DRAWING NO: BOOST_AB.CKS	REV:
SCALE:		SHEET: OF	

DRAWN:	DATED:
CHECKED:	DATED:
QUALITY CONTROL:	DATED:
RELEASED:	DATED:

D

D

C

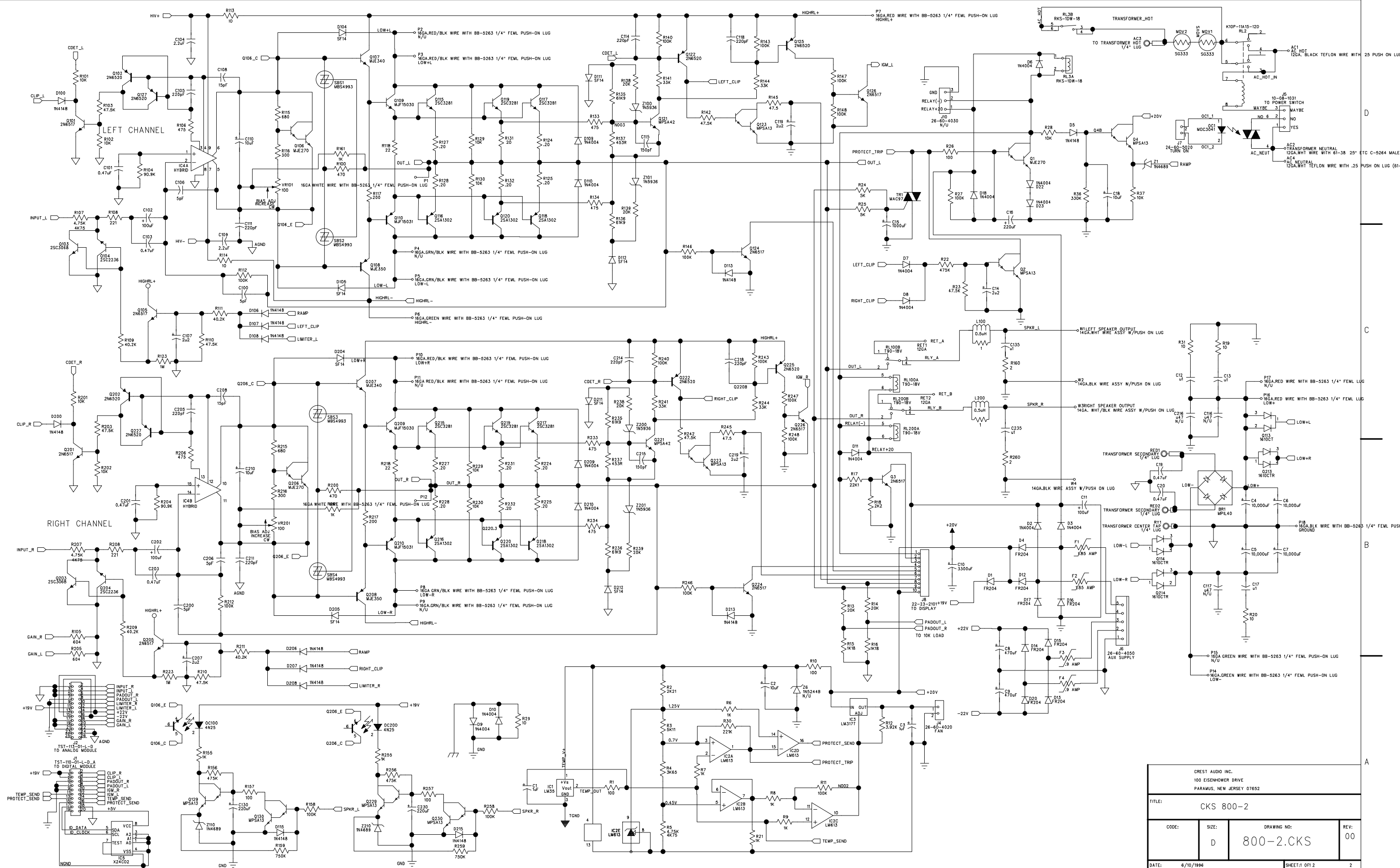
C

B

B

A

A



CREST AUDIO INC. 100 EISENHOWER DRIVE PARAMUS, NEW JERSEY 07652			
TITLE: CKS 800-2			
CODE: D	SIZE:	DRAWING NO: 800-2.CKS	REV: 00
DATE: 6/10/1996	SHEET: 1 OF 2		2

6

5

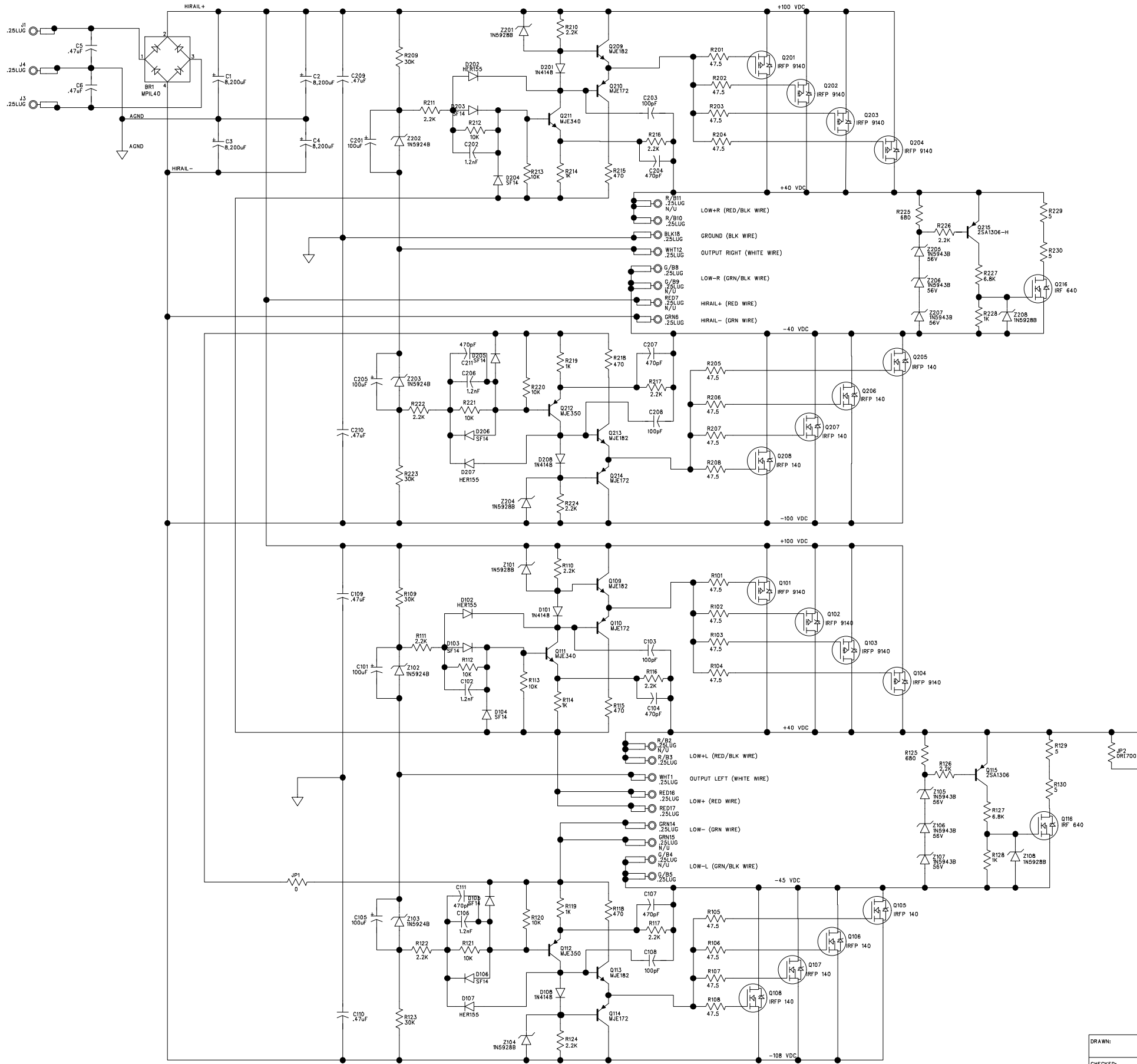
4

3

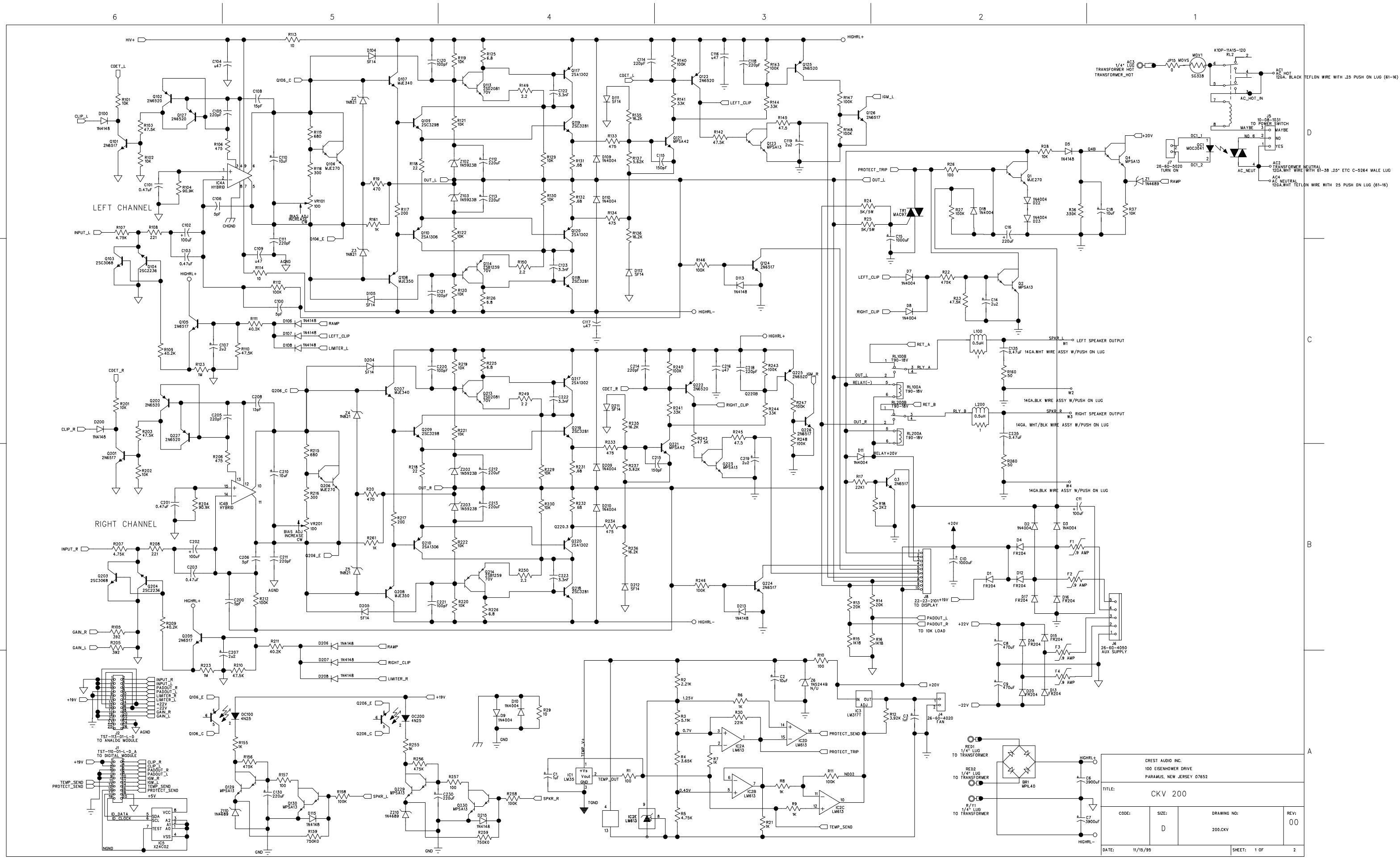
2

1

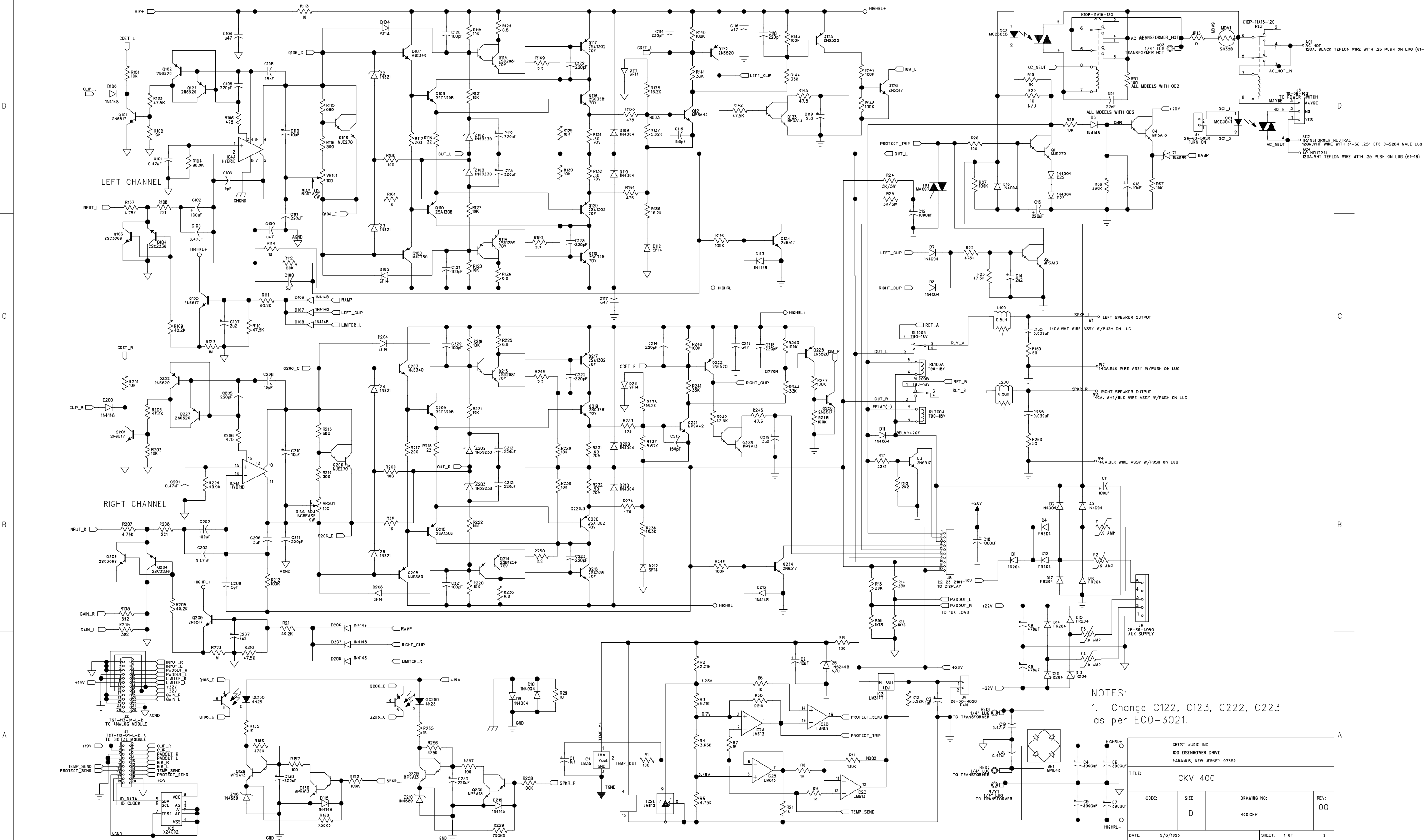
REVISION RECORD			
LTR	ECCO NO:	APPROVED:	DATE:



COMPANY:			
TITLE:			
CKS800-2 HIGH RAIL			
DRAWN:	DATED:	CODE:	SIZE:
CHECKED:	DATED:	DRAWING NO: 800-2H.CKS	
QUALITY CONTROL:	DATED:	REV: 01	
RELEASED:	DATED:	SCALE:	SHEET: 1 of



CREST AUDIO INC. 100 EISENHOWER DRIVE PARAMUS, NEW JERSEY 07652			
TITLE: CKV 200			
CODE: D	SIZE: 200.CKV	DRAWING NO: 200.CKV	REV: 00
DATE: 11/15/95	SHEET: 1 OF 2		2

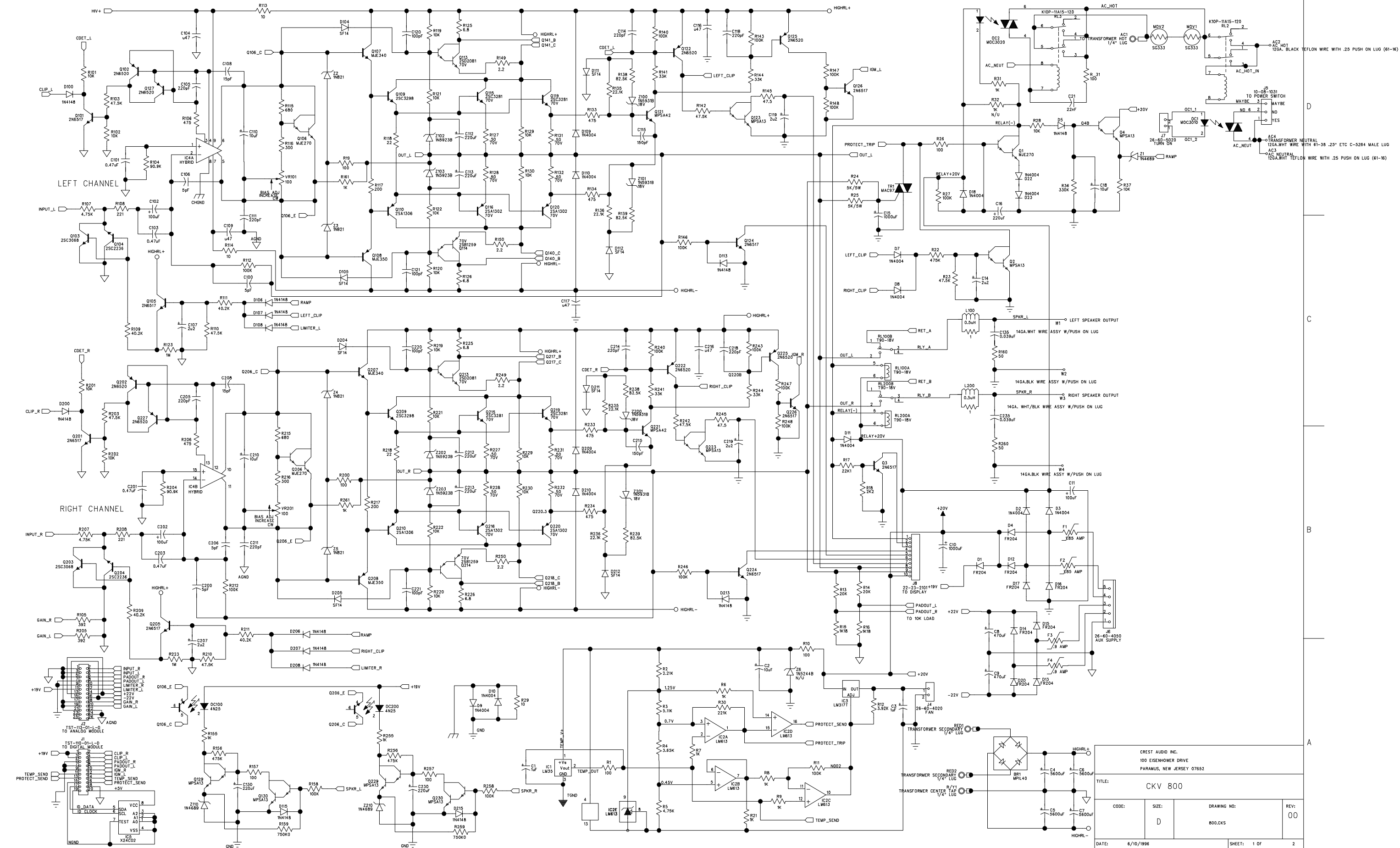


NOTES:
 1. Change C122, C123, C222, C223
 as per ECO-3021.

CREST AUDIO INC. 100 EISENHOWER DRIVE PARAMUS, NEW JERSEY 07652			
TITLE: CKV 400			
CODE: D	SIZE:	DRAWING NO: 400.DKV	REV: 00
DATE: 9/6/1995	SHEET: 1 OF		2

D
C
B
A

D
C
B
A



CREST AUDIO INC. 100 EISENHOWER DRIVE PARAMUS, NEW JERSEY 07652			
TITLE: CKV 800			
CODE:	SIZE:	DRAWING NO:	REV:
	D	800.CKS	00
DATE: 6/10/1996		SHEET: 1 OF 2	

D

C

B

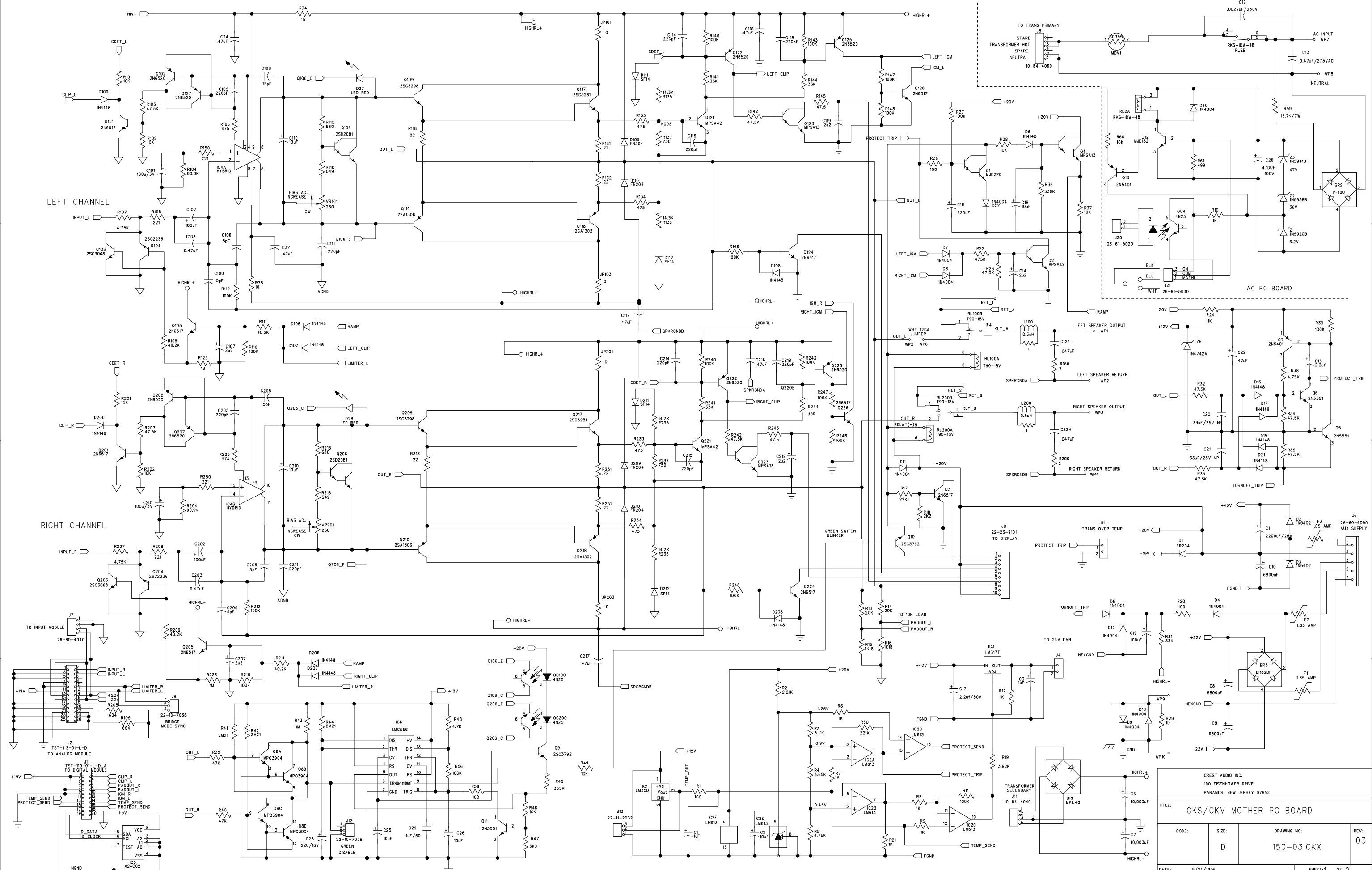
A

D

C

B

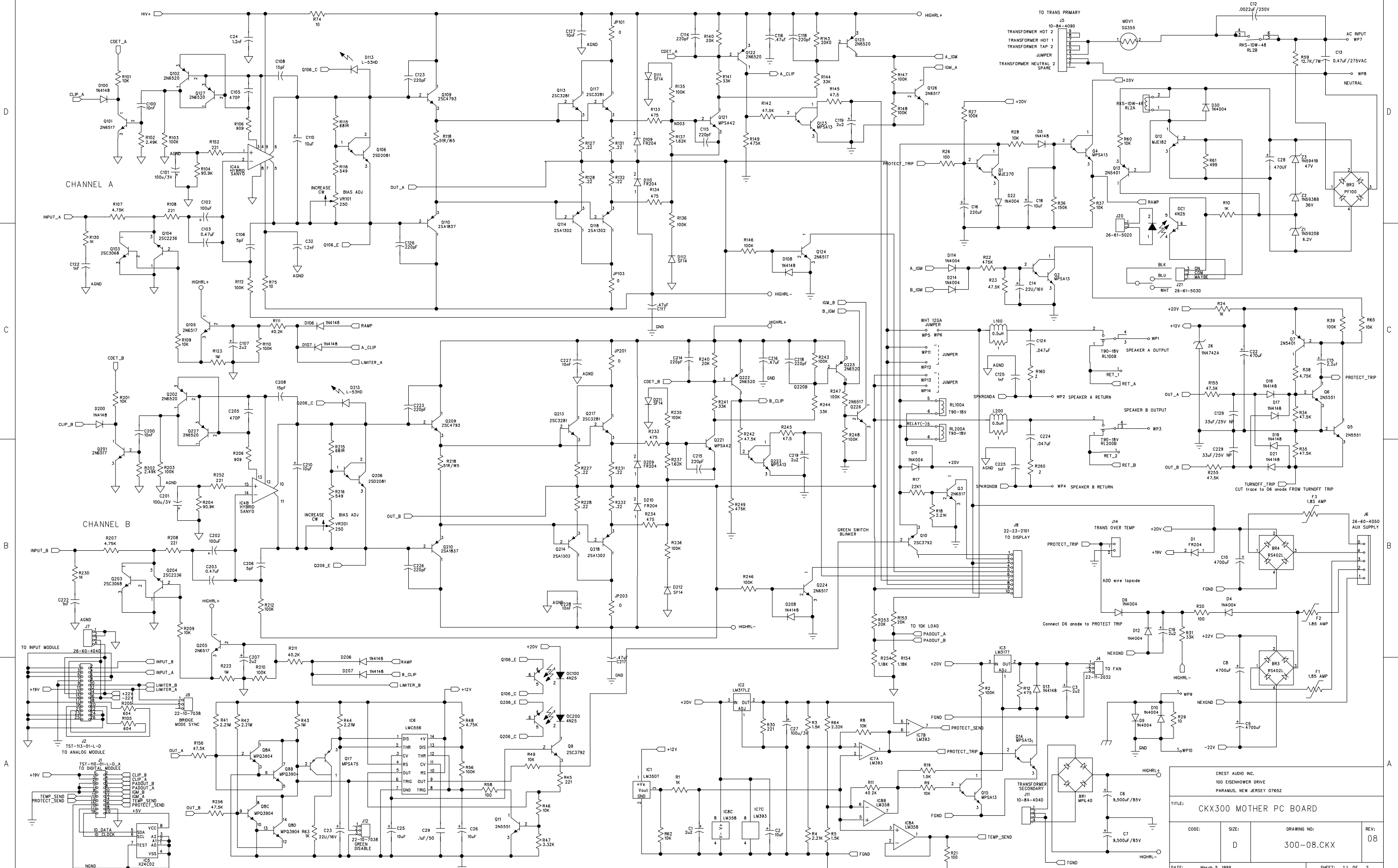
A



CREST AUDIO INC.
100 EISENHOWER DRIVE
PARAMUS, NEW JERSEY 07652

TITLE: CKS/CKV MOTHER PC BOARD

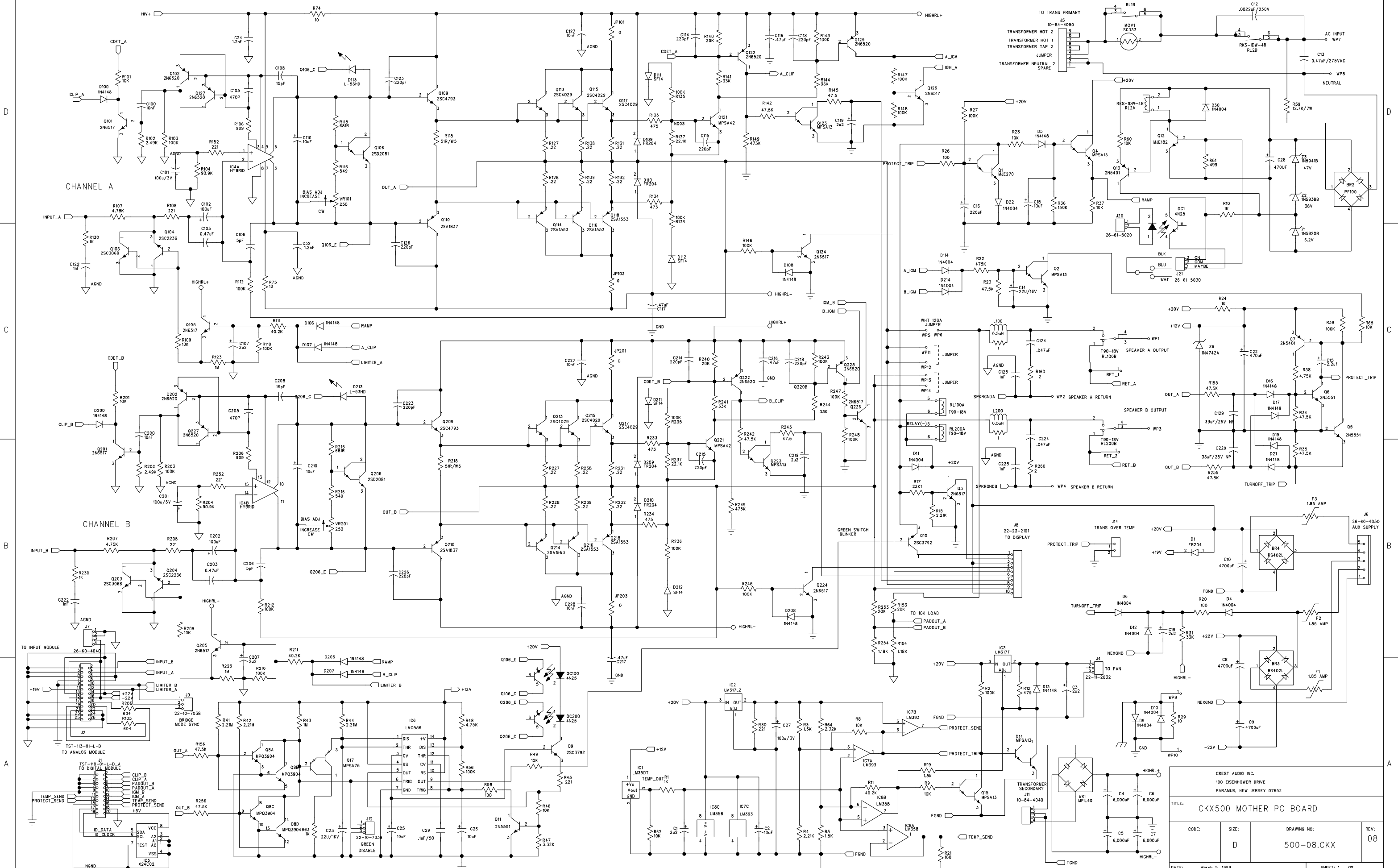
CODE: D	SIZE:	DRAWING NO: 150-03.CKX	REV: 03
DATE: 5/24/1995	SHEET: 1 of 2		



CREST AUDIO INC.
100 EISENHOWER DRIVE
PARAMUS, NEW JERSEY 07652

TITLE: CKX300 MOTHER PC BOARD

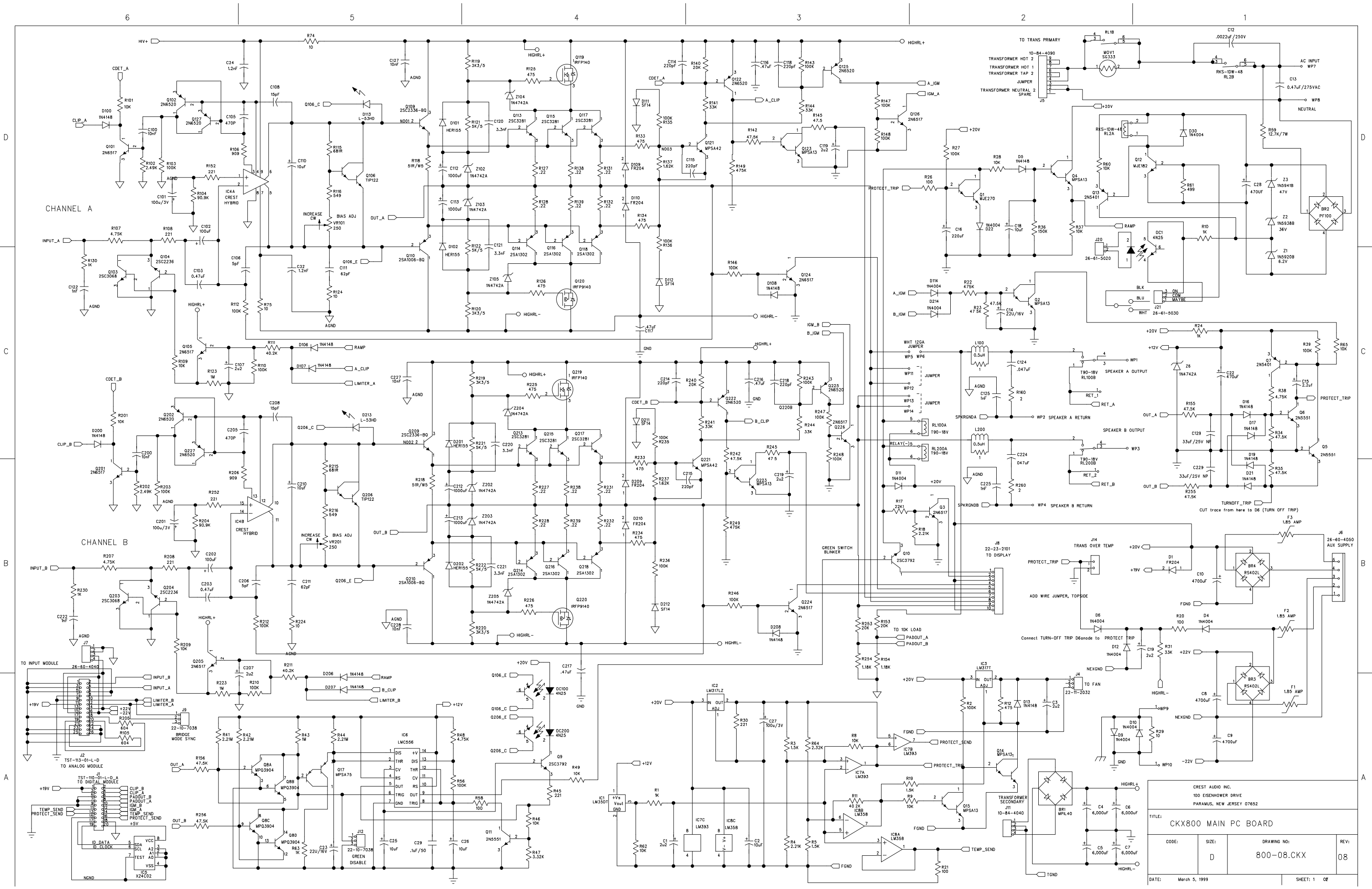
CODE: D	SIZE:	DRAWING NO: 300-08.CKX	REV: 08
DATE: March 5, 1999			SHEET: 11 OF 2



CREST AUDIO INC.
100 EISENHOWER DRIVE
PARAMUS, NEW JERSEY 07652

TITLE: CKX500 MOTHER PC BOARD

CODE: D	SIZE:	DRAWING NO: 500-08.CKX	REV: 08
DATE: March 5, 1999		SHEET: 1 OF	



CREST AUDIO INC.
 100 EISENHOWER DRIVE
 PARAMUS, NEW JERSEY 07652

TITLE: CKX800 MAIN PC BOARD

CODE: D	SIZE:	DRAWING NO: 800-08.CKX	REV: 08
DATE: March 5, 1999			SHEET: 1 OF

6

5

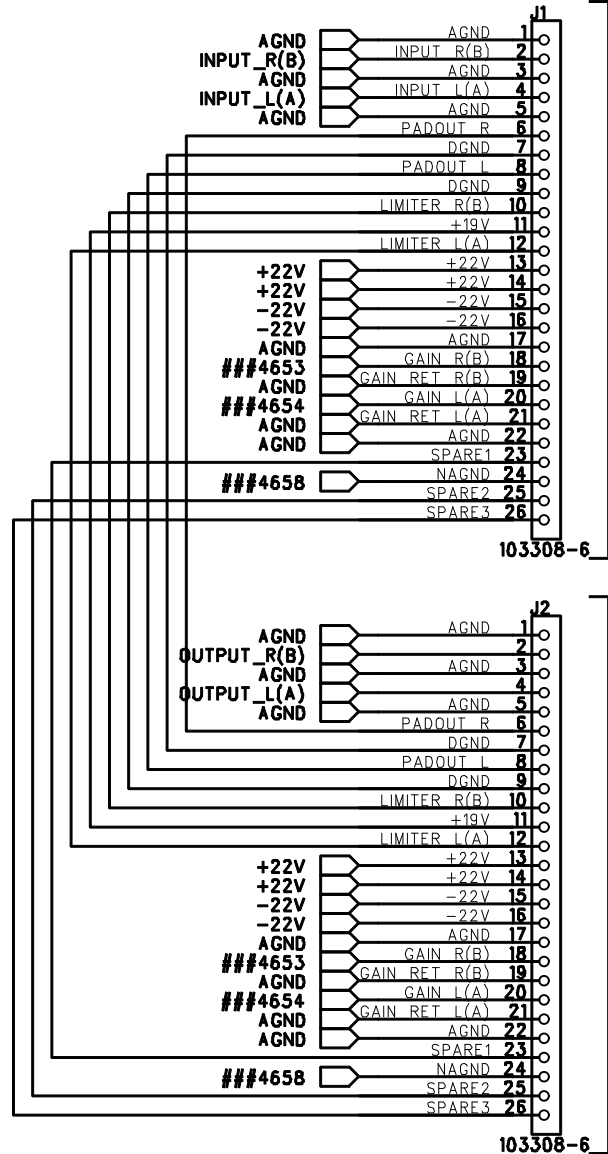
4

3

2

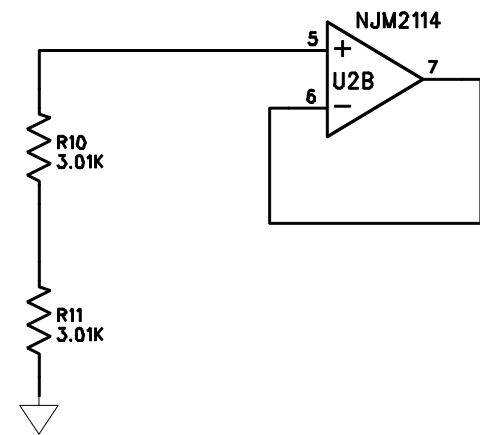
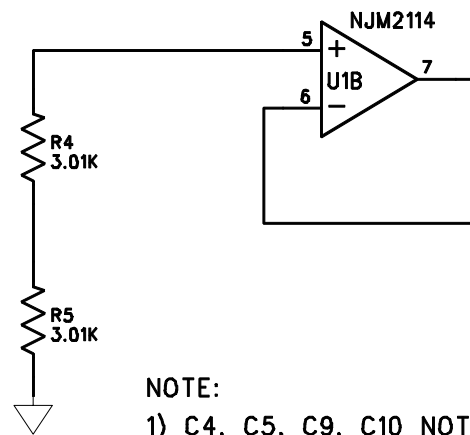
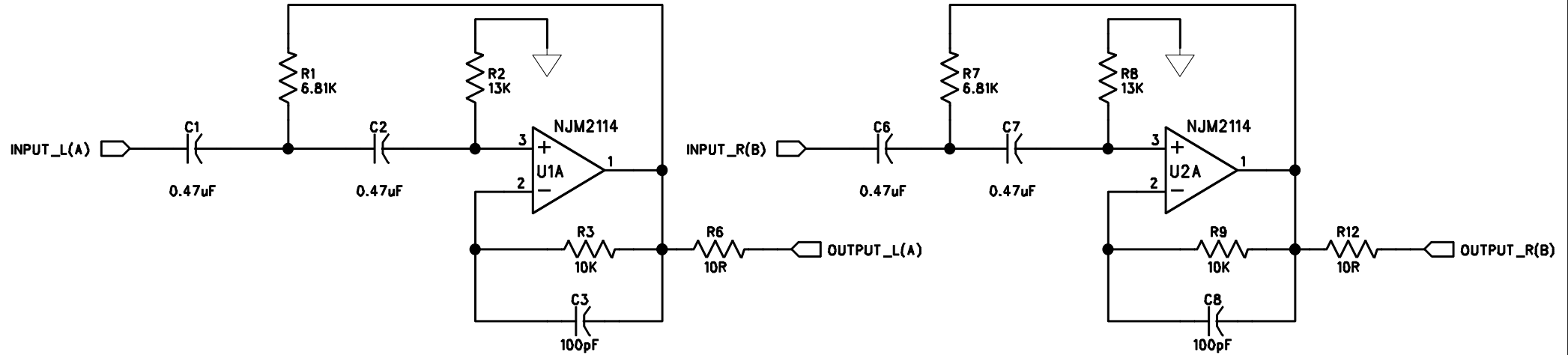
1

REVISION RECORD			
LTR	ECO NO:	APPROVED:	DATE:

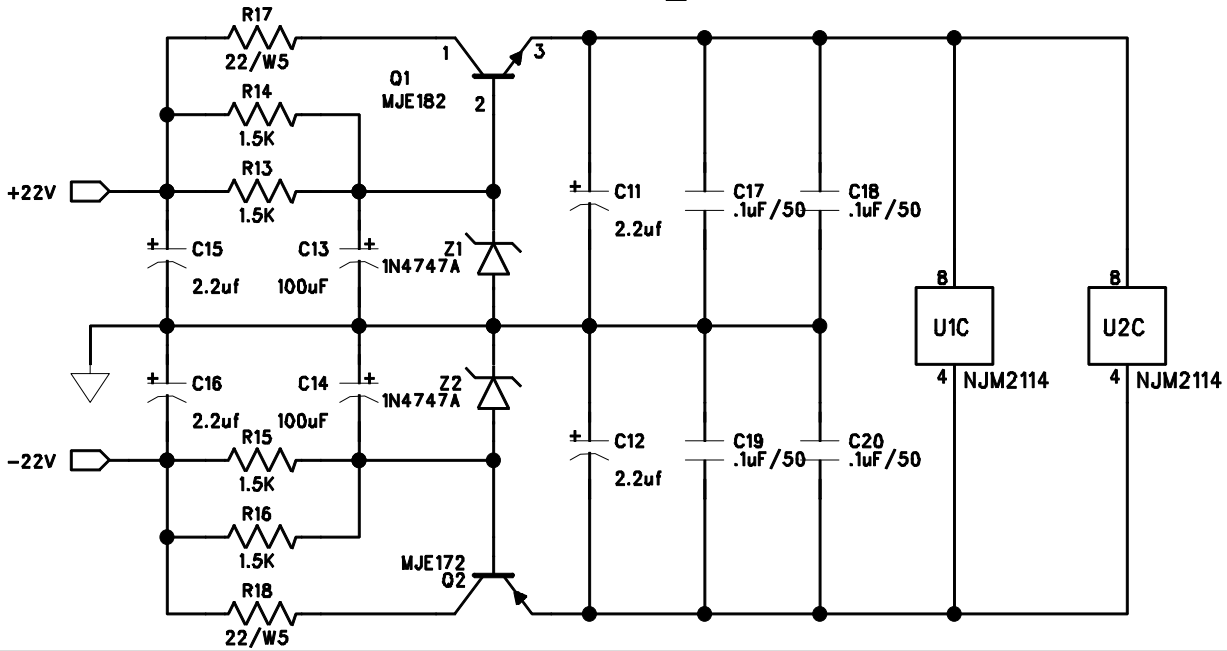
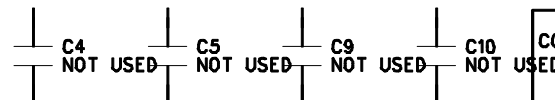


From Input Module

To Amplifier



NOTE:
1) C4, C5, C9, C10 NOT USED



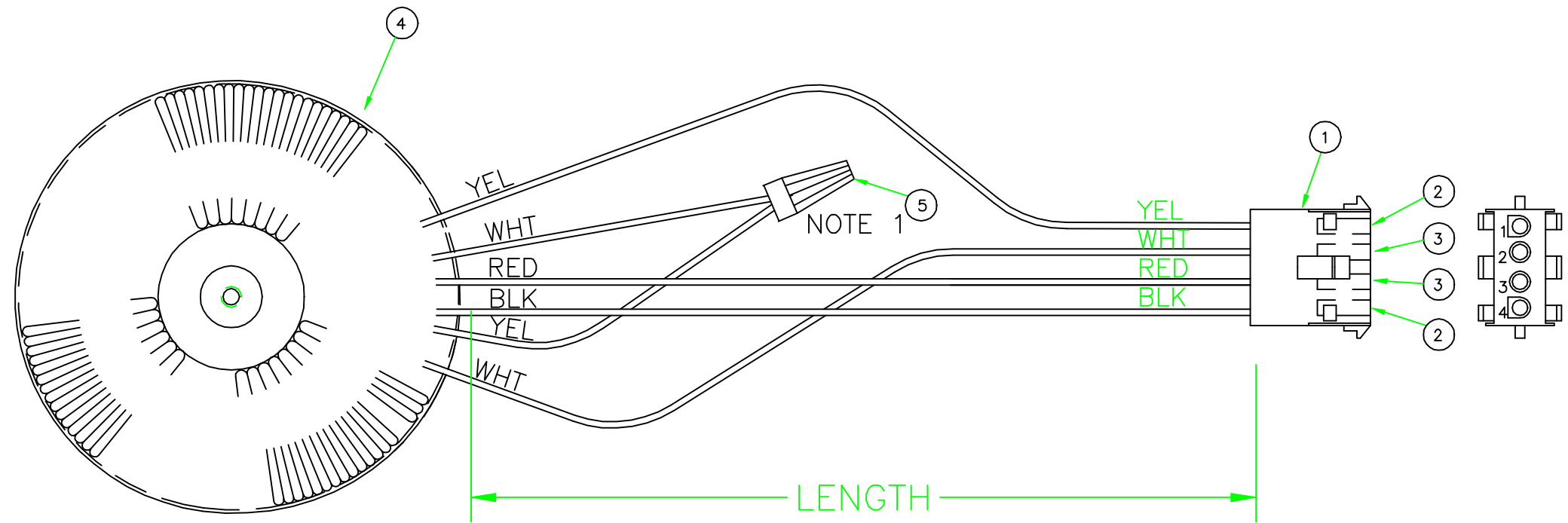
COMPANY:
CREST AUDIO INC, 100 EISENHOWER DR. PARAMUS NJ 07652

TITLE:
CKX SERIES TRANSFORMER OUTPUT EQUALIZER

DRAWN: I. FERSTENBERG	DATED: 2/24/98
CHECKED: C. Mahoney	DATED: 2/24/98
QUALITY CONTROL:	DATED:
RELEASED:	DATED:

CODE:	SIZE: B	DRAWING NO: CKXE000.SCH 21B3301-A	REV: A
SCALE: 1:1		SHEET: 1 OF 1	

ITEM	QUAN	DESCRIPTION	MANUFACTURER	MFG PART No.	CREST PART No.	REV.	ECO	DESCRIPTION	APP.	DATE
1	1	CONN. 4 PIN CAP HOUSING	MOLEX	50-84-2041	24000295	01		LENGTH WAS 7"	RJ	20 FEB 98
2	2	MALE PIN 14-20 GA.	MOLEX	02-08-2005	24000521					
3	2	FEMALE PIN 14-20 GA.	MOLEX	02-08-1003	24000219					
4	1	CKX OUTPUT TRANSFORMER			93-xxx					
5	1	CRIMP CAP	AMP	36965	25000001					



NOTES:
1. CONNECT SECONDARY 1 FINISH TO SECONDARY 2 START.

WIRE	DESCRIPTION	COLOR	LENGTH	STRIP LENGTH	TO
1	SECONDARY 1 START	WHT	7 1/2"		J1-1
2	SECONDARY 1 FINISH	YEL			NOTE 1
3	PRIMARY START	BLK	7 1/2"		J1-2
4	PRIMARY FINISH	RED	7 1/2"		J1-3
5	SECONDARY 2 START	WHT			NOTE 1
6	SECONDARY 2 FINISH	YEL	7 1/2"		J1-4

 PARAMUS, NJ 07652	ORIG'LY DWN.: R.J.	DATE: 30JUL97	TITLE/APPLICATION		
	SCALE: NTS	DO NOT SCALE DRAWING	CKX150 OUTPUT TRANSFORMER PLUG WIRING		
	TOL.: .XX: +/- .02 .XXX: +/- .01 FRACT: +/- 1/64 <: +/- 1*		DWG.# 22B3478	REV.: 01	CREST P/N
	MAT'L: AS NOTED				
FINISH: -		CURRENT REVISION DRAWN BY:		DATE:	
		APPROVED BY:		DATE:	

6

5

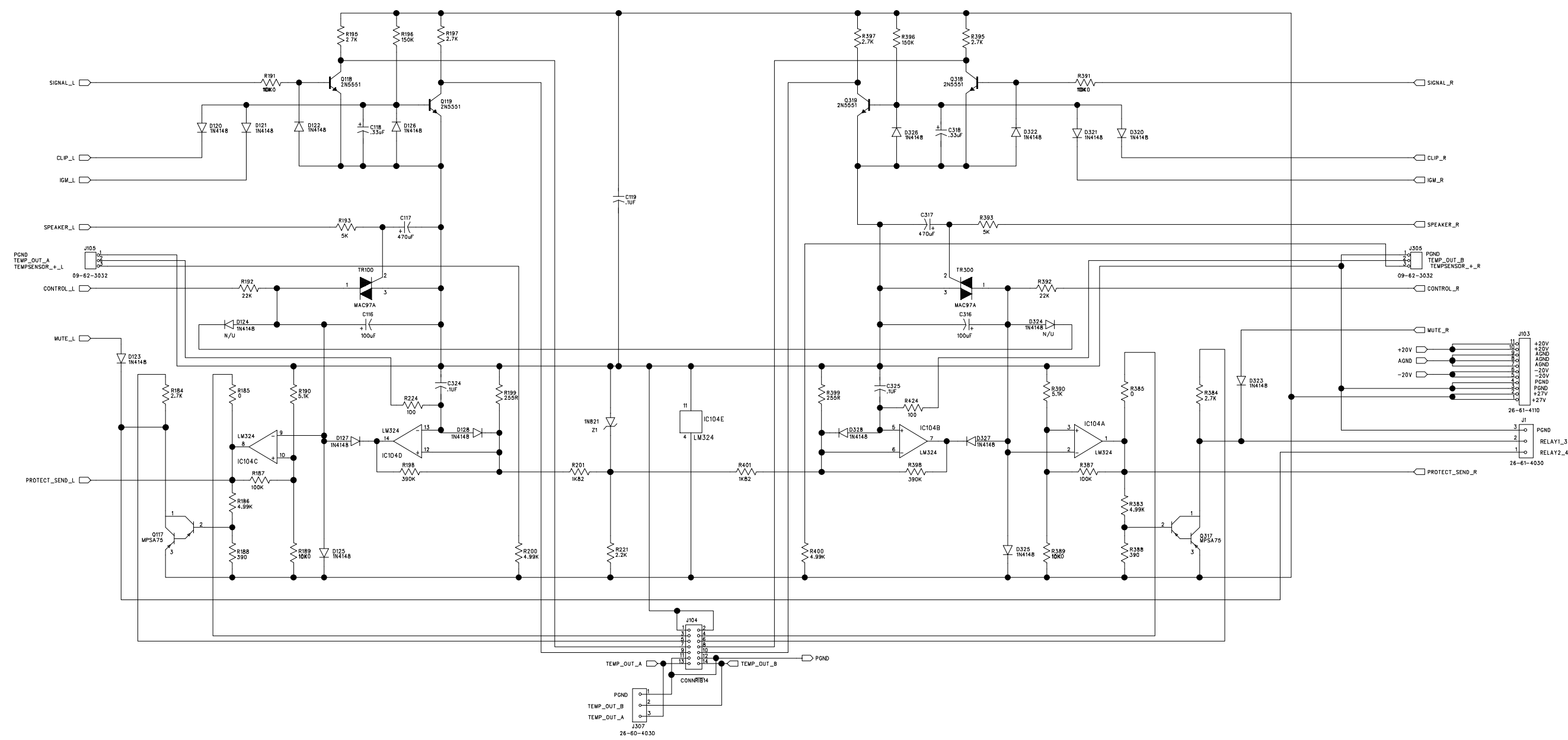
4

3

2

1

REVISION RECORD			
LTR	ECO NO.	APPROVED:	DATE:



TITLE:
HI-POWER CKS/CKV PREAMP (DISPLAY SECTION)
(CHANNEL A & B)

DRAWN: LAP	DATED: 8/95
CHECKED:	DATED:
QUALITY CONTROL:	DATED:
RELEASED:	DATED:

CODE:	SIZE: D	DRAWING NO: 21D2508	REV 04
SCALE:		SHEET: 2 OF 5	

REVISION RECORD			
LTR	ECO NO:	APPROVED:	DATE:

D

D

C

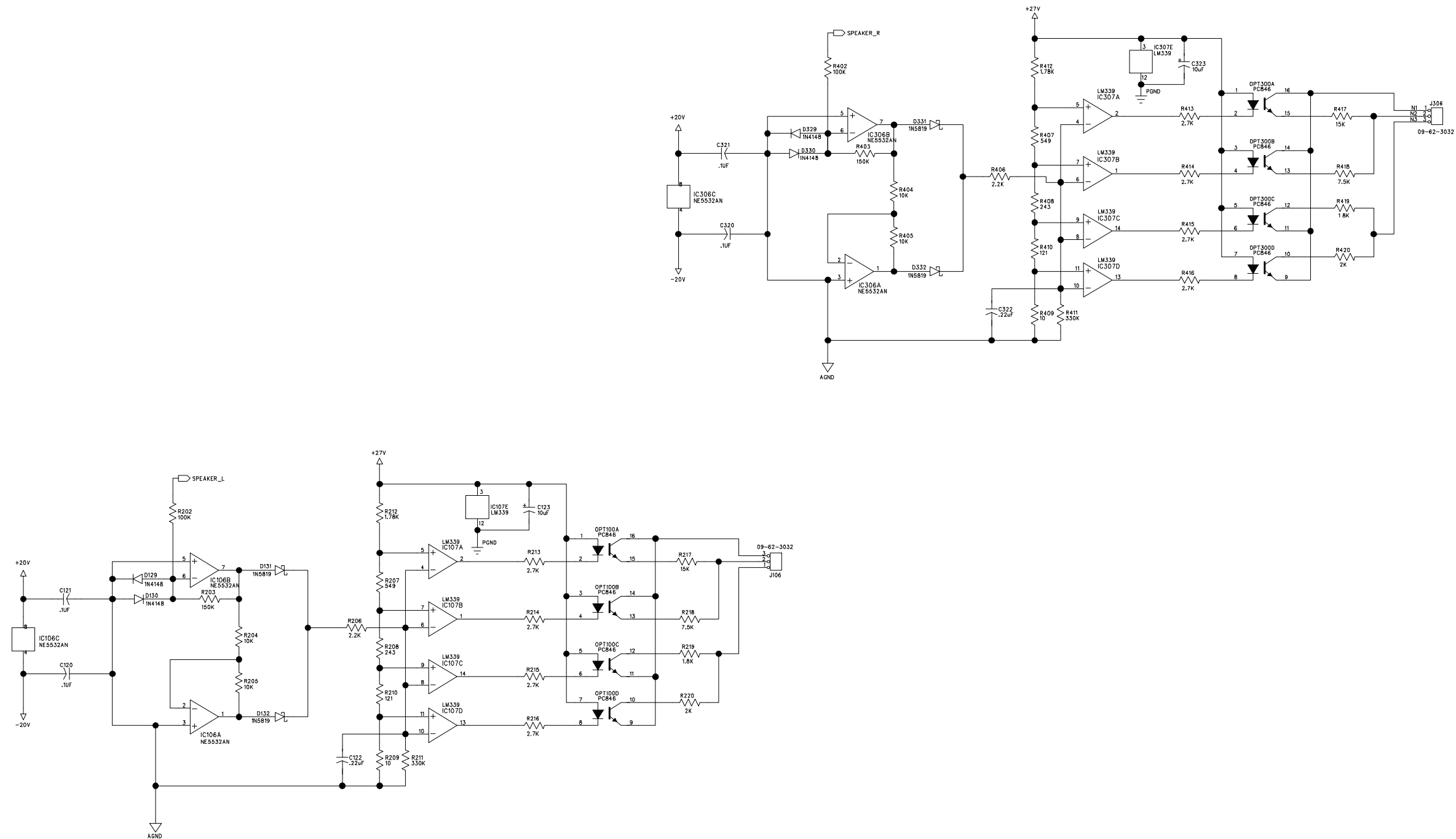
C

B

B

A

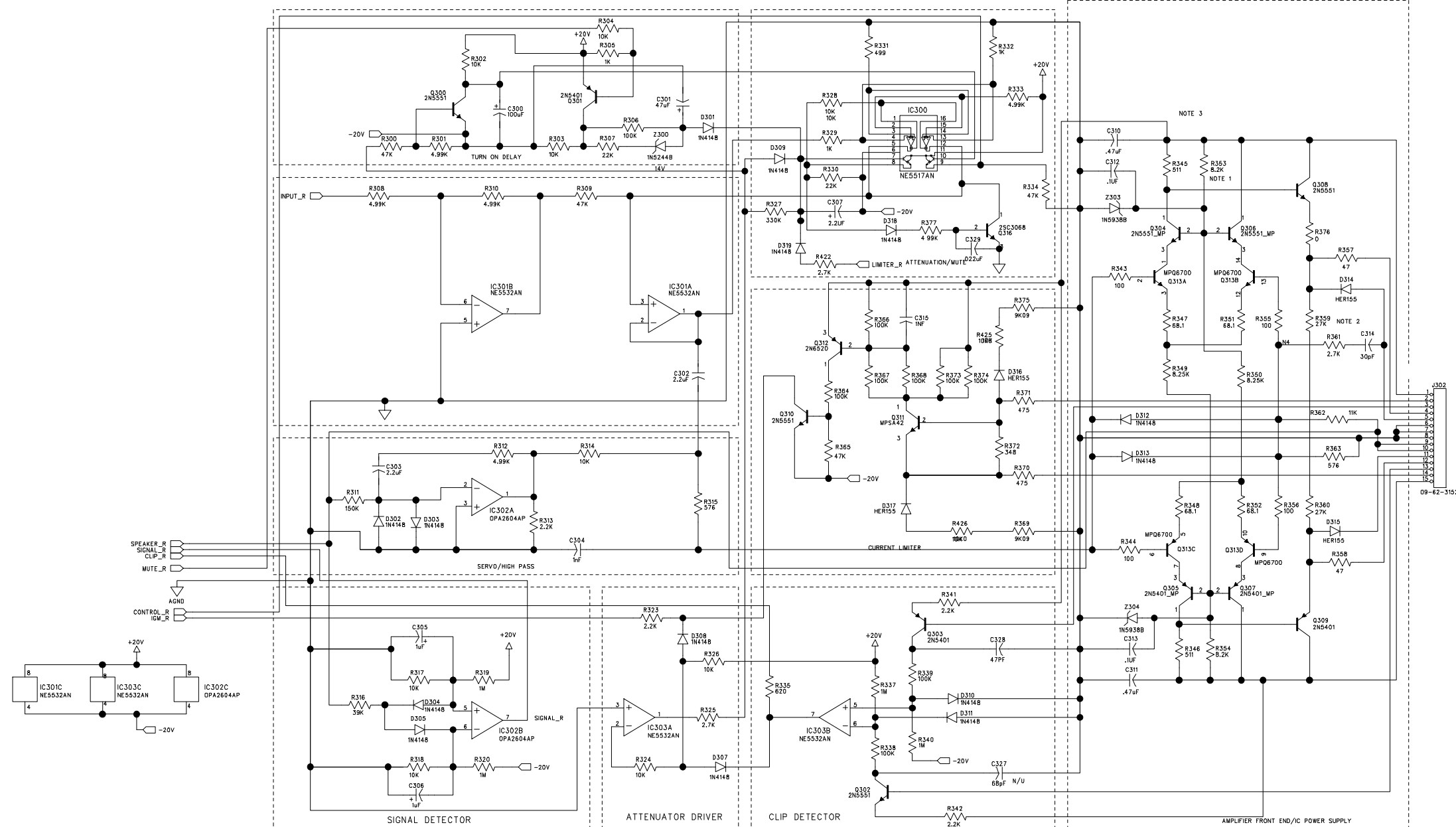
A



TITLE:			
HI-POWER CKS/CKV PREAMP (SLIDE "I" SECTION)			
(CHANNEL A & B)			
CODE:	SIZE: D	DRAWING NO:	REV
		21D2508	04
SCALE:		SHEET: 3 OF 5	

DRAWN: LAP	DATED: 8/95
CHECKED:	DATED:
QUALITY CONTROL:	DATED:
RELEASED:	DATED:

REVISION RECORD			
LTR	ECO NO:	APPROVED:	DATE:



TITLE: HI-POWER CKS/CKV PREAMP (FRONTEND SECTION) (CHANNEL B)			
DRAWN: LAP	DATED: 8/95	CODE:	SIZE: D
CHECKED:	DATED:	DRAWING NO: 21D2508	
QUALITY CONTROL:	DATED:	REV 04	
RELEASED:	DATED:	SCALE:	SHEET: 4 OF 5

6

5

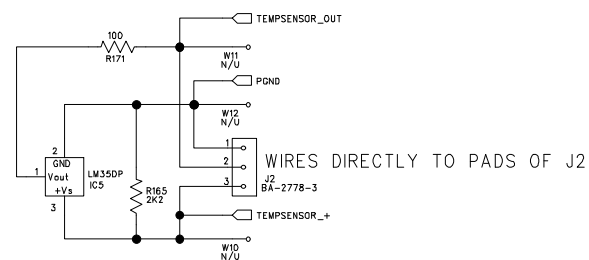
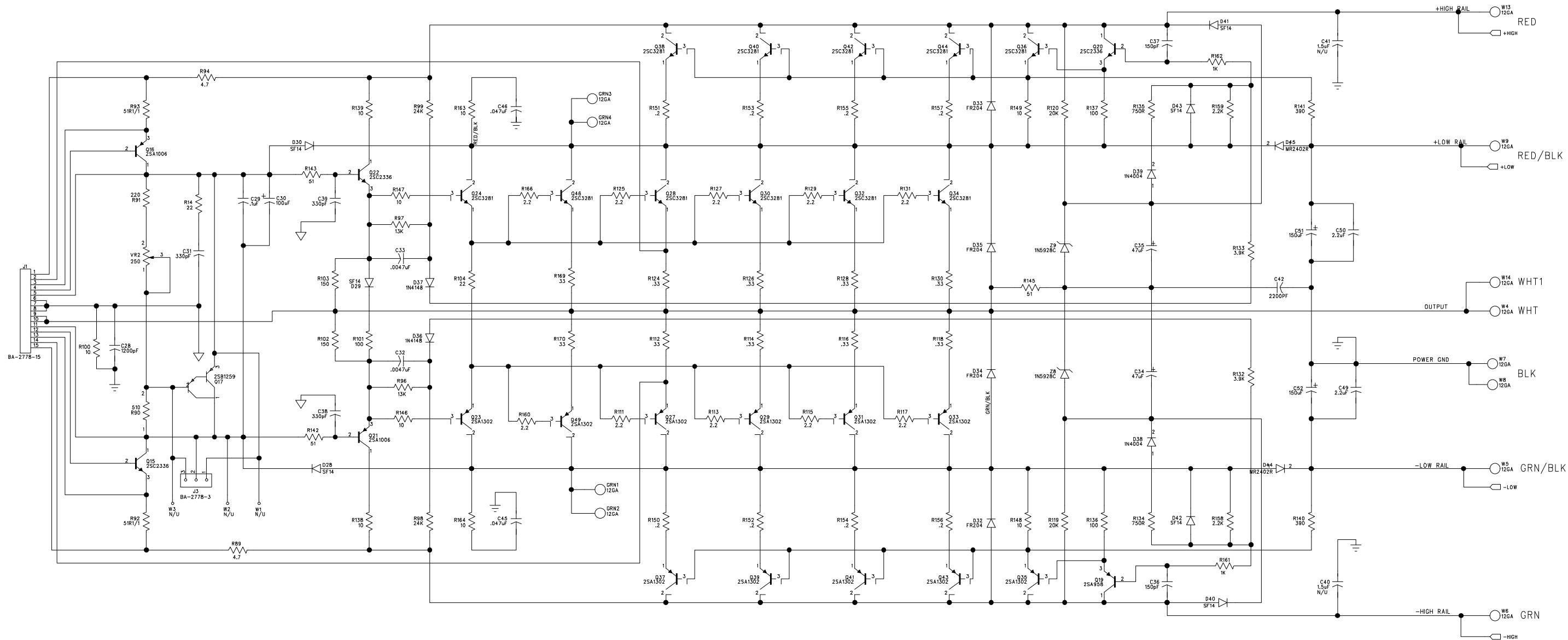
4

3

2

1

REVISION RECORD			
LTR	ECO NO:	APPROVED:	DATE:



WIRES DIRECTLY TO PADS OF J2



TITLE: HI PWR CKS/CKV OUTPUT MODULE
4 SPACE AMPLIFIER

DRAWN:	DATED:	CODE:	SIZE:	DRAWING NO:	REV:
CHECKED:	DATED:	D		2513-03	3
QUALITY CONTROL:	DATED:				
RELEASED:	DATED:				

SCALE: SHEET: 1 OF 2

6

5

4

3

2

1

REVISION RECORD			
LTR	ECO NO:	APPROVED:	DATE:

D

D

C

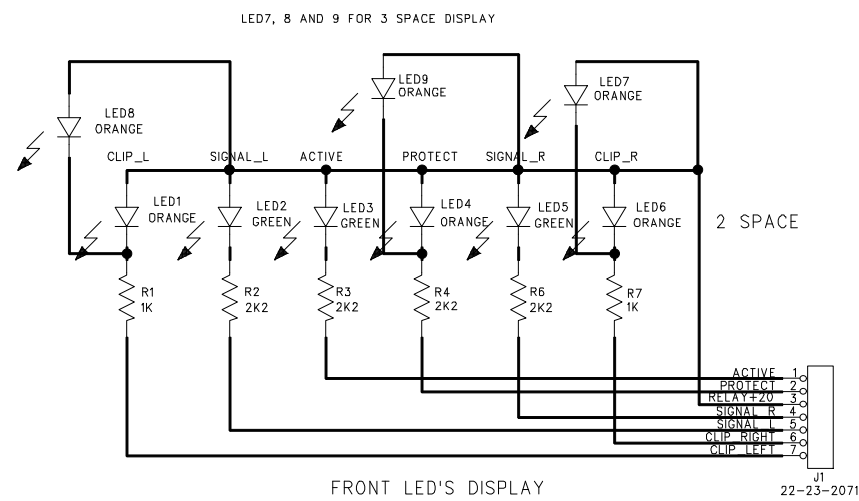
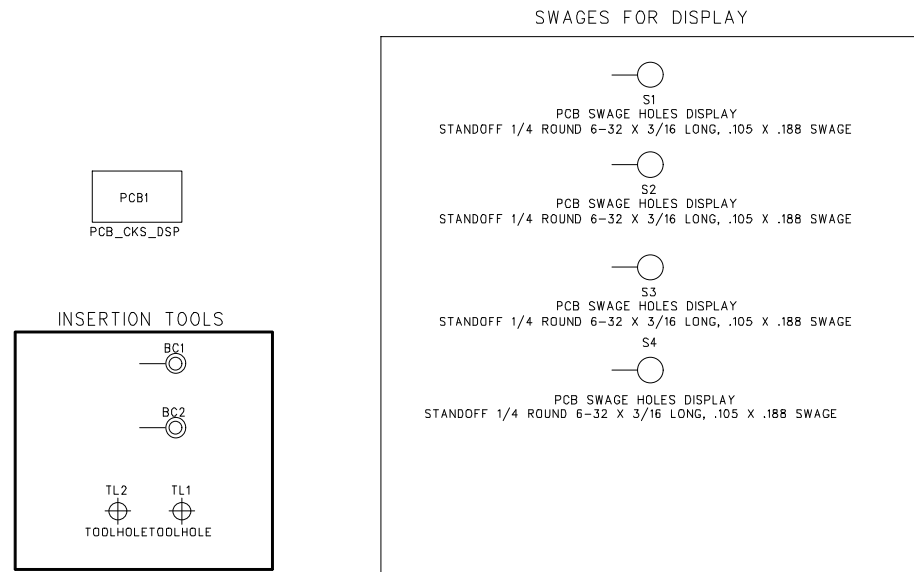
C

B

B

A

A



CREST AUDIO

TITLE: CKS/CKX/CKV DISPLAY PC BOARD

DRAWN:	DATED:	CODE:	SIZE: C	DRAWING NO: 21C3946-A	REV: 00
CHECKED:	DATED:	SCALE:		SHEET: 1 of 1	
QUALITY CONTROL:	DATED:				
RELEASED:	DATED:				

DRAWN:	DATED:
CHECKED:	DATED:
QUALITY CONTROL:	DATED:
RELEASED:	DATED:

6

5

4

3

2

1

D

D

C

C

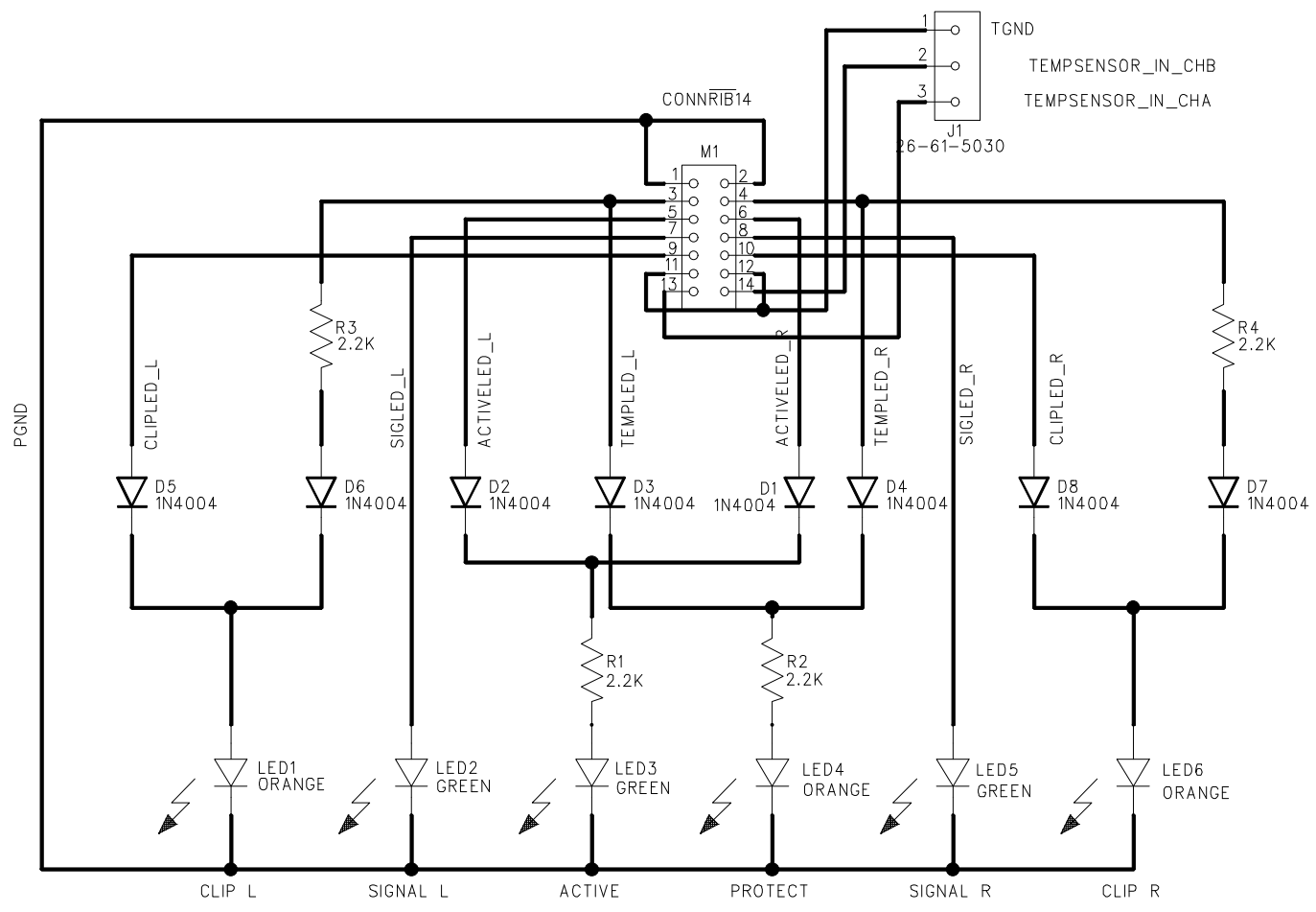
B

B

A

A

REVISION RECORD			
LTR	ECO NO:	APPROVED:	DATE:



PCB1
69000309
26C2604-00

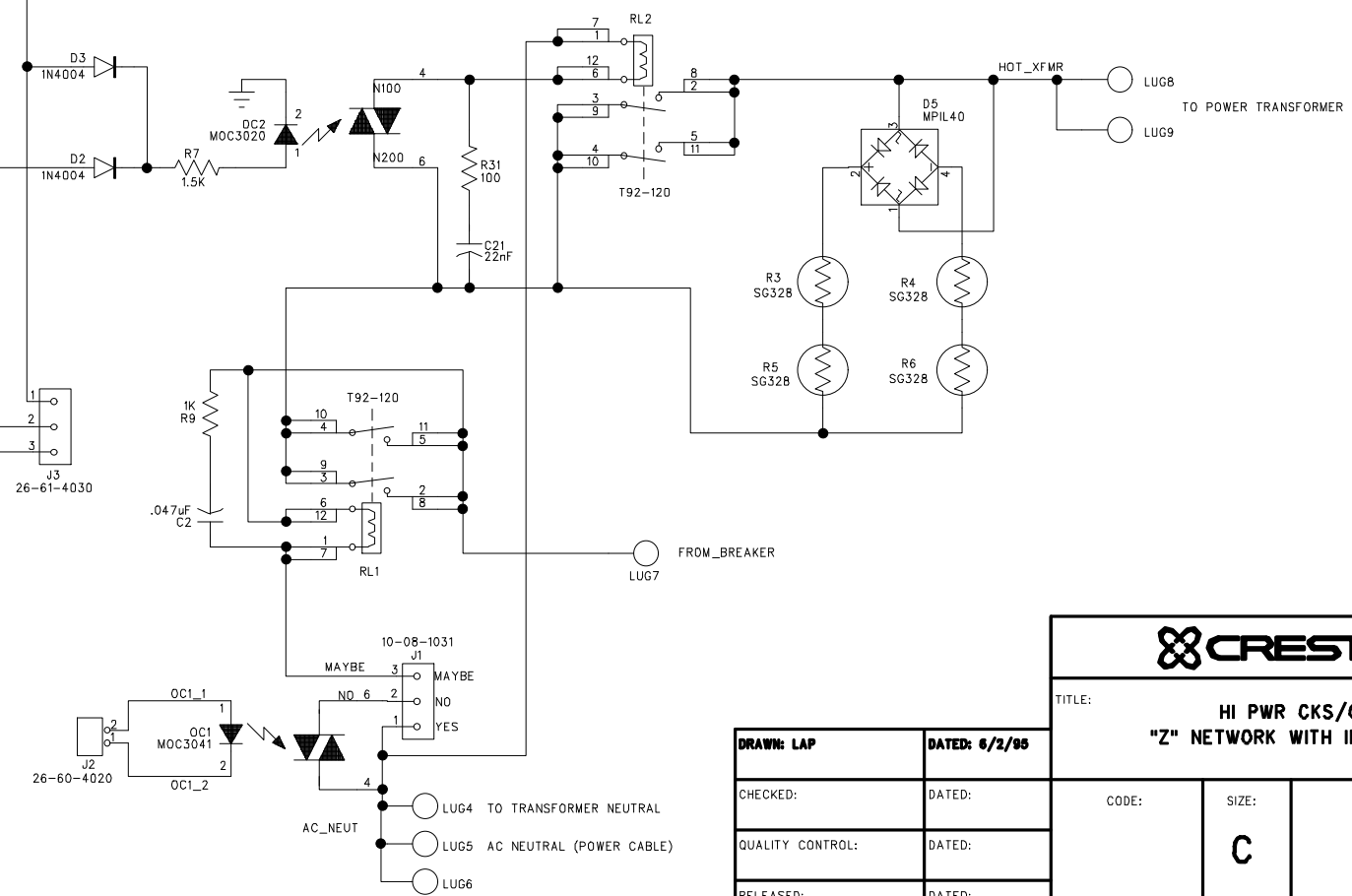
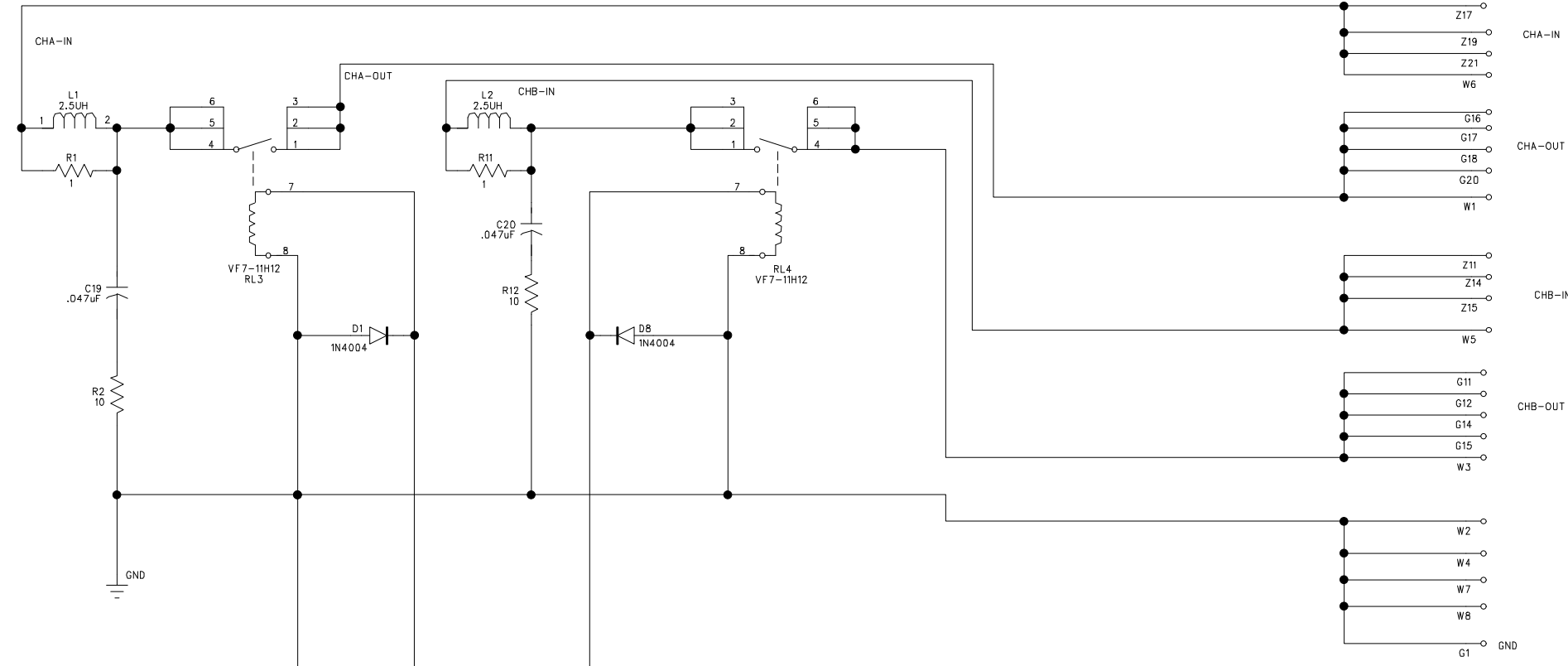
FRONT PANEL LED'S

COMPANY: CREST AUDIO			
TITLE: HI-POWER CKS/CKV DISPLAY 4 SPACE AMP			
CODE:	SIZE:	DRAWING NO: 2604-00	REV: 0
SCALE:			SHEET: 1 OF 1

DRAWN:	DATED:
CHECKED:	DATED:
QUALITY CONTROL:	DATED:
RELEASED:	DATED:

6 | 5 | 4 | 3 | 2 | 1

REVISION RECORD			
LTR	ECO NO:	APPROVED:	DATE:



EXPORT ONLY NOTES

1. RELAYS RL1 AND RL2 MUST CHANGE FOR 240VAC (1600-2 EXPORT)

DRAWN: LAP	DATED: 6/2/95
CHECKED:	DATED:
QUALITY CONTROL:	DATED:
RELEASED:	DATED:

CREST AUDIO

TITLE: **HI PWR CKS/CKV 4 SPACE AMP "Z" NETWORK WITH INRUSH PROTECTION**

CODE:	SIZE: C	DRAWING NO: 2529-04	REV: 4
SCALE:			SHEET: 1 OF 2

D

C

B

A

D

C

B

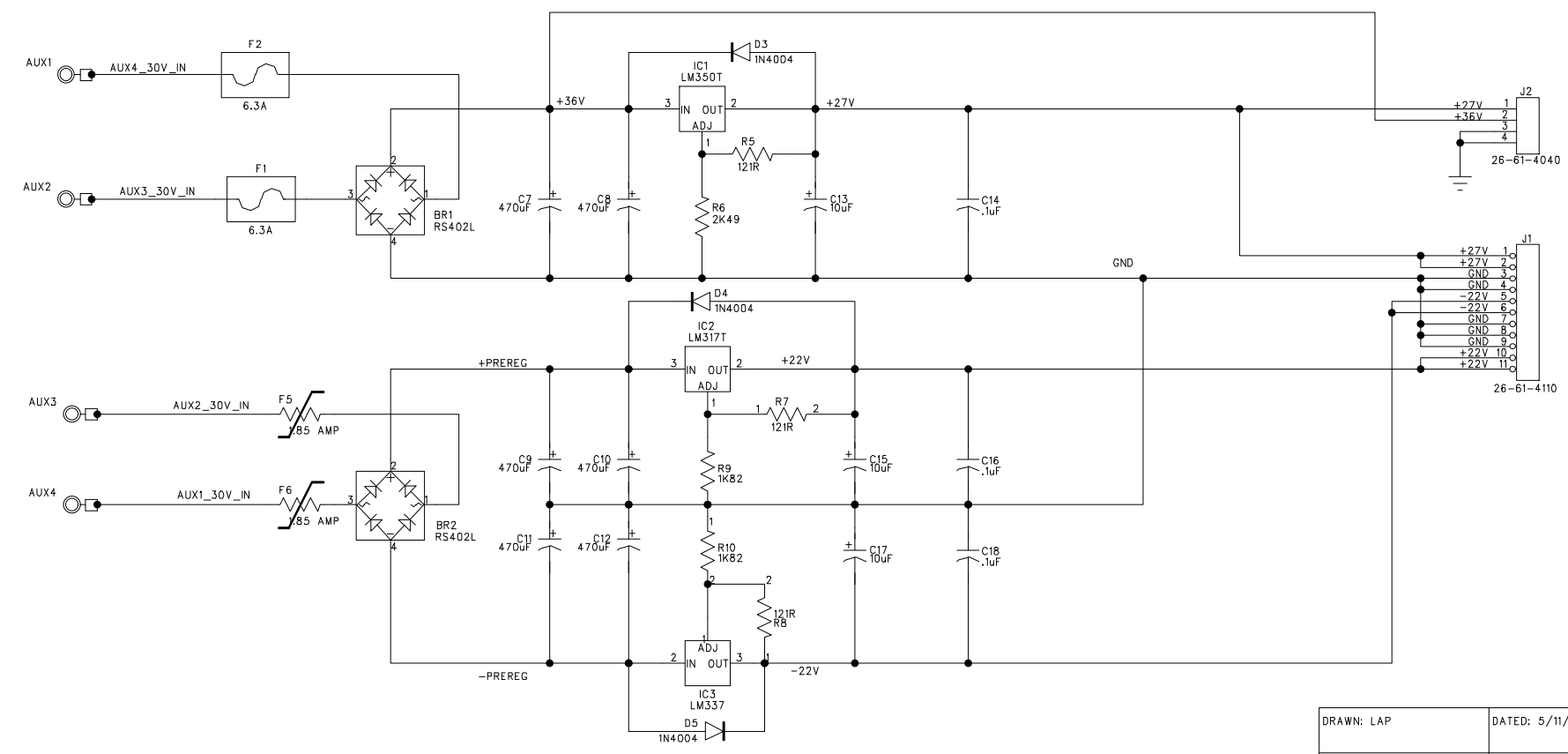
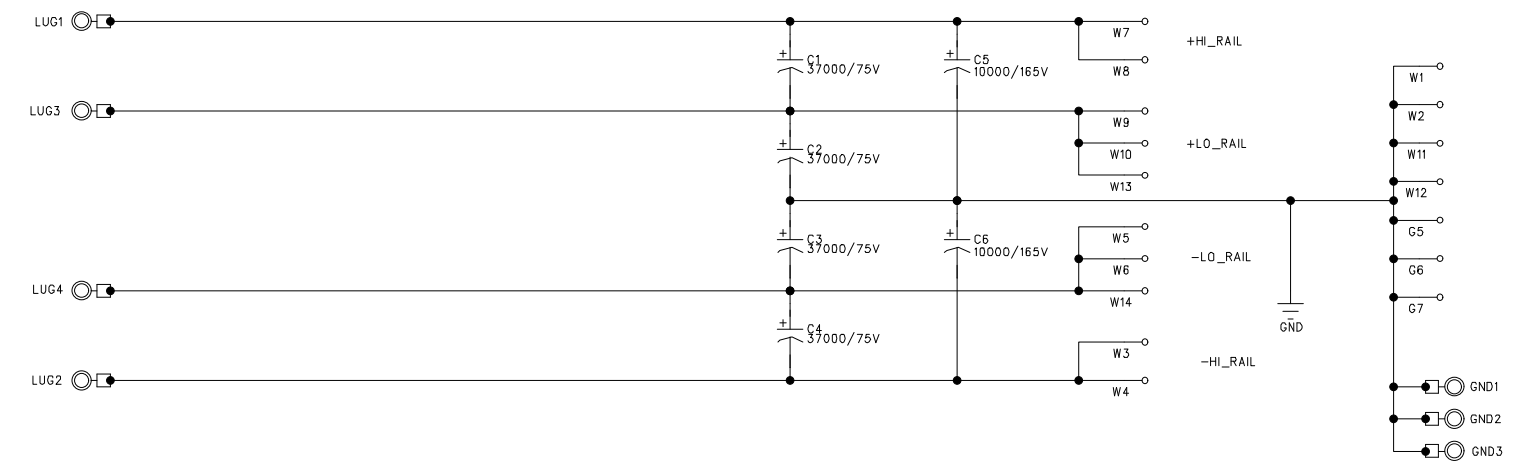
A

6 5 4 3 2 1

REVISION RECORD			
LTR	ECO NO:	APPROVED:	DATE:

D
C
B
A

D
C
B
A



CREST AUDIO

TITLE: **HI-POWR CKS/CKV POWER SUPPLY**

CODE:	SIZE:	DRAWING NO	REV
	C	21C2530	02

SCALE: SHEET: 10F 2

DRAWN: LAP	DATED: 5/11/95
CHECKED:	DATED:
QUALITY CONTROL:	DATED:
RELEASED:	DATED:

6

5

4

3

2

1

REVISION RECORD			
LTR	ECO NO:	APPROVED:	DATE:

D

D

C

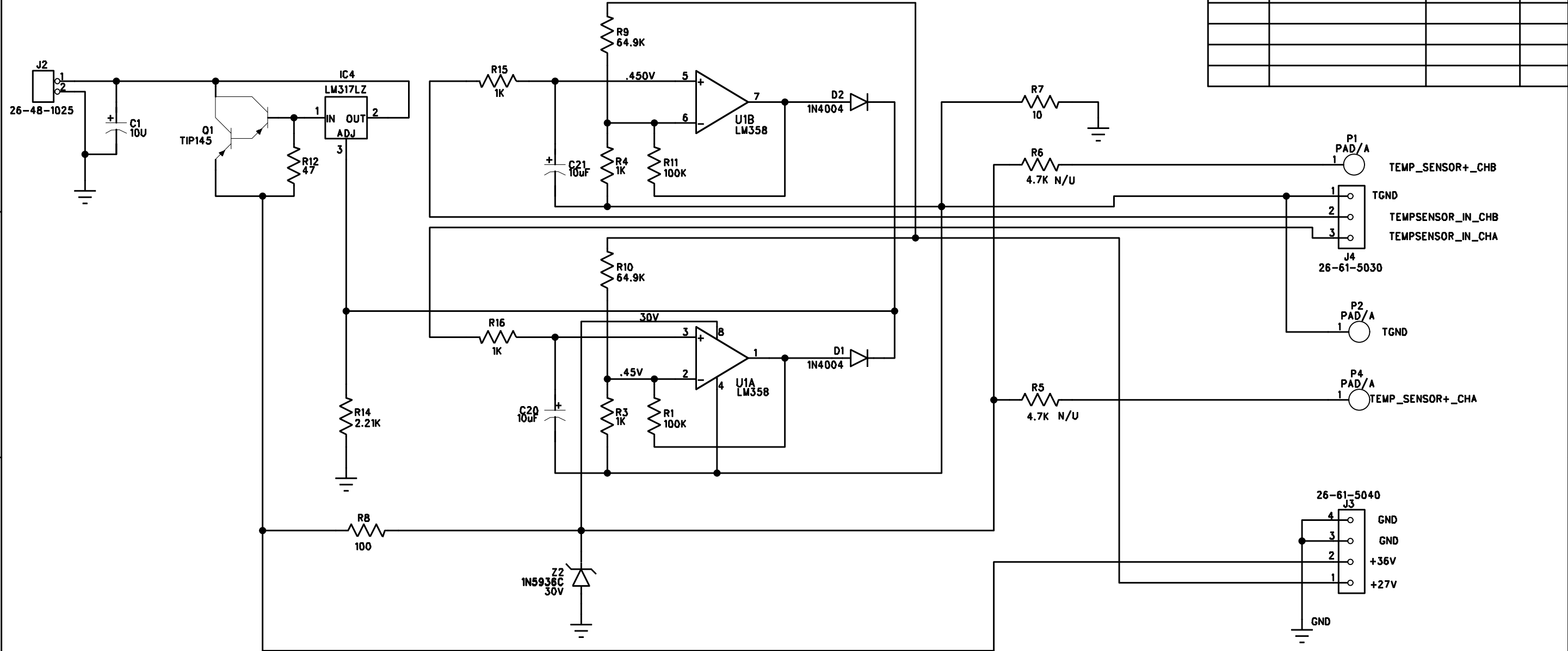
C

B

B

A

A



ASK JD ON ZENER VOLTAGE!

PCB1
PCB
26B2600-01
69000310

DRAWN: LAP	DATED: 8/95
CHECKED:	DATED:
QUALITY CONTROL:	DATED:
RELEASED:	DATED:

COMPANY: CREST AUDIO			
TITLE: HI PWR CKS/CKV FAN PCB 4 SPACE AMP			
CODE:	SIZE: B	DRAWING NO: 2600-01	REV: 1
SCALE:			SHEET: 1 OF 1