



# CENTURY GTx SCHEMATICS

<b>LOCATION</b>	<b>DESCRIPTION</b>	<b>SCHEMATIC #</b>	<b>DWG #</b>	<b>REV #</b>
<b>STANDARD INPUT MODULE</b>	GTx / Vx INPUT CONNECTOR PCB	1	76D2137	01
	GTx INPUT MAIN PCB	2	76D2136	02
	GTx INPUT LCR SUB BOARD	3	76C2190	02
<b>STEREO INPUT MODULE</b>	GTx / Vx STEREO INPUT CONNECTOR	4	76D2578	01
	GTx STEREO INPUT MAIN PCB	5	76D2579	02
	GTx / Vx STEREO LCR BALANCE SUB PCB	6	76C2636	00
<b>GROUP MODULE</b>	GROUP CONNECTOR PCB	7	76D1922	02
	GROUP MAIN PCB	8	76D2138	02
	GTx GROUP LCR SUB BOARD	9	76C2190	02
<b>LEFT / RIGHT OUTPUT MODULE</b>	LEFT / RIGHT CONNECTOR	10	N/A	N/A
	L/R MAIN PCB	11	N/A	N/A
<b>MONO OUTPUT MODULE</b>	MONO CONNECTOR	12	N/A	N/A
	MONO MAIN PCB	13	N/A	N/A
<b>MASTER CONTROL MODULE</b>	MASTER CONNECTOR PCB	14	76D1508	05
	MASTER MAIN PCB	15	N/A	N/A
<b>MATRIX MODULE</b>	MATRIX CONNECTOR PCB	16	76D1922	02
	MATRIX MAIN PCB	17	76D1921	01
<b>METER BRIDGE</b>	POWER / DIMMER PCB	18	N/A	N/A
	METER MUX - ADDED TO DIMMER PCB	19	N/A	N/A
	METER DEMUX	20	76C2221	03
	METER DRIVER BOARD	21	76D2135	01
	GTx / Vx GROUP / AUX LED PCB	22	76B2244	01
	GTx / Vx MASTER METERS LED PCB	23	76C2245	01
	PFL METERS LED PCB	24	76B2246	00
<b>RIBBON CABLE PIN OUT DIAGRAMS</b>	RIBBON PIN OUTS	25	N/A	N/A

6

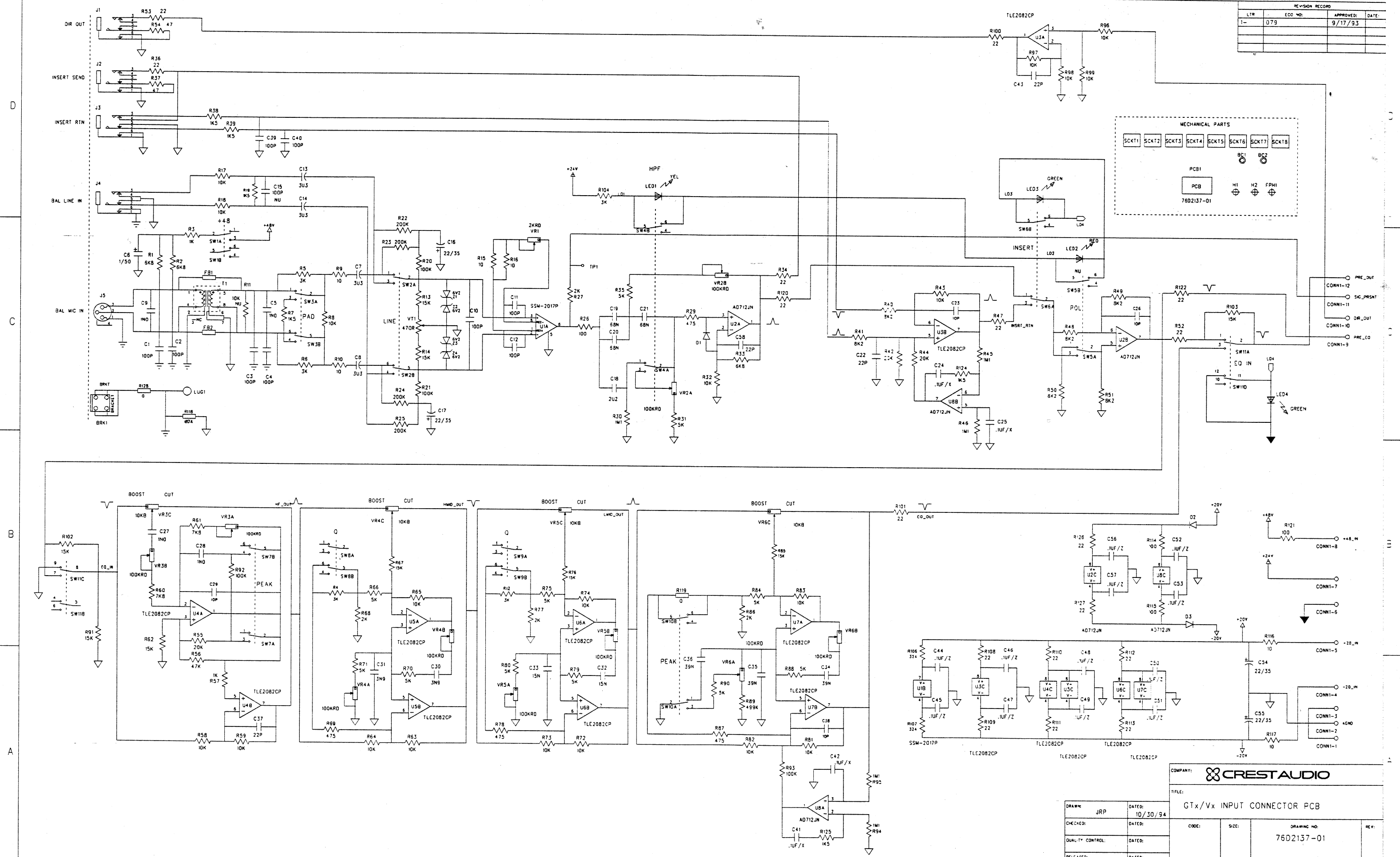
5

4

3

2

REVISION RECORD			
LT#	ECC NO.	APPROVED:	DATE:
1-	079		9/17/93



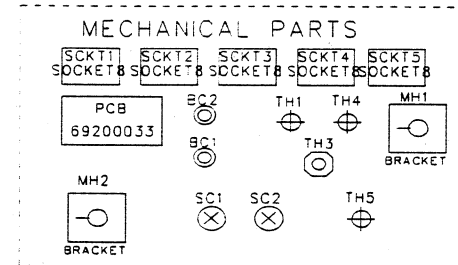
COMPANY: <b>CREST AUDIO</b>			
TITLE: <b>GTx/Vx INPUT CONNECTOR PCB</b>			
DRAWN: JRP	DATED: 10/30/94	CODE:	SIZE:
CHECKED:	DATED:	DRAWING NO: <b>7602137-01</b>	
QUALITY CONTROL:	DATED:	REV:	
RELEASED:	DATED:	SCALE:	SHEET: 1 OF 1

Schematic #1

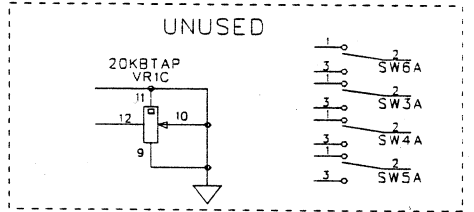
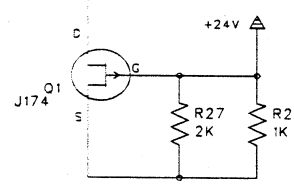
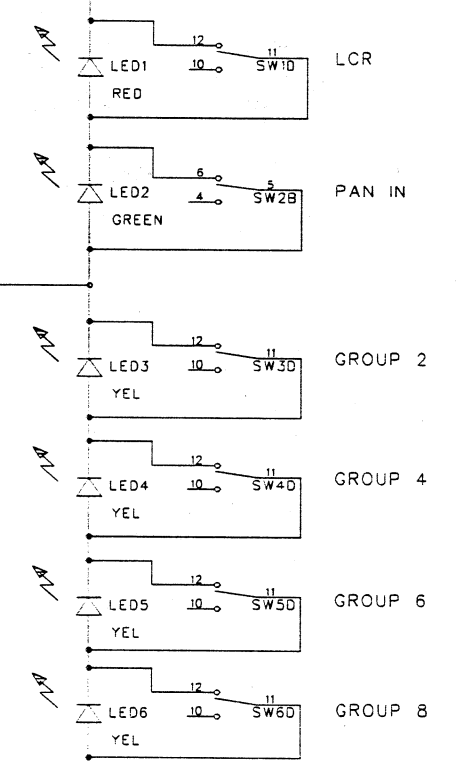


6 5 4 3 2 1

REVISION RECORD			
LTR	ECO NO:	APPROVED:	DATE:

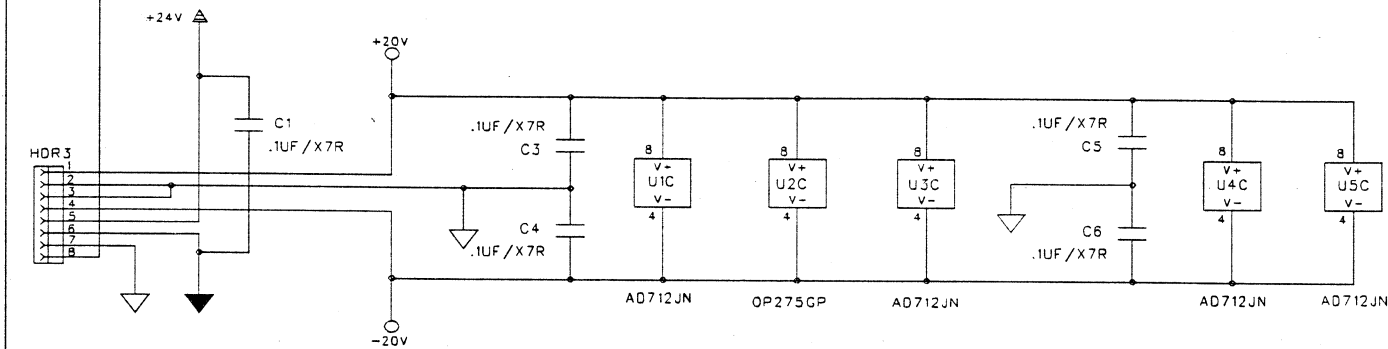
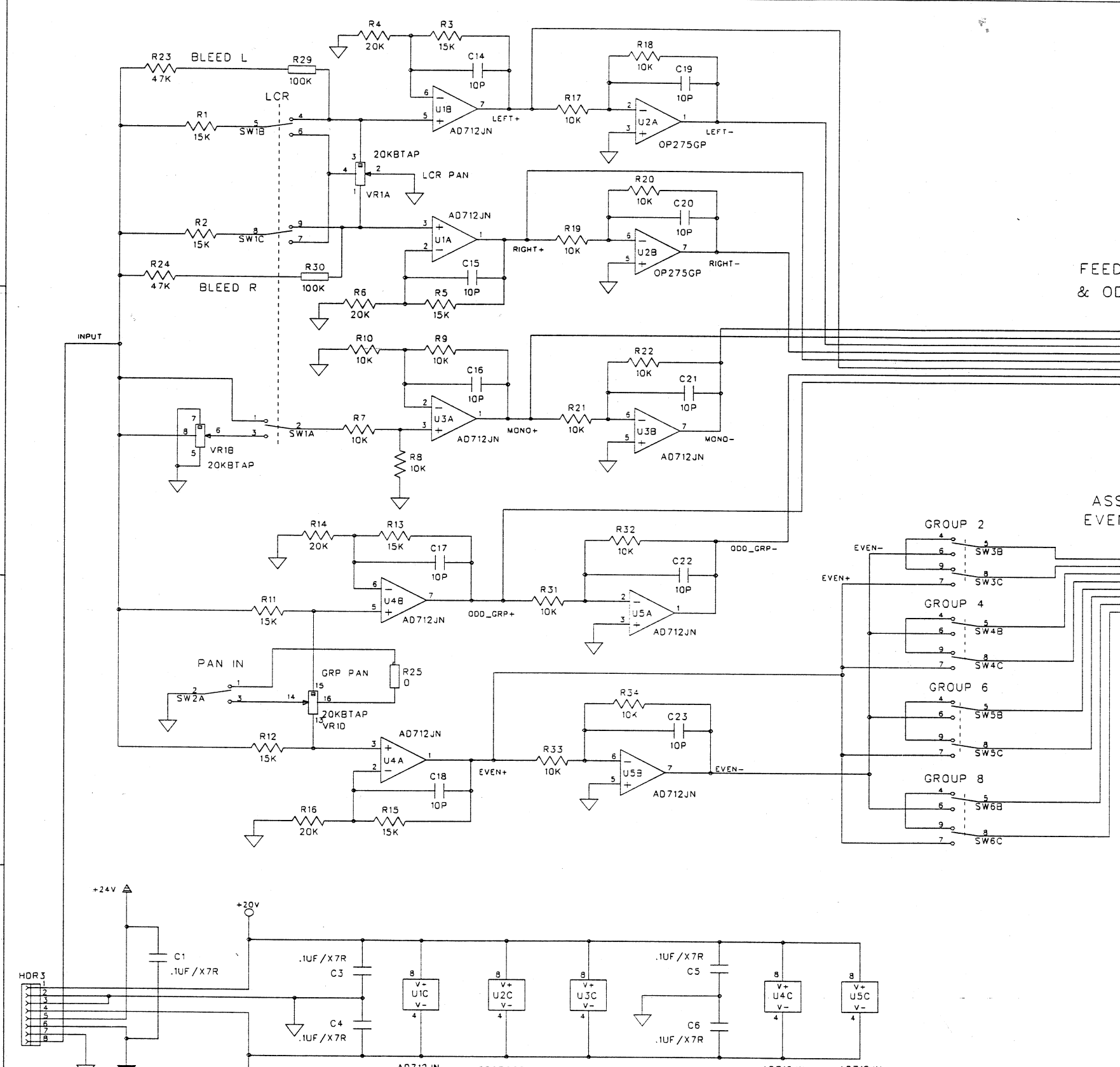


**OPTIONAL LEADS**



FEED TO MAIN & ODD EUSES

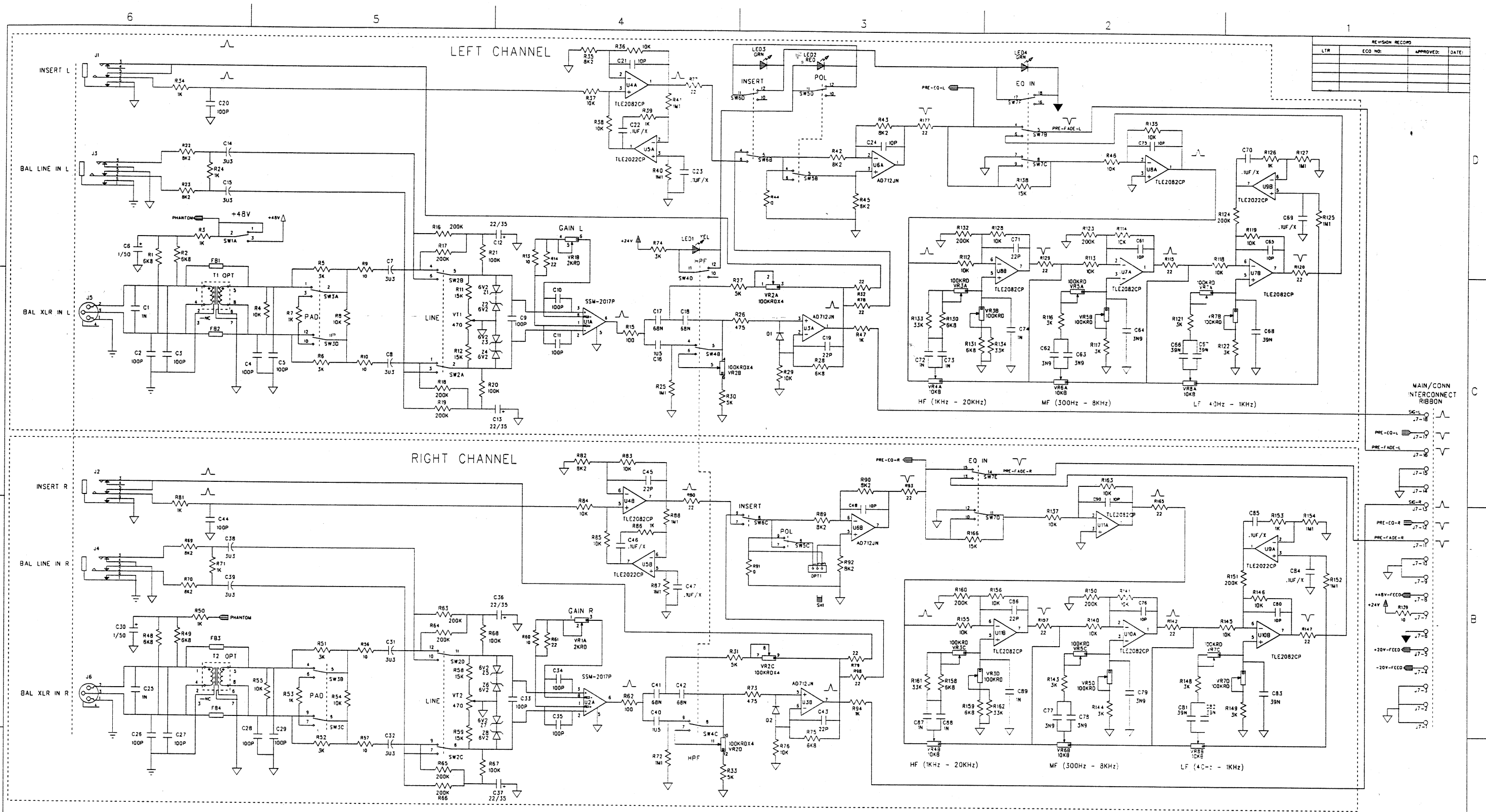
ASSIGN TO EVEN EUSES



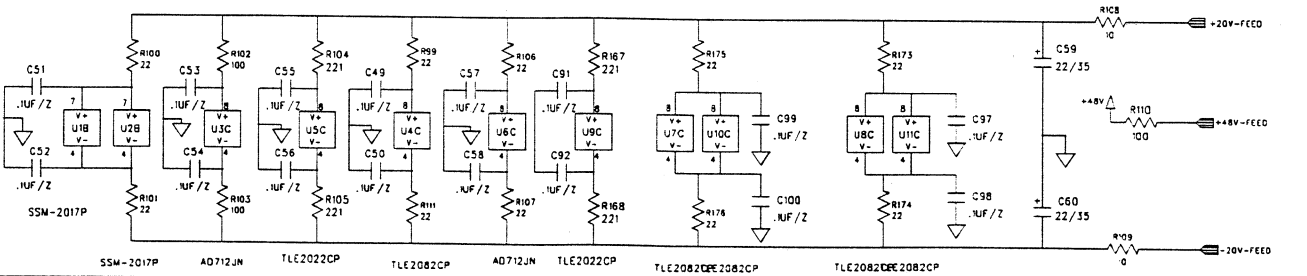
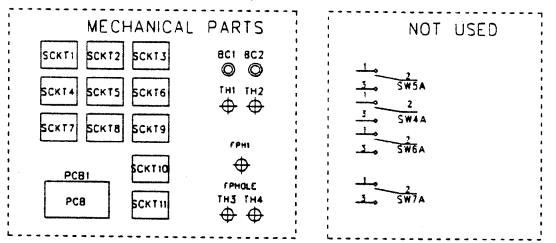
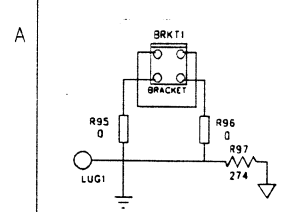
REV1- REV2  
CHANGE CAPS TO 0.400 PITCH

DR: JRP/TAZ	DATE: 11/94
CHECKED:	DATE:
QUALITY CONTROL:	DATE:
RELEASED:	DATE:

COMPANY: <b>CRESTAUDIO</b>			
TITLE: <b>LCR SUB BOARD</b>			
CODE:	SIZE:	DRAWING NO: <b>76C2190-02</b>	REV:
SCALE:		SHEET: 1 OF 1	



REVISION RECORD			
LTR	ECO NO.	APPROVED:	DATE:

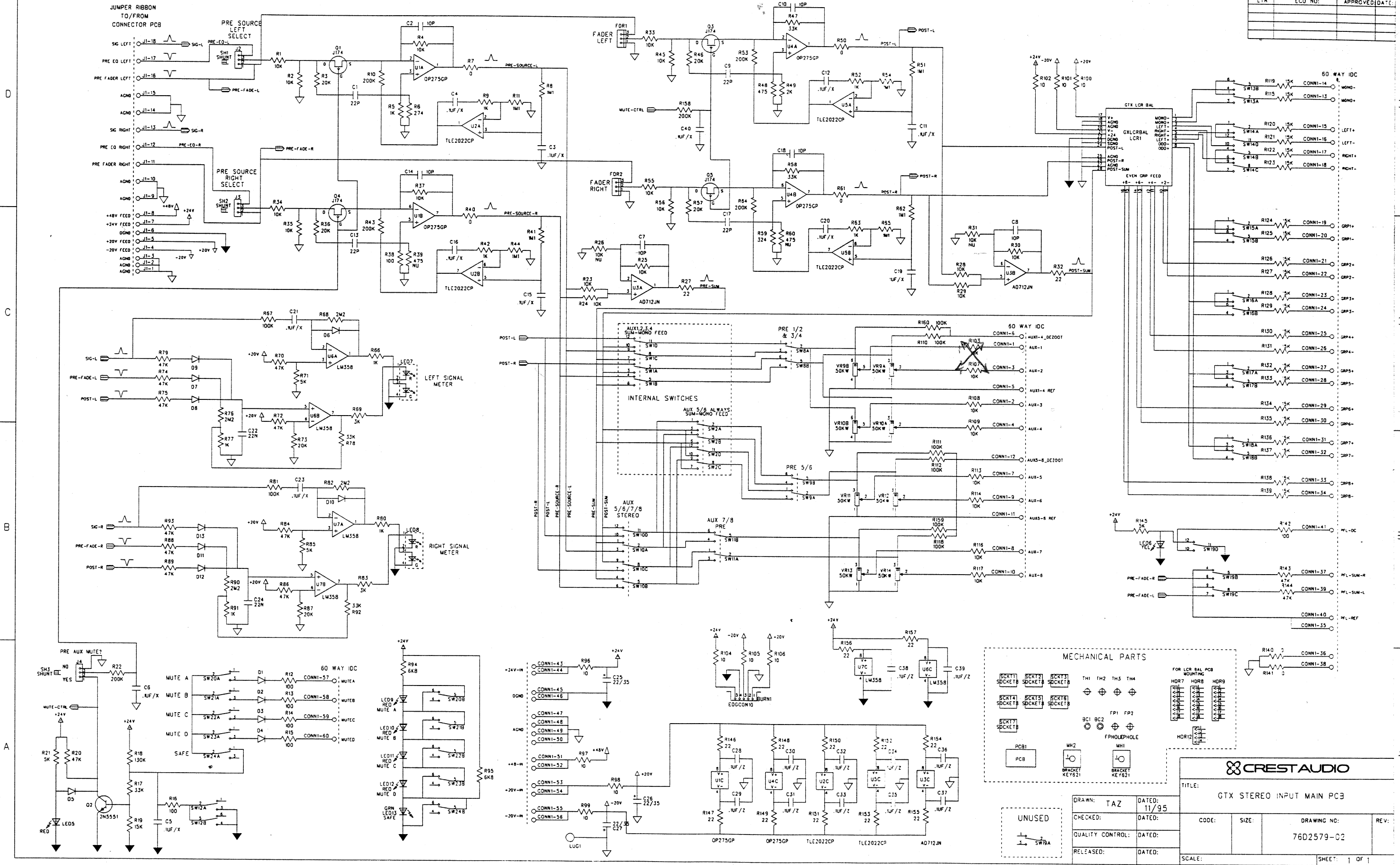


DRAWN: TAZ	DATE: // /95
CHECKED:	DATE:
QUALITY CONTROL:	DATE:
RELEASED:	DATE:

COMPANY: <b>CREST AUDIO</b>	
TITLE: GTX/VX STEREO INPUT CONNECTOR	
CODE:	SIZ:
DRAWING NO: 76D2578-31	
SCALE:	SHEET: 1 OF 1

Schematic #4

REVISION RECORD			
LTR	ECO NO:	APPROVED	DATE



**CREST AUDIO**

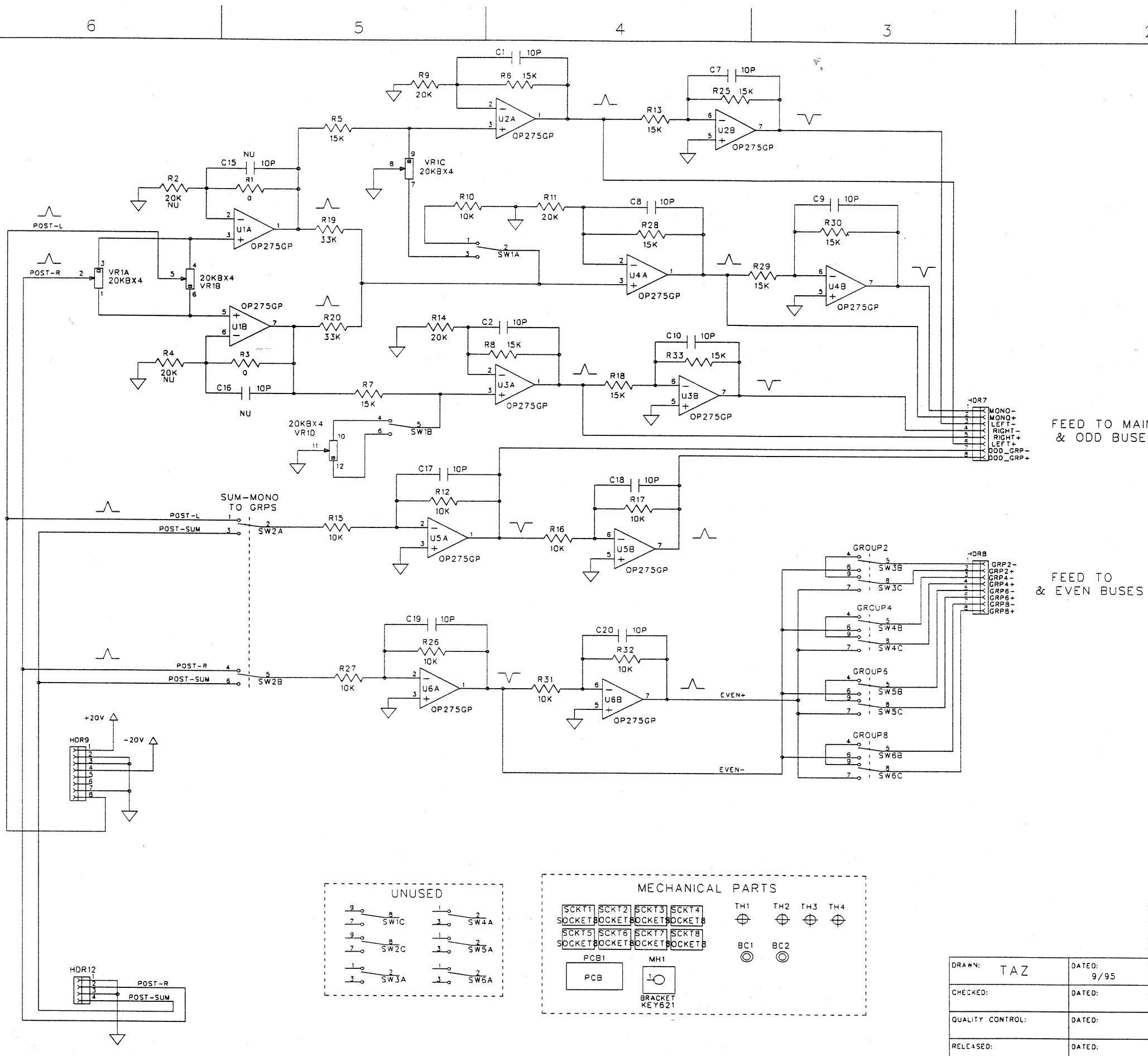
TITLE: GTX STEREO INPUT MAIN PCB

DRAWN: TAZ      DATED: 11/95

CHECKED:      DATED:      CODE:      SIZE:      DRAWING NO: 7602579-02      REV:      RELEASED:      DATED:      SCALE:      SHEET: 1 OF 1

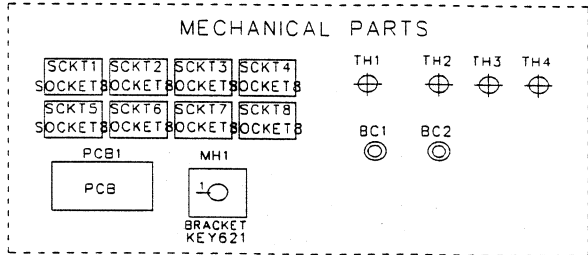
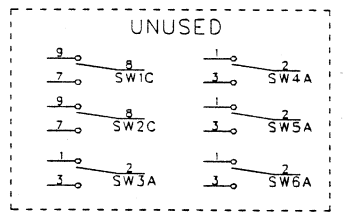
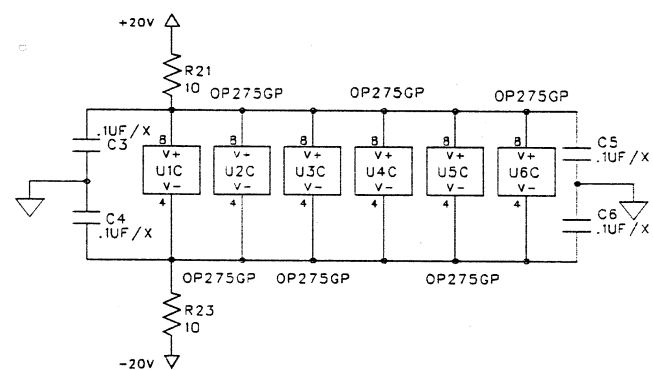
Schematic #5

REVISION RECORD			
LTR	ECD NO:	APPROVED:	DATE:



FEED TO MAIN & ODD BUSES

FEED TO & EVEN BUSES



**CRESTAUDIO**

TITLE: GTX STEREO LCR BALANCE SUB PCB

DRAWN: TAZ	DATED: 9/95	CODE:	SIZE: C	DRAWING NO: 76C2636-00	REV:
CHECKED:	DATED:	SCALE:	SHEET: 1 OF 1		
QUALITY CONTROL:	DATED:				
RELEASED:	DATED:				

6

5

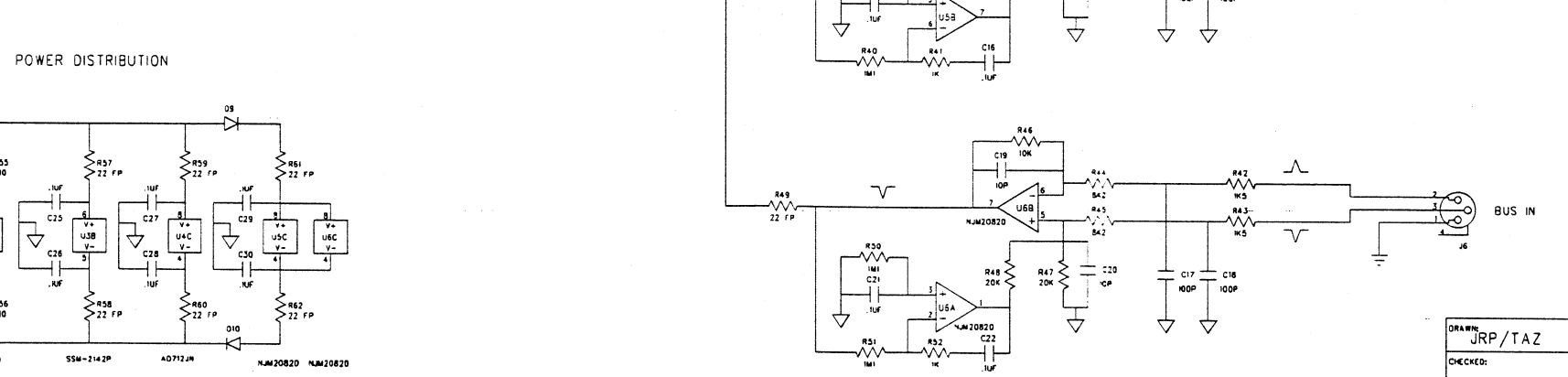
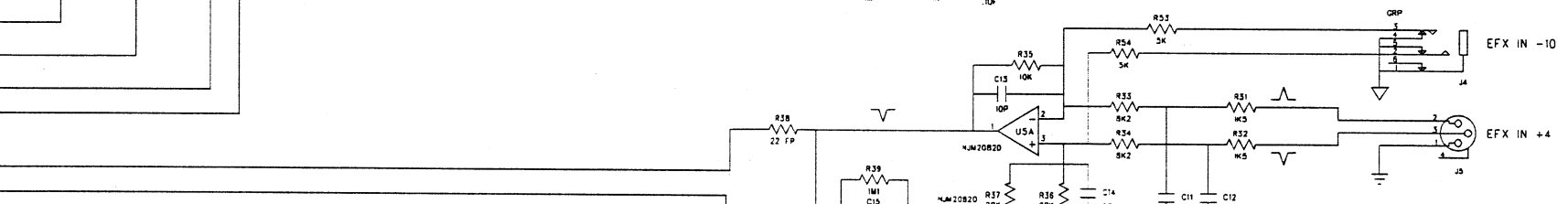
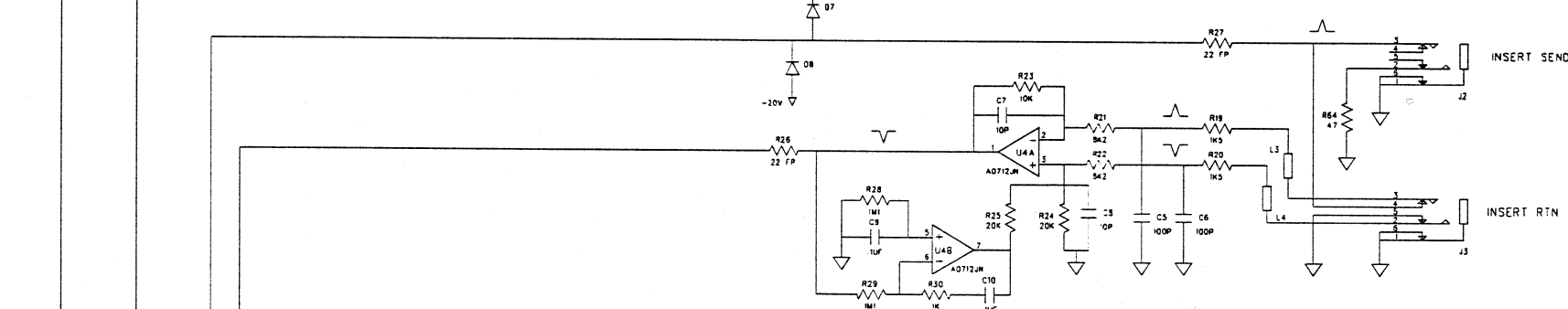
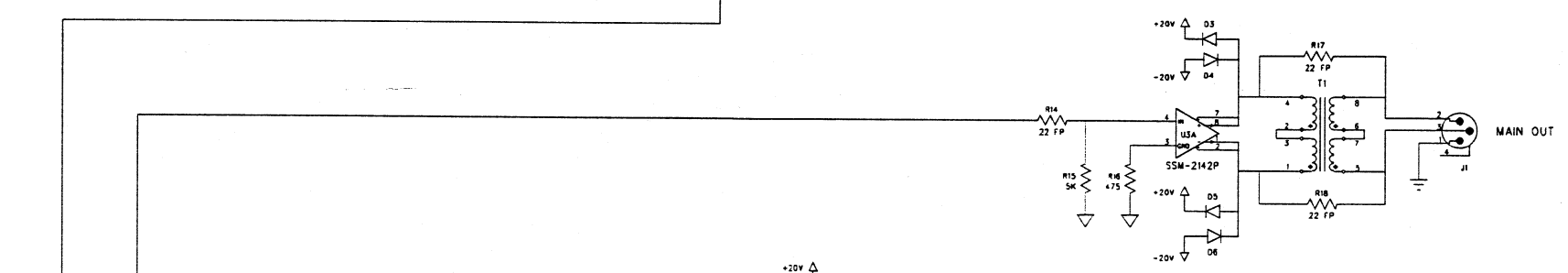
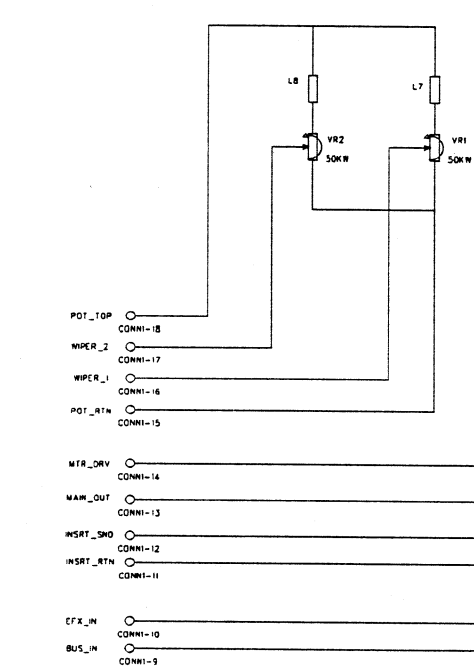
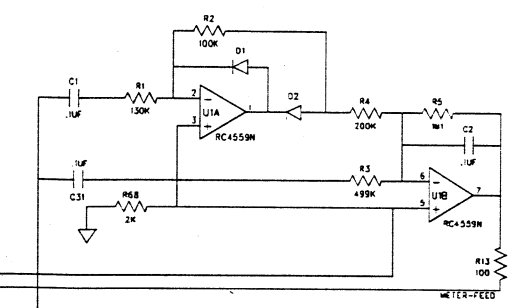
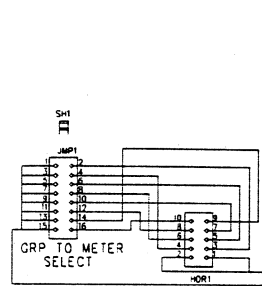
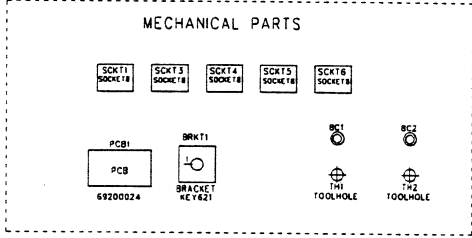
4

3

2

1

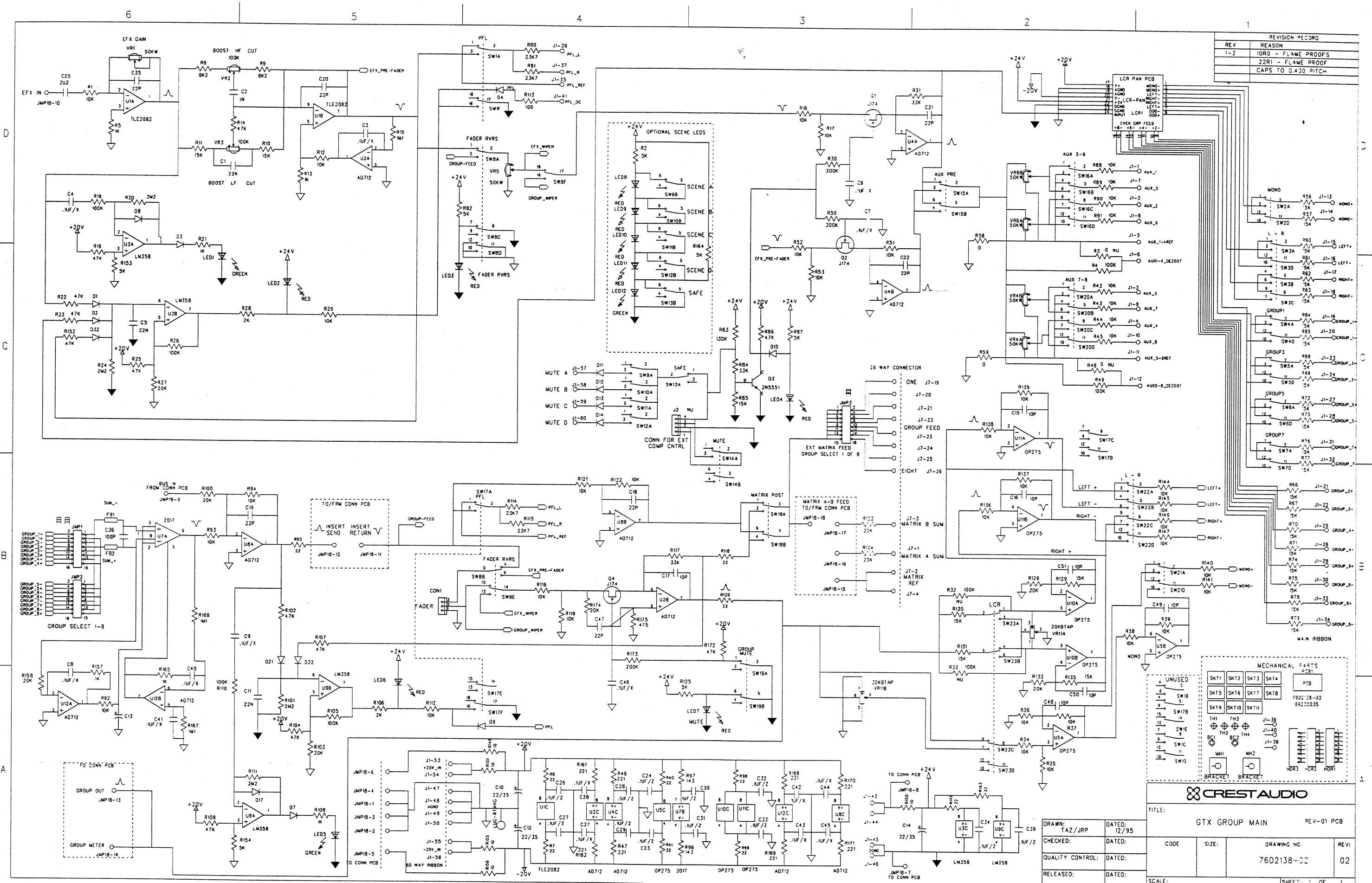
REVISION RECORD			
LT#	ECO NO.	APPROVED	DATE



COMPANY: <b>CRESTAUDIO</b>	
TITLE: <b>GTX GROUP OUTPUT CONNECTOR PCB</b>	
DRAWN: <b>JRP/TAZ</b>	DATE: <b>6/95</b>
CHECKED:	DATE:
QUALITY CONTROL:	DATE:
RELEASED:	DATE:
CODE:	SIZE:
DRAWING NO: <b>76D1922-02</b>	
SCALE:	SHEET: 1 OF 1

Schematic #7



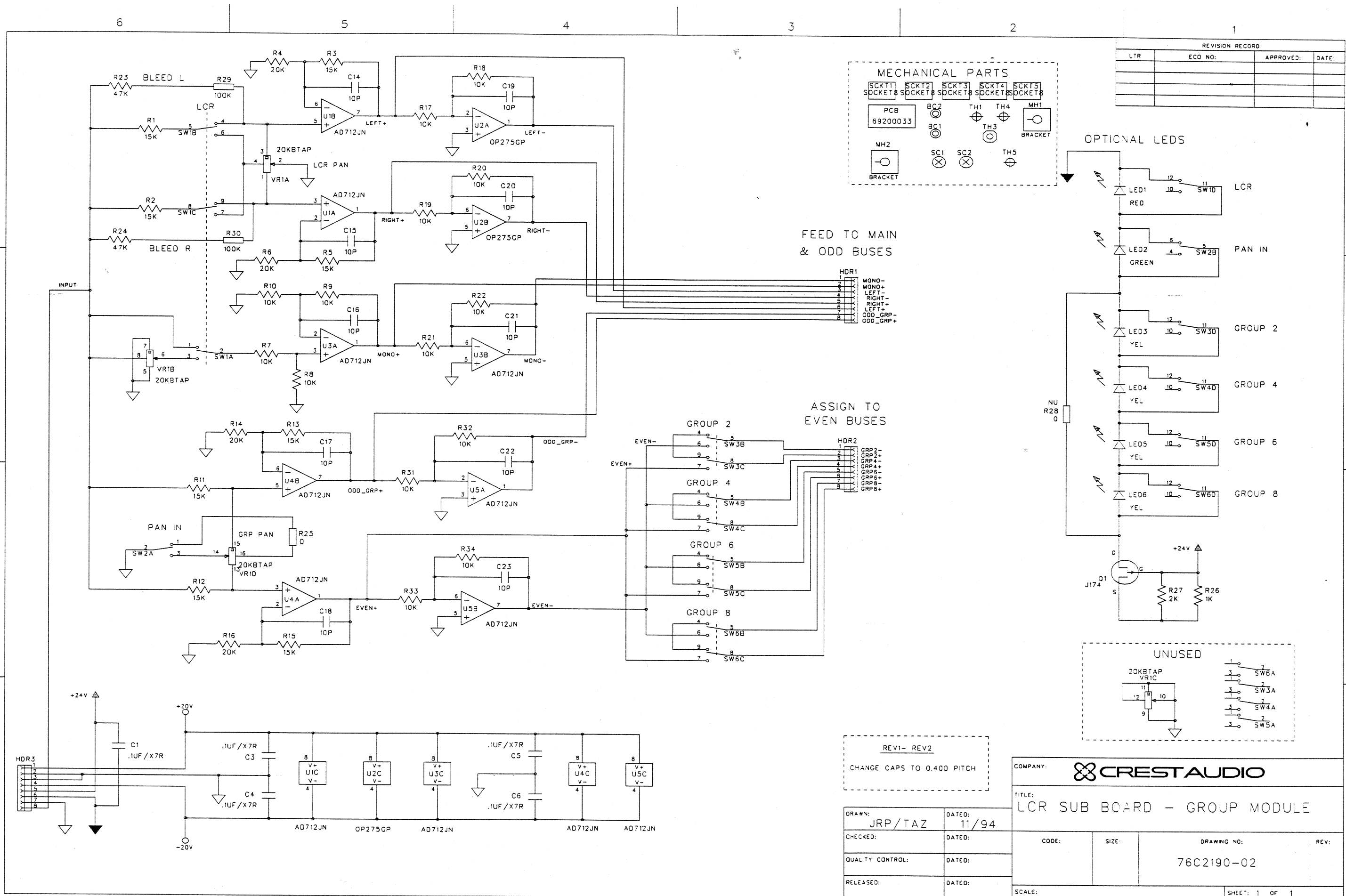


REV	REASON
1-2	10R0 - FLAME PROOFS
	22R1 - FLAME PROOF
	CAPS TO 0.430 PITCH

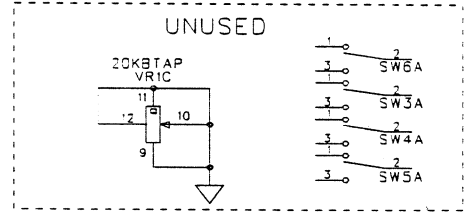
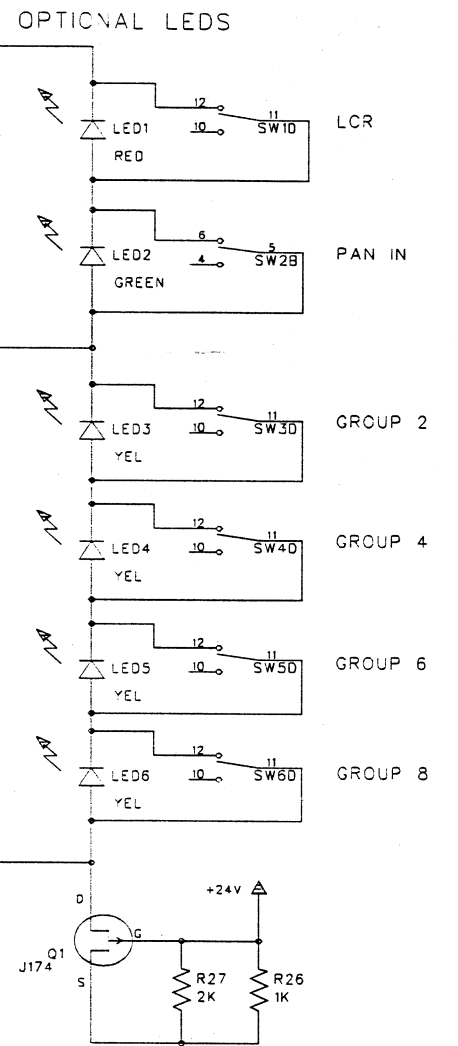
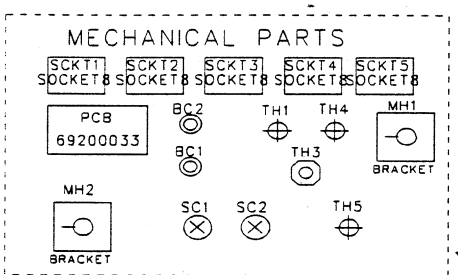
UNUSED	
SKT1	SKT2
SKT3	SKT4
SKT5	SKT6
SKT7	SKT8
SKT9	SKT10
SKT11	
TH1	TH3
TH2	TH4
MH1	MH2
HCR1	HCR2
HCR3	HCR1

DRAWN: TAZ/JRP		DATED: 12/95	
CHECKED:		DATED:	
QUALITY CONTROL:		DATED:	
RELEASED:		DATED:	
TITLE: GTX GROUP MAIN		REV: 01 PCB	
CODE:	SIZE:	DRAWING NO:	REV:
		76D2138-02	02
SCALE:		SHEET: 1 OF 1	

Schematic #8



REVISION RECORD			
LTR	ECO NO:	APPROVED:	DATE:



REVI- REV2

CHANGE CAPS TO 0.400 PITCH

DRAWN: JRP/TAZ	DATED: 11/94
CHECKED:	DATED:
QUALITY CONTROL:	DATED:
RELEASED:	DATED:

COMPANY: <b>CRESTAUDIO</b>			
TITLE: <b>LCR SUB BOARD - GROUP MODULE</b>			
CODE:	SIZE:	DRAWING NO:	REV:
		76C2190-02	
SCALE:	SHEET: 1 OF 1		

Schematic #9

6

5

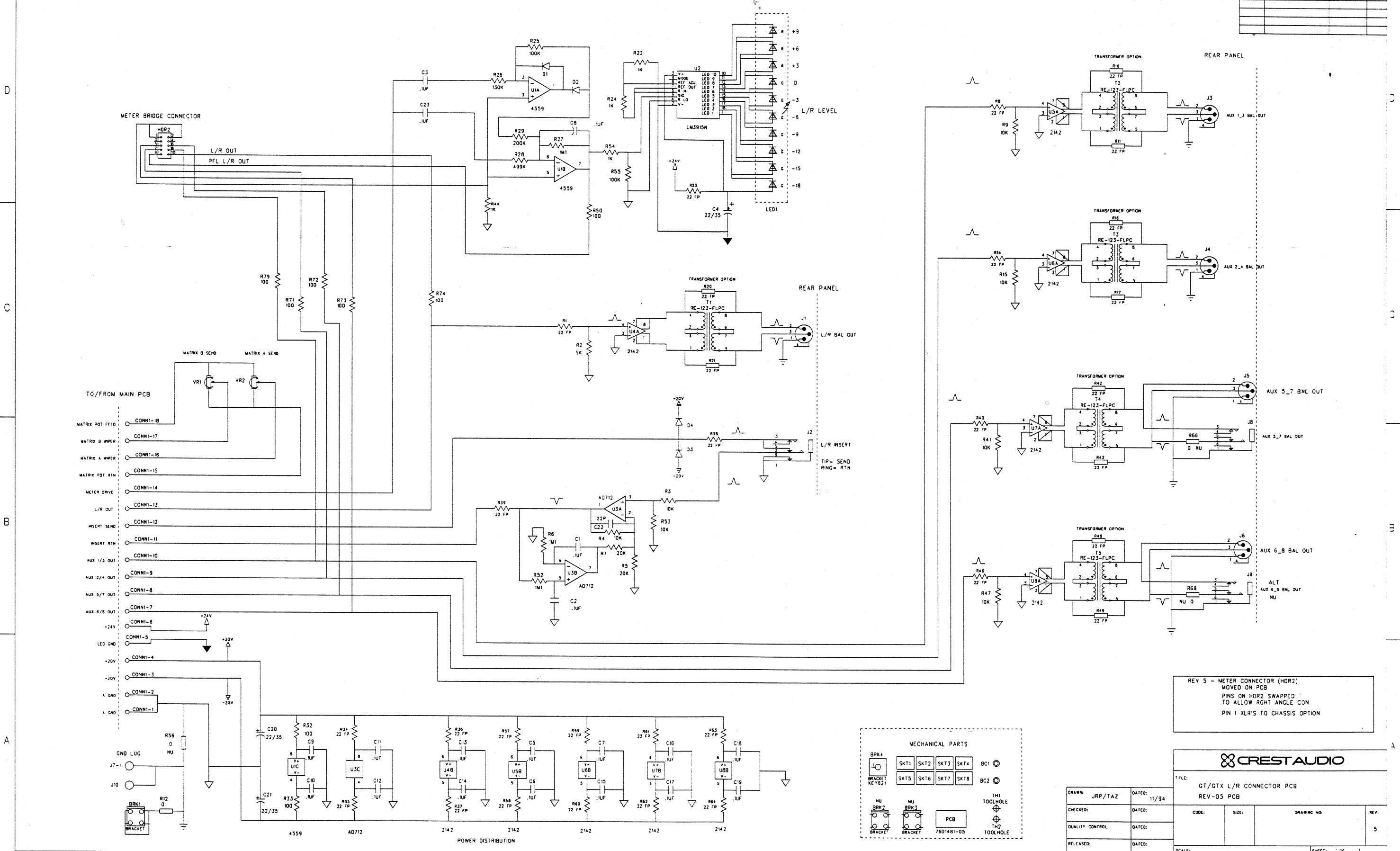
4

3

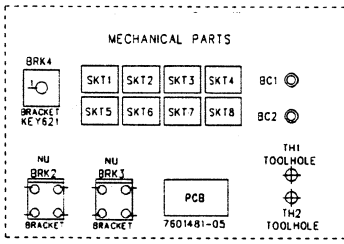
2

1

REVISION RECORD			
LTW	ECO NO.	APPROVED:	DATE:

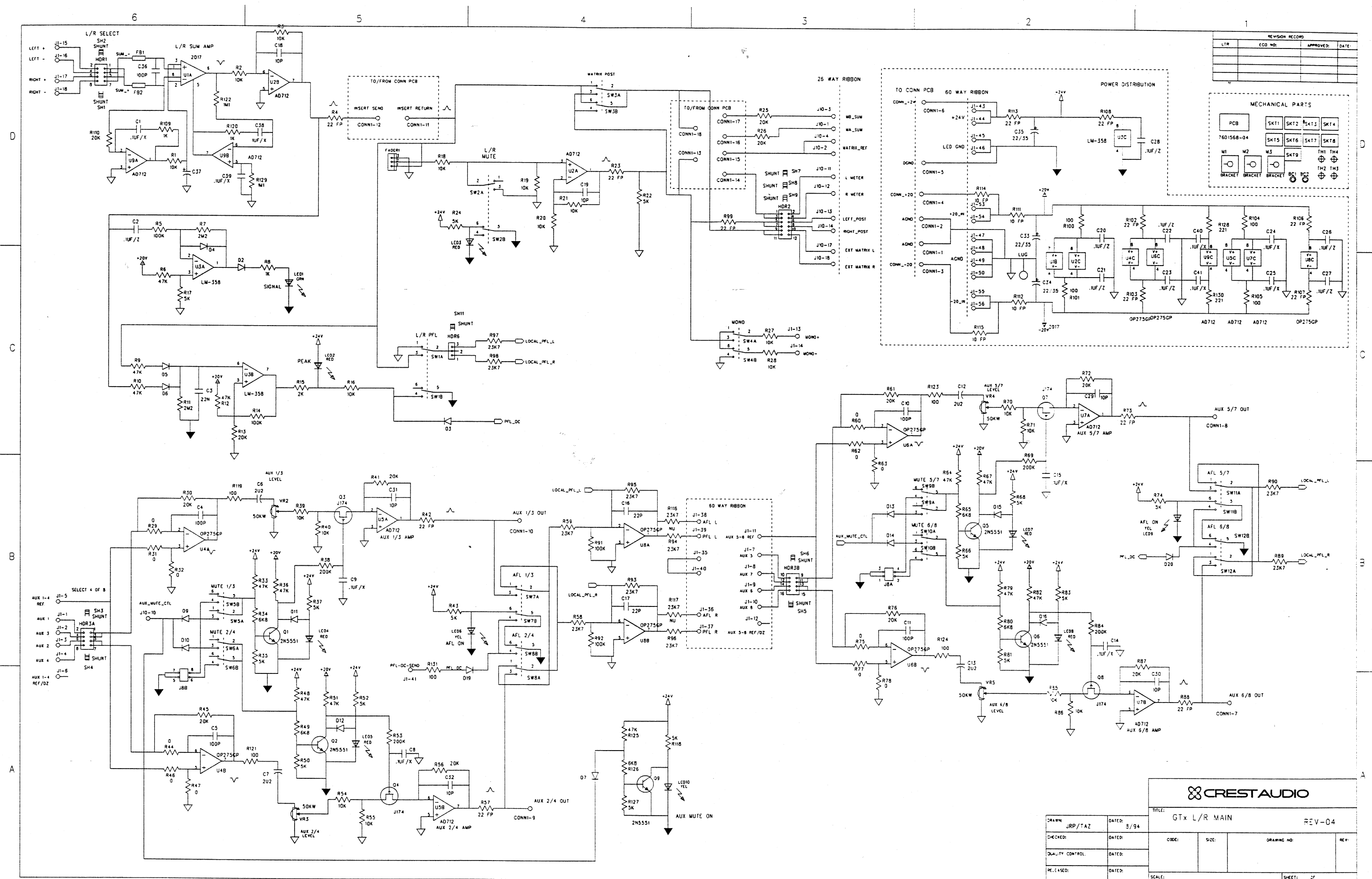


REV 5 - METER CONNECTOR (HOR2)  
 MOVED ON PCB  
 PINS ON HOR2 SWAPPED  
 TO ALLOW RIGHT ANGLE CON  
 PIN 1 XLR'S TO CHASSIS OPTION



DRAWN: JRP/TAZ		DATE: 11/94	
CHECKED:		DATE:	
QUALITY CONTROL:		DATE:	
RELEASED:		DATE:	
TITLE: CT/GTX L/R CONNECTOR PCB REV-05 PCB			
CODE:	SIZE:	DRAWING NO:	REV: 5
SCALE:		SHEET: 1 OF 1	

Schematic #10



REVISION RECORD			
LTR	ECO NO.	APPROVED:	DATE:

MECHANICAL PARTS							
PCB	SKT1	SKT2	SKT3	SKT4			
7601568-04	SKT5	SKT6	SKT7	SKT8			
M1	M2	M3	SKT9	TH1	TH4		
BRACKET	BRACKET	BRACKET	BOLT				

<b>CREST AUDIO</b>		TITLE: GTx L/R MAIN		REV-04	
DRAWN: JRP/TAZ	DATED: 8/94	CODE:	SIZE:	DRAWING NO:	REV:
CHECKED:	DATED:				
QUALITY CONTROL:	DATED:				
RELEASED:	DATED:				
		SCALE:		SHEET:	3F

Schematic #11

6

5

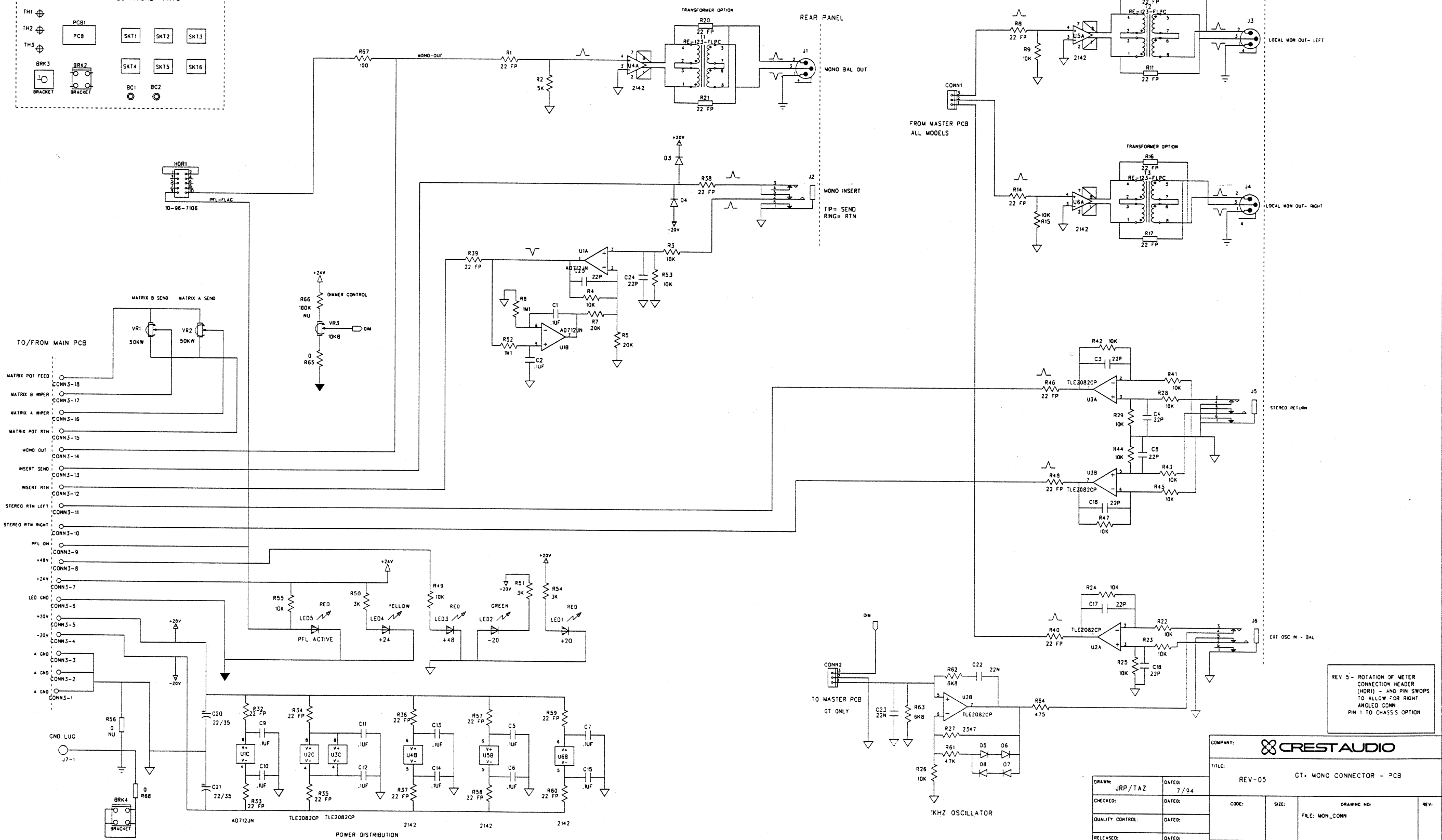
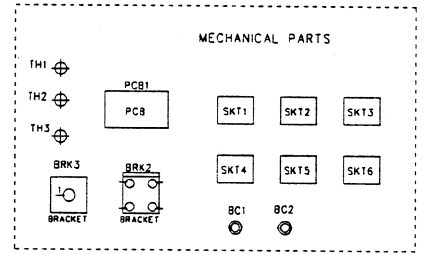
4

3

2

REVISION RECORD			
LTR	ECO NO.	APPROVED	DATE

ENLARGED LETTERING



REV 5 - ROTATION OF METER CONNECTION HEADER (HDR1) - AND PIN SWOPS TO ALLOW FOR RIGHT ANGLED CONN PIN 1 TO CHASSIS OPTION

COMPANY: <b>CRESTAUDIO</b>		TITLE: REV-05 GT+ MONO CONNECTOR - PCB	
DRAWN: JRP/TAZ	DATED: 7/94	CODE:	SIZE:
CHECKED:	DATED:	DRAWING NO:	REV:
QUALITY CONTROL:	DATED:	FILE: MON_CONN	
RELEASED:	DATED:	SCALE:	SHEET: 1 OF 1

Schematic #12

6

5

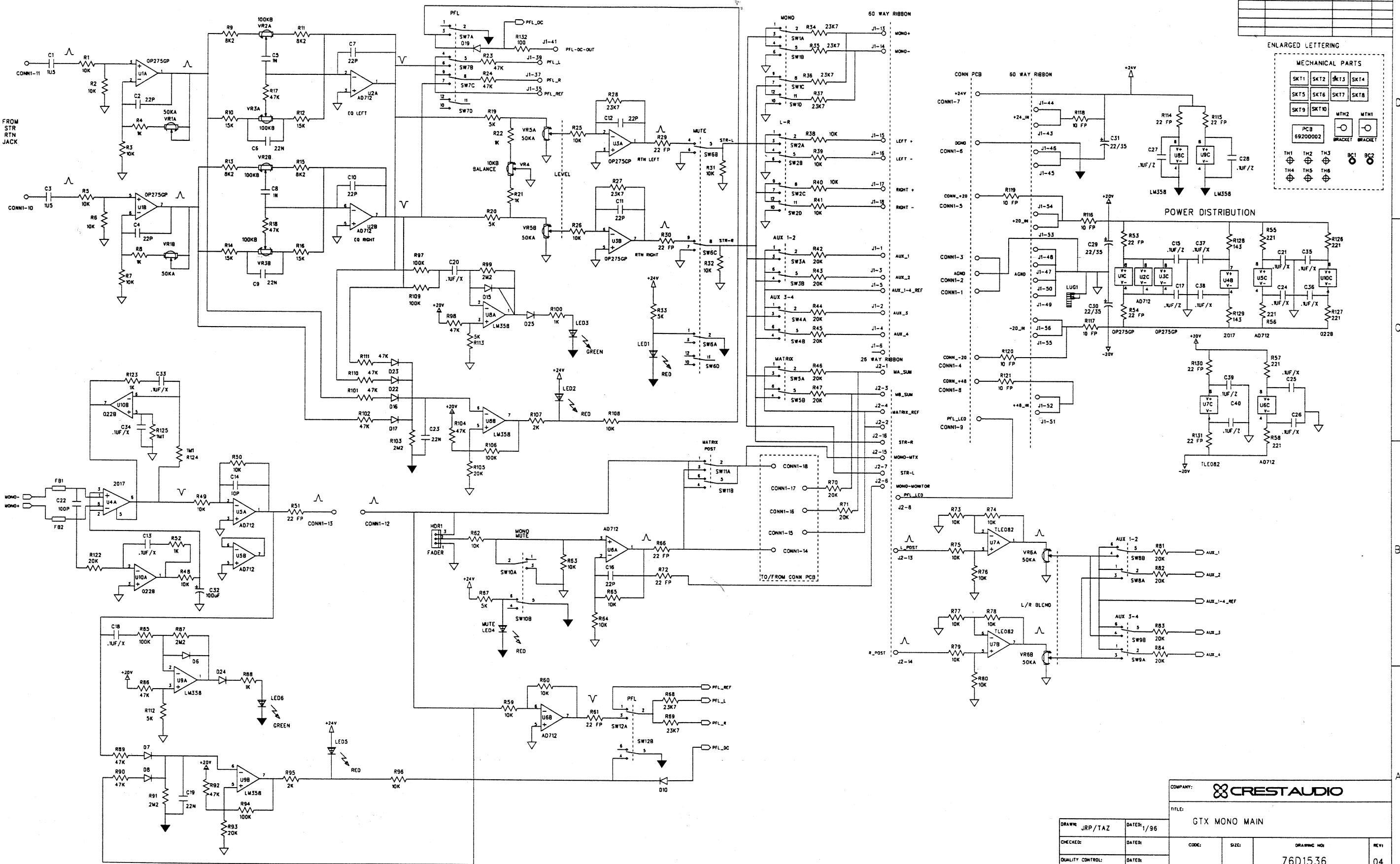
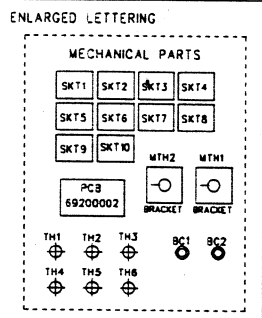
4

3

2

1

REVISION RECORD			
LTR	ECO NO	APPROVED	DATE



COMPANY: <b>CREST AUDIO</b>	
TITLE: <b>GTX MONO MAIN</b>	
DRAWN: JRP/TAZ	DATE: 1/96
CHECKED:	DATE:
QUALITY CONTROL:	DATE:
RELEASED:	DATE:
CODE:	SIZE:
DRAWING NO: <b>76D1536</b>	
REV: <b>04</b>	
SCALE:	SHEET: OF

Schematic #13

6

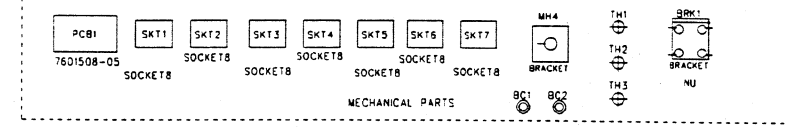
5

4

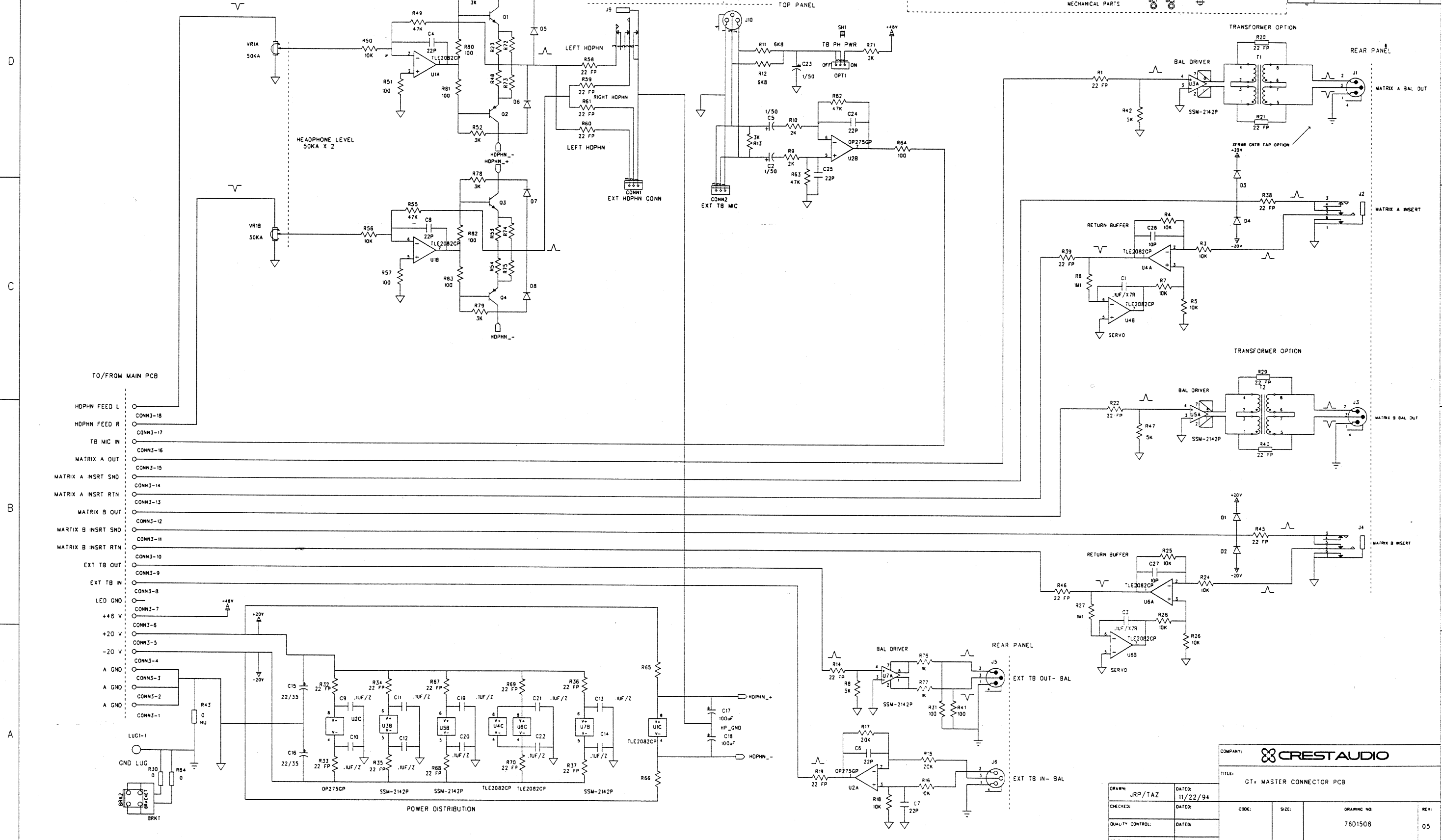
3

2

1



REVISION RECORD			
LTR	ECO NO.	APPROVED:	DATE:



- TO/FROM MAIN PCB
- HDPHN FEED L ○ CONN3-18
  - HDPHN FEED R ○ CONN3-17
  - TB MIC IN ○ CONN3-16
  - MATRIX A OUT ○ CONN3-15
  - MATRIX A INSRT SND ○ CONN3-14
  - MATRIX A INSRT RTN ○ CONN3-13
  - MATRIX B OUT ○ CONN3-12
  - MATRIX B INSRT SND ○ CONN3-11
  - MATRIX B INSRT RTN ○ CONN3-10
  - EXT TB OUT ○ CONN3-9
  - EXT TB IN ○ CONN3-8
  - LED GND ○ CONN3-7
  - +48 V ○ CONN3-6
  - +20 V ○ CONN3-5
  - 20 V ○ CONN3-4
  - A GND ○ CONN3-3
  - A GND ○ CONN3-2
  - A GND ○ CONN3-1

COMPANY: **CRESTAUDIO**

TITLE: GTx MASTER CONNECTOR PCB

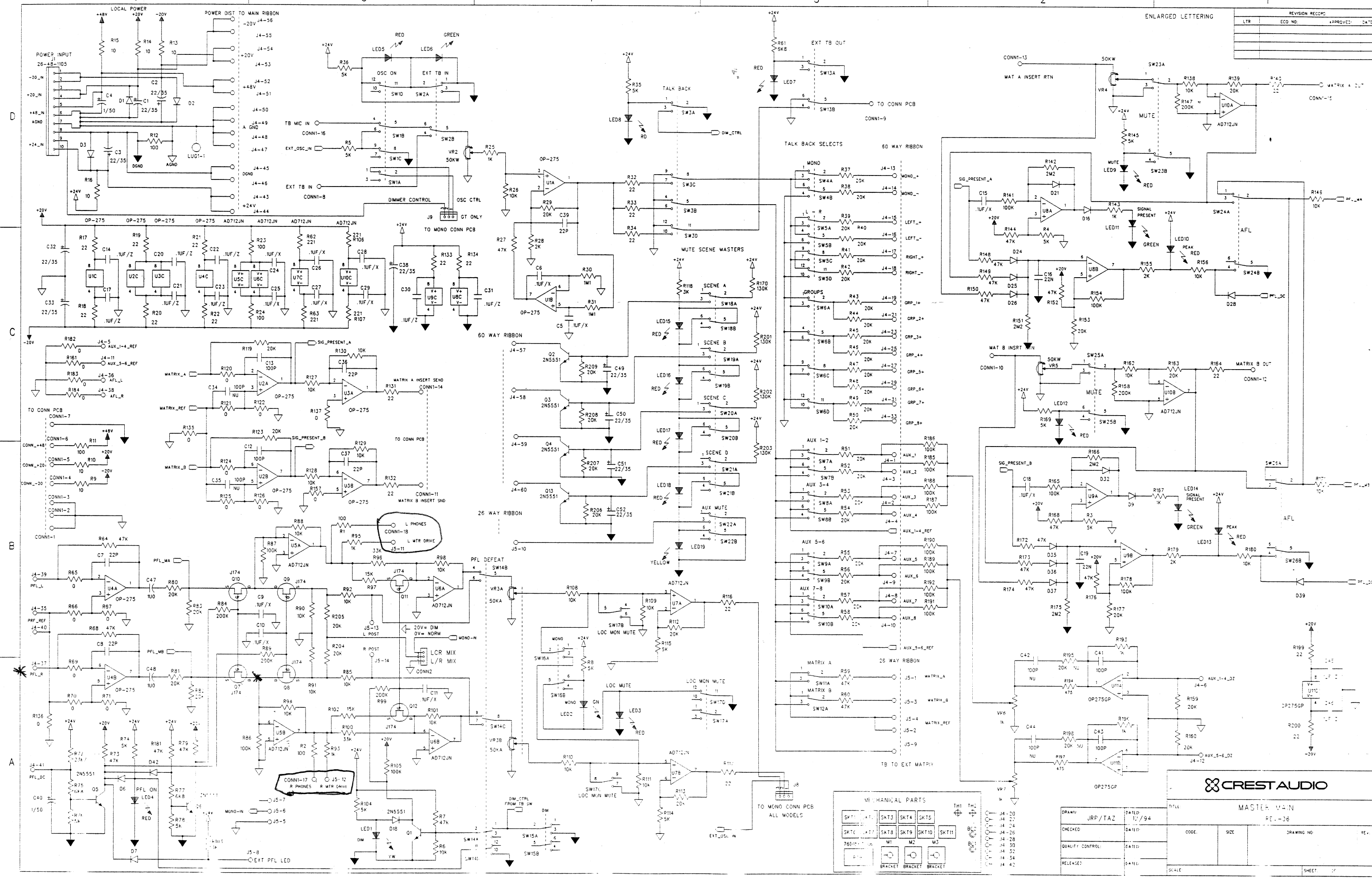
DRAWN: JRP/TAZ	DATE: 11/22/94	CODE:	SIZE:	DRAWING NO:	REV:
CHECKED:	DATE:			76D1508	05
QUALITY CONTROL:	DATE:				
RELEASED:	DATE:				

SCALE: SHEET: 1 OF 1

Schematic #14

ENLARGED LETTERING

REVISION RECORD			
LT#	ECO NO.	APPROVED	DATE



CREST AUDIO

DRAWN		DATE		TITLE	
JRP/TAZ	1/94	MASTER MAIN			
CHECKED	DATE	CODE	SIZE	DRAWING NO.	REV.
QUALITY CONTROL	DATE				
RELEASED	DATE				

MECHANICAL PARTS

SKT1	SKT2	SKT3	SKT4	SKT5
SKT6	SKT7	SKT8	SKT9	SKT10
SKT11				

7601-1000 M1 M2 M3

BRACKET BRACKET BRACKET



6

5

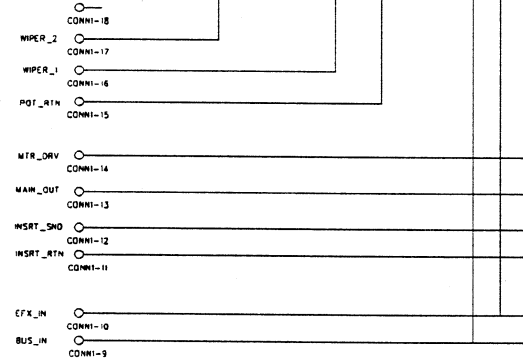
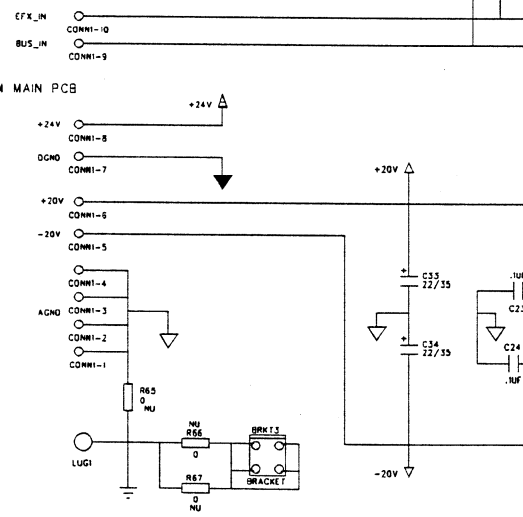
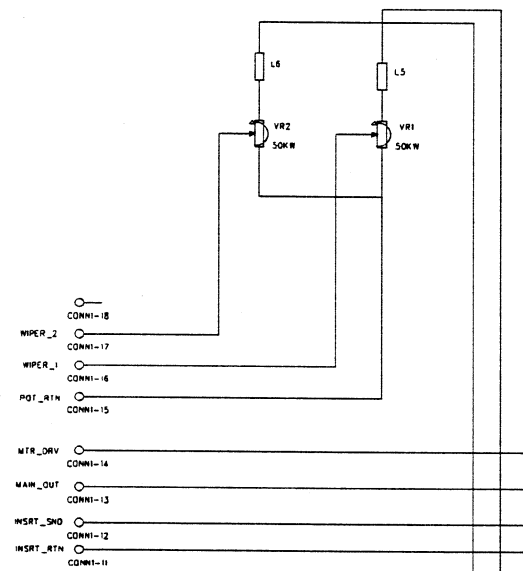
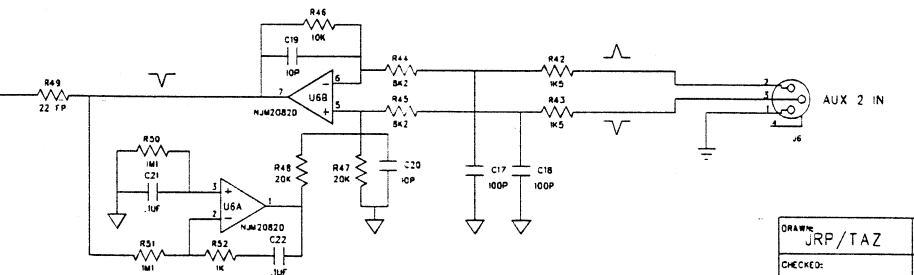
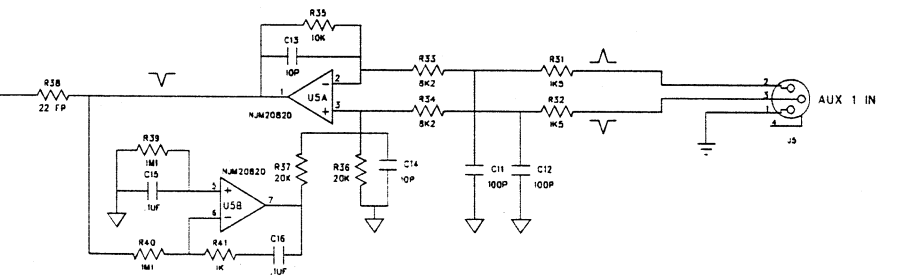
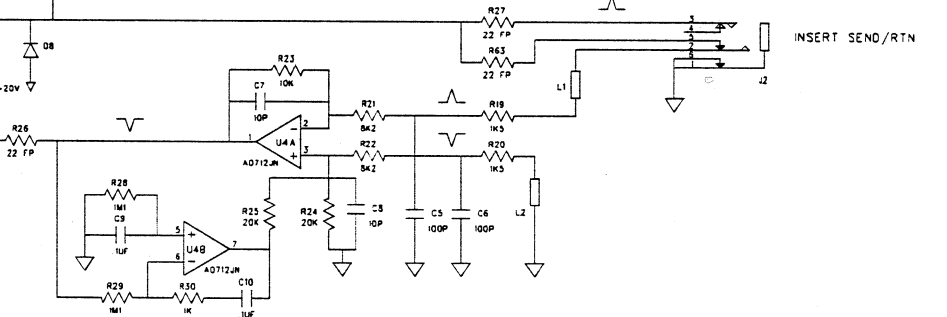
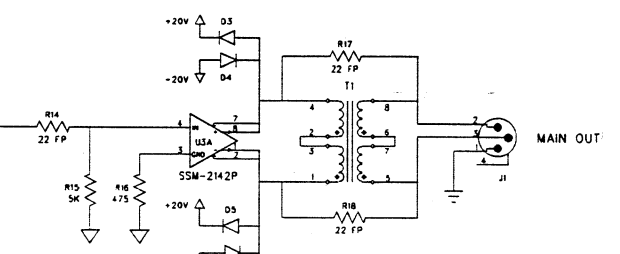
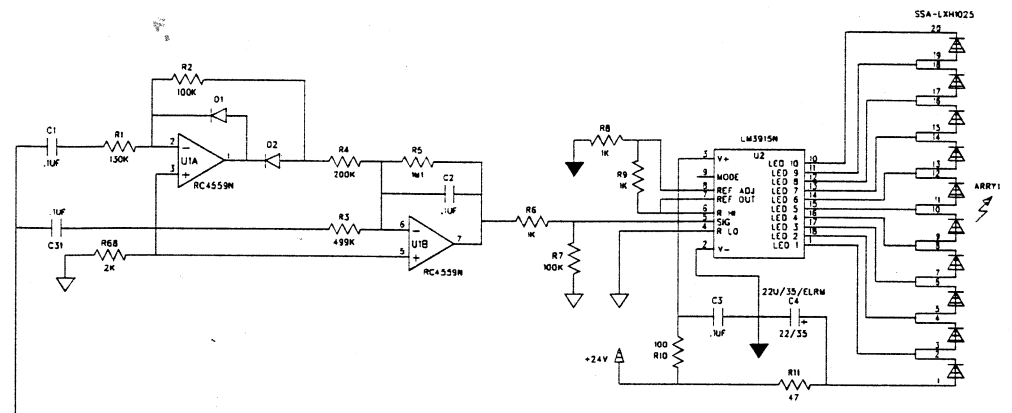
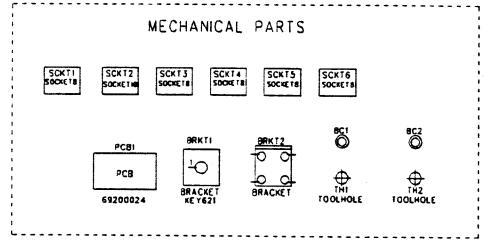
4

3

2

1

REVISION RECORD			
LTN	ECO NO:	APPROVED:	DATE:



DRAWN: JRP/TAZ	DATED: 6/95
CHECKED:	DATED:
QUALITY CONTROL:	DATED:
RELEASED:	DATED:

COMPANY: <b>CRESTAUDIO</b>			
TITLE: GTx MATRIX CONNECTOR PCB			
CODE:	SIZE:	DRAWING NO:	REV:
		7601922-02	
SCALE:	SHEET: 1 OF 1		

Schematic #16

6

5

4

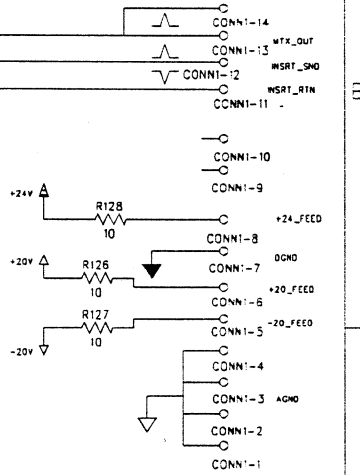
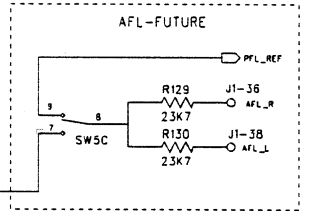
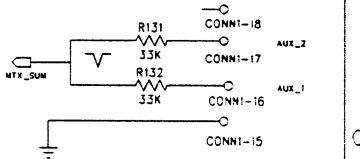
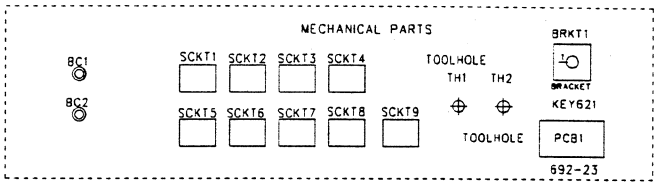
3

2

1

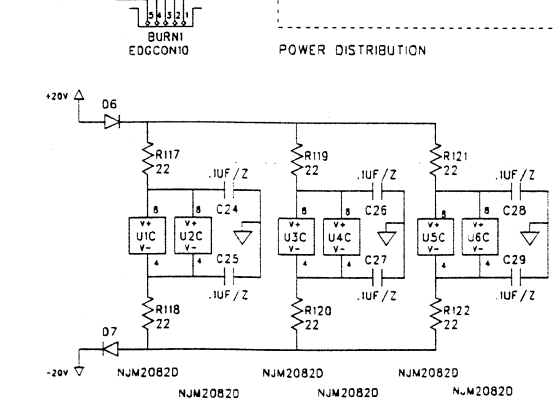
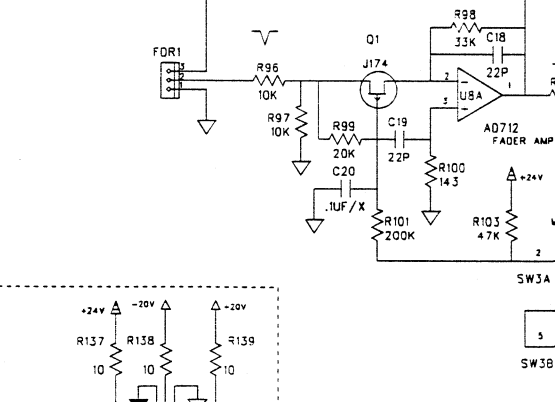
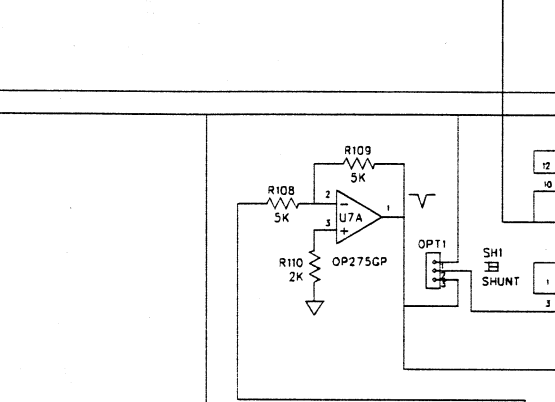
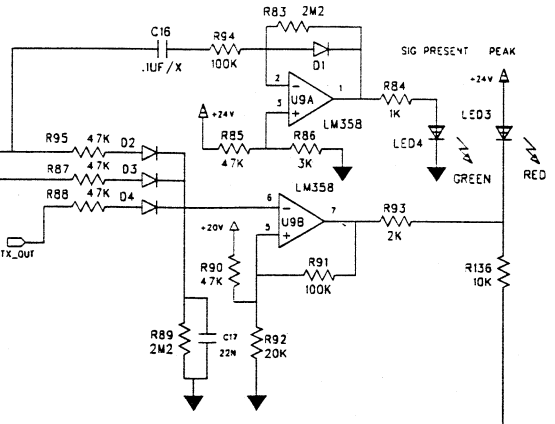
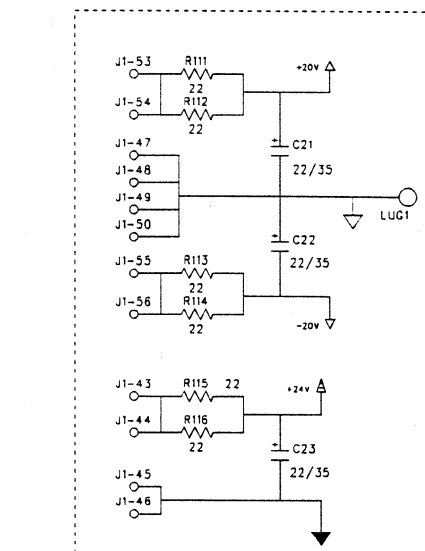
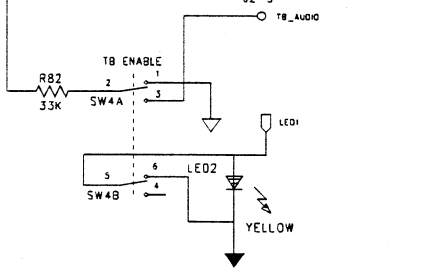
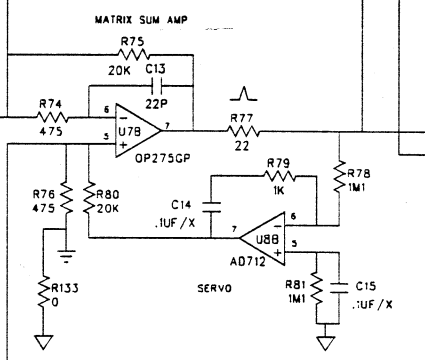
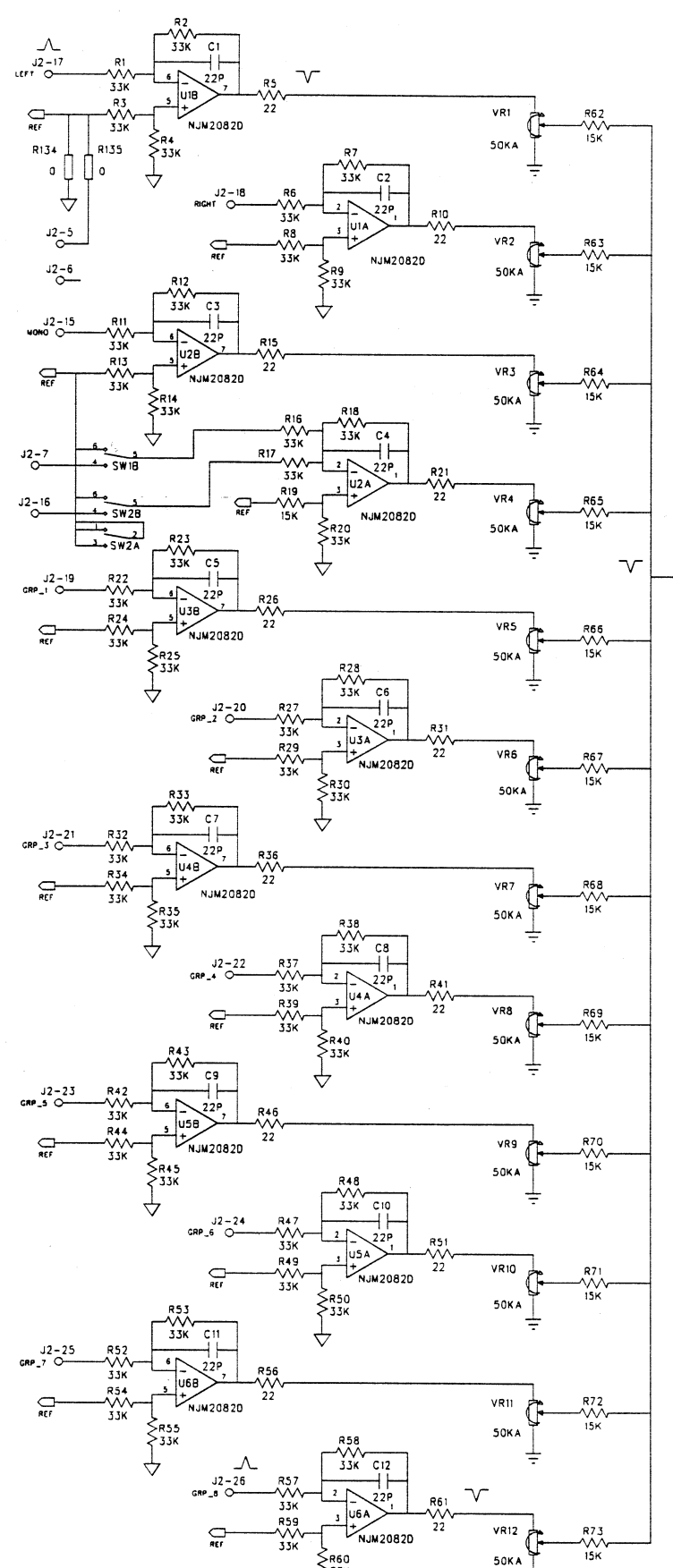
REVISION RECORD			
LT#	ECD NO.	APPROVED:	DATE:
01	R82 REWIRE	JRP	6/8/94

ENLARGED LETTERING



TO/FROM MATRIX CONN PCB 76D1922

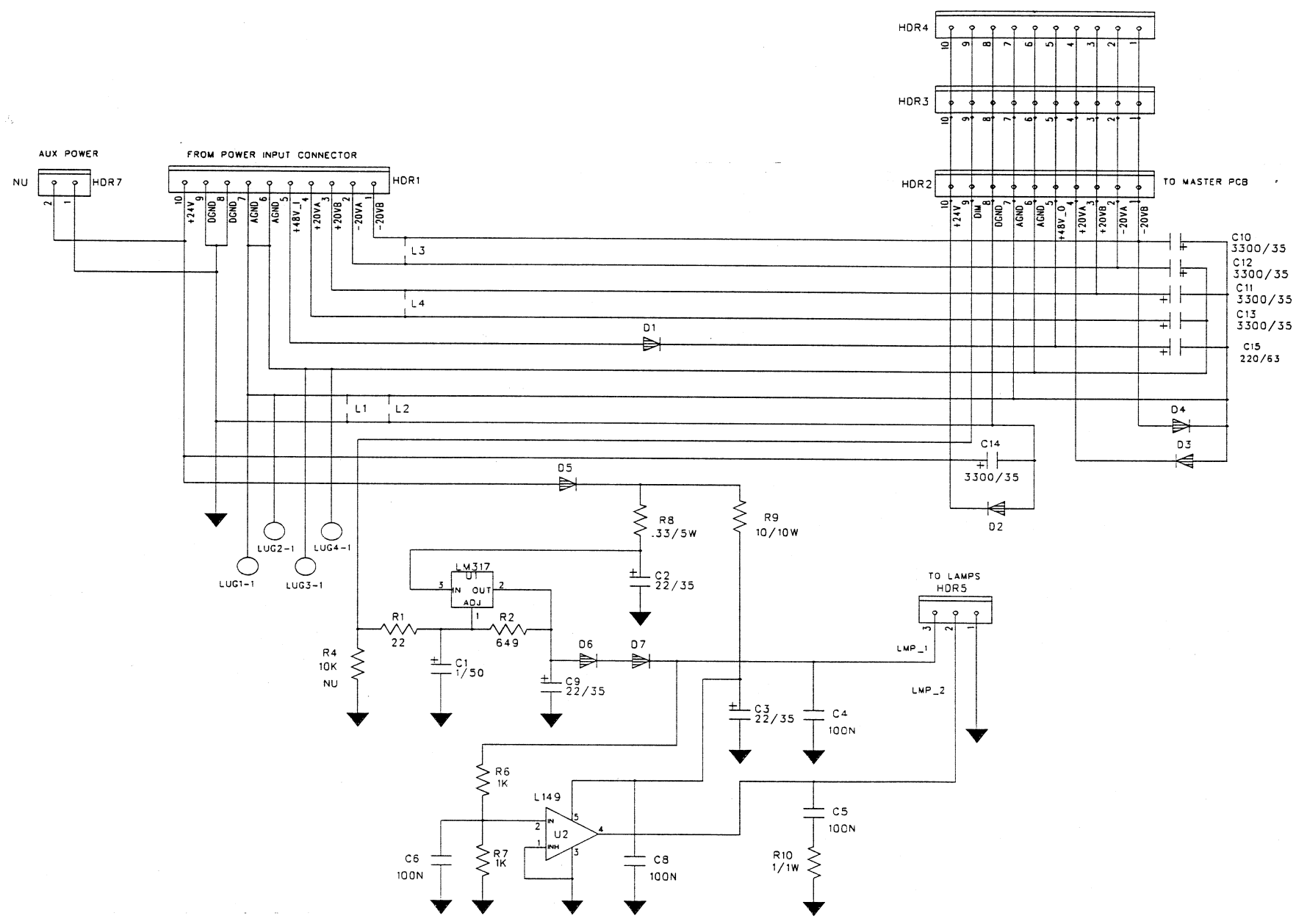
COMPANY: <b>CRESTAUDIO</b>	
TITLE: <b>GTx MATRIX OUTPUT- MAIN PCB</b>	
DRAWN: JRP	DATED: 6/7/94
CHECKED: J LOY	DATED: 4/94
QUALITY CONTROL:	DATED:
RELEASED:	DATED:
CODE:	SIZE:
DRAWING NO: 76D1921-01	REV:
SCALE:	SHEET: 1 of 2



MATRIX FEEDS (-20V) FROM 26 WAY RIBBON (J2)

6 5 4 3 2 1

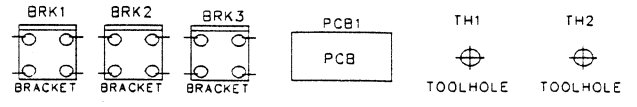
REVISION RECORD			
LTR	ECO NO.	APPROVED:	DATE:



- C10 3300/35
- C12 3300/35
- C11 3300/35
- C13 3300/35
- C15 220/63

COMPANY:  CRESTAUDIO			
TITLE: POWER/DIMMER PCB - CENTURY CONSOLE			
CODE:	SIZE:	DRAWING NO.:	REV.:
SCALE:	SHEET: OF		

DRAWN:	DATED:
CHECKED:	DATED:
QUALITY CONTROL:	DATED:
RELEASED:	DATED:



6

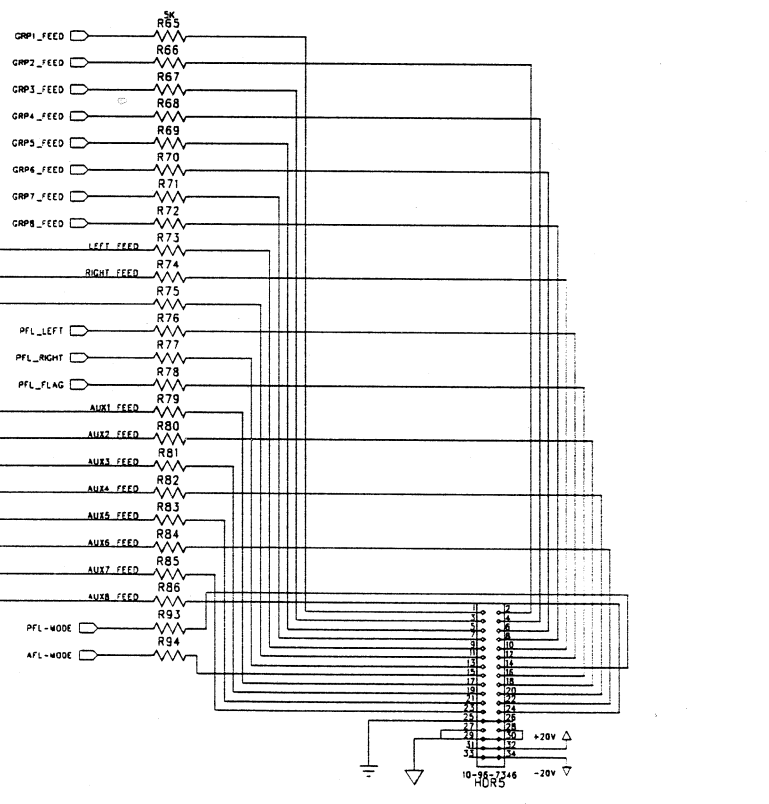
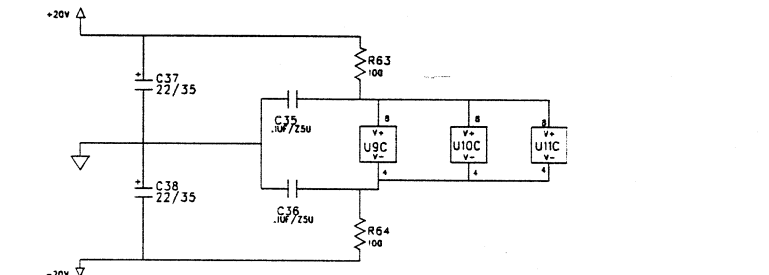
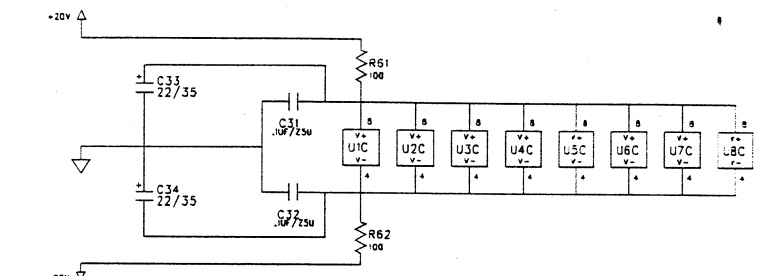
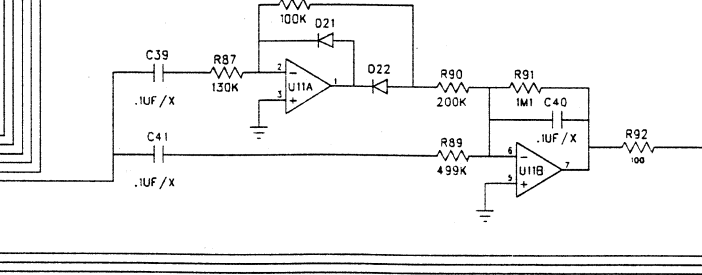
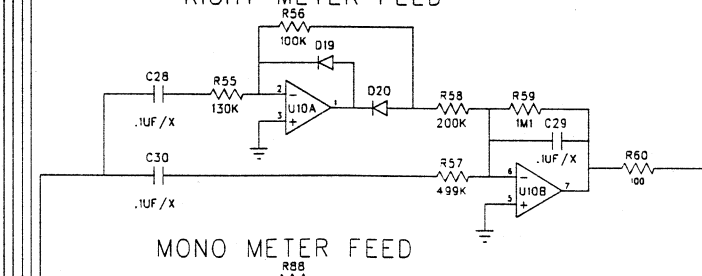
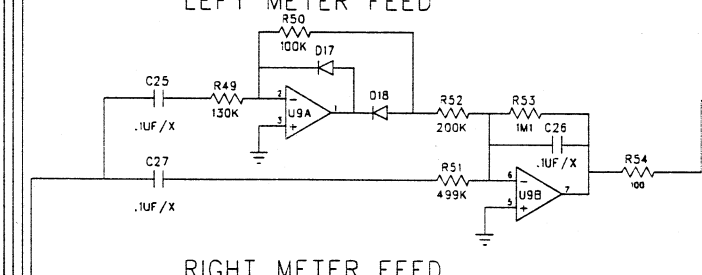
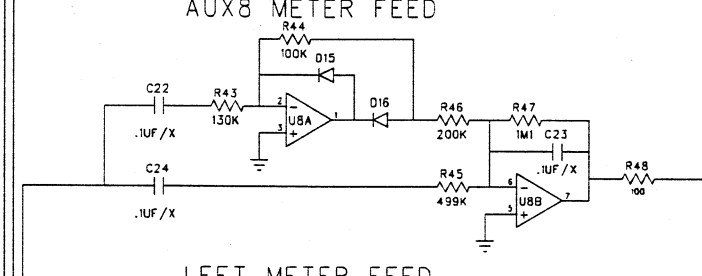
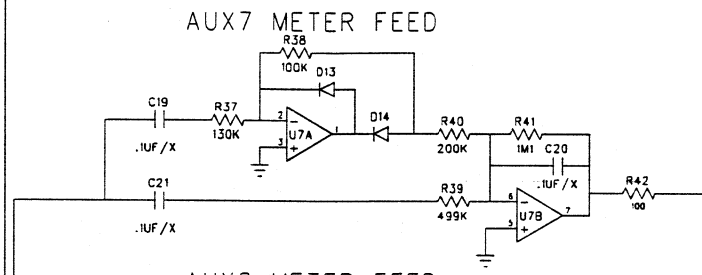
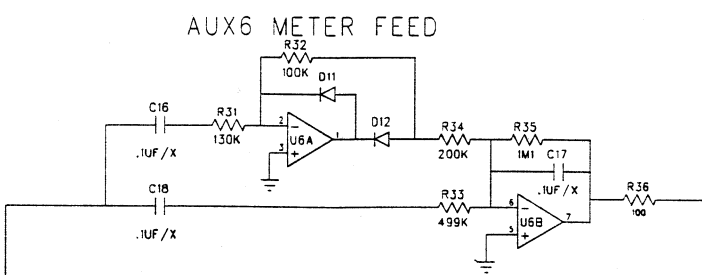
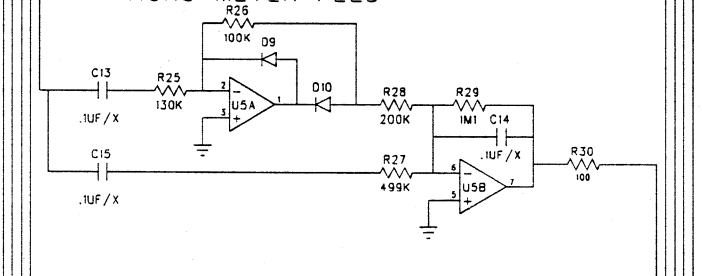
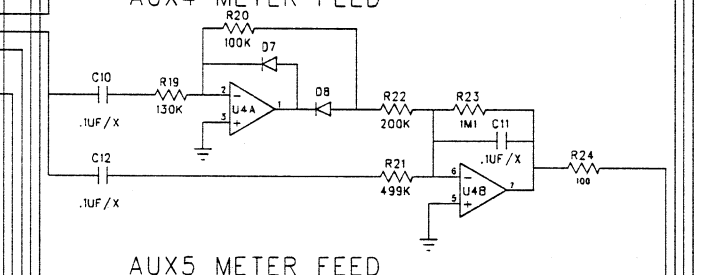
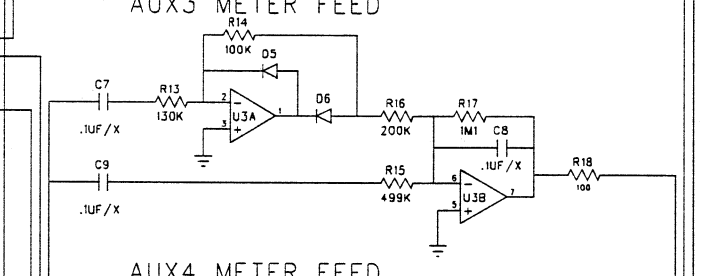
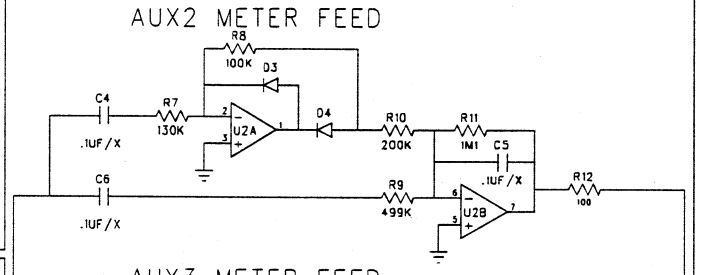
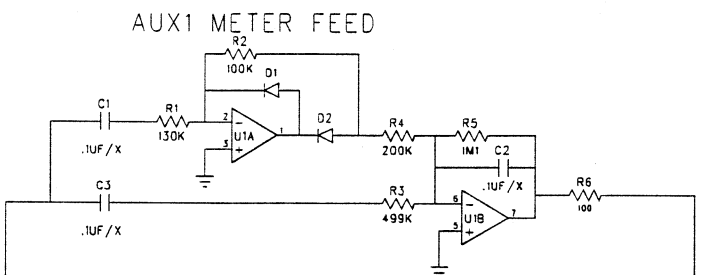
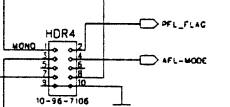
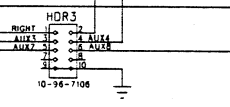
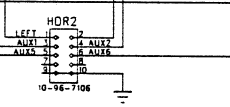
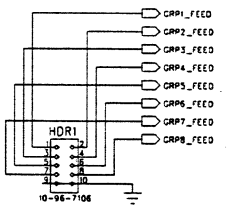
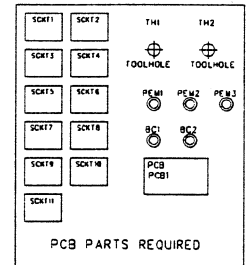
5

4

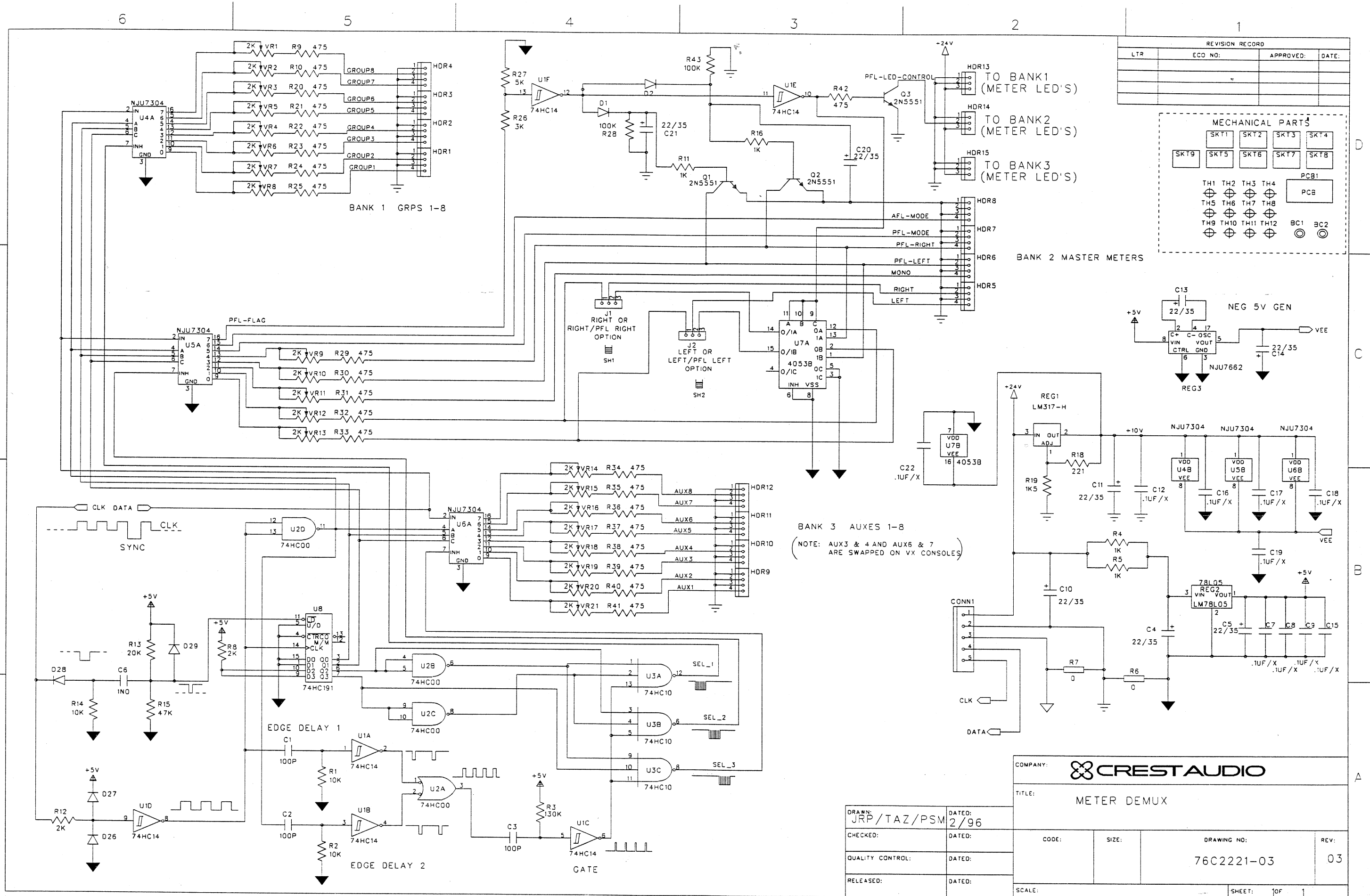
3

2

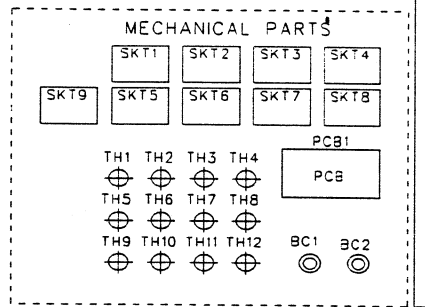
REVISION RECORD			
LT#	ECO NO.	APPROVED:	DATE:



COMPANY: <b>CRESTAUDIO</b>	
TITLE: <b>Meter Driver Board</b>	
DRAWN: TAZ	DATE:
CHECKED:	DATE:
QUALITY CONTROL:	DATE:
RELEASED:	DATE:
CODE:	SIZE:
DRAWING NO:	REV:
SCALE:	SHEET: 2



REVISION RECORD			
LTR	ECO NO:	APPROVED:	DATE:



BANK 2 MASTER METERS

BANK 3 AUXES 1-8  
(NOTE: AUX3 & 4 AND AUX6 & 7 ARE SWAPPED ON VX CONSOLES)

COMPANY: <b>CRESTAUDIO</b>			
TITLE: METER DEMUX			
DRAWN: JRP/TAZ/PSM	DATED: 2/96	CODE:	SIZE:
CHECKED:	DATED:	DRAWING NO: 76C2221-03	REV: 03
QUALITY CONTROL:	DATED:	SCALE:	SHEET: 1 OF 1
RELEASED:	DATED:		

6

5

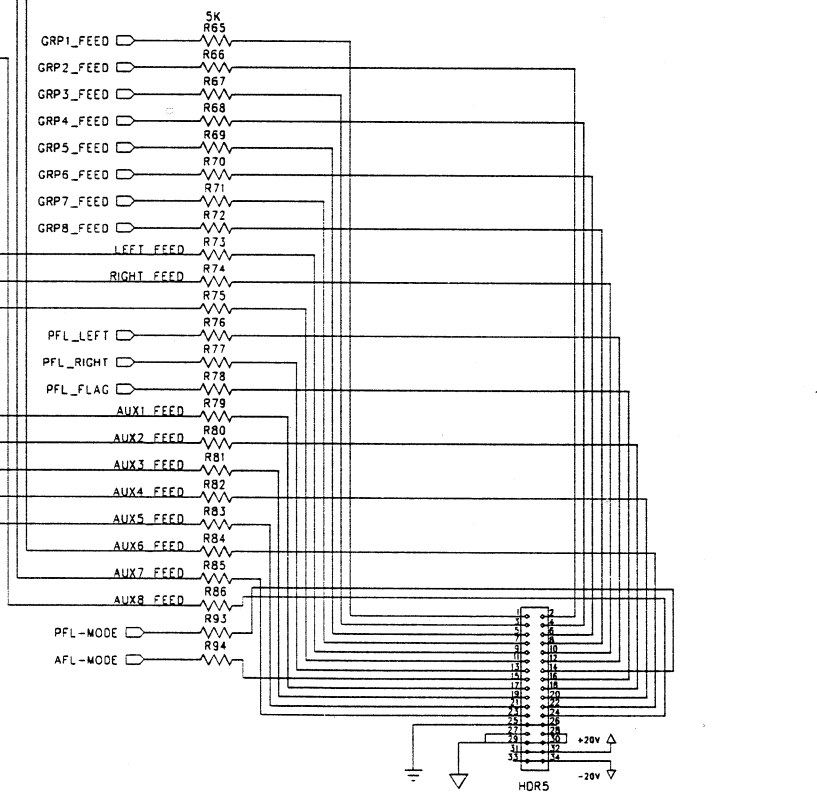
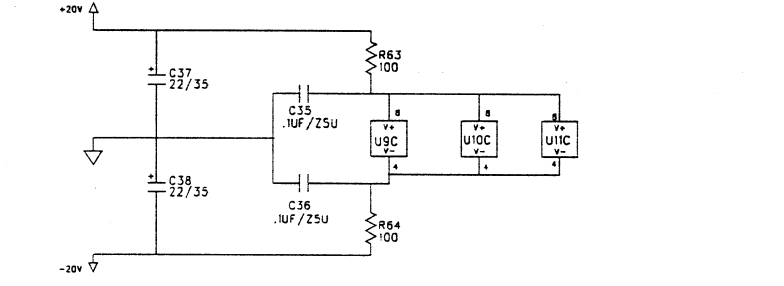
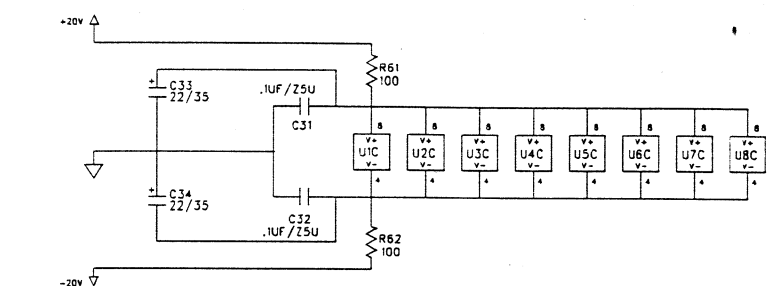
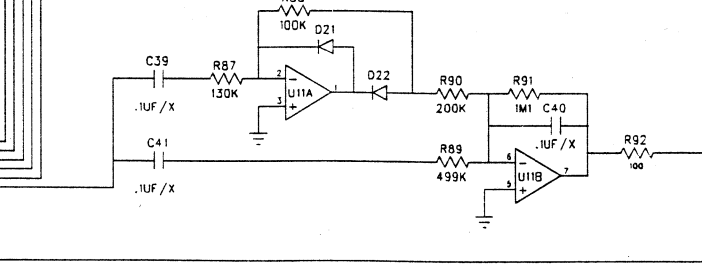
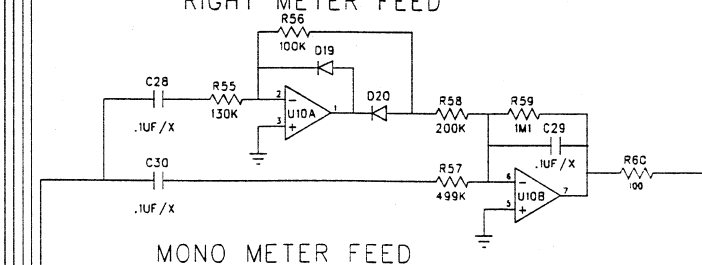
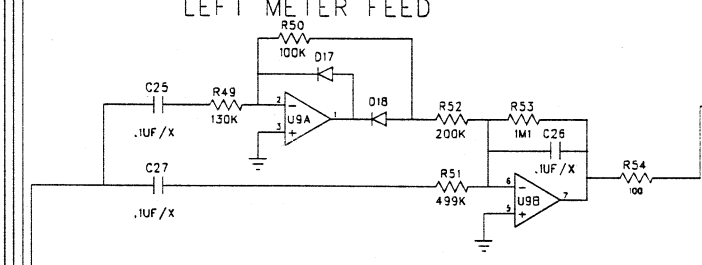
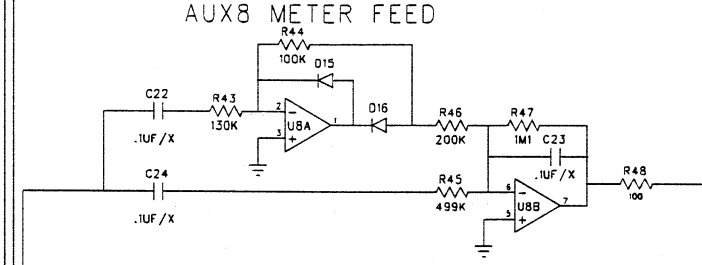
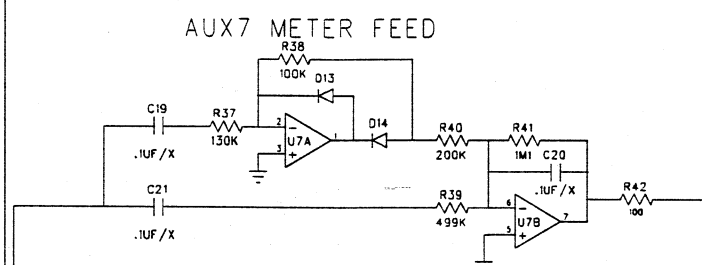
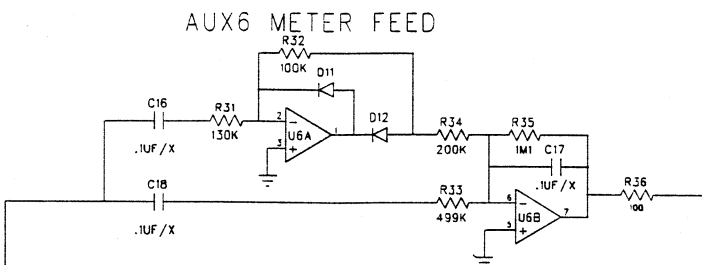
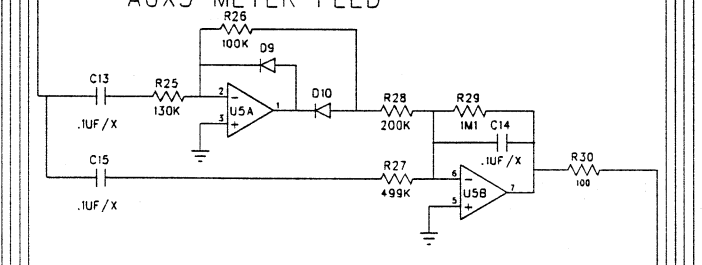
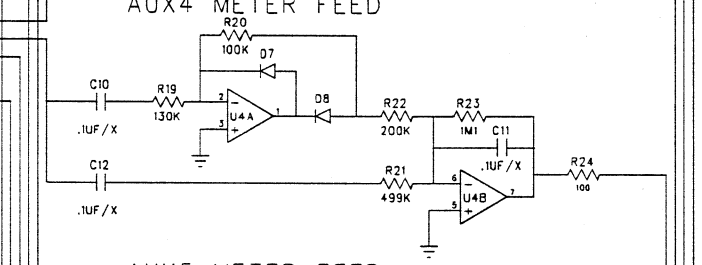
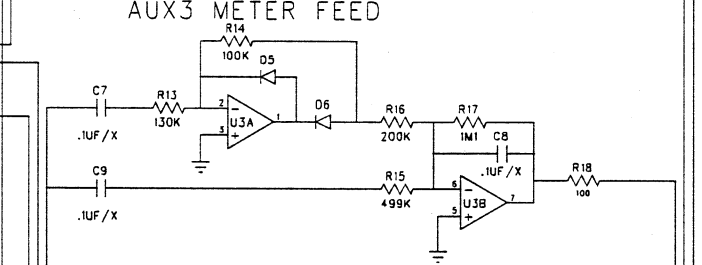
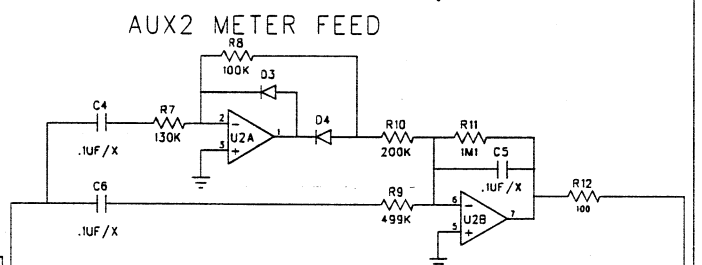
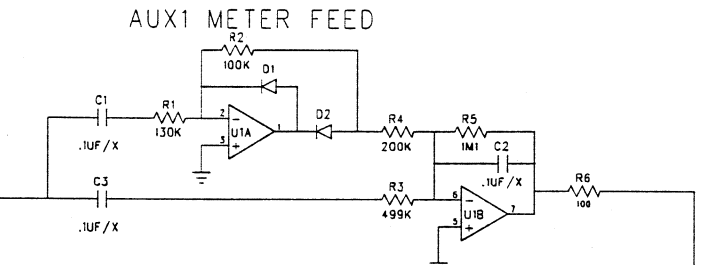
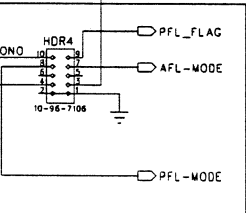
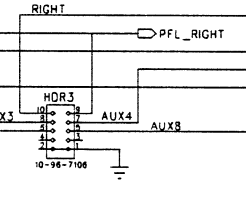
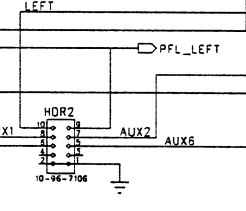
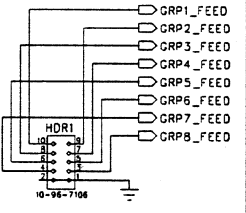
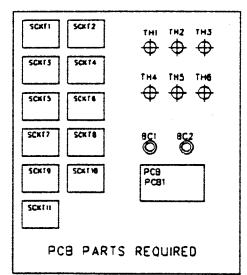
4

3

2

1

REVISION RECORD			
LTR	ECO NO.	APPROVED:	DATE:



COMPANY: CRESTAUDIO

TITLE: Meter Driver Board

DRAWN: TAZ	DATED: 11/94	CODE:	SIZE:	DRAWING NO: 7602135-01	REV:
CHECKED:	DATED:	SCALE:	SHEET: OF		
QUALITY CONTROL:	DATED:				
RELEASED:	DATED:				

6

5

4

3

2

1

OPTION FOR CHAINING UP POWER SUPPLY TO OTHER METER PCB'S

REVISION RECORD			
LTR	ECO NO:	APPROVED:	DATE:

D

D

C

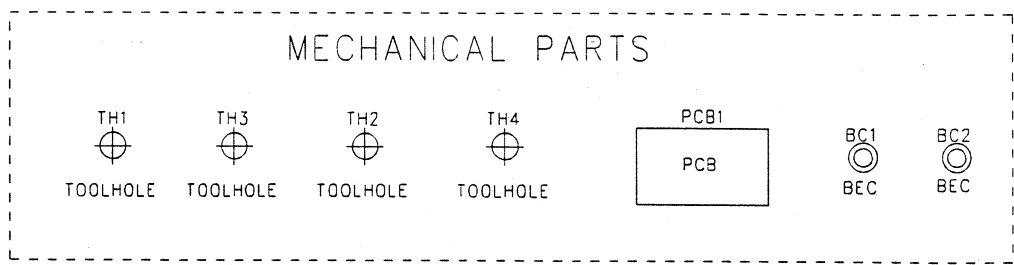
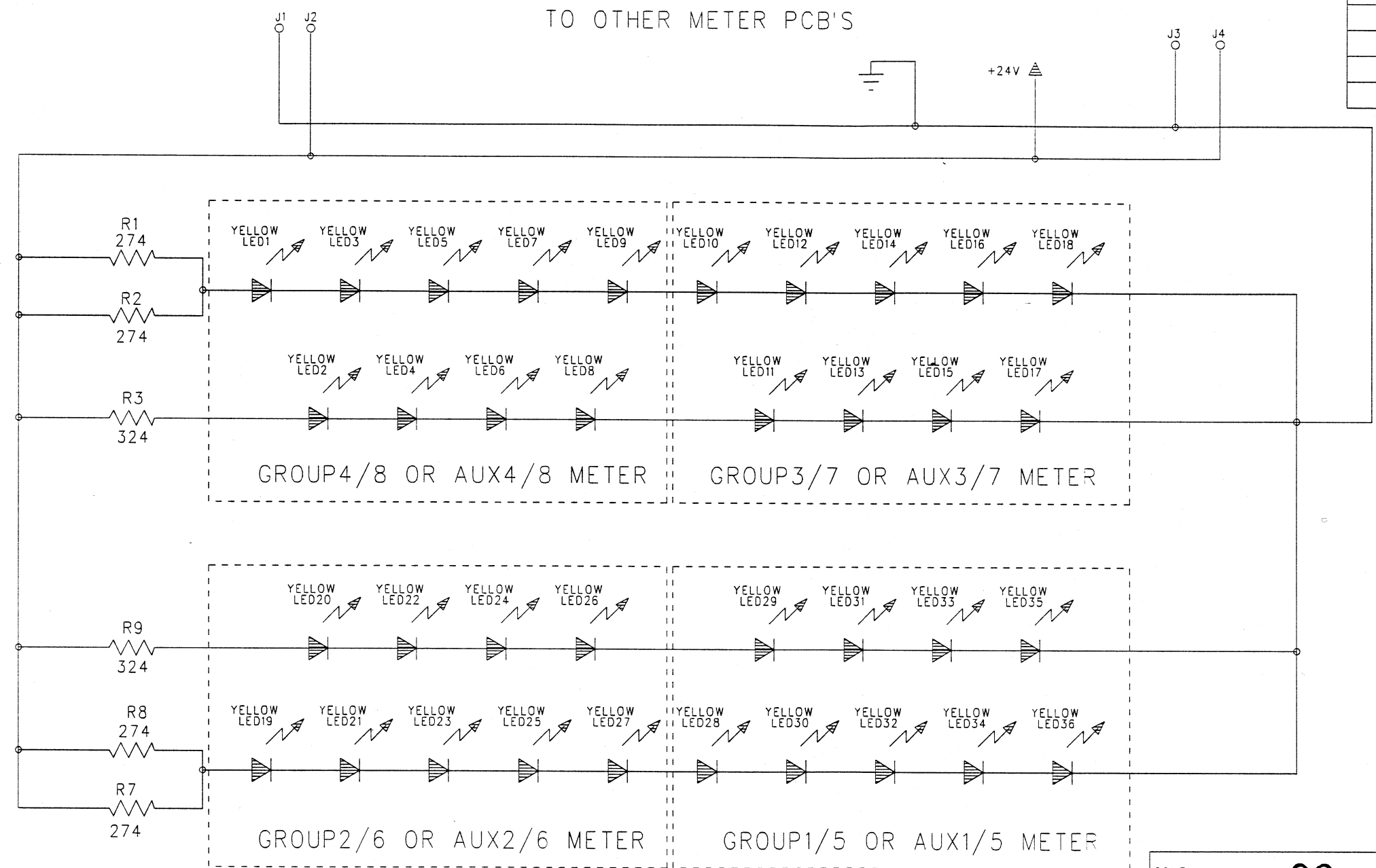
C

B

B

A

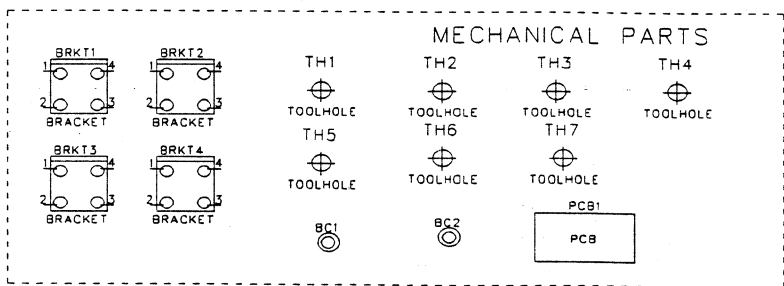
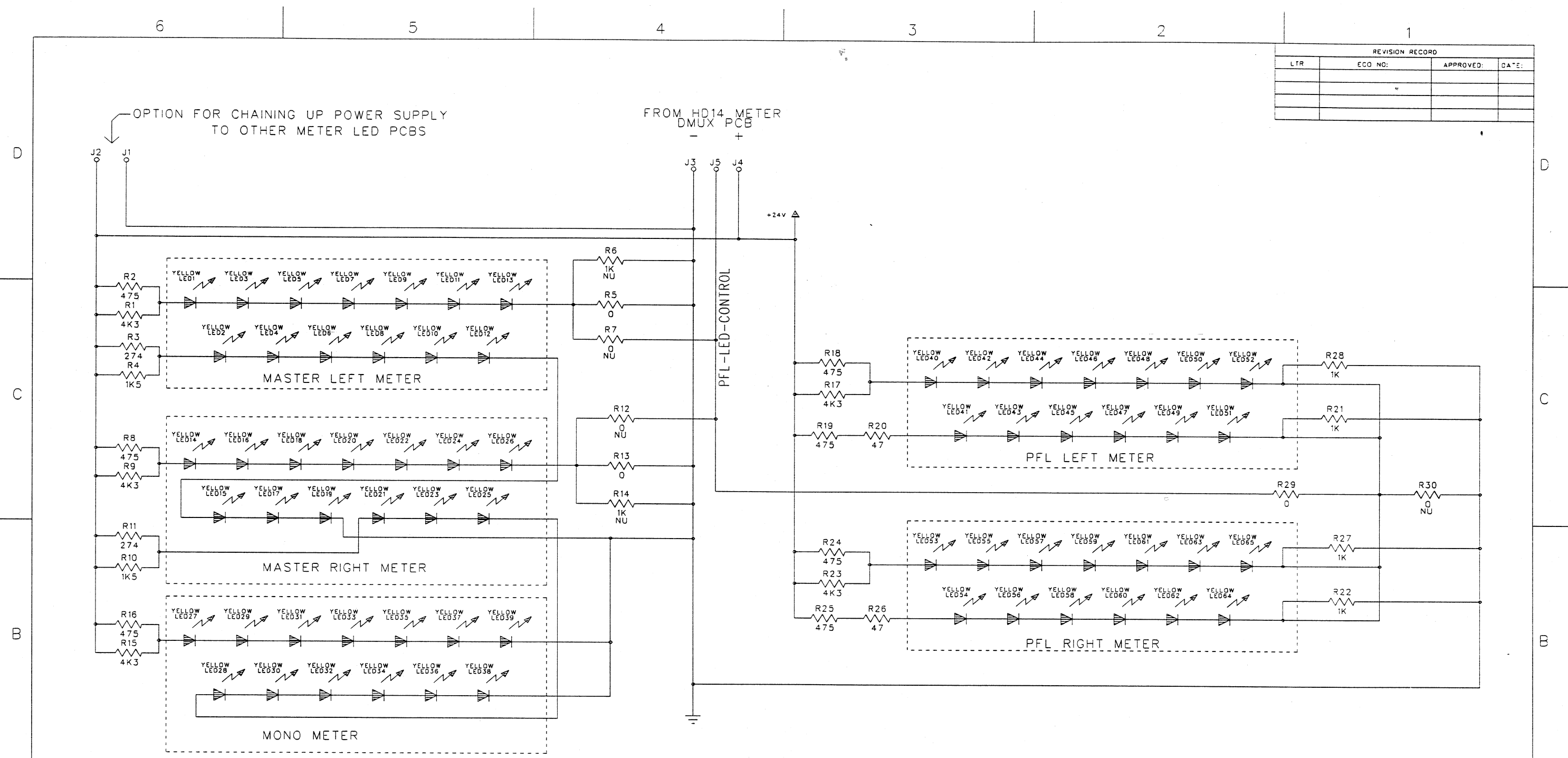
A



DRAWN: TAZ	DATED: 12/94
CHECKED:	DATED:
QUALITY CONTROL:	DATED:
RELEASED:	DATED:

COMPANY: <b>CREST AUDIO</b>			
TITLE: GTX/VX GROUP/AUX METER LED PCB			
CODE:	SIZE:	DRAWING NO: 76B2244-01	REV: 0
SCALE:			SHEET: 1 OF 1

REVISION RECORD			
LTR	ECO NO:	APPROVED:	DATE:



<b>CREST AUDIO</b>			
TITLE: GTX/VX MASTER METERS LED PCB			
DRAWN: TAZ	DATED: 12/94	CODE:	SIZE: C
CHECKED:	DATED:	DRAWING NO: 76C2245-01	REV: 1
QUALITY CONTROL:	DATED:	SCALE:	
RELEASED:	DATED:	SHEET: 1 OF 1	



6

5

4

3

2

1

OPTION FOR CHAINING UP POWER SUPPLY TO OTHER METER LED PCBs

REVISION RECORD			
LTR	ECO NO:	APPROVED:	DATE:

D

D

C

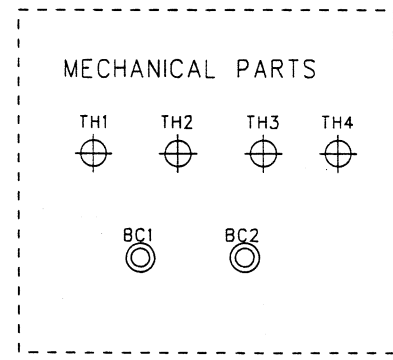
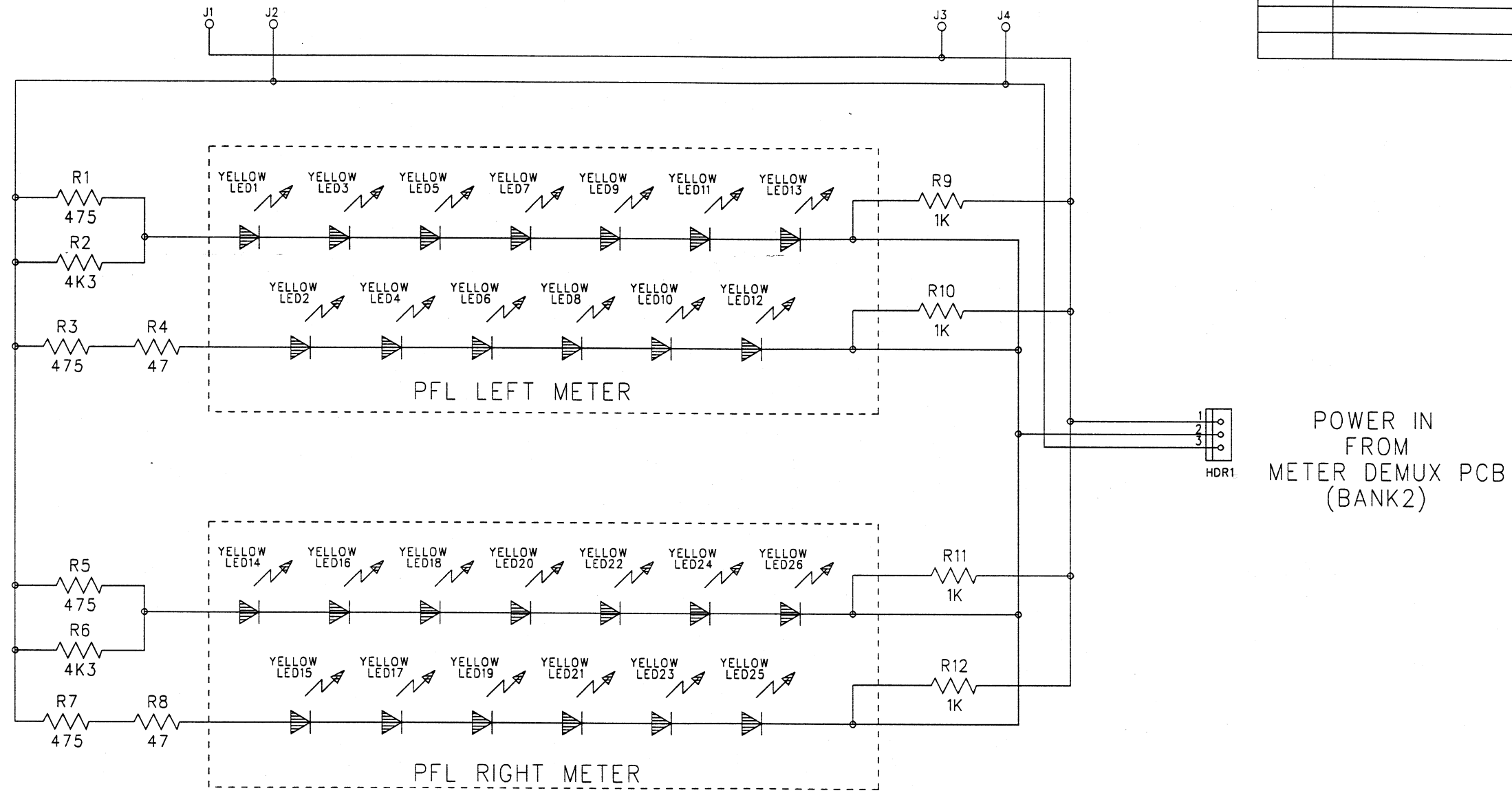
C

B

B

A

A



COMPANY: <b>CREST AUDIO</b>			
TITLE: PFL METERS LED PCB			
DRAWN: TAZ	DATED: 10/94	CODE:	REV: 0
CHECKED:	DATED:	SIZE:	DRAWING NO: 76B2246-00
QUALITY CONTROL:	DATED:	SHEET: 1 OF 1	
RELEASED:	DATED:	SCALE:	