

6

5

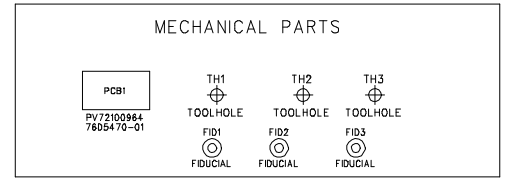
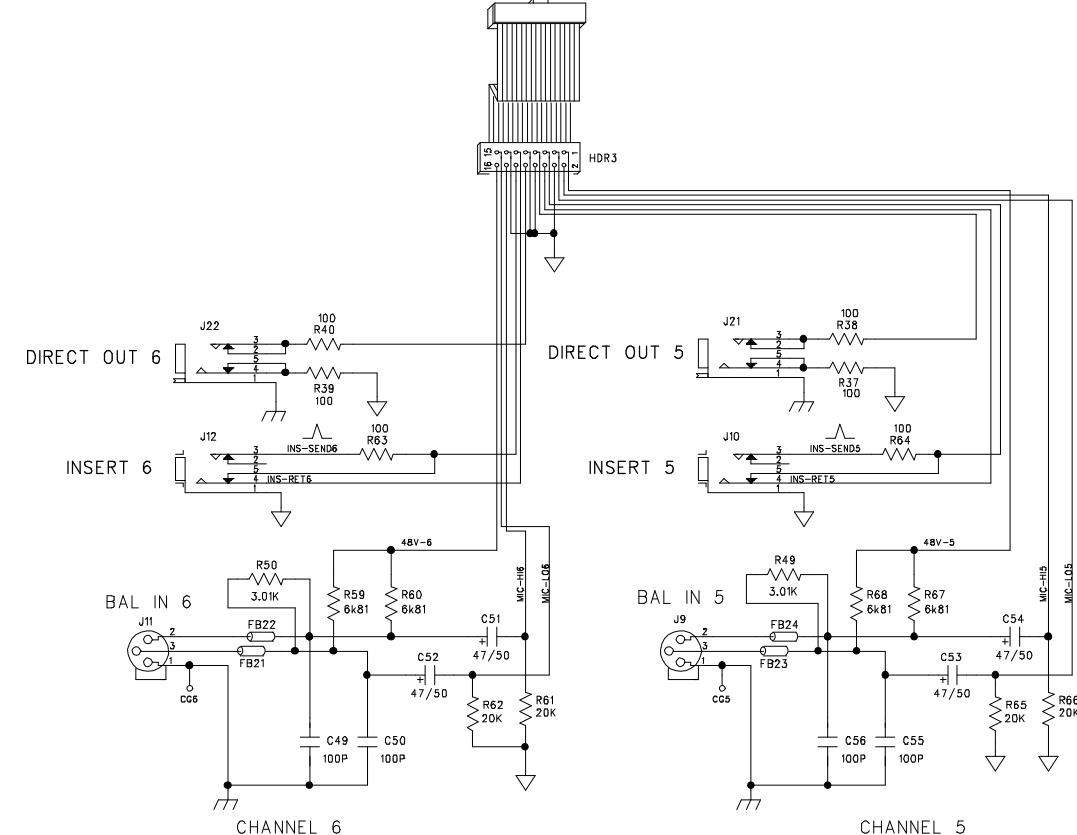
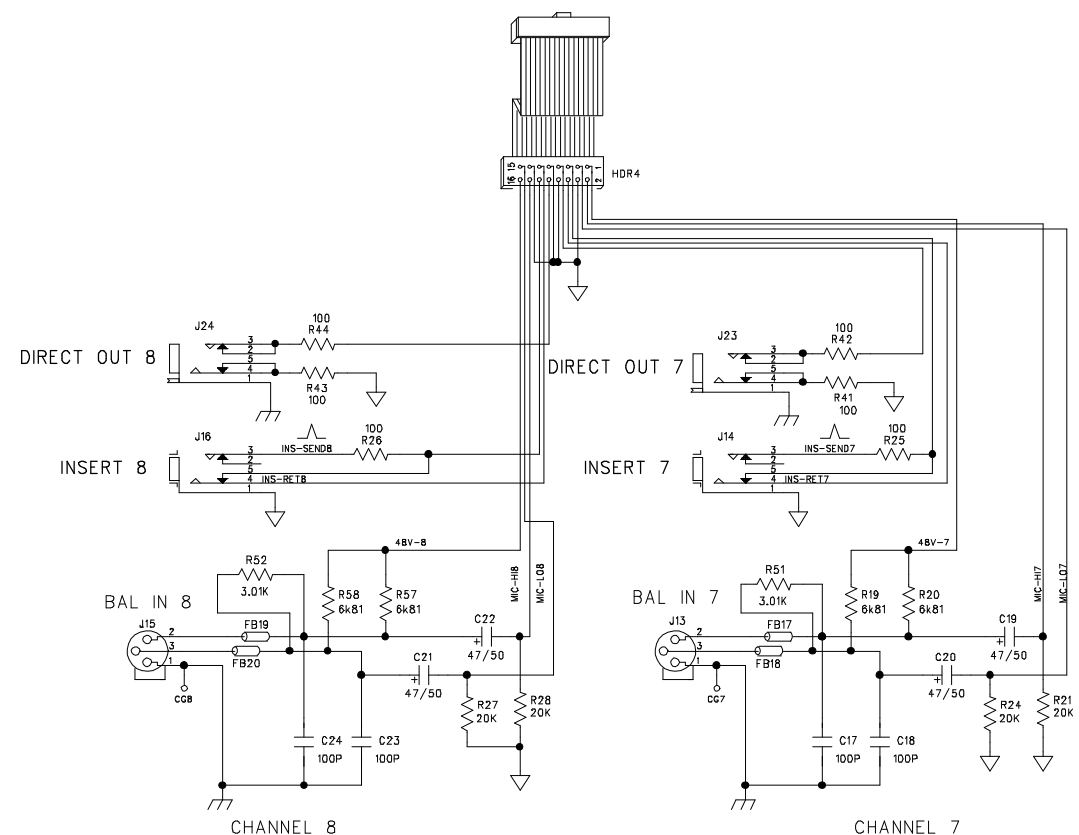
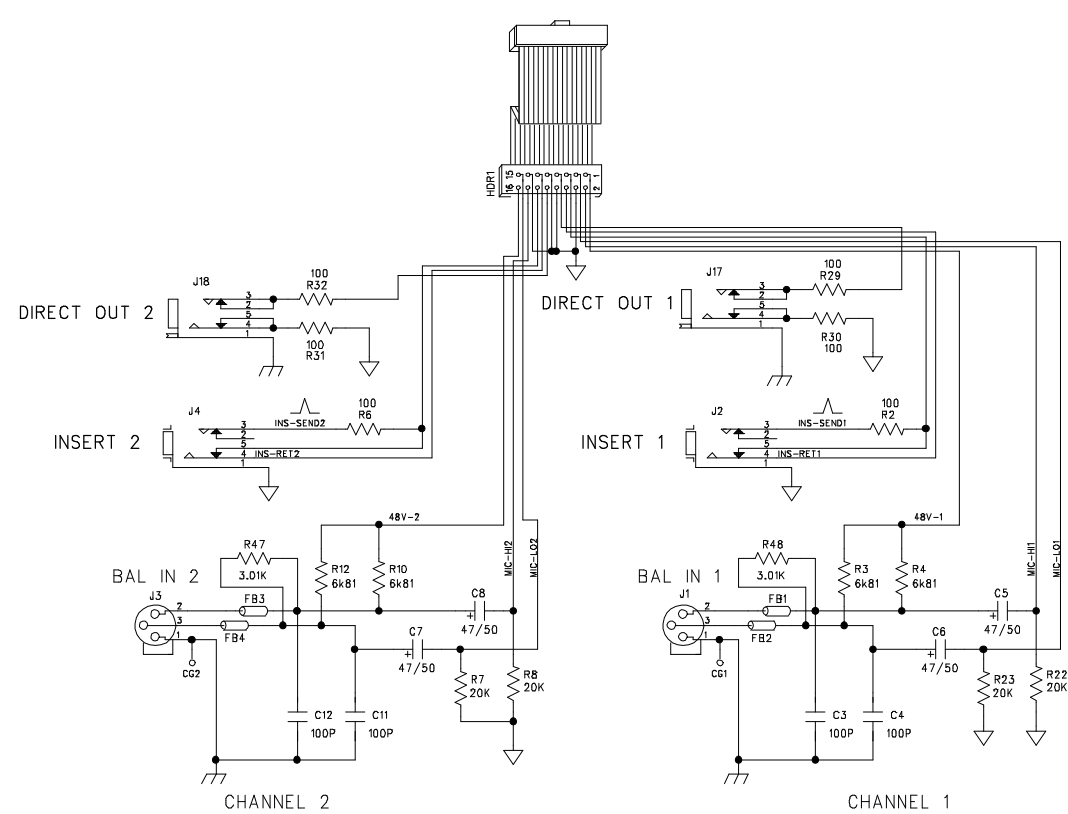
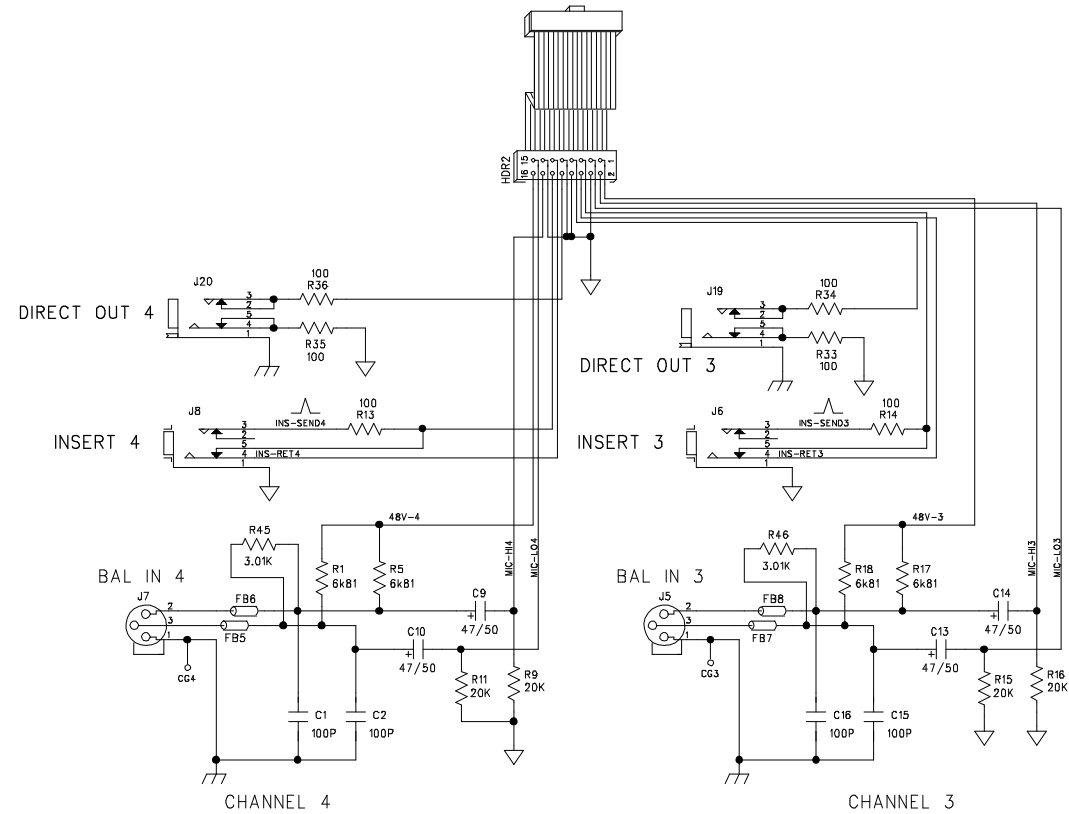
4

3

2

1

REVISION RECORD			
LTR	ECO NO:	APPROVED:	DATE:



COMPANY: CRESTAUDIO	
TITLE: HP-8 INPUT CONNECTOR PCB	
ORG DRAWN: TAZ	DATED: 1/24/04
CHECKED:	DATED:
CLUR REV DRAWN:	DATED:
RELEASED:	DATED:
CODE: D	SIZE: D
DRAWING NO: 76D5470	REV: 01
FILE NAME: HPINPCN1.SCH	SCALE: 1
SHEET: 1 OF 2	

ORG DRAWN: TAZ	DATED: 1/24/04
CHECKED:	DATED:
CLUR REV DRAWN:	DATED:
RELEASED:	DATED:

6

5

4

3

2

1

REVISION RECORD			
LTR	ECO NO:	APPROVED:	DATE:

REVISION RECORD					
REV LEVEL	ASMBLY LEVEL	DATE	ECO	ENG.	DESCRIPTION
A	A	9/03		TAZ	PROTOTYPE PCB
B	A	10/21/03	DCO 1333	TAZ	CHANGE REVISION FROM A TO B OSCILLATION IN MIC PRE AT FULL GAIN DUE TO LAYOUT. (CAUSED BY INSERT RET SIG) ADDED R45 TO R52 (3K01)
0	A				RELEASE TO PRODUCTION
1	A	2/23/04		JP	ADD GND-PIN CONNECTION TO EACH XLR FOOTPRINT. ALLOWS NC3FAV-2 JACK TO BE USED AS WELL AS NC3FAV-1 JACK

D

D

C


C

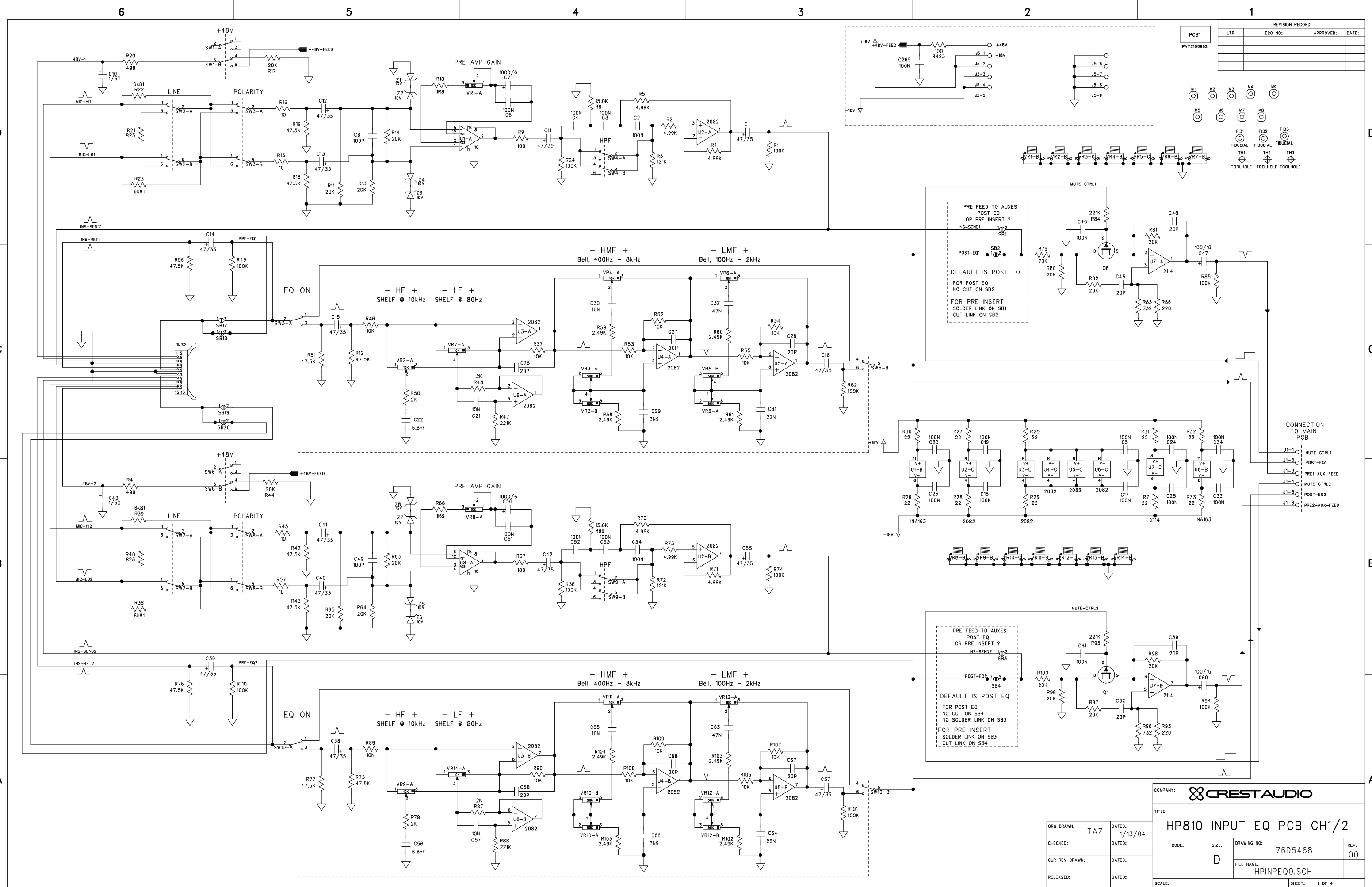
B

B

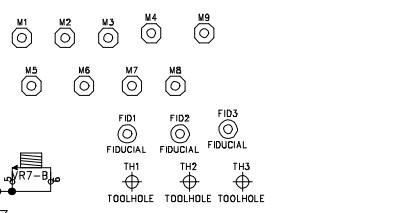
A

A

ORG DRAWN: TAZ		DATED: 1/24/04		COMPANY: 	
CHECKED:		DATED:		TITLE: HP810 INPUT CONNECTOR PCB	
CUR REV DRAWN:		DATED:		CODE: D	SIZE: D
RELEASED:		DATED:		DRAWING NO: 76D5470	REV: 01
SCALE:				FILE NAME: HPINPCN1.SCH	
				SHEET: 2 OF 2	



REVISION RECORD			
LTR	ECO NO:	APPROVED:	DATE:



PRE FEED TO AUXES
POST EQ
OR PRE INSERT ?
INS-SEND1
POST-EQ1
SB2

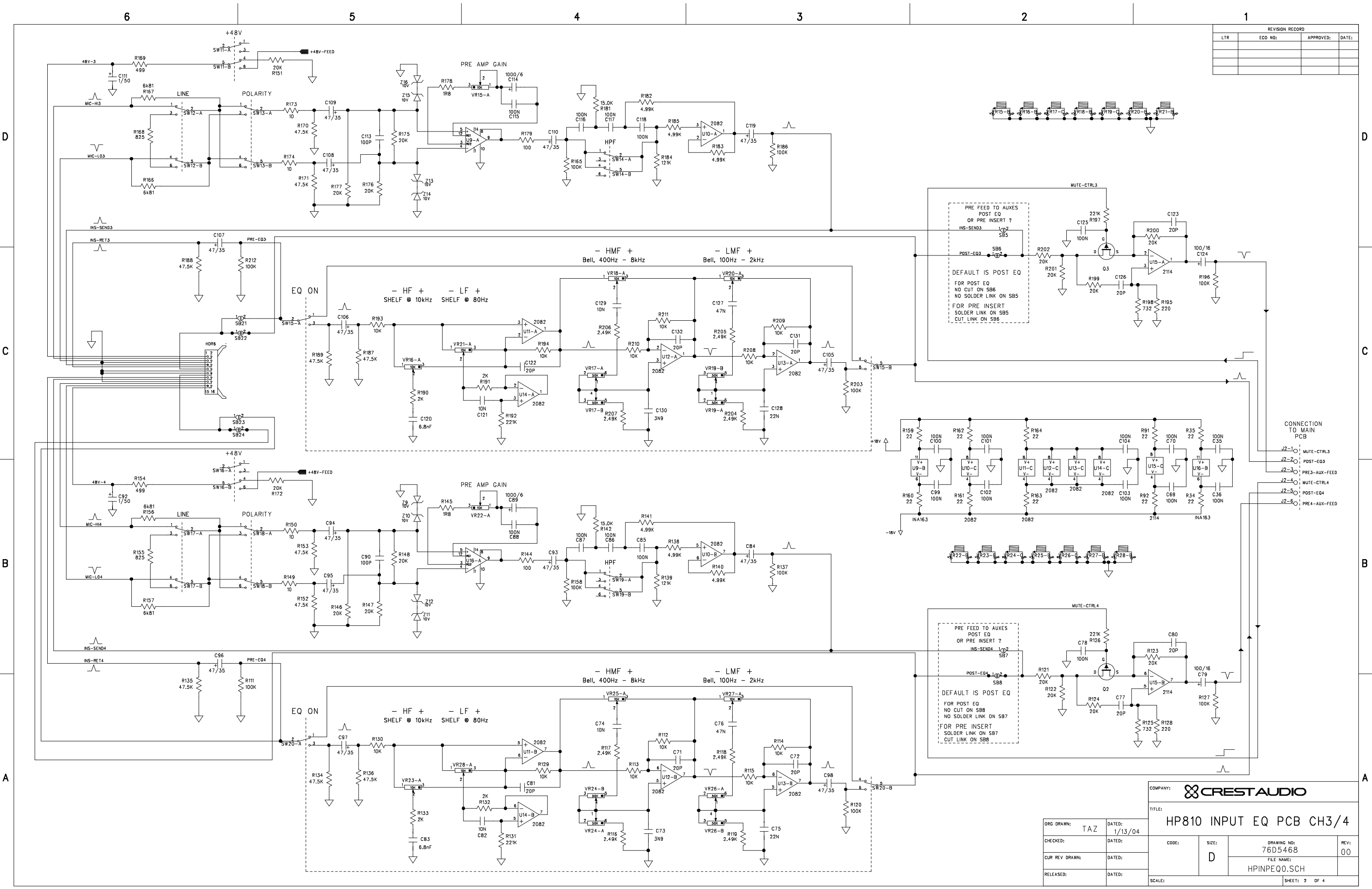
DEFAULT IS POST EQ
FOR POST EQ
NO CUT ON SB2
FOR PRE INSERT
SOLDER LINK ON SB1
CUT LINK ON SB2

PRE FEED TO AUXES
POST EQ
OR PRE INSERT ?
INS-SEND2
POST-EQ2
SB4

DEFAULT IS POST EQ
FOR POST EQ
NO CUT ON SB4
NO SOLDER LINK ON SB3
FOR PRE INSERT
SOLDER LINK ON SB3
CUT LINK ON SB4

COMPANY: CRESTAUDIO		TITLE: HP810 INPUT EQ PCB CH1/2	
ORG DRAWN: TAZ	DATED: 1/13/04	CODE: D	SIZE: 76D5468
CHECKED:	DATED:	FILE NAME: HPINPEQ0.SCH	REV: 00
CUR REV DRAWN:	DATED:	SCALE:	SHEET: 1 OF 4
RELEASED:	DATED:		

REVISION RECORD			
LTR	ECO NO:	APPROVED:	DATE:



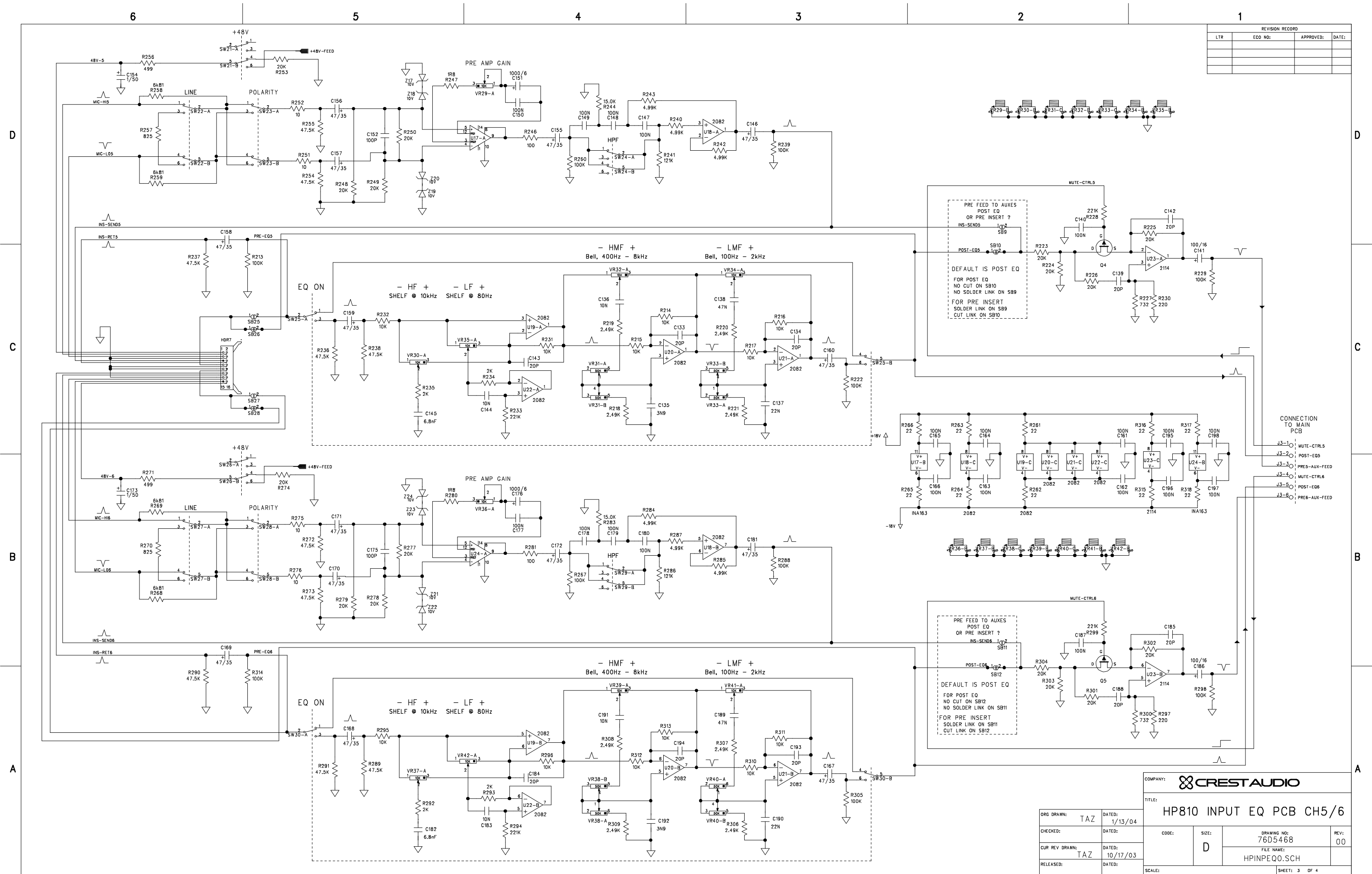
COMPANY: **CRESTAUDIO**

TITLE: **HP810 INPUT EQ PCB CH3/4**

ORG DRAWN: TAZ	DATED: 1/13/04	CODE:	SIZE: D	DRAWING NO: 76D5468	REV: 00
CUR REV DRAWN:	DATED:			FILE NAME: HPINPEQ0.SCH	
RELEASED:	DATED:				

SCALE: SHEET: 2 OF 4

REVISION RECORD			
LTR	ECO NO:	APPROVED:	DATE:



PRE FEED TO AUXES
POST EQ
OR PRE INSERT ?
INS-SENDS SB9

DEFAULT IS POST EQ
FOR POST EQ
NO CUT ON SB10
NO SOLDER LINK ON SB9

FOR PRE INSERT
SOLDER LINK ON SB9
CUT LINK ON SB10

PRE FEED TO AUXES
POST EQ
OR PRE INSERT ?
INS-SENDS SB11

DEFAULT IS POST EQ
FOR POST EQ
NO CUT ON SB12
NO SOLDER LINK ON SB11

FOR PRE INSERT
SOLDER LINK ON SB11
CUT LINK ON SB12

COMPANY: **CRESTAUDIO**

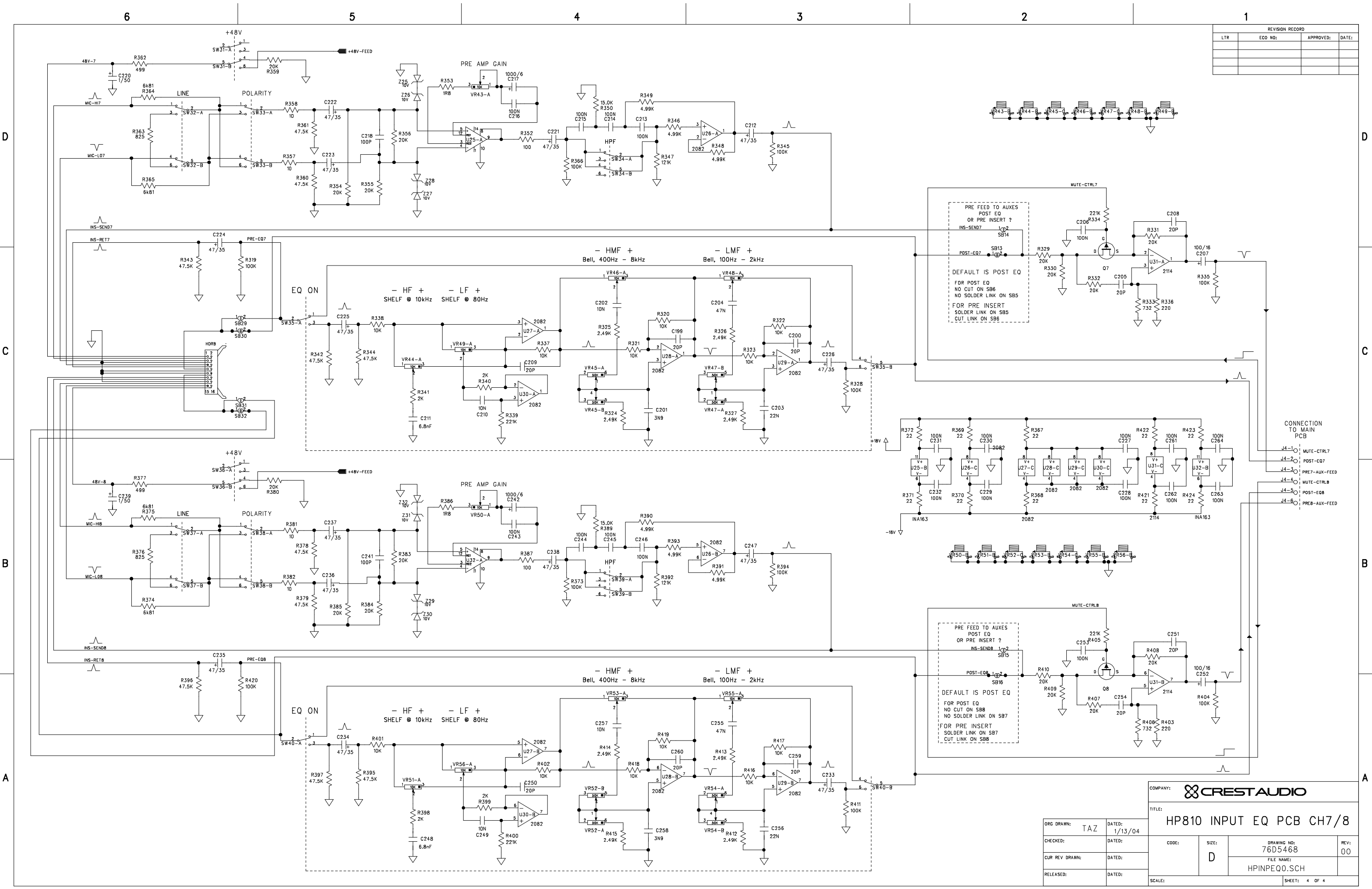
TITLE: **HP810 INPUT EQ PCB CH5/6**

ORG DRAWN: TAZ	DATED: 1/13/04	DRAWING NO: 76D5468	REV: 00
CHECKED: TAZ	DATED: 10/17/03	FILE NAME: HPINPEQ0.SCH	
CUR REV DRAWN: TAZ	DATED: 10/17/03		
RELEASED:	DATED:		

CODE: D SIZE: D SCALE:

SHEET: 3 OF 4

REVISION RECORD			
LTR	ECO NO:	APPROVED:	DATE:



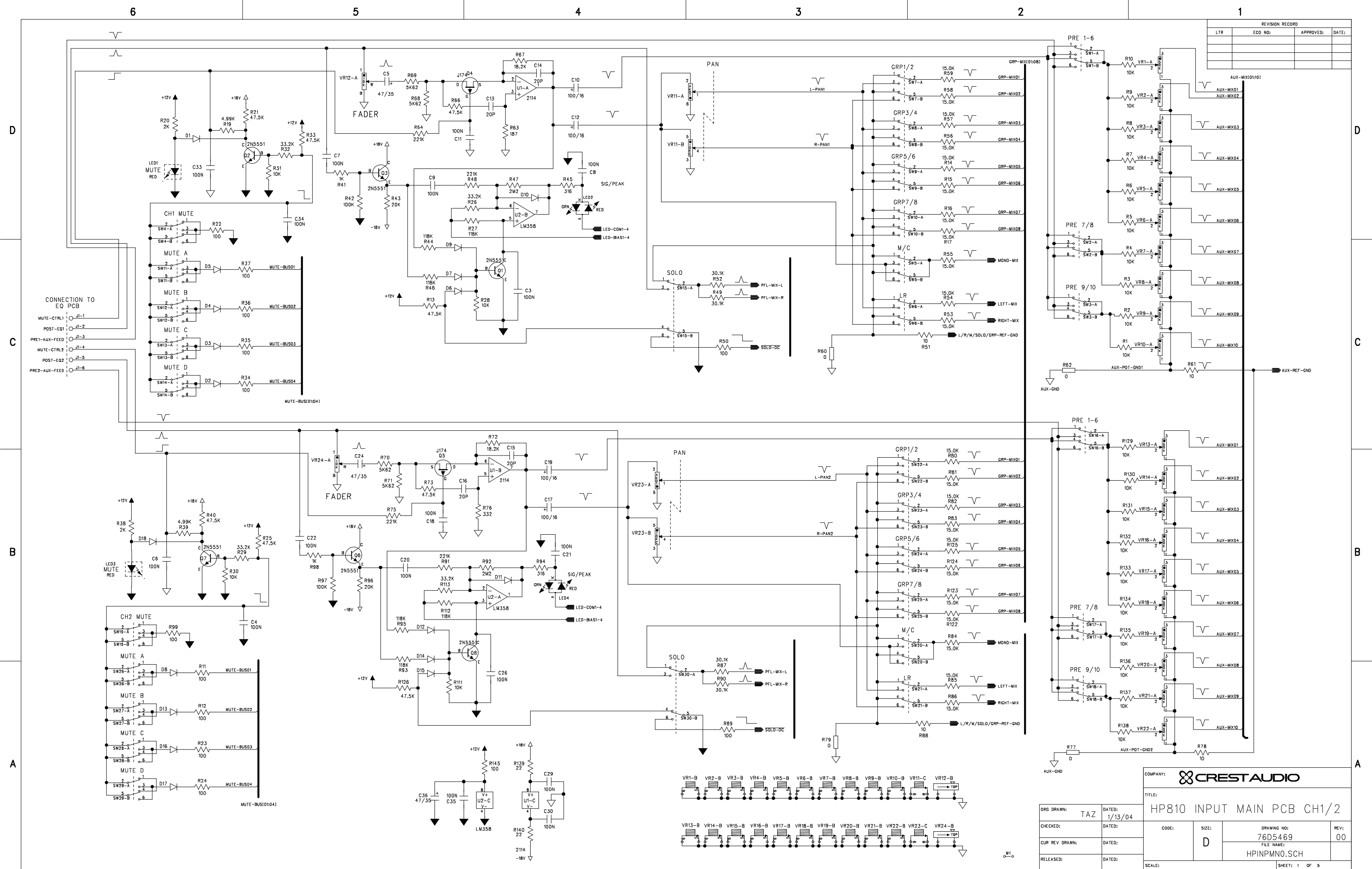
- CONNECTION TO MAIN PCB
- J4-1 MUTE-CTRL7
 - J4-2 POST-EQ7
 - J4-3 PRE7-AUX-FEED
 - J4-4 MUTE-CTRLB
 - J4-5 POST-EQB
 - J4-6 PREB-AUX-FEED

COMPANY: **CRESTAUDIO**

TITLE: **HP810 INPUT EQ PCB CH7/8**

ORG DRAWN: TAZ	DATED: 1/13/04	CODE:	SIZE: D	DRAWING NO: 76D5468	REV: 00
CUR REV DRAWN:	DATED:	FILE NAME: HPINPEQ0.SCH	SCALE:	SHEET: 4 OF 4	

REVISION RECORD			
LTR	ECO NO:	APPROVED:	DATE:



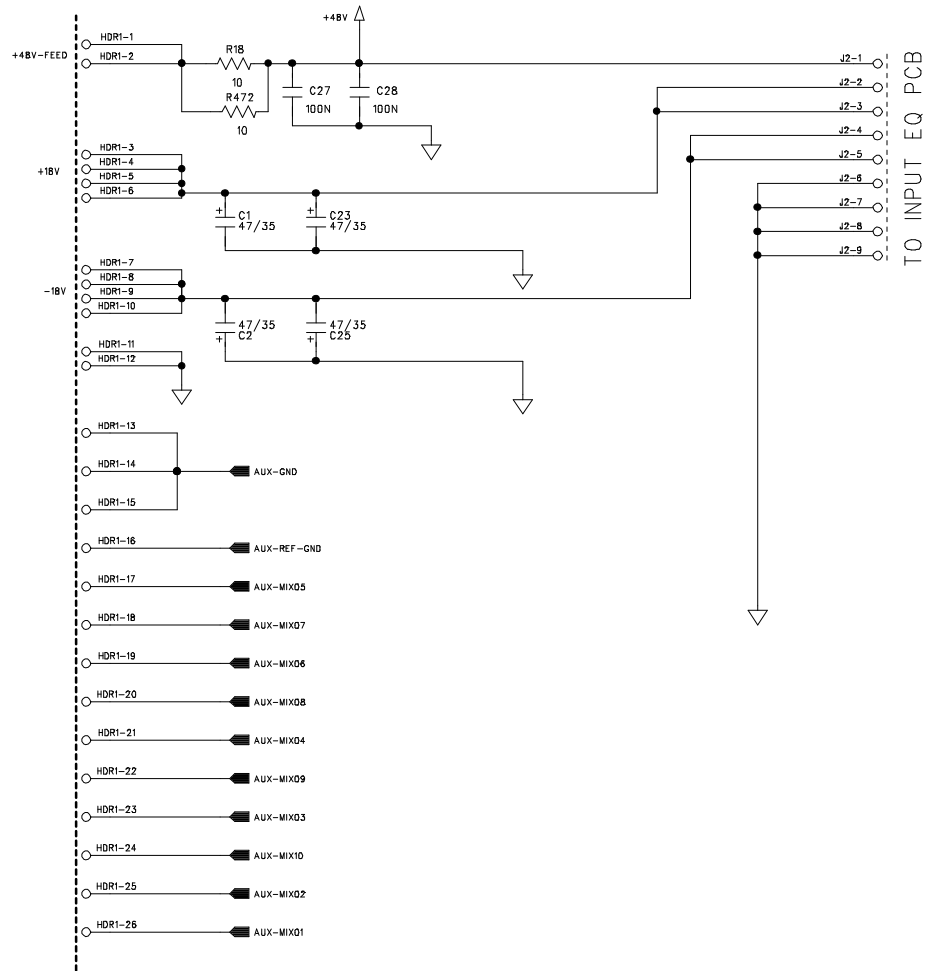
COMPANY: **CRESTAUDIO**

TITLE: **HP810 INPUT MAIN PCB CH1/2**

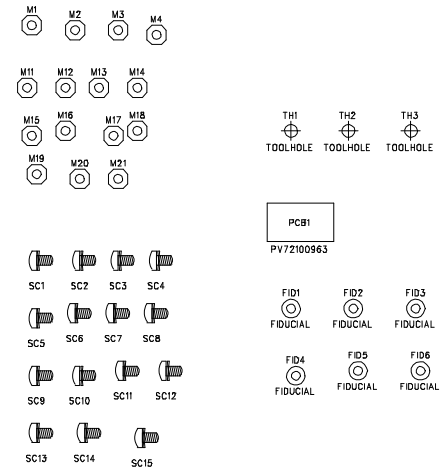
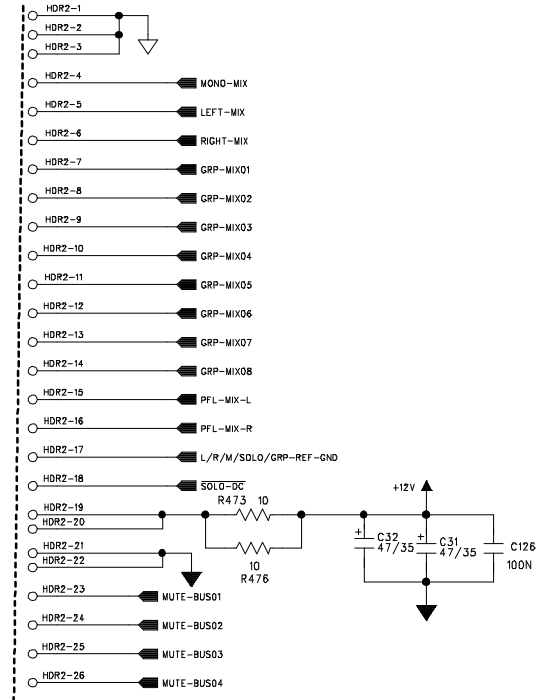
ORG DRAWN: TAZ	DATED: 1/13/04	CODE:	SIZE: D	DRAWING NO: 76D5469	REV: 00
CUR REV DRAWN:	DATED:			FILE NAME: HPINPMNO.SCH	
RELEASED:	DATED:				

REVISION RECORD			
LTR	ECO NO:	APPROVED:	DATE:

UPPER BUS CONN



LOWER BUS CON

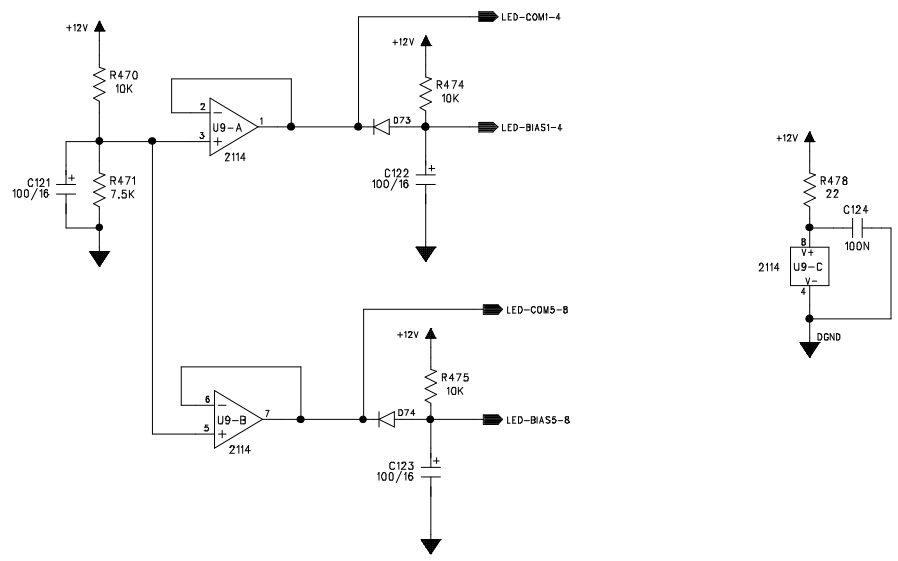


D
C
B
A

D
C
B
A

REVISION RECORD

REV LEVEL	ASMBLY LEVEL	DATE	ECO	ENG.	DESCRIPTION
A	A	9/03		TAZ	PROTOTYPE PCB
B	A	10/28/03		TAZ	PCB REVISION FROM A TO B COPPER CHANGES REQUIRED TO DECREASE SIG PRES BLEED INTO GROUP/L/R/SOLO BUSES - MOSTLY THRU GND REF - DECREASE SIG PRESENT SENSITIVITY CHANGE R48, R91,R210, R169,R261, R302,R444, R403 FROM 100K TO 221K - MORE DRIVE TO MUTE TRANSISTOR CHANGE R33, R25,R116, R102, R337,R348, R368, R357 FROM 100K TO 47K5 CHANGE R32, R29, R115, R101, R338, R349,R367, R356 FROM 68K1 TO 33K2 CHANGE R31, R30, R114, R100, R339, R350, R366, R355 FROM 20K TO 10K - REMOVE OSCILLATION ON LED VOLTAGE SOURCE REMOVE AND REPLACE WITH TRACK R472, R473, R477, R476 - INCREASE CURRENT LIMIT TO 48V ADD R472 (10R) - MUTE TRIMS CHANGE R63, R76, R195, R184,R276, R287,R429, R418 FROM 220R TO 187R - ADDED MORE POWER DECOUPLING TO +12V ADD R473 (10R) AND C126 (100N)
00	A	10/28/03		TAZ	PCB REVISION FROM B TO 00 - RELEASE TO PRODUCTION DISTORTION BLEEDING TO ALL MIX BUSES FROM SIGNAL PRESENT CIRCUIT U9 POWER CHANGED TO +12V RAIL. REMOVE R479 AND C125 ADD R476 MUTE TRIMS - CHANGE R76 FROM 187R TO 332R CHANGE R195 FROM 187R TO 221R CHANGE R184 FROM 187R TO 249R CHANGE R287 FROM 187R TO 316R CHANGE R418 FROM 187R TO 249R



COMPANY: **CRESTAUDIO**

TITLE: **HP810 INPUT MAIN PCB**

ORG DRAWN: TAZ	DATED: 1/13/04	CODE: D	SIZE: D	DRAWING NO: 76D5469	REV: 00
CHECKED:	DATED:	FILE NAME: HPINPMNO.SCH		SCALE: SHEET: 2 OF 5	
CLERK REV DRAWN:	DATED:				
RELEASED:	DATED:				

6

5

4

3

2

1

REVISION RECORD			
LTR	ECO NO:	APPROVED:	DATE:

D

D

C

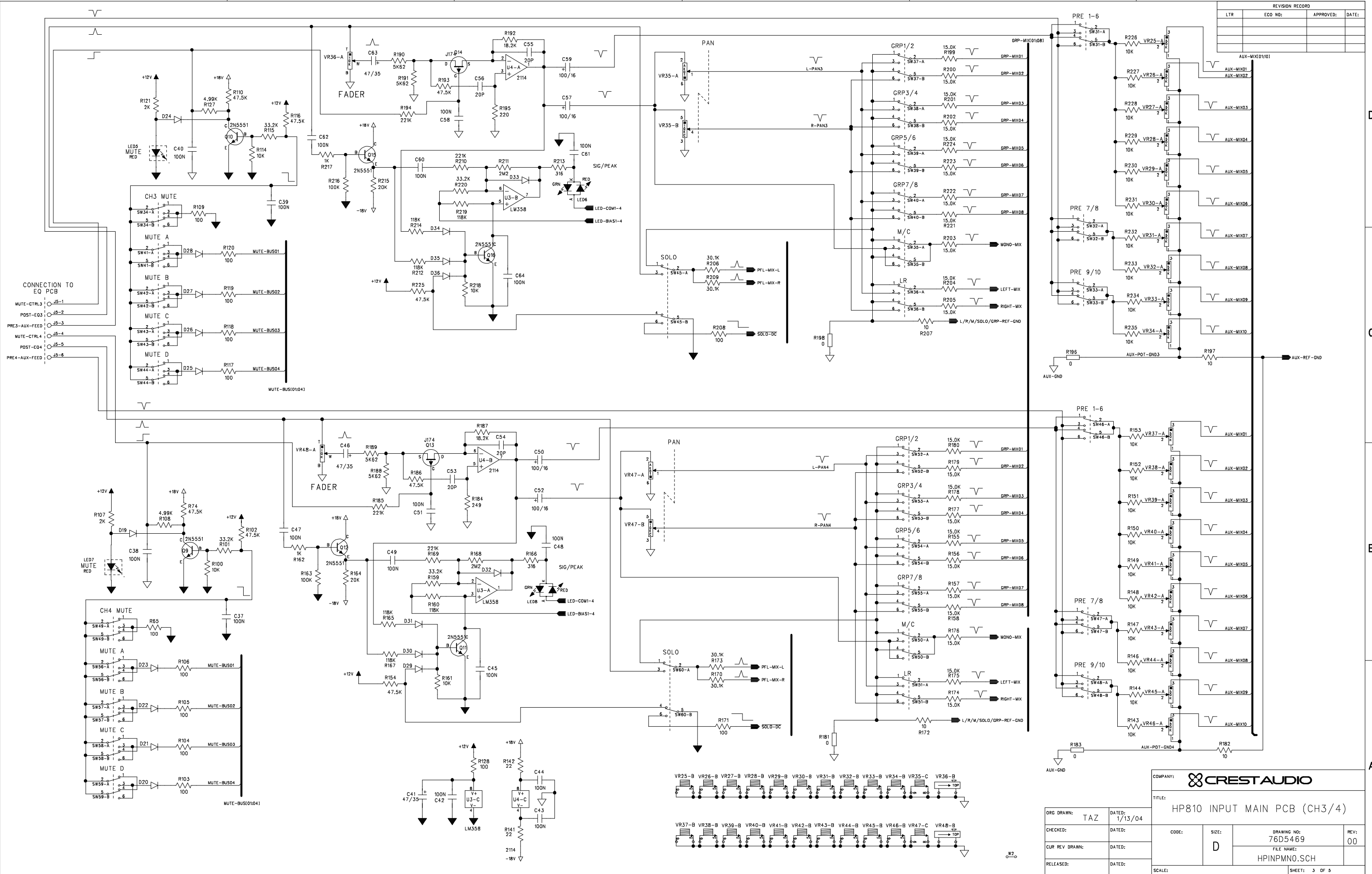
C

B

B

A

A



COMPANY: **CRESTAUDIO**

TITLE: **HP810 INPUT MAIN PCB (CH3/4)**

ORG DRAWN: TAZ	DATED: 1/13/04	CODE: D	SIZE: D	DRAWING NO: 76D5469	REV: 00
CUR REV DRAWN:	DATED:			FILE NAME: HPINPMNO.SCH	
RELEASED:	DATED:				

SCALE: SHEET: 3 OF 5

6

5

4

3

2

1

REVISION RECORD			
LTR	ECO NO:	APPROVED:	DATE:

D

D

C

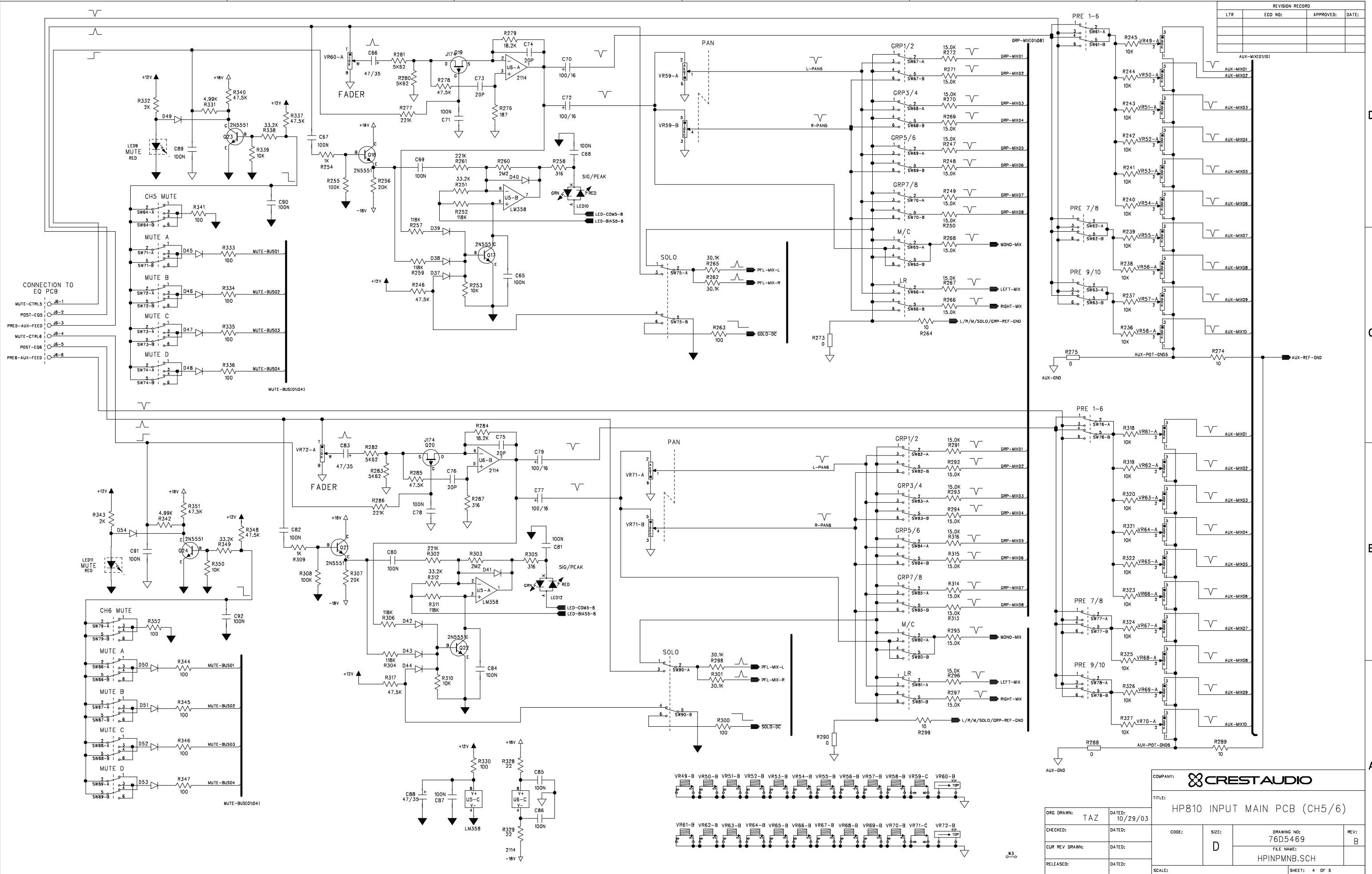
C

B

B

A

A



COMPANY: **CRESTAUDIO**

TITLE: **HP810 INPUT MAIN PCB (CH5/6)**

ORG DRAWN: TAZ	DATED: 10/29/03	CODE:	SIZE: D	DRAWING NO: 76D5469	REV: B
CUR REV DRAWN:	DATED:			FILE NAME: HPINPMNB.SCH	
RELEASED:	DATED:				

SCALE: SHEET: 4 OF 5

6

5

4

3

2

1

REVISION RECORD			
LTR	ECO NO:	APPROVED:	DATE:

D

D

C

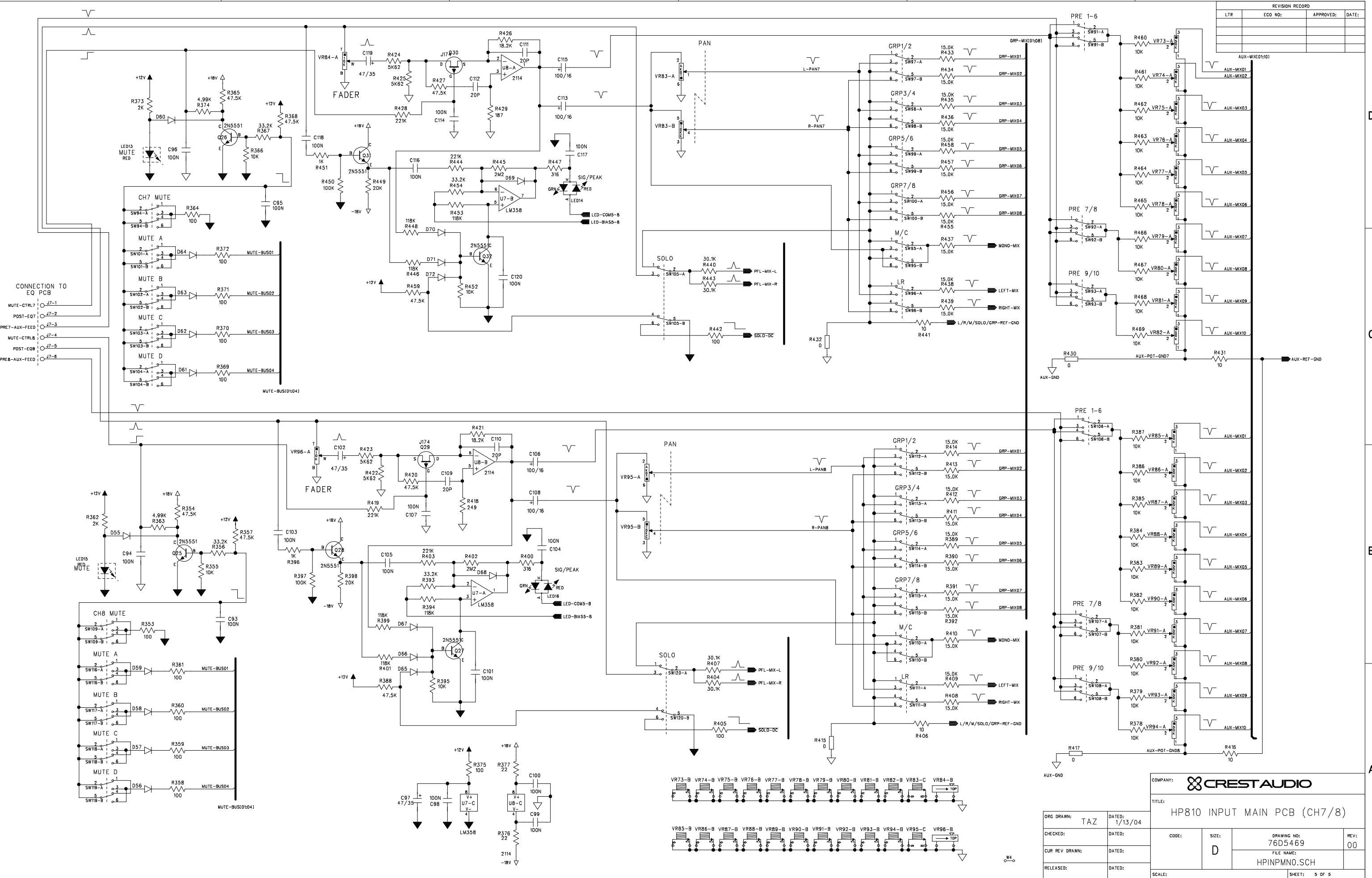
C

B

B

A

A



COMPANY: CRESTAUDIO		TITLE: HP810 INPUT MAIN PCB (CH7/8)	
ORG DRAWN: TAZ	DATED: 1/13/04	CODE: D	SIZE: D
CHECKED:	DATED:	DRAWING NO: 76D5469	REV: 00
CLR REV DRAWN:	DATED:	FILE NAME: HPINPMNO.SCH	SHEET: 5 OF 5
RELEASED:	DATED:	SCALE:	

6

5

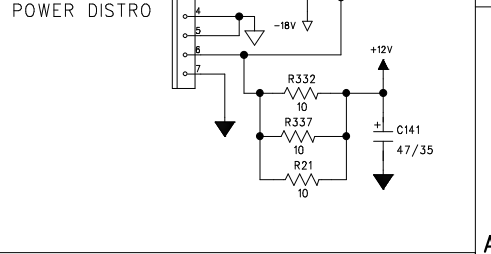
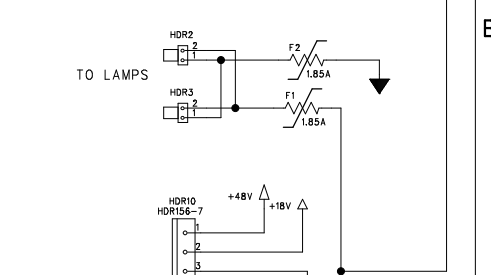
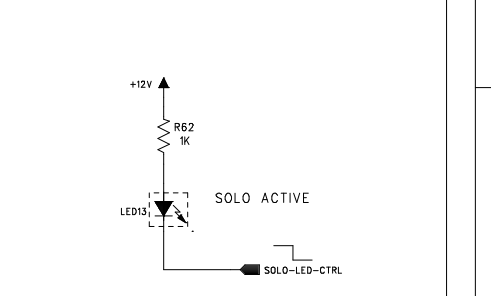
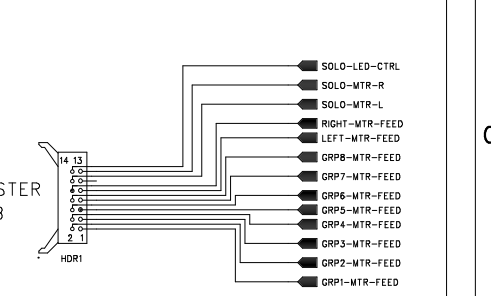
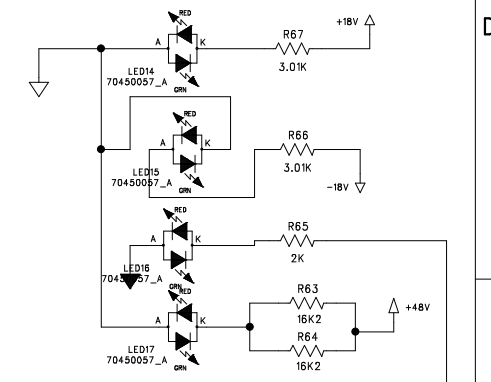
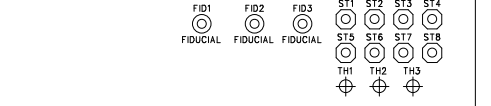
4

3

2

1

REVISION RECORD			
LTR	ECO NO:	APPROVED:	DATE:
00	LED5 WRONG ORIENTATION CHK. HOP/NOIS TO 2. HAVY HOPS		



COMPANY: CRESTAUDIO		TITLE: HP810 METER DISPLAY PCB	
ORG DRAWN: TAZ	DATED: 1/15/04	CODE: D	REV: 00
CHECKED:	DATED:	SIZE: D	DRAWING NO: 76D5479
CUR REV DRAWN:	DATED:	FILE NAME: HPOPMTRO.SCH	REV: 00
RELEASED:	DATED:	SCALE:	SHEET: 1 OF 1

D

C

B

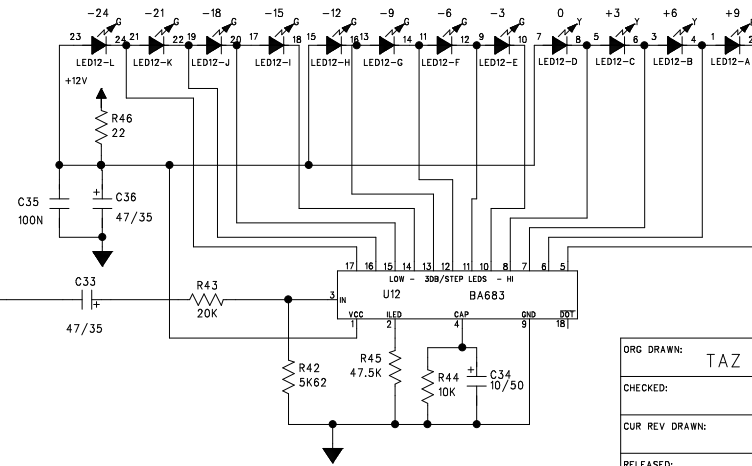
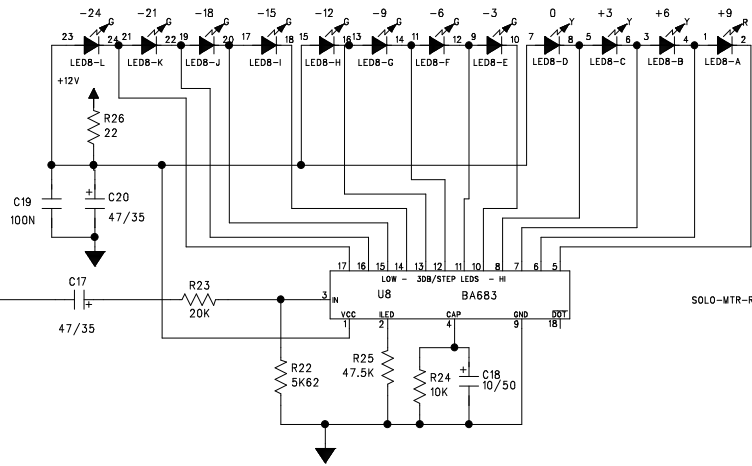
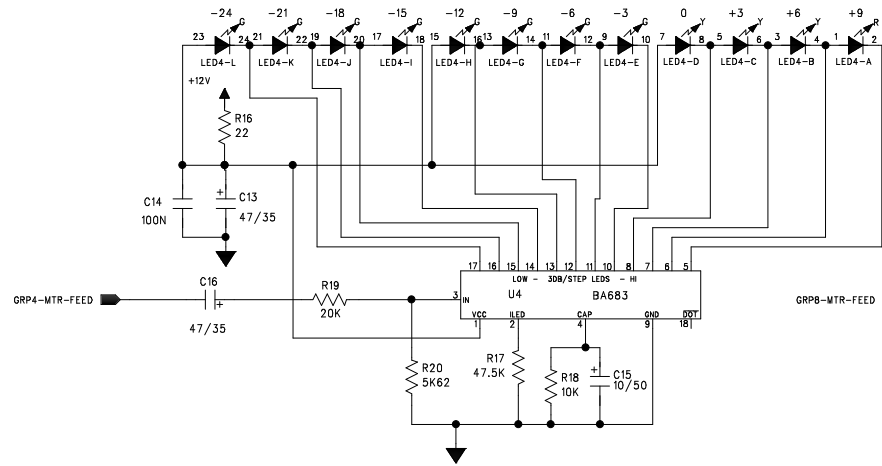
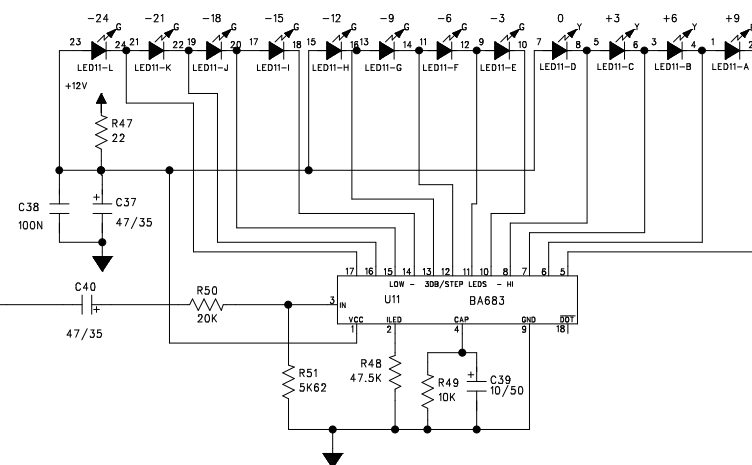
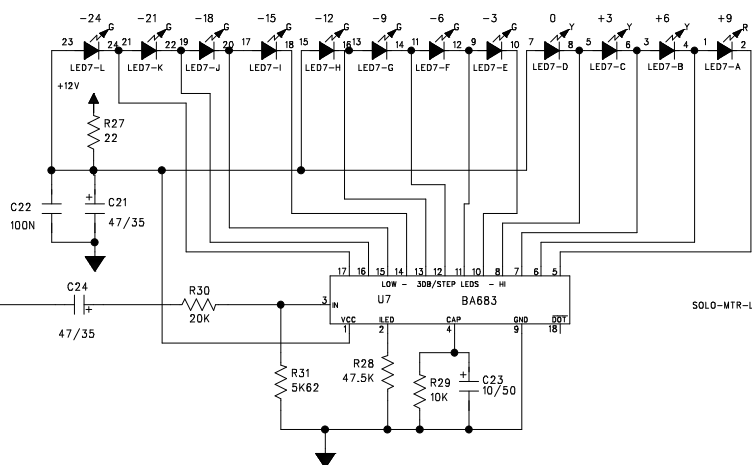
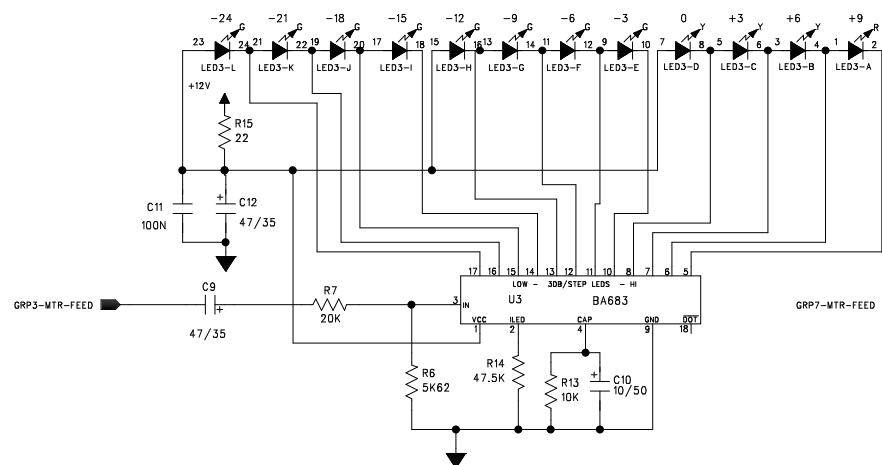
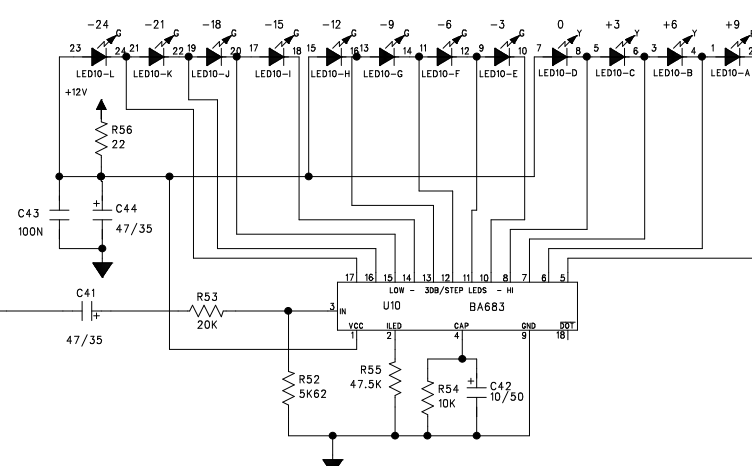
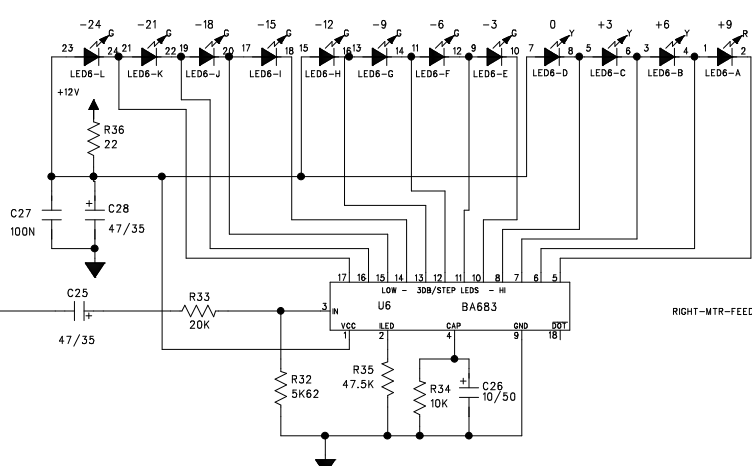
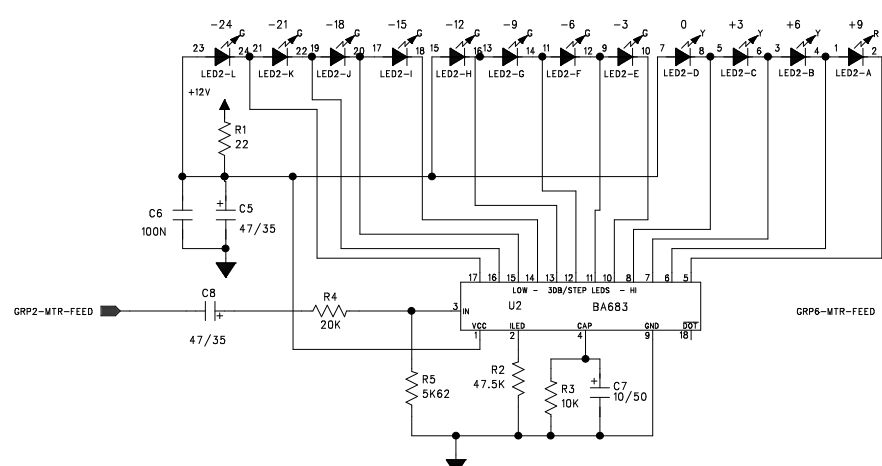
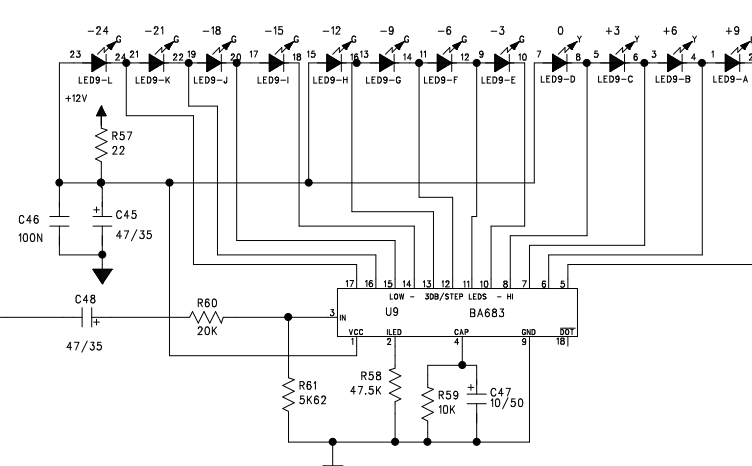
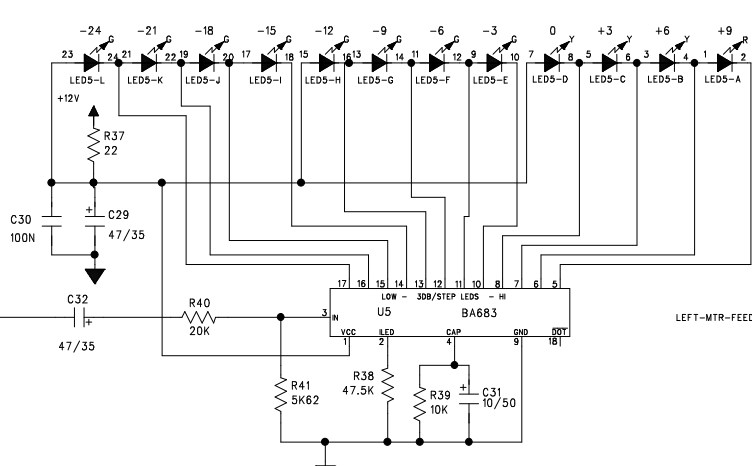
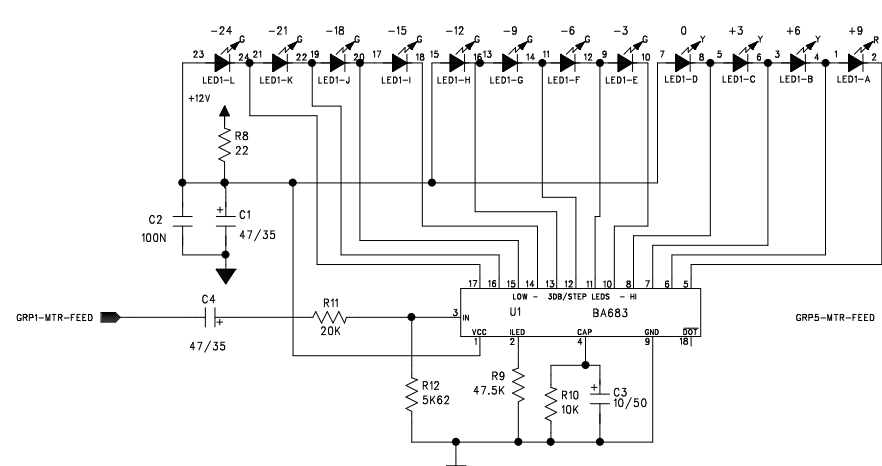
A

D

C

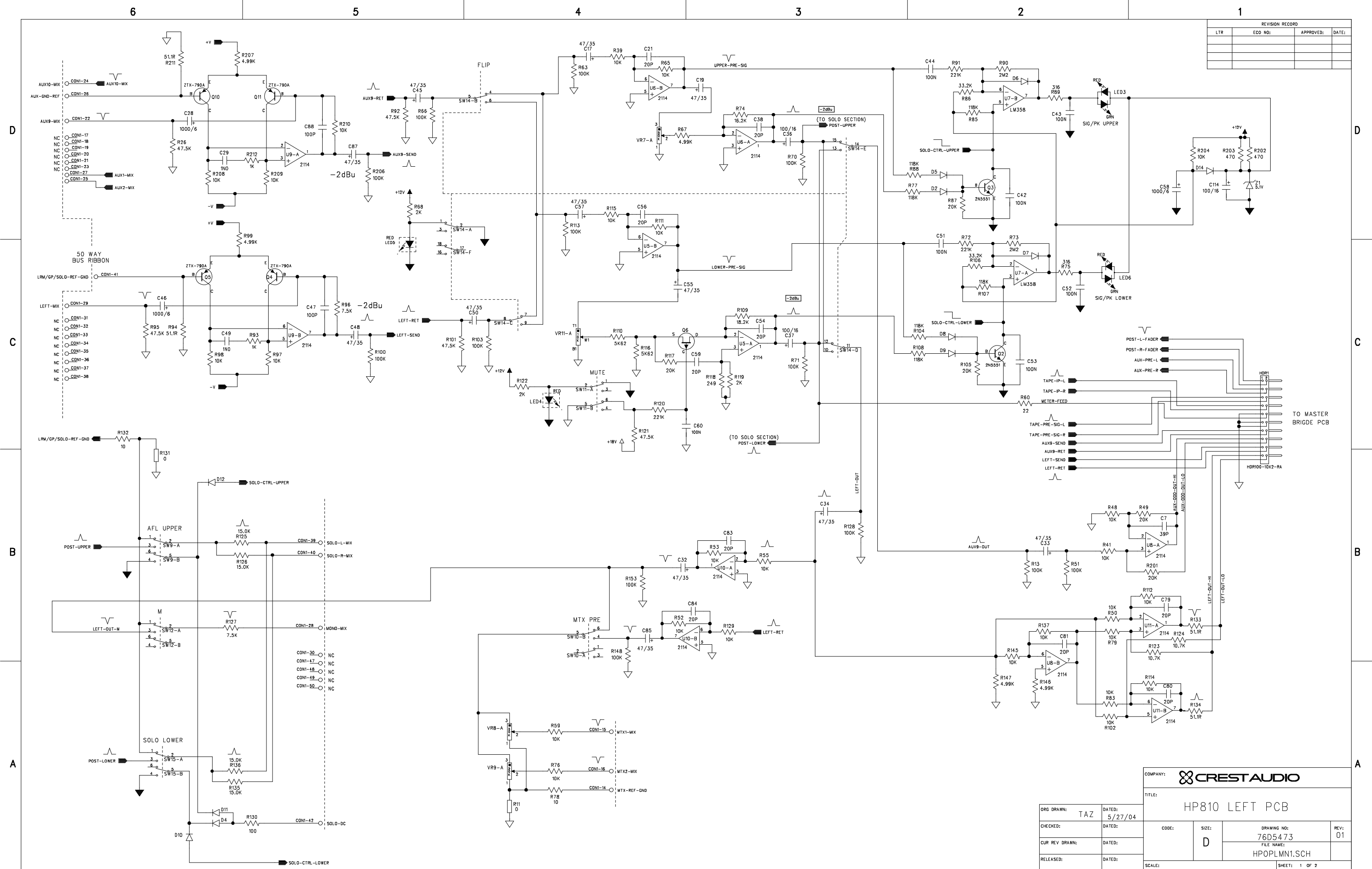
B

A



ORG DRAWN: TAZ	DATED: 1/15/04
CHECKED:	DATED:
CUR REV DRAWN:	DATED:
RELEASED:	DATED:

REVISION RECORD			
LTR	ECO NO:	APPROVED:	DATE:

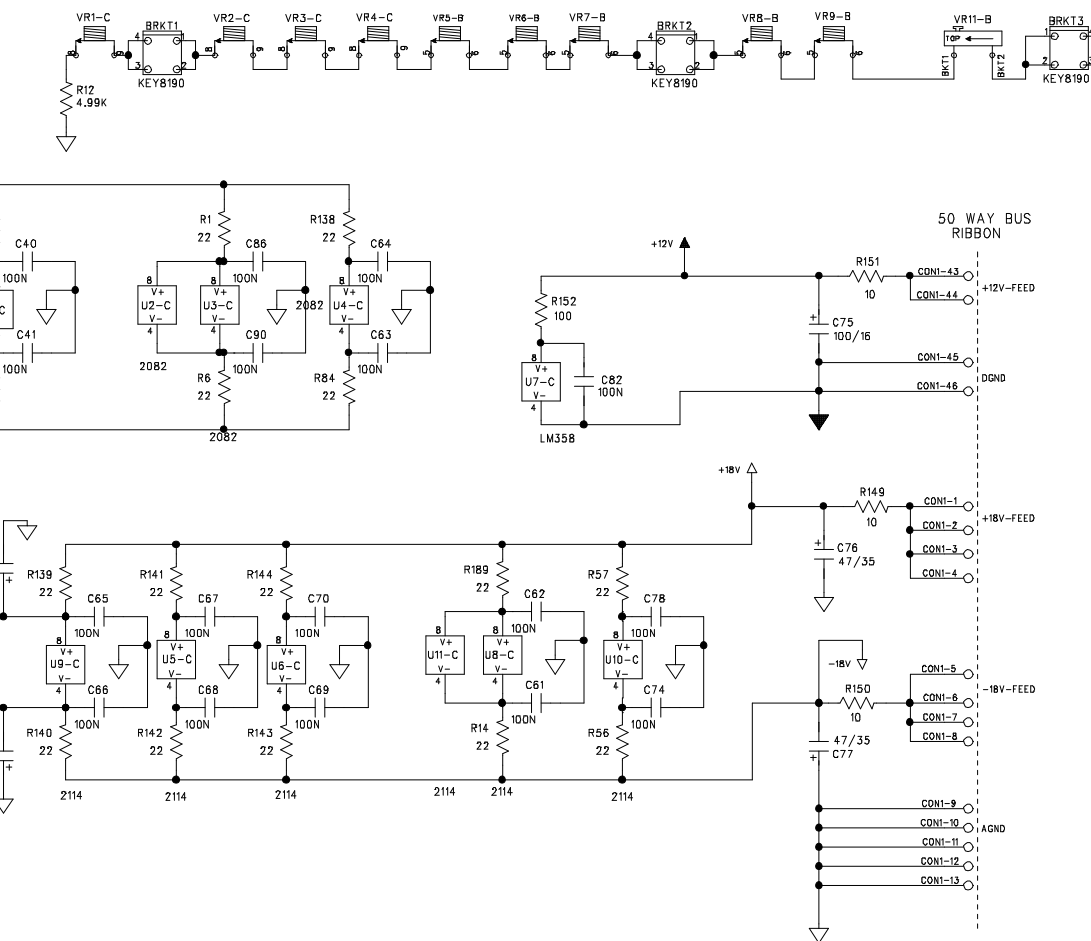
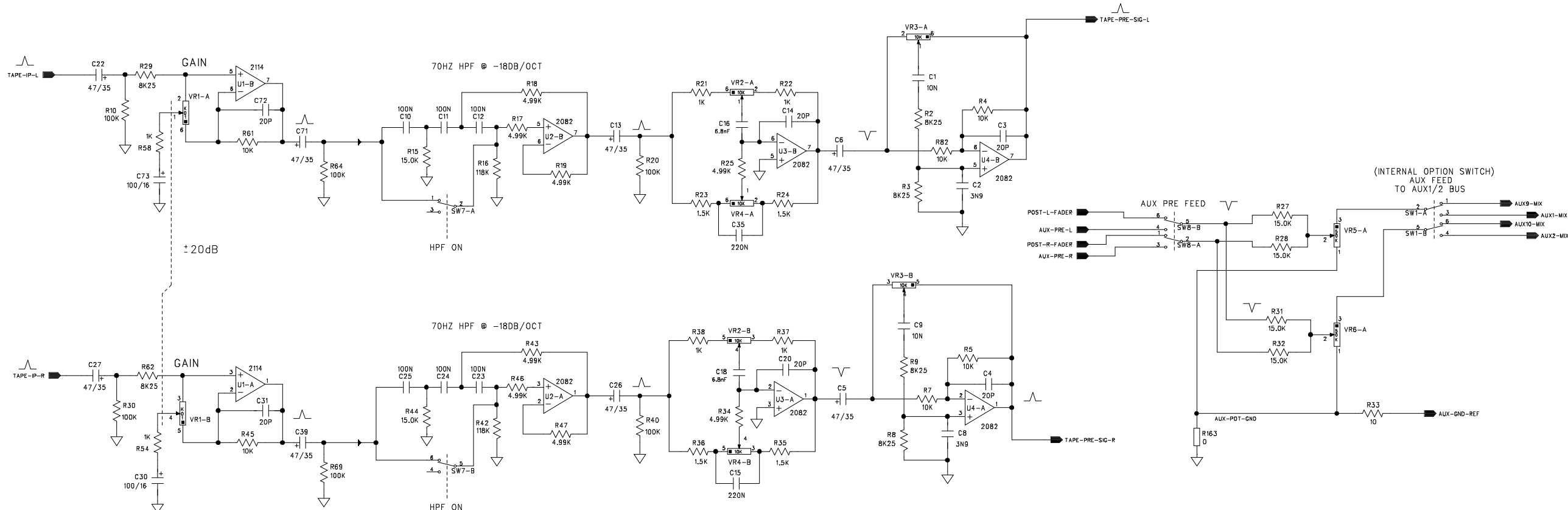


COMPANY: **CRESTAUDIO**

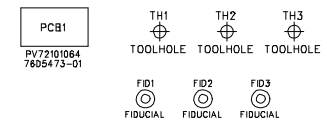
TITLE: **HP810 LEFT PCB**

ORG DRAWN: TAZ	DATED: 5/27/04	CODE: D	SIZE: D	DRAWING NO: 76D5473	REV: 01
CUR REV DRAWN:	DATED:			FILE NAME: HPOPLMN1.SCH	
RELEASED:	DATED:	SCALE:		SHEET: 1 OF 2	

REVISION RECORD			
LTR	ECO NO:	APPROVED:	DATE:



REVISION RECORD					
REV LEVEL	ASMBLY LEVEL	DATE	ECO	ENG.	DESCRIPTION
A	A	9/03		TAZ	PROTOTYPE PCB
B	A	10/29/03		TAZ	PCB REVISION FROM A TO B MOVED ALL SWITCHES UP BY 0.060" TO USE NEW SWITCH CAPS SO AS SAME HEIGHT AS SWITCHES ON INPUT MODULES - INTERNAL WORKING LEVEL CHANGE FROM +4dBu TO -2dBu CHANGE R74 FROM 30.1K TO 16K2 CHANGE R109 FROM 33K2 TO 18K25 CHANGE R87, R105 FROM 10K7 TO 20K CHANGE R49, R201 FROM 10K TO 20K CHANGE C7 FROM 100pF TO 39 pF CHANGE R125, R126, R136, R135 FROM 30.1K TO 15K CHANGE R127 FROM 15K TO 7K5 CHANGE R112, R114 FROM 4K99 TO 10K CHANGE R123, R124 FROM 5K62 TO 10.7K - MUTE TRIM CHANGE R118 FROM 499R TO 187R - REMOVE CLITCH THAT OCCURRS WHEN SOLO SWITCH RELEASED - ADD C91 AND C93 (100nF) - CHANGE STEREO RETURN MID EQ TO PEAKING AT 2KHz CHANGE C1, C9 FROM 5N6 TO 10N CHANGE C2, C8 FROM 2N2 TO 3N9 - CORRECT ERROR CHANGE R45 FROM 15K TO 10K
00	A	1/16/04		TAZ	PCB REVISION FROM B TO 00 - PRODUCTION RELEASE. MOVED LED UP 0.050" - SITTING LOW ON THE PCB. REMOVED C91 AND C93 (100nF), CAUSING GLOBAL SOLO GLITCHING ON CONSOLE. MUTE TRIM - CHANGE R118 FROM 187R TO 249R.
01	A	5/27/04		TAZ	PCB REVISION FROM 00 TO 01 - AUX9/10 SPEC IMPROVE CHANGED TRACKING OF STEREO FEED TO AUX 9/10 (IMPROVE NOISE/XTALK SPEC) CHANGE VR5 AND VR6 FROM DUAL TO SINGLE POT ADDED SW1 (INTERNAL SWITCH FOR OPTION SELECT)



COMPANY: **CRESTAUDIO**

TITLE: **HP810 LEFT PCB**

ORG DRAWN: TAZ DATED: 5/27/04

CHECKED: DATED:

CLUR REV DRAWN: DATED:

RELEASED: DATED:

CODE: D SIZE: D DRAWING NO: 76D5473 REV: 01

FILE NAME: HPOPLMN1.SCH

SCALE: SHEET: 2 OF 2

6

5

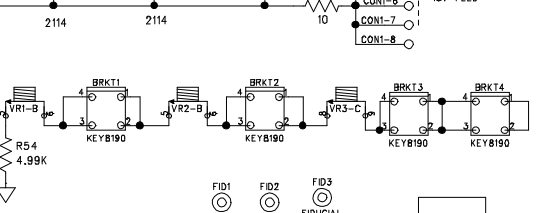
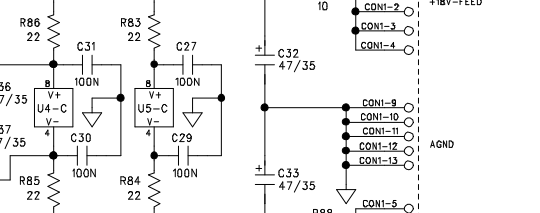
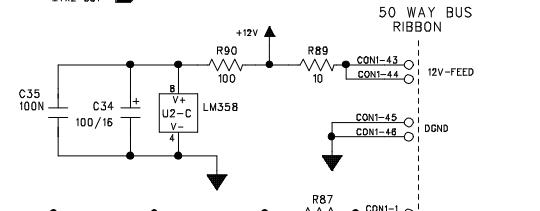
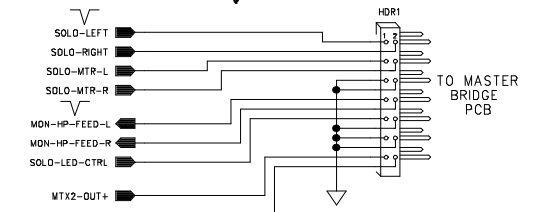
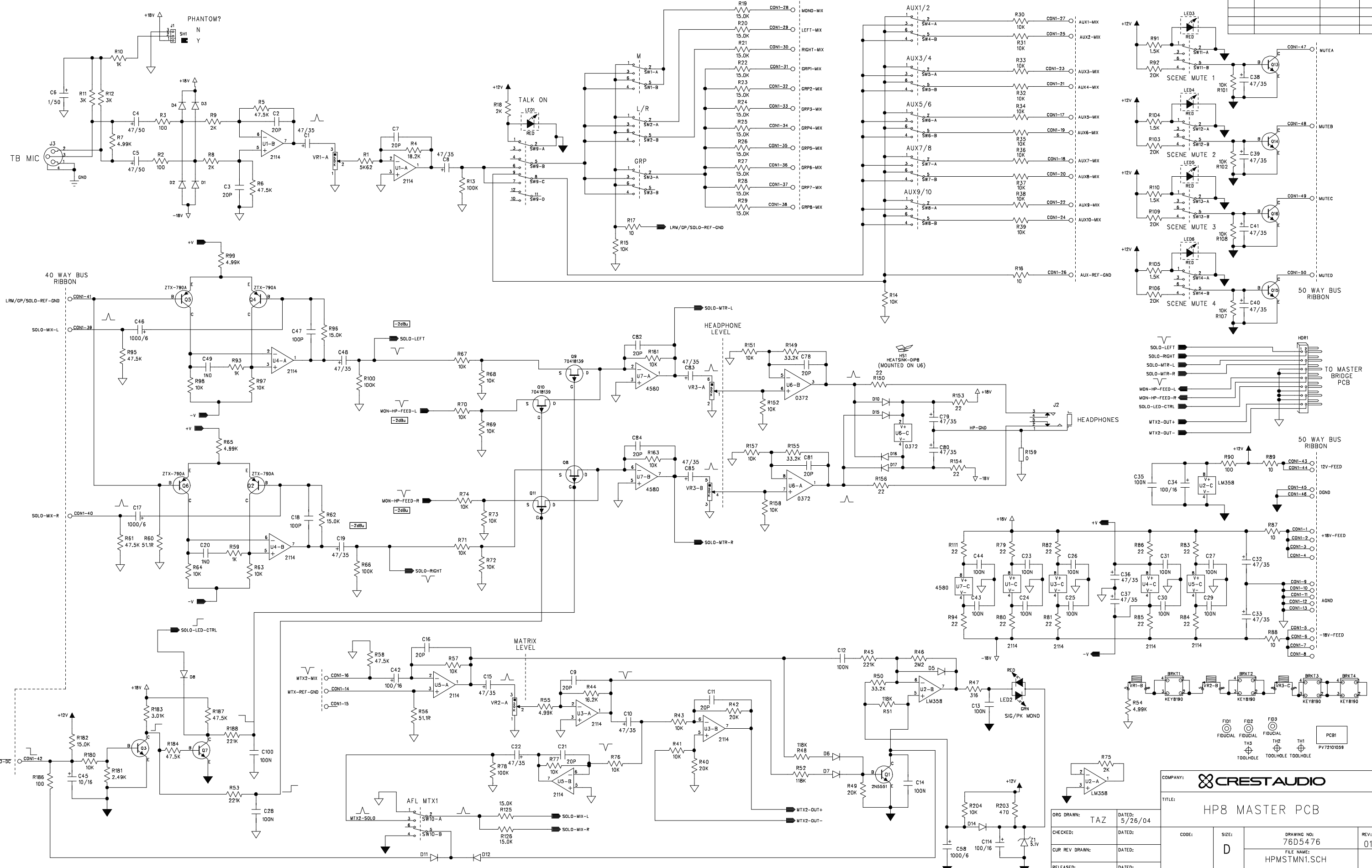
4

3

2

1

REVISION RECORD			
LTR	ECO NO:	APPROVED:	DATE:



COMPANY: **CRESTAUDIO**

TITLE: **HP8 MASTER PCB**

ORG DRAWN: TAZ	DATED: 5/26/04	CODE: D	SIZE: 76D5476	REV: 01
CUR REV DRAWN:	DATED:	FILE NAME: HPMSTM1.SCH		
RELEASED:	DATED:	SCALE:	SHEET: 1 OF 1	

6

5

4

3

2

1

REVISION RECORD			
LTR	ECO NO:	APPROVED:	DATE:

REVISION RECORD					
REV LEVEL	ASMBLY LEVEL	DATE	ECO	ENG.	DESCRIPTION
A	A	9/03		TAZ	PROTOTYPE PCB
B	A	10/29/03		TAZ	PCB REVISION FROM A TO B MOVED ALL SWITCHES UP BY 0.060" TO USE NEW SWITCH CAPS SO AS SAME HEIGHT AS SWITCHES ON INPUT MODULES - INTERNAL WORKING LEVEL CHANGE FROM +4dBu TO -2dBu CHANGE R55 FROM 5K62 TO 4K99 CHANGE R44 FROM 30.1K TO 16K2 CHANGE R49 FROM 10K7 TO 20K CHANGE R42, R40 FROM 10K TO 20K CHANGE R125, R126, FROM 30.1K TO 15K CHANGE R127, R128, R129 FROM 15K TO 7K5 - SOLO TRANSISTOR Q3 NOT ENOUGH CURRENT SINK CHANGE R183 FROM 1K TO 3K01 - REMOVE GLITCH THAT OCCURRS WHEN SOLO SWITCH RELEASED ADD C45 (100nF) - TRACKING ERROR ON FETS SELECTING SOLO OR MONITOR FEED (REVERSED) - SOLO LED CONTROL NOT FUNCTIONING REMOVED Q12 AND ADDED D8
00	A	1/20/04		TAZ	PCB REVISION FROM B TO 00 - PRODUCTION RELEASE. REMOVE C45 (100nF) - CAUSING GLOBAL SOLO GLITCHES.
00	A	5/26/04	4973	TAZ	PCB REVISION FROM 00 TO 01 CHANGED R14, R15 FROM 0R TO 10K0 ADDED C45 (10uF/16V) TO REMOVE SOLO DC CLICKS

D

D

C


C

B

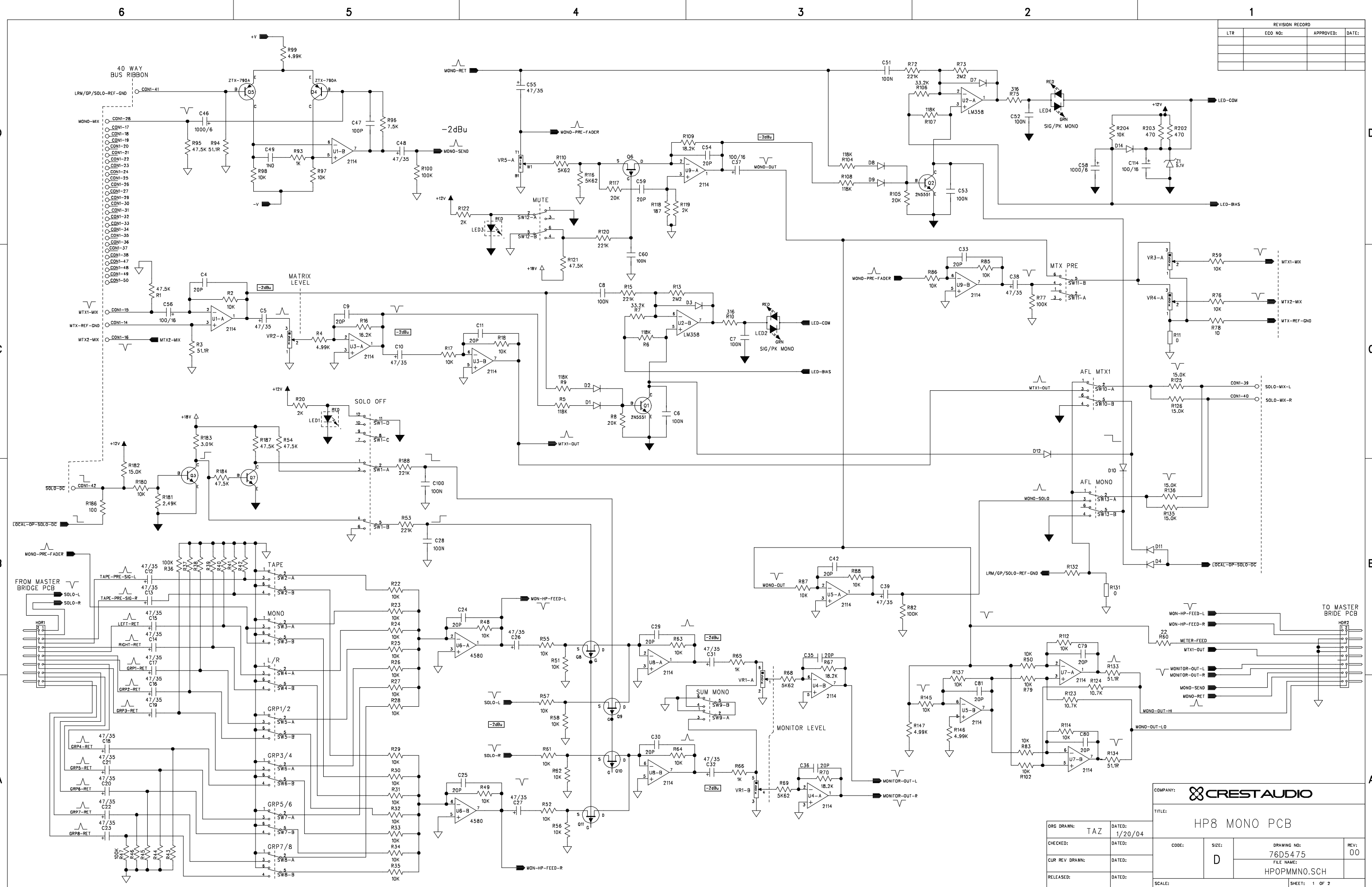
B

A

A

ORG DRAWN: TAZ		DATED: 5/26/04		COMPANY: 	
CHECKED:		DATED:		TITLE: HP8 MASTER PCB	
CUR REV DRAWN:		DATED:		CODE:	SIZE: D
RELEASED:		DATED:		DRAWING NO: 76D5476	REV: 01
				FILE NAME: HPMSTMN1.SCH	
SCALE:				SHEET: OF	

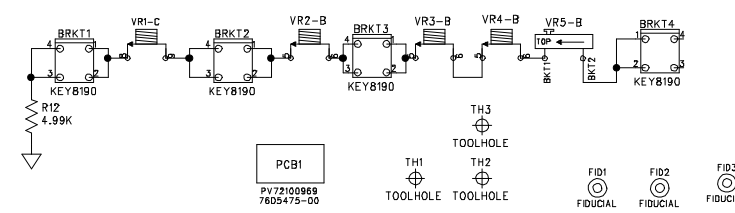
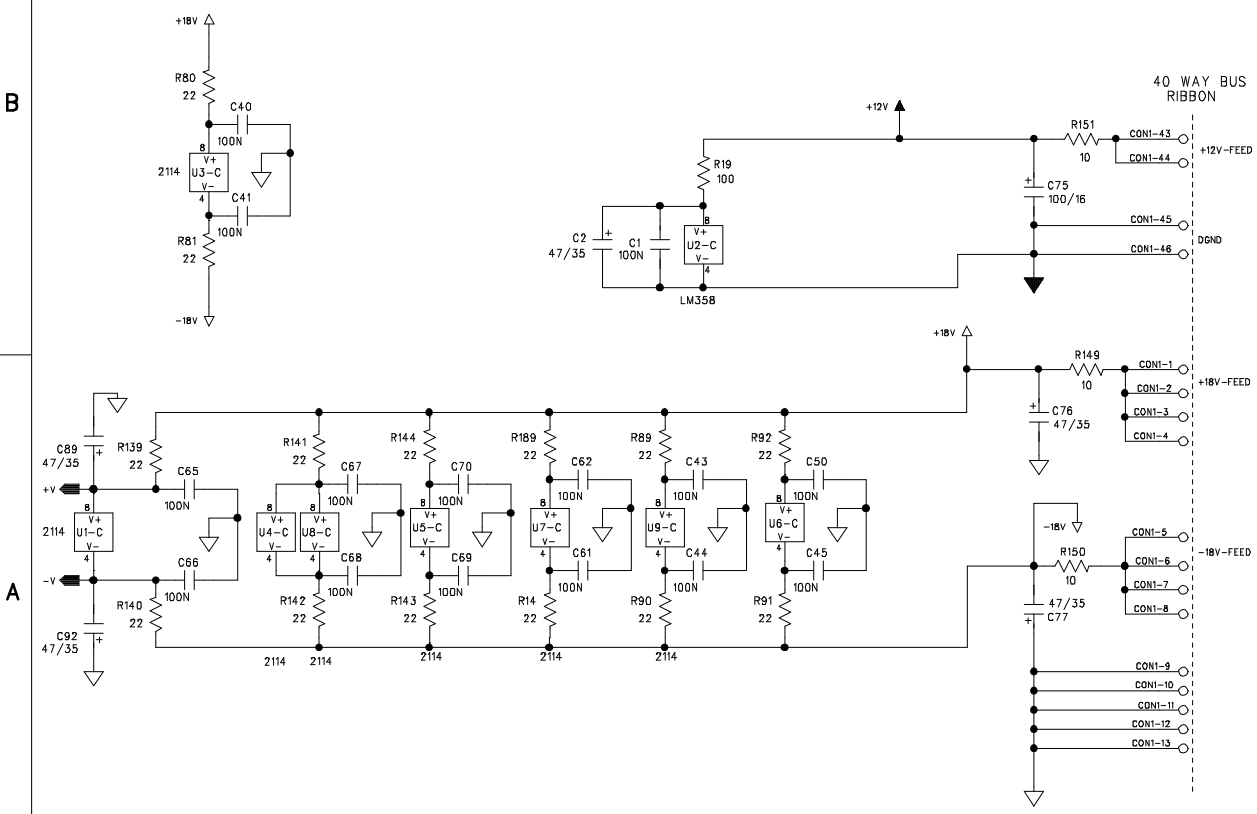
REVISION RECORD			
LTR	ECO NO:	APPROVED:	DATE:



COMPANY: CRESTAUDIO		TITLE: HP8 MONO PCB	
ORG DRAWN: TAZ	DATED: 1/20/04	CODE: D	SIZE: 76D5475
CHECKED:	DATED:	DRAWING NO: 76D5475	REV: 00
CUR REV DRAWN:	DATED:	FILE NAME: HPOPMMNO.SCH	
RELEASED:	DATED:	SCALE:	SHEET: 1 OF 2

REVISION RECORD			
LTR	ECO NO:	APPROVED:	DATE:

REVISION RECORD					
REV LEVEL	ASMBLY LEVEL	DATE	ECO	ENG.	DESCRIPTION
A	A	9/03		TAZ	PROTOTYPE PCB
B	A	10/29/03	DCO 1344	TAZ	PCB REVISION FROM A TO B MOVED ALL SWITCHES UP BY 0.060" TO USE NEW SWITCH CAPS SO AS SAME HEIGHT AS SWITCHES ON INPUT MODULES - INTERNAL WORKING LEVEL CHANGE FROM +4dBu TO -2dBu CHANGE R109 FROM 33K2 TO 18K25 CHANGE R8, R105 FROM 10K7 TO 20K CHANGE R125, R126, R136, R135 FROM 30.1K TO 15K CHANGE R112, R114 FROM 4K99 TO 10K CHANGE R123, R124 FROM 5K62 TO 10.7K CHANGE R4 FROM 7K5 TO 4K99 CHANGE R16 FROM 30.1K TO 16K2 - MUTE TRIM CHANGE R118 FROM 499R TO 187R - REMOVE GLITCH THAT OCCURRS WHEN SOLO SWITCH RELEASED ADD C3 AND C34 (100nF) - REDUCE CURRENT SINK DEFICIENCY OF Q3 (SOLO TRANSISTOR) CHANGE R183 FROM 1K TO 3K - MONO MUTE SWITCH TRACKED WRONG (REVERSED FUNCTION)
00	A	1/20/04		TAZ	PCB REVISION FROM B TO 00 - PRODUCTION RELEASE. REMOVE C3 AND C34 (100nF) -CAUSING GLOBAL SOLO GLITCHES.



ORG DRAWN: TAZ		DATED: 1/20/04		COMPANY: CREST AUDIO	
CHECKED:		DATED:		TITLE: HP8 MONO PCB	
CUR REV DRAWN:		DATED:		CODE: D	SIZE: D
RELEASED:		DATED:		DRAWING NO: 76D5475	REV: 00
				FILE NAME: HPOPMMNO.SCH	
SCALE:				SHEET: 2 OF 2	

6

5

4

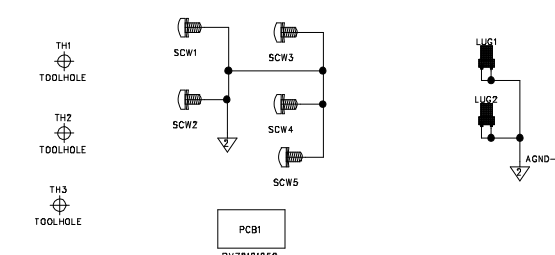
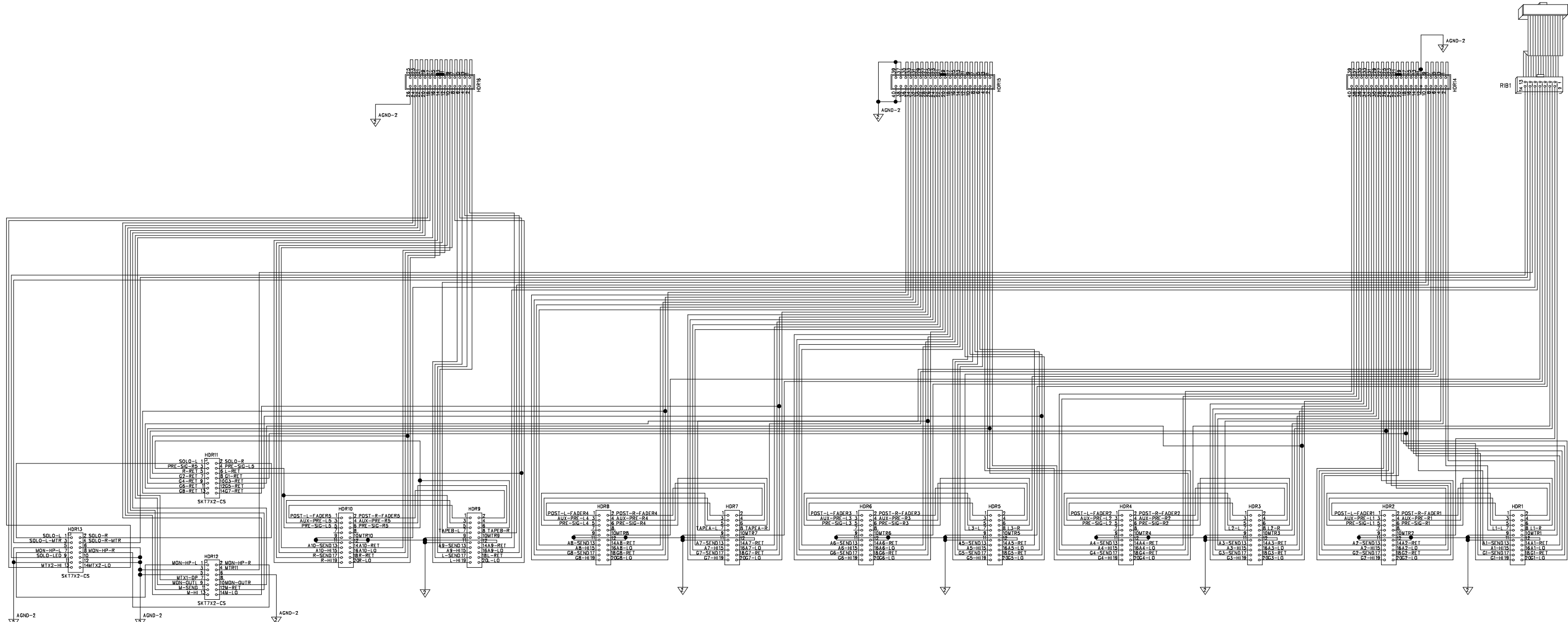
3

2

1

REVISION RECORD			
LTR	ECO NO:	APPROVED:	DATE:

REVISION RECORD					
REV LEVEL	ASMBLY LEVEL	DATE	ECO	ENG.	DESCRIPTION
01	A	5/04/04	????	TAZ	ADDED AGND CONNECTIONS TO HDR14 , HDR16 AND HDR15 TO CARRY AGND TO MASTER CONN, ADDED LUG1 AND LUG2 .

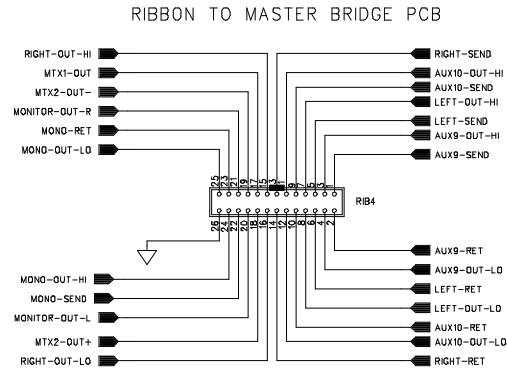


COMPANY: CRESTAUDIO	
TITLE: HP810 MASTER BRIDGE PCB	
ORG DRAWN: TAZ	DATED: 5/04/04
CHECKED:	DATED:
CUR REV DRAWN:	DATED:
RELEASED:	DATED:
CODE: D	SIZE: D
DRAWING NO: 76D5478	REV: 01
FILE NAME: HPMSBRG1.SCH	SHEET: OF

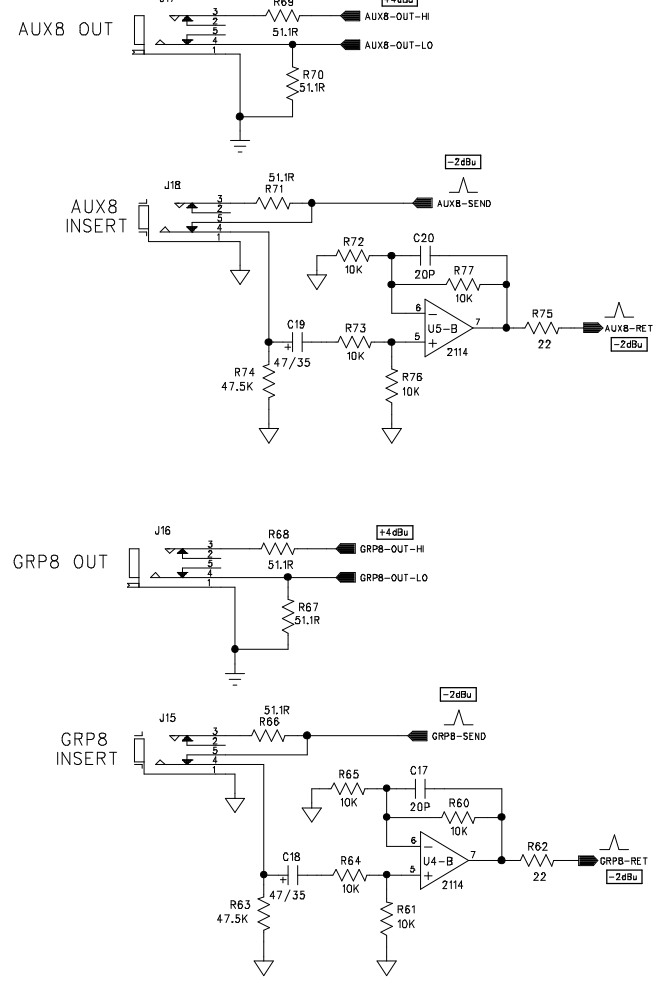
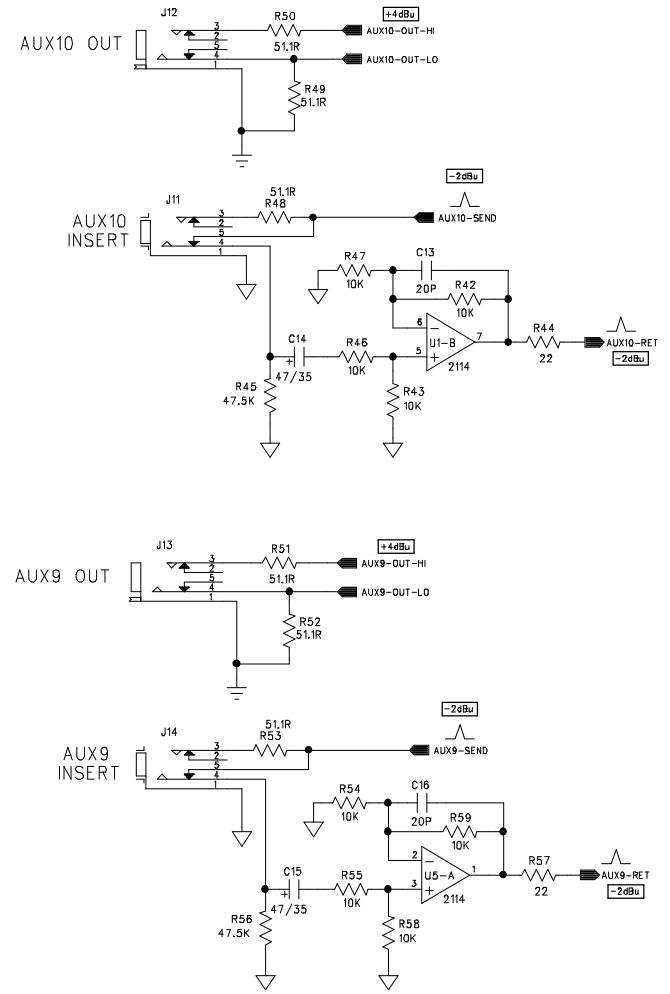
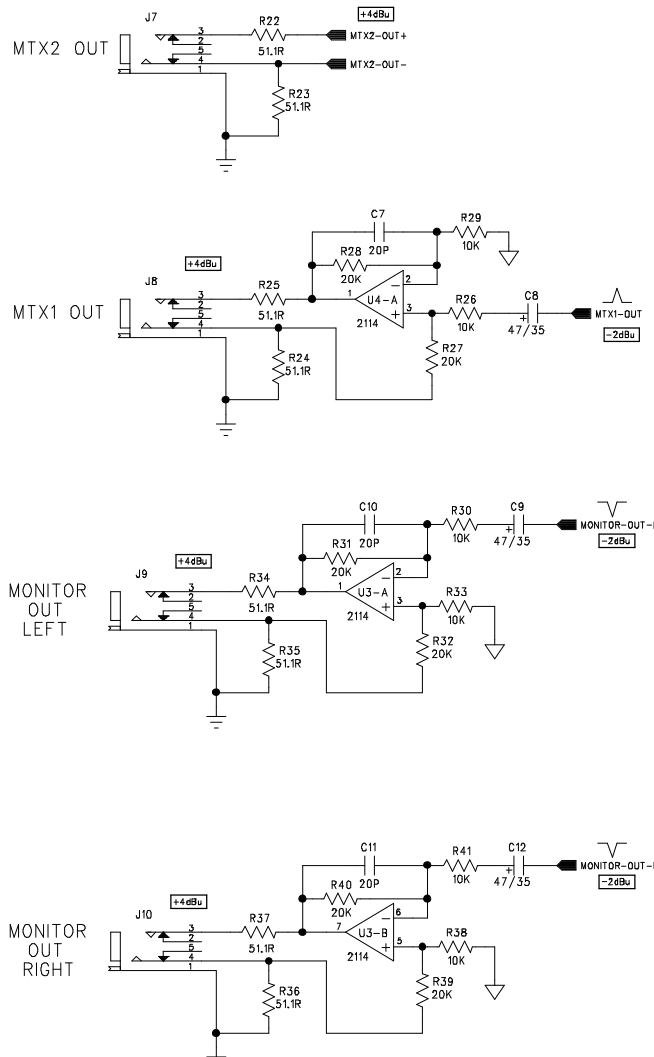
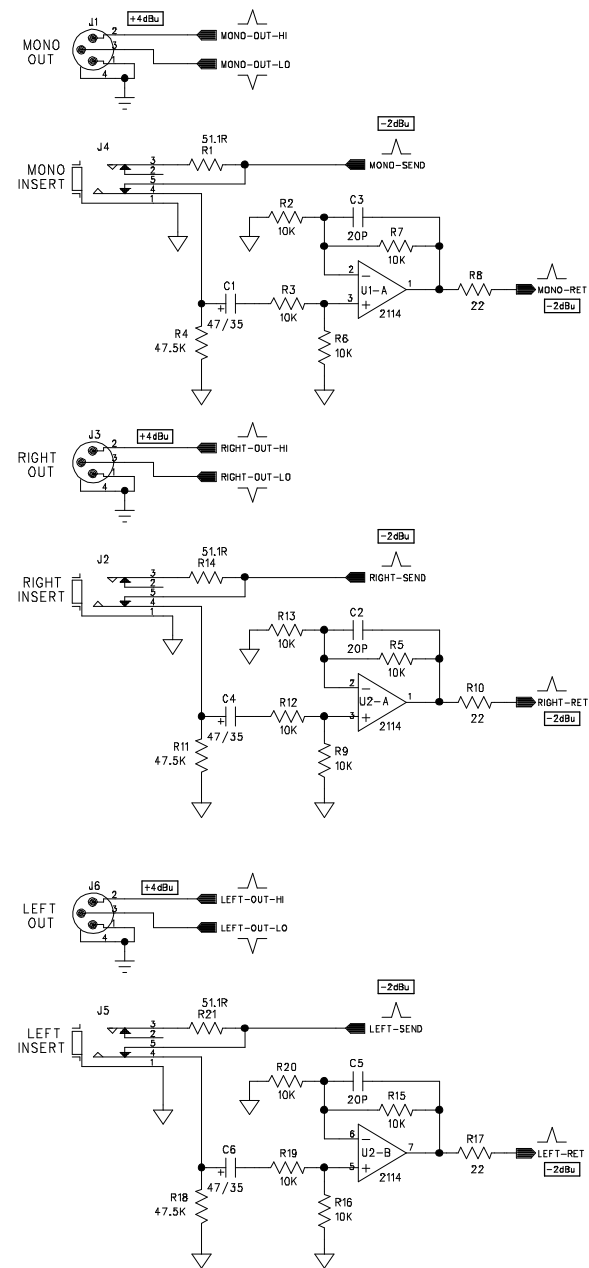
ORG DRAWN: TAZ	DATED: 5/04/04
CHECKED:	DATED:
CUR REV DRAWN:	DATED:
RELEASED:	DATED:

REVISION RECORD			
LTR	ECO NO:	APPROVED:	DATE:

REVISION RECORD					
REV LEVEL	ASMBLY LEVEL	DATE	ECO	ENG.	DESCRIPTION
A	A	8/03		TAZ	PROTOTYPE PCB
B	A	10/31/03		TAZ	PCB REVISION CHANGE FROM A TO B - REMOVAL OF MASTER BRIDGE PCB TO ITS OWN PCB - TAPE A AND TAPE B OUTPUTS TO RIBB2 REVERSED (PREVIOUSLY LABELED LINE 4/LINE5) - LINE AND TAPE INPUTS CHANGED SO THAT LEFT INPUT FEEDS BOTH LEFT AND RIGHT INPUTS (MONO) - CHANGE OUTPUTS TO +4dBu CHANGE R28, R27, R31, R32, R40, R39 FROM 10K TO 20K
00	A	10/31/03		TAZ	PCB REVISION CHANGE FROM B TO 00 - PRODUCTION RELEASE MISSING AGND ON LEFT INSERT JACK (J5)
00	A	10/31/03		TAZ	CONNECT AGND OF CONNECTOR PCB TO AGND OF MASTER BRIDGE THRU RIBBONS (RIB2,3 AND 4) AND REMOVE AGND CONNECTION TO POWER CONNECTOR HDR17 REDUCES PSU PICKUP BY THE LINE INPUTS DUE TO AGND DIFFERENCE



PCB1
PV72101051



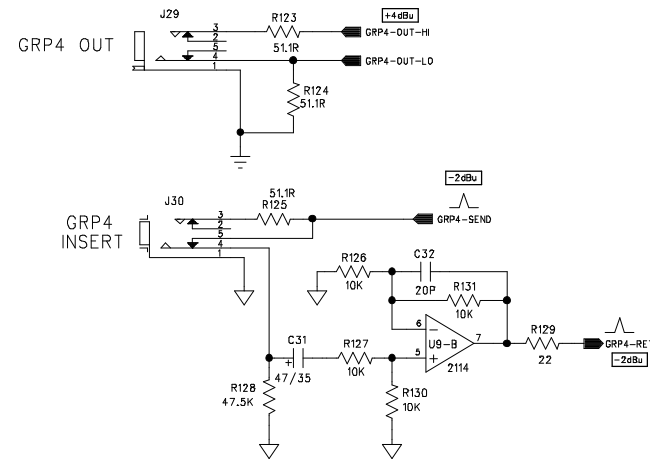
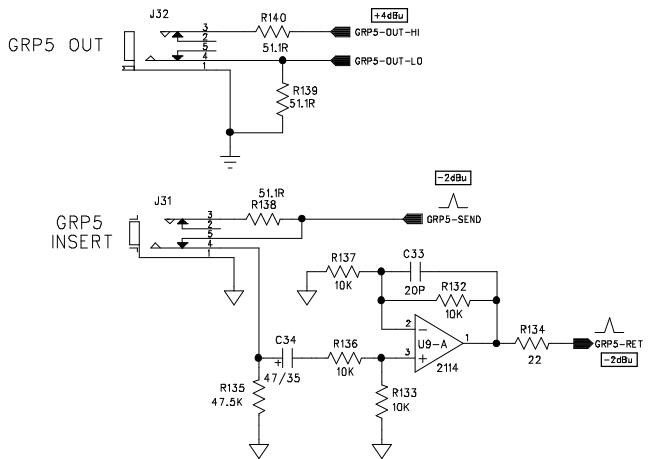
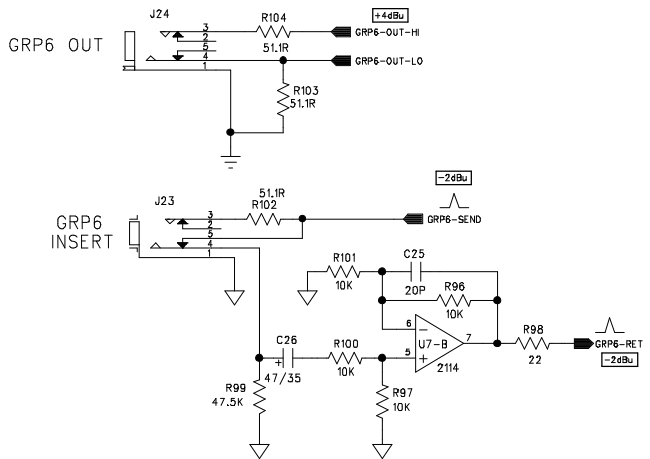
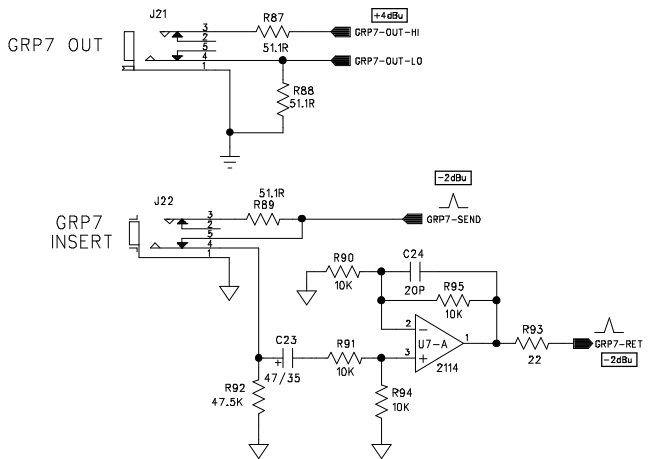
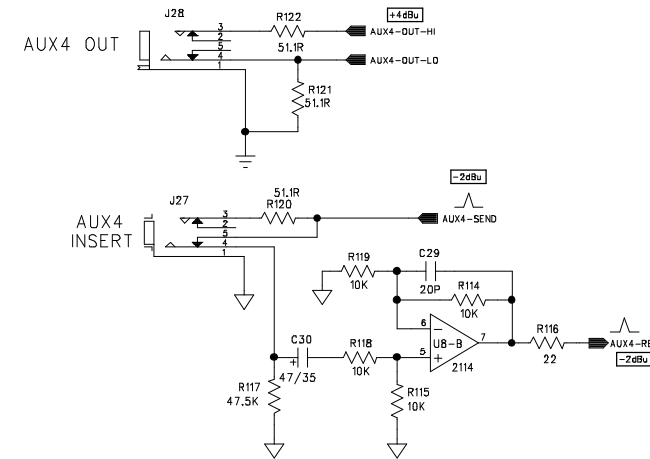
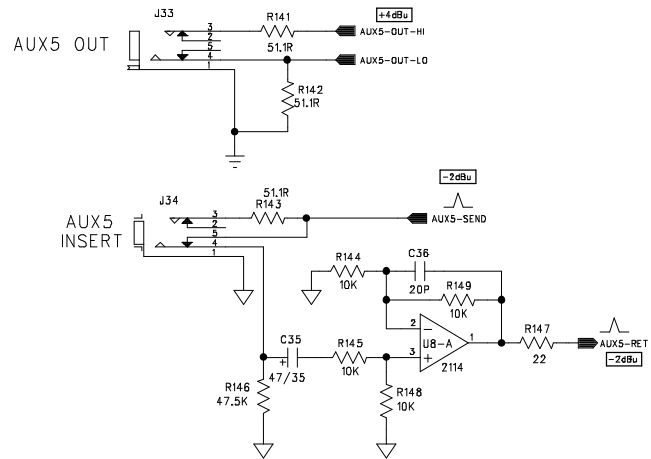
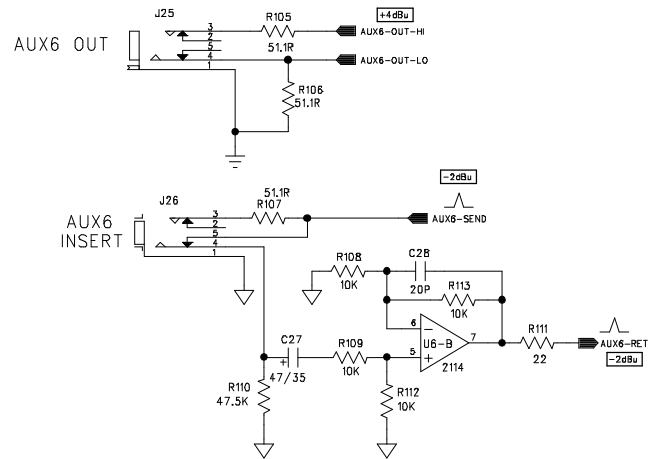
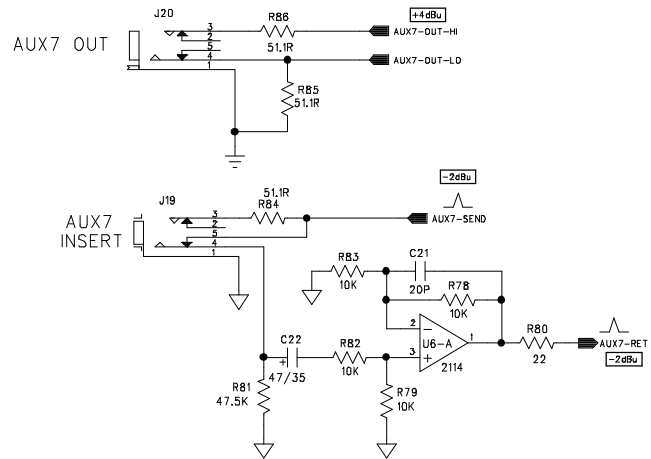
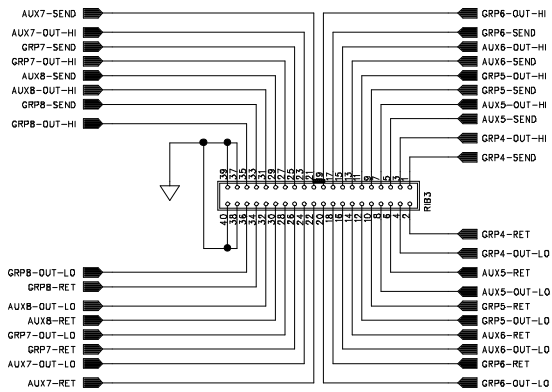
COMPANY: **CRESTAUDIO**

TITLE: **HP810 MASTER CONNECTOR PCB**

ORG DRAWN: TAZ	DATED: 5/4/04	CODE: D	SIZE: D	DRAWING NO: 76D5477	REV: 01
CUR REV DRAWN:	DATED:			FILE NAME: HPMSTCN1.SCH	
RELEASED:	DATED:	SCALE:		SHEET: 1 OF 4	

REVISION RECORD			
LTR	ECCO NO:	APPROVED:	DATE:

RIBBON TO MASTER BRIDGE PCB



COMPANY: CRESTAUDIO

TITLE: HP810 MASTER CONNECTOR PCB

ORG DRAWN: TAZ	DATED: 5/4/04
CHECKED:	DATED:
CLUR REV DRAWN:	DATED:
RELEASED:	DATED:

CODE:	SIZE: D	DRAWING NO: 76D5477	REV: 01
SCALE:		FILE NAME: HPMSTCN1.SCH	SHEET: 2 OF 4

6

5

4

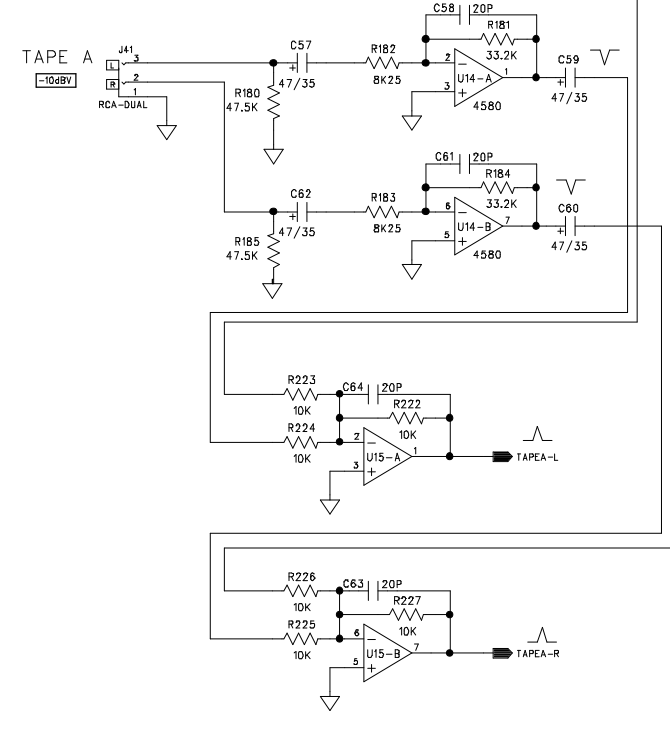
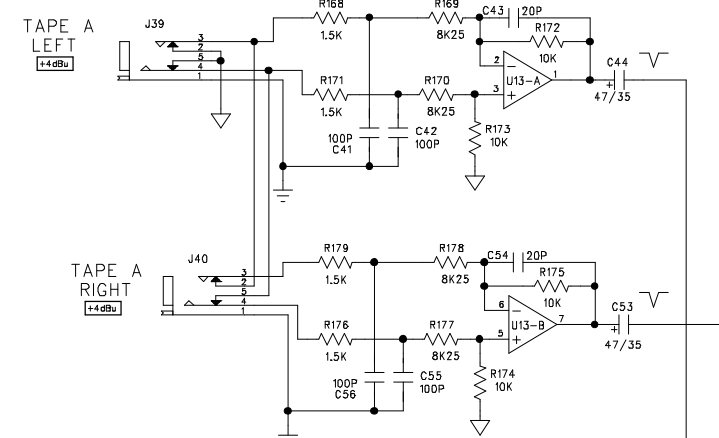
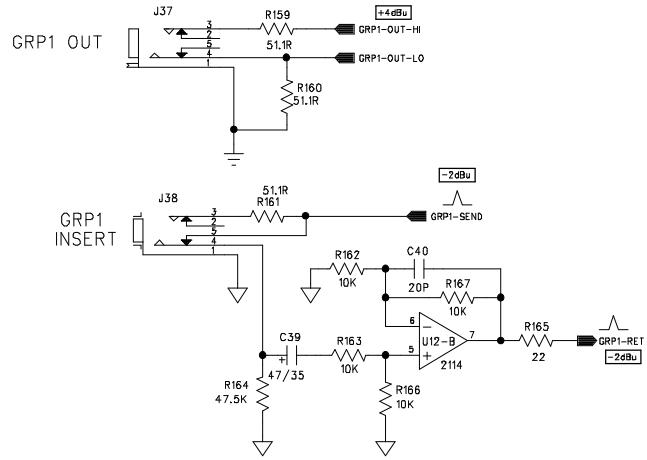
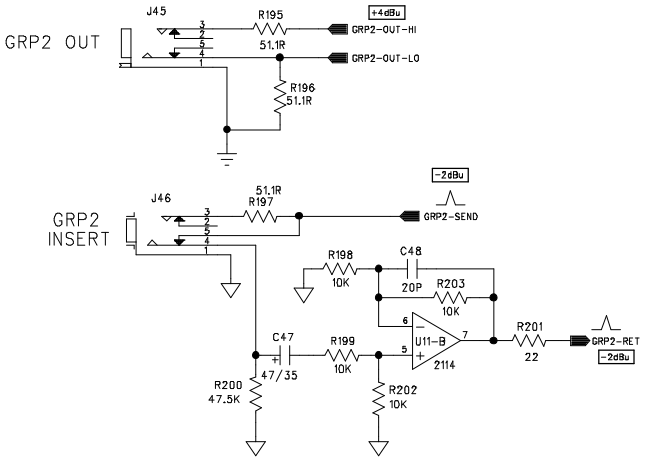
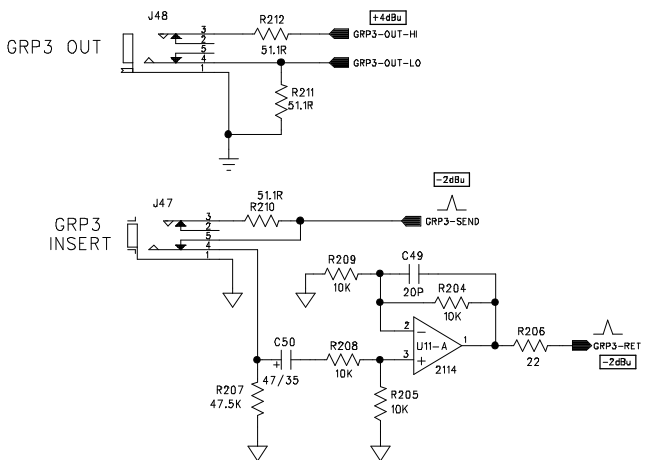
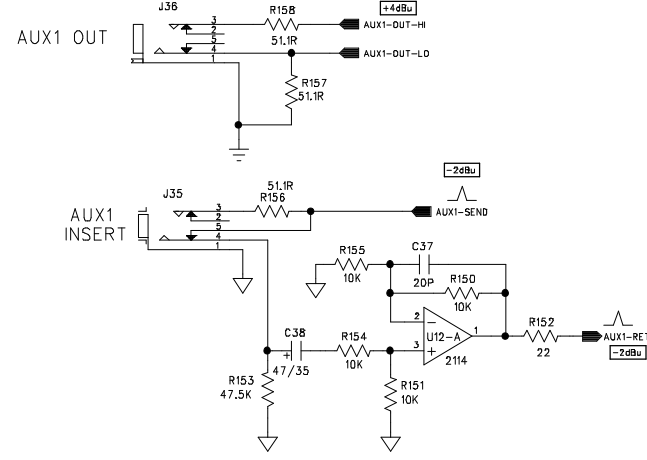
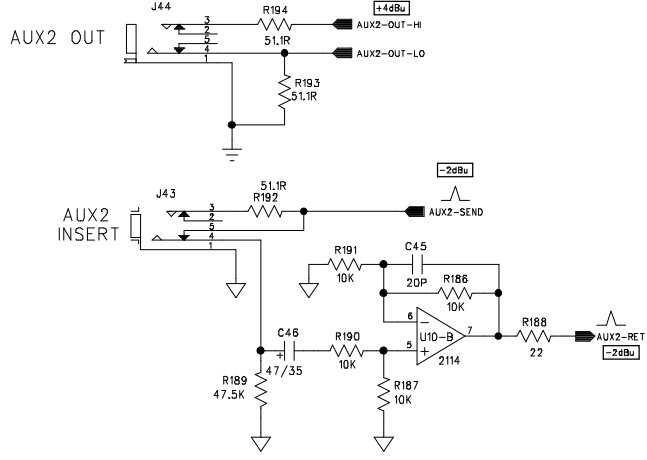
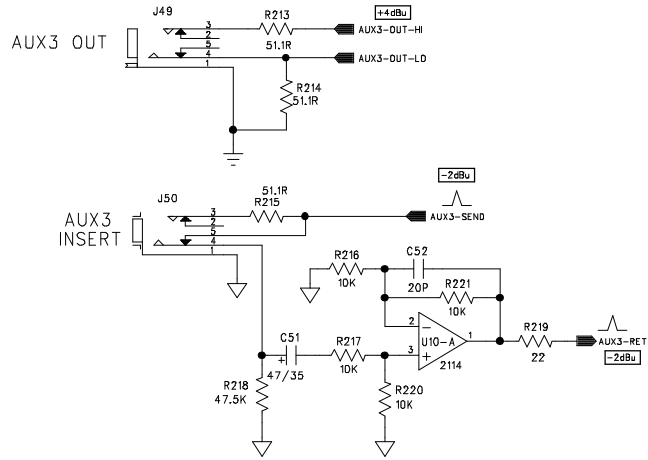
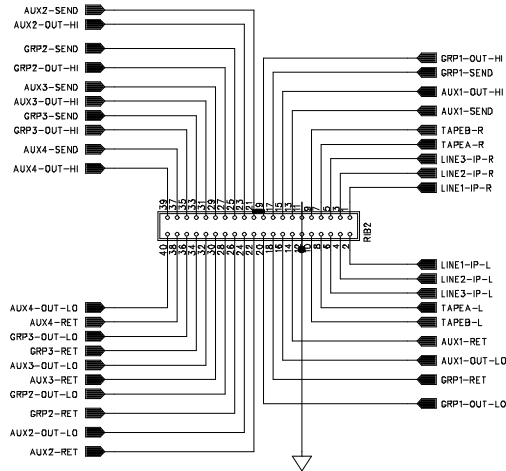
3

2

1

REVISION RECORD			
LTR	ECO NO:	APPROVED:	DATE:

RIBBON TO MASTER BRIDGE PCB



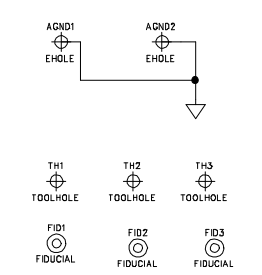
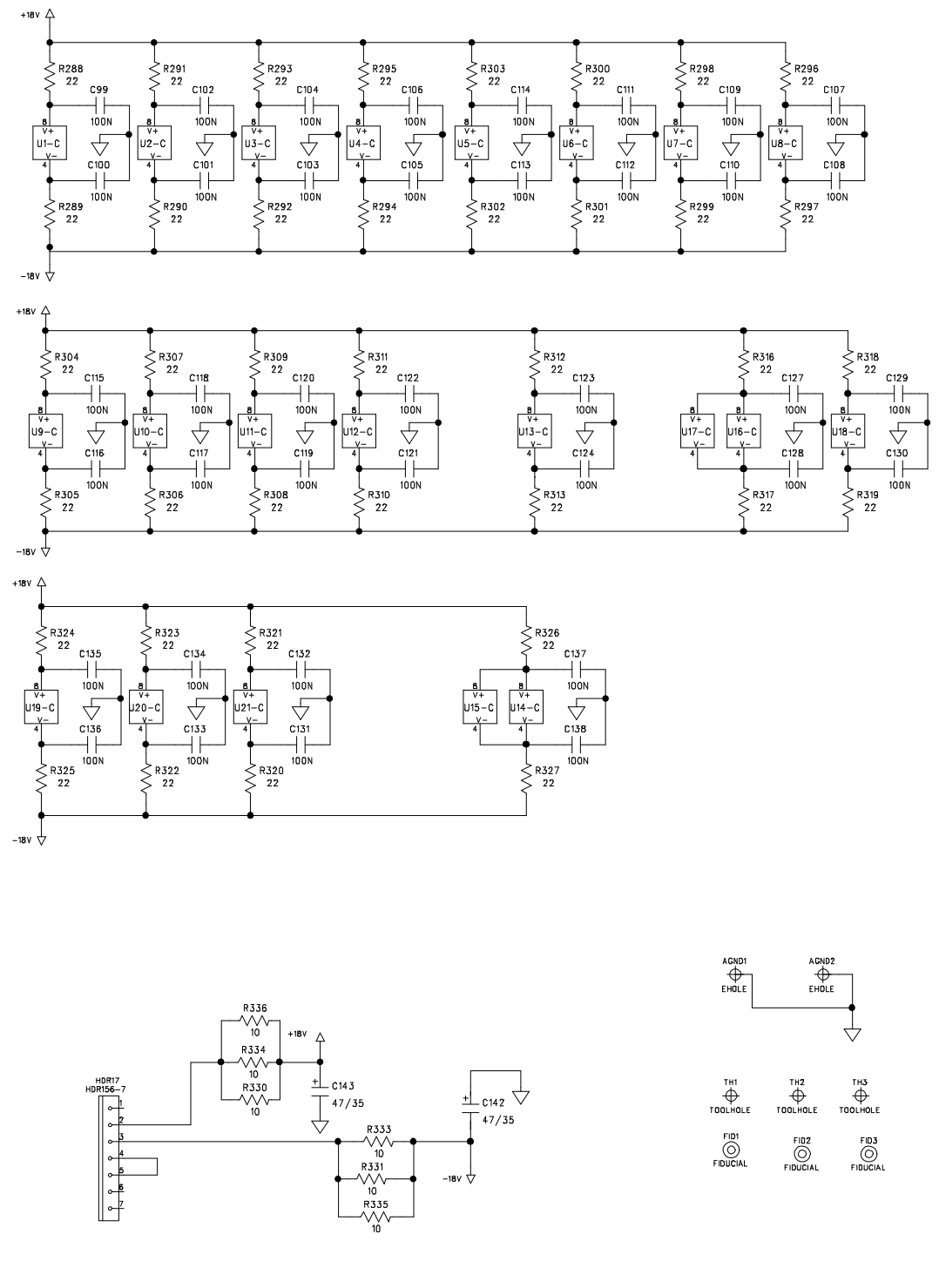
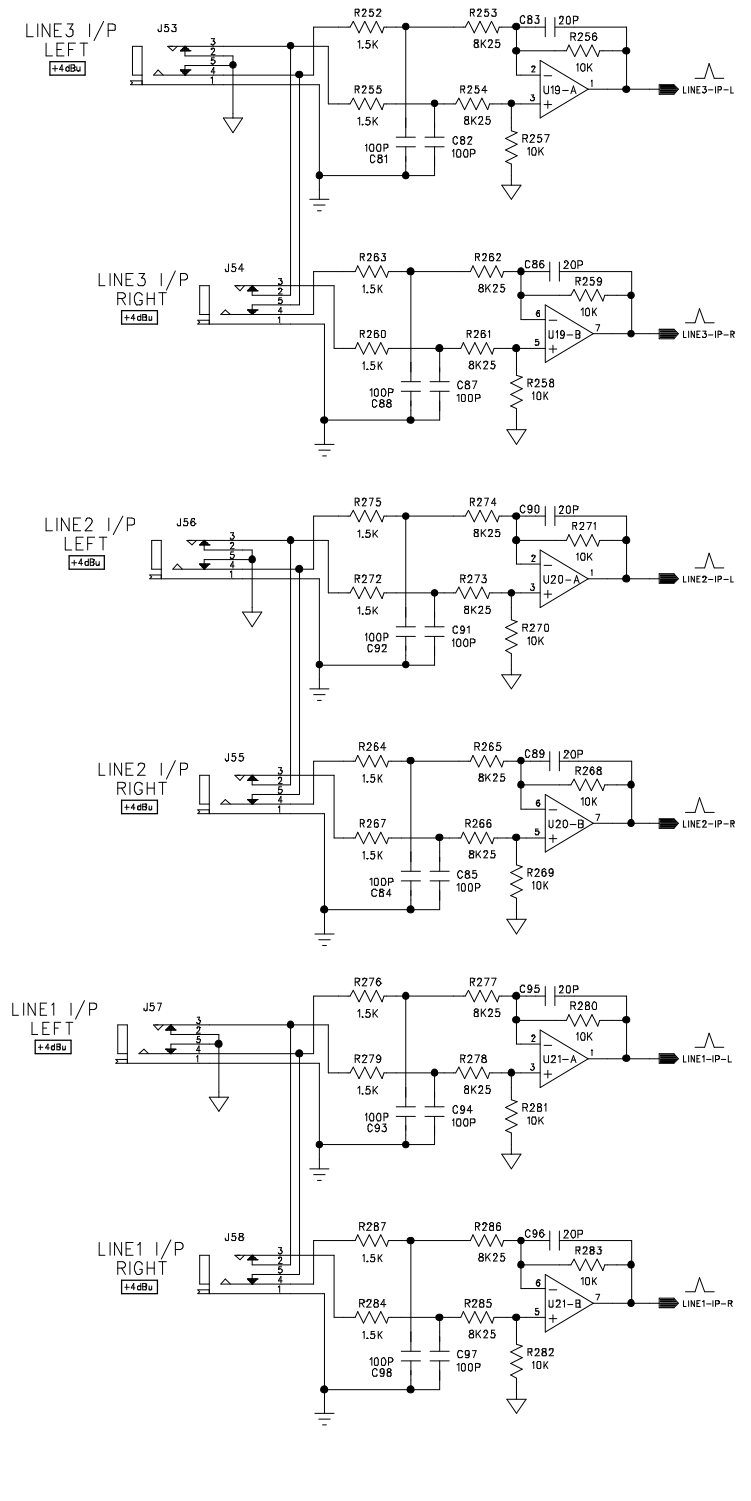
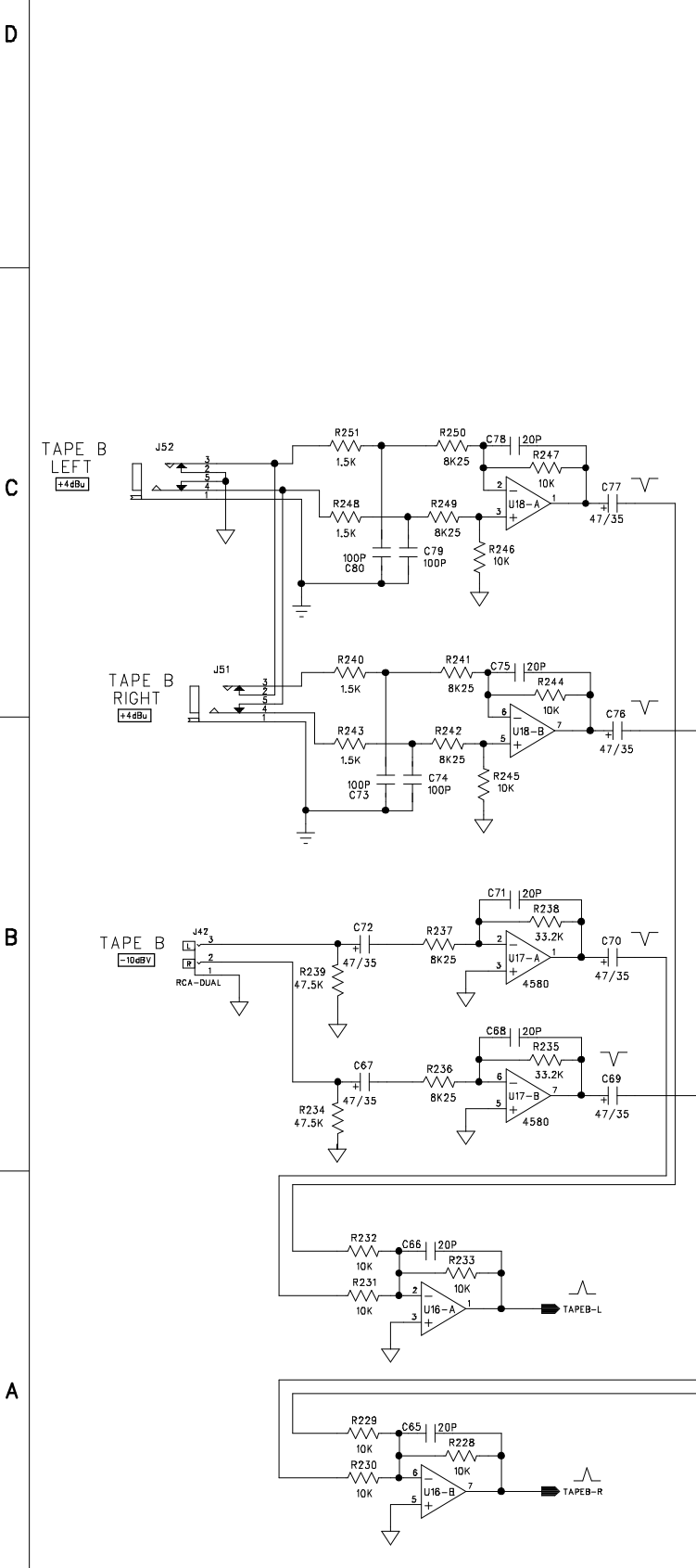
COMPANY: CRESTAUDIO

TITLE: HP810 MASTER CONNECTOR PCB

ORG DRAWN: TAZ	DATED: 5/4/04
CHECKED:	DATED:
CLR REV DRAWN:	DATED:
RELEASED:	DATED:

CODE:	SIZE: D	DRAWING NO: 76D5477	REV: 01
SCALE:		FILE NAME: HPMSTCN1.SCH	
		SHEET: 3 OF 4	

REVISION RECORD			
LTR	ECO NO:	APPROVED:	DATE:



COMPANY: **CRESTAUDIO**

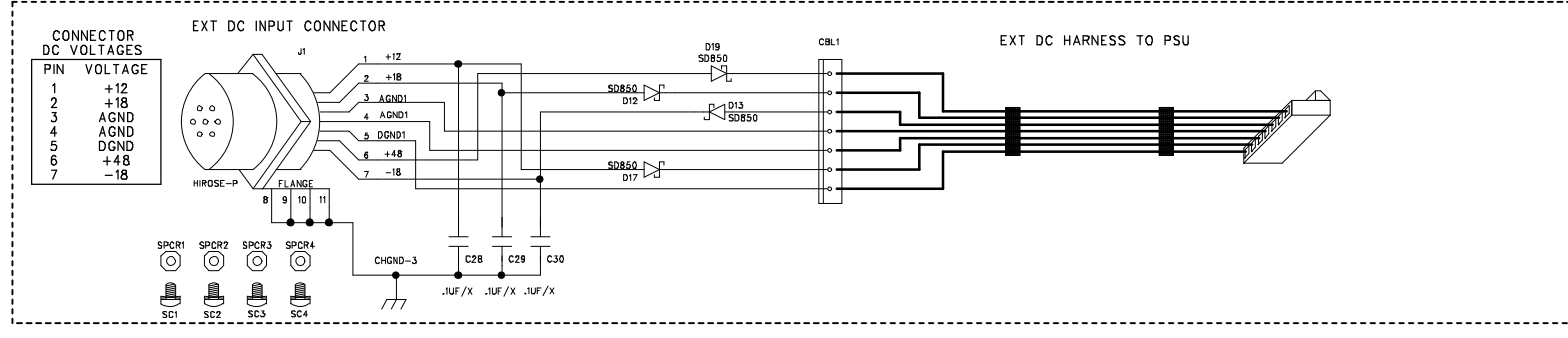
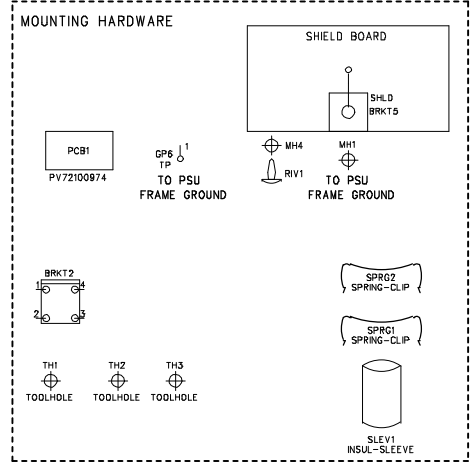
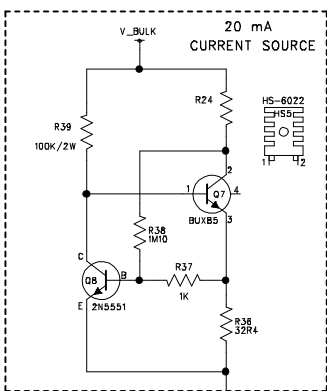
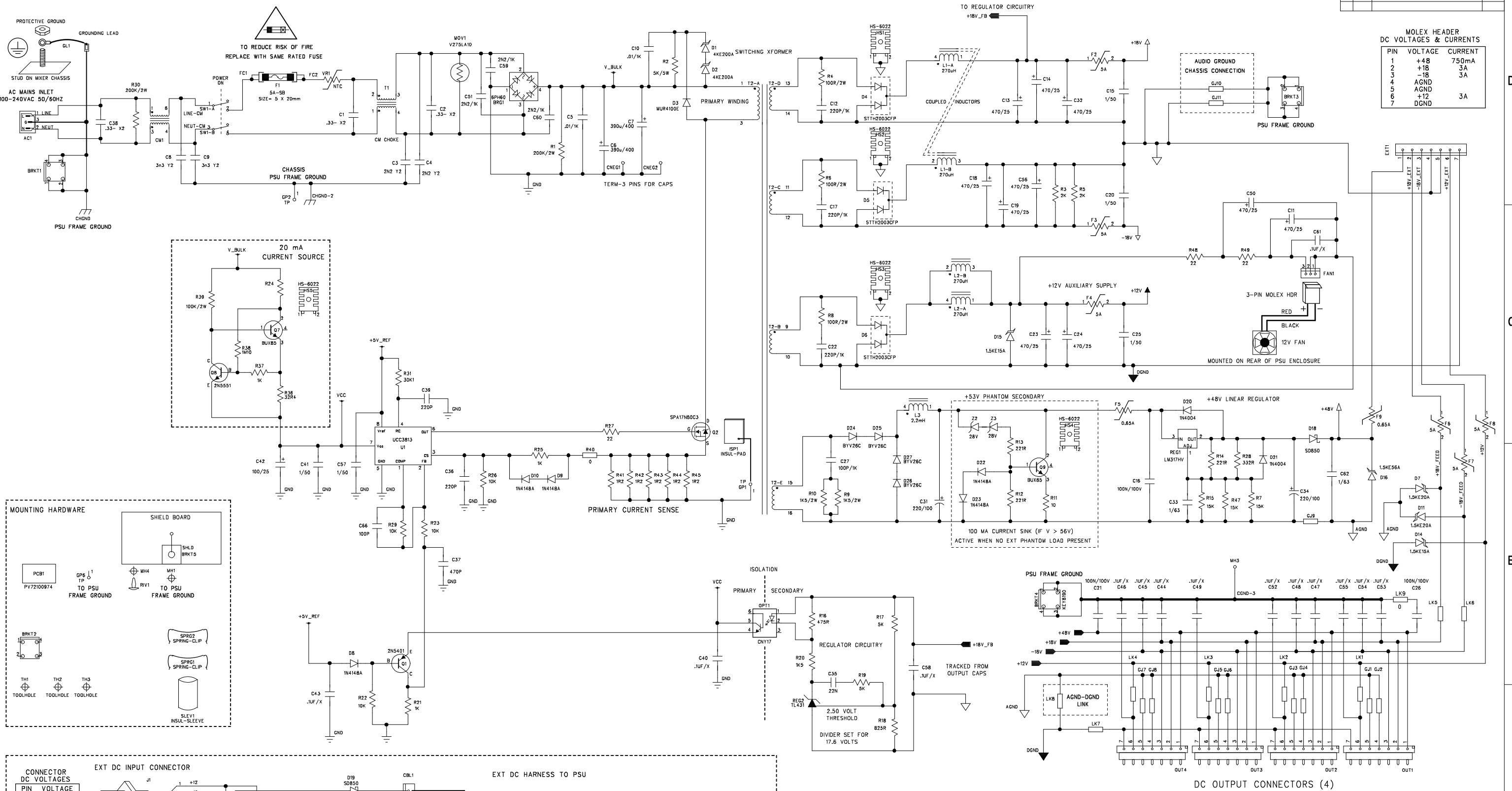
TITLE: **HP810 MASTER CONNECTOR PCB**

ORG DRAWN: TAZ	DATED: 5/4/04	CODE: D	DRAWING NO: 76D5477	REV: 01
CHECKED:	DATED:			
CUR REV DRAWN:	DATED:	FILE NAME: HPMSTCN1.SCH		
RELEASED:	DATED:	SCALE:	SHEET: 4 OF 4	

ORG DRAWN: TAZ	DATED: 5/4/04
CHECKED:	DATED:
CUR REV DRAWN:	DATED:
RELEASED:	DATED:

REVISION RECORD			
REV	ECO	CHANGES	DATE:
A		INITIAL PROTO RUN - QTY=15	DEC-03
B		PROTO RUN 2 - QTY=30	FEB-04

MOLEX HEADER DC VOLTAGES & CURRENTS		
PIN	VOLTAGE	CURRENT
1	+48	750mA
2	+18	3A
3	-18	3A
4	AGND	
5	AGND	
6	+12	
7	DGND	3A



COMPANY: **CRESTAUDIO**

TITLE: **HP-EIGHT SWITCH-MODE PSU 200 WATT UNIVERSAL INPUT**

ORG DRAWN: JRP DATED: NOV-03

CHECKED: DATED:

CUR REV DRAWN: JRP DATED: MAR-04

RELEASED: DATED:

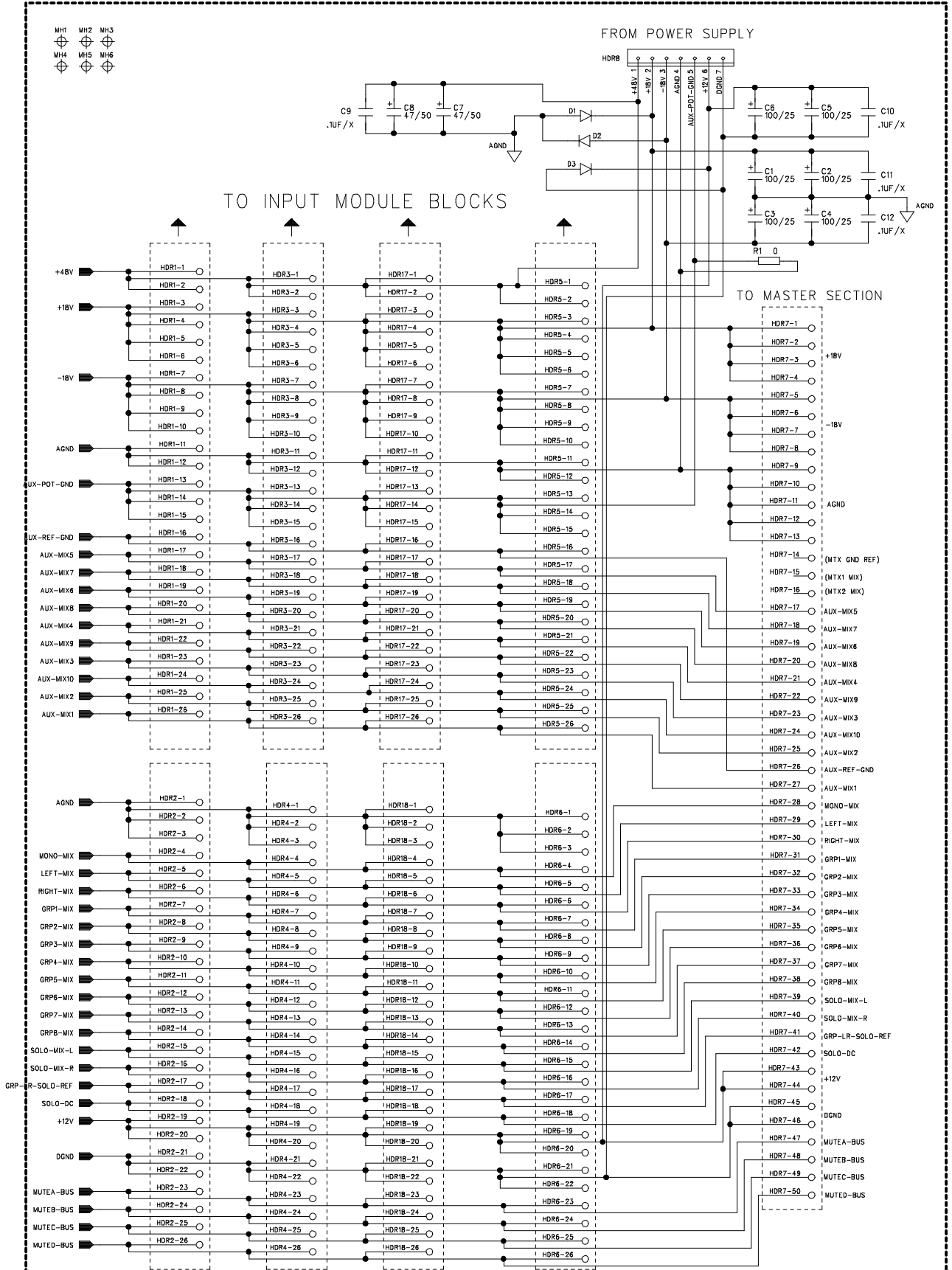
CODE: D SIZE: DRAWING NO: 76D5480

FILE NAME: HP-psu-0.sch

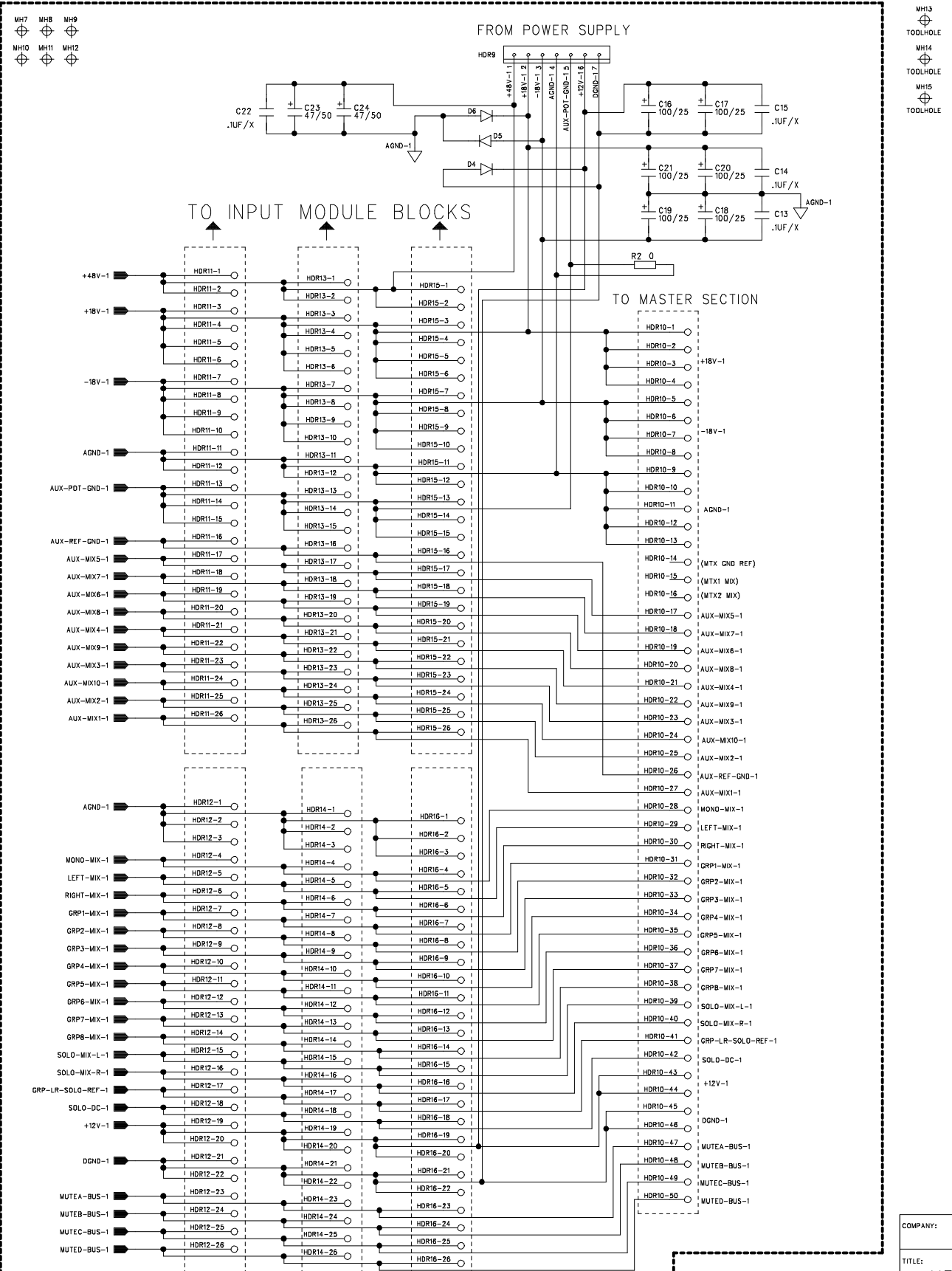
REV: 0

SHEET: 1 OF 2

REVISION RECORD			
TR	ECO NO:	APPROVED:	DATE:
00	HPPDISTO PCB		



POWER DISTRIBUTION LEFT



POWER DISTRIBUTION RIGHT

- MH13 TOOLHOLE
- MH14 TOOLHOLE
- MH15 TOOLHOLE

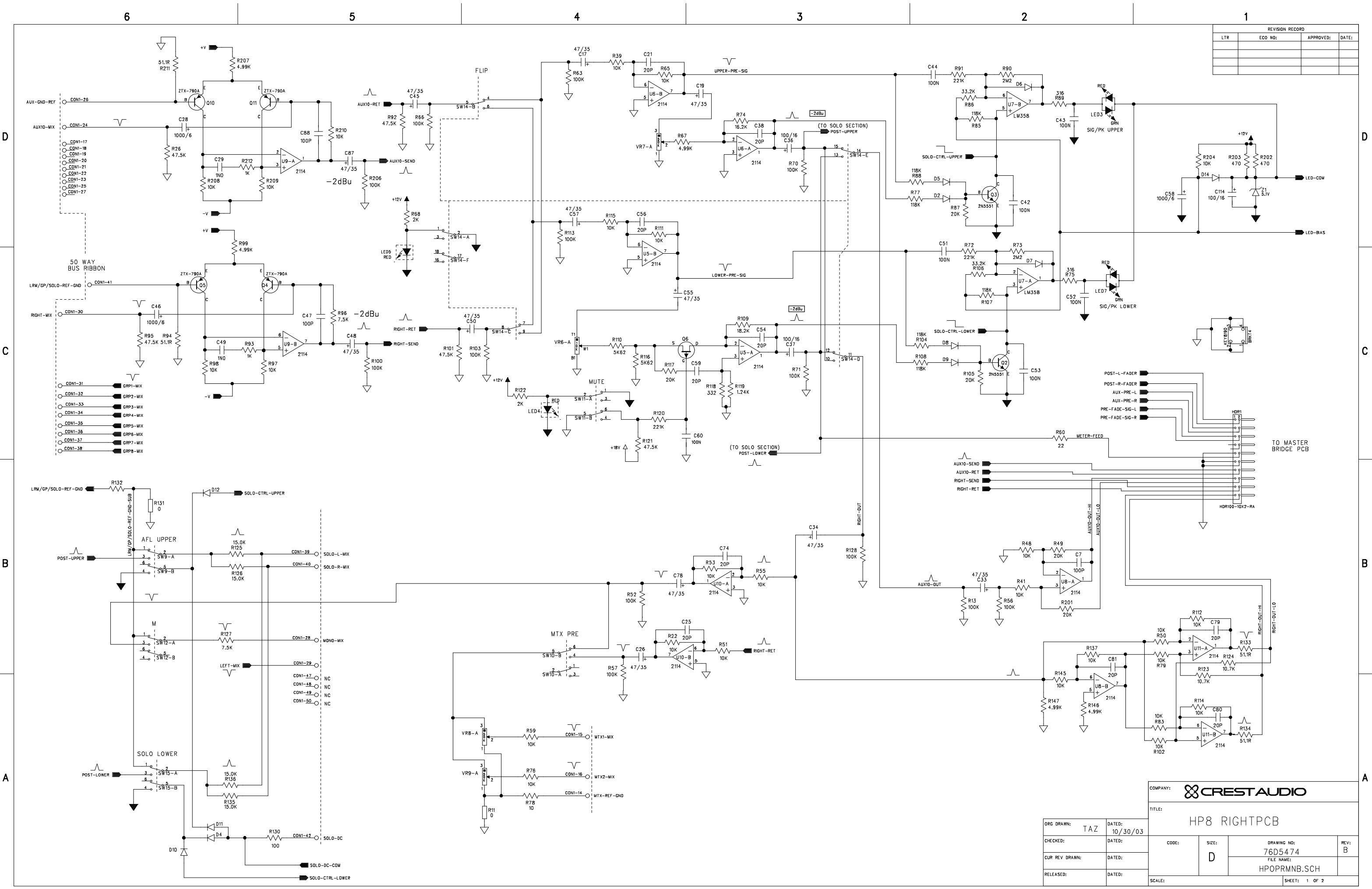
COMPANY: **CRESTAUDIO**

TITLE: **HPEight POWER DISTRO PCB**

ORG DRAWN: TAZ	DATED: 1/19/04	DRAWING NO: 76D5481	REV: 00
CHECKED:	DATED:		
CUR REV DRAWN:	DATED:	FILE NAME: HPPDISTO.SCH	
RELEASED:	DATED:	SCALE:	SHEET: 1 OF 1

PCB1 PV2100975

REVISION RECORD			
LTR	ECO NO:	APPROVED:	DATE:

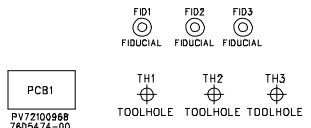
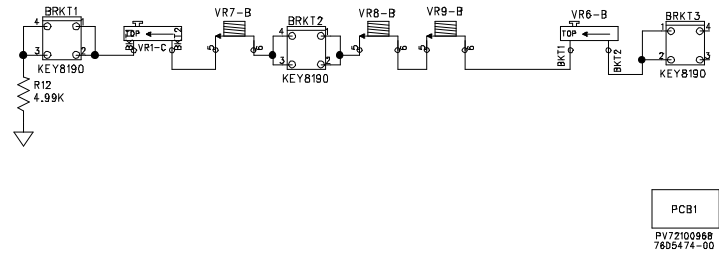
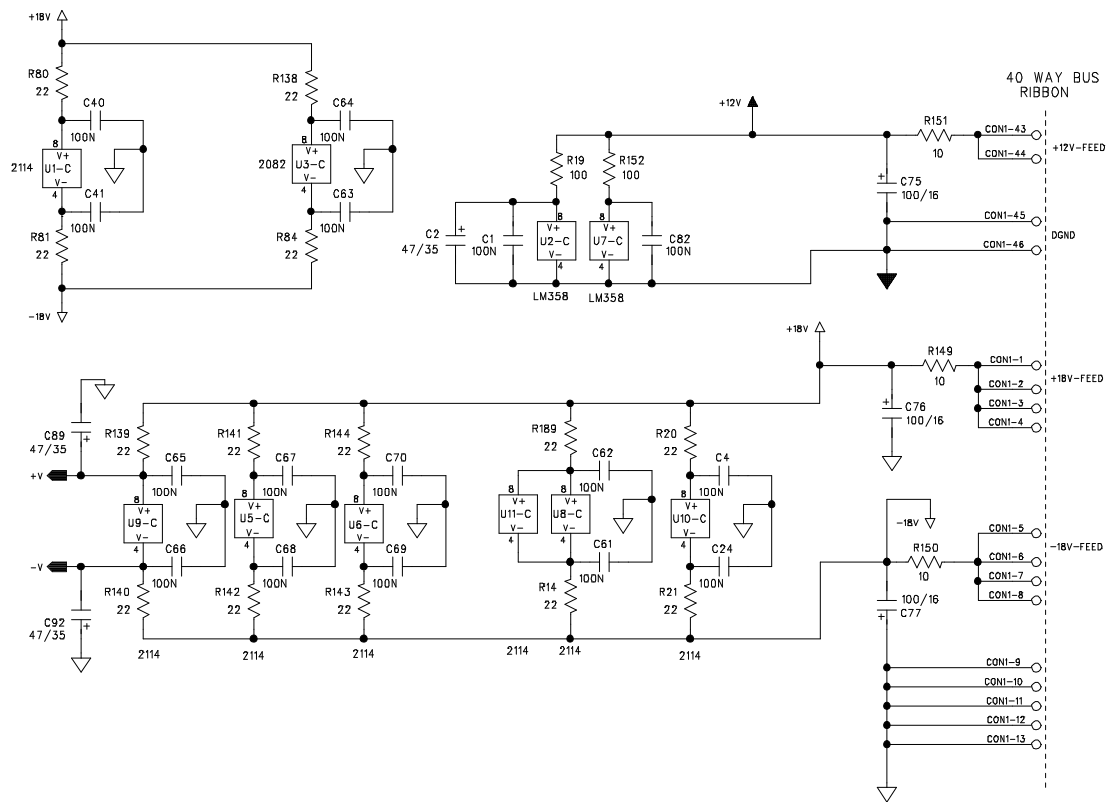
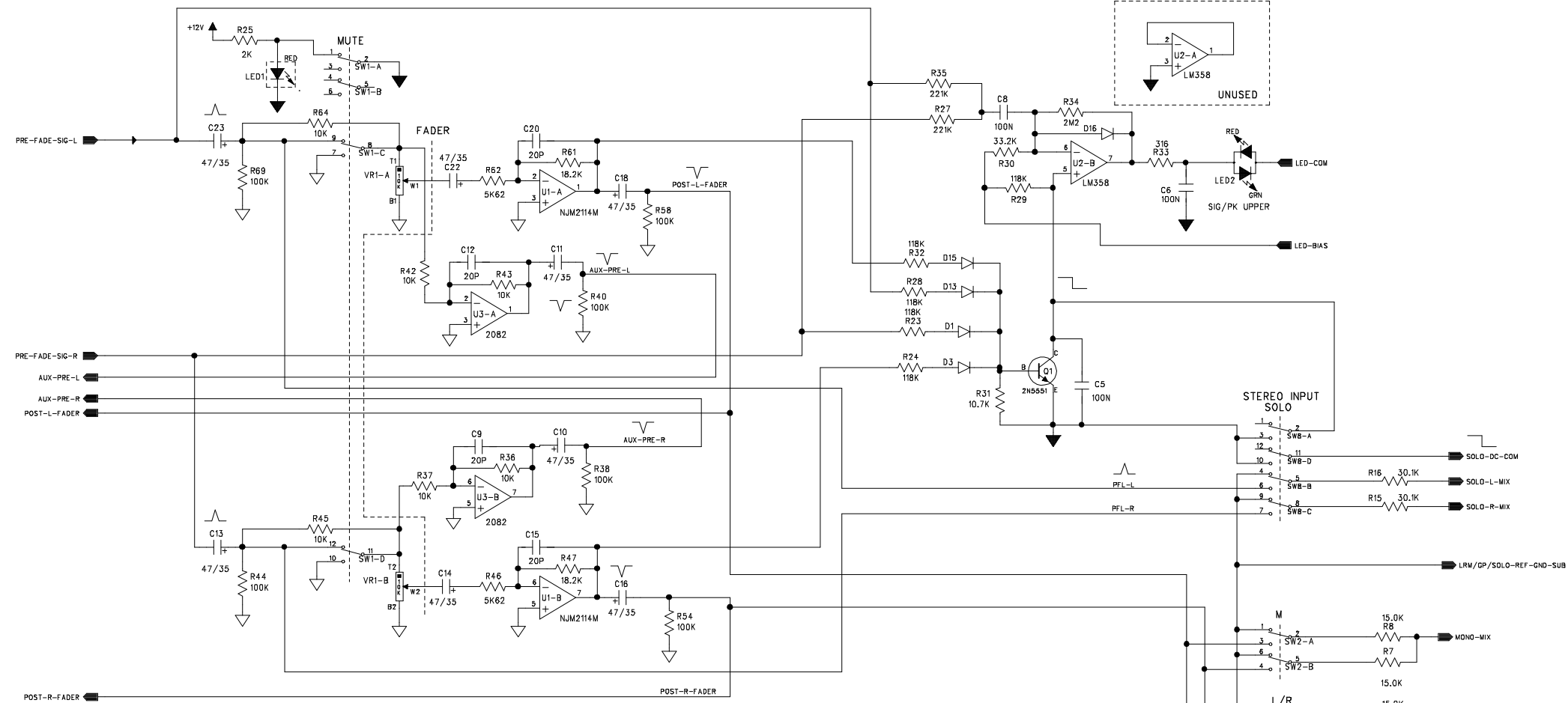


COMPANY: **CRESTAUDIO**

TITLE: **HP8 RIGHT PCB**

ORG DRAWN: TAZ	DATED: 10/30/03	CODE: D	SIZE: D	DRAWING NO: 76D5474	REV: B
CHECKED:	DATED:	FILE NAME: HPOPRMNB.SCH		SHEET: 1 OF 2	
CLUR REV DRAWN:	DATED:	SCALE:			
RELEASED:	DATED:	SCALE:			

REVISION RECORD			
LTR	ECO NO:	APPROVED:	DATE:



ORG DRAWN: TAZ	DATED: 10/30/03
CHECKED:	DATED:
CLUR REV DRAWN:	DATED:
RELEASED:	DATED:

COMPANY: **CRESTAUDIO**

TITLE: **HP8 RIGHT PCB**

CODE: D	SIZE: D	DRAWING NO: 76D5474	REV: B
FILE NAME: HPOPRMNB.SCH		SCALE: SHEET: 2 OF 2	

6

5

4

3

2

1

REVISION RECORD			
LTR	ECO NO:	APPROVED:	DATE:

REVISION RECORD					
REV LEVEL	ASMBLY LEVEL	DATE	ECO	ENG.	DESCRIPTION
A	A	9/03		TAZ	PROTOTYPE PCB
B	A	10/29/03		TAZ	PCB REVISION FROM A TO B MOVED ALL SWITCHES UP BY 0.060" TO USE NEW SWITCH CAPS SO AS SAME HEIGHT AS SWITCHES ON INPUT MODULES - INTERNAL WORKING LEVEL CHANGE FROM +4dBu TO -2dBu CHANGE R74 FROM 30.1K TO 16K2 CHANGE R109 FROM 33K2 TO 18K25 CHANGE R87, R105 FROM 10K7 TO 20K CHANGE R49, R201 FROM 10K TO 20K CHANGE C7 FROM 100pF TO 39 pF CHANGE R125, R126, R136, R135 FROM 30.1K TO 15K CHANGE R127 FROM 15K TO 7K5 CHANGE R112, R114 FROM 4K99 TO 10K CHANGE R123, R124 FROM 5K62 TO 10.7K - MUTE TRIM CHANGE R118 FROM 499R TO 187R - REMOVE GLITCH THAT OCCURRS WHEN SOLO SWITCH RELEASED ADD C3 AND C27 (100nF)
B	A	1/20/04		TAZ	PCB REVISION FROM B TO 00 - PRODUCTION RELEASE - REMOVE C3 AND C27 (100nF) - CAUSING GLOBAL SOLO GLITCHING - MUTE TRIM CHANGE R118 FROM 187R TO 332R CHANGE R119 FROM 2K TO 1.24K

D

C

B


A

D

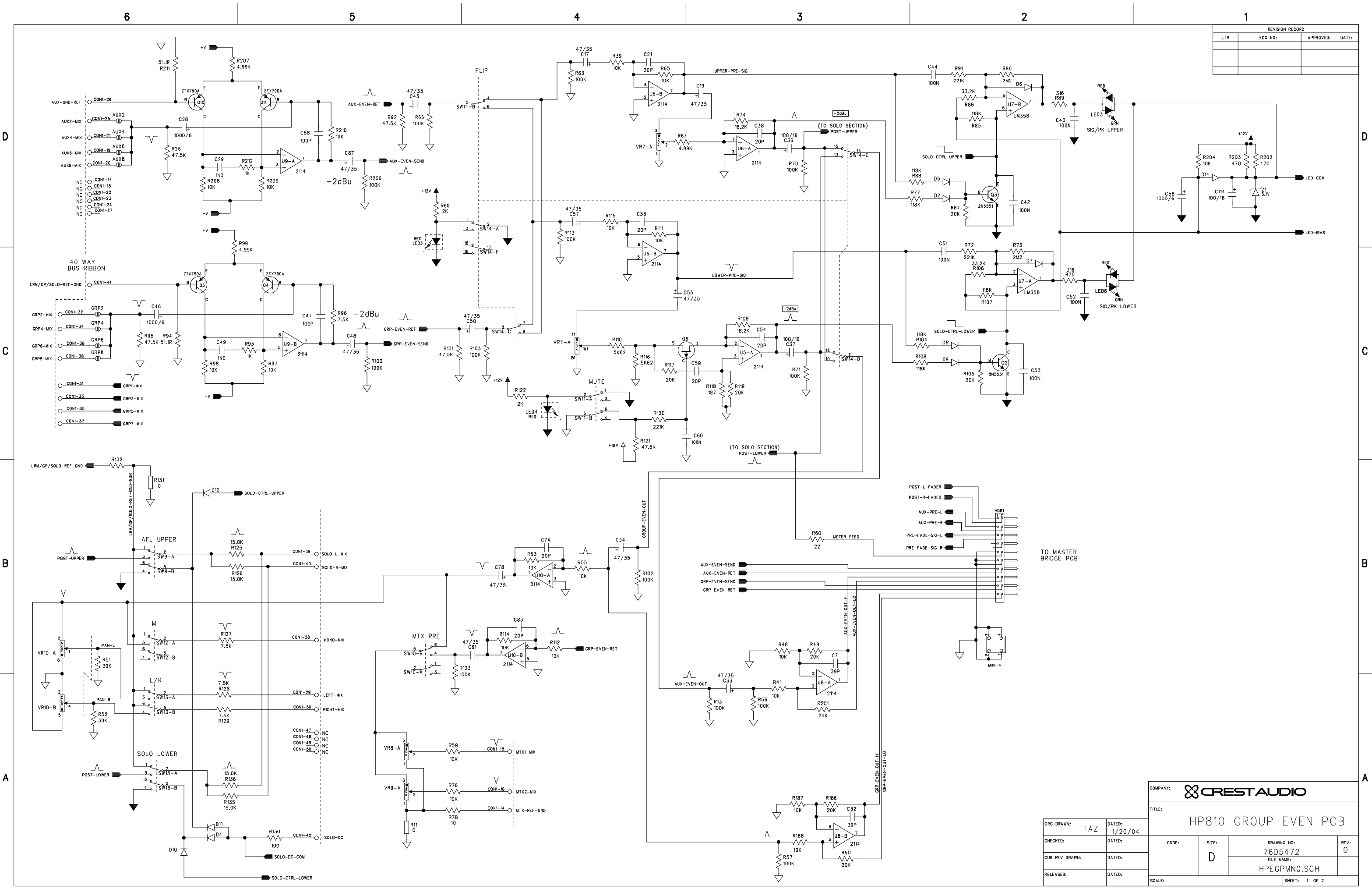
C

B

A

ORG DRAWN: TAZ		DATED: 10/30/03		COMPANY: 	
CHECKED:		DATED:		TITLE: HP8 RIGHT PCB	
CUR REV DRAWN:		DATED:		CODE:	SIZE: D
RELEASED:		DATED:		DRAWING NO: 76D5474	REV: B
SCALE:				FILE NAME: HPOPRMNB.SCH	
				SHEET: 1 OF	

REVISION RECORD			
LTR	ECO NO:	APPROVED:	DATE:



TO MASTER BRIDGE PCB

COMPANY: CRESTAUDIO		TITLE: HP810 GROUP EVEN PCB	
ORG DRAWN: TAZ	DATED: 1/20/04	CODE: D	SIZE: D
CHECKED:	DATED:	DRAWING NO: 76D5472	REV: 0
CLR REV DRAWN:	DATED:	FILE NAME: HPEGPMNO.SCH	SCALE:
RELEASED:	DATED:	SHEET: 1 OF 2	

REVISION RECORD			
LTR	ECCO NO:	APPROVED:	DATE:

D

D

C

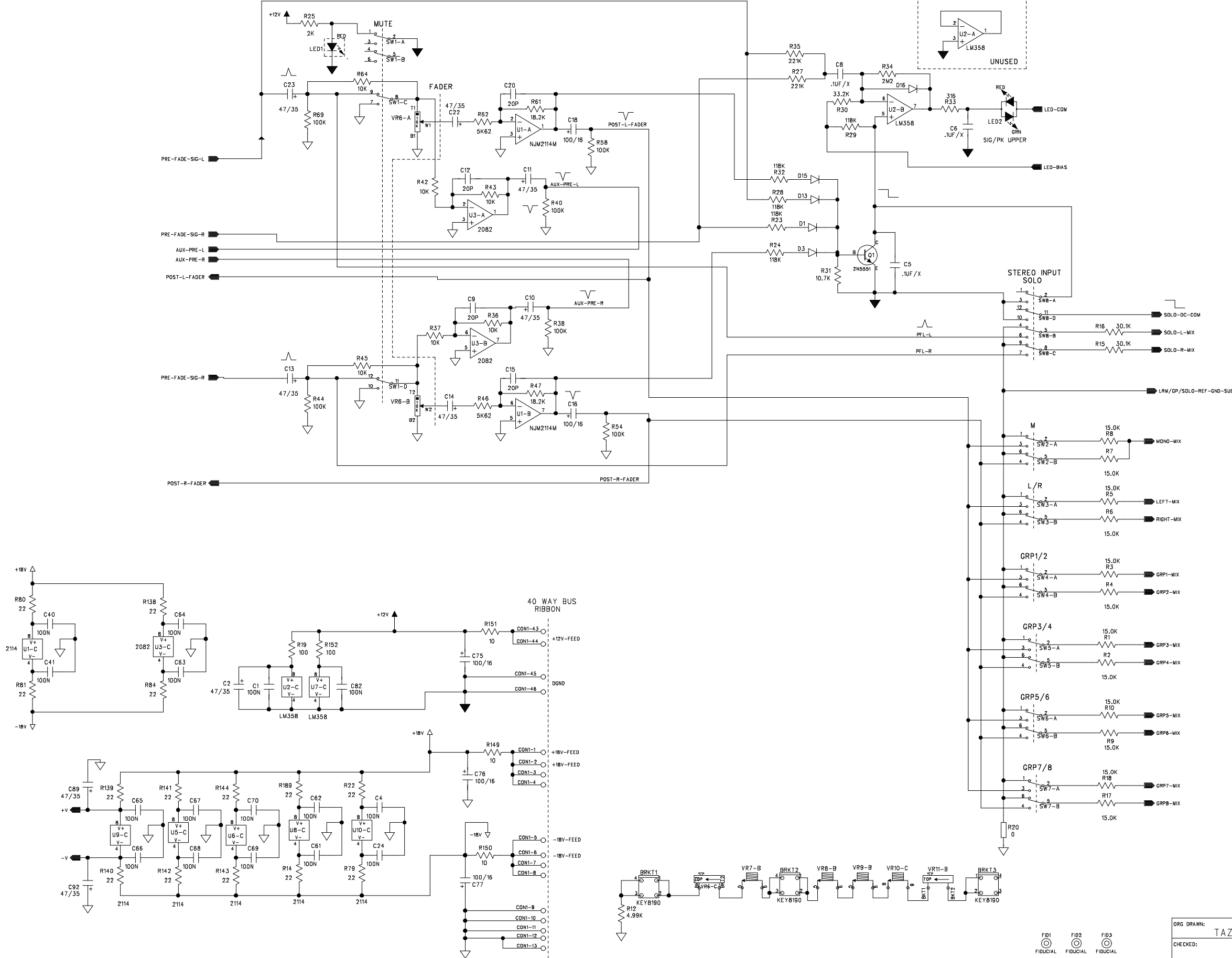
C

B

B

A

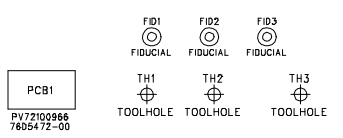
A



COMPANY: **CRESTAUDIO**

TITLE: **HP810 EVEN GROUP PCB**

ORG DRAWN: TAZ	DATED: 1/20/04	CODE: D	SIZE: D	DRAWING NO: 76D5472	REV: 00
CHECKED:	DATED:	CUR REV DRAWN:	DATED:	FILE NAME: HPEGPMNO.SCH	SCALE:
RELEASED:	DATED:	SHEET: 2 OF 2			



6

5

4

3

2

1

REVISION RECORD			
LTR	ECO NO:	APPROVED:	DATE:

REVISION RECORD					
REV LEVEL	ASMBLY LEVEL	DATE	ECO	ENG.	DESCRIPTION
A	A	9/03		TAZ	PROTOTYPE PCB
B	A	10/29/03		TAZ	PCB REVISION FROM A TO B MOVED ALL SWITCHES UP BY 0.060" TO USE NEW SWITCH CAPS SO AS SAME HEIGHT AS SWITCHES ON INPUT MODULES - INTERNAL WORKING LEVEL CHANGE FROM +4dBu TO -2dBu CHANGE R74 FROM 30.1K TO 16K2 CHANGE R109 FROM 33K2 TO 18K25 CHANGE R87, R105 FROM 10K7 TO 20K CHANGE R49, R201, R186, R50 FROM 10K TO 20K CHANGE C7, C32 FROM 100pF TO 39 pF CHANGE R125, R126, R136, R135 FROM 30.1K TO 15K CHANGE R127, R128, R129 FROM 15K TO 7K5 - MUTE TRIM CHANGE R118 FROM 499R TO 187R - REMOVE GLITCH THAT OCCURRS WHEN SOLO SWITCH RELEASED ADD C3 AND C25 (100nF) -CORRECT PAN LOAD - CHANGE R51 AND R52 FROM 10K7 TO 39K
00	A	1/20/03		TAZ	PCB REVISION FROM B TO 00 - PRODUCTION RELEASE - REMOVE C3 AND C25 (100nF) - CAUSING CONSOLE SOLO GLITCHING. - MUTE TRIM CHANGE R119 FROM 2K TO 20K

D

C

B


A

D

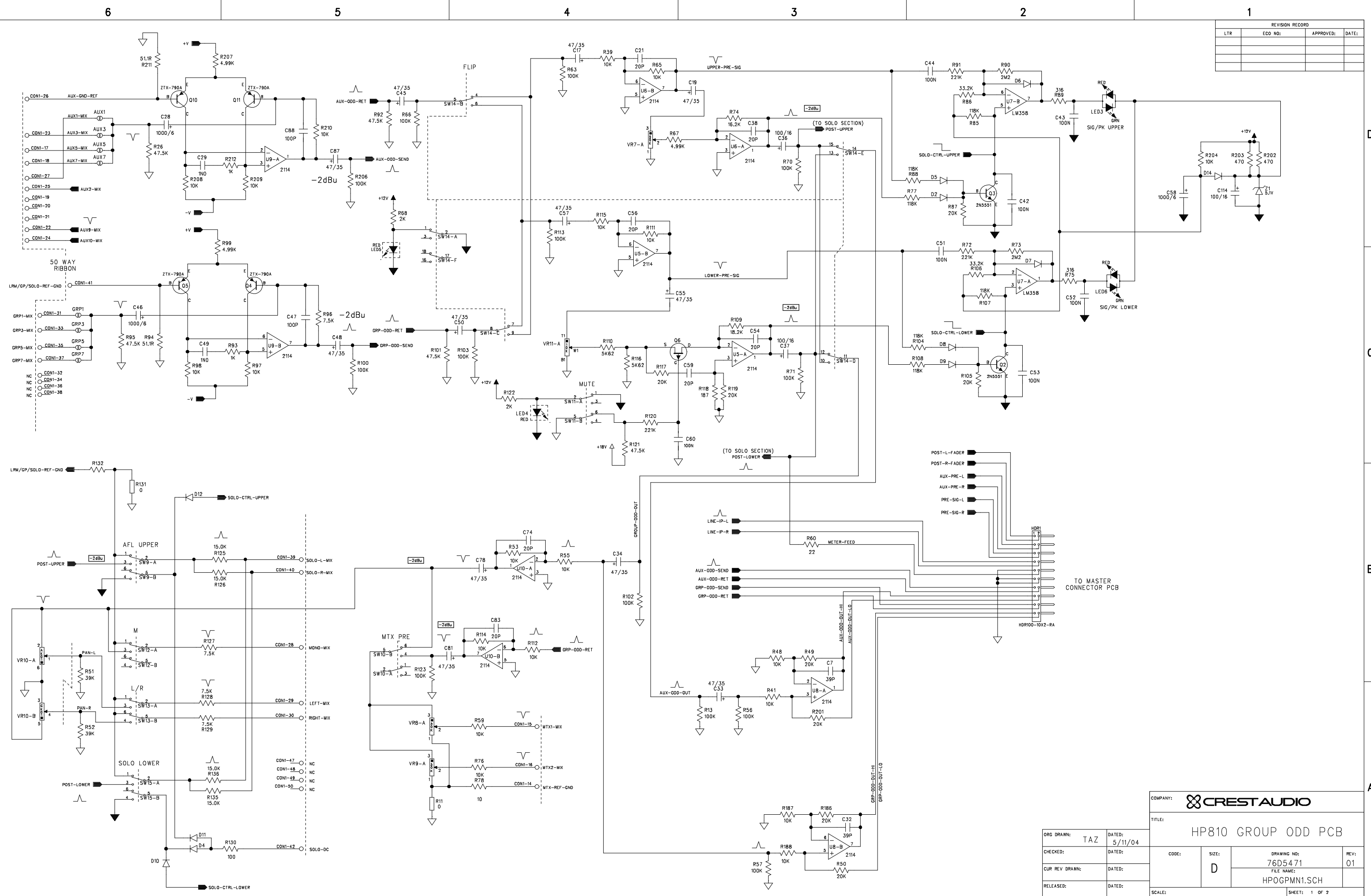
C

B

A

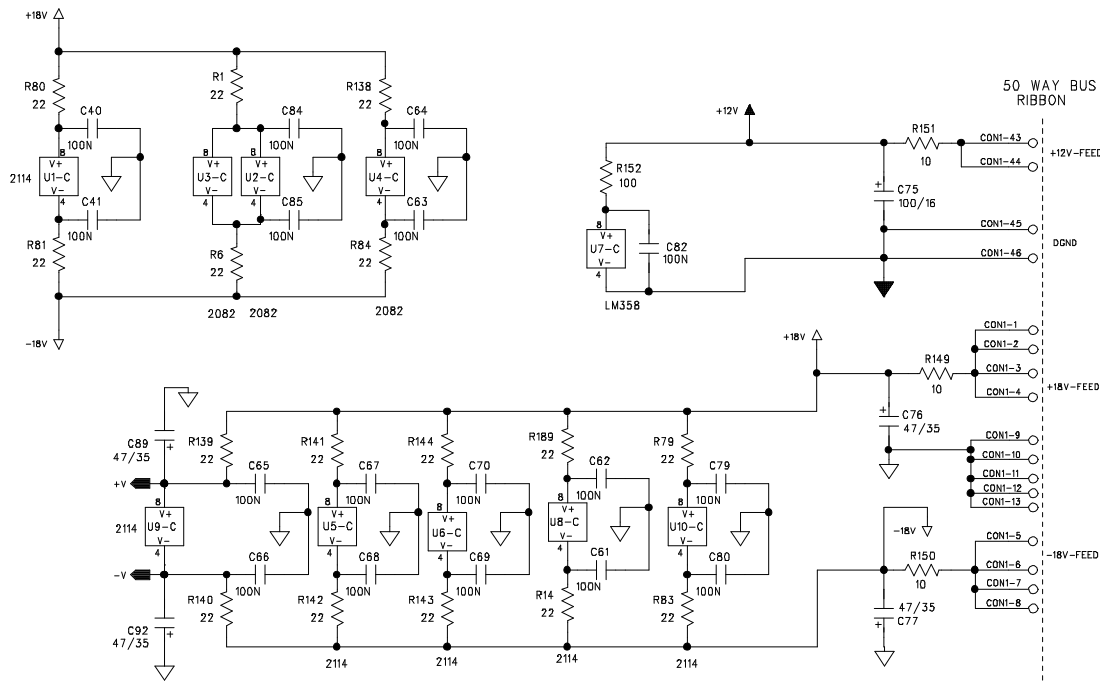
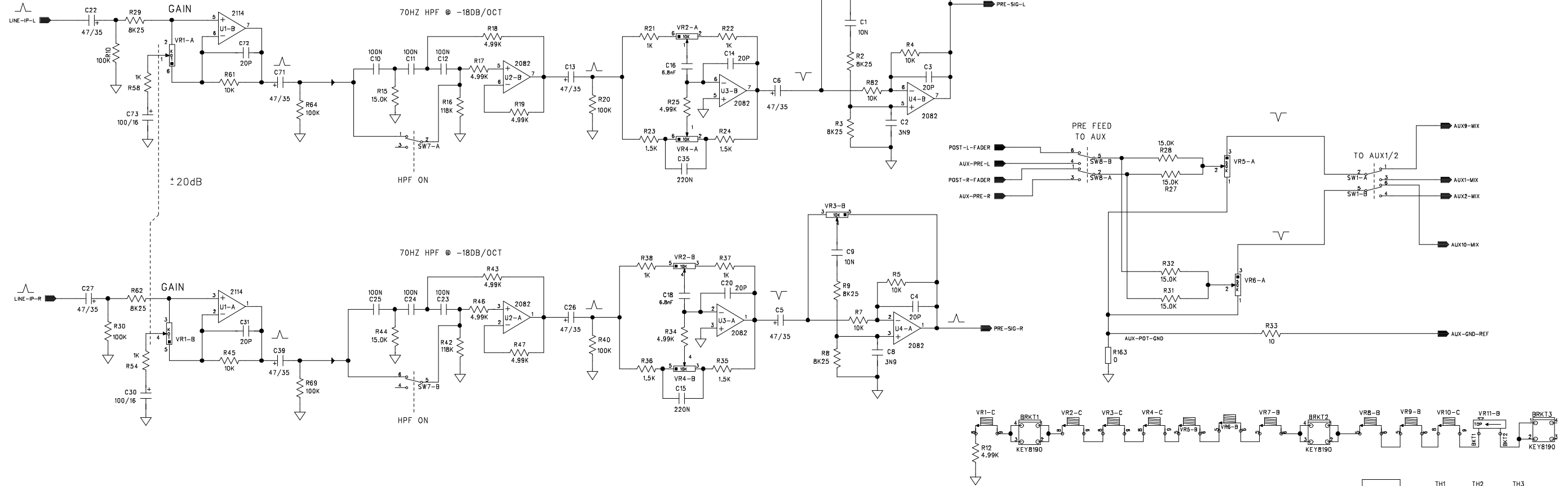
ORG DRAWN: TAZ		DATED: 1/20/04		COMPANY: 	
CHECKED:		DATED:		TITLE: HP8 GROUP EVEN PCB	
CUR REV DRAWN:		DATED:		CODE:	SIZE: D
RELEASED:		DATED:		DRAWING NO: 76D5472	REV: 0
				FILE NAME: HPEGPMNO.SCH	
SCALE:				SHEET: OF	

REVISION RECORD			
LTR	ECO NO:	APPROVED:	DATE:

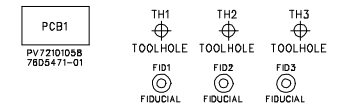


COMPANY: CRESTAUDIO		TITLE: HP810 GROUP ODD PCB	
ORG DRAWN: TAZ	DATED: 5/11/04	CODE: D	REV: 01
CHECKED:	DATED:	SIZE:	DRAWING NO: 76D5471
CUR REV DRAWN:	DATED:	FILE NAME:	HPOGPMN1.SCH
RELEASED:	DATED:	SCALE:	SHEET: 1 OF 2

REVISION RECORD			
LTR	ECO NO:	APPROVED:	DATE:



REVISION RECORD						
REV LEVEL	ASMBY LEVEL	DATE	ECO	ENG.	DESCRIPTION	
A	A	9/03		TAZ	PROTOTYPE PCB	
B	A	10/29/03	DCO 1339	TAZ	PCB REVISION FROM A TO B MOVED ALL SWITCHES UP BY 0.060" TO USE NEW SWITCH CAPS SO AS SAME HEIGHT AS SWITCHES ON INPUT MODULES - INTERNAL WORKING LEVEL CHANGE FROM +4dBu TO -2dBu CHANGE R74 FROM 30.1K TO 16K2 CHANGE R109 FROM 33K2 TO 18K25 CHANGE R87, R105 FROM 10K7 TO 20K CHANGE R49, R201, R186, R50 FROM 10K TO 20K CHANGE C7, C32 FROM 100pF TO 39 pF CHANGE R125, R126, R136, R135 FROM 30.1K TO 15K CHANGE R127, R128, R129 FROM 15K TO 7K5 - MUTE TRIM CHANGE R118 FROM 499R TO 187R - REMOVE GLITCH THAT OCCURS WHEN SOLO SWITCH RELEASED ADD C86 AND C90 (100nF) - CHANGE STEREO RETURN MID EQ TO PEAKING AT 2KHz CHANGE C1, C9 FROM 5N6 TO 10N CHANGE C2, C8 FROM 2N2 TO 3N9 -CORRECT PAN LOAD - CHANGE R51 AND R52 FROM 10K7 TO 39K - CORRECT ERROR CHANGE R45 FROM 15K TO 10K	
00	A	1/14/03		TAZ	PCB REVISION FROM B TO 00 - RELEASE TO PRODUCTION REMOVE C86 AND C90 (100nF) - CAUSING ALL SOLO'S ON CONSOLE TO GLITCH LED3 MECHANICALLY POSITIONED 0.050" LOW. MUTE TRIM - CHANGE R119 FROM 2K TO 20K	
01	A	5/11/03		TAZ	PCB REVISION FROM 00 TO 01 - AUX9/10 SPEC IMPROVE CHANGED TRACKING OF STEREO FEED TO AUX 9/10 (IMPROVE NOISE/XTALK SPEC) CHANGE VR5 AND VR6 FROM DUAL TO SINGLE POT ADDED SW1 (INTERNAL SWITCH FOR OPTION SELECT)	



COMPANY: **CRESTAUDIO**

TITLE: **HP810 ODD GROUP PCB**

ORG DRAWN: TAZ DATED: 5/11/04

CHECKED: DATED:

CLUR REV DRAWN: DATED:

RELEASED: DATED:

CODE: D SIZE: DRAWING NO: 76D5471 REV: 01

FILE NAME: HPOGPMN1.SCH

SCALE: SHEET: 2 OF 2