

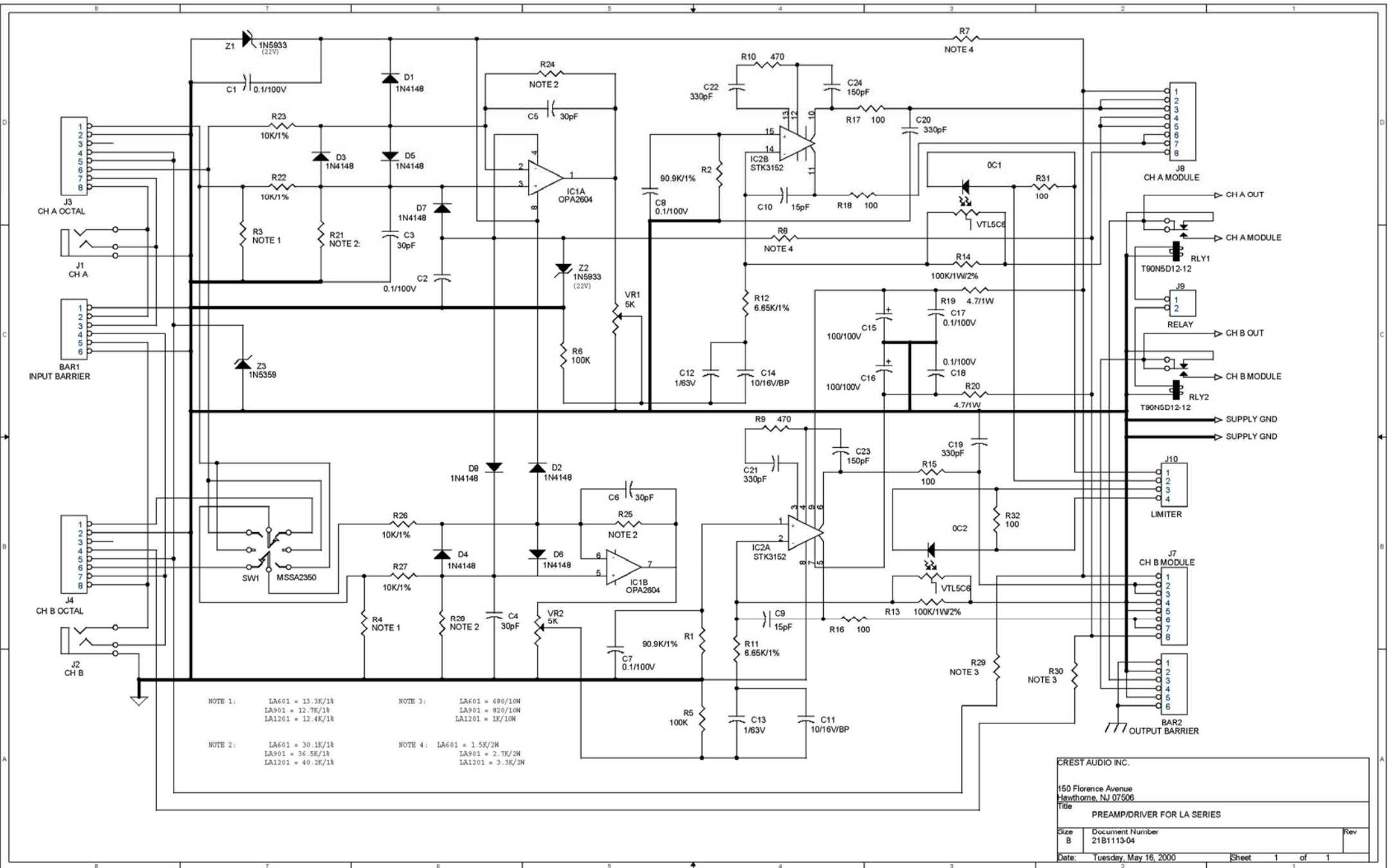


Schematic set

LA Series power amplifiers

1. LA 601 / 901 / 1201 Preamp
2. LA 601 Power supply
3. LA 901 / 1201 Power supply
4. LA 601 Output stage
5. LA 901 Output stage
6. LA 1201 Output stage

Note: The images in this schematic set are formatted for printing on 11" X 17" tabloid size paper. The schematic set can be printed on 8.5" X 11" paper by using the "Shrink to fit" option in Adobe Acrobat reader, however some of the details will be very small.



NOTE 1: LA601 = 13.3K/1%
 LA901 = 12.7K/1%
 LA1201 = 12.4K/1%

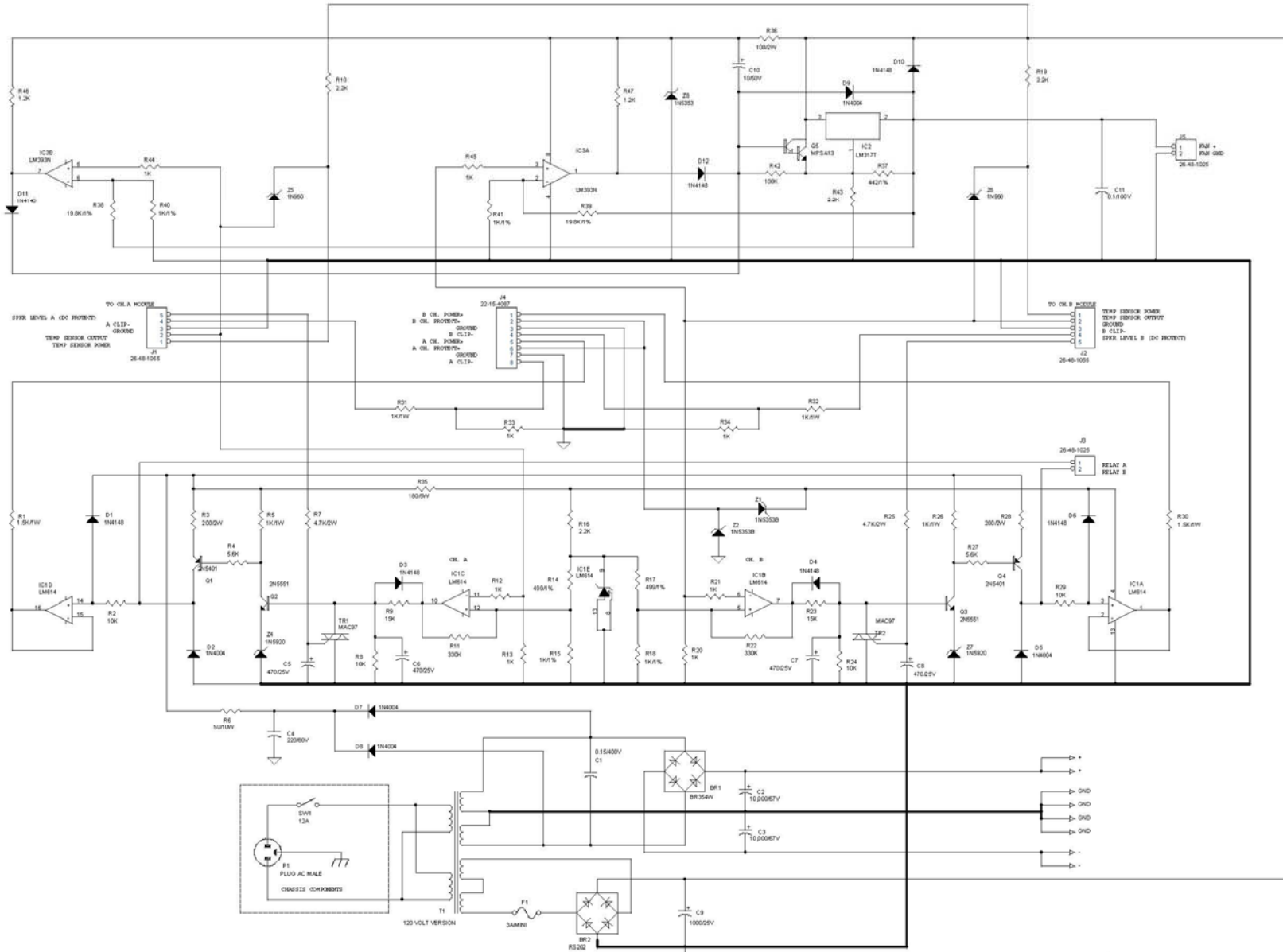
NOTE 2: LA601 = 30.1K/1%
 LA901 = 36.5K/1%
 LA1201 = 40.2K/1%

NOTE 3: LA601 = 680/10W
 LA901 = 920/10W
 LA1201 = 1K/10W

NOTE 4: LA601 = 1.5K/2W
 LA901 = 2.7K/2W
 LA1201 = 3.3K/2W

CREST AUDIO INC.
 150 Florence Avenue
 Hawthorne, NJ 07506
 Title: PREAMP/DRIVER FOR LA SERIES

Size B	Document Number 21B1113-04	Rev
Date: Tuesday, May 16, 2000	Sheet 1	of 1

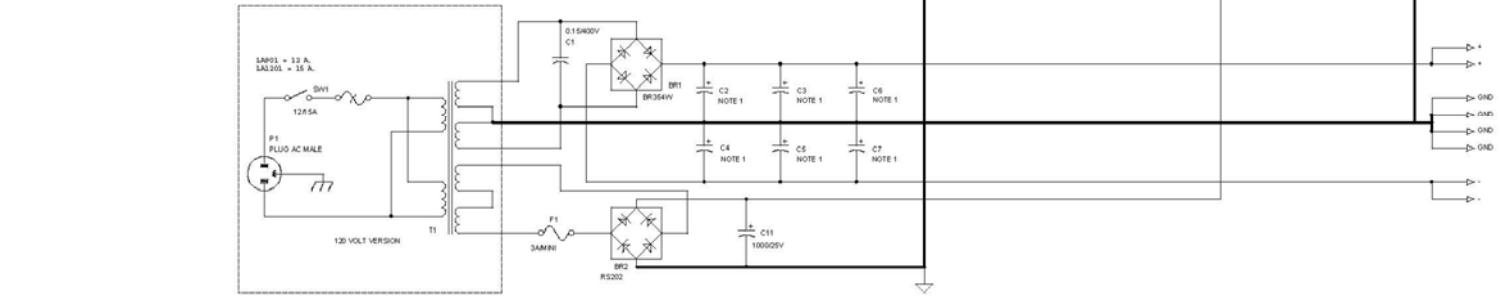
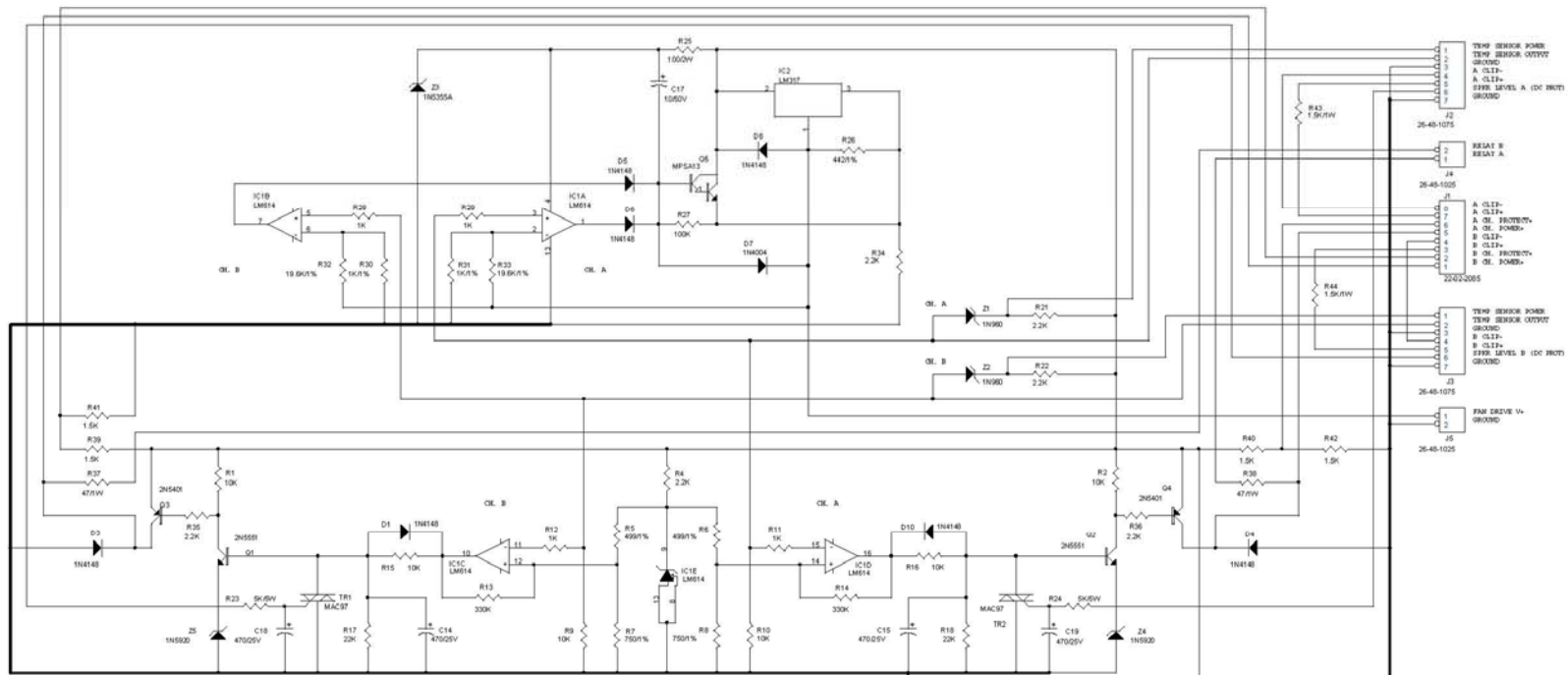


CREST AUDIO INC.
150 Florence Ave.
Horseshoe NJ 07506

REV: LAB9 POWER SUPPLY PCB SCHEMATIC

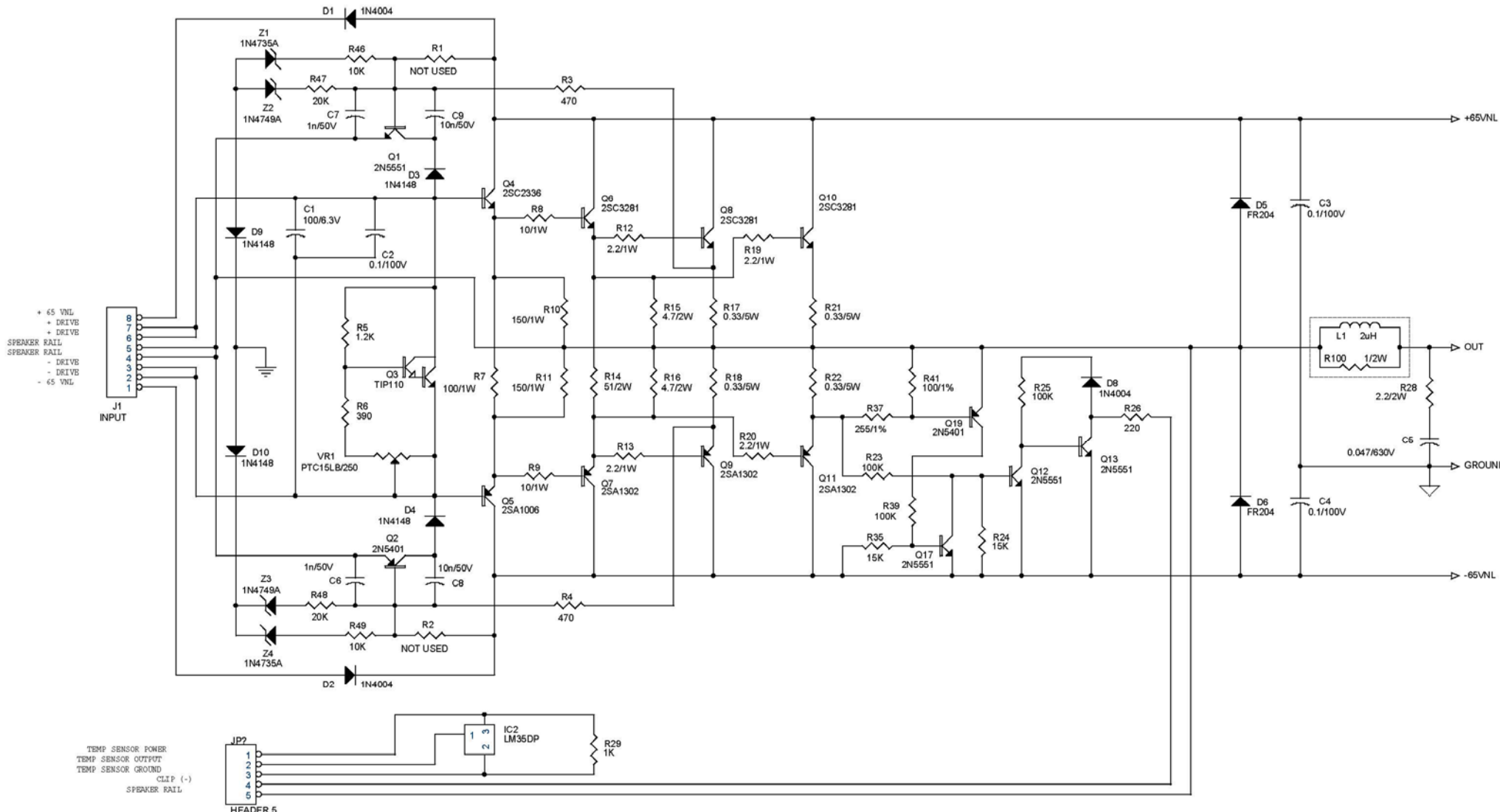
SHEET: 01
DOCUMENT NUMBER: 21C1101

DATE: Thursday, May 15, 2008

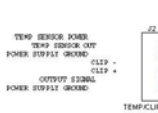
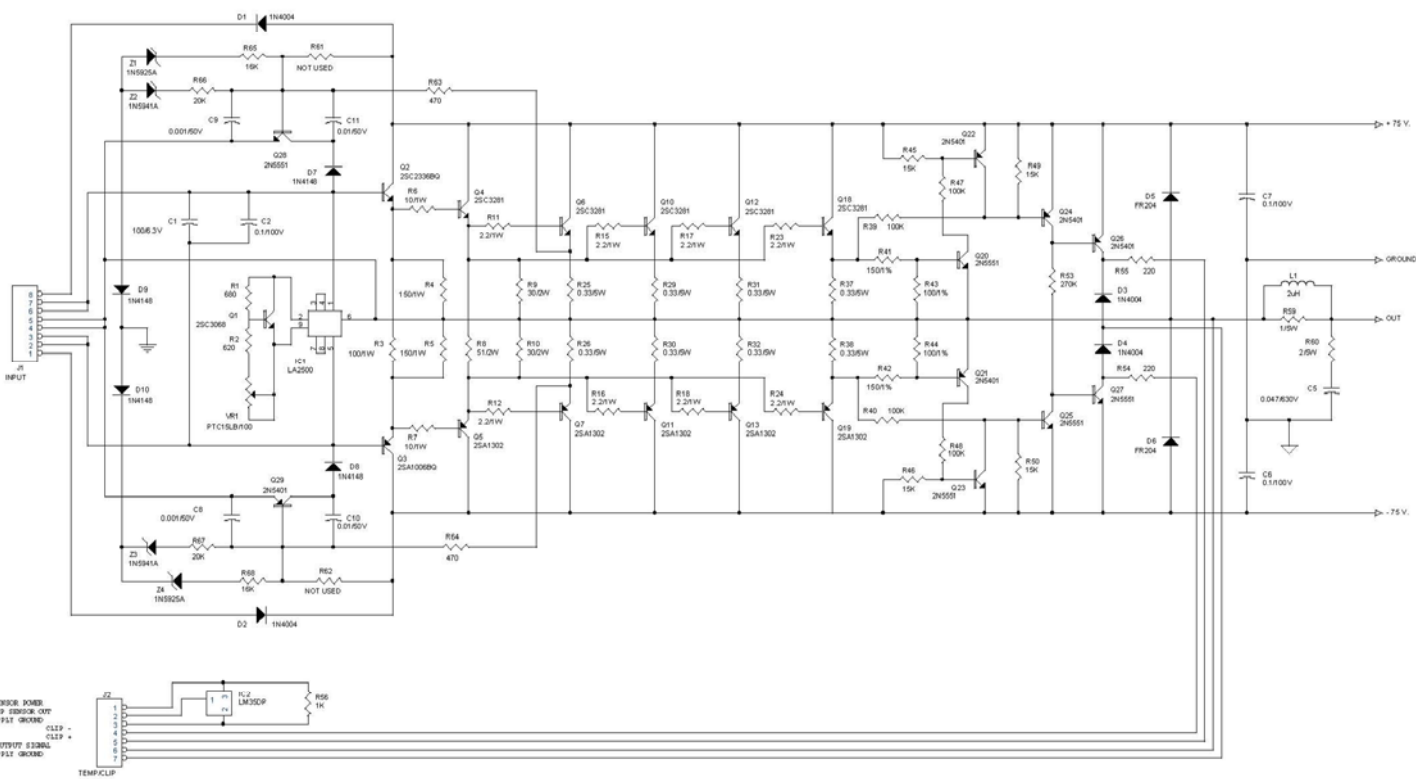


NOTE 1
 C2 - C5 ARE 7,300µF/50V OR MODEL LAP01. C6, C7 ARE NOT USED.
 C2 - C7 ARE 6,800µF/50V OR MODEL LA3201.

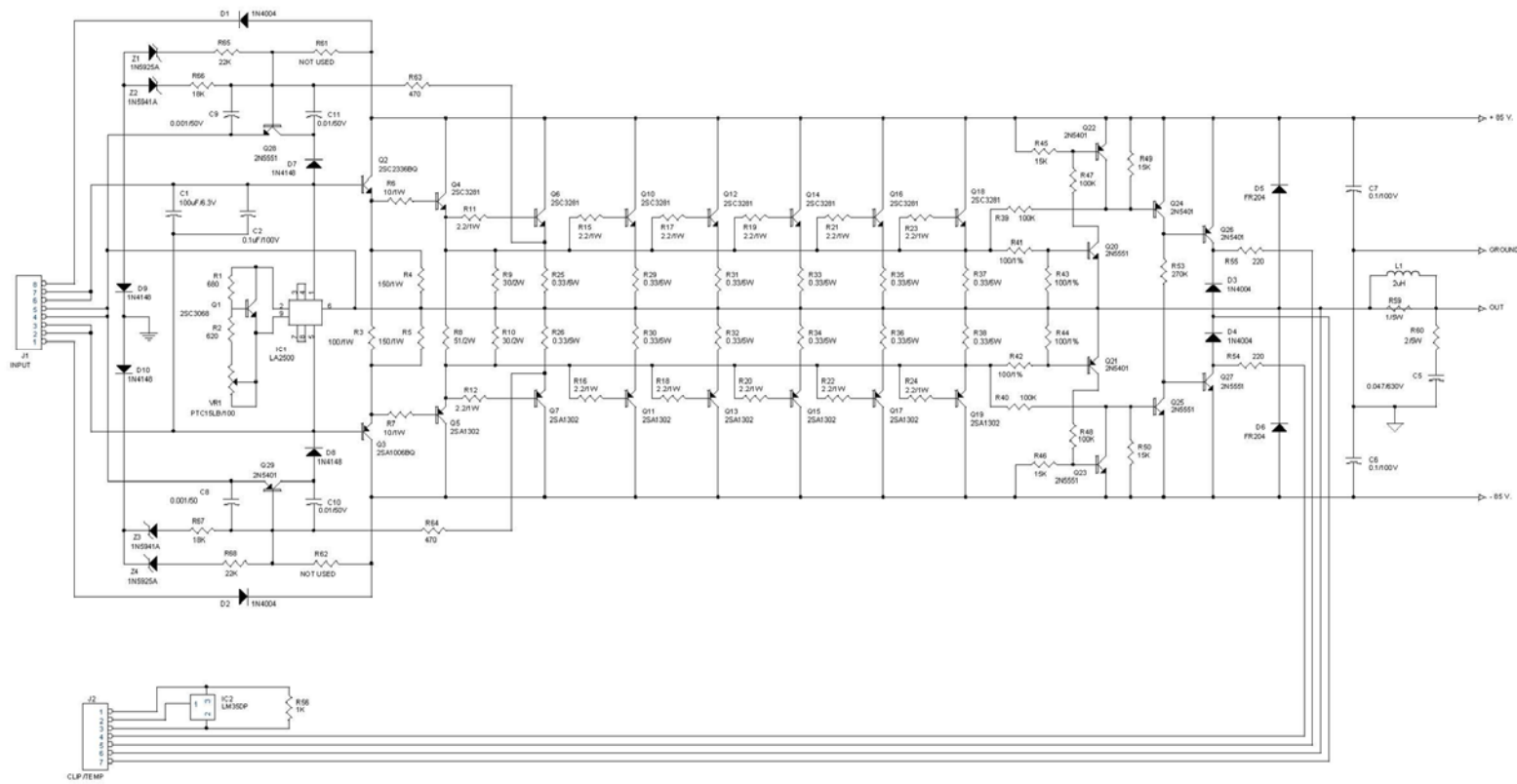
CREST ELECTRONIC
 150 Florence Ave.
 Hawthorne, NJ 07036
 TEL: 201-991-7001 FAX: 201-991-7002
 LAD997501 POWER SUPPLY/ANALOG DRIVER PCB
 SIB: _____ Rev: _____
 C: 21C1127
 Date: Tuesday, May 16, 2000 Sheet: 1 of 1



CREST AUDIO INC.		
150 Florence Ave. Hawthorne, NJ 07506		
Title LA601 OUTPUT STAGE		
Size B	Document Number 21B1157	Rev 01
Date: Thursday, May 18, 2000	Sheet 1	of 1



CREST AUDIO INC.
 150 Florence Ave.
 Hawthorne, NJ 07036
 TEL: 201-991-1111 FAX: 201-991-1112
 WWW: www.crestaudio.com
 LAMP OUTPUT STAGE
 S/N: _____
 C: _____
 Date: Tuesday, May 16, 2000 Sheet 1 of 1



CREST AUDIO INC.
 150 Florence Ave.
 Hawthorne, NJ 07338
 Tel: LA1201
 S&M Document Number
 C 21C1158 Rev 1
 Date: Thursday, May 15, 2008 Sheet 1 of 1



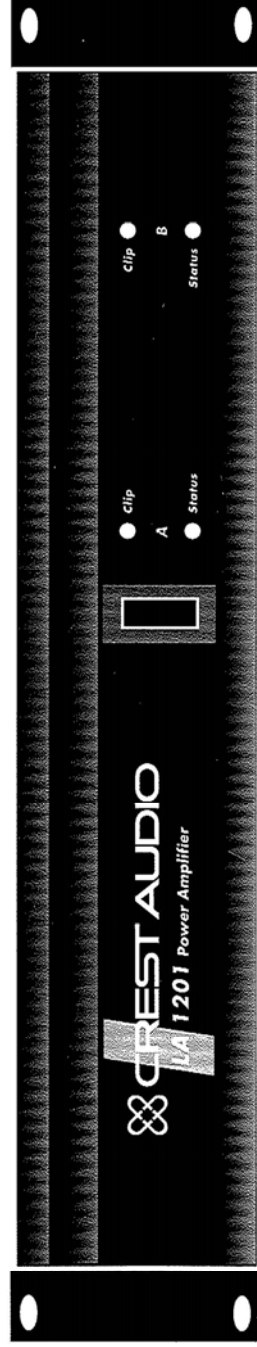
LA Series Power Amplifiers

The Crest LA Series are high quality, cost effective amplifiers

designed primarily for use in retail applications and other installations. LA Series amplifiers employ many of the features used in Crest's Professional Series amplifiers, and offer sonic performance and reliability previously unavailable in this price range.

Crest's LA Series uses the same high-grade components as the Professional Series. The LA Series is the cost-effective answer for applications that require the audio quality and reliability of our FA Series, but can do without some of their physical features. LA amplifiers are identical in power circuit design to the FA Series and feature an attractive front panel design with LED's showing signal presence, clip, and protection. Rear panel features include 1/4" balanced input connectors and gain controls.

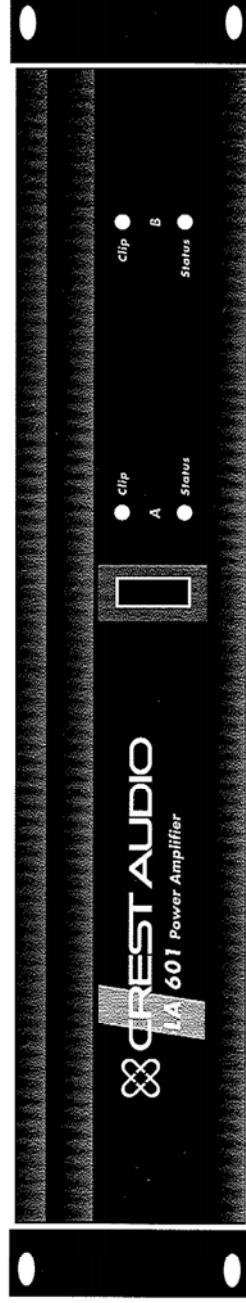
POWER SPECIFICATIONS	FTC' 20 Hz - 20kHz <0.1% THD	EIA at 1kHz <0.05% THD
LA601		
8 ohms stereo	120 watts	150 watts
4 ohms stereo	225	275
8 ohms bridged	400	550
LA901		
8 ohms stereo	225 watts	280 watts
4 ohms stereo	300	350
8 ohms bridged	600	750
LA1201		
8 ohms stereo	280 watts	300 watts
4 ohms stereo	450	475
8 ohms bridged	960	1000



LA Series

Power Amplifiers

LA601 • LA901 • LA1201



GENERAL SPECIFICATIONS	LA601	LA901	LA1201
Max RMS Voltage Swing	40V, per ch.	49V, per ch.	59V, per ch.
Max Peak Voltage Swing	59V, per ch.	69V, per ch.	83V, per ch.
Frequency Response	20 Hz - 20 kHz; +0, -5dB at 200W	20 Hz - 20 kHz; +0, -5dB at 300W	20 Hz - 20 kHz; +0, -5dB at 450W
THD	<0.025% @ 200W into 4 ohms, 1kHz	<0.025% @ 300W into 4 ohms, 1kHz	<0.025% @ 450W into 4 ohms, 1kHz
SMPTe IMD	<0.015% @ 150W into 8 ohms (60 Hz and 7 kHz)	<0.015% @ 225W into 8 ohms (60 Hz and 7 kHz)	<0.015% @ 280W into 8 ohms (60 Hz and 7 kHz)
Slew Rate	>14V / μ s, input filter bypassed	>14V / μ s, input filter bypassed	>35V / μ s, input filter bypassed
Damping Factor	250 : 1, 1 kHz @ 8 ohms	500 : 1, 1 kHz @ 8 ohms	500 : 1, 1 kHz @ 8 ohms
Input CMRR	greater than 90dB	greater than 90dB	greater than 90dB
Voltage Gain	55X standard, others available on request	55X standard, others available on request	61X standard, others available on request
Input Sensitivity	.775V (0 dBu) for full power at 8 ohms	.775V (0 dBu) for full power at 8 ohms	.775V (0 dBu) for full power at 8 ohms
Input Impedance	20k ohms, balanced	20k ohms, balanced	20k ohms, balanced
Hum and Noise	-103.7dB, "A" weighted	-103.7dB, "A" weighted	-103.7dB, "A" weighted
Connectors (per ch.)	1/4" jack (balanced), Octal send/return sockets, 5-way binding post out, terminal strip in/out		
Power Supply		1.3 kVA power transformer, 29,200 μ f filter capacitance	1.7 kVA power transformer, 40,800 μ f filter capacitance
Max Current Draw	10.0A, 120V	13.5A, 120V	17A, 120V
Cooling	AC fan	AC fan	AC fan
Controls	2 rear panel attenuators, rear panel mode switch, signal ground lift jumper		
Indicators	2 Clip LED's and 2 bi-color pilot/protection LED's		
Protection	High temperature, DC, turn-on, and short circuit protection		
Construction	Single box chassis, 14 ga. steel	Single box chassis, 14 ga. steel	Single box chassis, 14 ga. steel
Dimensions	3.5" x 19" x 11.5" (8.9cm x 48.3cm x 29.2cm)	3.5" x 19" x 14" (8.9cm x 48.3cm x 35.6cm)	3.5" x 19" x 14" (8.9cm x 48.3cm x 35.6cm)
Gross Weight	30 lbs (13.6 kg)	40 lbs (18.1 kg)	40 lbs (18.1 kg)
Net Weight	28 lbs (12.7 kg)	37.5 lbs (17 kg)	37.5 lbs (17 kg)
Warranty	2 years, parts and labor	2 years, parts and labor	2 years, parts and labor

¹Continuous sine wave bench power is limited by current rating of front panel circuit breaker.

Crest Audio reserves the right to make changes or improvements in manufacturing or design which may affect specifications.

CREST AUDIO
power is serious business.