



## Schematic set

---

### LT Series LT100, LT1500 & LT2000

1/25/01

1. Display and input connections
2. Linear power supply
3. Switching output section, p. 1
4. Switching output section, p. 2

6

5

4

3

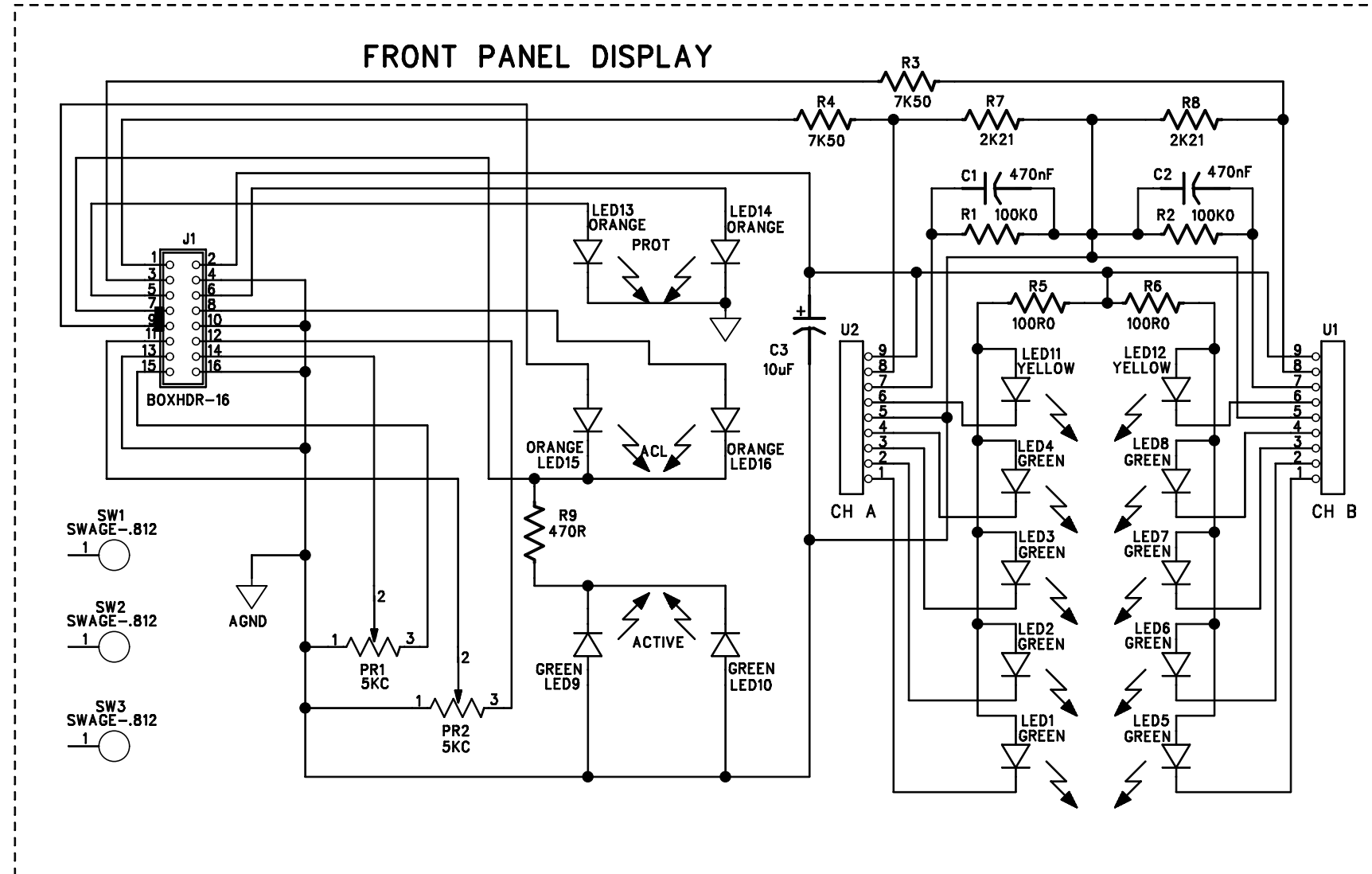
2

1

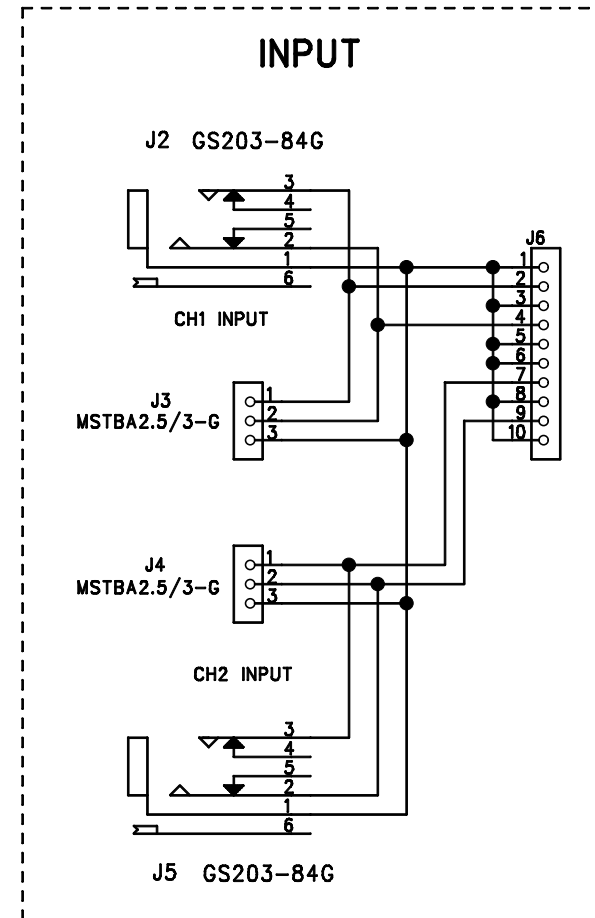
| REVISION RECORD |         |           |       |
|-----------------|---------|-----------|-------|
| LTR             | ECO NO: | APPROVED: | DATE: |
|                 |         |           |       |
|                 |         |           |       |
|                 |         |           |       |

DC01776 6-19-00 CHANGED PCB REV TO B

### FRONT PANEL DISPLAY



### INPUT



PCB1  
69000474  
26B4777-B

- |                  |                   |                   |                   |
|------------------|-------------------|-------------------|-------------------|
| LS1<br>LEDSP/.63 | LS6<br>LEDSP/.63  | LS11<br>LEDSP/.63 | LS16<br>LEDSP/.63 |
| LS2<br>LEDSP/.63 | LS7<br>LEDSP/.63  | LS12<br>LEDSP/.63 |                   |
| LS3<br>LEDSP/.63 | LS8<br>LEDSP/.63  | LS13<br>LEDSP/.63 |                   |
| LS4<br>LEDSP/.63 | LS9<br>LEDSP/.63  | LS14<br>LEDSP/.63 |                   |
| LS5<br>LEDSP/.63 | LS10<br>LEDSP/.63 | LS15<br>LEDSP/.63 |                   |
|                  |                   |                   | TH1<br>TOOLHOLE   |
|                  |                   |                   | TH2<br>TOOLHOLE   |

|  |       |                               |                  |
|--|-------|-------------------------------|------------------|
| COMPANY:                                     |       |                               |                  |
| TITLE:<br><b>LT/ST DISPLAY AND AUX INPUT</b> |       |                               |                  |
| CODE:  | SIZE: | DRAWING NO:<br><b>21B4777</b> | REV:<br><b>A</b> |
| SCALE:                                       |       | SHEET: OF                     |                  |

|                  |                   |
|------------------|-------------------|
| DRAWN:<br>BE     | DATED:<br>4/12/00 |
| CHECKED:         | DATED:            |
| QUALITY CONTROL: | DATED:            |
| RELEASED:        | DATED:            |

6

5

4

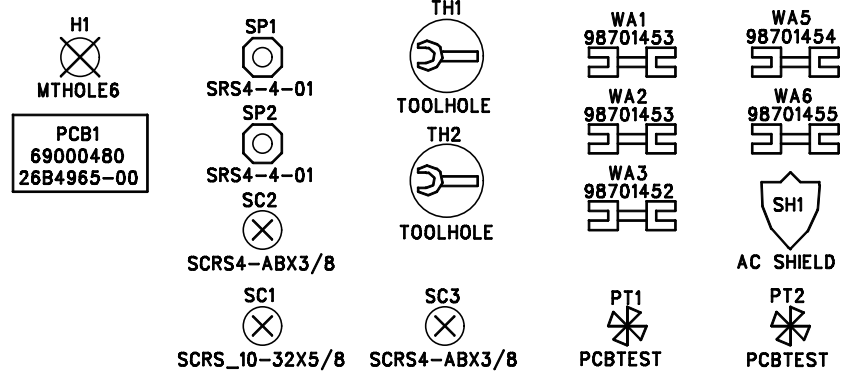
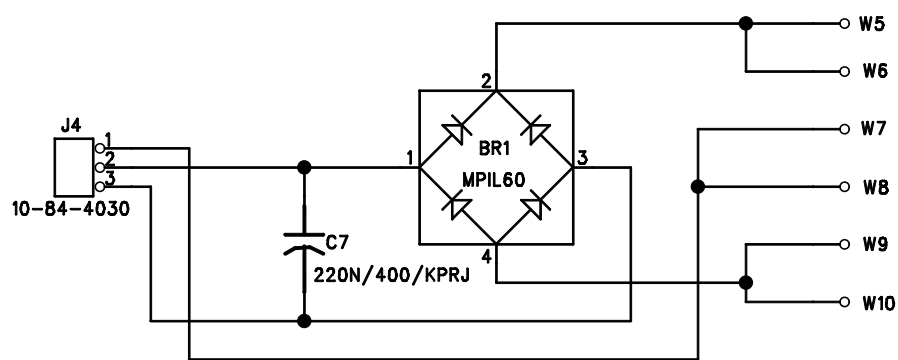
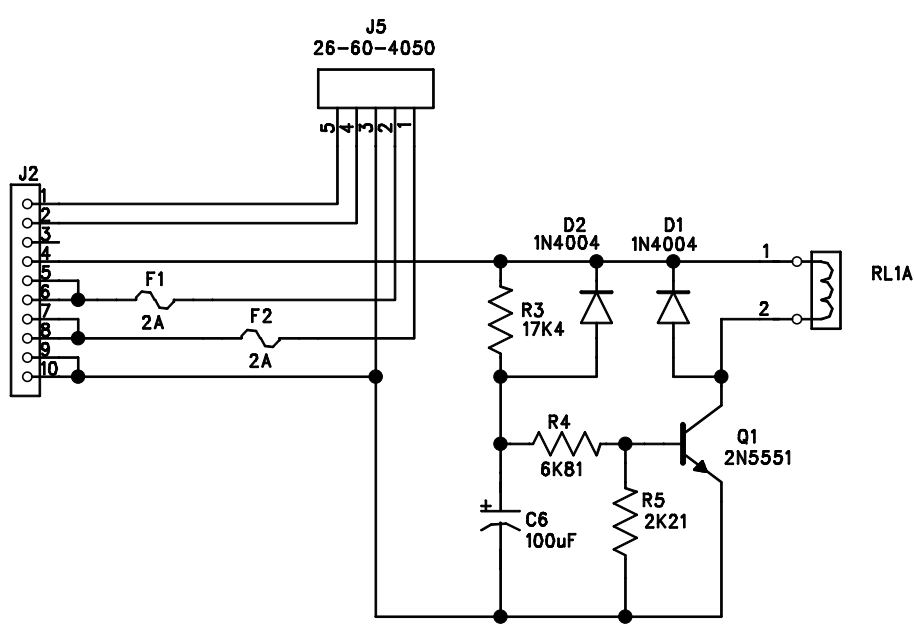
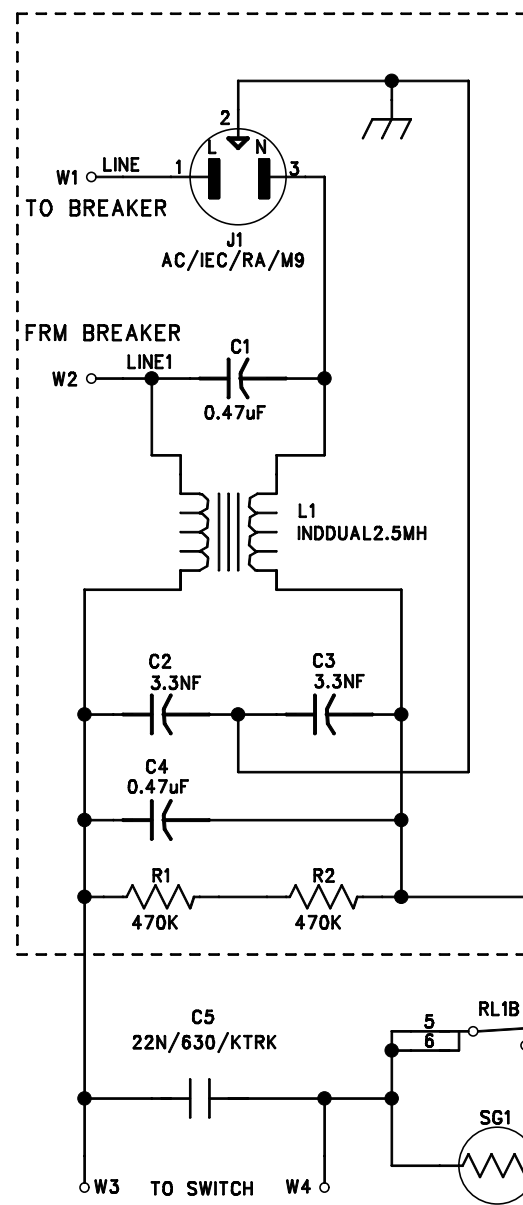
3

2

1

| REVISION RECORD |         |           |       |
|-----------------|---------|-----------|-------|
| LTR             | ECO NO: | APPROVED: | DATE: |
|                 |         |           |       |
|                 |         |           |       |
|                 |         |           |       |
|                 |         |           |       |

DC01176 PCB to Rev B Deleted R6 0 ohm resistor



This schematic was formerly 4776-01

|                               |                 |               |                     |
|-------------------------------|-----------------|---------------|---------------------|
| COMPANY: CREST AUDIO          |                 |               |                     |
| TITLE: LT LINEAR POWER SUPPLY |                 |               |                     |
| DRAWN: BE                     | DATED: 12/04/00 | CODE:         | REV: 00             |
| CHECKED:                      | DATED:          | SIZE:         | DRAWING NO: 21B4965 |
| QUALITY CONTROL:              | DATED:          | SHEET: 1 OF 1 |                     |
| RELEASED:                     | DATED:          | SCALE:        |                     |

D

C

B

A

D

C

B

A

6

5

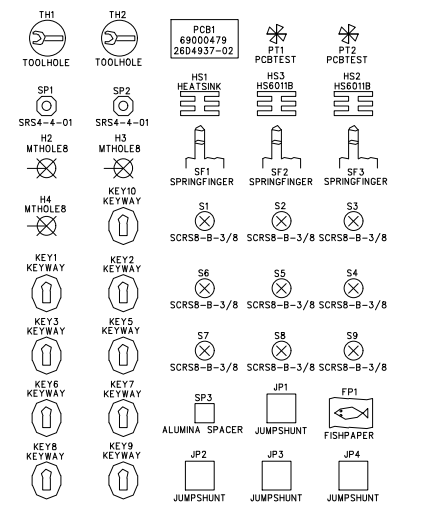
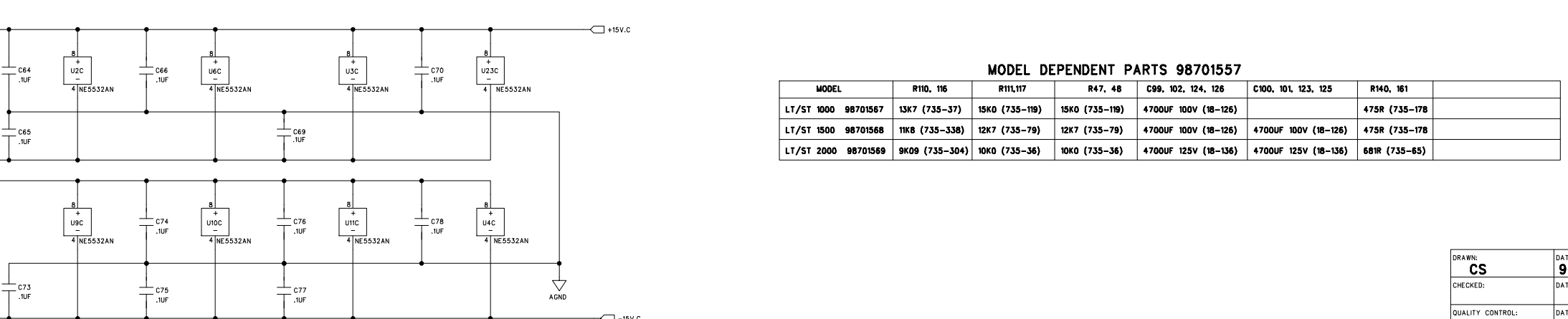
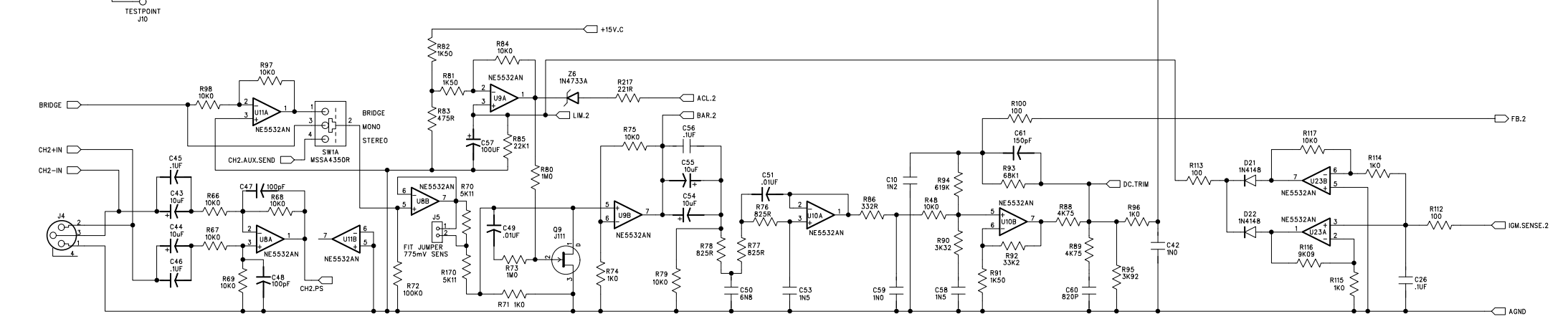
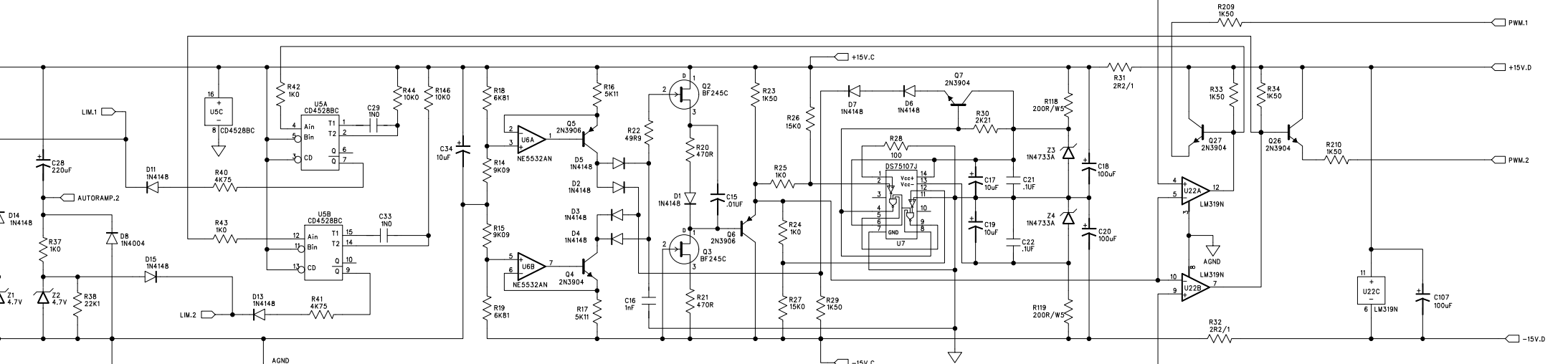
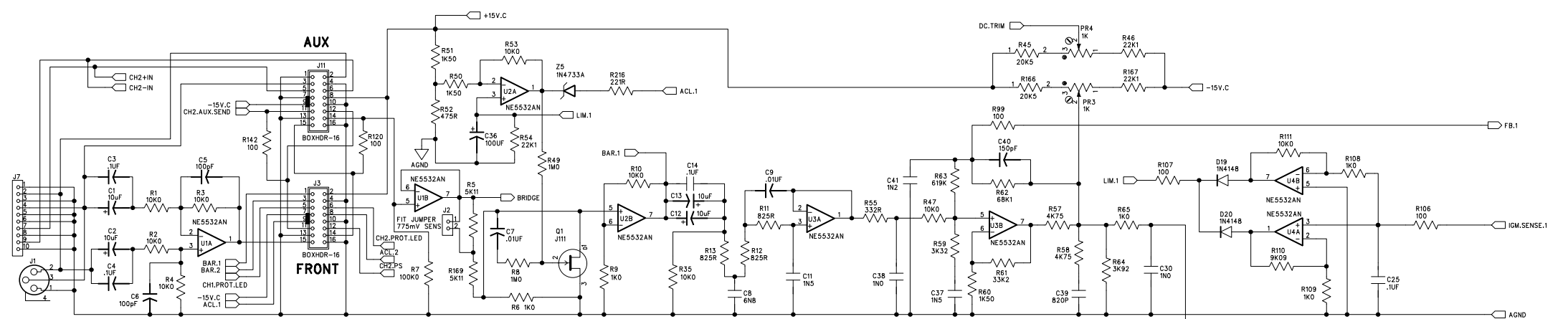
4

3

2

1

| REVISION RECORD |         |           |       |
|-----------------|---------|-----------|-------|
| LTR             | ECO NO: | APPROVED: | DATE: |
|                 |         |           |       |
|                 |         |           |       |
|                 |         |           |       |



MODEL DEPENDENT PARTS 98701557

| MODEL               | R110, 116      | R111, 117      | R47, 48        | C89, 102, 124, 126   | C100, 101, 123, 125  | R140, 161      |
|---------------------|----------------|----------------|----------------|----------------------|----------------------|----------------|
| LT/ST 1000 98701567 | 13K7 (735-37)  | 15K0 (735-119) | 15K0 (735-119) | 4700UF 100V (18-126) |                      | 475R (735-178) |
| LT/ST 1500 98701568 | 11K8 (735-338) | 12K7 (735-79)  | 12K7 (735-79)  | 4700UF 100V (18-126) | 4700UF 100V (18-126) | 475R (735-178) |
| LT/ST 2000 98701569 | 9K09 (735-304) | 10K0 (735-36)  | 10K0 (735-36)  | 4700UF 125V (18-136) | 4700UF 125V (18-136) | 681R (735-65)  |

**CRESTAUDIO**

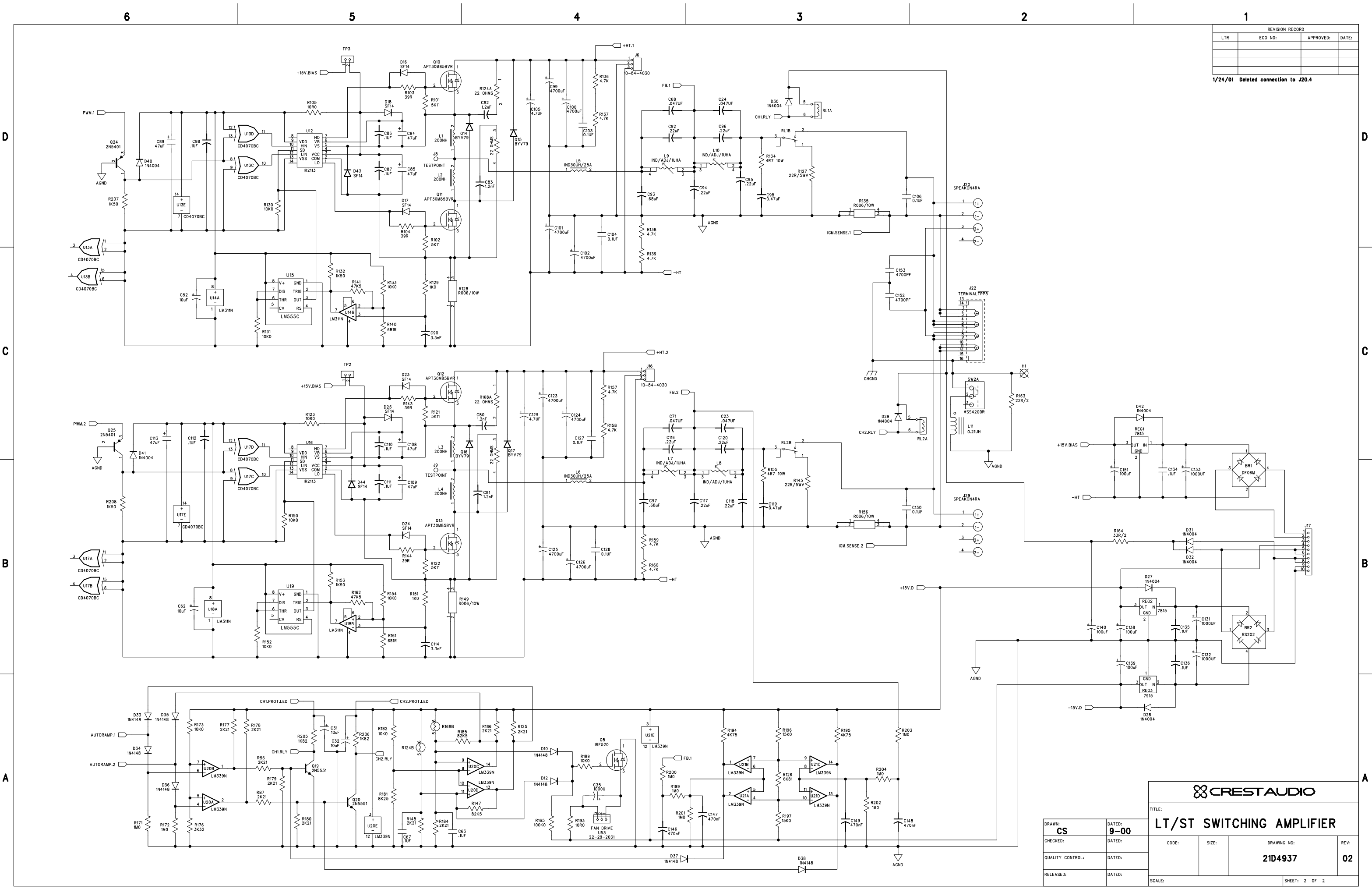
TITLE: **LT/ST SWITCHING AMPLIFIER**

CODE:      SIZE:      DRAWING NO: **21D4937**      REV: **02**

SCALE:      SHEET: 1 OF 2

|                  |                    |
|------------------|--------------------|
| DRAWN: <b>CS</b> | DATED: <b>9-00</b> |
| CHECKED:         | DATED:             |
| QUALITY CONTROL: | DATED:             |
| RELEASED:        | DATED:             |

| REVISION RECORD                     |         |           |       |
|-------------------------------------|---------|-----------|-------|
| LTR                                 | ECO NO: | APPROVED: | DATE: |
|                                     |         |           |       |
| 1/24/01 Deleted connection to J20.4 |         |           |       |



**CRESTAUDIO**

TITLE: **LT/ST SWITCHING AMPLIFIER**

|                  |                    |       |       |                            |                |
|------------------|--------------------|-------|-------|----------------------------|----------------|
| DRAWN: <b>CS</b> | DATED: <b>9-00</b> | CODE: | SIZE: | DRAWING NO: <b>21D4937</b> | REV: <b>02</b> |
| CHECKED:         | DATED:             |       |       |                            |                |
| QUALITY CONTROL: | DATED:             |       |       |                            |                |
| RELEASED:        | DATED:             |       |       |                            |                |

SCALE: SHEET: 2 OF 2