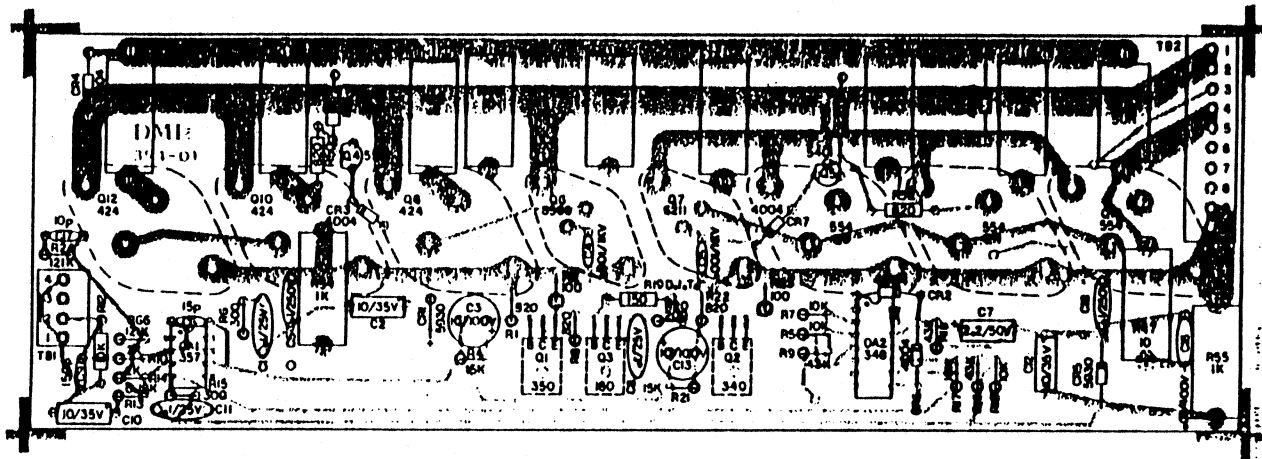
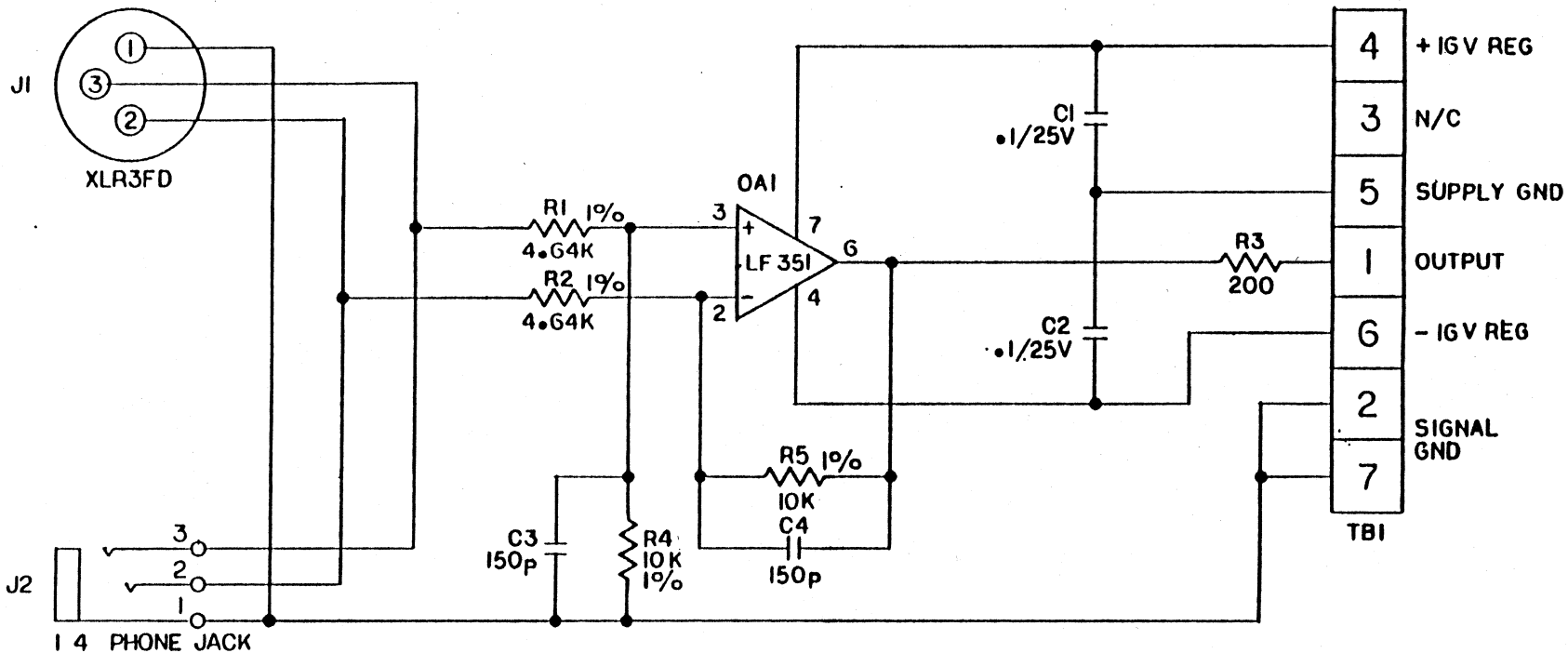


NOTES	LAST USED	REF USED	DES USED	REV	ECO	DESCRIPTION	DATE	BALLBO MUSIC INSTRUMENTS	
1) R19, D.J.T., DETERMINE IN TEST. IS BIAS RESISTOR. VOLTAGE ACROSS R15 & R16 IS BETWEEN 475-V MIN. & 510-V MAX. AS DETERMINED BY R19.	R06	027-42	1156-65					REV	DATE
2) PHS 5.6.7 ON OA2D NOT USED.	C10		C14					REV	DATE
	C18							REV	DATE
	L1							REV	DATE
	OA2							REV	DATE
	Q12							REV	DATE



NOTES:		REV	ECO	DESCRIPTION	DATE
1) COMPONENT SIDE UP					
2) MOUNT TO HEATSINK & SOLDER SIDE OF P.C.B.'S Q1-3 & 6-13					
3) R10.D.I.T., DETERMINE IN TEST					
DALLAS MUSIC INDUSTRIES DALLAS, TEXAS 75243					
DOW AM 1-21-84 DATE: 1-21-84 10:00 AM 10:00 AM 10:00 AM		CURRY: MODEL 25000 & 25010 BRIDGE POWER AMPLIFIER		BERNARD P.E.E. ASSEMBLY DIV. 2504394 SCALE 2:1 DO NOT SCALE DRAWING	

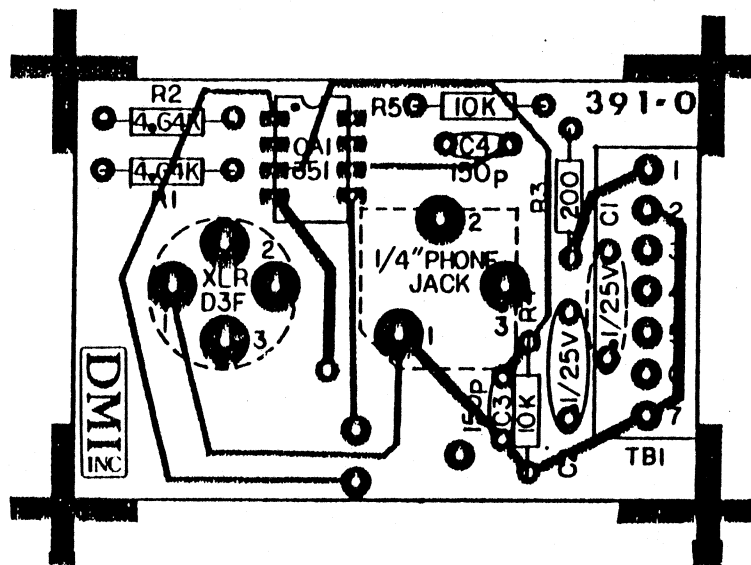


NOTES:

- 1) PINS 2 & 3 ARE BALANCED,
PINS 1 & 3 ARE UNBALANCED
ON BOTH 3-PIN CONNECTORS

LAST REF DES		REV	ECO	DESCRIPTION	DATE
USED	NOT USED				
C4					
R5					
OA1					
TBI					

DALLAS MUSIC INDUSTRIES HAWTHORNE, N.J. 07506			
DWN.: JJD	DATE: 1/18/82	CREST:	
APP: <i>[Signature]</i>	DATE: 1-20-82	MODEL "8" SERIES POWER AMPLIFIERS	
TOL: 1.02	± 1°	INPUT P.C.B.	
RES: ±.01	FRACT: 1/64	SCHEMATIC	
MATL:			
FINISH:		DWG. No.: 2102391	REV: 00
SCALE: --		DO NOT SCALE DRAWING	

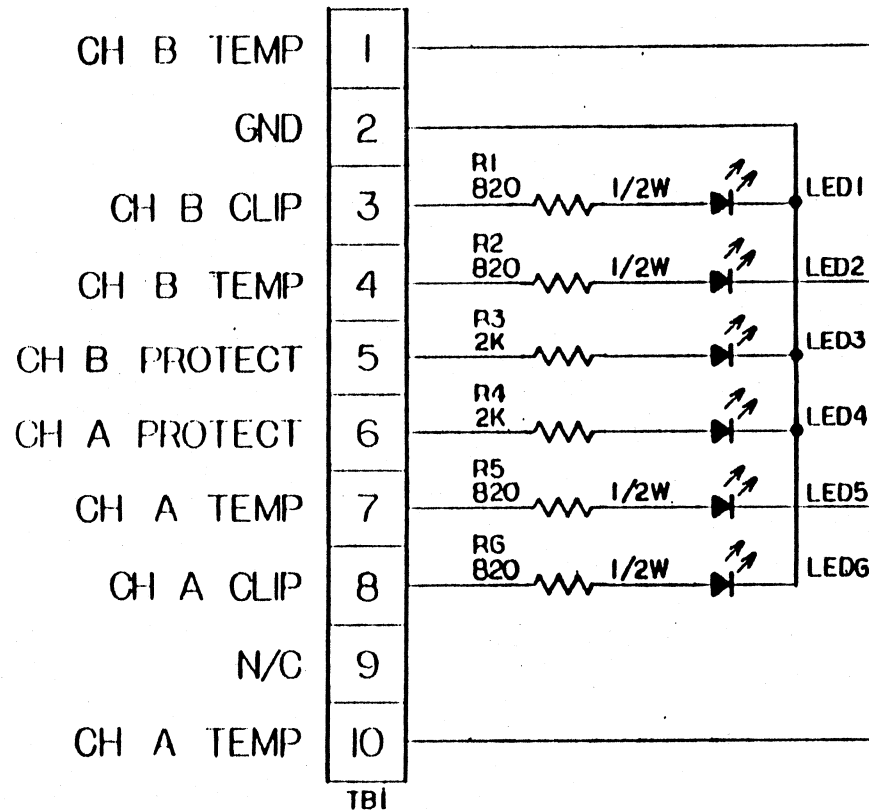


NOTES:

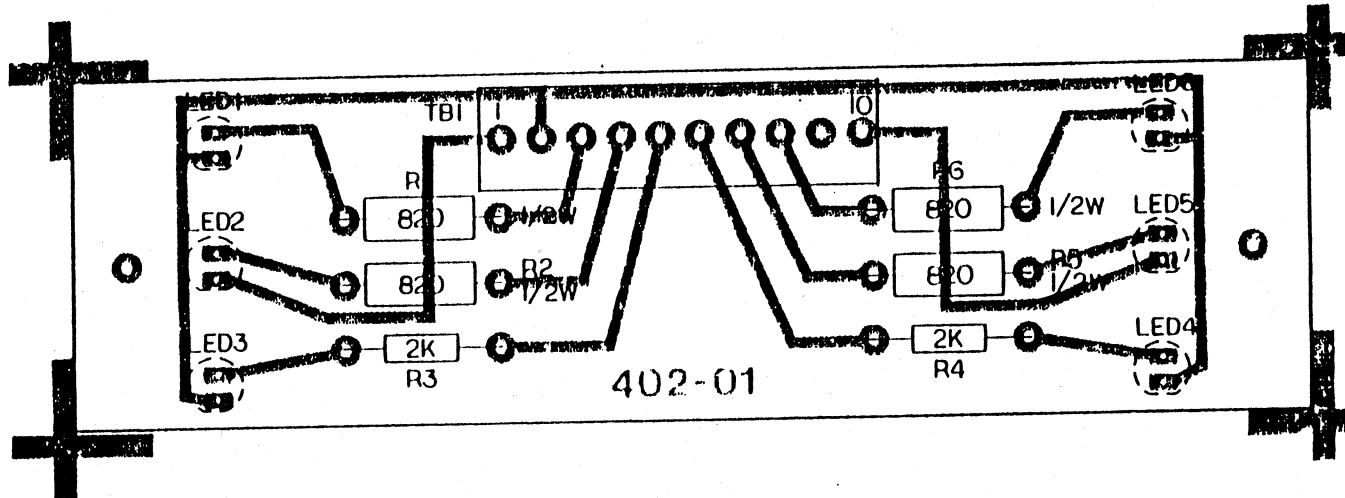
- 1) COMPONENT SIDE UP
- 2) XLR & PHONE CONNECTORS MOUNT TO CHASSIS & SOLDER SIDE OF P.C.B.
- 3) MOUNT CI ON SOLDER SIDE

REV	ECO	DESCRIPTION	DATE

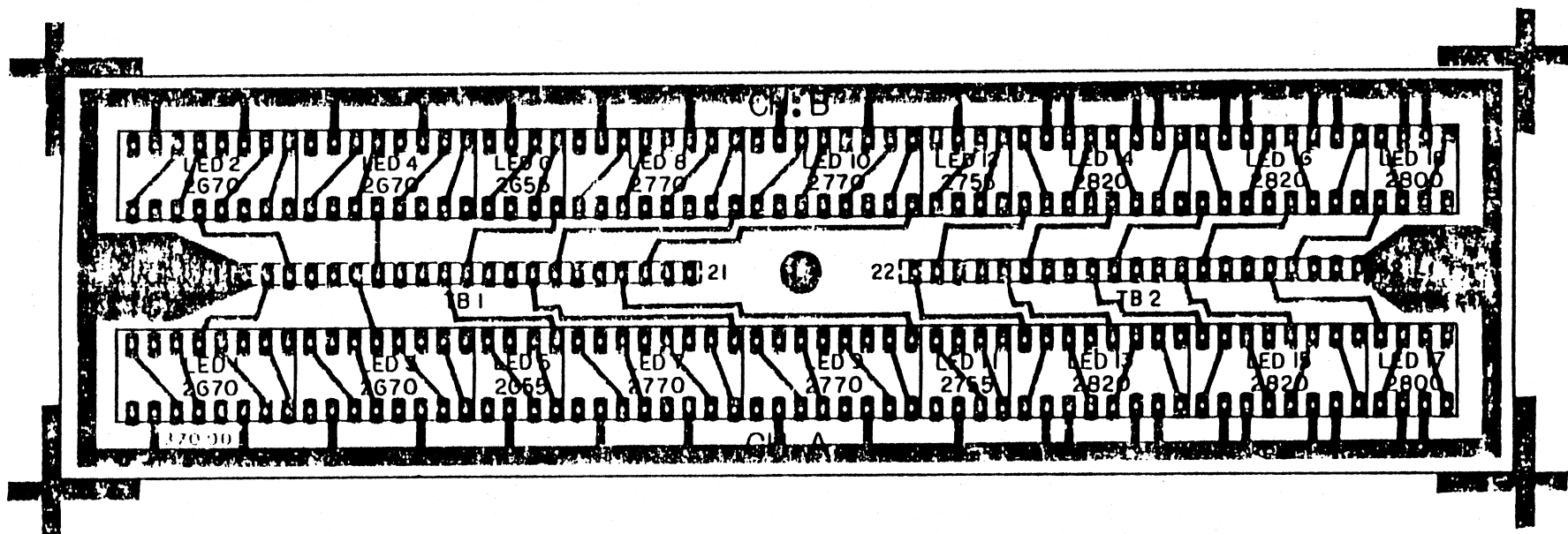
DALLAS MUSIC INDUSTRIES HAWTHORNE, N.J. 07508			
DWN.: JJD	DATE: 1/15/82	CRST:	
APP: <i>[Signature]</i>	DATE: 1-20-82	MODEL "S" SERIES POWER AMPLIFIERS	
TOL: RS: ±.02 L: ±1° RHS: ±.01 FRACT: 1/64		INPUT P.C.B.	
MATL:		ASSEMBLY DWG.	
FINISH:		DWG. No.: 2202391	REV.: 00
		SCALE: 2:1	DO NOT SCALE DRAWING



USED	NOT USED	NOTES:	REV	ECO	DESCRIPTION	DATE	DALLAS MUSIC INDUSTRIES HAWTHORNE, N.J. 07506	
		1) LEDs ARE RED 2) UNSPECIFIED RESISTORS-1/4W					DWN.: JJD	DATE: 8/11/82
							APP: [Signature]	DATE: 8/11/82
							TOL: R: ±.02 Z: ±1° RES: ±.01 FRAC: ±1/64	CREST: MODEL "S" SERIES POWER AMPLIFIERS LIGHT PROTECT P.C.B.
							MATL.:	SCHMATIC
							FINISH:	DWG. Nr.: 2102402
							SCALE: --	DO NOT SCALE DRAWING



LAST REF DES		NOTES: 1) LEDS MOUNT ON SOLDER SIDE 2) LEDS ARE RED 3) RESISTORS-1/4W	REV	ECO	DESCRIPTION	DATE	DALLAS MUSIC INDUSTRIES HAWTHORNE, N.J. 07508		
USED	NOT USED						DWN.: JJD	DATE: 8/11/82	CREST: MODEL "S" SERIES POWER AMPLIFIERS LIGHT PROTECT P.C.B. ASSEMBLY DWG. DWG. Nr.: 2202402 REV 100
RG							APP: [Signature]	DATE: 3/11/82	
LEDG							TOL: XX: ±.02 <: ±1° XXX: ±.01 FRACT: ±1/64		
TBI							MATL.:		
						FINISH:			
							SCALE: 2:1	DO NOT SCALE DRAWING	



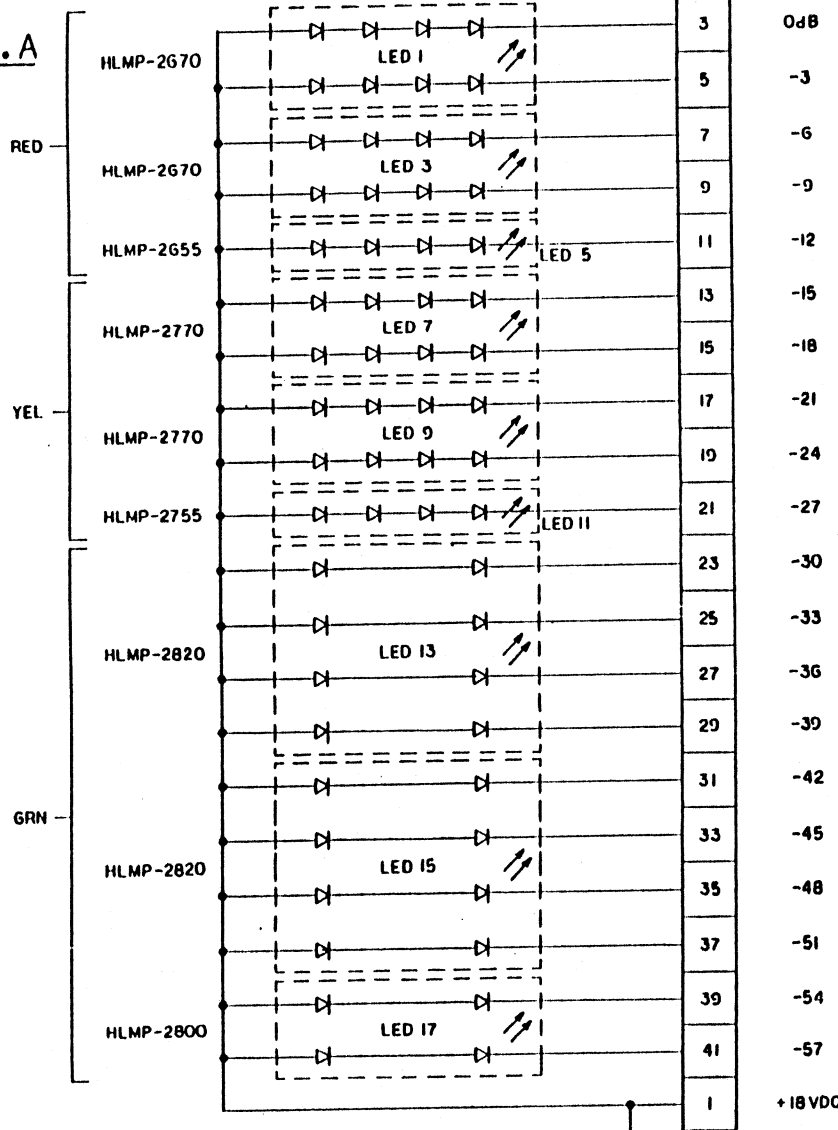
NOTES:

- 1) COMPONENT SIDE UP
- 2) RED- LED 1-6
YEL- LED 7-12
GRN- LED 13-18
- 3) TB1 & 2 MOUNT ON SOLDER SIDE

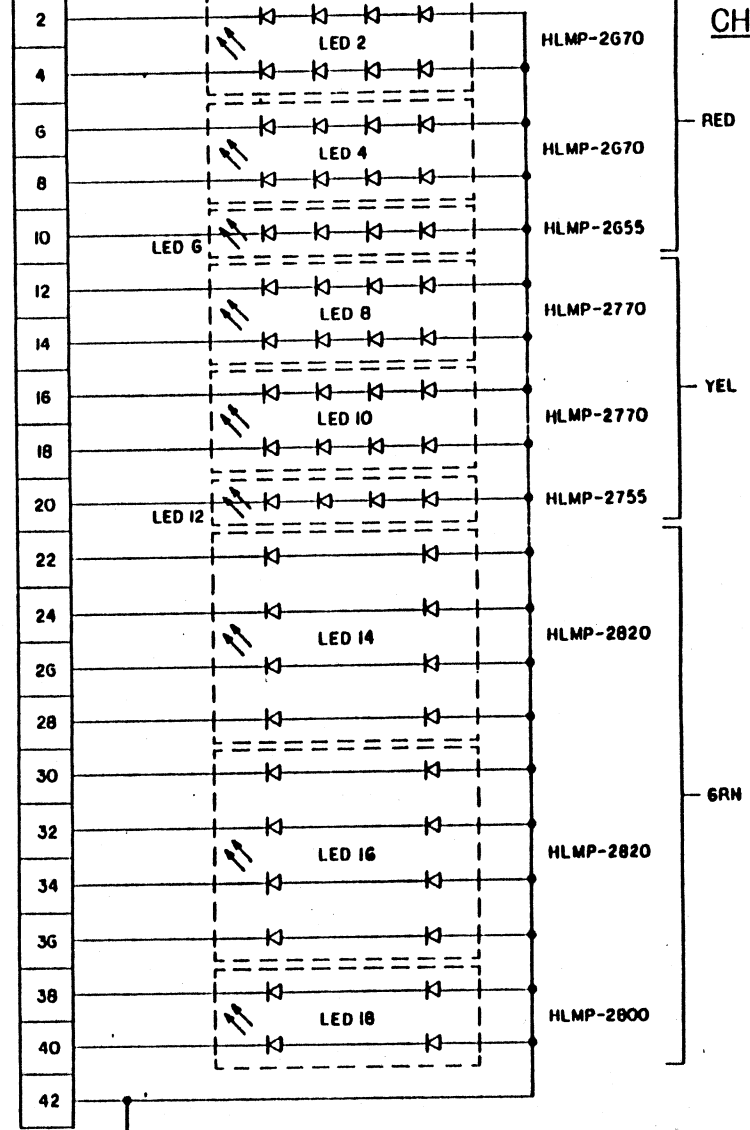
REV	ECO	DESCRIPTION	DATE

DALLAS MUSIC INDUSTRIES HAWTHORNE, N.J. 07508			
DWN.: JJD	DATE: 2/8/82	CREST:	
APP: <i>[Signature]</i>	DATE: 6-12-82	POWER AMPLIFIERS w/ METERS	
TOL: DR: 1.02	FR: 1.1°	METER ARRAY P.C.B.	
FR: 2.01	FRAC: 1/16	ASSEMBLY DWG,	
MATL.:	FINISH:	DWG. Nr.: 2202370	REV: 00
		SCALE: 2:1 DO NOT SCALE DRAWING	

CH. A



CH. B

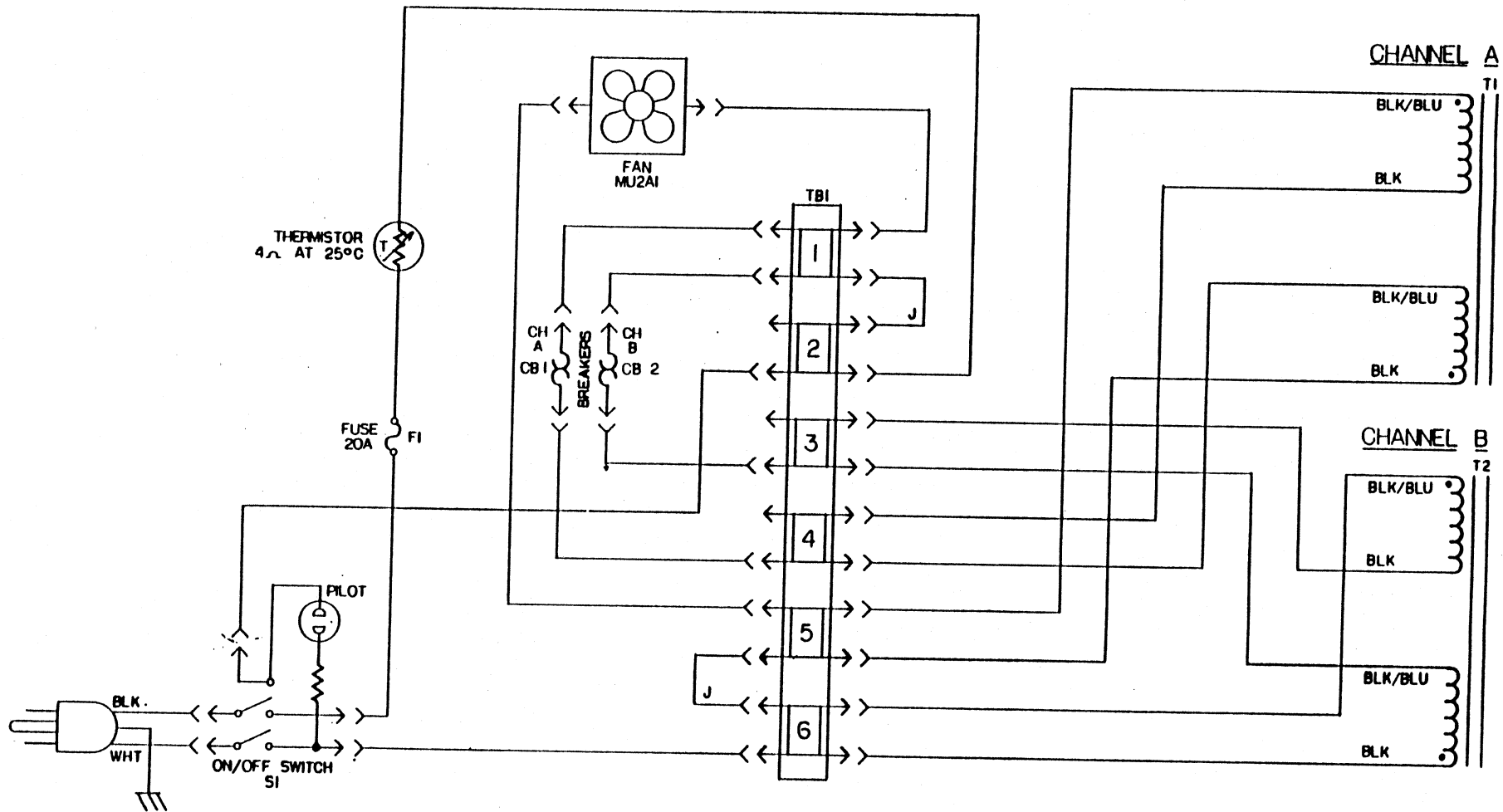


NOTES:
1) TB1 TERMINALS 1-21 & TB2 TERMINALS 22-42.

REV	ECO	DESCRIPTION	DATE

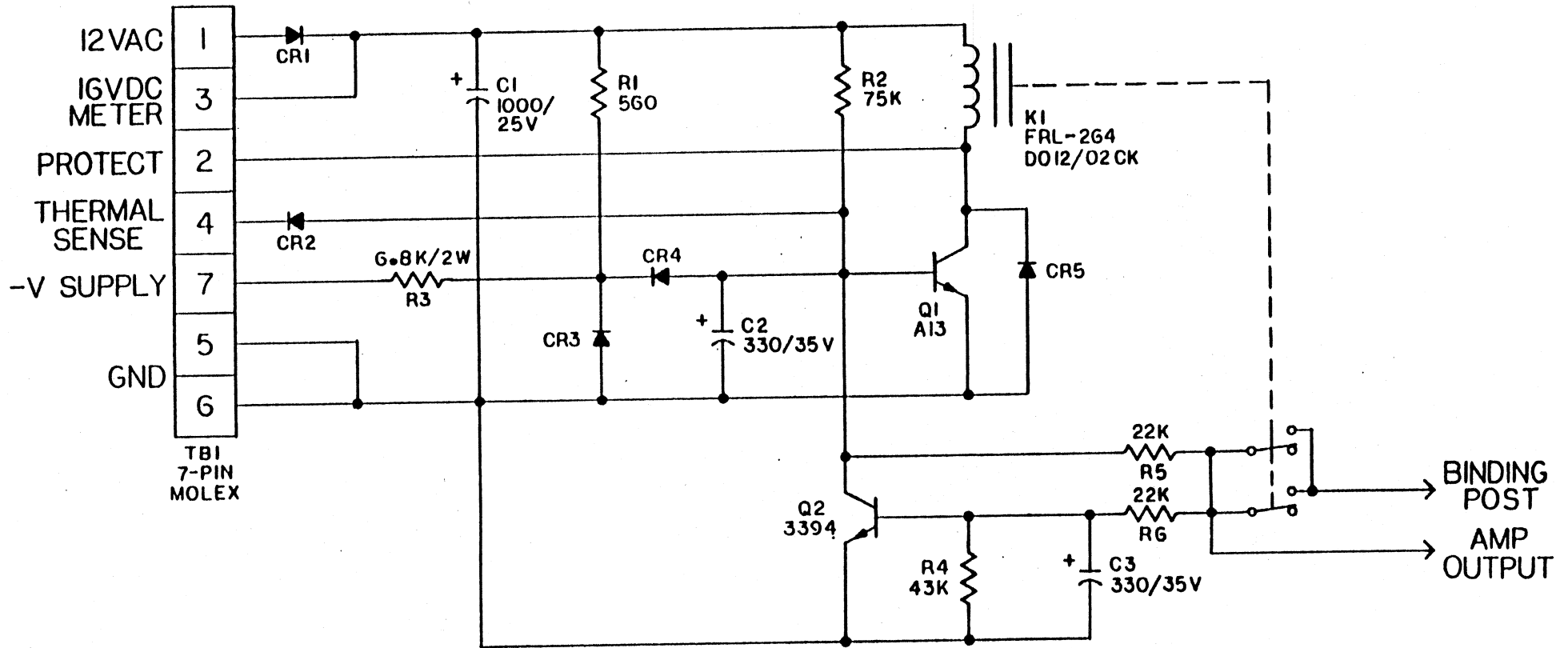
DALLAS MUSIC INDUSTRIES HAWTHORNE, N.J. 07508			
OWN: JJD	DATE: 8/8/82	CREST:	
APP: [Signature]	DATE: 8-2-82	MODELS 2500B, 3500B, 4000, 5000 POWER AMPLIFIER	
TOL: 1.00	FRAC: 1/16"	METER ARRAY P.C.B.	
FINISH:	SCALE: --	DO NOT SCALE DRAWING	
MATERIAL:		SCHEMATIC	
OWN No: 2103370		REV: 00	

S-Series



100V TRANSFORMER WIRING

BREAKERS			NOTES:	REV	ECO	DESCRIPTION	DATE	DALLAS MUSIC INDUSTRIES HAWTHORNE, N.J. 07000			
MODEL	CB 1	CB 2						DWR: JJD	DATE: 8/16/82	CREST:	
2500S	5A	5A	1) J- JUMPER 2) THERMISTOR LOCATED ON CHASSIS 3) FAN LOCATED ON HEATSINK					APP: [Signature]	DATE: 8/21/82	MODEL "S" SERIES POWER AMPLIFIERS	
3500S	8A	8A						VOL: 2.00	DATE: 8/21/82	TRANSFORMER WIRING DIAGRAM (100V)	
3501S								REV: 2.01	FRAC: 2/100		SCHMATIC
								MATL:			
								FINISH:			



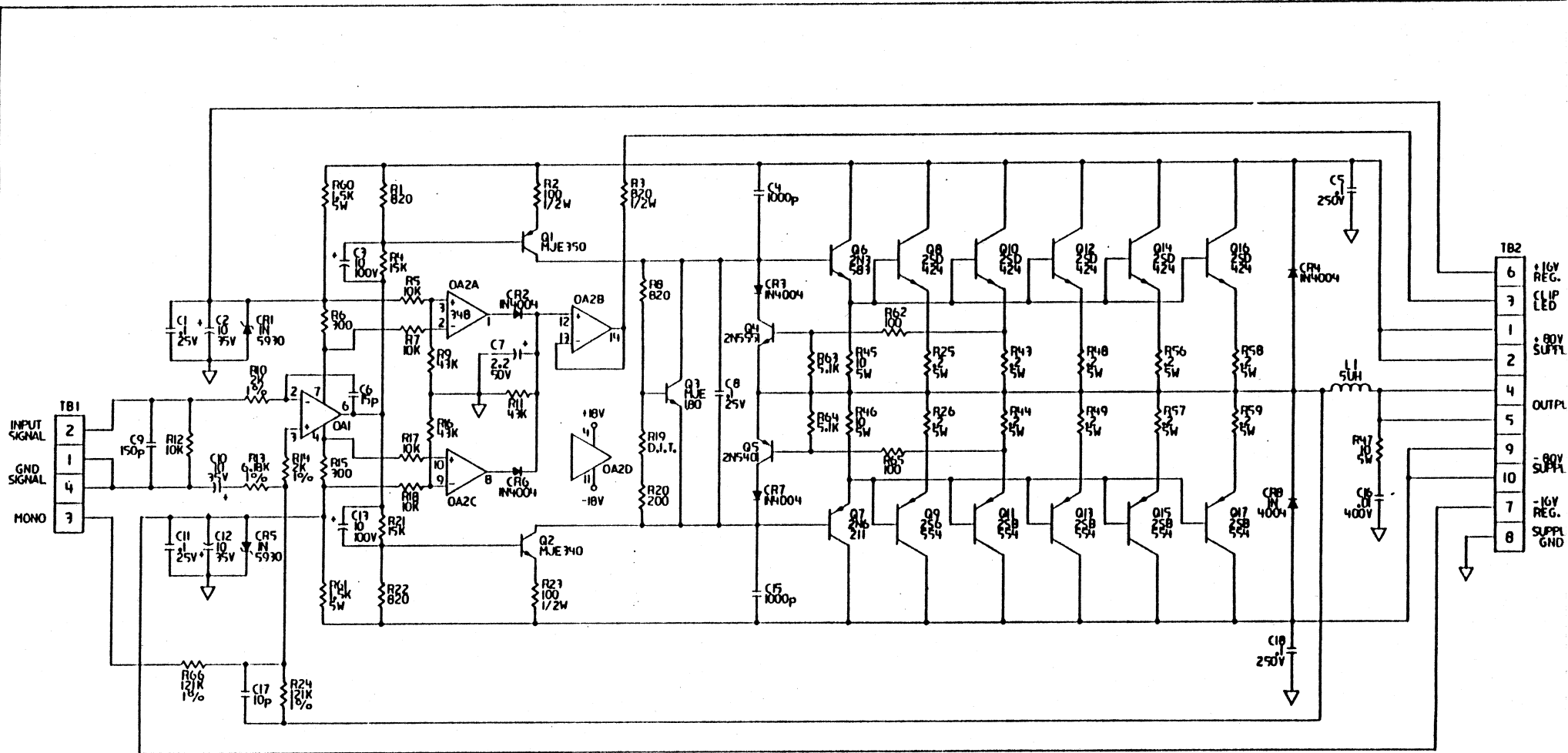
NOTES:

1) ALL DIODES: IN4004

LAST REF	DES	REV	ECO	DESCRIPTION	DATE
	C3				
	R6				
	K1				
	Q2				
	CR5				
	TBI				

DALLAS MUSIC INDUSTRIES
HAWTHORNE, N.J. 07508

DWN: JJD	DATE: 2-2-82	CREST:
APP: <i>[Signature]</i>	DATE: <i>[Signature]</i>	MODEL "S" SERIES POWER AMPLIFIERS
TOL: ±.02	±.1°	RELAY P.C.B.
FIN: ±.01	FRAC: 1/64	SCHMATIC
MATL:		
FINISH:		
DWG. No.: 2102400	REV: 00	
SCALE: --	DO NOT SCALE DRAWING	



NOTES:		LAST USED	REF DES	REV	ECO	DESCRIPTION	DATE
1) R19, D.J.T., DETERMINE IN TEST. IS BIAS RESISTOR. VOLTAGE ACROSS R45 & R46 IS BETWEEN 475mV MIN. & 510mV MAX. AS DETERMINED BY R19.							
2) PINS 5,6,7 ON OA2D NOT USED.							
USED	NOT USED						
R66	R27-42						
	R50-55						
C18	C14						
CR8							
L1							
OA2							
Q17							

DALLAS MUSIC INDUSTRIES			
MUSICOPIANO, U.S. 8700			
DESIGN	REV	DATE	COMP.
228	11-1-81		BRUNNEN 33000 & 31010
DESIGN	REV	DATE	POWER AMPLIFIER
101	11-1-81		BRUNNEN 33000 & 31010
DESIGN	REV	DATE	BRUNNEN 33000 & 31010
101	11-1-81		BRUNNEN 33000 & 31010
DESIGN	REV	DATE	BRUNNEN 33000 & 31010
101	11-1-81		BRUNNEN 33000 & 31010