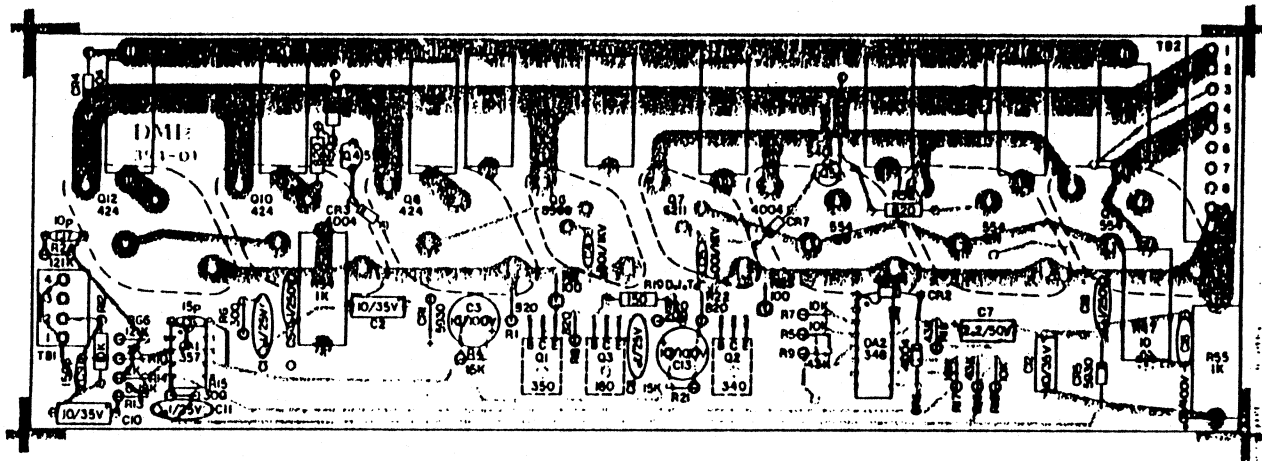
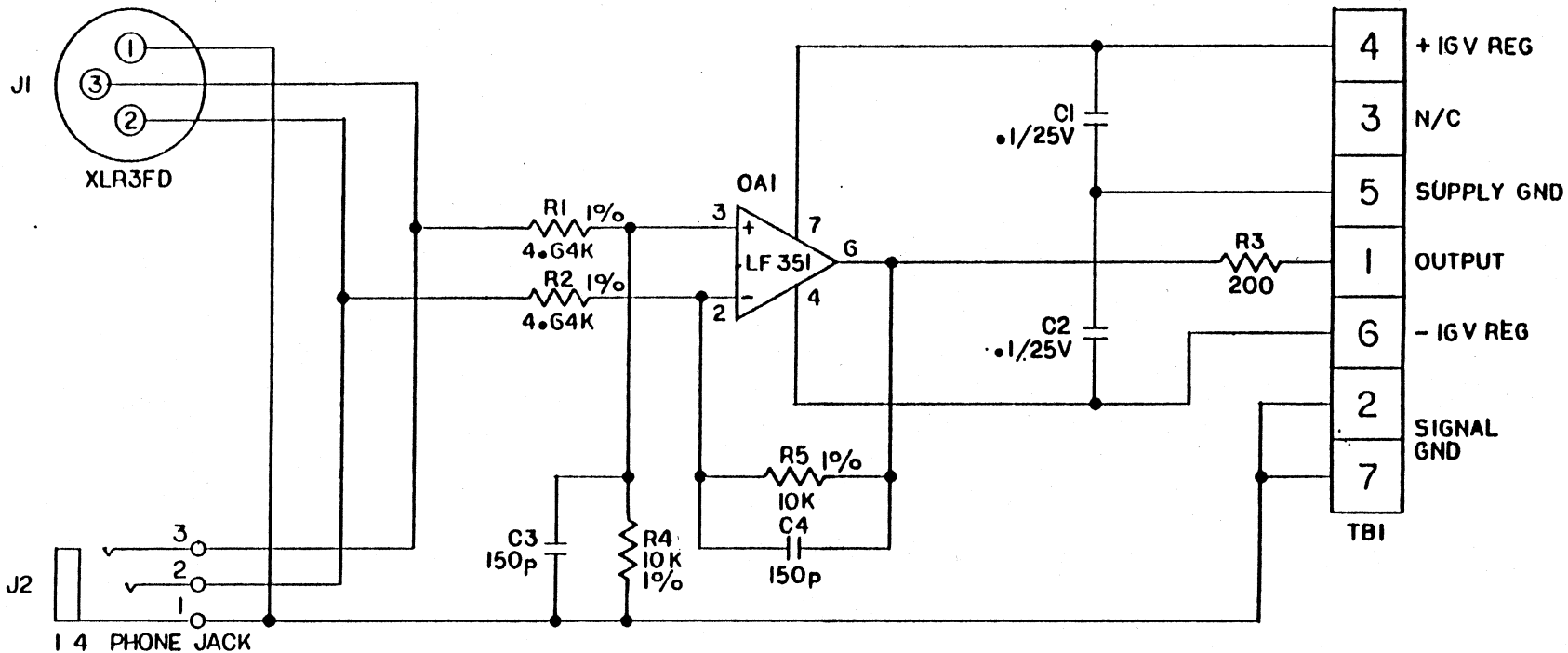


NOTES	LAST USED	REF USED	DES USED	REV	ECO	DESCRIPTION	DATE	BALLBO MUSIC INSTRUMENTS DEPARTMENT OF BOM	
1) R19, D.J.T., DETERMINE IN TEST. IS BIAS RESISTOR. VOLTAGE ACROSS R15 & R16 IS BETWEEN 475-V MIN. & 510-V MAX. AS DETERMINED BY R19.	R66	027-42	1156-65					REV	DATE
2) PHS 5.6.7 ON OA20 NOT USED.	C18		C14					REV	DATE
	C19							REV	DATE
	L1							REV	DATE
	OA2							REV	DATE
	Q12							REV	DATE



NOTES:		REV	ECO	DESCRIPTION	DATE
1	COMPONENT SIDE UP				
2	MOUNT TO HEATSINK & SOLDER SIDE OF P.C.B. & Q1-3 & 6-13				
3	R10 D.I.T., DETERMINE IN TEST				

DALLAS MUSIC INDUSTRIES		MONTGOMERY, ALABAMA	
DESIGN	DATE	DESIGNER	CHECKED
10/35V	1-21-64		
PART NO. 10/35V		MODEL 25000 & 25016 BRIDGE POWER AMPLIFIER	
DATE		REVISION P.C.B.	
PART NO.		ASSEMBLY NO.	
10/35V		2504394	
SCALE 2:1		DO NOT SCALE DRAWING	

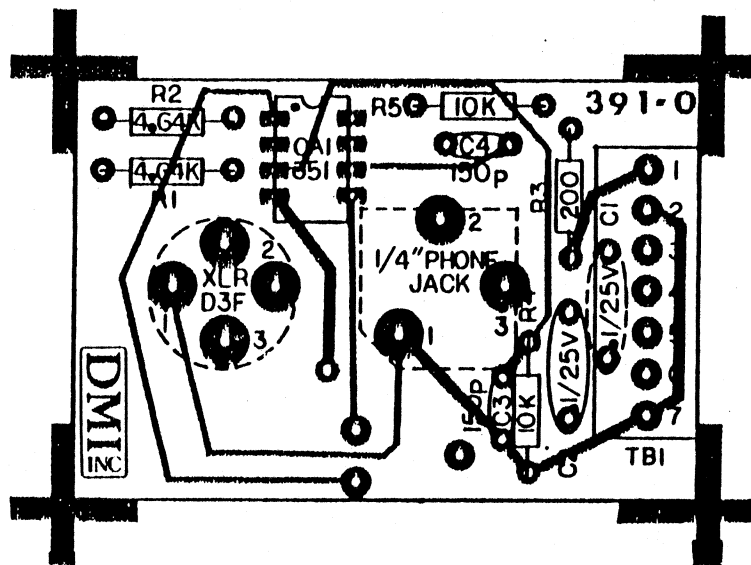


NOTES:

- 1) PINS 2 & 3 ARE BALANCED,
PINS 1 & 3 ARE UNBALANCED
ON BOTH 3-PIN CONNECTORS

LAST REF DES		REV	ECO	DESCRIPTION	DATE
USED	NOT USED				
C4					
R5					
OA1					
TBI					

DALLAS MUSIC INDUSTRIES HAWTHORNE, N.J. 07506			
DWN.: JJD	DATE: 1/18/82	CREST:	
APP: <i>[Signature]</i>	DATE: 1-20-82	MODEL "S" SERIES POWER AMPLIFIERS	
TOL: ±.02	±.1°	INPUT P.C.B.	
RES: ±.01	FRACT: 1/84	SCHEMATIC	
MATL:			
FINISH:		DWG. No.: 2102391	REV: 00
SCALE: --		DO NOT SCALE DRAWING	

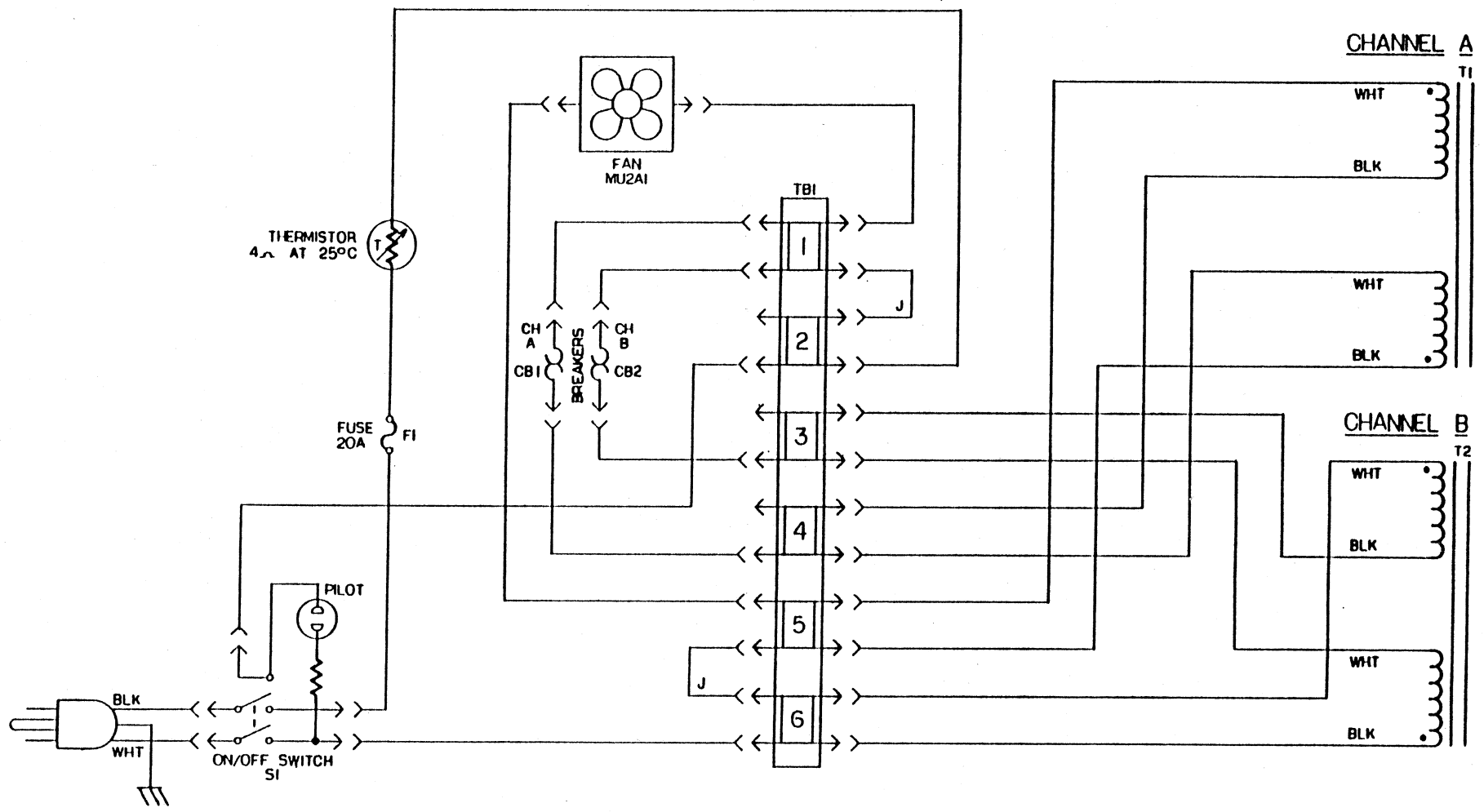


NOTES:

- 1) COMPONENT SIDE UP
- 2) XLR & PHONE CONNECTORS MOUNT TO CHASSIS & SOLDER SIDE OF P.C.B.
- 3) MOUNT CI ON SOLDER SIDE

REV	ECO	DESCRIPTION	DATE

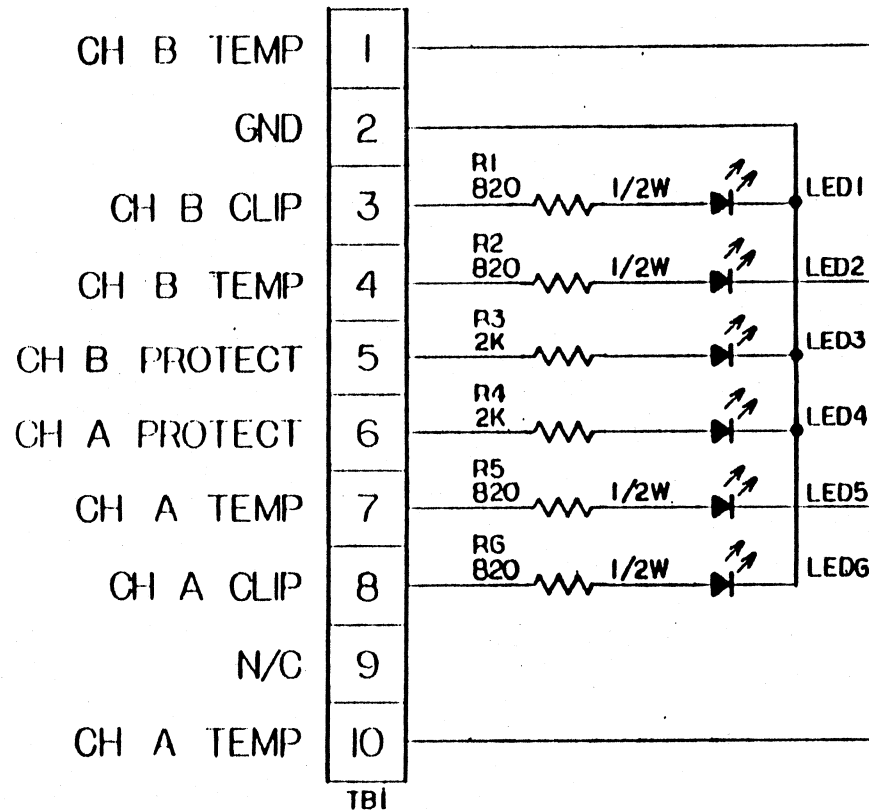
DALLAS MUSIC INDUSTRIES HAWTHORNE, N.J. 07508			
DWN.: JJD	DATE: 1/15/82	CRST:	
APP: <i>[Signature]</i>	DATE: 1-20-82	MODEL "S" SERIES POWER AMPLIFIERS	
TOL: RS: ±.02 L: ±1° RHS: ±.01 FRACT: 1/64		INPUT P.C.B.	
MATL:		ASSEMBLY DWG.	
FINISH:		DWG. No.: 2202391	REV.: 00
		SCALE: 2:1	DO NOT SCALE DRAWING



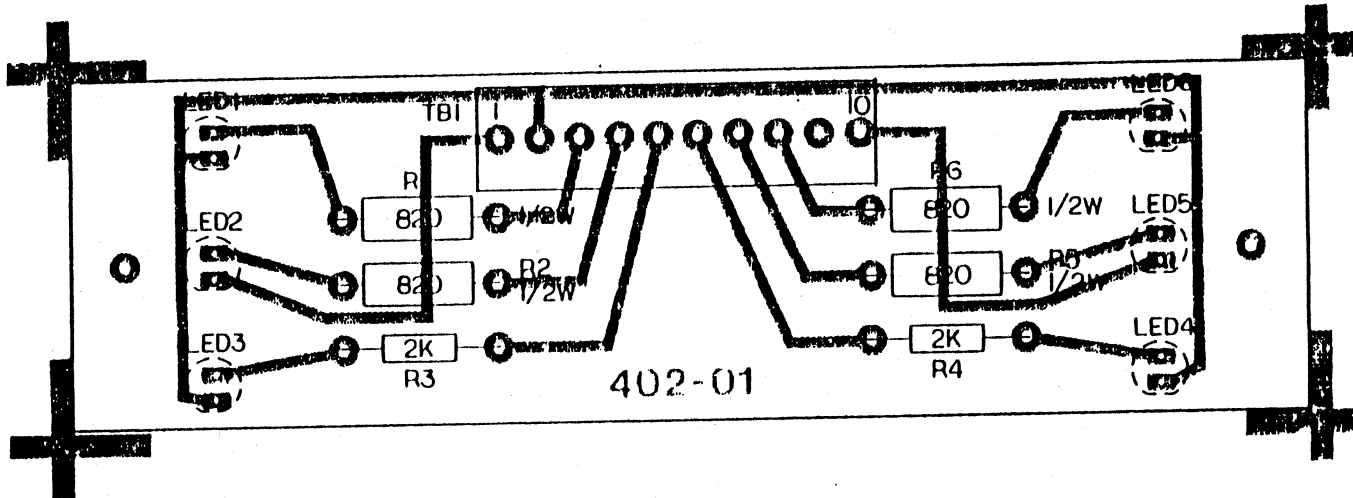
120V TRANSFORMER WIRING

BREAKERS			NOTES:	REV	ECO	DESCRIPTION	DATE
MODEL	CB 1	CB 2					
2500S	5A	5A	1) J- JUMPER 2) THERMISTOR LOCATED ON CHASSIS 3) FAN LOCATED ON HEATSINK				
2501S	5A	5A					
3500S	8A	8A					
3501S	8A	8A					

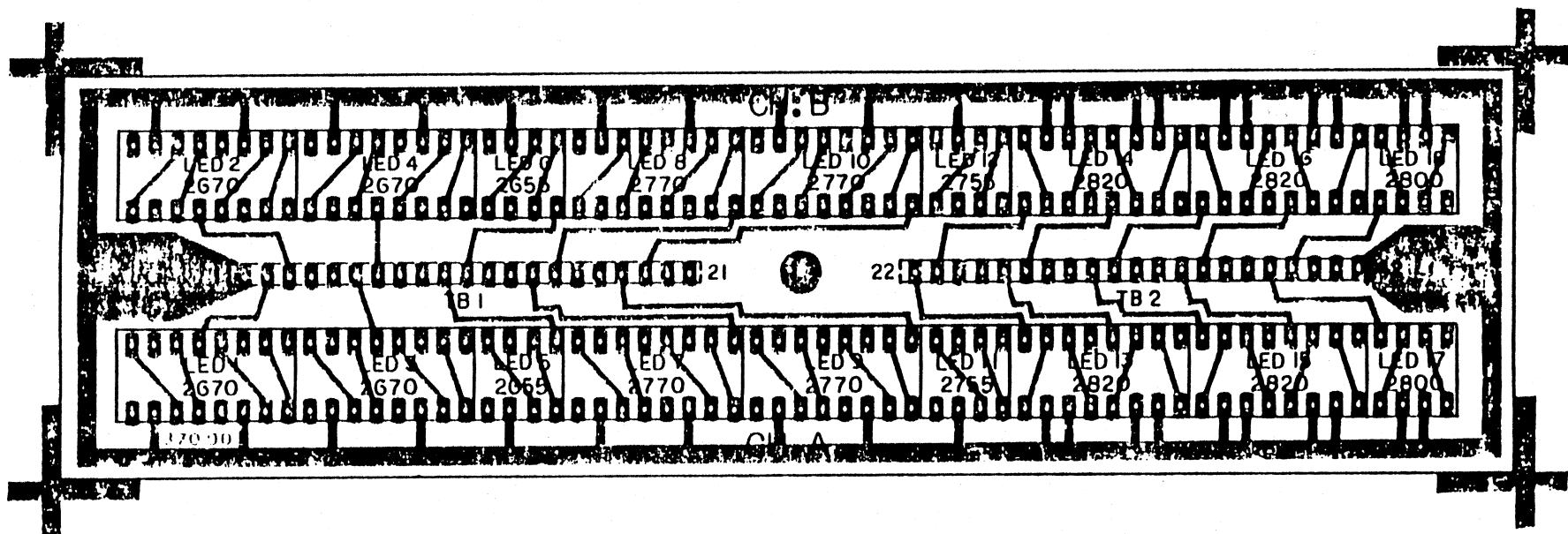
DALLAS MUSIC INDUSTRIES HAWTHORNE, N.J. 07308			
OWN	JJD	DATE	8/16/82
APP	<i>[Signature]</i>	DATE	8/21/82
TOL:	± 2.0% < 2"		
	*** ± 0.01 FRACT 2 1/64		
MATL.			
FINISH			
CREST: MODEL "S" SERIES POWER AMPLIFIERS TRANSFORMER WIRING DIAGRAM (120V) SCHEMATIC			REV
Dwg No. 2103603			00



USED	NOT USED	NOTES:	REV	ECO	DESCRIPTION	DATE	DALLAS MUSIC INDUSTRIES HAWTHORNE, N.J. 07506	
		1) LEDs ARE RED 2) UNSPECIFIED RESISTORS - 1/4W					DWN.: JJD	DATE: 8/11/82
							APP: [Signature]	DATE: 8/11/82
							TOL: R: ± 0.02 Z: $\pm 1^\circ$ RES: ± 0.01 FRAC: $\frac{1}{100}$	CREST: MODEL "S" SERIES POWER AMPLIFIERS LIGHT PROTECT P.C.B.
							MATL.:	SCHMATIC
							FINISH:	DWG. Nr.: 2102402
							SCALE: --	DO NOT SCALE DRAWING



LAST REF DES		NOTES: 1) LEDS MOUNT ON SOLDER SIDE 2) LEDS ARE RED 3) RESISTORS-1/4W	REV	ECO	DESCRIPTION	DATE	DALLAS MUSIC INDUSTRIES HAWTHORNE, N.J. 07508		
USED	NOT USED						DWN.: JJD	DATE: 8/11/82	CREST:
RG							APP: [Signature]	DATE: 3/11/82	MODEL "S" SERIES POWER AMPLIFIERS
LEDG							TOL: XX: ±.02 Z: ±1° AAA: ±.01 FRACT: ±1/64		LIGHT PROTECT P.C.B.
TBI							MATL:		ASSEMBLY DWG.
						FINISH:	DWG. Nr.: 2202402	REV 100	
							SCALE: 2:1	DO NOT SCALE DRAWING	



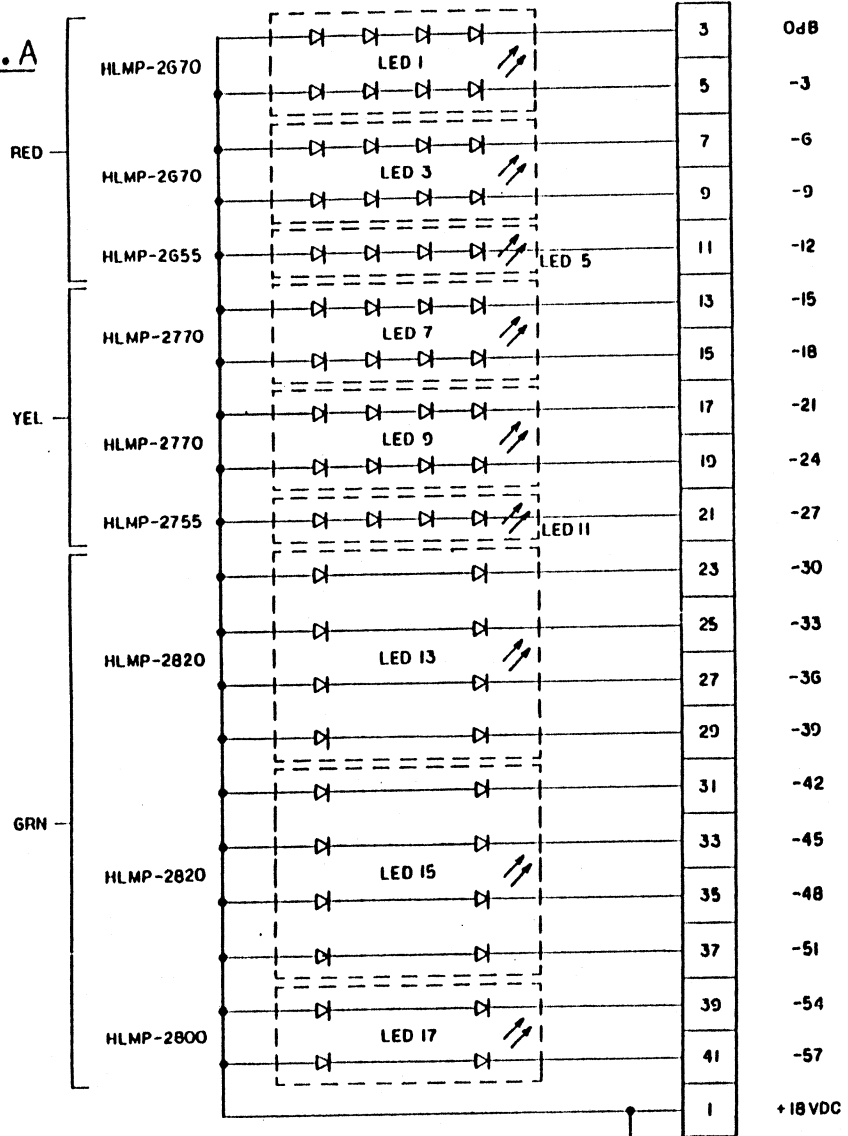
NOTES:

- 1) COMPONENT SIDE UP
- 2) RED- LED 1-6
YEL- LED 7-12
GRN- LED 13-18
- 3) TB1 & 2 MOUNT ON SOLDER SIDE

REV	ECO	DESCRIPTION	DATE

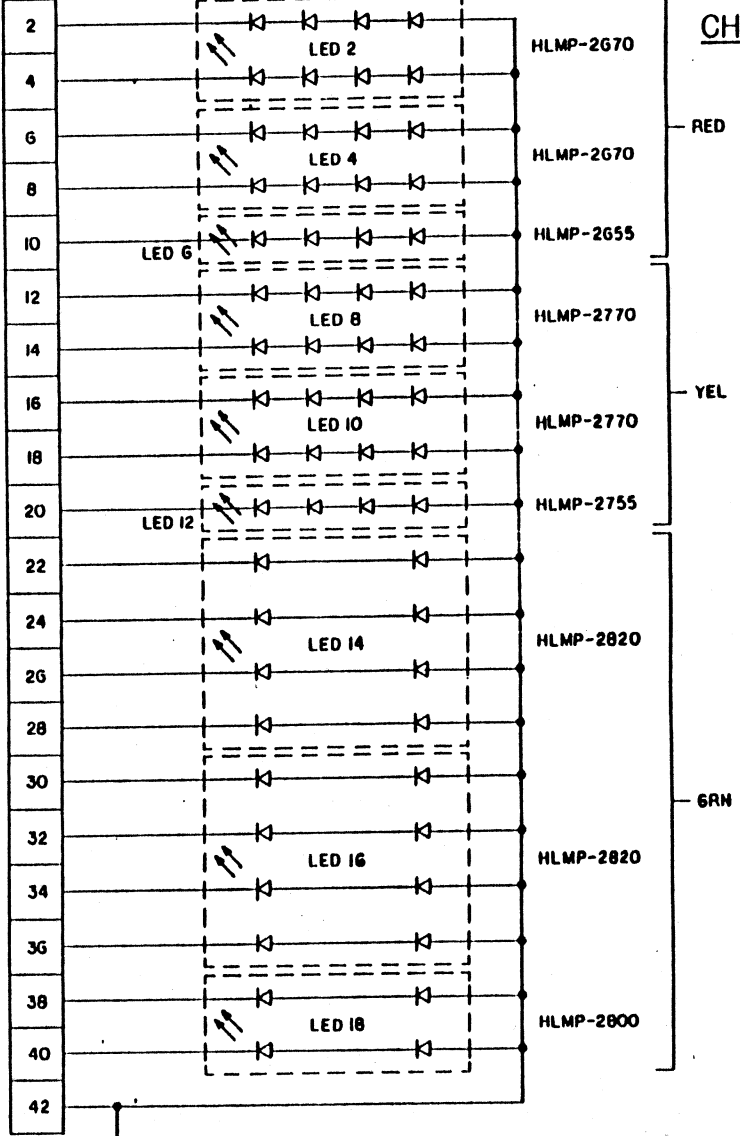
DALLAS MUSIC INDUSTRIES HAWTHORNE, N.J. 07508			
DWN.: JJD	DATE: 2/8/82	CREST:	
APP: <i>[Signature]</i>	DATE: 6-12-82	POWER AMPLIFIERS w/ METERS	
TOL: DR: ±.02 Z: ±1° HRS: ±.01 FRAC: 1/64	METER ARRAY P.C.B.		ASSEMBLY DWG,
MATL.:	DWG. Nr.: 2202370		REV: 00
FINISH:	SCALE: 2:1 DO NOT SCALE DRAWING		

CH. A



0dB	3
-3	5
-6	7
-9	9
-12	11
-15	13
-18	15
-21	17
-24	19
-27	21
-30	23
-33	25
-36	27
-39	29
-42	31
-45	33
-48	35
-51	37
-54	39
-57	41
+18VDC	1

CH. B



RED
YEL
GRN

NOTES:
1) TB1 TERMINALS 1-21 & TB2 TERMINALS 22-42.

REV	ECO	DESCRIPTION	DATE

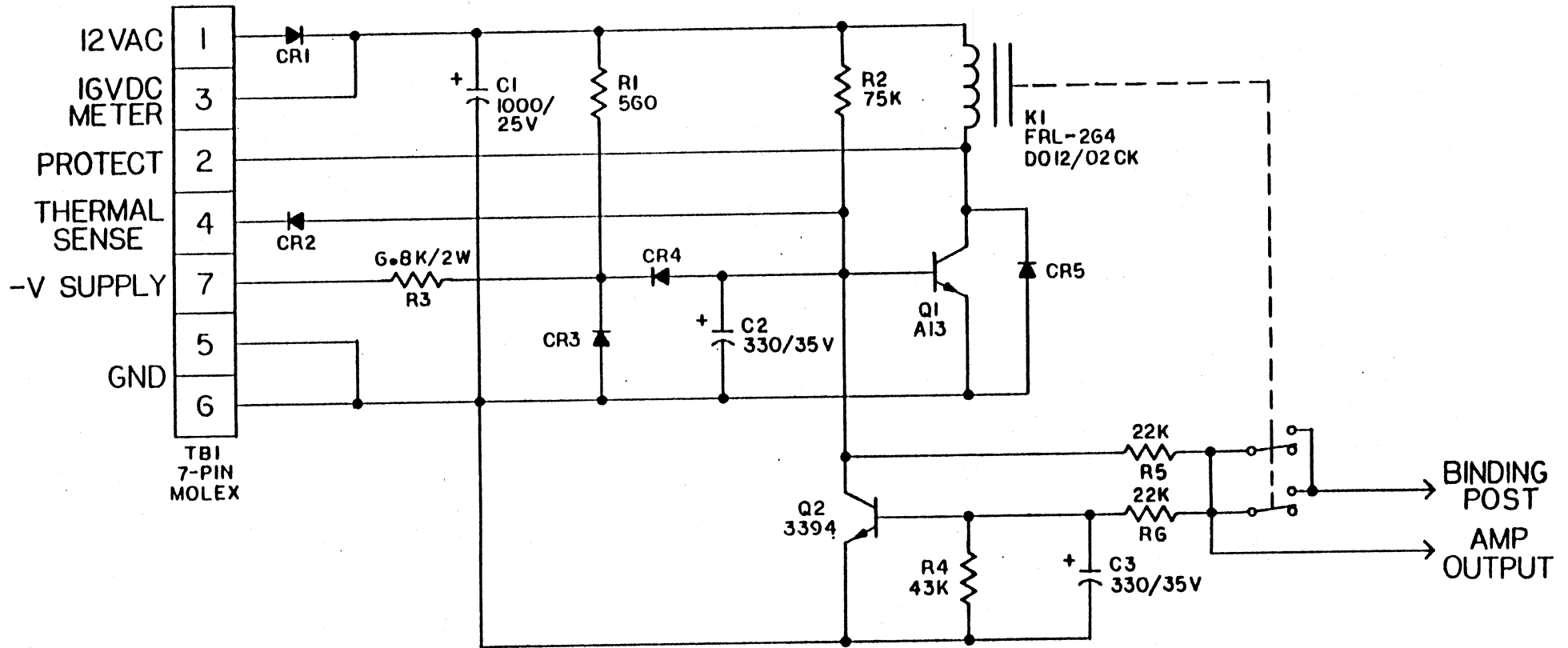
DALLAS MUSIC INDUSTRIES
HAWTHORNE, N.J. 07508

OWN: JJD DATE: 8/8/82 CREST:
APP: [Signature] DATE: 8-2-82 MODELS 2500B, 3500B, 4000, 5000
POWER AMPLIFIER LEADS
TOL: 1.00 ±.010
FIN: 2.00 ±.010
FRAC: 1/64

NETER ARRAY P.C.B.

MATL:
SCHEMATIC

FINISH: OWS No: 2103370 REV: 00
SCALE: -- DO NOT SCALE DRAWING



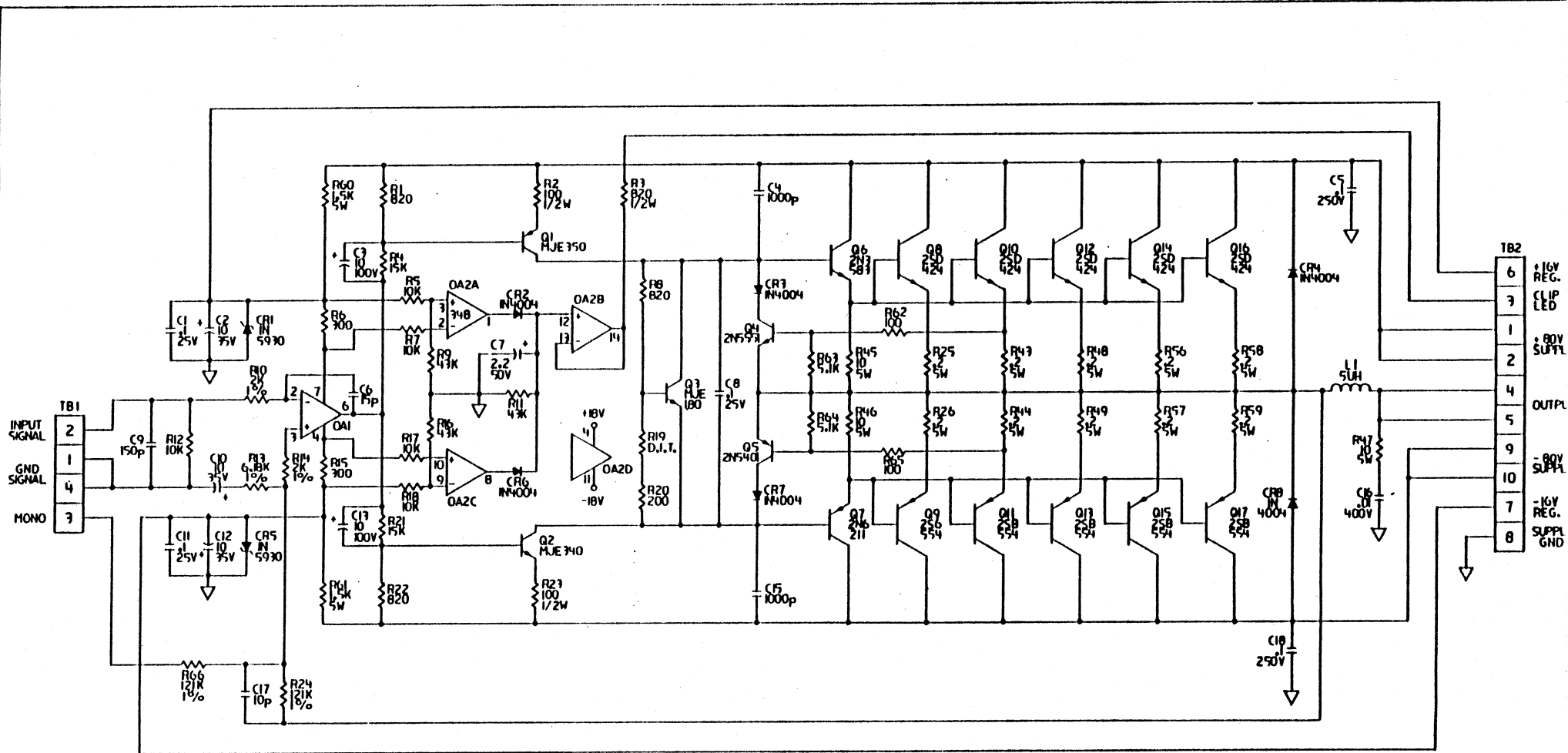
NOTES:

1) ALL DIODES: IN4004

LAST REF	DES	REV	ECO	DESCRIPTION	DATE
	C3				
	R6				
	K1				
	Q2				
	CR5				
	TBI				

DALLAS MUSIC INDUSTRIES
HAWTHORNE, N.J. 07508

DWN: JJD	DATE: 2-2-82	CREST:
APP: <i>[Signature]</i>	DATE: <i>[Signature]</i>	
TOL: 1.00	± 1°	MODEL "S" SERIES POWER AMPLIFIERS
MATL:	FRAC: 1/64	RELAY P.C.B.
FINISH:		SCHMATIC
DWG. No.:	2102400	REV: 00
SCALE: --	DO NOT SCALE DRAWING	



NOTES:		LAST USED	REF DES	REV	ECO	DESCRIPTION	DATE
1) R19, D.J.T., DETERMINE IN TEST. IS BIAS RESISTOR. VOLTAGE ACROSS R45 & R46 IS BETWEEN 475mV MIN. & 510mV MAX. AS DETERMINED BY R19.							
2) PINS 5,6,7 ON OA2D NOT USED.							
USED	NOT USED						
R66	R27-42						
	R50-55						
C18	C14						
CR8							
L1							
OA2							
Q17							

DALLAS MUSIC INDUSTRIES			
MUSICOPIA, DALLAS, TEXAS			
DESIGN	REV	DATE	COMP.
100	1	11-1-81	CHRYSLER
225	1	11-1-81	BRUNNEN 33000 & 31010
101	1	11-1-81	POWER AMPLIFIERS
102	1	11-1-81	BRUNNEN 33000 & 31010
103	1	11-1-81	BRUNNEN 33000 & 31010
104	1	11-1-81	BRUNNEN 33000 & 31010
105	1	11-1-81	BRUNNEN 33000 & 31010
106	1	11-1-81	BRUNNEN 33000 & 31010
107	1	11-1-81	BRUNNEN 33000 & 31010
108	1	11-1-81	BRUNNEN 33000 & 31010
109	1	11-1-81	BRUNNEN 33000 & 31010
110	1	11-1-81	BRUNNEN 33000 & 31010
111	1	11-1-81	BRUNNEN 33000 & 31010
112	1	11-1-81	BRUNNEN 33000 & 31010
113	1	11-1-81	BRUNNEN 33000 & 31010
114	1	11-1-81	BRUNNEN 33000 & 31010
115	1	11-1-81	BRUNNEN 33000 & 31010
116	1	11-1-81	BRUNNEN 33000 & 31010
117	1	11-1-81	BRUNNEN 33000 & 31010
118	1	11-1-81	BRUNNEN 33000 & 31010
119	1	11-1-81	BRUNNEN 33000 & 31010
120	1	11-1-81	BRUNNEN 33000 & 31010