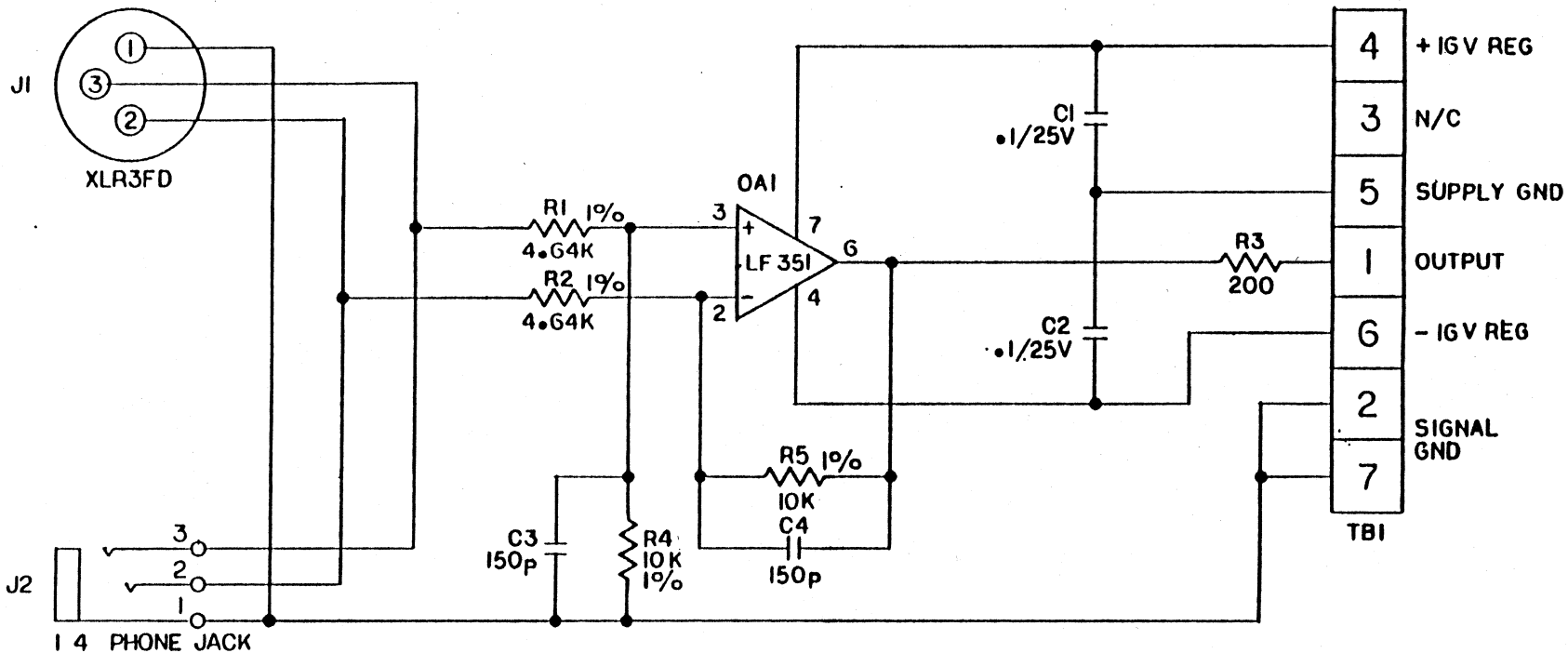


NOTES:		REV	ECO	DESCRIPTION	DATE
1	COMPONENT SIDE UP				
2	MOUNT TO HEATSINK & SOLDER SIDE OF P.C.B. & Q1-3 & 6-13				
3	R10.D.I.T., DETERMINE IN TEST				
<b>DALLAS MUSIC INDUSTRIES</b> DALLAS, TEXAS 75243					
DATE: 1-21-84 BY: [Signature] CHECKED BY: [Signature]		<b>CUSTOMER:</b> MODEL 25000 & 25010 BRASS POWER AMPLIFIER			
TITLE: [Blank] PART NO: [Blank]		<b>ISSUED BY:</b> [Blank]			
SCALE: 1:1		<b>DO NOT SCALE DRAWING</b>			

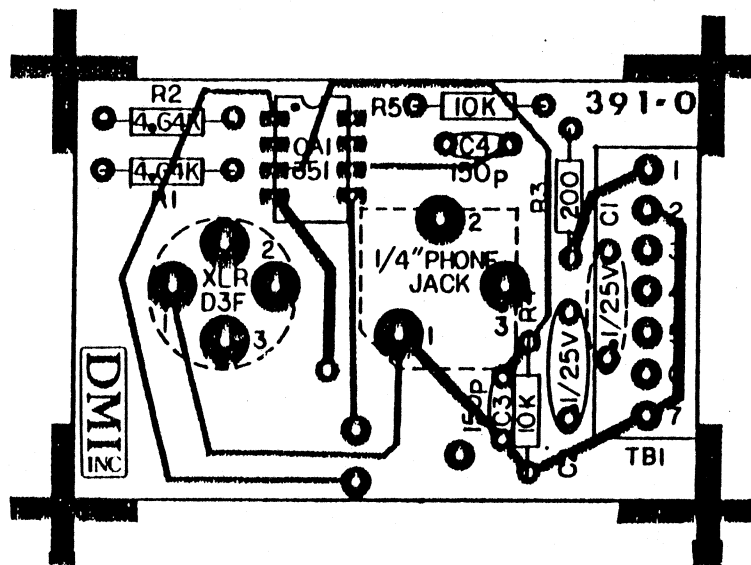


**NOTES:**

- 1) PINS 2 & 3 ARE BALANCED,  
PINS 1 & 3 ARE UNBALANCED  
ON BOTH 3-PIN CONNECTORS

LAST REF DES		REV	ECO	DESCRIPTION	DATE
USED	NOT USED				
C4					
R5					
OA1					
TBI					

DALLAS MUSIC INDUSTRIES HAWTHORNE, N.J. 07506			
DWN.: JJD	DATE: 1/18/82	CREST:	
APP: <i>[Signature]</i>	DATE: 1-20-82	MODEL "8" SERIES POWER AMPLIFIERS	
TOL: ±.02	±.1°	INPUT P.C.B.	
RES: ±.01	FRACT: 1/84	SCHEMATIC	
MATL:			
FINISH:		DWG. No.: 2102391	REV: 00
SCALE: --		DO NOT SCALE DRAWING	

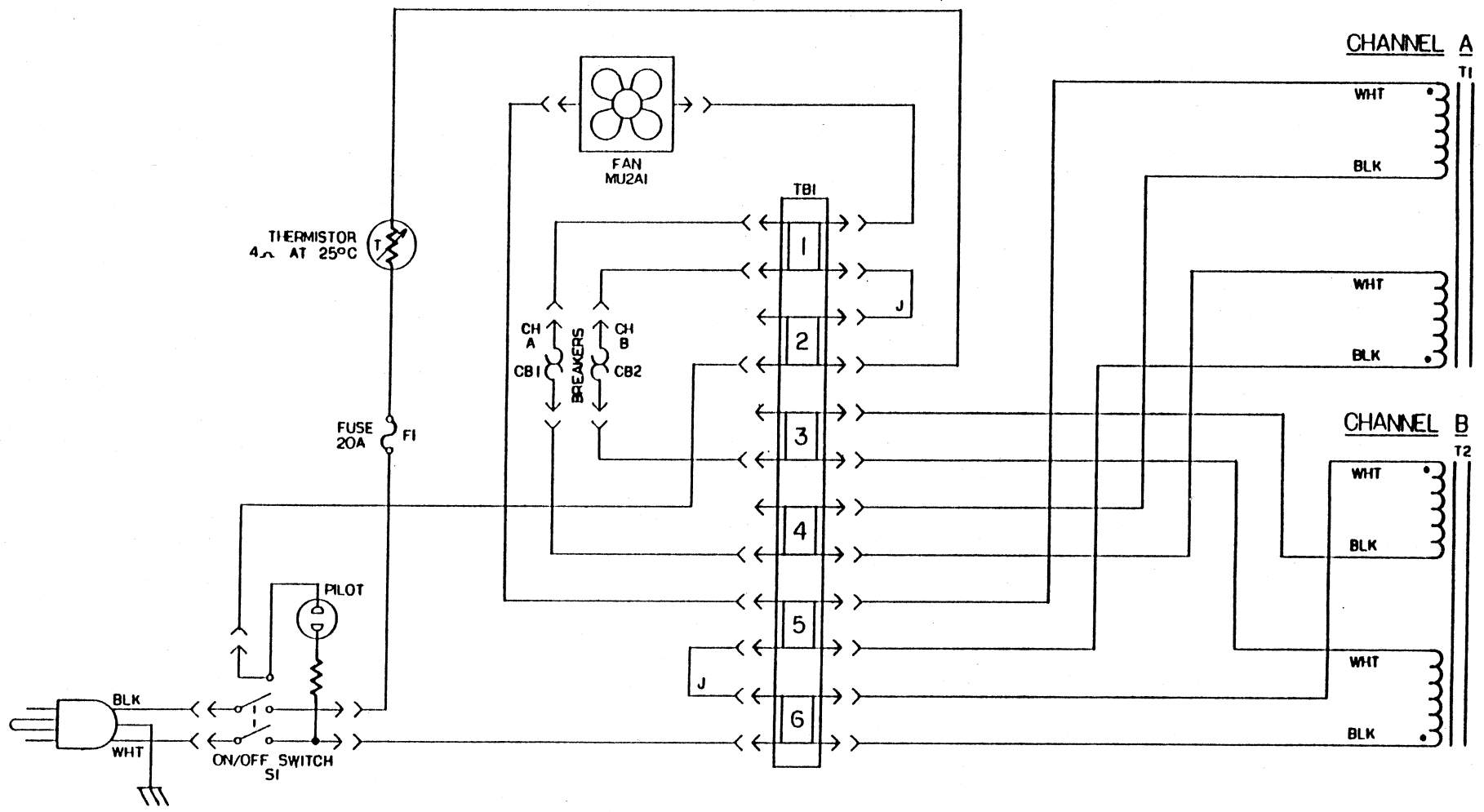


**NOTES:**

- 1) COMPONENT SIDE UP
- 2) XLR & PHONE CONNECTORS MOUNT TO CHASSIS & SOLDER SIDE OF P.C.B.
- 3) MOUNT CI ON SOLDER SIDE

REV	ECO	DESCRIPTION	DATE

<b>DALLAS MUSIC INDUSTRIES</b> HAWTHORNE, N.J. 07508			
DWN.: JJD	DATE: 1/15/82	CRST:	
APP: <i>[Signature]</i>	DATE: 1-20-82	MODEL "S" SERIES POWER AMPLIFIERS	
TOL: RS: ±.02    Z: ±1° RHS: ±.01    PRCT: ±1/64		INPUT P.C.B.	
MATL:		ASSEMBLY DWG.	
FINISH:		DWG. No.: 2202391	REV.: 00
		SCALE: 2:1	DO NOT SCALE DRAWING

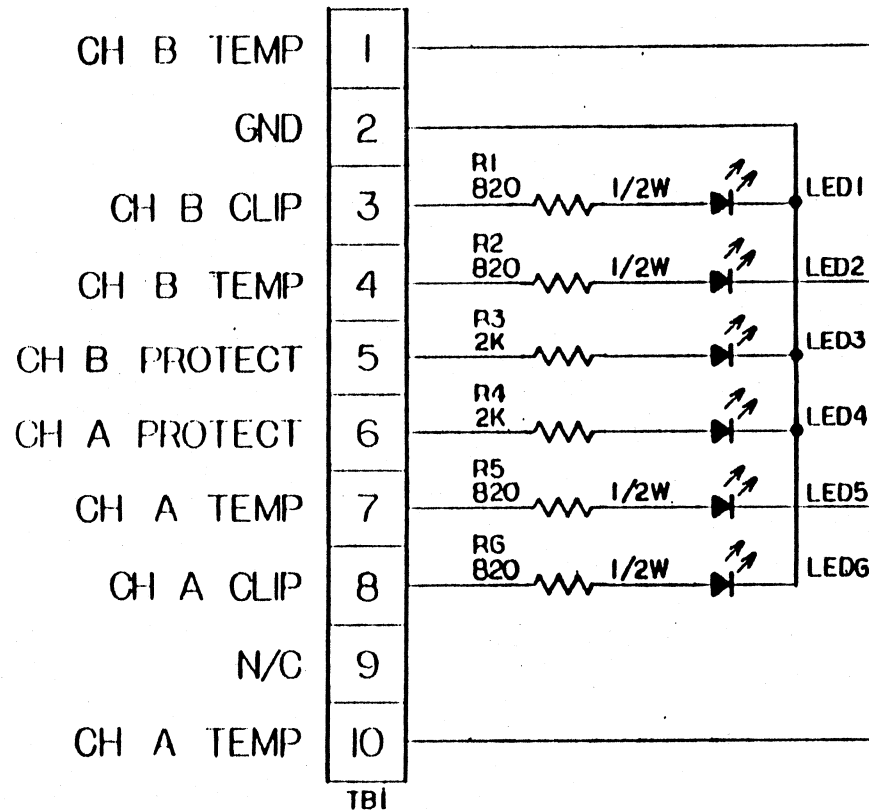


120V TRANSFORMER WIRING

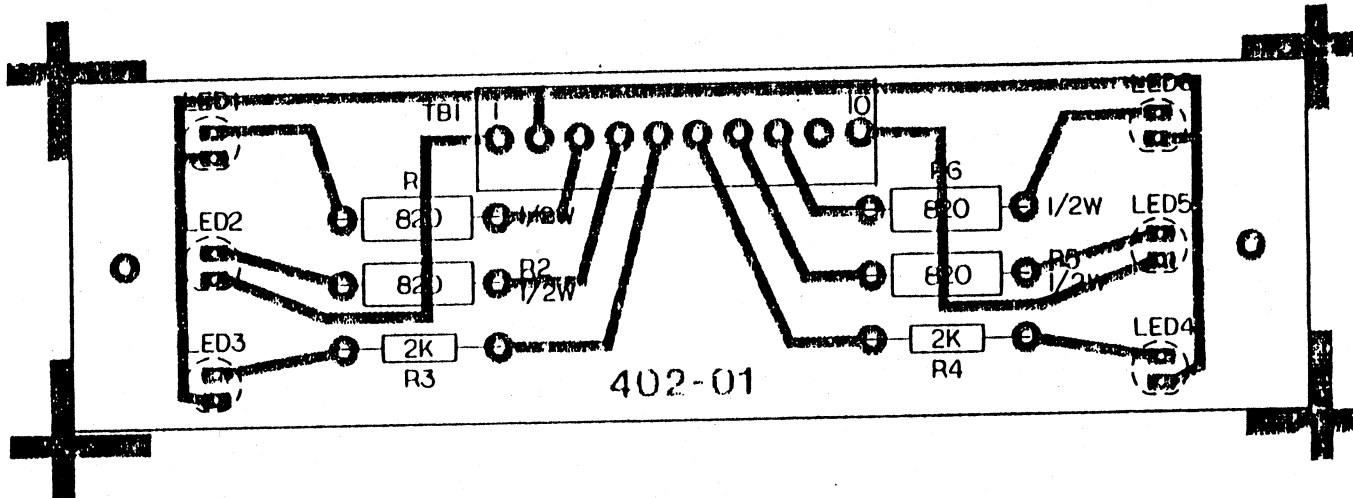
BREAKERS			NOTES:	REV	ECO	DESCRIPTION	DATE
MODEL	CB 1	CB 2					
2500S			1) J- JUMPER 2) THERMISTOR LOCATED ON CHASSIS 3) FAN LOCATED ON HEATSINK				
2501S	5A	5A					
3500S	8A	8A					
3501S							

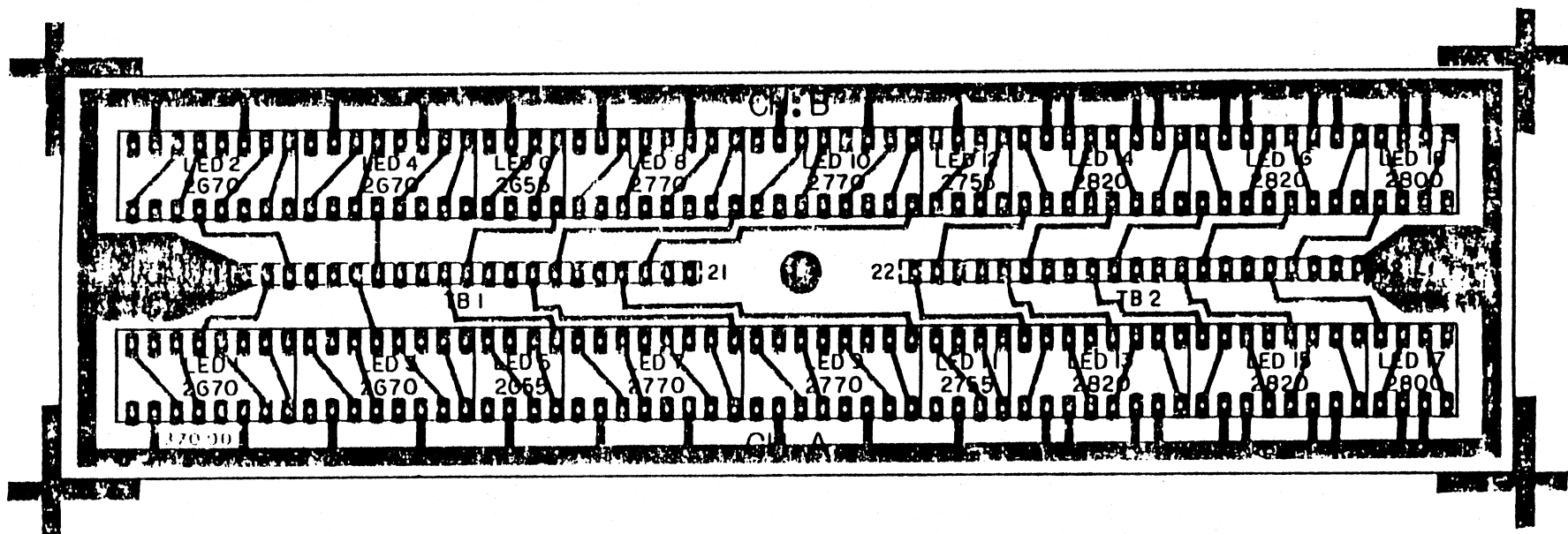
DALLAS MUSIC INDUSTRIES HAWTHORNE, N.J. 07308			
OWN	JJD	DATE	8/16/82
APP	<i>[Signature]</i>	DATE	8/21/82
TOL:	± 2.0% < 2"		
	± 2.0% FRACT 2/100		
MATL.			
FINISH			
SCHEMATIC			REV
DWG NO. 2103603			00



USED	NOT USED	NOTES:	REV	ECO	DESCRIPTION	DATE	DALLAS MUSIC INDUSTRIES HAWTHORNE, N.J. 07506	
		1) LEDs ARE RED 2) UNSPECIFIED RESISTORS - 1/4W					DWN.: JJD APP: <i>[Signature]</i> TOL: ±.02 ±.1° ±.01 FRACT: 1/64	DATE: 8/11/82 DATE: 8/11/82
RG							MATL.:	CREST:
LEDG							FINISH:	MODEL "S" SERIES POWER AMPLIFIERS
TBI								<u>LIGHT PROTECT P.C.B.</u>
								SCHMATIC
								DWG. No.: 2102402
								SCALE: -- NO NOT SCALE DRAW



LAST REF DES		NOTES:	REV	ECO	DESCRIPTION	DATE	DALLAS MUSIC INDUSTRIES HAWTHORNE, N.J. 07508		
USED	NOT USED		1) LEDS MOUNT ON SOLDER SIDE 2) LEDS ARE RED 3) RESISTORS-1/4W					DWN.: JJD	DATE: 8/11/82
RG								APP: [Signature]	DATE: 3/11/82
LEDG								TOL: XX: ±.02    <: ±1° AAA: ±.01    FRACT: ±1/64	
TBI								MATL:	
							FINISH:		
							DWG. Nr.:	2202402	REV 100
							SCALE: 2:1	DO NOT SCALE DRAWING	



**NOTES:**

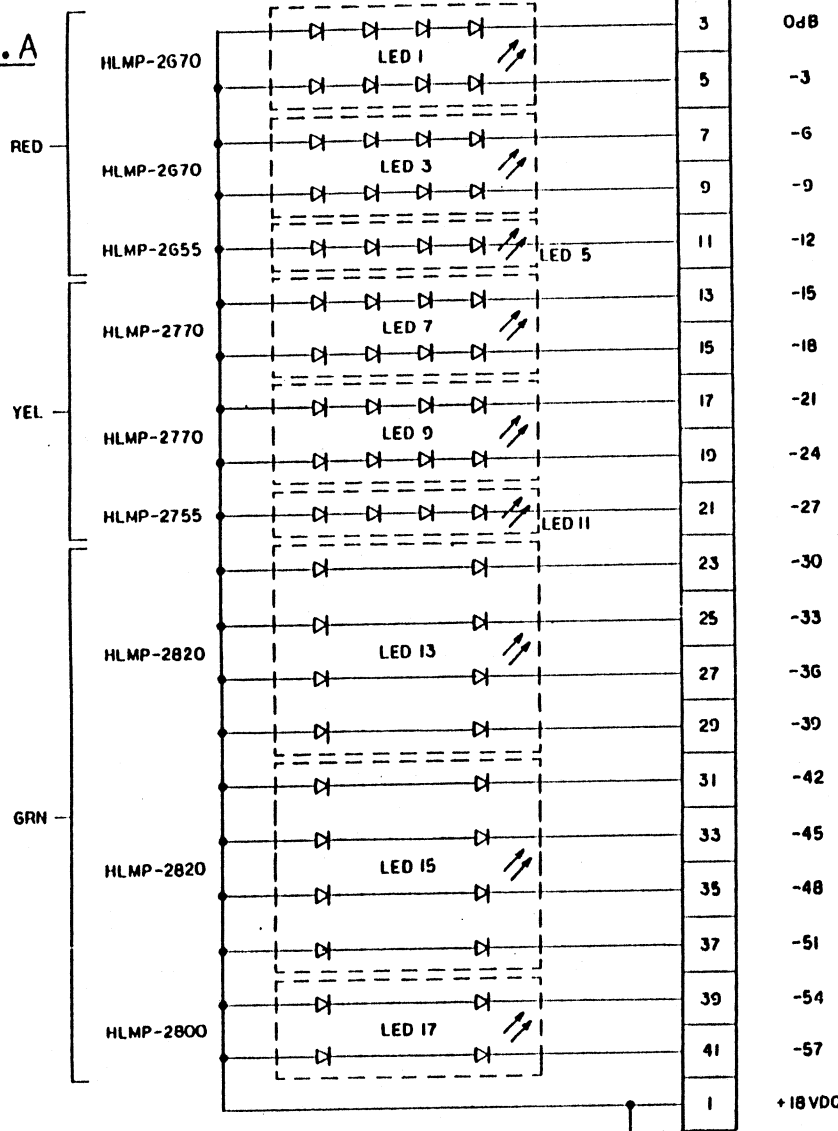
- 1) COMPONENT SIDE UP
- 2) RED- LED 1-6  
YEL- LED 7-12  
GRN- LED 13-18
- 3) TB1 & 2 MOUNT ON SOLDER SIDE

REV	ECO	DESCRIPTION	DATE

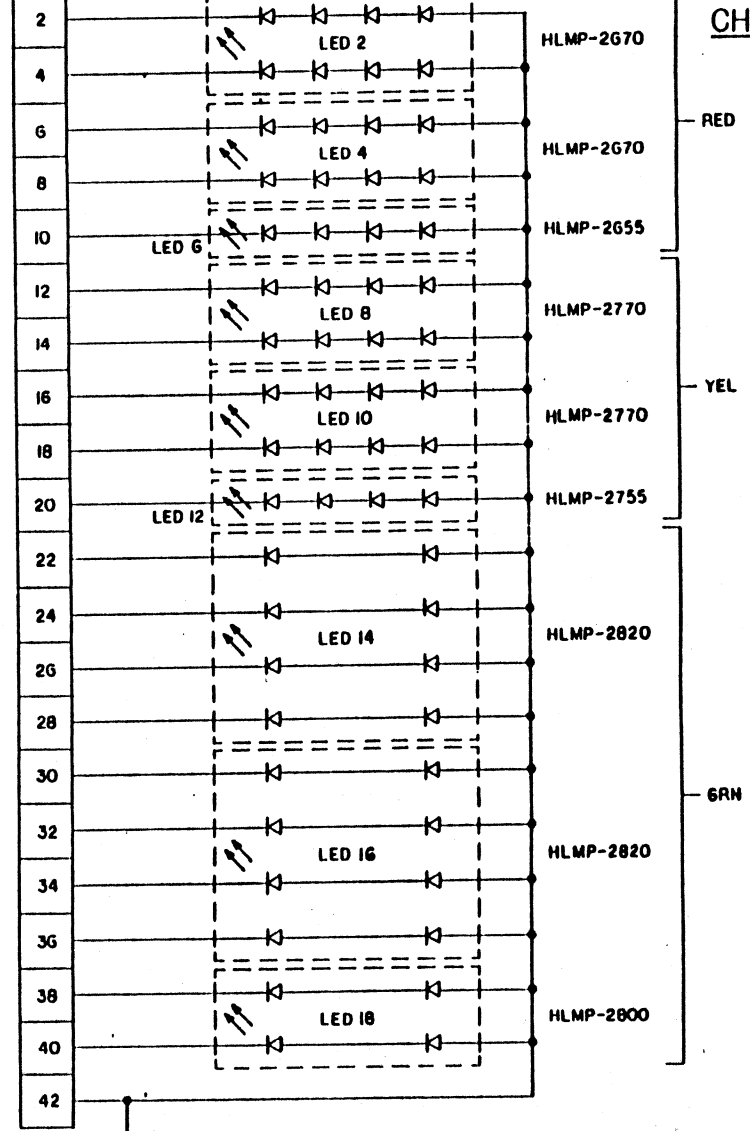
<b>DALLAS MUSIC INDUSTRIES</b> HAWTHORNE, N.J. 07508			
DWN.: JJD	DATE: 2/8/82	CREST:	
APP: <i>[Signature]</i>	DATE: 6-12-82	POWER AMPLIFIERS w/ METERS	
TOL: DR: ±.02    Z: ±1° BAR: ±.01    FRAC: 1/64	METER ARRAY P.C.B.		ASSEMBLY DWG,
MATL.:	DWG. Nr.: 2202370		REV: 00
FINISH:	SCALE: 2:1 DO NOT SCALE DRAWING		



**CH. A**



**CH. B**



**NOTES:**

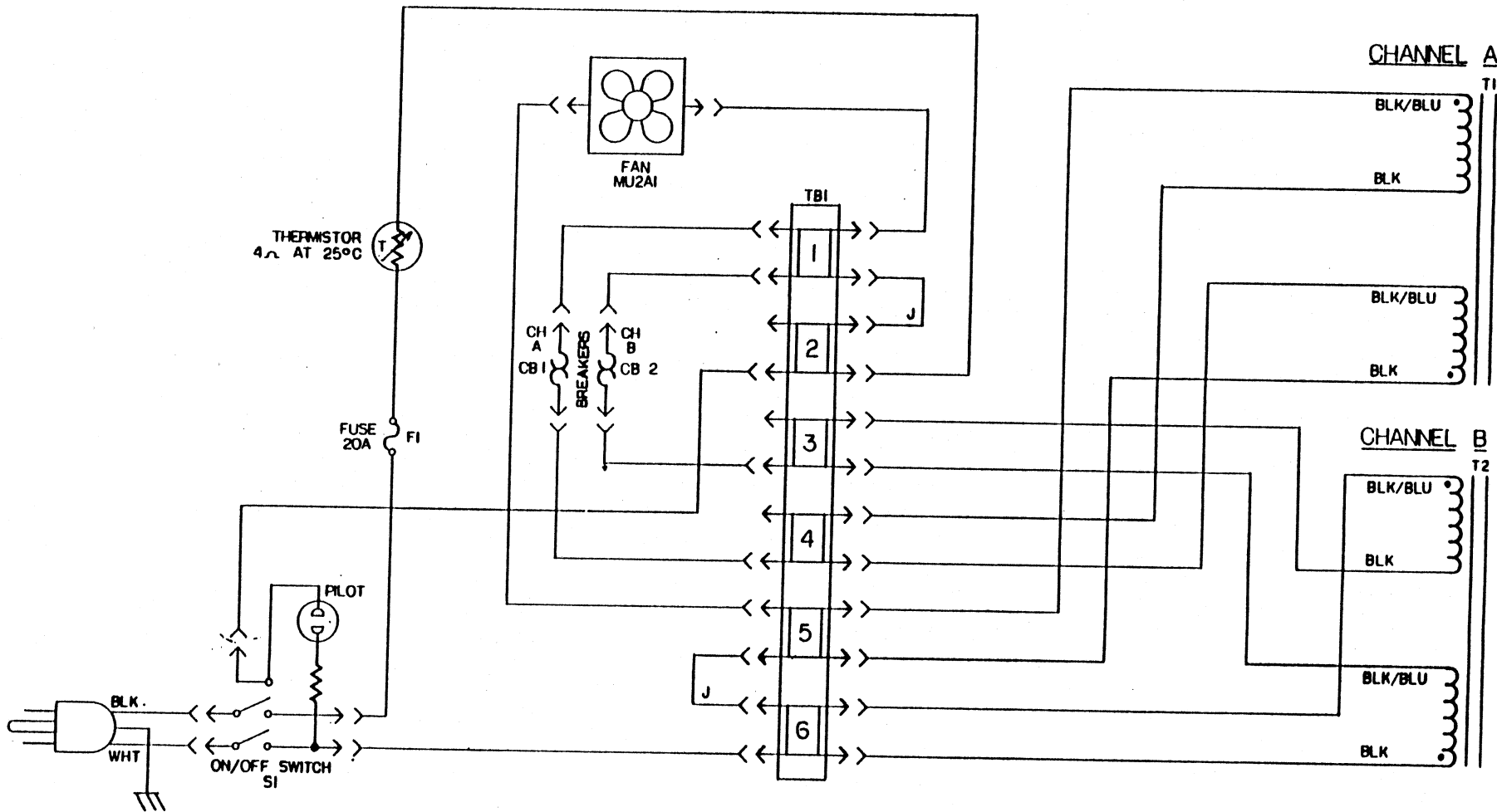
1) TB1 TERMINALS 1-21 & TB2 TERMINALS 22-42.

REV	ECO	DESCRIPTION	DATE

DALLAS MUSIC INDUSTRIES  
HAWTHORNE, N.J. 07508

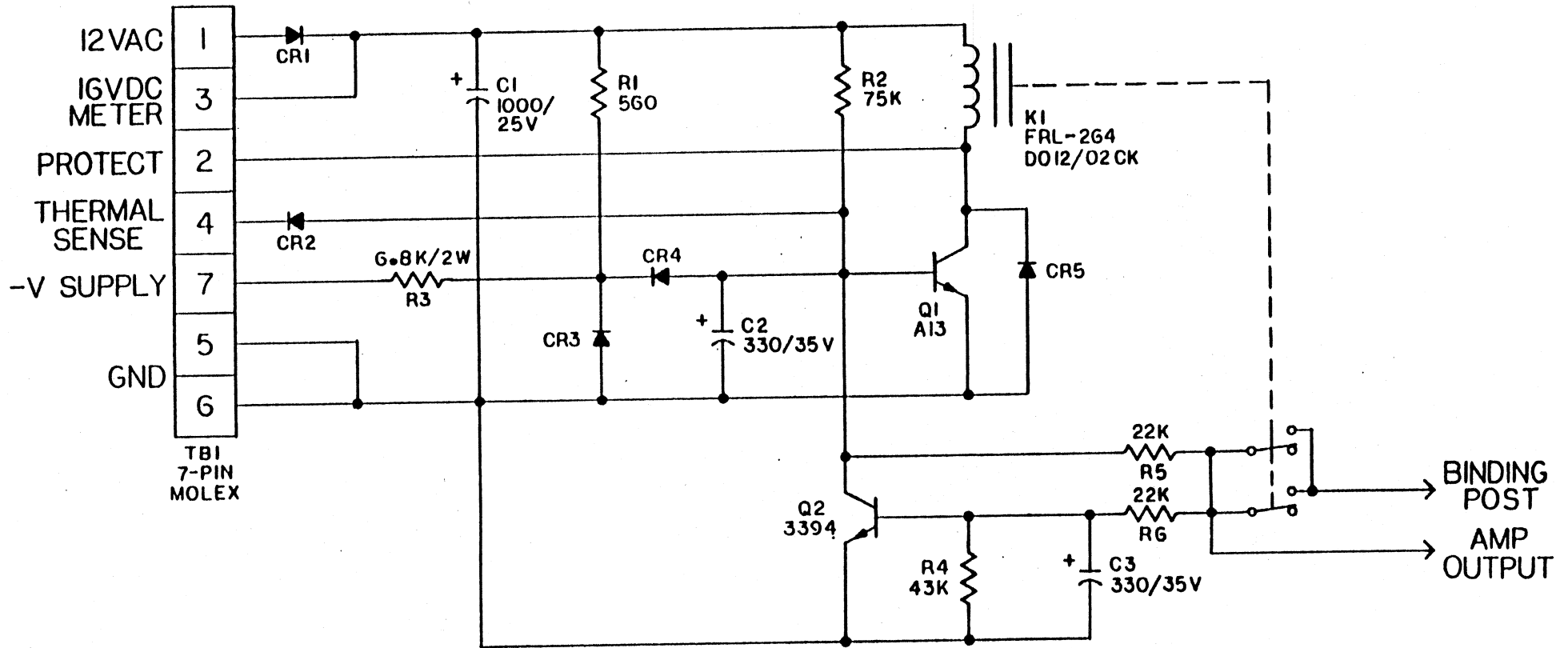
OWN: JJD	DATE: 8/8/82	CREST:
APP: [Signature]	DATE: 8-2-82	MODELS 2500B, 3500B, 4000, 5000 POWER AMPLIFIER
TOL: 1.00	FRAC: 1/16"	METER ARRAY P.C.B.
FINISH:	SCALE: --	DO NOT SCALE DRAWING
OWN No: 2103370	REV: 00	

# S-Series



## 100V TRANSFORMER WIRING

BREAKERS			NOTES:	REV	ECO	DESCRIPTION	DATE	DALLAS MUSIC INDUSTRIES HAWTHORNE, N.J. 07000	
MODEL	CB 1	CB 2						OWR: JJD	DATE: 8/16/82
2500S	5A	5A	1) J- JUMPER 2) THERMISTOR LOCATED ON CHASSIS 3) FAN LOCATED ON HEATSINK					APP: [Signature]	DATE: [Signature]
2501S								VOL: 2.00	4: 1.1"
3500S	8A	8A						REV: 2.01	FRAC: 1/16"
3501S								MATL:	
								FINISH:	REV: [Signature]



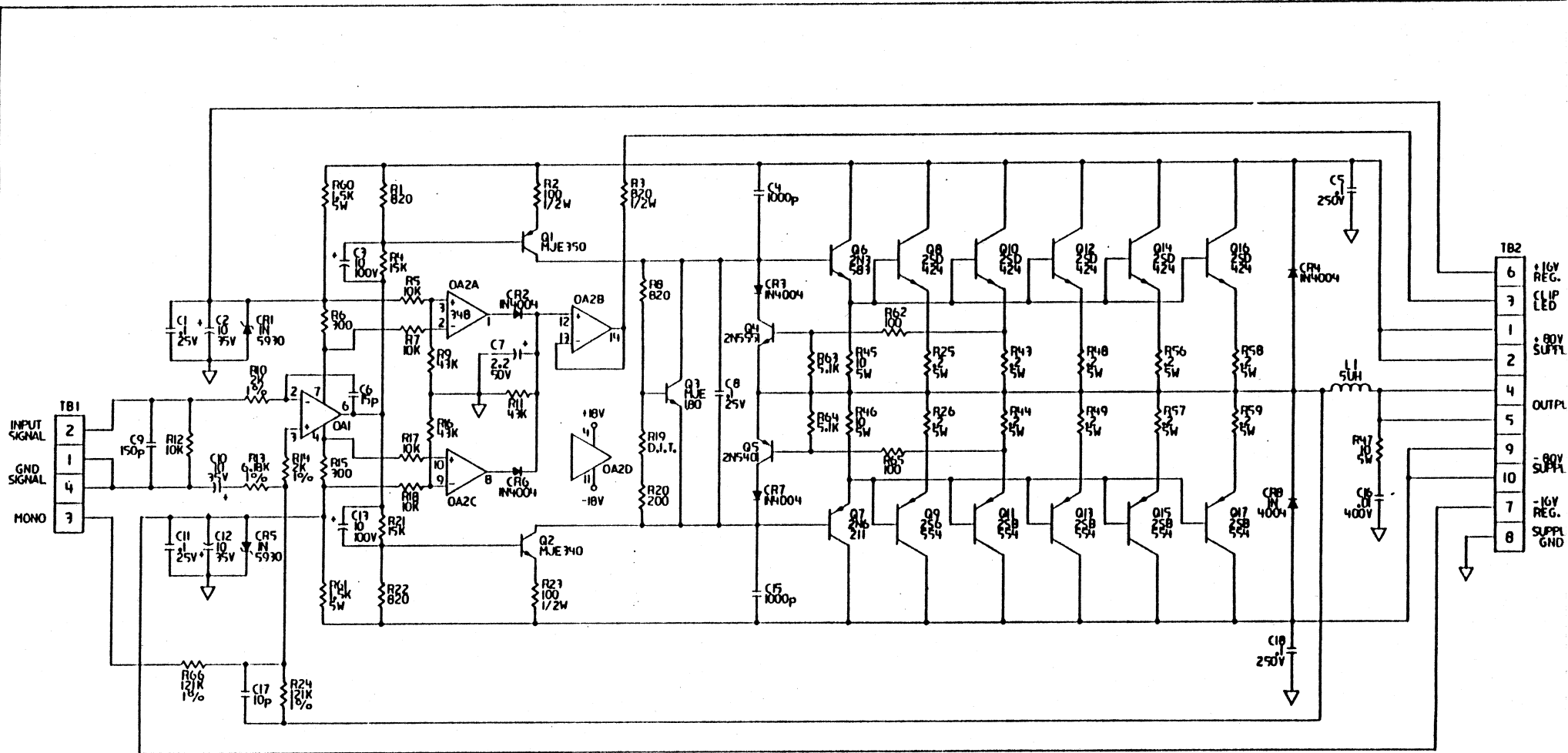
**NOTES:**

1) ALL DIODES: IN4004

LAST REF	DES	REV	ECO	DESCRIPTION	DATE
	C3				
	R6				
	K1				
	Q2				
	CR5				
	TBI				

DALLAS MUSIC INDUSTRIES  
HAWTHORNE, N.J. 07508

DWN: JJD	DATE: 2-2-82	CREST:
APP: <i>[Signature]</i>	DATE: <i>[Signature]</i>	
TOL: 1.00	± 1°	MODEL "S" SERIES
ERR: 2.01	FRAC: 2/64	POWER AMPLIFIERS
MATL:		RELAY P.C.B.
FINISH:		SCHMATIC
DWG. No.:	2102400	REV: 00
SCALE: --	DO NOT SCALE DRAWING	



NOTES:		LAST USED	REF DES	REV	ECO	DESCRIPTION	DATE
1) R19, D.J.T., DETERMINE IN TEST. IS BIAS RESISTOR. VOLTAGE ACROSS R45 & R46 IS BETWEEN 475mV MIN. & 510mV MAX. AS DETERMINED BY R19.		USED	NOT USED				
2) PINS 5,6,7 ON OA2D NOT USED.		R66	R27-42				
		C18	C14				
		CR8					
		L1					
		OA2					
		Q17					

DALLAS MUSIC INDUSTRIES MUSICOPIA, DALLAS, TEXAS			
DESIGN	REV	DATE	COMP:
228	11-1-61	11-1-61	MODEL 33000 & 31010
DESIGNER	BY	DATE	POWER AMPLIFIER
...	...	...	BRASSLINE MODEL
DATE			SCHEMATIC
FORM			DATE: 11-1-61
			FILE NO: 310430
			SCALE: TO NOT SCALE DRAWING