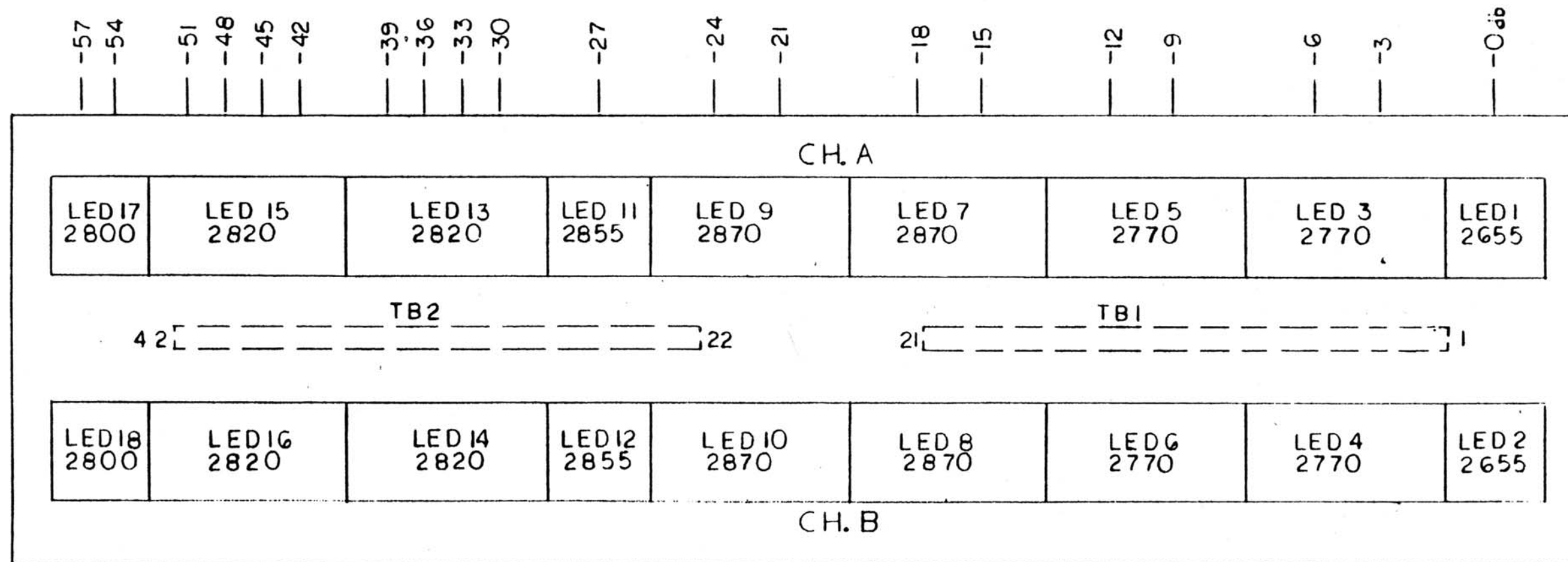


COMP. NOT INSTALLED BY OUTSIDE VENDOR	LAST REF. DES.		NOTES	REV.	DESCRIPTION	DATE
	USED	NOT USED				
			1. J = JUMPER			
			2. FAN SENSOR LOCATED ON HEATSINK MODULE			
			3. SEE INSET FOR 100V TB1/T1 CONNECTIONS 110V AND 120V XFMR TAB A = 120V B = 110V			
			4. UNUSED XFMR TAB PER WINDING GOES TO TB1 PINS 1 & 5			
			5. MODELS 3000/3001 C1,C2,C3,C4 15000 80V MODELS 4000/4001 C1,C2,C3,C4 20000 90V			
	C6					
	CB1					
	CR2					
	RI					
	S1					
	T1					
	TB3					

<b>CREST AUDIO</b> HAWTHORNE, N.J. 07506	
DWN: E.H.	DATE: 9/24/85
APP: J.E.	DATE: 11/18/85
TOL: ±.02 < ±.1°	***.01 FRACT. 2/104
MATL:	
FINISH:	
DWG. NO: 2103796	REV:
SCALE: —	DO NOT SCALE DRAWING



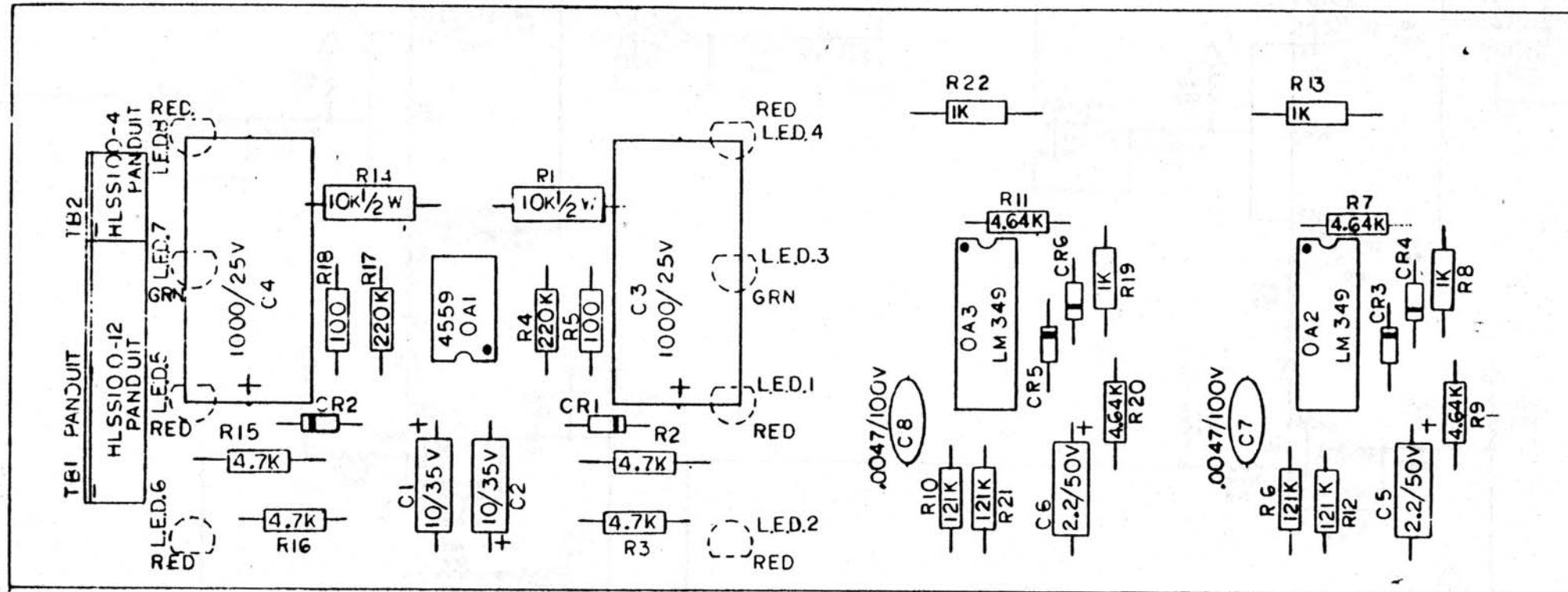


**NOTES**

- 1) COMPONENT SIDE UP
- 2) RED = LED 1-2  
YEL = LED 3-6  
GRN = LED 7-18
- 3) TBI & 2 MOUNT ON SOLDER SIDE

REV	DESCRIPTION	DATE
02	REDESIGN & REDRAW	10/26/83

<b>CREST AUDIO</b>	
HAWTHORNE, N.J. 07506	
DWN: E.C.	DATE: 10/26/83
APP: I.F.	DATE: 2/6/84
TOL: XX: ±.02    Z: ±1° XXX: ±.01    FRACT: ±1/64	
MATL:	
FINISH:	
CREST: MODEL 3000/3001/4000 4001 POWER AMPLIFIERS METER ARRAY P.C.B. ASSEMBLY DWG.	
DWG No.: 2202370	REV: 02
SCALE: DO NOT SCALE DRAWING	



COMP. NOT INSTALLED BY  
OUTSIDE VENDOR

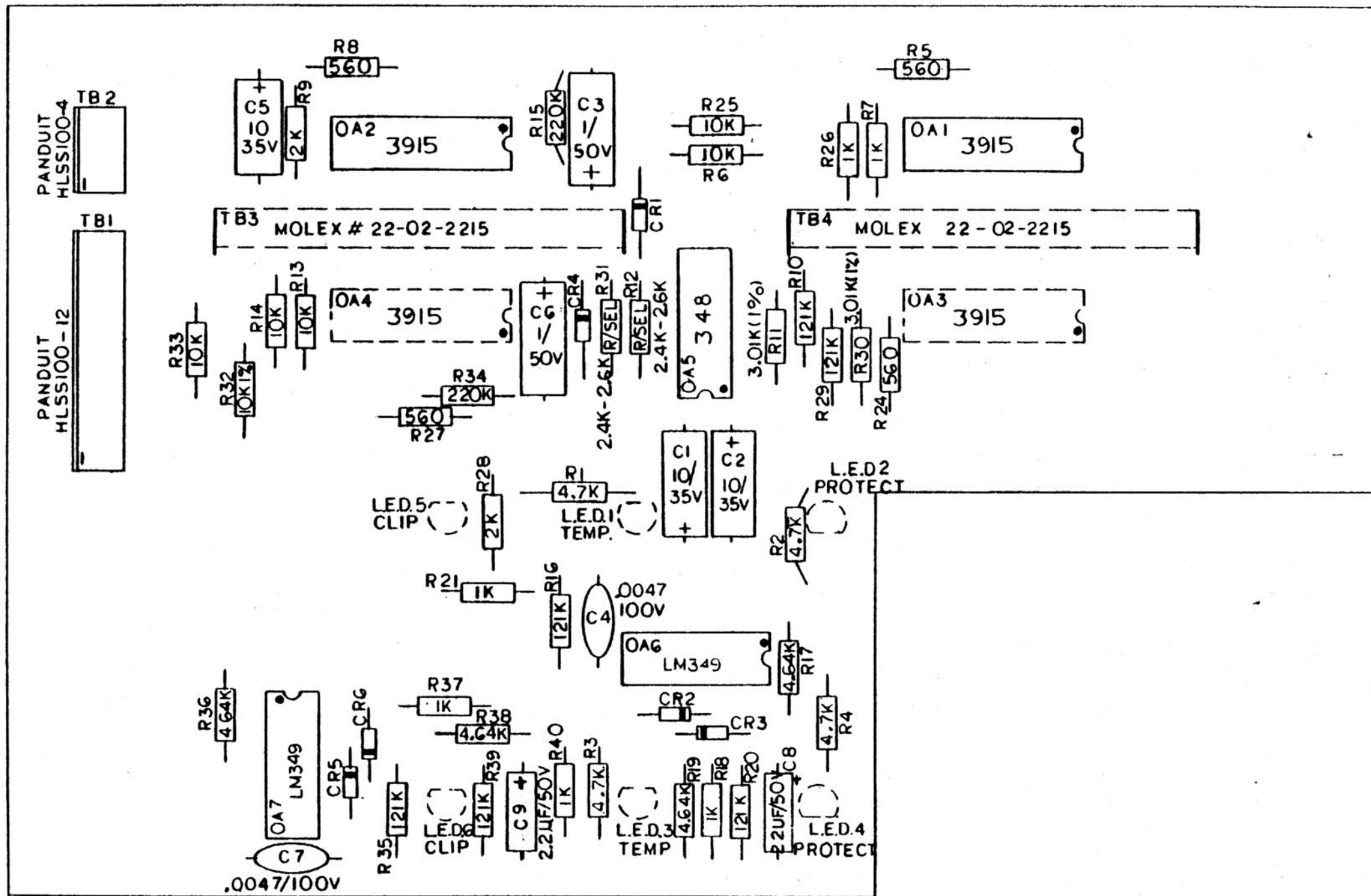
LAST REF DES	
USED	NOT USED
C8	
CR 6	CR3 CR5 <input checked="" type="checkbox"/>
LED 9	
OA 3	
R22	R6, 8, 9, 21, 22 <input checked="" type="checkbox"/>
TB2	

NOTES =  
 1) ALL RESISTORS 1/4W, UNLESS OTHERWISE SPECIFIED  
 2) ALL DIODES 4148, UNLESS OTHERWISE SPECIFIED  
 3) ALL CAPACITORS ELECTROLYTIC, UNLESS OTHERWISE SPECIFIED

REV	DESCRIPTION	DATE
01	R1-R14 FROM 1/4W TO 1/2W	10-26/83
02	SEE <del>NOT USED</del> . ADD C7, C8, R10, R23 FROM D.I.T. TO 300 R7 R20 FROM D.I.T. TO 121K	11/30/83
03	R1, R13, R14, R26 FROM 820 1/2W TO 1K 1W (C.F.) — R17, R4 FROM 242K TO 220K	12/6/83
04	REDESIGN P.C.B.	12/13/83
05	REVERSE POLARITY LED2, 6	4/24/84

DALLAS MUSIC INDUSTRIES HAWTHORNE, N.J. 07508			
OWN: E.C.	DATE: 7/29/83	CREST:	
APP: I.F.	DATE: 2/2/84	MODELS: 3001/4001 SERIES POWER AMPLIFIERS	
TOL: RES: ±.02 < ±1° FRAC: ±1/64	L.E.D. P.C. ASSEMBLY		
MATL:	DWG NO: 1007614		
FINISH	REV: 00		





COMP. NOT INSTALLED BY  
OUTSIDE VENDOR

LAST REF DES	
USED	NOT USED
C9	
CR6	
OA7	
L.E.D.6	
R40	R22, R23
TB4	

NOTES

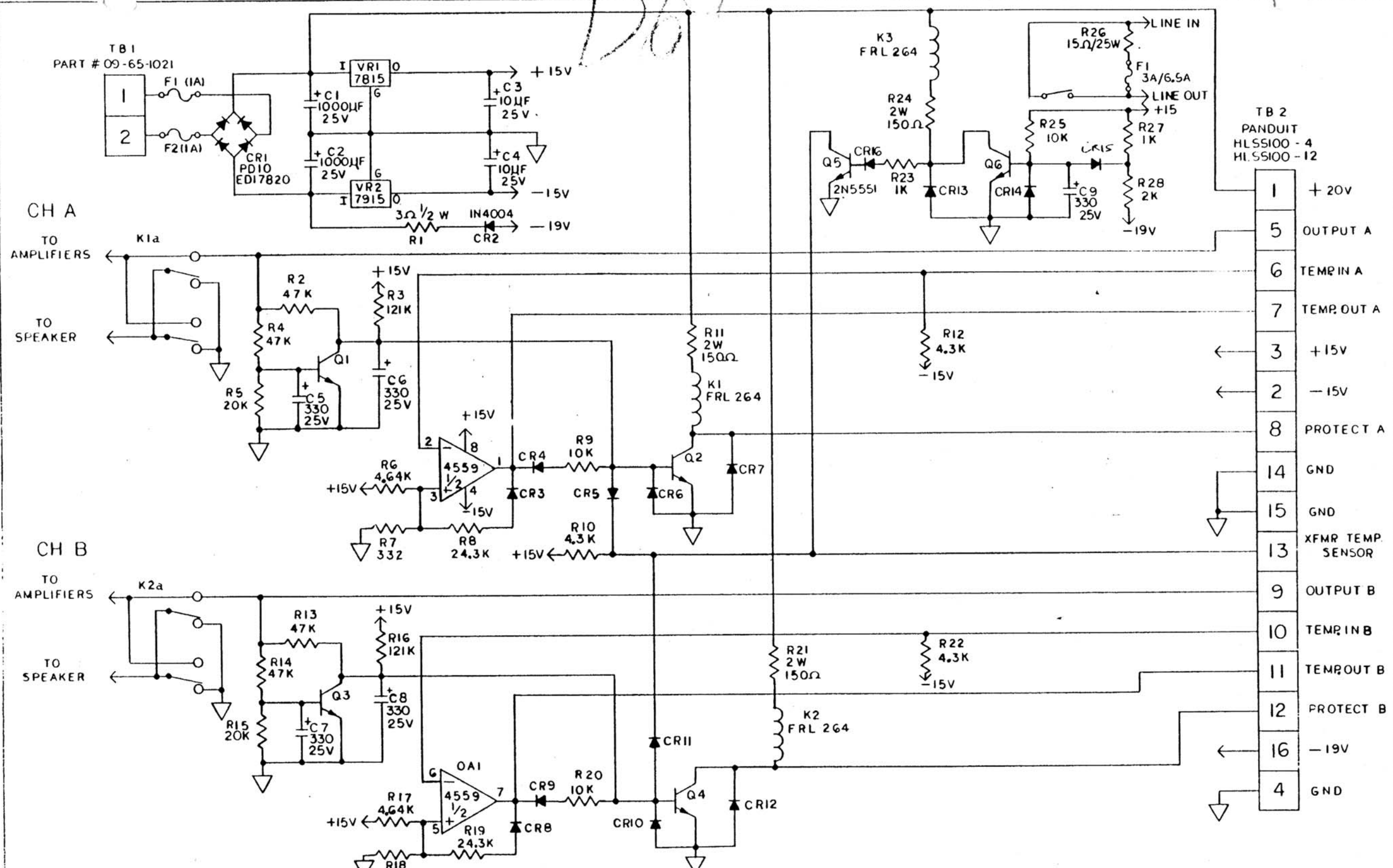
- 1) ALL RESISTORS  $\frac{1}{4}$  W UNLESS OTHERWISE SPECIFIED
- 2) ALL DIODES IN 4148 UNLESS OTHERWISE SPECIFIED
- 3) ALL 10K RESISTORS 1% UNLESS OTHERWISE SPECIFIED
- 4) REV 1, 2 SEE DWG 2204645-02 (OBSOLETE FILE)

REV	DESCRIPTION	DATE
03	REDESIGN P.C.B. & REDRAW DWG	12/28/83
04	REVERSE POLARITY LED 2, 4 R1, 2, 3, 4 - 1K TO 4.7K	4/24/84

**DALLAS MUSIC INDUSTRIES**  
HAWTHORNE, N.J. 07506

DWN: E.C.	DATE: 12/28/83	CREST: MODELS: 4000/3000 SERIES POWER AMPLIFIERS MAIN METER P.C.B. ASSEMBLY
APP: I.F.	DATE: 2/2/84	
TOL: RES: 1.02 ± 1% FRAC: 2.01 ± 1/64		
FINISH		

DWG NO: 2203645      REV: 04



COMP NOT INSTALLED BY  
OUTSIDE VENDOR

LAST REF. DES	
USED	NOT USED
C9	
CR16	
K3	
OA1	
Q6	
R28	
TB2	

NOTES

- 1) ALL RESISTOR 1/4 W, 1% UNLESS OTHERWISE SPECIFIED
- 2) ALL DIODES IN 414B UNLESS OTHERWISE SPECIFIED
- 3) ALL TRANSISTORS MPSA13 UNLESS OTHERWISE SPECIFIED
- 4) REV-00, SEE DWG # 2104677-00(OBSOLETE FILE)

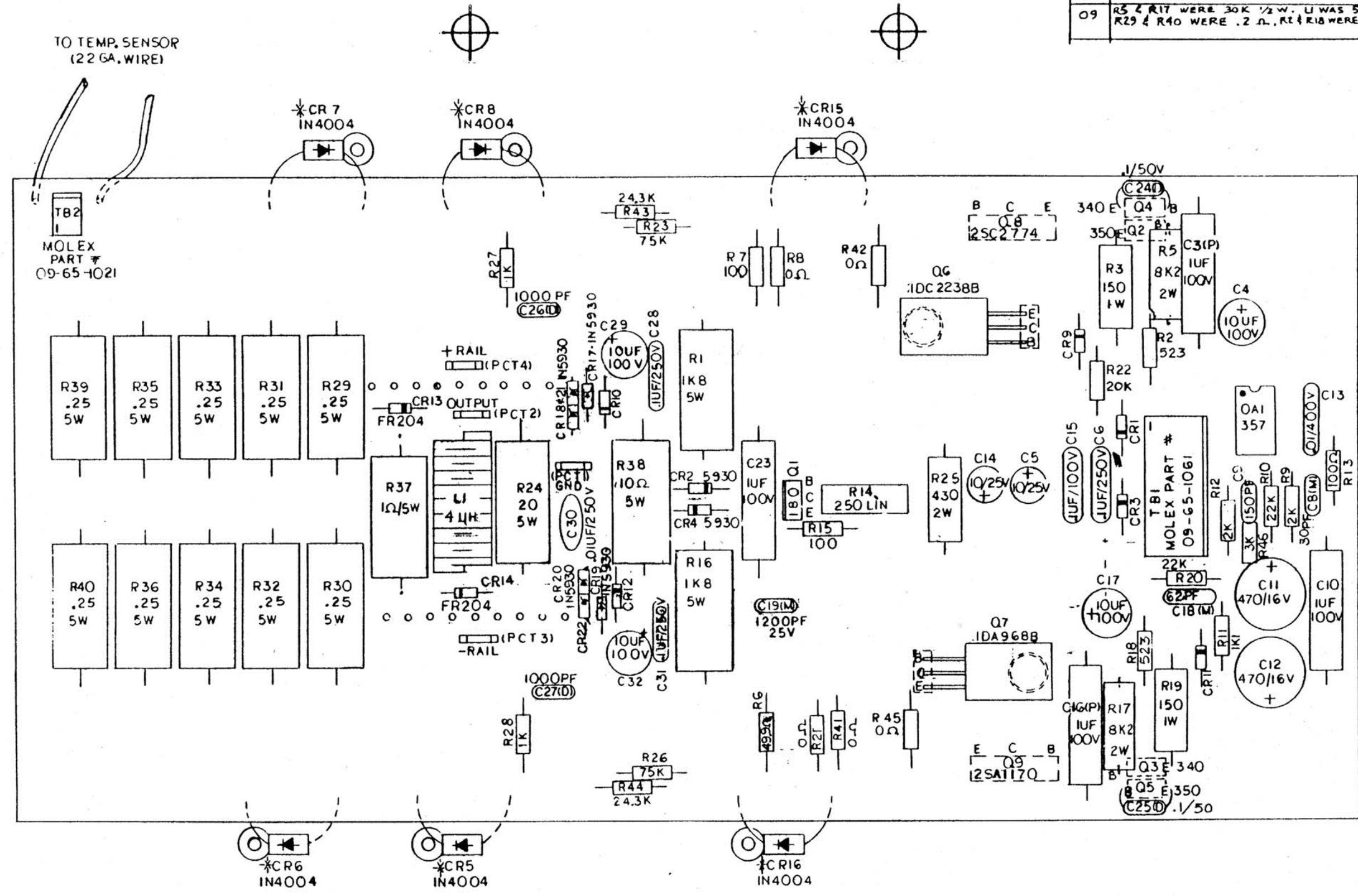
REV	DESCRIPTION	DATE
01	REDESIGN P.C.B.	3/13/84
02	CHANGE RB, R19 FROM 20K TO 24.3K	3/23/84

**DALLAS MUSIC INDUSTRIES**  
HAWTHORNE, N.J. 07508

DWN: E.C	DATE: 3/13/84	<b>CREST:</b> MODELS 4000/4001/3000/3001 POWER AMPLIFIERS RELAY/PROTECT P.C.B. SCHEMATIC DWG
APP:	DATE:	
TOL: ± 0.2 < ± 1° ± 0.1 FRACT 2/64		
FINISH:	DWG N.:	

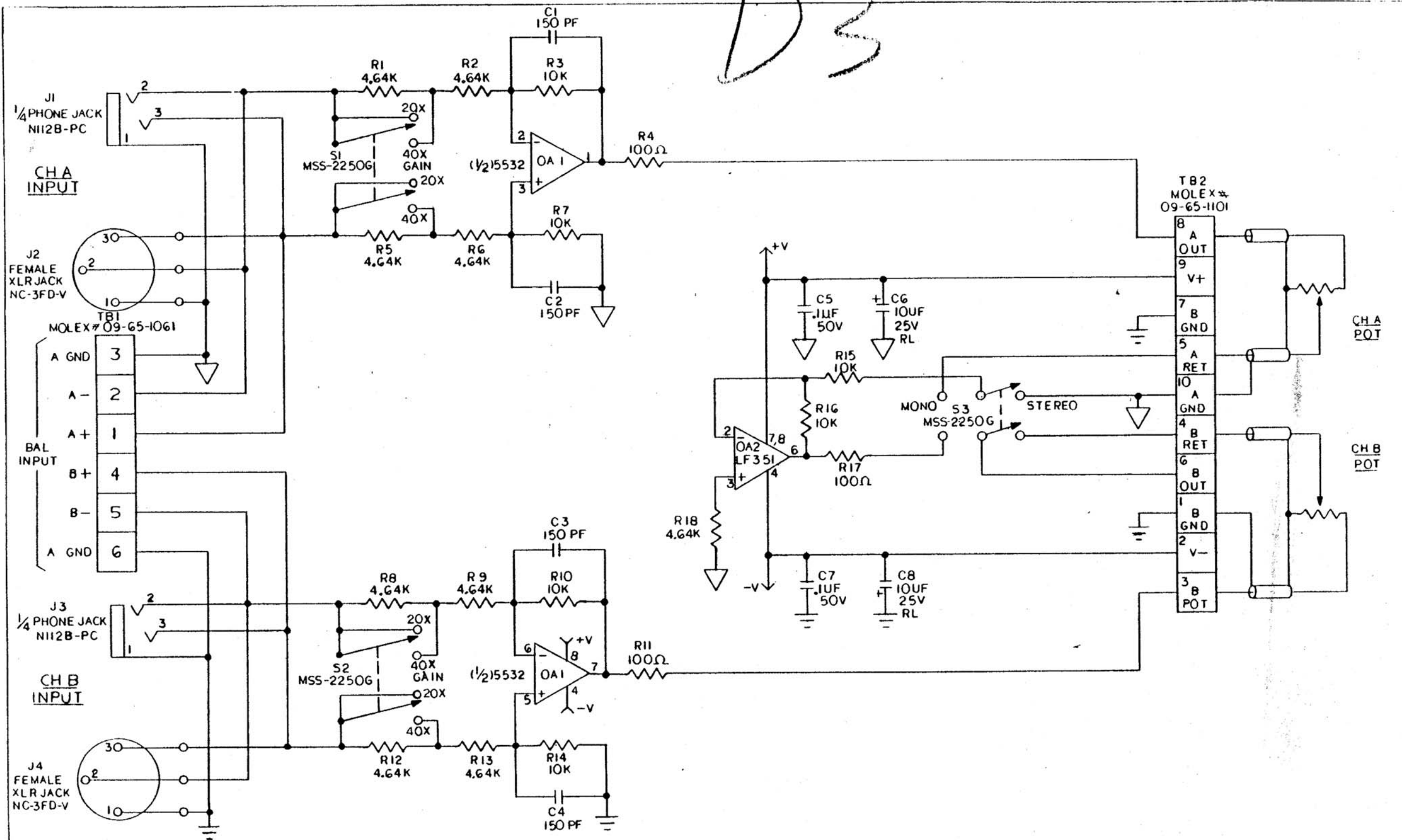
2103677      REV. 02

REV	DESCRIPTION	DATE
09	R5 & R17 WERE 30K 1/2 W. L1 WAS 5μH R29 & R40 WERE .2 Ω, R1 & R18 WERE 2K	12/1/85



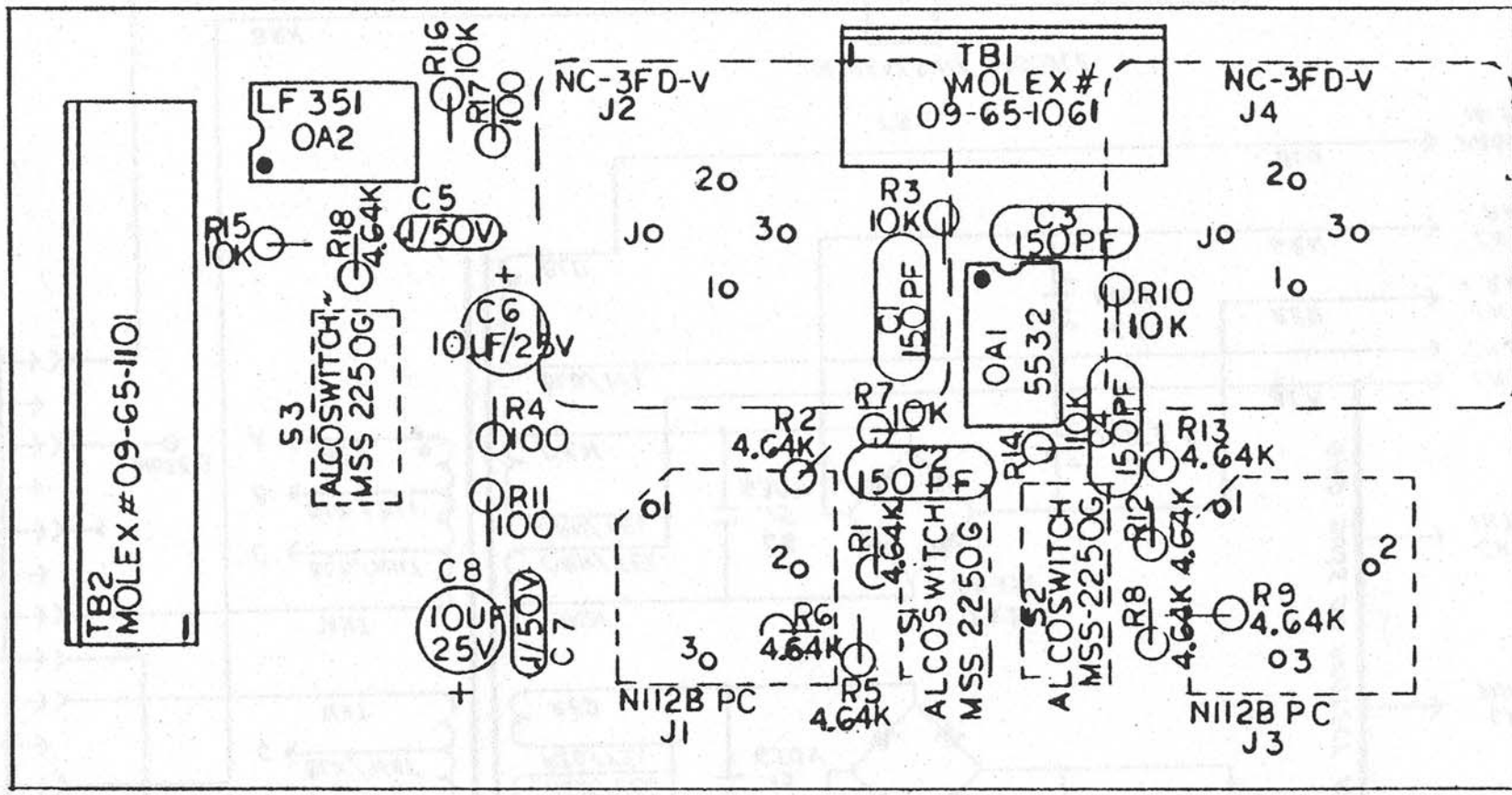
COMP NOT INSTALLED BY OUTSIDE VENDOR	LAST REV DES		NOTES	REV	DESCRIPTION	DATE	DALLAS MUSIC INDUSTRIES HAWTHORNE, N.J. 07506	
	USED	NOT USED					DWN: E.C. 9/8/84	CREST
CR 5, 6, 7, 8, 15, 16	C 32	CI, 2, 20, 21, 22,	1) ALL RESISTORS 1/4 W, 1% UNLESS OTHERWISE SPECIFIED 2) CAPACITORS = (D) DISC, (M) MICA, (P) POLY. 3) * - PARTS ON HEATSINK 4) ALL DIODES IN4148 UNLESS OTHERWISE SPECIFIED 5) REV 1, 2, 3, 4, 5, SEE DWG # 2104643-05 (OBSOLETE FILE) 6) Q6 & Q7 ATTACH WITH PEM NUT # KFS2	06	REDESIGN P.C.B. & REDRAW DWG TO "C" SIZE	1/6/83	APP: I.F. DATE: 6/2/84	MODELS: 3000/3001 SERIES POWER AMPLIFIERS
C 2, 3, 4, 5, 6, 7, 8, 9	CR 20			07	ADD RESISTORS # 42, 45 5Ω ADD RESISTORS # 43, 44 (24.3K) ADD DIODES # 17, 19 (1N5930) ADD DIODES # 18, 20 (1N1786) REMOVE CAP # 22 (1000 PF) (D) CHANGE R13 FROM 3KΩ TO 100Ω CHANGE R25 FROM 430Ω 2W TO 200Ω 2W CHANGE C8 FROM 30 PF TO 62PF CHANGE R27, 28 FROM 100 TO 1K CHANGE R23, 26 FROM 6K8 TO 75K	2/15/84		HEATSINK P.C.B. ASSEMBLY DWG.
TB 2	L1			08	CB-30, CR18, 20-1N5930, R10-450, ADD CR21, 22, R44	4/25/84		
	OAI							
	Q19							
	R45							
	TB 3							
							DWG NO: 22	AT 09
							SCALE: 2:1	NOT SCALE DRAWING





COMP NOT INSTALLED BY OUTSIDE VENDOR	LAST REF DES		NOTES	REV	DESCRIPTION	DATE	DALLAS MUSIC INDUSTRIES HAWTHORNE, N.J. 07508	
	USED	NOT USED					DWN E.C.	DATE
J2, J4 S1, S2, S3	C8		ALL RESISTOR 1/4W AND 1% UNLESS OTHERWISE SPECIFIED	01	REDESIGN & REDRAW	11/17/83	APP. I.J.F.	DATE 1/5/84
	J4						TOL. ± 0.2% < ± 1% ± 0.1% FRACT ± 1/64	CREST
	OA2						MATL	MODELS: 3000/3001/4000/4001 POWER AMPLIFIERS
	R18						FINISH	INPUT P.C.B.
	S3						DWG N°	SCHEMATIC DWG
	TB2						2103641	REV 01
							SCALE	DO NOT SCALE DRAWING

NOTES ALL RESISTOR 1/4 W -  
AND 1% UNLESS OTHERWISE  
SPECIFIED.

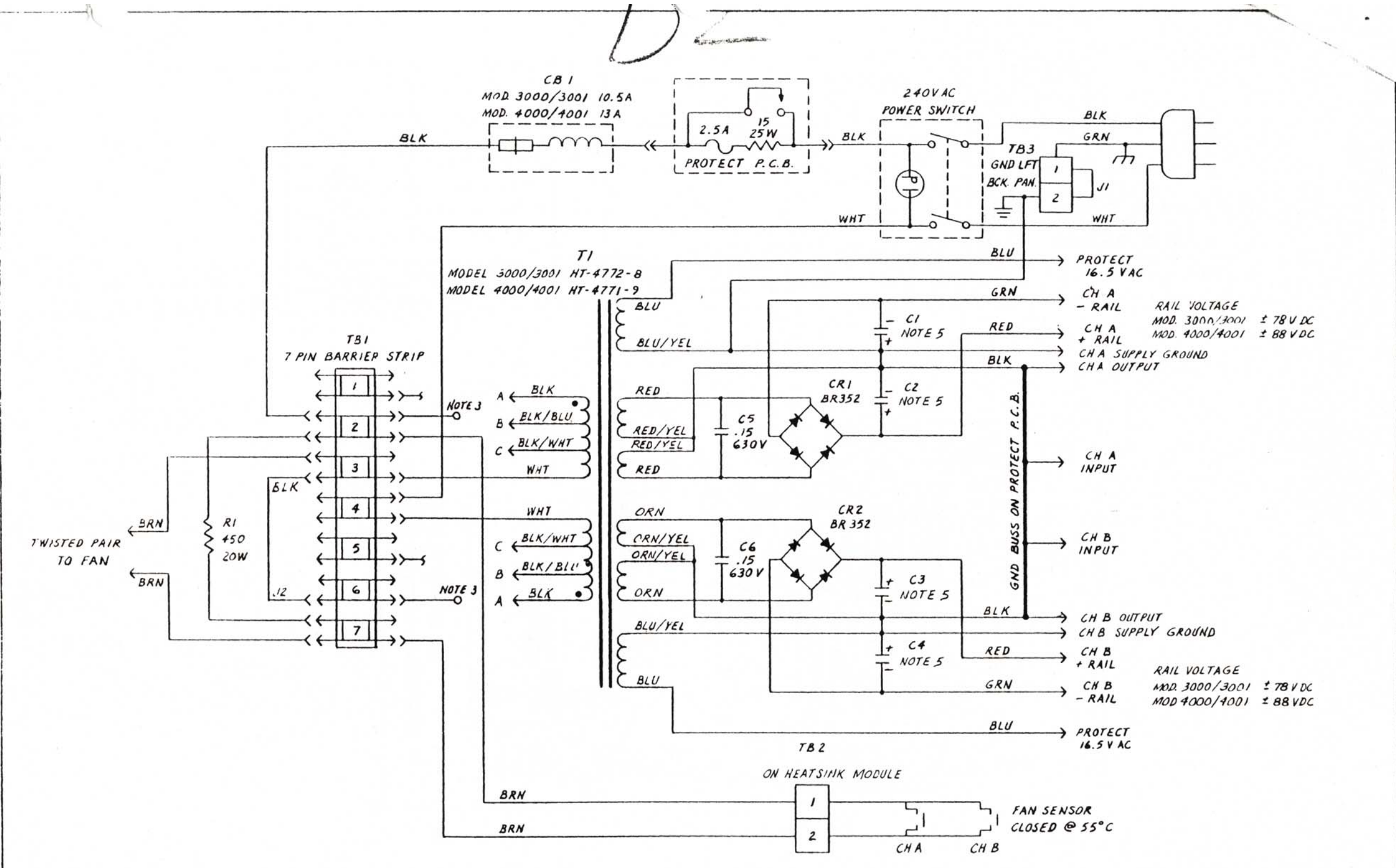


COMP. NOT INSTALLED BY  
OUTSIDE VENDOR

J2, J4,		
---------	--	--

LAST REF DES		REV	DESCRIPTION	DATE
USED	NOT USED	01	REDESIGN & REDRAW	11/11/83
C8				
J4				
OA2				
R18				
S3				
TB2				

DALLAS MUSIC INDUSTRIES HAWTHORNE, N.J. 07506		
DWN.: E.C.	11/11/83	CREST MODELS: 4000/4001/3000/3001 POWER AMPLIFIERS INPUT P.C.B. ASSEMBLY DWG.
APP: I.F.	DATE: 2/2/84	
TOL: XX: ±.02    <: ±1° XXX: ±.01    FRACT: ±1/64		
MATL.:		
FINISH:		
DWG. No.: 2202641		REV: 01
SCALE: 2:1		DO NOT SCALE DRAWING



COMP. NOT INSTALLED BY OUTSIDE VENDOR	LAST REF DES.		NOTES	REV	DESCRIPTION	DATE
	USED	NOT USED				
	C6		1. J = JUMPER 2. FAN SENSOR LOCATED ON HEATSINK MODULE 3. XFMR TAB A = 240V B = 220V C = 200V 4. UNUSED XFMR TAB PER WINDING GOES TO TB1 PINS 1 & 5 5. MODELS 3000/3001 C1,C2,C3,C4 15000 80V MODELS 4000/4001 C1,C2,C3,C4 20000 90V			
	CB1					
	CR2					
	R1					
	S1					
	T1					
	TB3					

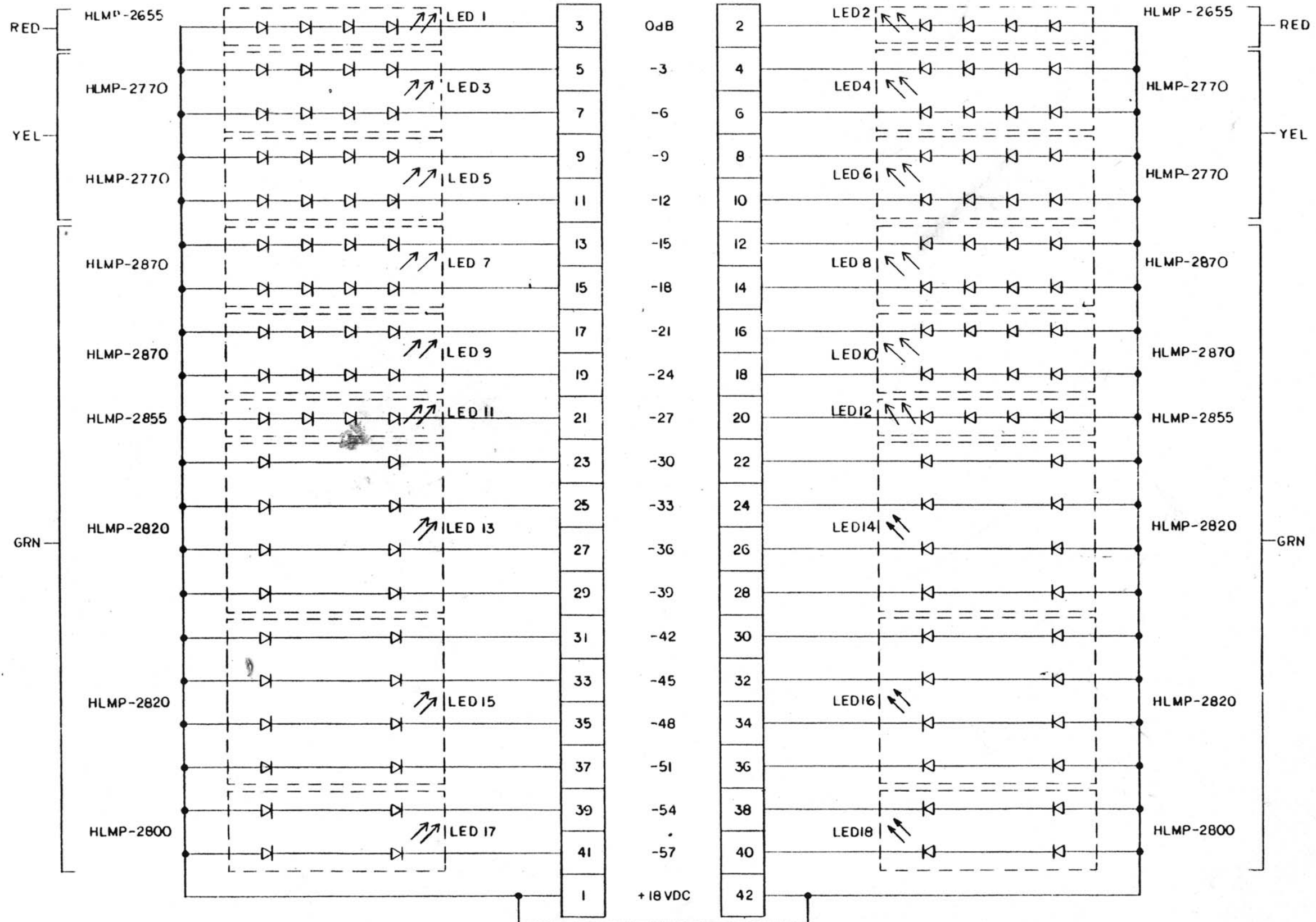
**CREST AUDIO**  
HAWTHORNE N.J. 07506

OWN: E.N. DATE: 9/23/85  
 APP: I.F. DATE: 10/18/85  
 TOL: ± 0.2% < 21°  
 \*\*\* 2 01 FRACT 2 1/64

CREST  
 MODELS 3000/3001/4000/4001  
 SERIES POWER AMPLIFIERS  
 VOLTAGE CONVERSION AND  
 POWER SUPPLY  
 200V - 240V  
 SCHEMATIC DWG

FINISH: DWG NO: 2103797 REV:

CH A



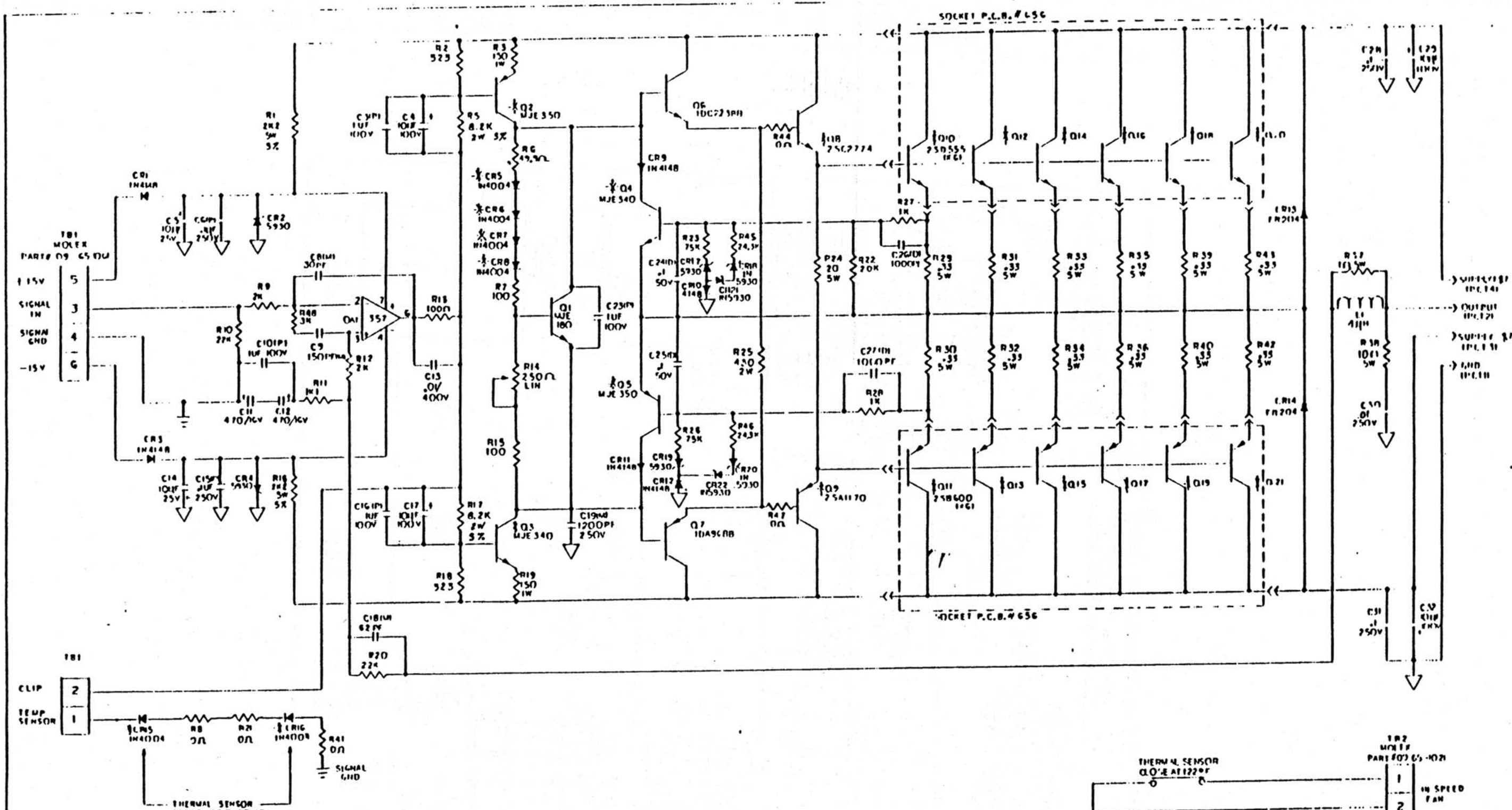
NOTES:

- 1) TB1 TERMINALS 1-21 & TB2 TERMINALS 22-42.

REV	DESCRIPTION	DATE
01	REDESIGN P.C.B.	2/8/82
02	REDESIGN P.C.B.	2/6/84



DWN	E.C.	DATE: 2/6/84	CREST MODEL 3000/300/4000/ 4001 POWER AMPLIFIERS METER ARRAY P.C.B. SCHEMATIC DWG.
APP	I.F.	DATE: 2/6/84	
TOL. ± 0.2 < ± 1° ± 0.01 FRACT ± 1/64			DWG. NO. 2103379
MATERIALS			
FINISH			REV: 02
SCALE			DO NOT SCALE DRAWING



SECRET P.C.B. # 456

SECRET P.C.B. # 656

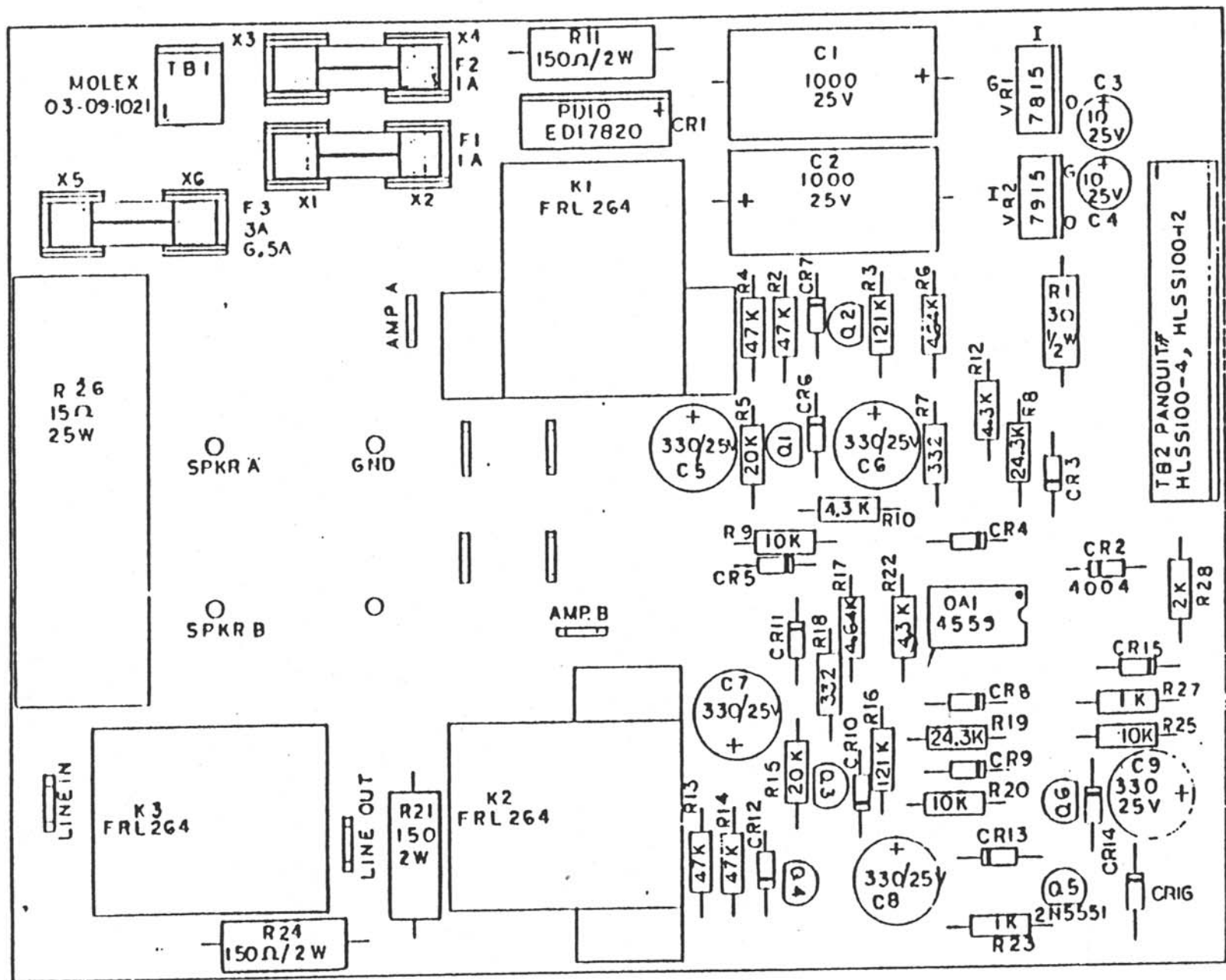
THERMAL SENSOR  
CLOSE AT 122°F

TBI  
PART # 09 65-1021  
1 IN SPEED  
2 FAN

REV	DESCRIPTION	DATE	COMP. NOT INSTALLED BY	LAST REF DES.	NOTES	REV	DESCRIPTION	DATE
09	R29-R43 WERE .25W L1 WAS 5-H R14 R15 WERE 100 R24 R25 WERE 2K	11/27/85	OUTSIDE VENDOR CR5, C7, R15, 16 Q2, 3, 4, 5, 6, 7, 8, 9 T82	USED C32 CR22 L1 Q1 C21 R50 T82	NOT USED C17, F20, R12	06	REDESIGN P.C.B.	1/11/84
					ALL RESISTORS 1/4W, 1% UNLESS OTHERWISE SPECIFIED 2W CAPACITOR: 10% TOL, 50VDC, 50% REL. HUMIDITY, 100% PARTS ON HEATSINK ALSO SEE P.C.B. # 156 PIN MOLDER 100 CC-1021 Q1, Q21 2 TO 06-40W Q1, Q11 SIREV 1, 2, 3, 4, 5 SEE DWG # N:4643-05 10/28/85 ETE FILE	07	ADD RESISTOR R44 4715 OHM ADD RESISTOR R45 46124.3 OHM ALL DIMENSIONS IN INCHES UNLESS OTHERWISE SPECIFIED REMOVE CAP 222 100V P11 CHANGE R15 FROM 300 TO 100 OHM CHANGE R25 FROM 430 TO 2W 1% 2075L 2W CHANGE C18 FROM 100 TO 62PF CHANGE R22 FROM 100 TO 10K CHANGE R23, 26 FROM 600 TO 750 CHANGE R25 FROM 20 TO 10 OHM 5% R25 200 TO 45 OHM 1% 2075L 448	7/13/84

DALLAS MUSIC INDUSTRIES			
REV. C.	7/11/84	DESIGN	
PROJECT: MOTOR/COOL SERIES		HEATSINK P.C.B.	
SCHEMATIC DWG.		DATE	11/27/85
DRAWN: 2109/82		CHECKED:	
SCALE: 100% NOT SCALE DRAWING			





COMP NOT INSTALLED BY  
OUTSIDE VENDOR

LAST REF DES.	
USED	NOT USED
C 9	
CRIG	
K 3	
OAI	
Q 6	
R 28	

**NOTES**

- 1) ALL RESISTORS 1/4W, 1% UNLESS OTHERWISE SPECIFIED
- 2) ALL DIODES IN4148 UNLESS OTHERWISE SPECIFIED
- 3) ALL TRANSISTORS MPSA13 UNLESS OTHERWISE SPECIFIED
- 4) X1-X6 KEYSTONE # 3529

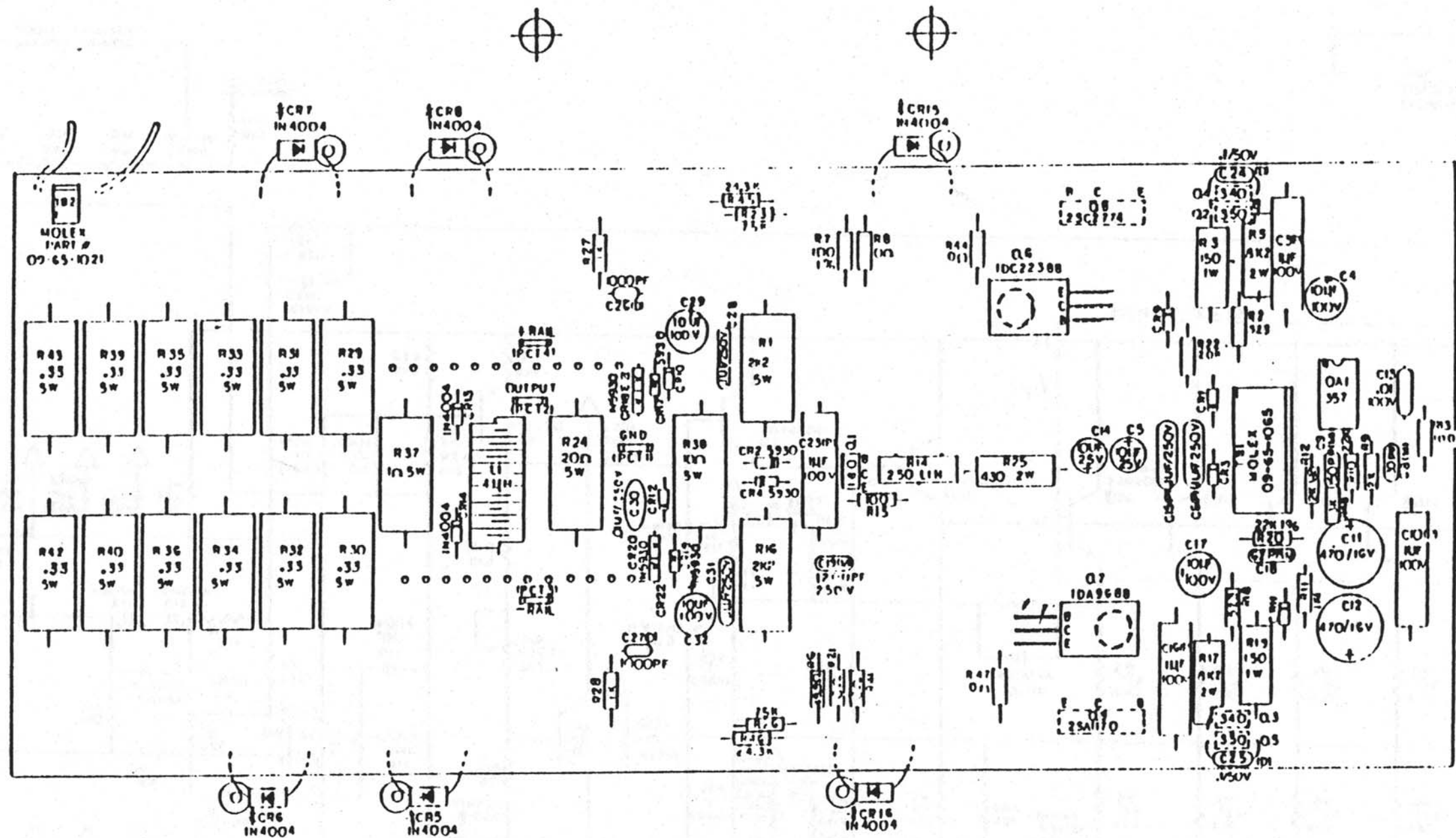
REV	DESCRIPTION	DATE
01	REDESIGN P.C.B.	3/13/84
02	CHANGE R8, R19 FROM 20K TO 24.3K	3/23/84
03	R25 FROM 75K TO 24.3K TO 10K	5/31/84

**DALLAS MUSIC INDUSTRIES**  
HAWTHORNE, N.J. 07508

OWN: E.C. DATE: 3/13/84  
APP: I.F. DATE: 6/22/84  
TOL: ± .05 ± .01  
FRACT: 2/100

CREST:  
MODELS: 4000/1001/3000/3001  
POWER AMPLIFIERS  
RELAY /PROJECT P.C.B.  
ASSY DIG

DWG NO: 2203677



REV	DESCRIPTION	DATE	COMP. NOT INSTALLED BY
09	R7 & R17 WERE 30K 1/4W LI WAS 5W R19 - R42 WERE .25A, RE & R18 WERE 2W	12/1/83	OUTSIDE VENDOR

LAST REF DES.	NOTES
USED	ALL RESISTORS 1/2W 1% UNLESS OTHERWISE SPECIFIED
NOT USED	2 CAPACITORS: 10 DISC, 10 MIC, 10 POLY
	3 1/2 PARTS ON HEAT SINK
	ALL NODES W/141R UNLESS OTHERWISE SPECIFIED
	SI REV. 1, 2, 3, 4, 5 SEE DWG # 2104647-05
	IC OBSOLETE FILE
	GI GGGCQY ATTACH WITH PEM NLT #FS2-632

REV	DESCRIPTION	DATE
06	REDESIGN P.C.B.	1/17/84
07	ADD RESISTOR R45, R46, R47, R48 ADD DIODES R17, R18, R19, R20 ADD DIODES R21, R22, R23, R24 REMOVE CAP. C22, C23, C24 CHANGE R25 FROM 300 OHM TO 100 OHM CHANGE R25 FROM 450 OHM 2W TO 200 OHM 2W CHANGE C21 FROM 50PF TO 62PF CHANGE R27, R28 FROM 100 OHM TO 150 OHM CHANGE R23, R24 FROM 100 OHM TO 150 OHM	2/7/84
08	R8 TO 30K 1/2W TO 4.5W R25 TO 450 OHM 2W TO 1W	2/7/84

REV	DESCRIPTION	DATE
06	REDESIGN P.C.B.	1/17/84
07	ADD RESISTOR R45, R46, R47, R48 ADD DIODES R17, R18, R19, R20 ADD DIODES R21, R22, R23, R24 REMOVE CAP. C22, C23, C24 CHANGE R25 FROM 300 OHM TO 100 OHM CHANGE R25 FROM 450 OHM 2W TO 200 OHM 2W CHANGE C21 FROM 50PF TO 62PF CHANGE R27, R28 FROM 100 OHM TO 150 OHM CHANGE R23, R24 FROM 100 OHM TO 150 OHM	2/7/84
08	R8 TO 30K 1/2W TO 4.5W R25 TO 450 OHM 2W TO 1W	2/7/84

REV	DESCRIPTION	DATE
06	REDESIGN P.C.B.	1/17/84
07	ADD RESISTOR R45, R46, R47, R48 ADD DIODES R17, R18, R19, R20 ADD DIODES R21, R22, R23, R24 REMOVE CAP. C22, C23, C24 CHANGE R25 FROM 300 OHM TO 100 OHM CHANGE R25 FROM 450 OHM 2W TO 200 OHM 2W CHANGE C21 FROM 50PF TO 62PF CHANGE R27, R28 FROM 100 OHM TO 150 OHM CHANGE R23, R24 FROM 100 OHM TO 150 OHM	2/7/84
08	R8 TO 30K 1/2W TO 4.5W R25 TO 450 OHM 2W TO 1W	2/7/84

DALLAS MUSIC INDUSTRIES			
MULTIMEDIA # 1 0988			
DESIGNED BY	E.C.	1/17/84	CREST
DRAWN BY	J.F.	2/22/84	MODELS: 1000/1001, 1011/1012
CHECKED BY			HEAT SINK P.C.B.
DATE			ASSEMBLY DWG.
SCALE	1:1		270862
			09