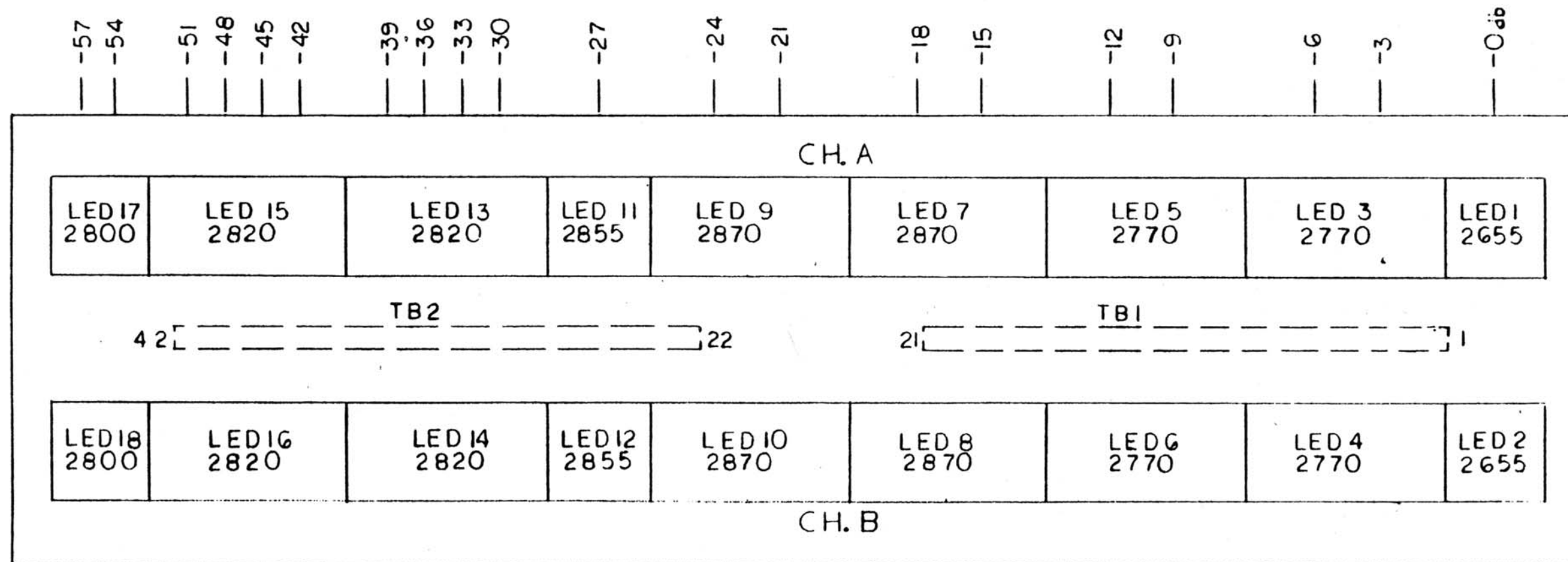


COMP. NOT INSTALLED BY OUTSIDE VENDOR	LAST REF. DES.		NOTES	REV.	DESCRIPTION	DATE
	USED	NOT USED				
			1. J = JUMPER			
			2. FAN SENSOR LOCATED ON HEATSINK MODULE			
			3. SEE INSET FOR 100V TB1/T1 CONNECTIONS 110V AND 120V XFMR TAB A = 120V B = 110V			
			4. UNUSED XFMR TAB PER WINDING GOES TO TB1 PINS 1 & 5			
			5. MODELS 3000/3001 C1,C2,C3,C4 15000 80V MODELS 4000/4001 C1,C2,C3,C4 20000 90V			
	C6					
	CB1					
	CR2					
	R1					
	S1					
	T1					
	TB3					

CREST AUDIO HAWTHORNE, N.J. 07506	
DWN: E.H.	DATE: 9/24/85
APP: J.E.	DATE: 11/18/85
TOL: ±.02 < ±.1°	***.01 FRACT. 2/104
MATL:	
FINISH:	
DWG NO: 2103796	REV:
SCALE — DO NOT SCALE DRAWING	

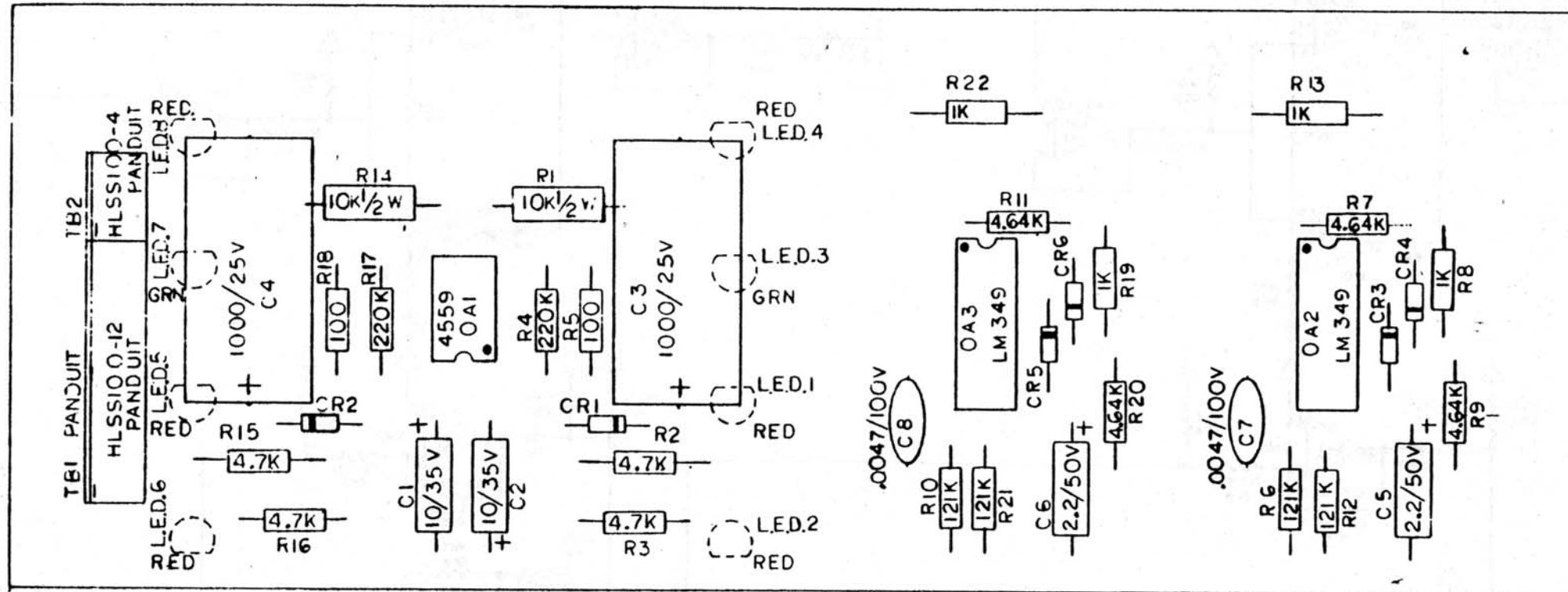


NOTES

- 1) COMPONENT SIDE UP
- 2) RED = LED 1-2
YEL = LED 3-6
GRN = LED 7-18
- 3) TBI & 2 MOUNT ON SOLDER SIDE

REV	DESCRIPTION	DATE
02	REDESIGN & REDRAW	10/26/83

CREST AUDIO	
HAWTHORNE, N.J. 07506	
DWN: E.C.	DATE: 10/26/83
APP: I.F.	DATE: 2/6/84
TOL: XX: ±.02 Z: ±1° XXX: ±.01 FRACT: ±1/64	
MATL:	
FINISH:	
CREST: MODEL 3000/3001/4000 4001 POWER AMPLIFIERS METER ARRAY P.C.B. ASSEMBLY DWG.	
DWG. No.: 2202370	REV.: 02
SCALE: DO NOT SCALE DRAWING	



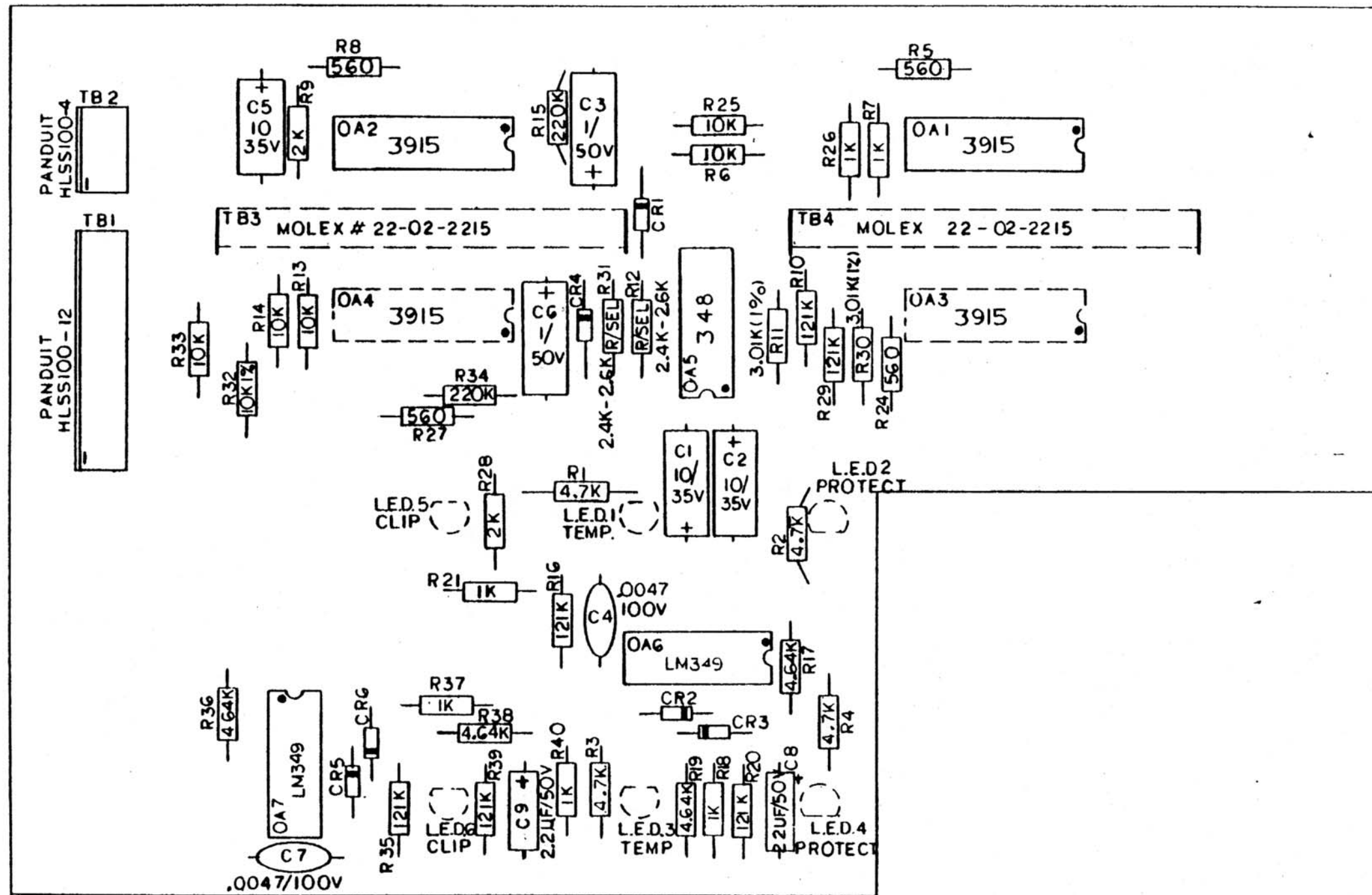
COMP. NOT INSTALLED BY
OUTSIDE VENDOR

LAST REF DES	
USED	NOT USED
C8	
CR 6	CR3 CR5 <input checked="" type="checkbox"/>
LED 9	
OA 3	
R22	R6, 8, 9, 21, 22 <input checked="" type="checkbox"/>
T B2	

NOTES =
 1) ALL RESISTORS 1/4W, UNLESS OTHERWISE SPECIFIED
 2) ALL DIODES 4148, UNLESS OTHERWISE SPECIFIED
 3) ALL CAPACITORS ELECTROLYTIC, UNLESS OTHERWISE SPECIFIED

REV	DESCRIPTION	DATE
01	R1-R14 FROM 1/4W TO 1/2W	10-26/83
02	SEE NOT USED . ADD C7, C8, R10, R23 FROM D.I.T. TO 300 R7 R20 FROM D.I.T. TO 121K	11/30/83
03	R1, R13, R14, R26 FROM 820 1/2W TO 1K 1W (C.F.) — R17, R4 FROM 242K TO 220K	12/6/83
04	REDESIGN P.C.B.	12/13/83
05	REVERSE POLARITY LED2, 6	4/24/84

DALLAS MUSIC INDUSTRIES HAWTHORNE, N.J. 07508			
OWN: E.C.	DATE: 7/29/83	CREST:	
APP: I.F.	DATE: 2/2/84	MODELS: 3001/4001 SERIES POWER AMPLIFIERS	
TOL: ±.02	±.1°	L.E.D. P.C.	
FRAC: ±1/64		ASSEMBLY	
MATL:		DWG N°	REV



COMP. NOT INSTALLED BY
OUTSIDE VENDOR

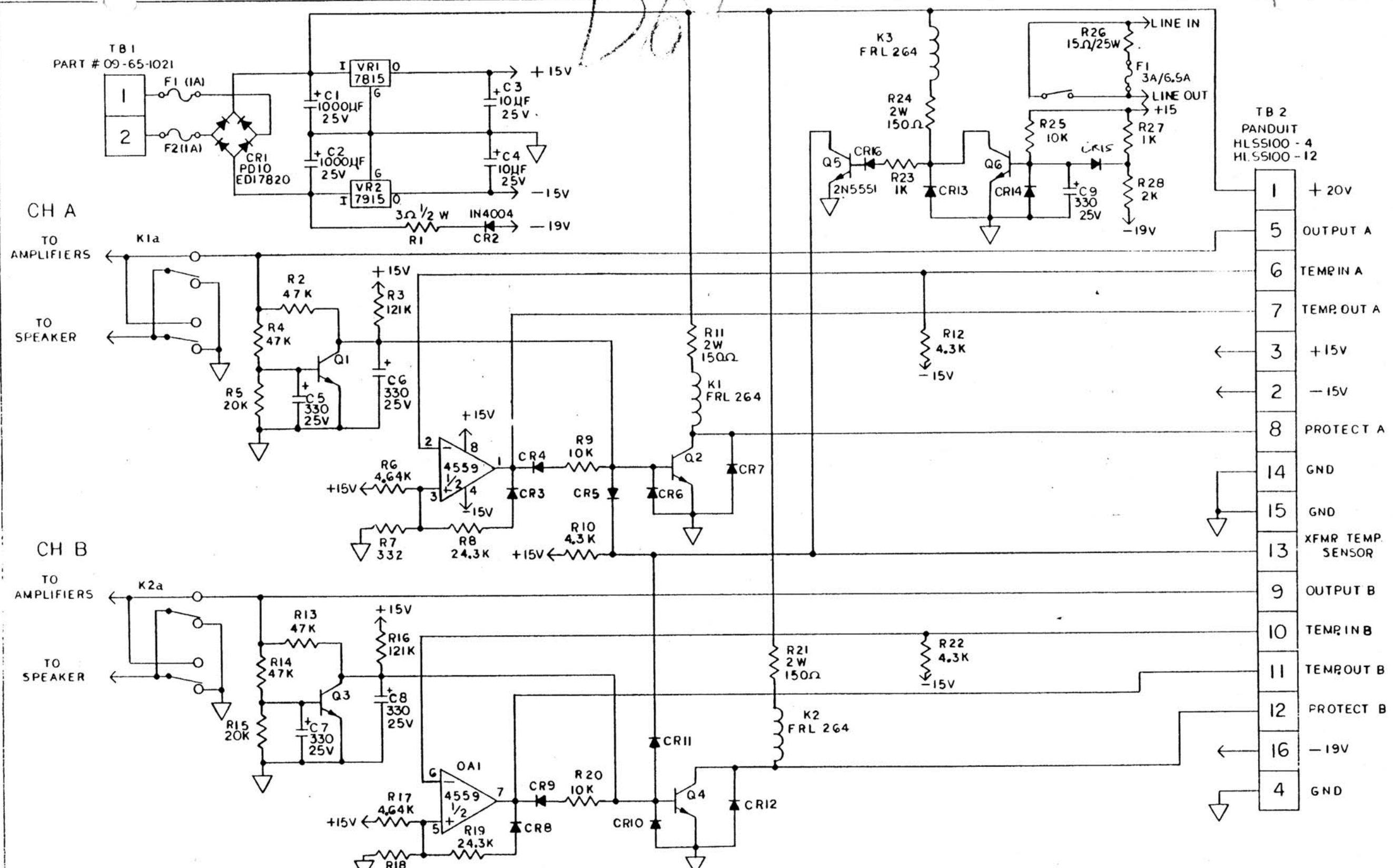
LAST REF DES	
USED	NOT USED
C9	
CR6	
OA7	
L.E.D.6	
R40	R22, R23
TB4	

NOTES

- 1) ALL RESISTORS $\frac{1}{4}$ W UNLESS OTHERWISE SPECIFIED
- 2) ALL DIODES IN 4148 UNLESS OTHERWISE SPECIFIED
- 3) ALL 10K RESISTORS 1% UNLESS OTHERWISE SPECIFIED
- 4) REV 1, 2 SEE DWG 2204645-02 (OBSOLETE FILE)

REV	DESCRIPTION	DATE
03	REDESIGN P.C.B. & REDRAW DWG	12/28/83
04	REVERSE POLARITY LED 2, 4 R1, 2, 3, 4 - 1K TO 4.7K	4/24/84

DALLAS MUSIC INDUSTRIES HAWTHORNE, N.J. 07506			
DWN: E.C.	DATE: 12/28/83	CREST:	
APP: I.F.	DATE: 2/2/84	MODELS: 4000/3000 SERIES POWER AMPLIFIERS	
TOL: ± 0.02 < ± 1° ± 0.01 FRACT ± 1/64		MAIN METER P.C.B.	
MATERIAL:		ASSEMBLY	
FINISH	DWG NO. 2203645	REV 04	



COMP NOT INSTALLED BY
OUTSIDE VENDOR

LAST REF. DES	
USED	NOT USED
C9	
CR16	
K3	
OA1	
Q6	
R28	
TB2	

NOTES

- 1) ALL RESISTOR 1/4 W, 1% UNLESS OTHERWISE SPECIFIED
- 2) ALL DIODES IN 414B UNLESS OTHERWISE SPECIFIED
- 3) ALL TRANSISTORS MPSA13 UNLESS OTHERWISE SPECIFIED
- 4) REV-00, SEE DWG # 2104677-00(OBSOLETE FILE)

REV	DESCRIPTION	DATE
01	REDESIGN P.C.B.	3/13/84
02	CHANGE RB, R19 FROM 20K TO 24.3K	3/23/84

DALLAS MUSIC INDUSTRIES
HAWTHORNE, N.J. 07508

DWN: E.C. DATE: 3/13/84

APP: DATE:

TOL: ± 0.2 < ± 1°
± 0.1 FRACT 2/1/84

MATL:

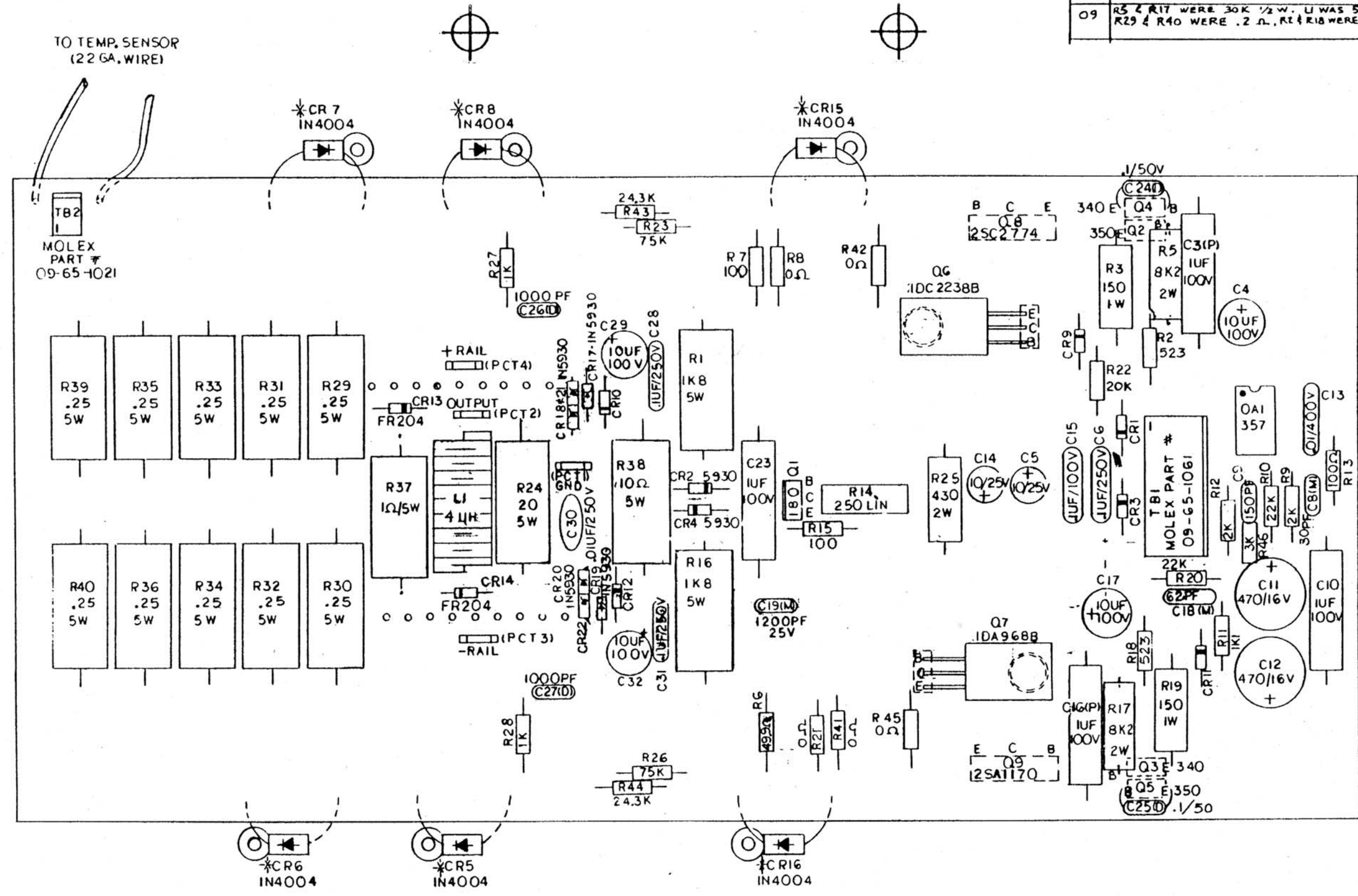
FINISH

CREST:
MODELS 4000/4001/3000/3001
POWER AMPLIFIERS
RELAY/PROTECT P.C.B.

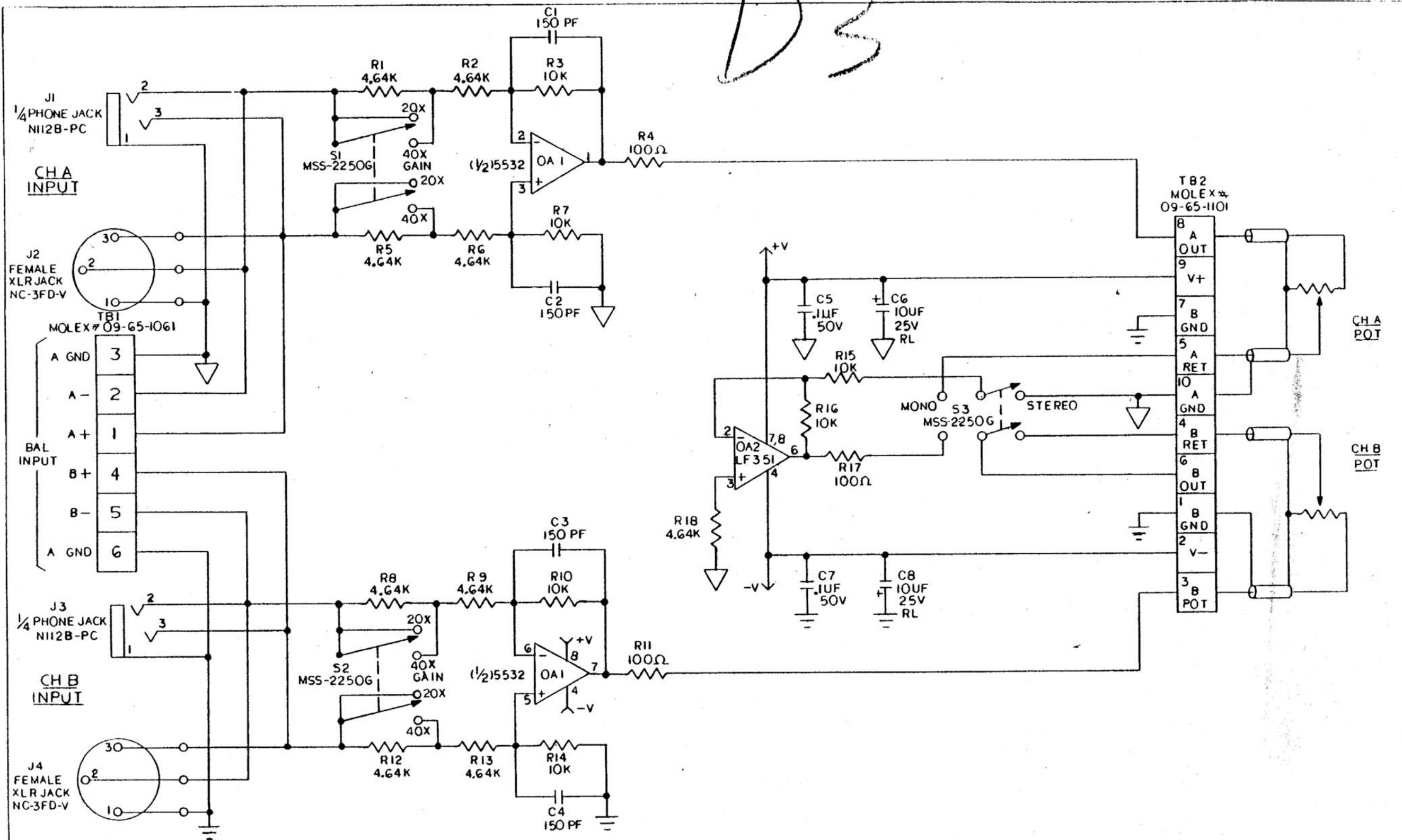
SCHEMATIC DWG

DWG N: 2103677 REV: 02

REV	DESCRIPTION	DATE
09	R5 & R17 WERE 30K 1/2 W. L1 WAS 5μH R29 & R40 WERE .2 Ω, R1 & R18 WERE 2K	12/1/85

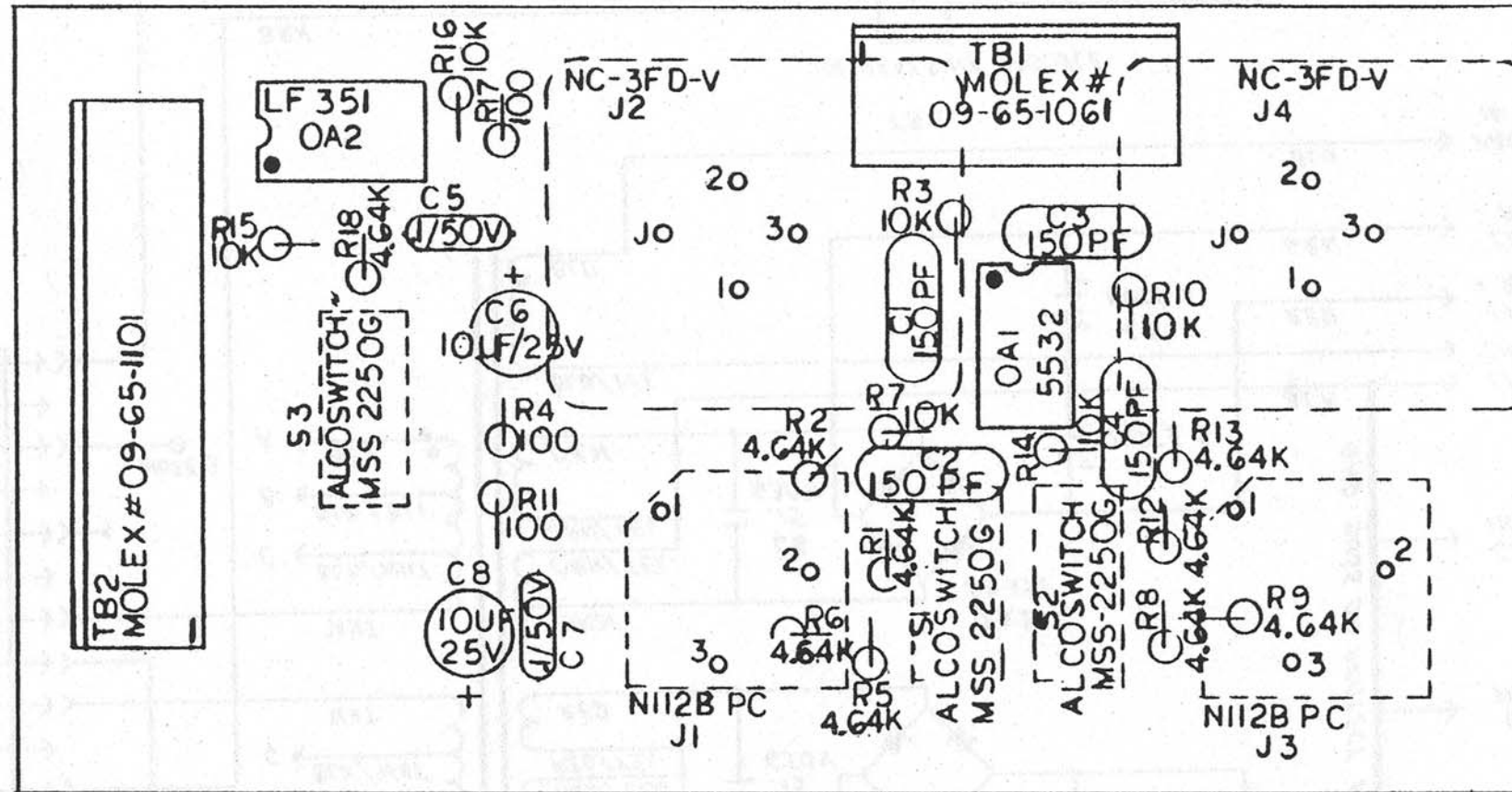


COMP NOT INSTALLED BY OUTSIDE VENDOR	LAST REV DES		NOTES	REV	DESCRIPTION	DATE	DALLAS MUSIC INDUSTRIES HAWTHORNE, N.J. 07506	
	USED	NOT USED					DWN: E.C. 9/18/84	CREST
CR 5, 6, 7, 8, 15, 16	C 32	CI, 2, 20, 21, 22,	1) ALL RESISTORS 1/4 W, 1% UNLESS OTHERWISE SPECIFIED 2) CAPACITORS = (D) DISC, (M) MICA, (P) POLY. 3) * - PARTS ON HEATSINK 4) ALL DIODES IN4148 UNLESS OTHERWISE SPECIFIED 5) REV 1, 2, 3, 4, 5, SEE DWG # 2104643-05 (OBSOLETE FILE) @ Q.6 & Q.7 ATTACH WITH PEM NUT # KFS2	06	REDESIGN P.C.B. & REDRAW DWG TO "C" SIZE	1/6/83	APP: I.F.	DATE: 6/22/84
C. 2, 3, 4, 5, 6, 7, 8, 9	CR20			07	ADD RESISTORS # 42, 45 5Ω ADD RESISTORS # 43, 44 (24.3K) ADD DIODES # 17, 19 (IN5930) ADD DIODES # 18, 20 (IN1786) REMOVE CAP # 22 (1000 PF)(D) CHANGE R13 FROM 3KΩ TO 100Ω CHANGE R25 FROM 430Ω 2W TO 200Ω 2W CHANGE C8 FROM 30 PF TO .02PF CHANGE R27, 28 FROM 100 TO 1K CHANGE R23, 26 FROM 6K8 TO 75K	2/15/84	TOL: ±.02 < ±1° ±.01 FRACT ±1/64	MODELS: 3000/3001 SERIES POWER AMPLIFIERS
TB2	L1						MATL:	HEATSINK P.C.B.
	Q19						FINISH:	ASSEMBLY DWG.
	R45							DWG NO: 22
	TB3							REV: 09
								SCALE: 2:1 NOT SCALE DRAWING
					OR	CB-30, CR18, 20-IN5930, R10-450, ADD CR21, 22, R44	4/25/84	



COMP NOT INSTALLED BY OUTSIDE VENDOR		LAST REF DES		NOTES	REV	DESCRIPTION	DATE	DALLAS MUSIC INDUSTRIES HAWTHORNE, N.J. 07508		
USED		NOT USED						01	REDESIGN&REDRAW	11/17/83
J2, J4 S1, S2, S3		C8		ALL RESISTOR 1/4W AND 1% UNLESS OTHERWISE SPECIFIED				APP. I.J.F.	DATE 1/5/84	
		J4						TOL. ± 0.2% < ± 1%	CREST MODELS: 3000/3001/4000/4001 POWER AMPLIFIERS	
		OA2						MATL		INPUT P.C.B. SCHEMATIC DWG
		R18						FINISH		DWG NO. 2103641
		S3							REV 01	
		TB2							SCALE DO NOT SCALE DRAWING	

NOTES ALL RESISTOR 1/4 W -
AND 1% UNLESS OTHERWISE
SPECIFIED.

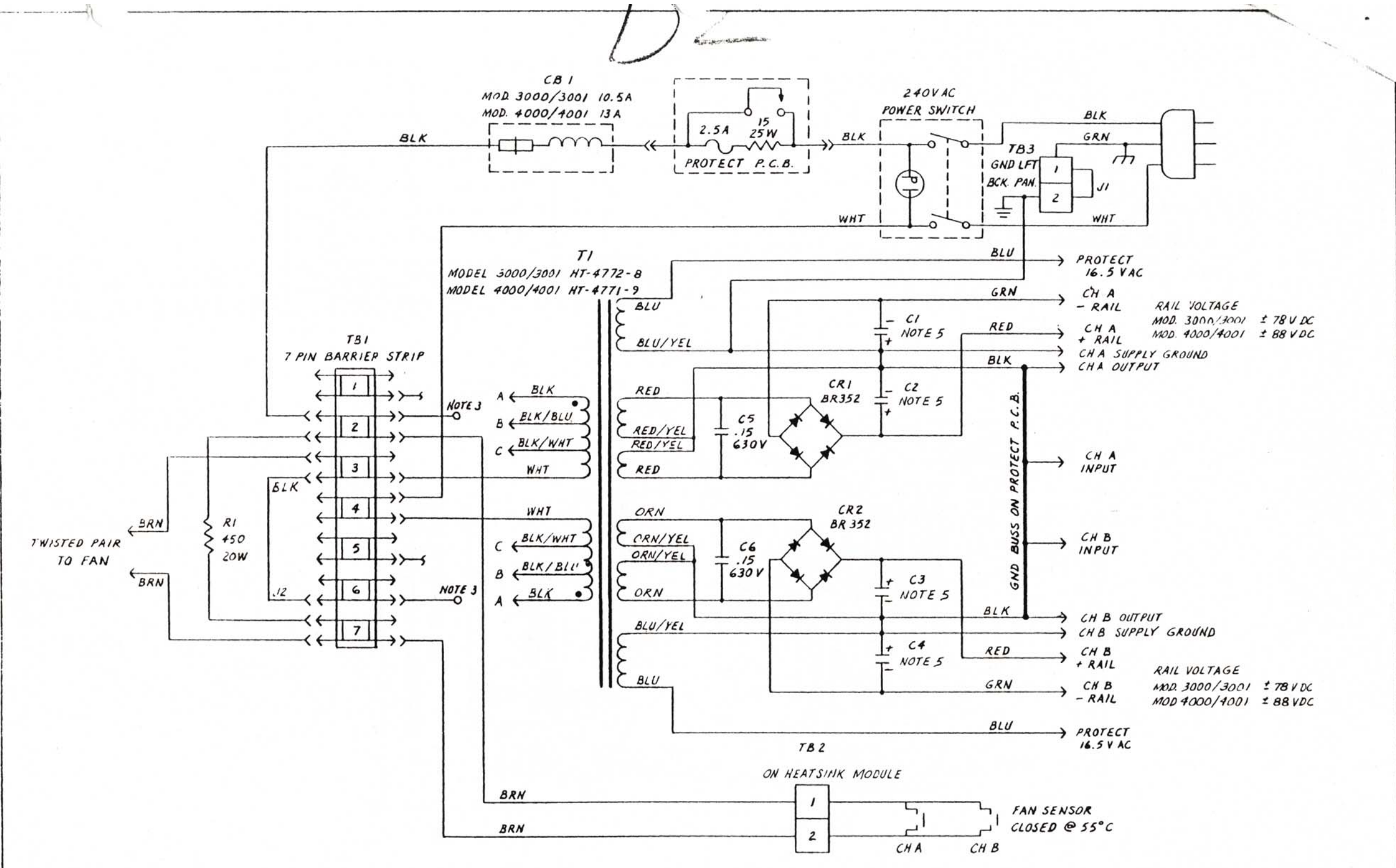


COMP. NOT INSTALLED BY
OUTSIDE VENDOR

J2, J4,		
---------	--	--

LAST REF DES		REV	DESCRIPTION	DATE
USED	NOT USED	01	REDESIGN & REDRAW	11/11/83
C8				
J4				
OA2				
R18				
S3				
TB2				

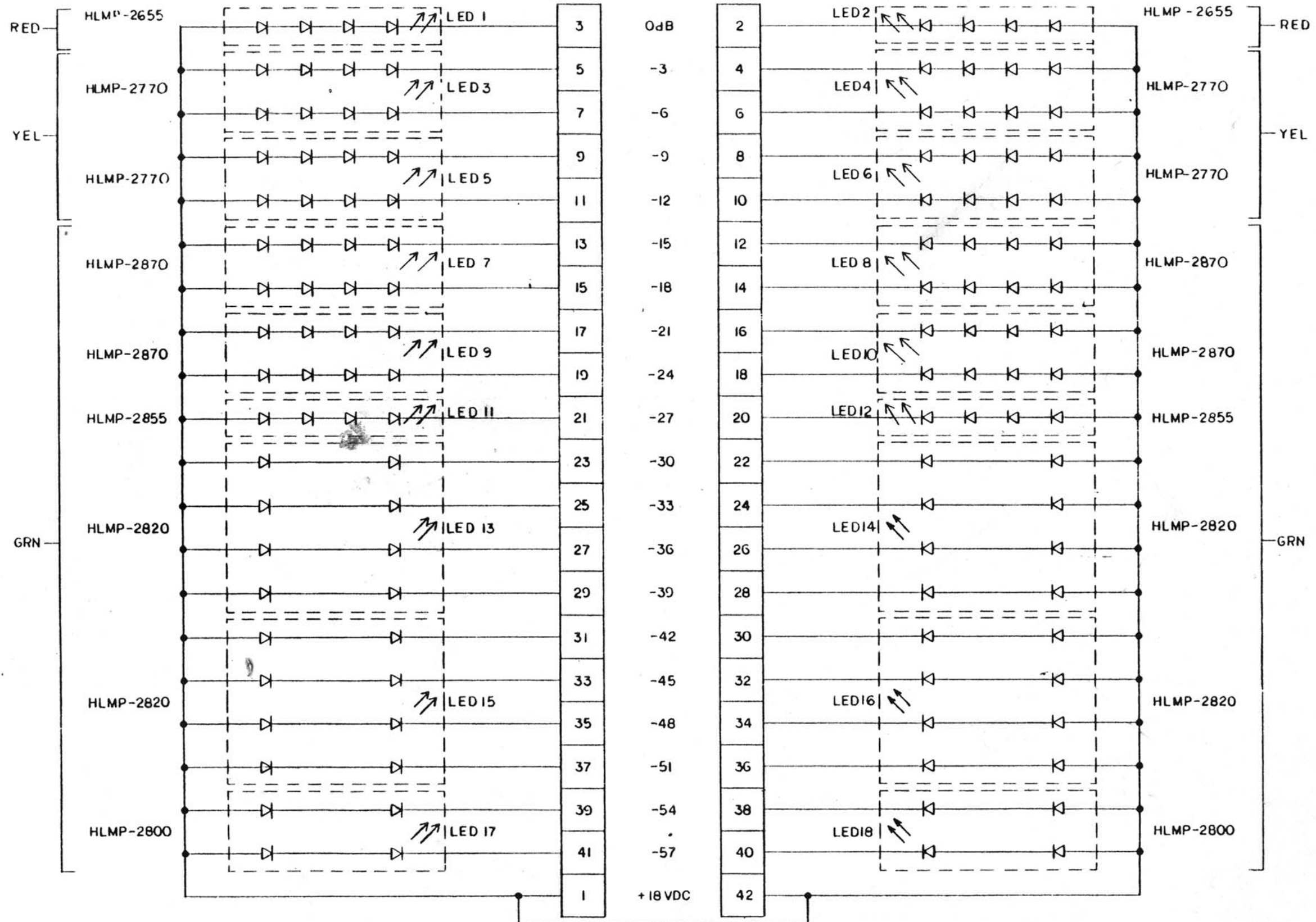
DALLAS MUSIC INDUSTRIES HAWTHORNE, N.J. 07506		
DWN.: E.C.	11/11/83	CREST
APP: I.F.	DATE: 2/2/84	MODELS: 4000/4001/3000/3001 POWER AMPLIFIERS
TOL: XX: ±.02 <: ±1° XXX: ±.01 FRACT: ±1/64		INPUT P.C.B. ASSEMBLY DWG.
MATL.:		
FINISH:	DWG. No.: 2202641	REV: 01
	SCALE: 2:1	DO NOT SCALE DRAWING



COMP. NOT INSTALLED BY OUTSIDE VENDOR	LAST REF DES.		NOTES	REV	DESCRIPTION	DATE
	USED	NOT USED				
	C6		1. J = JUMPER 2. FAN SENSOR LOCATED ON HEATSINK MODULE 3. XFMR TAB A = 240V B = 220V C = 200V 4. UNUSED XFMR TAB PER WINDING GOES TO TB1 PINS 1 & 5 5. MODELS 3000/3001 C1,C2,C3,C4 15000 80V MODELS 4000/4001 C1,C2,C3,C4 20000 90V			
	CB1					
	CR2					
	R1					
	S1					
	T1					
	TB3					

CREST AUDIO HAWTHORNE N.J. 07506	
OWN: E.N.	DATE: 9/23/85
APP: I.F.	DATE: 10/18/85
TOL: ±.02	±.1°
±.01	FRACT 2/64
MATL:	
FINISH:	
CREST MODELS 3000/3001/4000/4001 SERIES POWER AMPLIFIERS VOLTAGE CONVERSION AND POWER SUPPLY 200V - 240V SCHEMATIC DWG	
DWG NO: 2103797	REV:

CH A



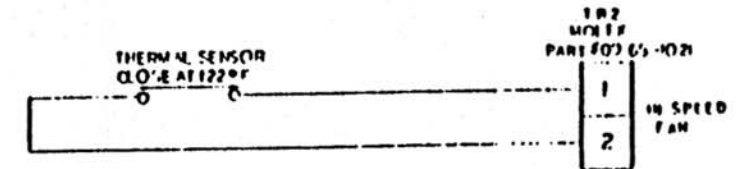
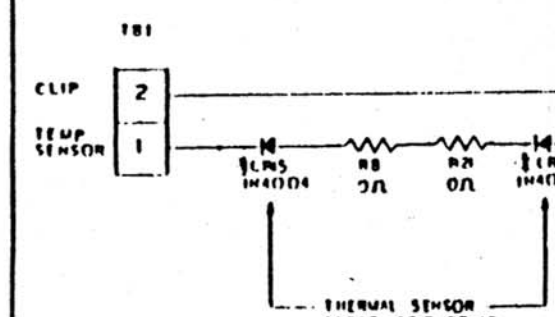
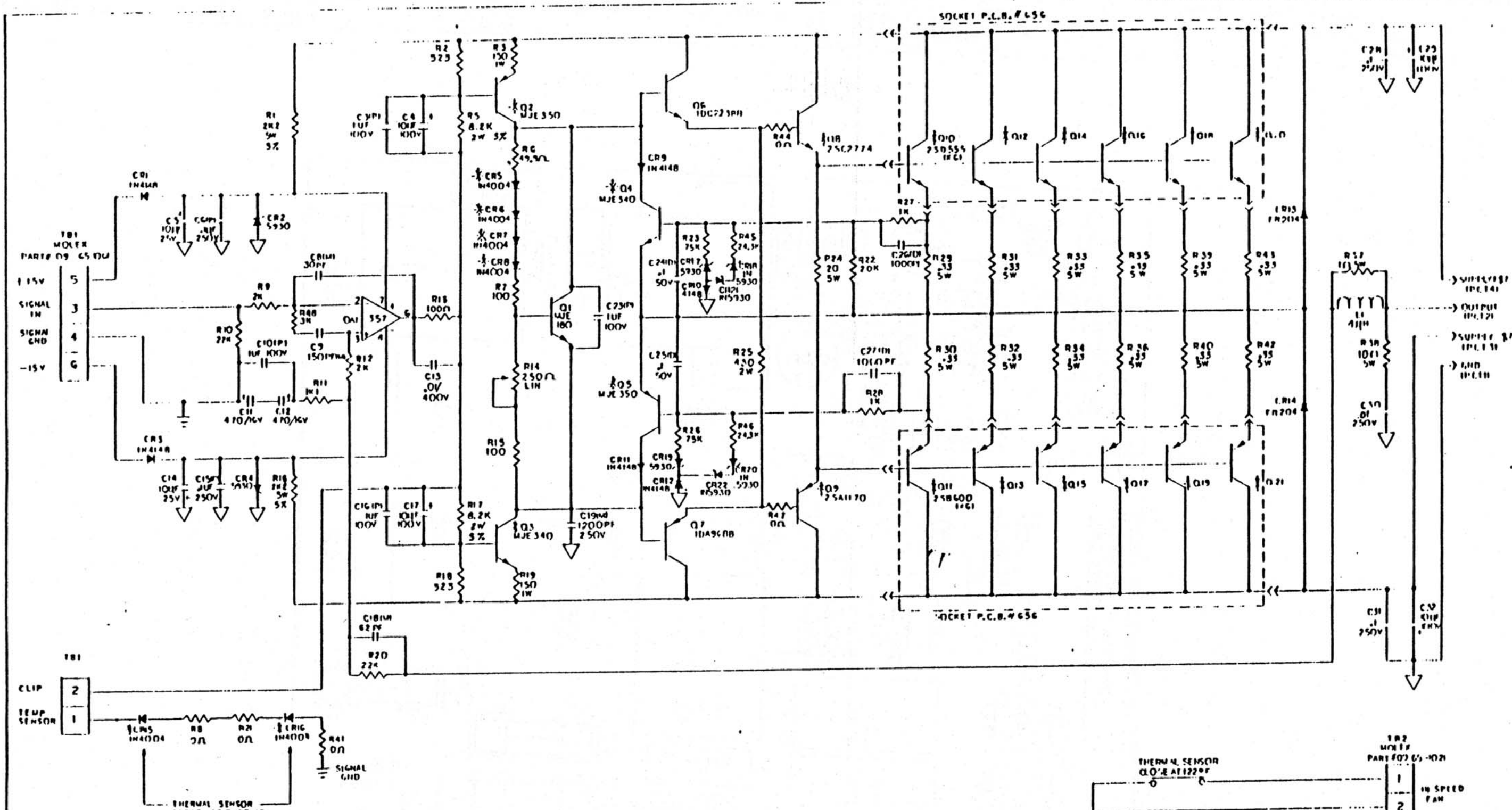
NOTES:

- 1) TB1 TERMINALS 1-21 & TB2 TERMINALS 22-42.

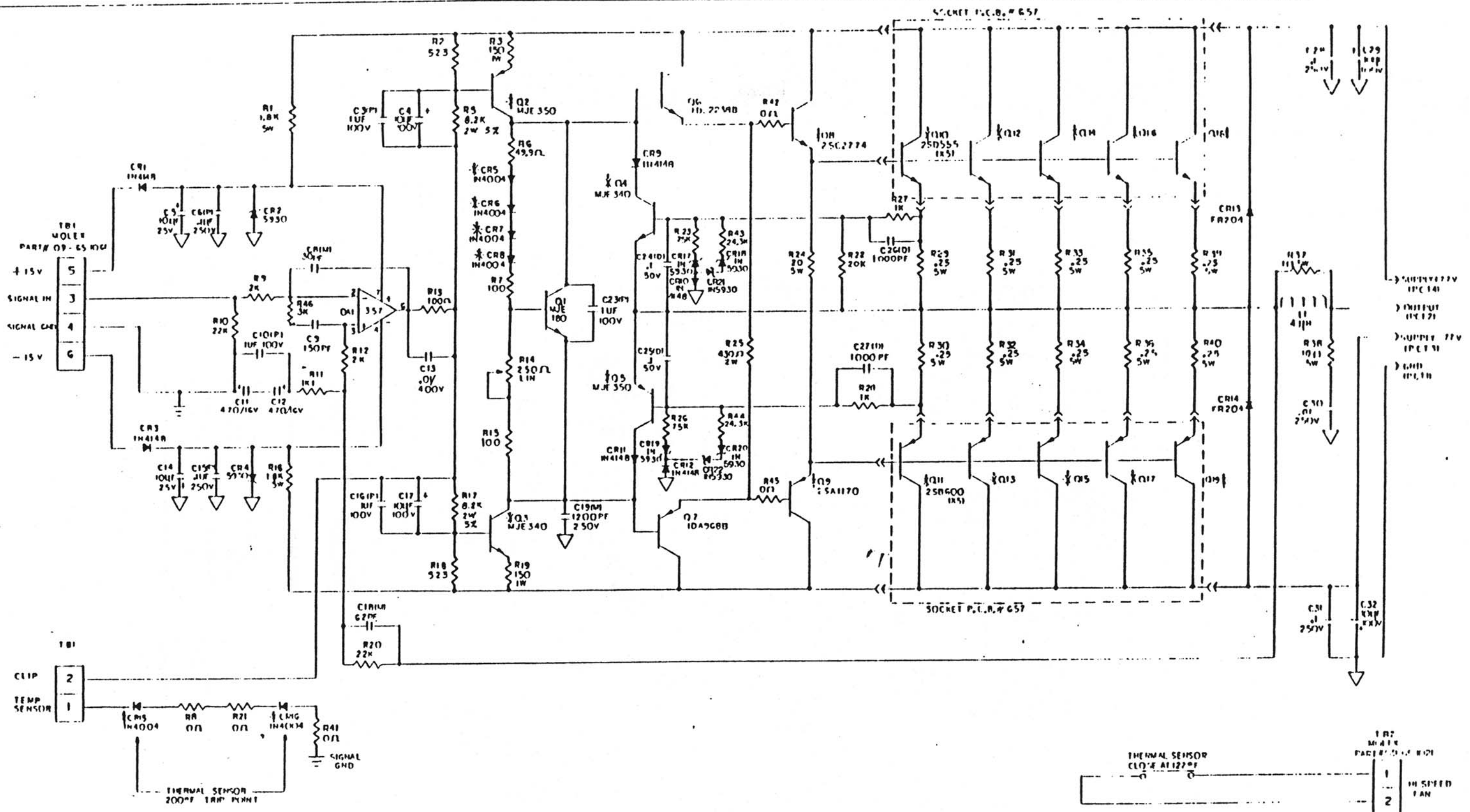
REV	DESCRIPTION	DATE
01	REDESIGN P.C.B.	2/8/82
02	REDESIGN P.C.B.	2/6/84



DWN	E.C.	DATE: 2/6/84	CREST MODEL 3000/300/4000/ 4001 POWER AMPLIFIERS METER ARRAY P.C.B. SCHEMATIC DWG.
APP	I.F.	DATE: 2/6/84	
TOL: XX ± .02 < ± 1° XXX ± .01 FRACT ± 1/64			DWG No. 2103379
MATERIALS:			
FINISH:			REV: 02
SCALE:			DO NOT SCALE DRAWING



REV	DESCRIPTION	DATE	COMP. NOT INSTALLED BY	LAST REF DES.	NOTES	REV	DESCRIPTION	DATE	DALLAS MUSIC INDUSTRIES
09	R29-R43 WERE .2W 5% L1 WAS 5-1/2" R18 R19 WERE 100 2K	11/27/85	OUTSIDE VENDOR CR5, 6, 7, R15, 16 Q2, 3, 4, 5, 6, 7, 8, 9 T82	USED C32 CR22 L1 Q1 C21 R50 T82	NOT USED C17, 7, 20, 21, 22	06	REDESIGN P.C.B. ADD RESISTOR R44 4715 1/4W ADD RESISTOR R45 46124.3 1/4W ALL JUNCTIONS 910 190H 50/50 ADD JUNCTIONS 910 201H 10/10 REMOVE CAP 272 100V 100PF CHANGE R15 FROM 300 TO 1000 CHANGE R25 FROM 430 TO 2W 1/4W CHANGE R27 FROM 100 TO 1000 CHANGE C18 FROM 100 TO 1000 CHANGE R22 FROM 100 TO 1000 CHANGE R23 FROM 100 TO 1000 CHANGE R24 FROM 100 TO 1000 CHANGE R25 FROM 100 TO 1000 CHANGE R26 FROM 100 TO 1000 CHANGE R27 FROM 100 TO 1000 CHANGE R28 FROM 100 TO 1000 CHANGE R29 FROM 100 TO 1000 CHANGE R30 FROM 100 TO 1000 CHANGE R31 FROM 100 TO 1000 CHANGE R32 FROM 100 TO 1000 CHANGE R33 FROM 100 TO 1000 CHANGE R34 FROM 100 TO 1000 CHANGE R35 FROM 100 TO 1000 CHANGE R36 FROM 100 TO 1000 CHANGE R37 FROM 100 TO 1000 CHANGE R38 FROM 100 TO 1000 CHANGE R39 FROM 100 TO 1000 CHANGE R40 FROM 100 TO 1000 CHANGE R41 FROM 100 TO 1000 CHANGE R42 FROM 100 TO 1000 CHANGE R43 FROM 100 TO 1000	1/11/84 7/13/84	SECRET P.C.B. #456
07						07			
08						08			



REV	DESCRIPTION	DATE	COMP NOT INSTALLED BY OUTSIDE VENDOR	LAST REF DES	NOTES	REV	DESCRIPTION	DATE
05	R5 & R17 WERE 30K & R1 WAS 50K R29 - R40 WERE .25K R2 (R18 WERE 2K	11/17/84	CR5, 6, 7, R15, 16 Q2, 3, 4, 5, 6, 7, 8, 9 T87	USED NOT USED C1, 2, 20, 21, 22 CR22 L1 Q1 Q19 R46 T83	1) ALL RESISTORS 1/4 W. UNLESS OTHERWISE SPECIFIED 2) CAPACITORS - 100 DISC, 100M CAP POLY. 3) 1/2 PARTS ON HEATSINK 4) ON SOCKET P.C.B., USE PIN MAPPING (X) (G) (O) (Z) (Y) (1) (10) (06) (13) (10) (11) 5) REV. 12, 1, 4, 5 SEE DWG 2104643 - OSI DISCRETE FILE)	06 07	1) ALL SIGN P.C.B. (REV 10) DWG 2) ADD RESISTORS R42 45K 50K 3) ADD RESISTORS R43 44K 24.3K 4) ADD DIODES # 12, 16 (1N5930) 5) ADD DIODES # 17, 18 (1N4148) 6) REMOVE CAP # 22 (1000PF) 7) CHANGE R15 FROM 30K TO 100K 8) CHANGE R25 FROM 430-2W TO 200K 2W 9) CHANGE C 2 FROM 30PF TO 82PF 10) CHANGE R27 (27K) FROM 10K TO 1K 11) CHANGE R25 (25K) FROM 10K TO 75K 12) C.B. 100 (CR20) 1N5930 125 430	11/5/84 1/15/84

DALLAS MUSIC INDUSTRIES
MUSIC HOME DEPT

11/5/84

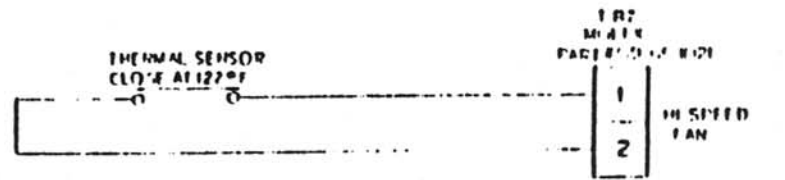
1/15/84

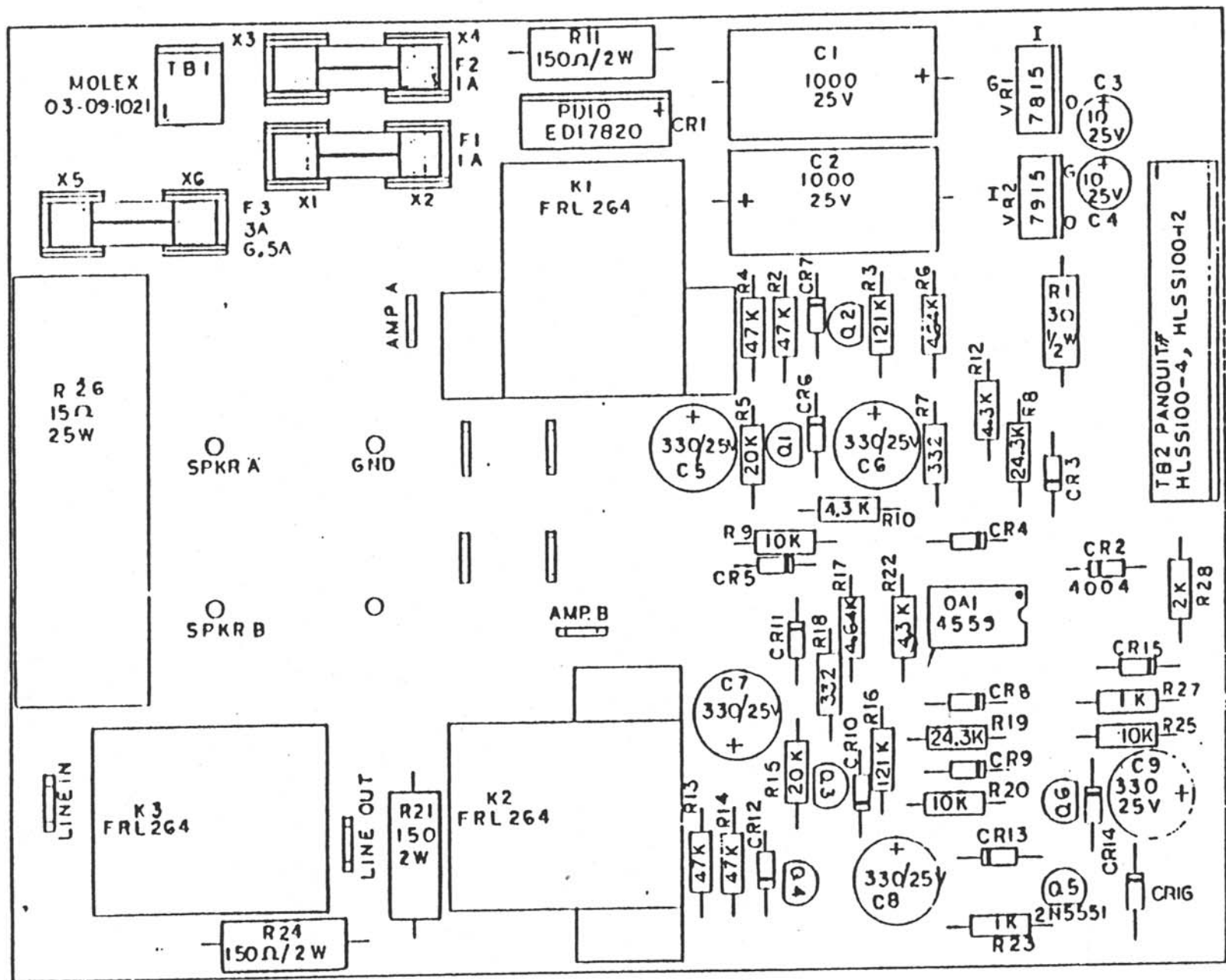
CR51

HEATSINK P.C.B.
SCHEMATIC P.C.B.

109

DO NOT SCALE DRAWING





TB2 PANQUIT#
HLSS100-4, HLSS100-12

COMP NOT INSTALLED BY
OUTSIDE VENDOR

LAST REF DES.	
USED	NOT USED
C 9	
CRIG	
K 3	
OA1	
Q 6	
R 28	

NOTES

- 1) ALL RESISTORS 1/4W, 1% UNLESS OTHERWISE SPECIFIED
- 2) ALL DIODES IN4148 UNLESS OTHERWISE SPECIFIED
- 3) ALL TRANSISTORS MPSA13 UNLESS OTHERWISE SPECIFIED
- 4) X1-X6 KEYSTONE # 3529

REV	DESCRIPTION	DATE
01	REDESIGN P.C.B.	3/13/84
02	CHANGE R8, R19 FROM 20K TO 24.3K	3/23/84
03	R25 FROM 75K TO 24.3K TO 10K	5/31/84

DALLAS MUSIC INDUSTRIES
HAWTHORNE, N.J. 07308

OWN: E.C. DATE: 3/13/84
APP: I.F. DATE: 6/22/84

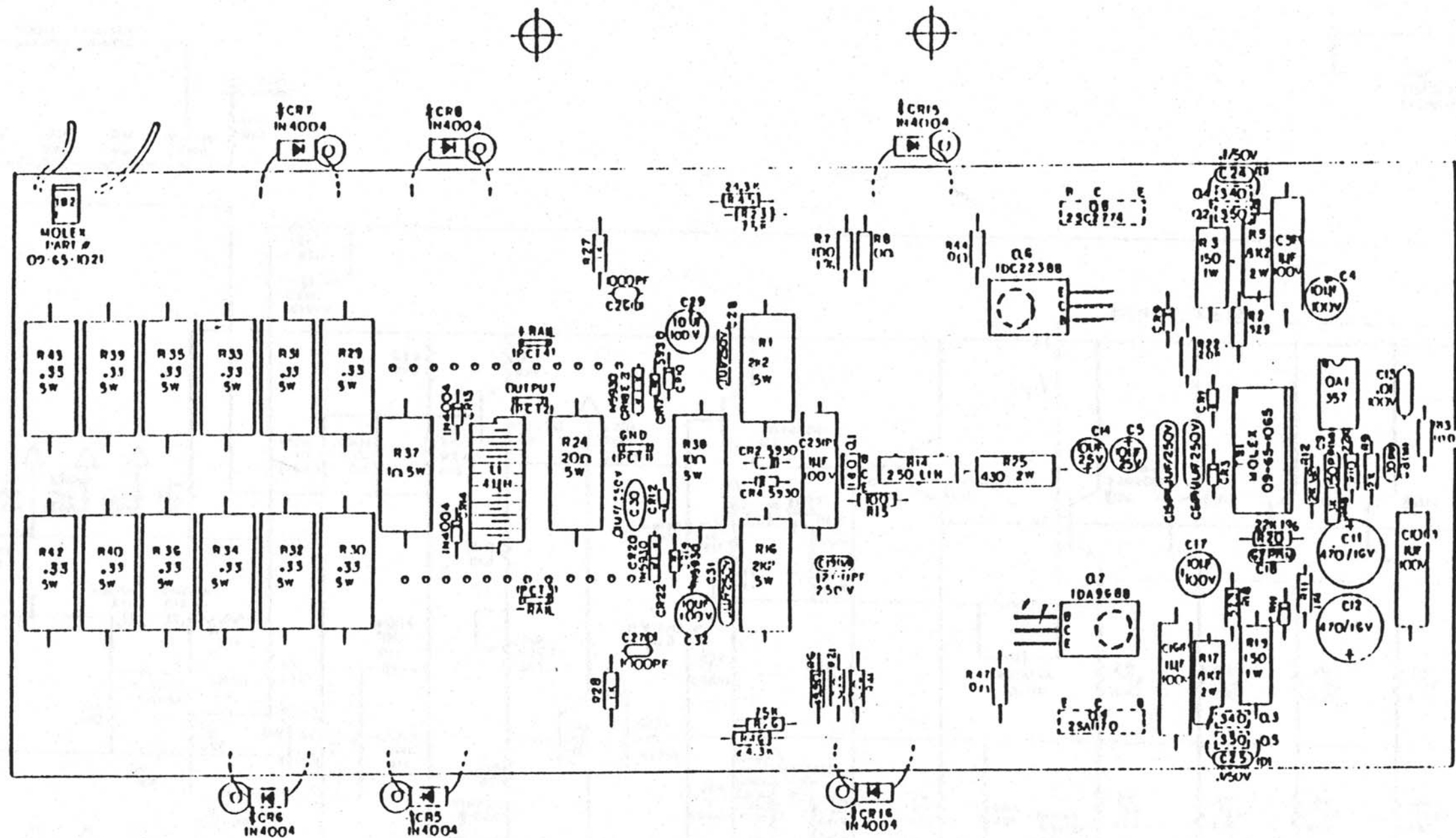
TOL: ± .05 ± .01
FRACT: 2/100

MATERIAL:

FINISH:

CREST:
MODELS: 4000/1001/3000/3001
POWER AMPLIFIERS
RELAY /PROJECT P.C.B.
ASSY DIG

DWG NO: 2203677



REV	DESCRIPTION	DATE	COMP. NOT INSTALLED BY
09	R7 & R17 WERE 30K 1/4W LI WAS 5W R19 - R42 WERE .25A. RE & R18 WERE 2W	12/1/83	OUTSIDE VENDOR

LAST REF DES.	NOTES
USED	ALL RESISTORS 1/2W 1% UNLESS OTHERWISE SPECIFIED
NOT USED	2 CAPACITORS: 10 DISC, 10 MIC, 10 POLY
	3 1/2 PARTS ON HEAT SINK
	ALL NODES W/1414R UNLESS OTHERWISE SPECIFIED
	SI REV. 1, 2, 3, 4, 5 SEE DWG # 2104647-05
	IC OBSOLETE FILE
	GI GGG CQY ATTACH WITH PEN #17 NPS2-632

REV	DESCRIPTION	DATE
06	REDESIGN P.C.B.	1/17/84
07	ADD RESISTOR R45 4K 1/4W 5W ADD RESISTOR R45 4K 1/4W 5W ADD DIODES R17, R19 1N5930 ADD DIODES R17, R19 1N5930 REMOVE CAP 10 1000 100 CHANGE R15 FROM 300K TO 100K CHANGE R25 FROM 450K TO 2W TO 200K 2W CHANGE CR FROM 50V TO 62V CHANGE R27, R28 FROM 10W TO 2W CHANGE R23 TO 200K FROM 100K	2/7/84
08	R8 TO 30K 1/4W TO 2W 5W R25 TO 450K 2W TO 2W 10W	2/7/84

REV	DESCRIPTION	DATE
06	REDESIGN P.C.B.	1/17/84
07	ADD RESISTOR R45 4K 1/4W 5W ADD RESISTOR R45 4K 1/4W 5W ADD DIODES R17, R19 1N5930 ADD DIODES R17, R19 1N5930 REMOVE CAP 10 1000 100 CHANGE R15 FROM 300K TO 100K CHANGE R25 FROM 450K TO 2W TO 200K 2W CHANGE CR FROM 50V TO 62V CHANGE R27, R28 FROM 10W TO 2W CHANGE R23 TO 200K FROM 100K	2/7/84
08	R8 TO 30K 1/4W TO 2W 5W R25 TO 450K 2W TO 2W 10W	2/7/84

REV	DESCRIPTION	DATE
06	REDESIGN P.C.B.	1/17/84
07	ADD RESISTOR R45 4K 1/4W 5W ADD RESISTOR R45 4K 1/4W 5W ADD DIODES R17, R19 1N5930 ADD DIODES R17, R19 1N5930 REMOVE CAP 10 1000 100 CHANGE R15 FROM 300K TO 100K CHANGE R25 FROM 450K TO 2W TO 200K 2W CHANGE CR FROM 50V TO 62V CHANGE R27, R28 FROM 10W TO 2W CHANGE R23 TO 200K FROM 100K	2/7/84
08	R8 TO 30K 1/4W TO 2W 5W R25 TO 450K 2W TO 2W 10W	2/7/84

DALLAS MUSIC INDUSTRIES			
MULTIMEDIA # 1 0988			
DESIGNED BY	DATE	REV	09
CREATED BY	DATE	REV	09
MODELS: 1000/1001/1002/1003			
HEAT SINK P.C.B.			
ASSEMBLY DWG.			
SCALE: 1:1			