

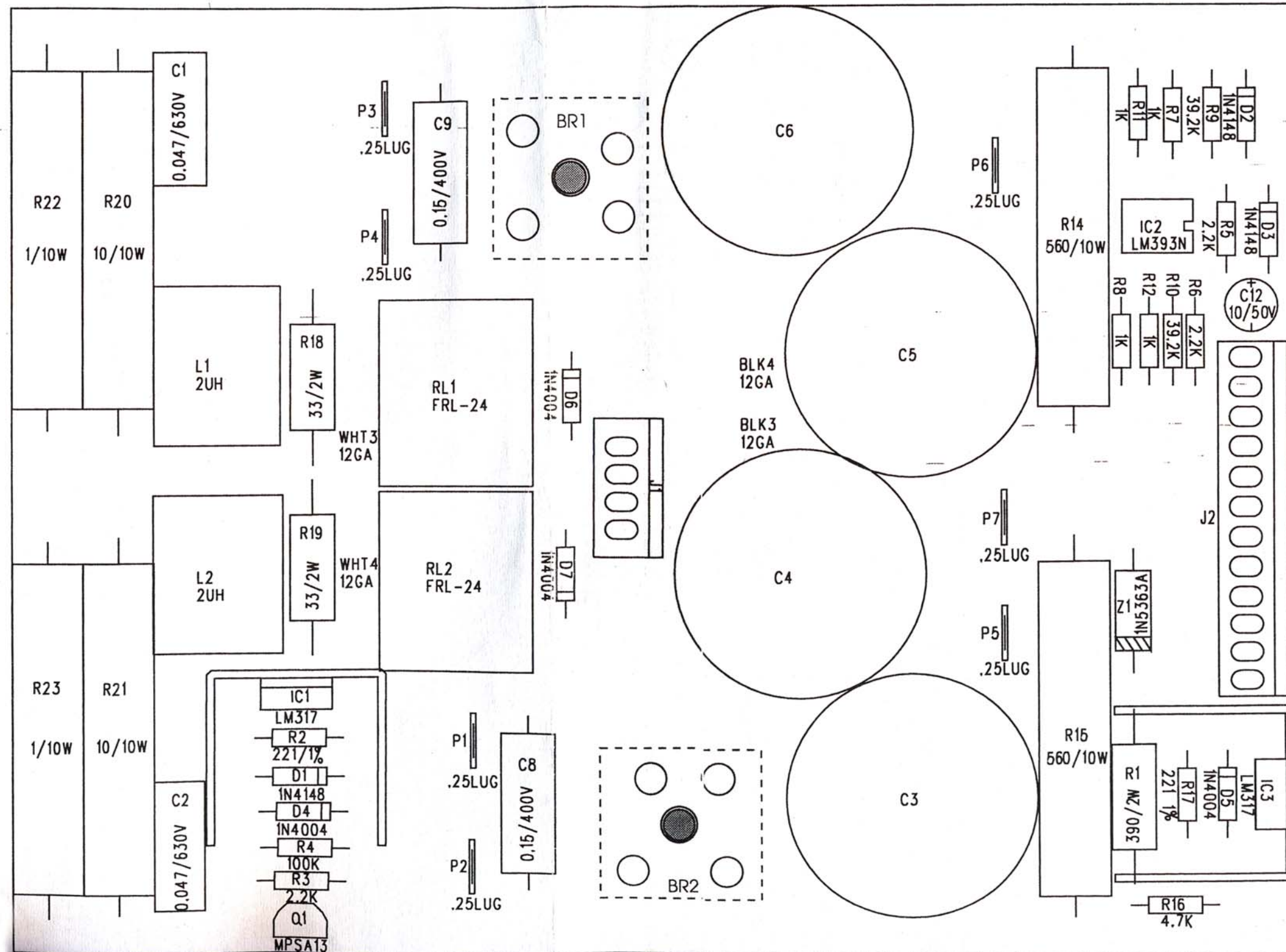
NOTE 1: 8.2K 2W ON MODELS 8001, 7001, CV601/600
 6.8K 2W ON MODELS 6001, 4801
 5.6K 2W ON MODELS CC301/300
 3.3K 2W ON MODELS CV301/300, CC151/150

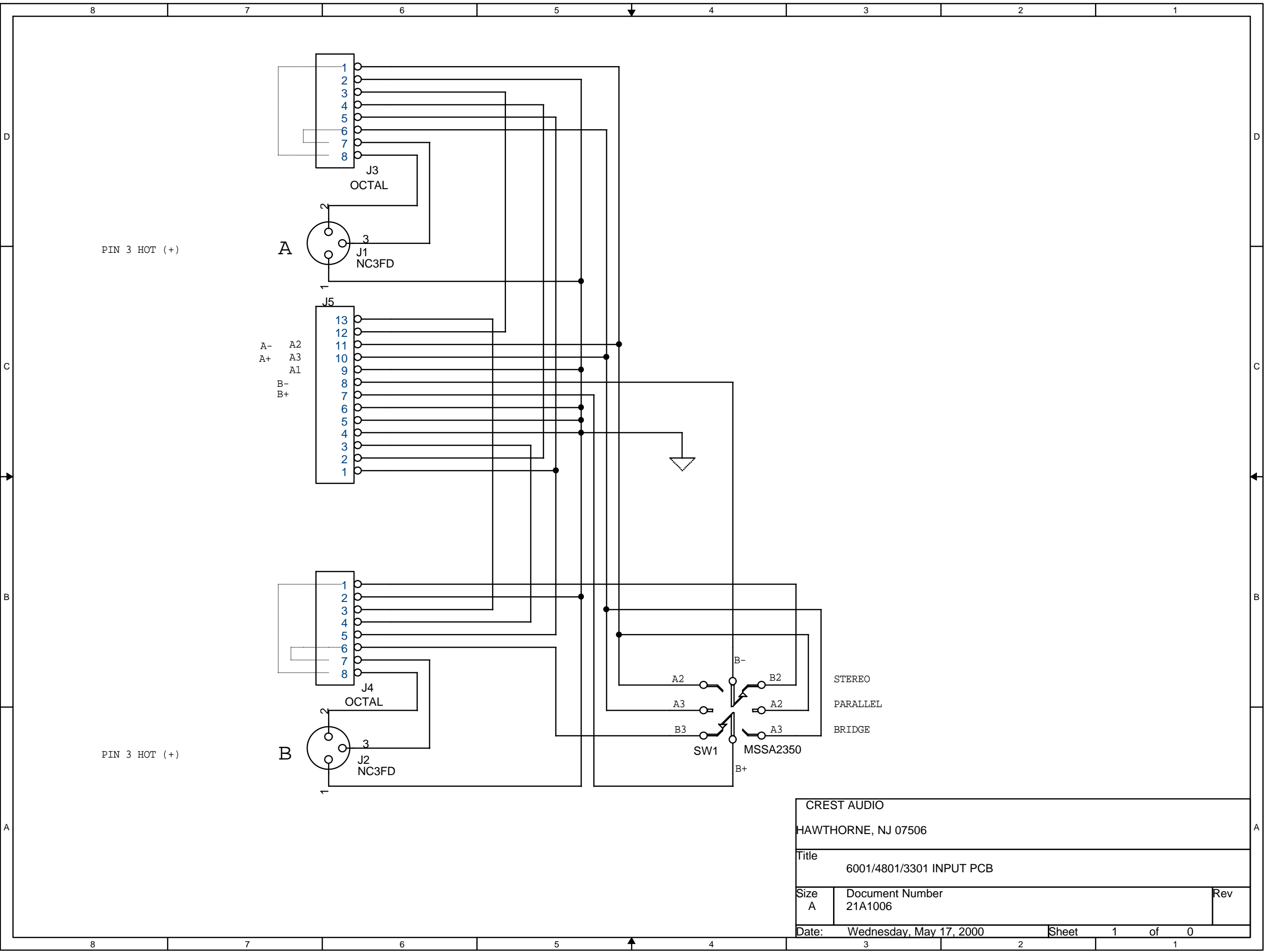
NOTE 2: 27K 2W ON MODELS 8001, 7001, CC601/600
 20K 2W ON MODELS 6001, 4801, CC301/300
 15K 2W ON MODELS CV301/300, CC151/150

NOTE 3: 1K 10W ON MODELS CC151/150, CV301/300
 820 10W ON ALL OTHER MODELS

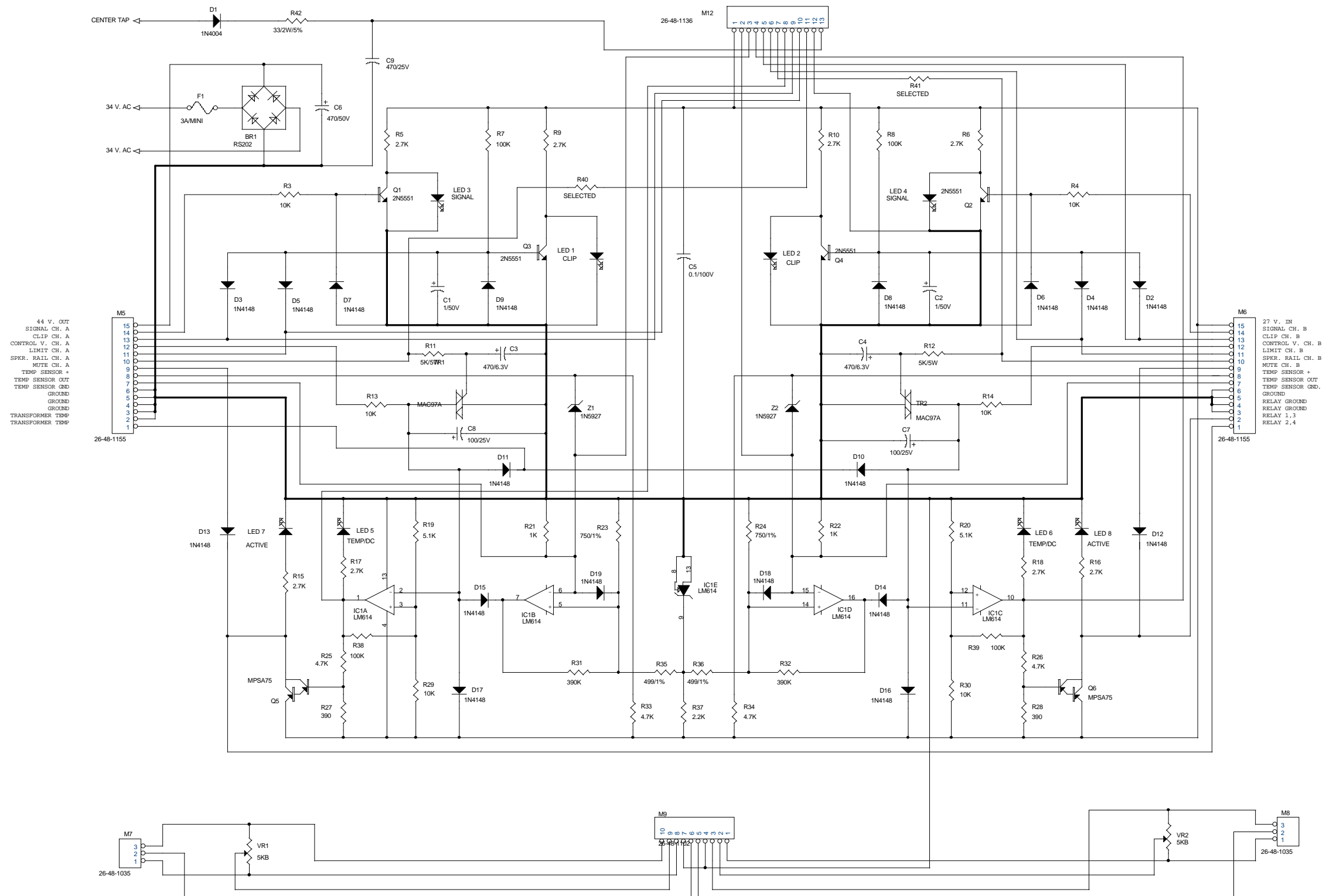
T LAYOUT #6A-1 4801 POWER SUPPLY / FAN DRIVER PCB

MODEL 4801 FROM SERIAL NUMBER 8903A00 (3/89) ON.





CREST AUDIO		
HAWTHORNE, NJ 07506		
Title 6001/4801/3301 INPUT PCB		
Size A	Document Number 21A1006	Rev
Date: Wednesday, May 17, 2000	Sheet 1	of 0



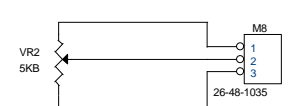
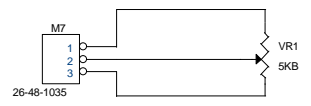
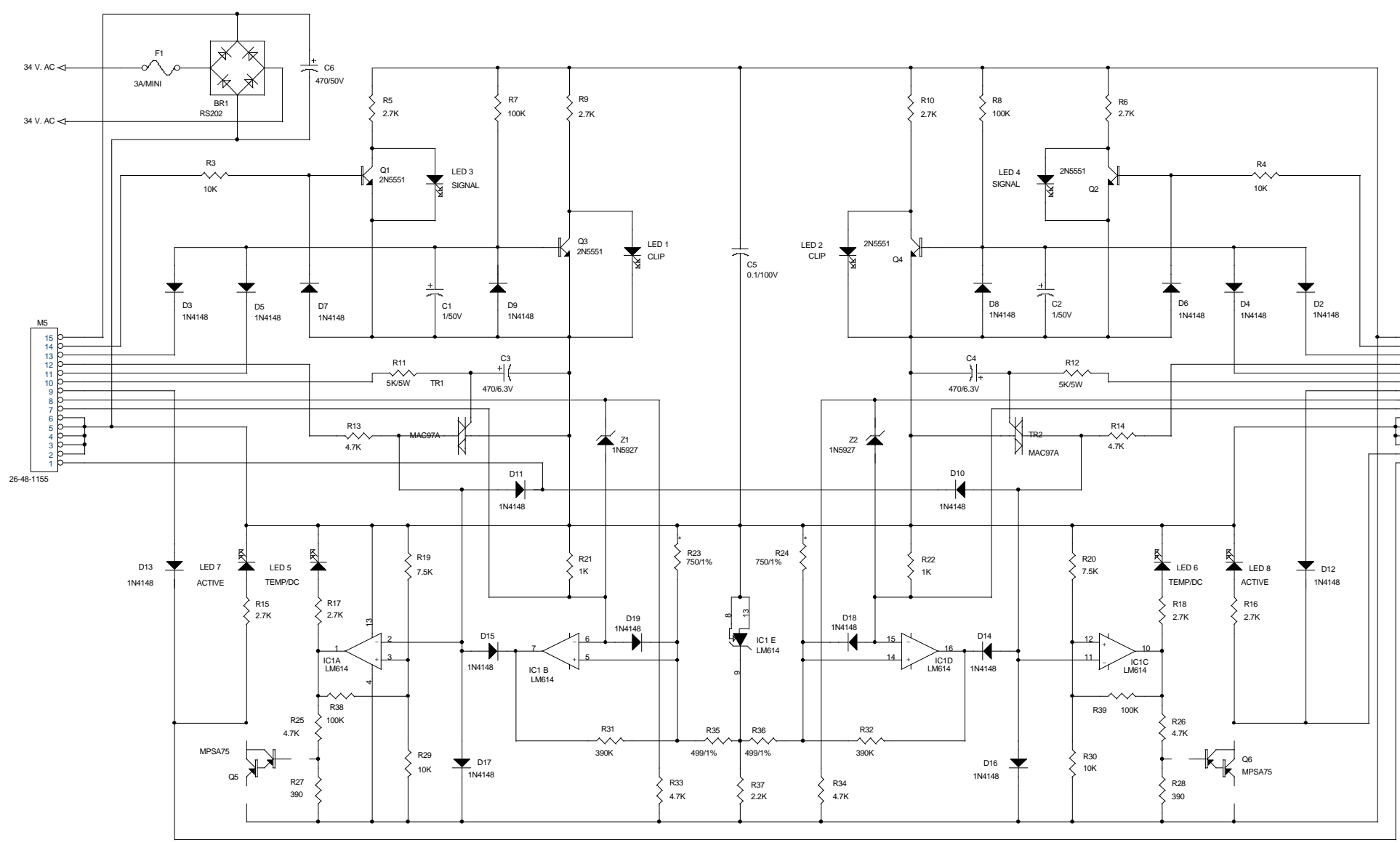
R40, R41 RESISTOR VALUES

MODEL	VALUE
3301	41.2K 1/4W/1%
4601	53.6K 1/4W/1%
4801	60.4K 1/4W/1%
6001	73.2K 1/4W/1%
7001	84.5K 1/4W/1%

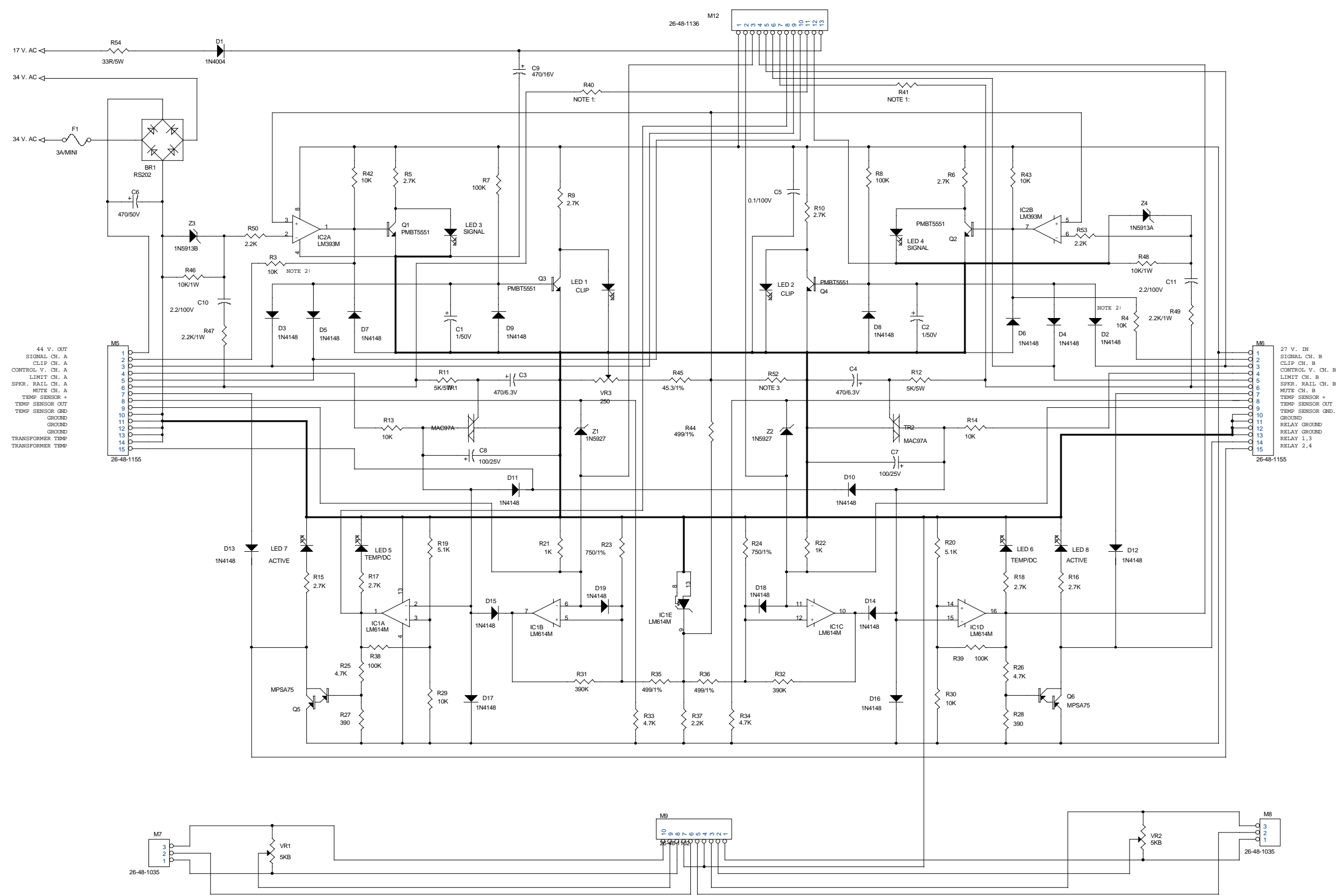
CREST AUDIO INC.
 150 Florence Ave.
 Hawthorne, NJ 07506
 Title 7-6-48-46-3301 DISPLAY WINEXSYS CONTROL
 Size C Document Number 21C1095 Rev 02
 Date: Wednesday, May 17, 2000 Sheet 1 of 0

44 V. OUT
 SIGNAL CH. A
 CLIP CH. A
 CONTROL V. CH. A
 LIMIT CH. A
 SPKR. RAIL CH. A
 MUTE CH. A
 TEMP SENSOR +
 TEMP SENSOR OUT
 TEMP SENSOR GND
 GROUND
 GROUND
 TRANSFORMER TEMP
 TRANSFORMER TEMP

27 V. IN
 SIGNAL CH. B
 CLIP CH. B
 CONTROL V. CH. B
 LIMIT CH. B
 SPKR. RAIL CH. B
 MUTE CH. B
 TEMP SENSOR +
 TEMP SENSOR OUT
 TEMP SENSOR GND
 GROUND
 RELAY GROUND
 RELAY GROUND
 RELAY 1,3
 RELAY 2,4



* NOTE
 ON 7001 R23, R24 WILL CHANGE TO 1K/1K WITH UL APPROVAL



44 V. OUT
 SIGNAL CH. A
 CLIP CH. A
 CONTROL V. CH. A
 LIMIT CH. A
 SPKR. RAIL CH. A
 NOTE CH. A
 TEMP SENSOR +
 TEMP SENSOR OUT
 TEMP SENSOR GND
 GROUND
 GROUND
 TRANSFORMER TEMP
 TRANSFORMER TEMP

27 V. IN
 SIGNAL CH. B
 CLIP CH. B
 CONTROL V. CH. B
 LIMIT CH. B
 SPKR. RAIL CH. B
 NOTE CH. B
 TEMP SENSOR +
 TEMP SENSOR OUT
 TEMP SENSOR GND.
 GROUND
 RELAY GROUND
 RELAY GROUND
 RELAY 1,3
 RELAY 2,4

NOTE 1: R40, R41 RESISTOR VALUES

MODEL	VALUE
4801	60.4K 1/4W/1%
6001	73.2K 1/4W/1%
7001	84.5K 1/4W/1%

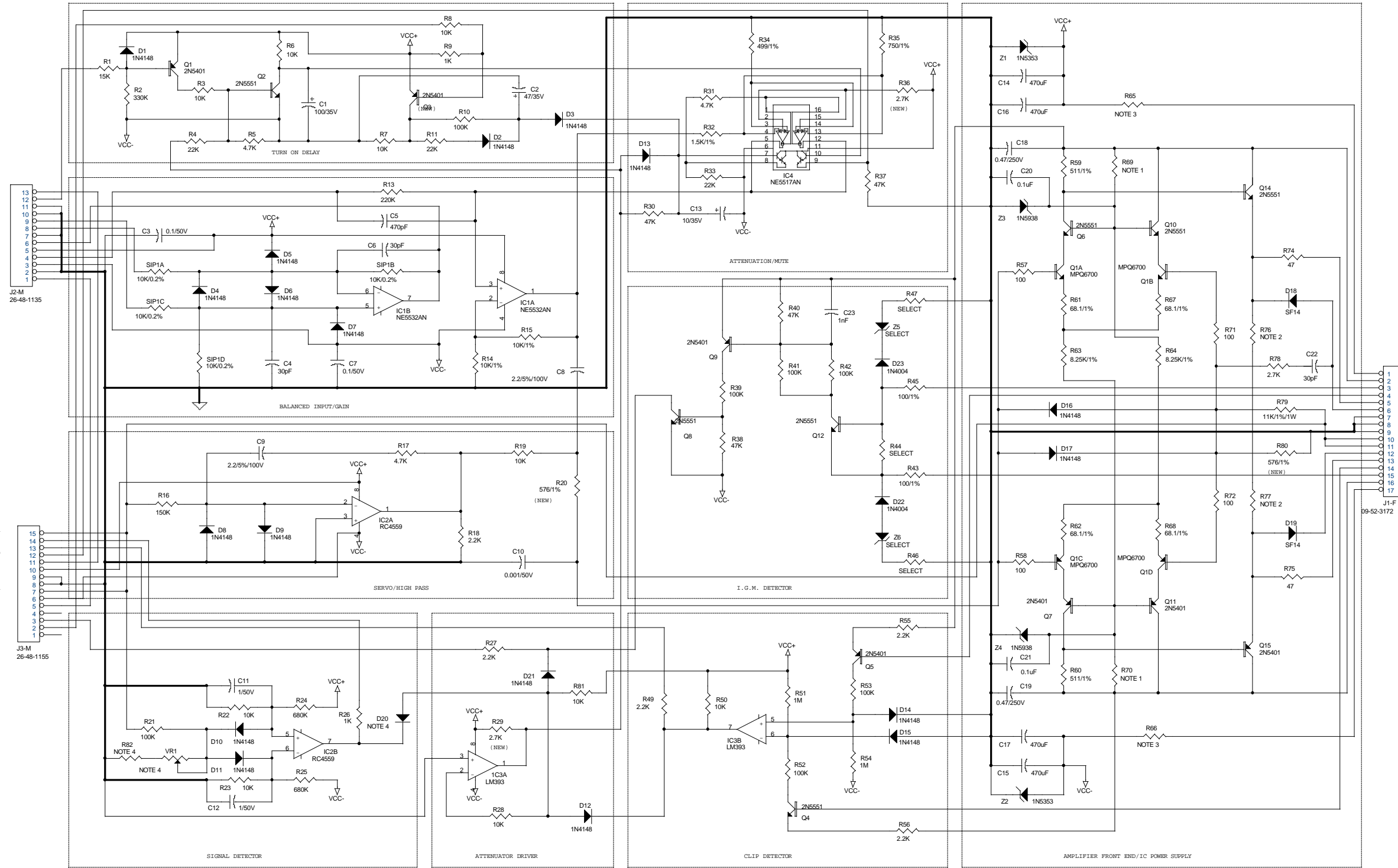
NOTE 2: R3, R4 NOT INSTALLED
 RESERVED FOR FUTURE USE

NOTE 3: R52 USED FOR FIXED SIGNAL PRESENCE THRESHOLD

CREST AUDIO INC.
 150 Florence Ave.
 Hawthorne, NJ 07506
 File
 MA5850 DISPLAY WITH NEXUS CONTROL

Size C	Document Number 21C1229	Rev 02
-----------	----------------------------	-----------

Date: Friday, May 19, 2000 Sheet 1 of 0



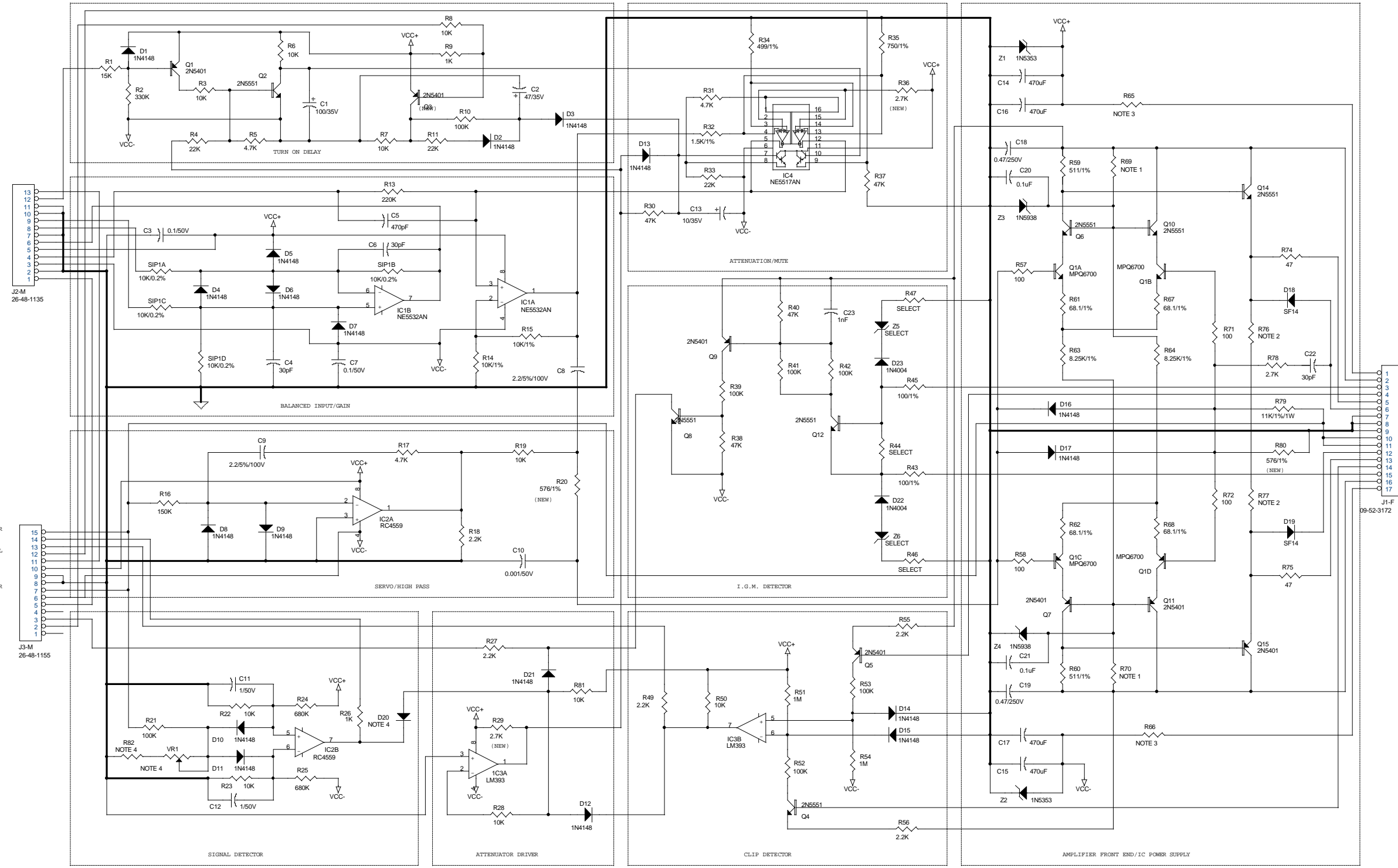
NOTE 1: 8.2K 2W ON MODELS 8001, 7001, CV601
 6.8K 2W ON MODELS 6001, 4801
 4.3K 2W ON MODEL 4601
 5.6K 2W ON MODELS CC301/300
 3.3K 2W ON MODELS CV301, CC151, 3301
 NOTE 2: 27K 2W ON MODELS 8001, 7001, CV601
 20K 2W ON MODELS 6001, 4801, CC301
 16K 2W ON MODEL 4601
 15K 2W ON MODELS CV301, CC151, 3301

NOTE 3: 750 10W ON MODELS 8001, CV601
 680 10W ON MODEL 7001
 620 10W ON MODEL 6001
 560 10W ON MODELS 4801, MA5850
 1.1K 10W ON MODEL 4601
 560 10W ON MODELS CC301
 1K 10W ON MODELS CV301, 3301
 360 10W ON MODEL CC151
 NOTE 4: R82, D20, VR1 ARE USED ON MODEL MA5850 ONLY
 NOTE 5: PRIOR TO 6-2-92 R65, R66 WERE 1K/10W ON MODEL CC151

1.1K 10W ON MODEL 4601
 560 10W ON MODELS CC301
 1K 10W ON MODELS CV301, CC151, 3301
 NOTE 4: R82, R83, D20, VR1 ARE USED ON MODEL MA5850 ONLY

REV NOTES 7/15/93
 (1) DELETE R12

CREST AUDIO INC.		
150 Florence Ave. Hawthorne, NJ 07506		
Title PRO-LINE PREAMP/FRONT END		
Size C	Document Number 21C1124-02	Rev 02
Date Friday, May 19, 2000	Sheet 1	of 1



NOTE 1: 8.2K 2W ON MODELS 8001, 7001, CV601
 6.8K 2W ON MODELS 6001, 4801
 4.3K 2W ON MODEL 4601
 5.6K 2W ON MODELS CC301/300
 3.3K 2W ON MODELS CV301, CC151, 3301
 NOTE 2: 27K 2W ON MODELS 8001, 7001, CV601
 20K 2W ON MODELS 6001, 4801, CC301
 16K 2W ON MODEL 4601
 15K 2W ON MODELS CV301, CC151, 3301

NOTE 3: 750 10W ON MODELS 8001, CV601
 680 10W ON MODEL 7001
 620 10W ON MODEL 6001
 560 10W ON MODELS 4801, MA5850
 1.1K 10W ON MODEL 4601
 560 10W ON MODELS CC301
 1K 10W ON MODELS CV301, 3301
 360 10W ON MODEL CC151

NOTE 4: R82, D20, VR1 ARE USED ON MODEL MA5850 ONLY

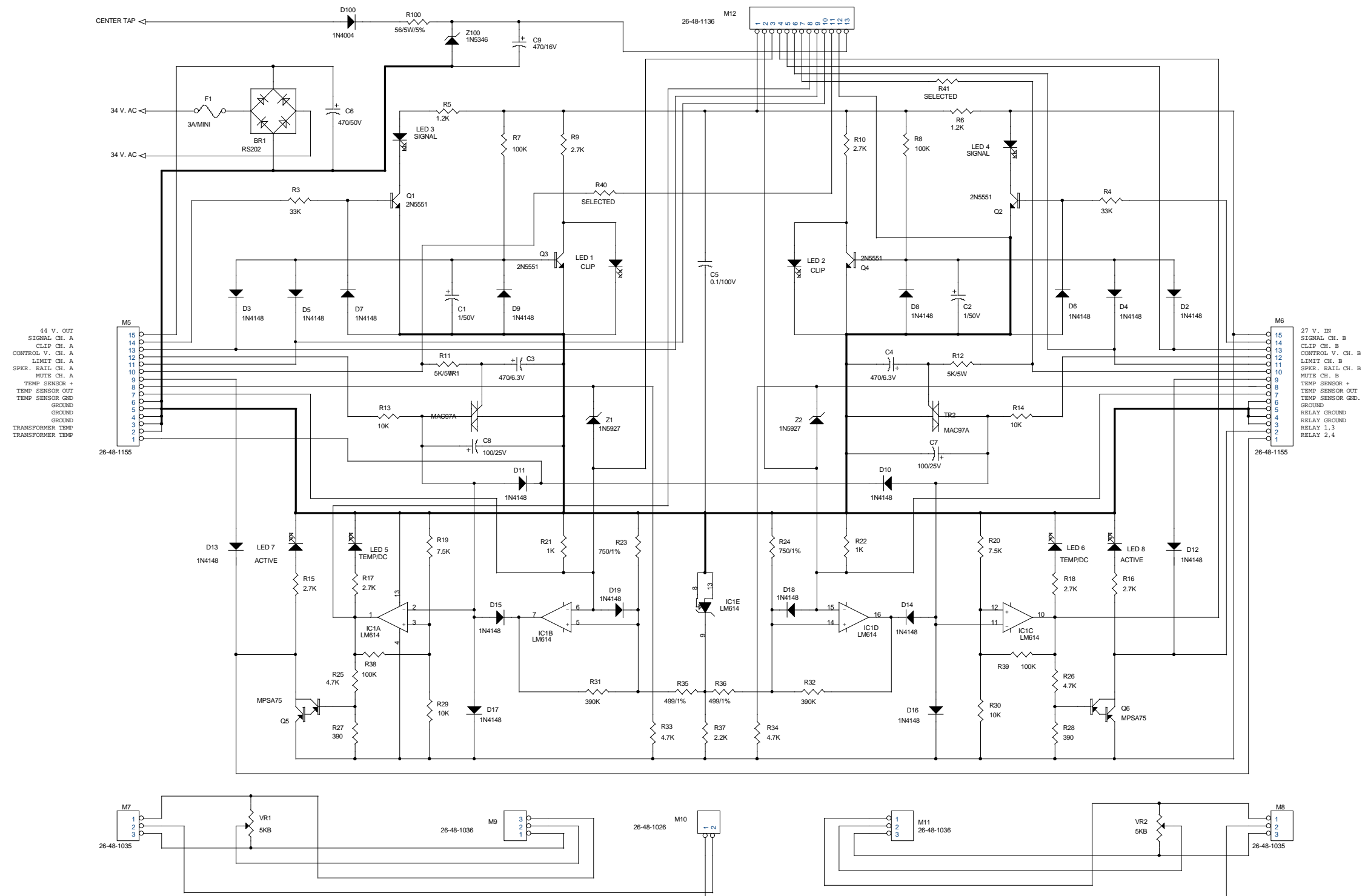
NOTE 5: PRIOR TO 6-2-92 R65, R66 WERE 1K/10W ON MODEL CC151

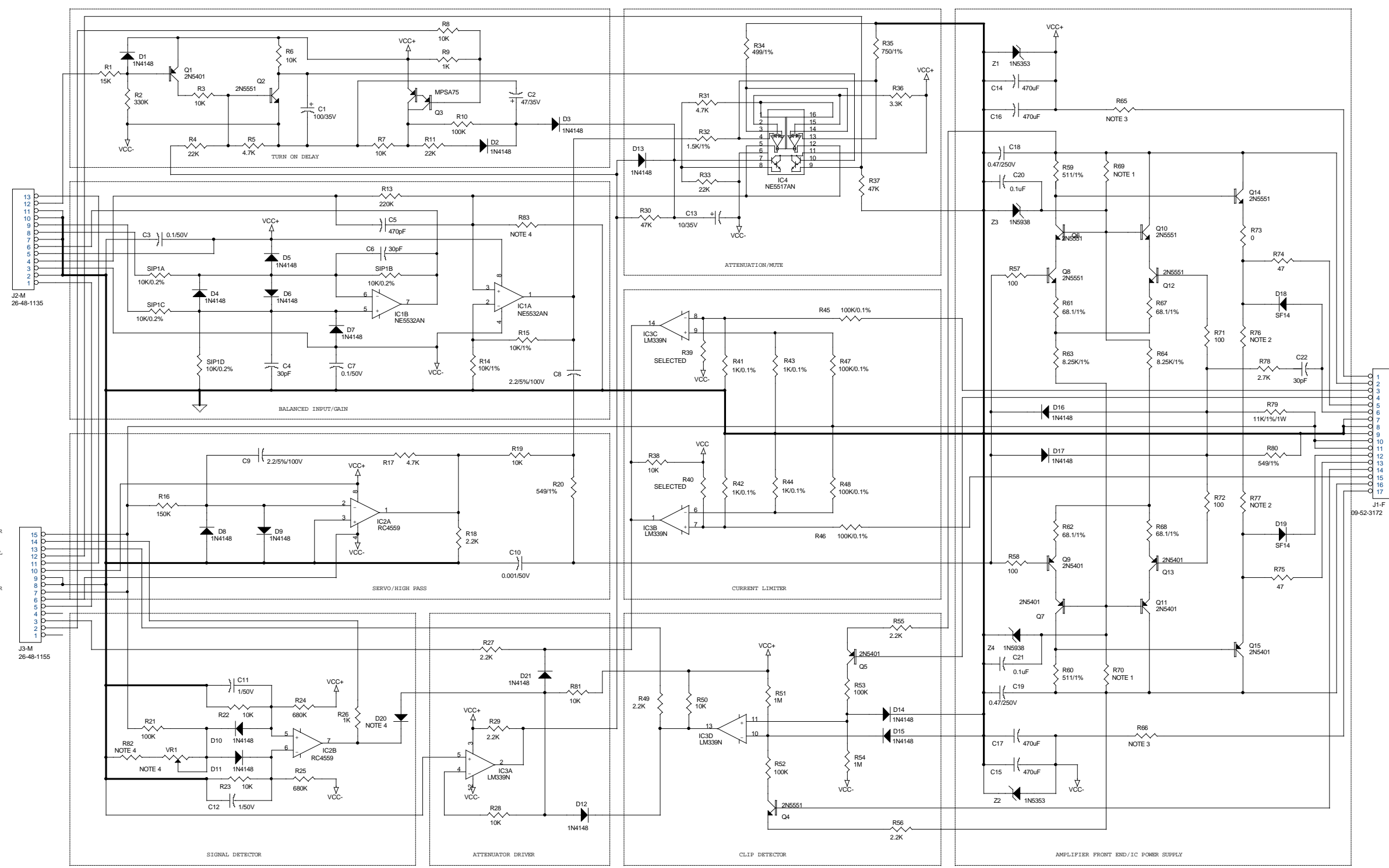
1.1K 10W ON MODEL 4601
 560 10W ON MODELS CC301
 1K 10W ON MODELS CV301, CC151, 3301

NOTE 4: R82, R83, D20, VR1 ARE USED ON MODEL MA5850 ONLY

REV NOTES 7/15/93
 (1) DELETE R12

CREST AUDIO INC.		
150 Florence Ave. Hawthorne, NJ 07506		
Title PRO-LINE PREAMP/FRONT END		
Size C	Document Number 21C1124-02	Rev 02
Date Wednesday, May 17, 2000	Sheet 1	of 1





NOTE 1: 8.2K 2W ON MODELS 8001, 7001, CV601
 6.8K 2W ON MODELS 6001, 4801
 4.3K 2W ON MODEL 4601
 5.6K 2W ON MODELS CC301/300
 3.3K 2W ON MODELS CV301, CC151, 3301
 NOTE 2: 27K 2W ON MODELS 8001, 7001, CV601
 20K 2W ON MODELS 6001, 4801, CC301
 16K 2W ON MODEL 4601
 15K 2W ON MODELS CV301, CC151, 3301

NOTE 3: 750 10W ON MODELS 8001, CV601
 680 10W ON MODEL 7001
 620 10W ON MODEL 6001
 560 10W ON MODELS 4801, MA5850
 1.1K 10W ON MODEL 4601
 560 10W ON MODELS CC301
 1K 10W ON MODELS CV301, 3301
 360 10W ON MODEL CC151

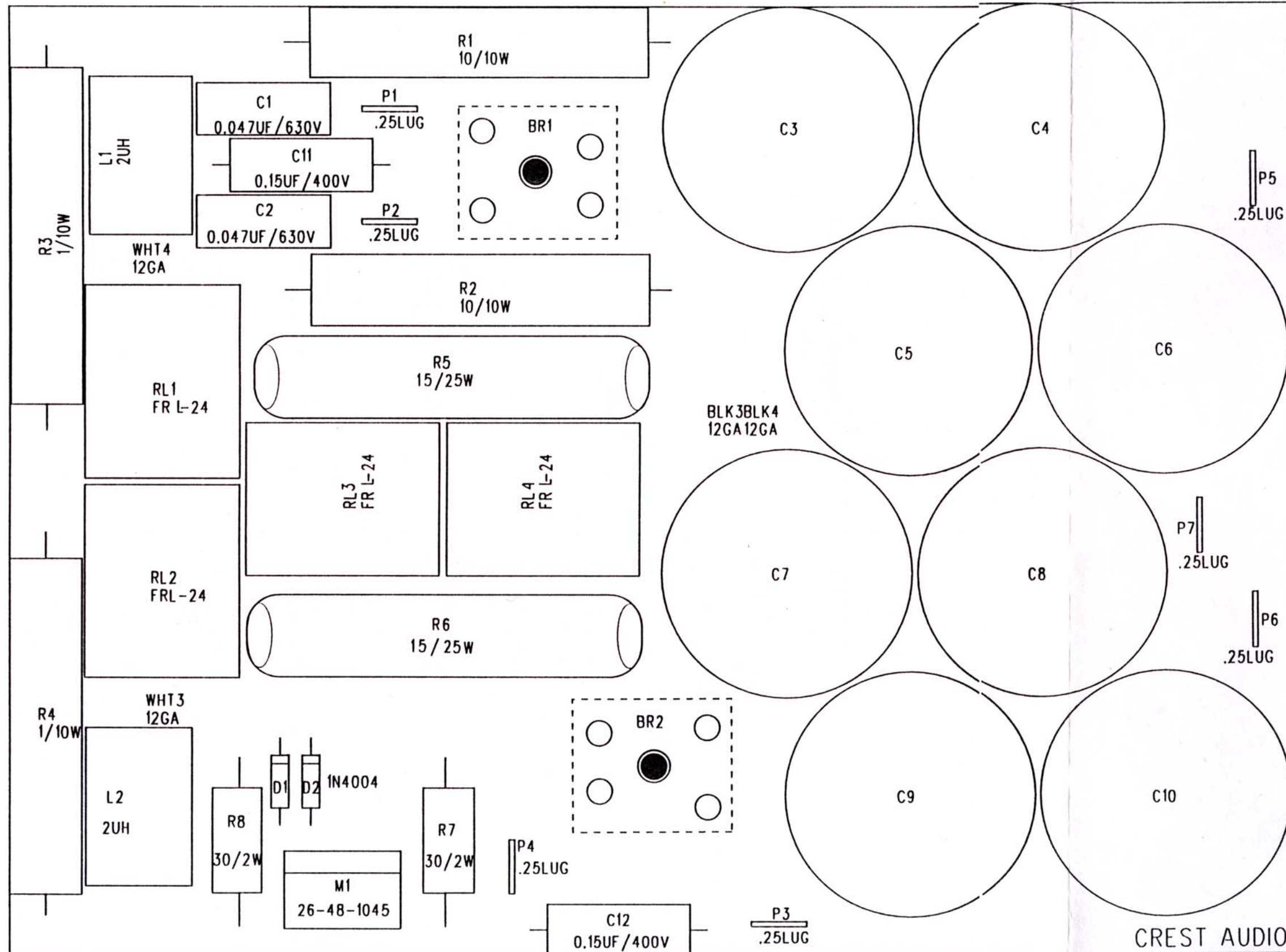
NOTE 4: R82, R83, D20, VR1 ARE USED ON MODEL MA5850 ONLY
 NOTE 5: PRIOR TO 6-2-92 R65, R66 WERE 1K/10W ON MODEL CC151

1.1K 10W ON MODEL 4601
 560 10W ON MODELS CC301
 1K 10W ON MODELS CV301, CC151, 3301
 NOTE 4: R82, R83, D20, VR1 ARE USED ON MODEL MA5850 ONLY

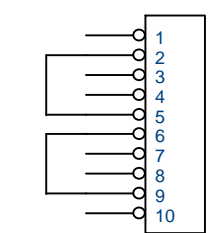
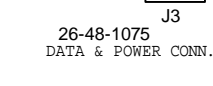
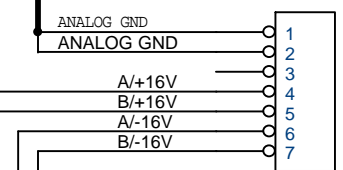
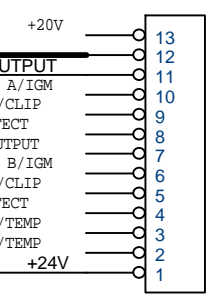
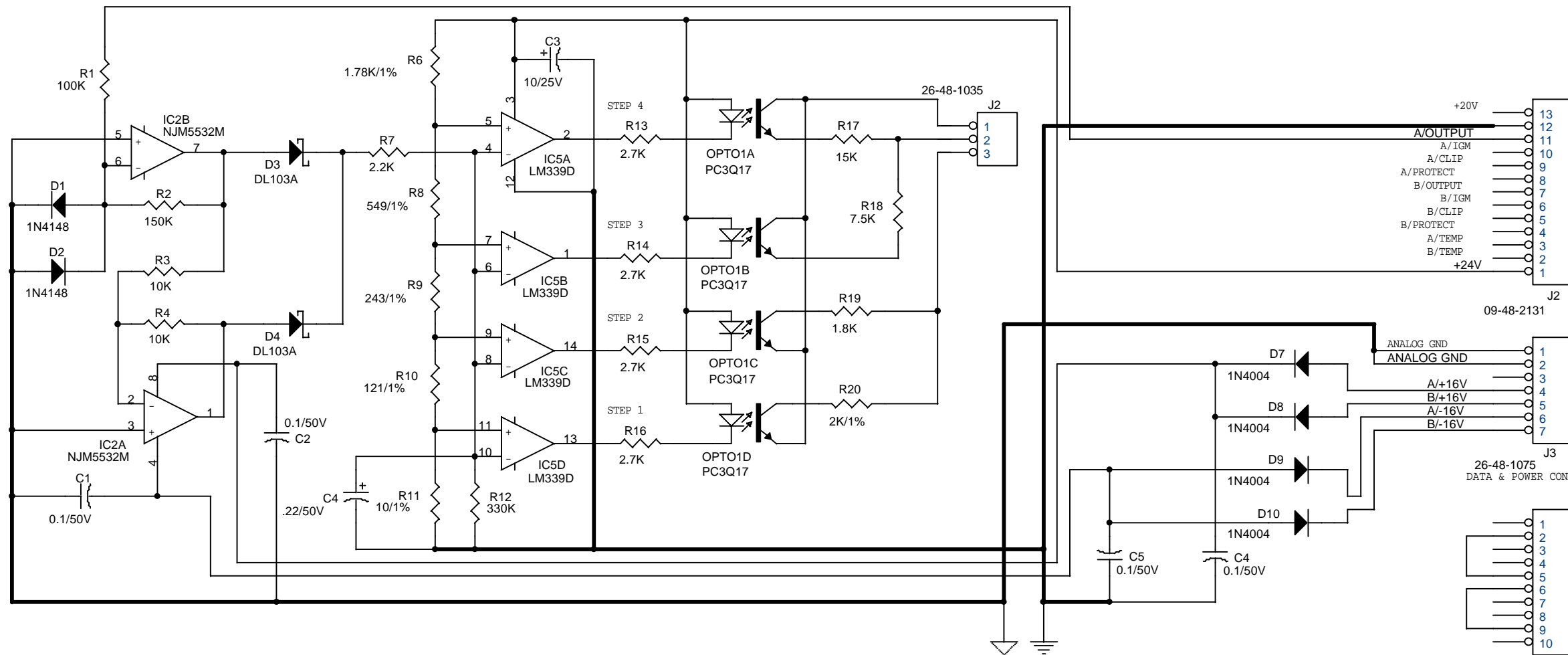
REV NOTES 7/15/93
 (1) DELETE R12

CREST AUDIO INC.		
150 Florence Ave. Hawthorne, NJ 07506		
Title PRO-LINE PREAMP/FRONT END		
Size C	Document Number 21C1124-02	Rev 02
Date Wednesday, May 17, 2000	Sheet 1	of 0

COMPONENT LAYOUT #6 7001/6001 POWER SUPPLY PCB

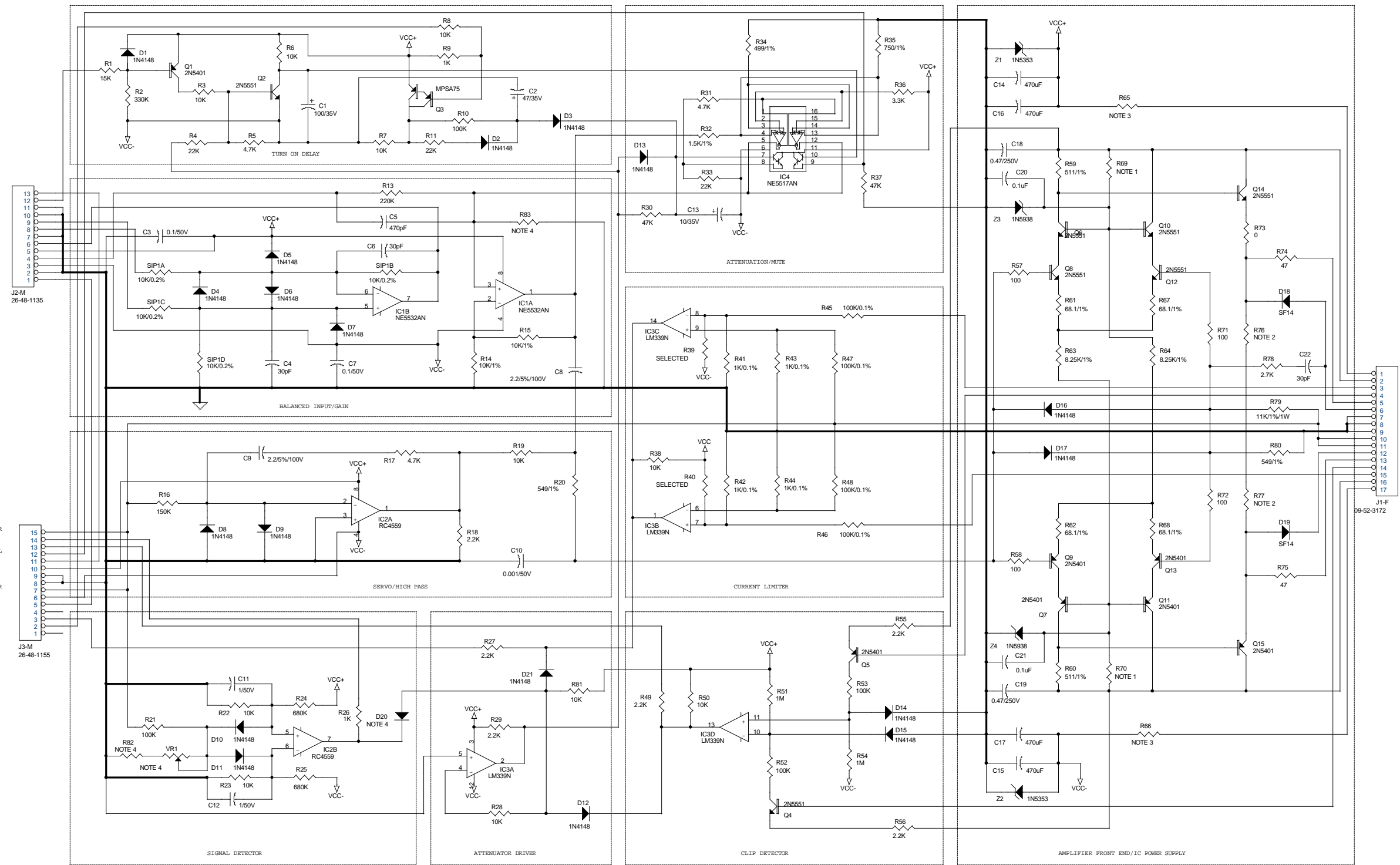


Notes: RL3,RL4,R5,R6 Not used on 6001. Br1 and Br2 are mounted on the bottom of PCB.
 C3 thru C10 are 15,000uF / 63v for 6001---10,000uF / 67v for 7001



CHANNEL B SAME AS ABOVE

CREST AUDIO		
100 EISENHOWER DRIVE PARAMUS, NJ 07652		
Title NEXSYS DATA ENCODER		
Size B	Document Number 21B1646	Rev
Date: Wednesday, May 17, 2000	Sheet 0	of 0



NOTE 1: 8.2K 2W ON MODELS 8001, 7001, CV601
 6.8K 2W ON MODELS 6001, 4801
 4.3K 2W ON MODEL 4601
 5.6K 2W ON MODELS CC301/300
 3.3K 2W ON MODELS CV301, CC151, 3301
 NOTE 2: 27K 2W ON MODELS 8001, 7001, CV601
 20K 2W ON MODELS 6001, 4801, CC301
 16K 2W ON MODEL 4601
 15K 2W ON MODELS CV301, CC151, 3301

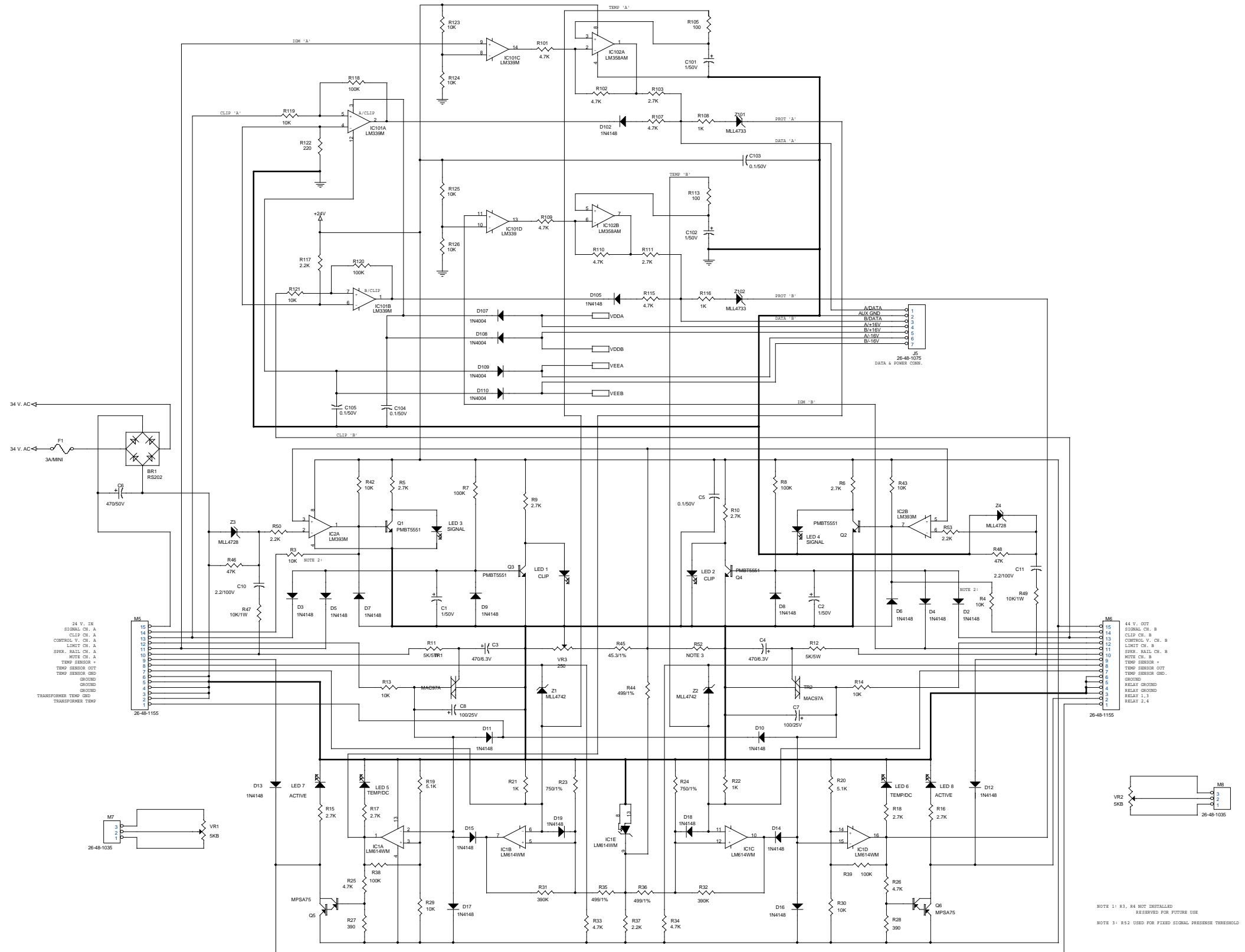
NOTE 3: 750 10W ON MODELS 8001, CV601
 680 10W ON MODEL 7001
 620 10W ON MODEL 6001
 560 10W ON MODELS 4801, MA5850
 1.1K 10W ON MODEL 4601
 560 10W ON MODELS CC301
 1K 10W ON MODELS CV301, 3301
 360 10W ON MODEL CC151
 NOTE 4: R82, R83, D20, VR1 ARE USED ON MODEL MA5850 ONLY
 NOTE 5: PRIOR TO 6-2-92 R65, R66 WERE 1K/10W ON MODEL CC151

1.1K 10W ON MODEL 4601
 560 10W ON MODELS CC301
 1K 10W ON MODELS CV301, CC151, 3301
 NOTE 4: R82, R83, D20, VR1 ARE USED ON MODEL MA5850 ONLY

REV NOTES 7/15/93
 (1) DELETE R12

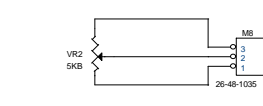
CREST AUDIO INC.		
150 Florence Ave. Hawthorne, NJ 07506		
Title: PRO-LINE PREAMP/FRONT END		
Size: C	Document Number: 21C1124-02	Rev: 02
Date: Friday, May 19, 2000	Sheet: 1	of 0

02-10-94
 CHANGE R101, R109 FROM 15K TO 4.7K.
 CHANGE R103, R111 FROM 2.2K TO 4.7K.
 CHANGE R107, R113 FROM 1.1K TO 4.7K.
 CHANGE R108, R116 FROM 2.2K TO 1K.
 CHANGE R101, R109 FROM MLL4733 TO MLL4731.

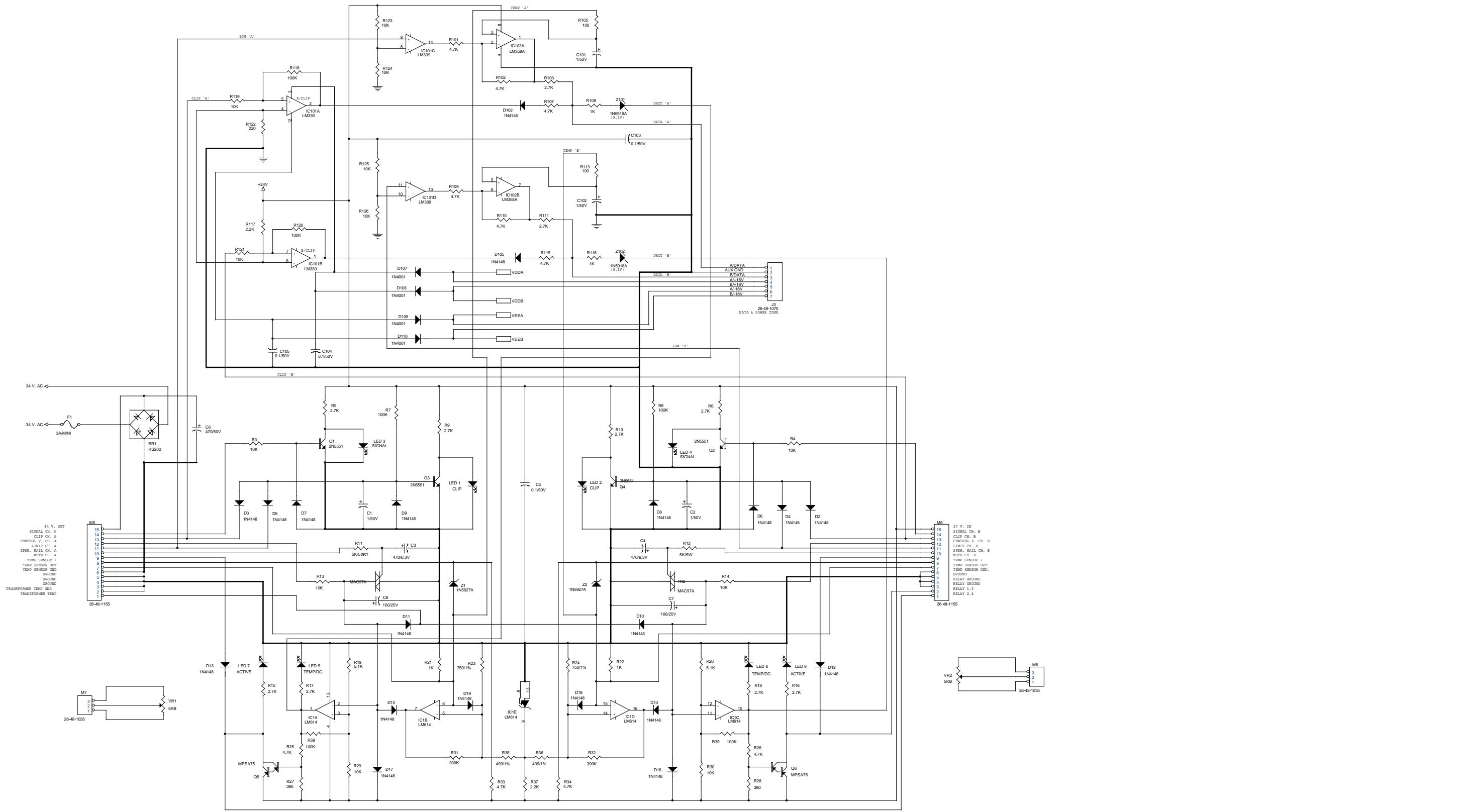


24 V IN
 SIGNAL CH. A
 CLIP CH. A
 CONTROL V. CH. A
 LIMIT CH. A
 SPER. FAIL CH. A
 NOTE CH. A
 TEMP SENSOR +
 TEMP SENSOR OUT
 TEMP SENSOR GND
 GROUND
 GROUND
 GROUND
 TRANSFORMER TEMP GND
 TRANSFORMER TEMP

M8
 15 44 V. OUT
 14 SIGNAL CH. B
 13 CLIP CH. B
 12 CONTROL V. CH. B
 11 LIMIT CH. B
 10 SPER. FAIL CH. B
 9 NOTE CH. B
 8 TEMP SENSOR +
 7 TEMP SENSOR OUT
 6 TEMP SENSOR GND.
 5 GROUND
 4 RELAY GROUND
 3 RELAY GROUND
 2 RELAY 1, 3
 1 RELAY 2, 4



NOTE 1: R3, R4 NOT INSTALLED
 RESERVED FOR FUTURE USE
 NOTE 3: R32 USED FOR FIXED SIGNAL PRESENCE THRESHOLD



12-14-93

CHANGE R101, R109 FROM 10K TO 4.7K.
 CHANGE R103, R113 FROM 2.2K TO 3.3K.
 CHANGE R107, R115 FROM 3.3K TO 4.7K.
 CHANGE R108, R116 FROM 2.2K TO 3.3K.
 CHANGE R101, R102 FROM 10K TO 100K.

NOTE 1

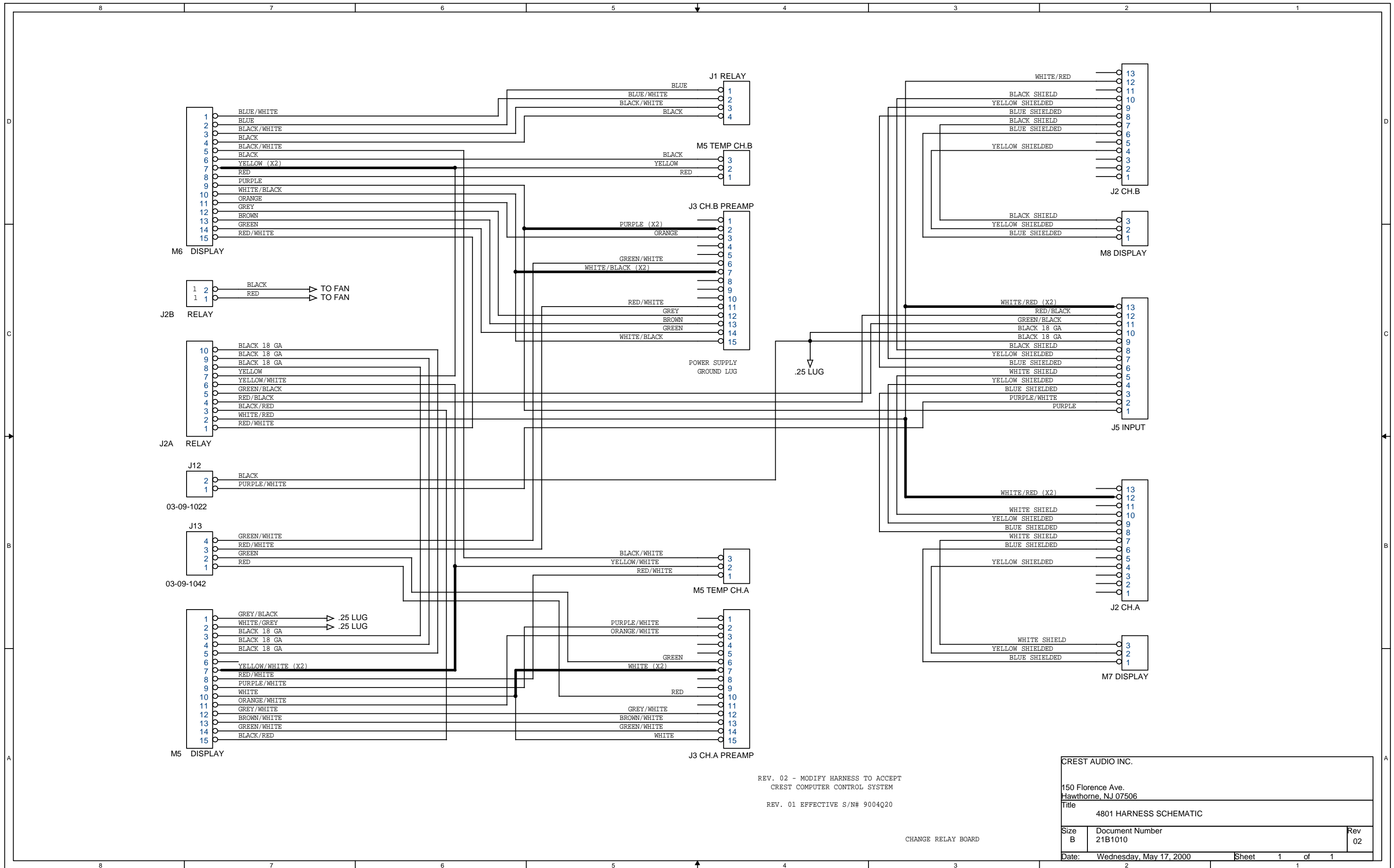
R23, R24 WILL CHANGE TO 1K/1K WITH IUL APPROVAL.

34 V. AC
 34 V. AC
 34 V. OUT
 SIGNAL CH. A
 CLIP CH. A
 CONTROL V. CH. A
 LIMIT CH. A
 SWR. BALD CH. A
 MUTE CH. A
 TEMP SENSOR +
 TEMP SENSOR OUT
 TEMP SENSOR GND
 GROUND
 TRANSFORMER TEMP GND
 TRANSFORMER TEMP

33
 26-48-1075
 DATA & POWER CONN.

27 V. DC
 SIGNAL CH. B
 CLIP CH. B
 CONTROL V. CH. B
 LIMIT CH. B
 SWR. BALD CH. B
 MUTE CH. B
 TEMP SENSOR +
 TEMP SENSOR OUT
 TEMP SENSOR GND
 GROUND
 RELAY GROUND
 RELAY 1, 2
 RELAY 3, 4

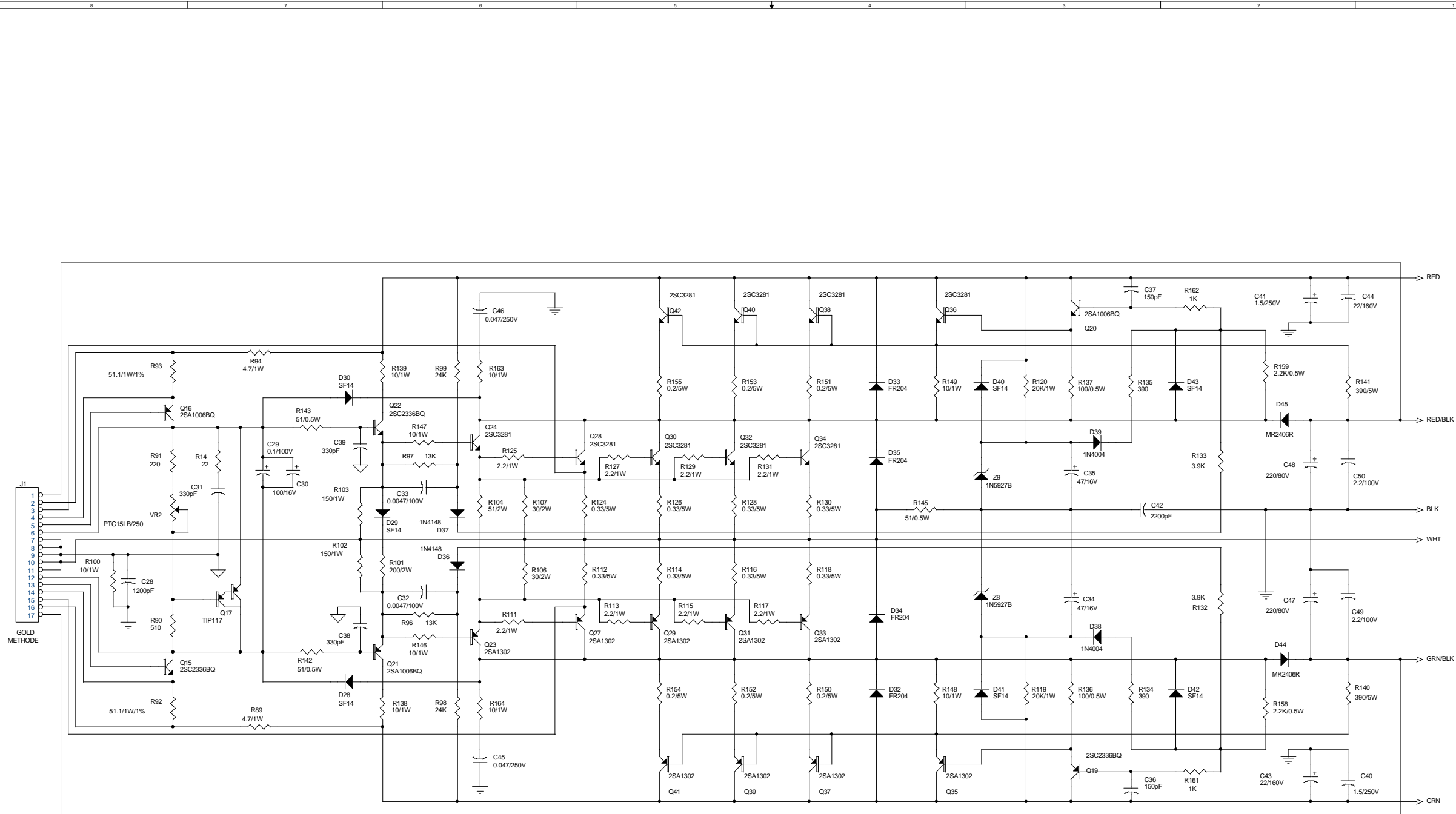
M8
 26-48-1035



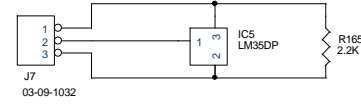
REV. 02 - MODIFY HARNESS TO ACCEPT
 CREST COMPUTER CONTROL SYSTEM
 REV. 01 EFFECTIVE S/N# 9004Q20

CHANGE RELAY BOARD

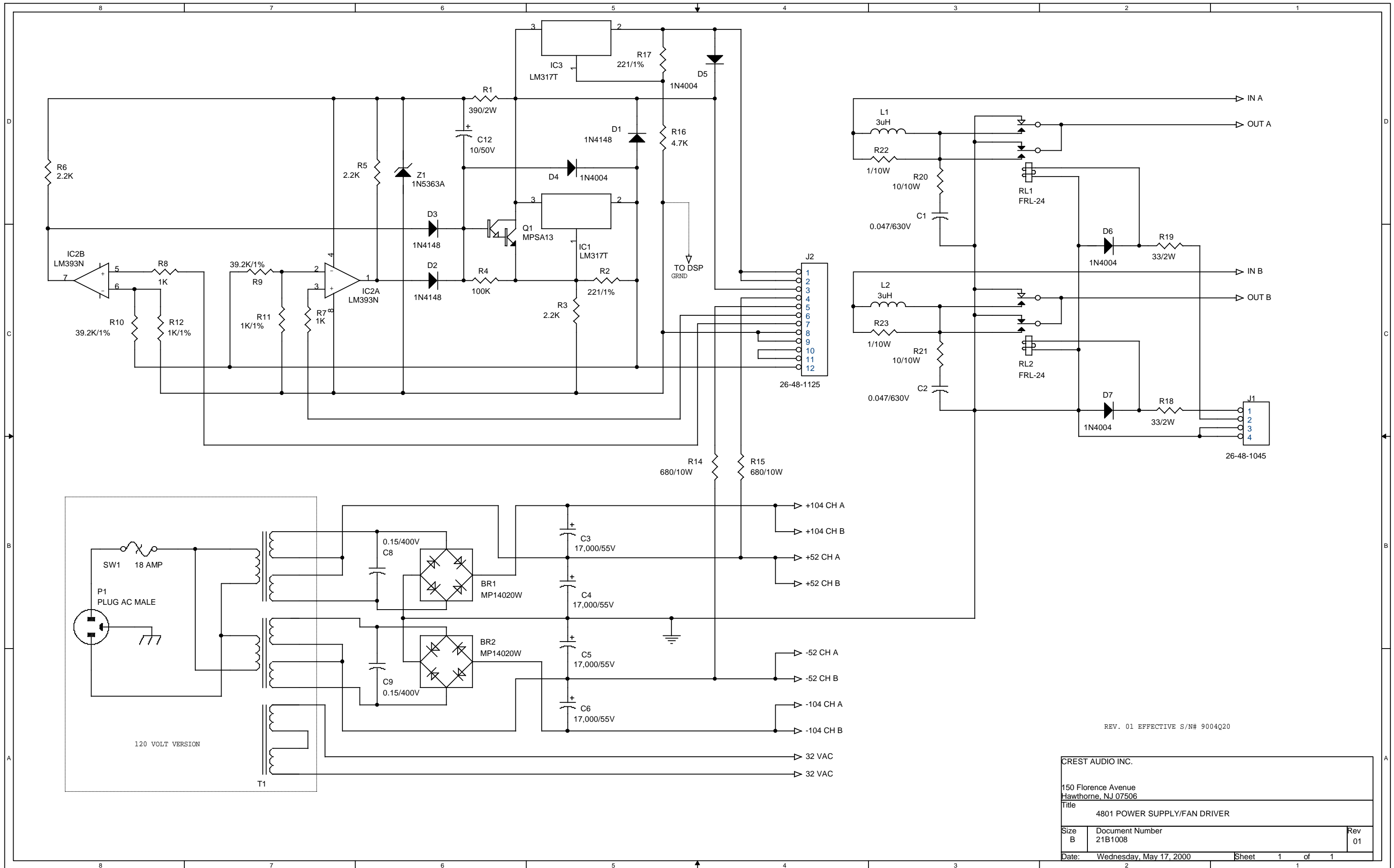
CREST AUDIO INC.		
150 Florence Ave. Hawthorne, NJ 07506		
Title 4801 HARNESS SCHEMATIC		
Size B	Document Number 21B1010	Rev 02
Date: Wednesday, May 17, 2000	Sheet 1	of 1



NOTE: Q30, Q31, NOT USED ON MODELS 4801, CC151
 R98, R99 ARE 39K ON MODEL CV601



CREST AUDIO INC.		
150 Florence Ave. Hawthorne, NJ 07506		
Title OUTPUT 4801/6001/7001/CC151/CC301/CC601		
Size C	Document Number 21CO951	Rev
Date: Wednesday, May 17, 2000	Sheet 1	of 1



REV. 01 EFFECTIVE S/N# 9004Q20

CREST AUDIO INC.		
150 Florence Avenue Hawthorne, NJ 07506		
Title 4801 POWER SUPPLY/FAN DRIVER		
Size B	Document Number 21B1008	Rev 01
Date: Wednesday, May 17, 2000	Sheet 1	of 1