

MODEL	R SELECT	LAST REF	DES	NOTES:	REV	ECO	DESCRIPTION	DATE
4000								
5000	2K, 10%							

USED	NOT USED
R26	
C5	
CR6	
LED6	
OA5	
T8A	

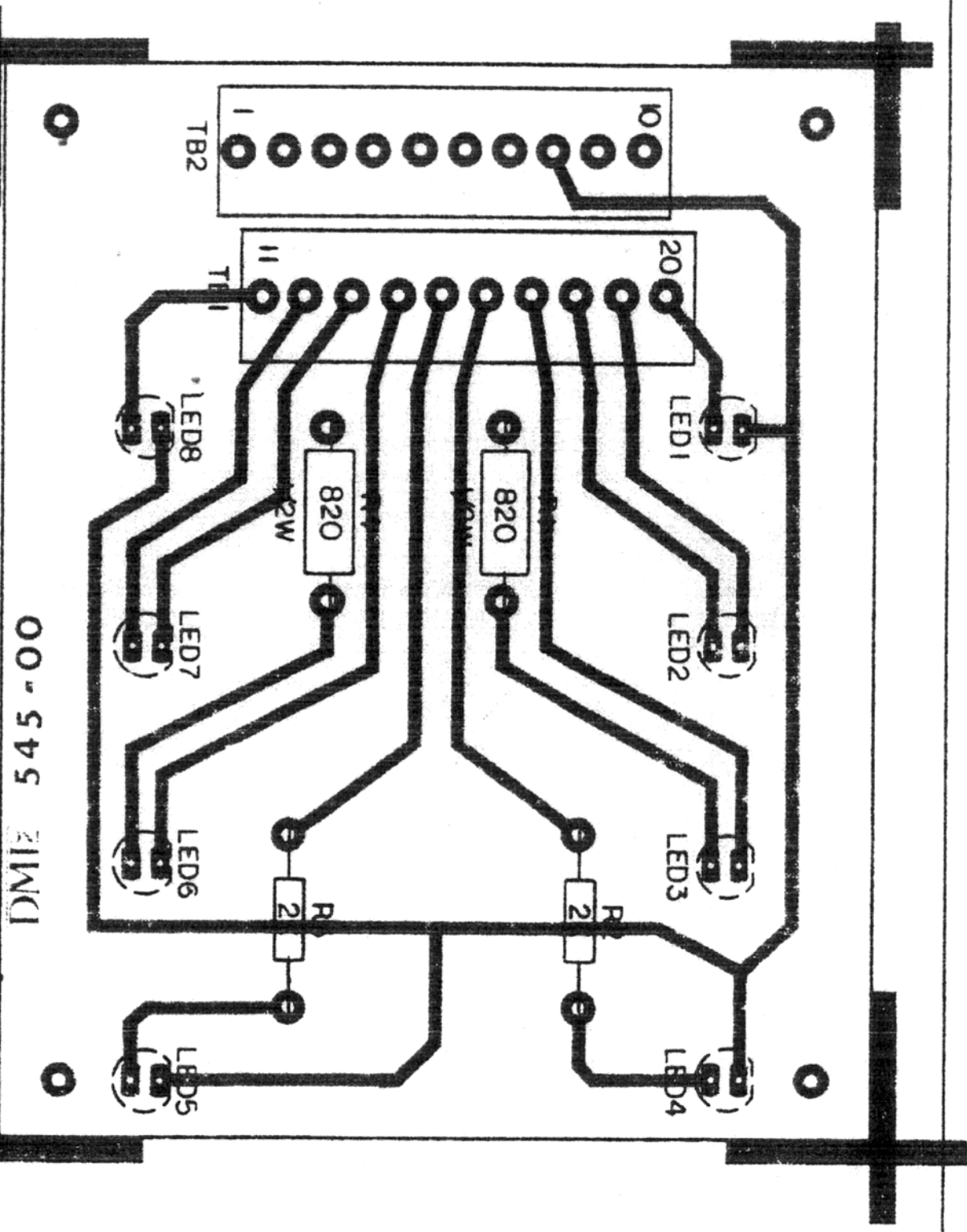
**DALLAS MUSIC INDUSTRIES**  
 HAWTHORNE, N.J. 07035

DATE: 04/26/82

CHEST: HORNDA 4000 & 5000 SERIES  
 POWER AMPLIFIERS  
 MAIN WIRING E.C.L.B.

SCALE: -- DO NOT SCALE DRAWING

21039A1



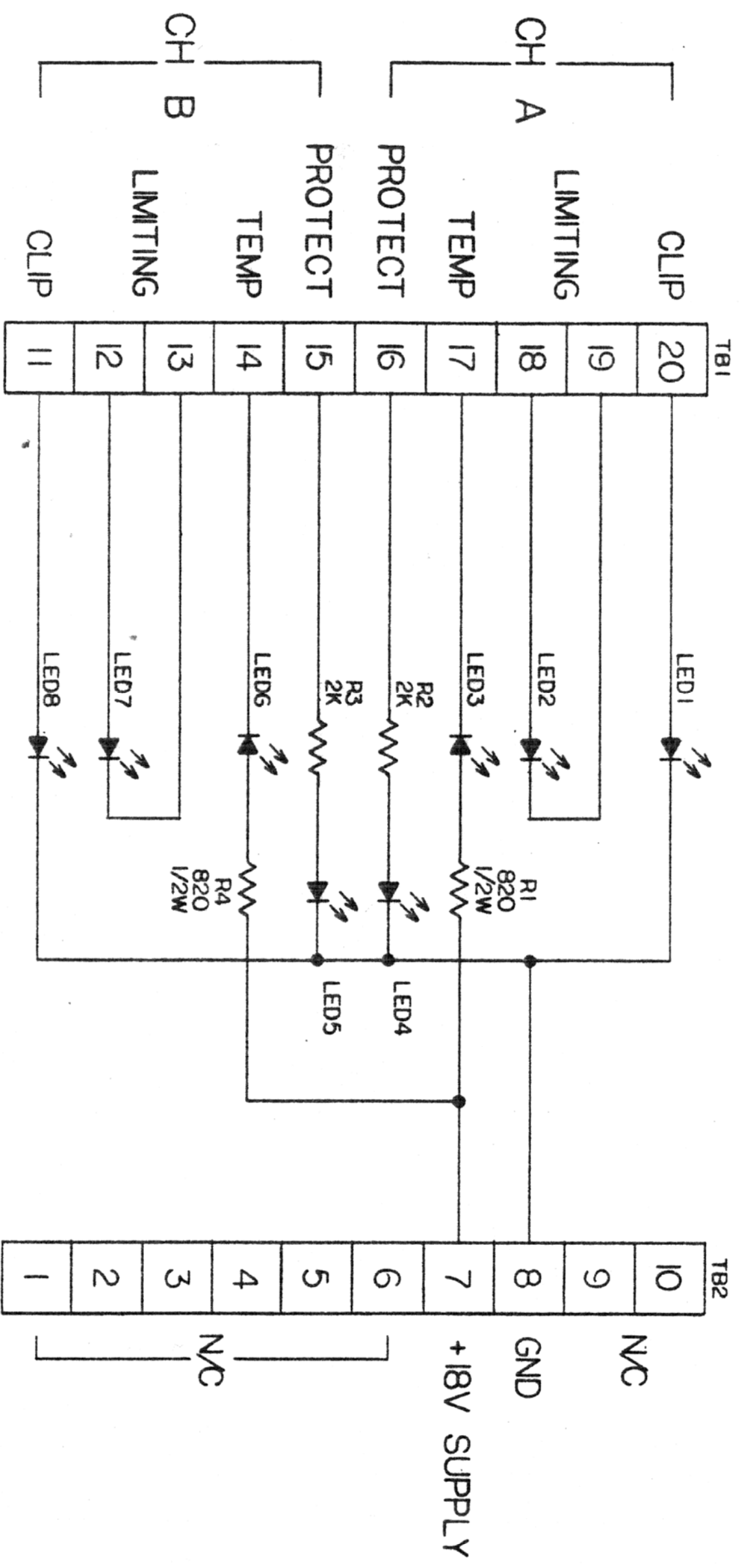
NOTES:  
 1) LEDS MOUNT ON SOLDER SIDE  
 2) LEDS ARE RED

REV	ECO	DESCRIPTION	DATE

DALLAS MUSIC INDUSTRIES  
 HAWTHORNE, N.J. 07506

DWR: JJD	DATE: 04/28/82	CREST:
APP: <i>[Signature]</i>	DATE: <i>[Signature]</i>	MODEL 5001 SERIES POWER AMPLIFIER
TOL: ±.02	Z: ±10	LED PROTECT P.C.B.
FR: ±.01	FRACT: ±1/64	ASSEMBLY DWG.
MATL:		
FINISH:		

DWG. NO.: 2202545	REV: 00
SCALE: 2:1	DO NOT SCALE DRAWING



LAST REF	DES	NOTES:
USED	NOT USED	1) LEDs ARE RED
R4		2) N/C - NO CONNECTION
LED8		3) R2 & 3 ARE 1/4W
TB2		

REV	ECO	DESCRIPTION	DATE

**DALLAS MUSIC INDUSTRIES**  
HAWTHORNE, N.J. 07506

DWN: JJD	DATE: 7/28/82	CREST:
APP: <i>[Signature]</i>	DATE: <i>[Signature]</i>	MODEL 5901 SERIES POWER AMPLIFIER
TOL: 1.02	4: ±1°	LED PROTECT P.C.B.
FRACT: 1/64		

MATL: \_\_\_\_\_

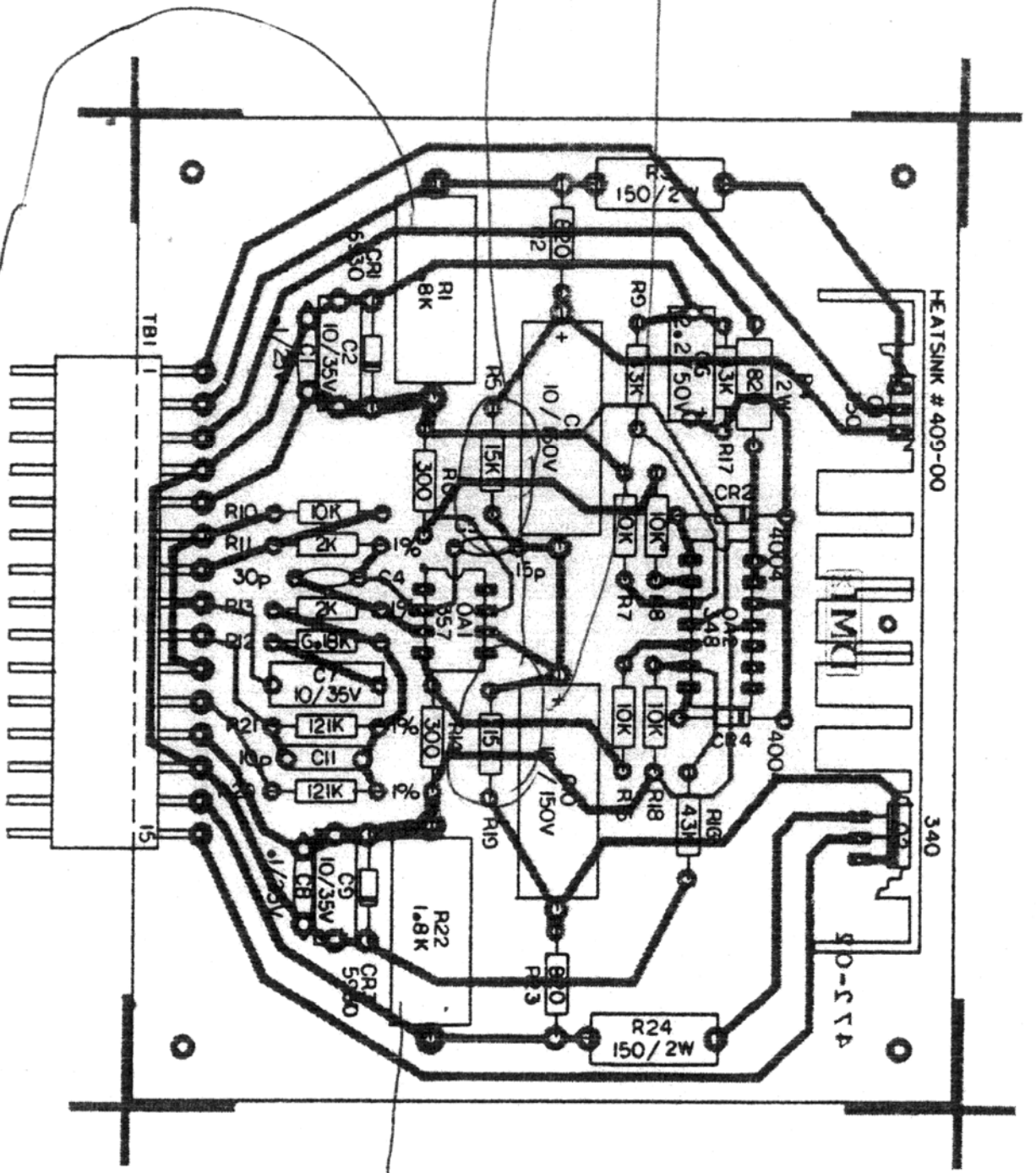
FINISH: \_\_\_\_\_

DWG. No.: 2102545

SCALE: -- DO NOT SCALE DRAWING

REV: 00

R5 + R19  
15K 1w  
Metal oxide



R1 + R22  
2K 8w

LAST REF DES NOTES:

USED	NOT USED
R24	
C11	
CR4	
OA2	
O2	

REV ECO DESCRIPTION

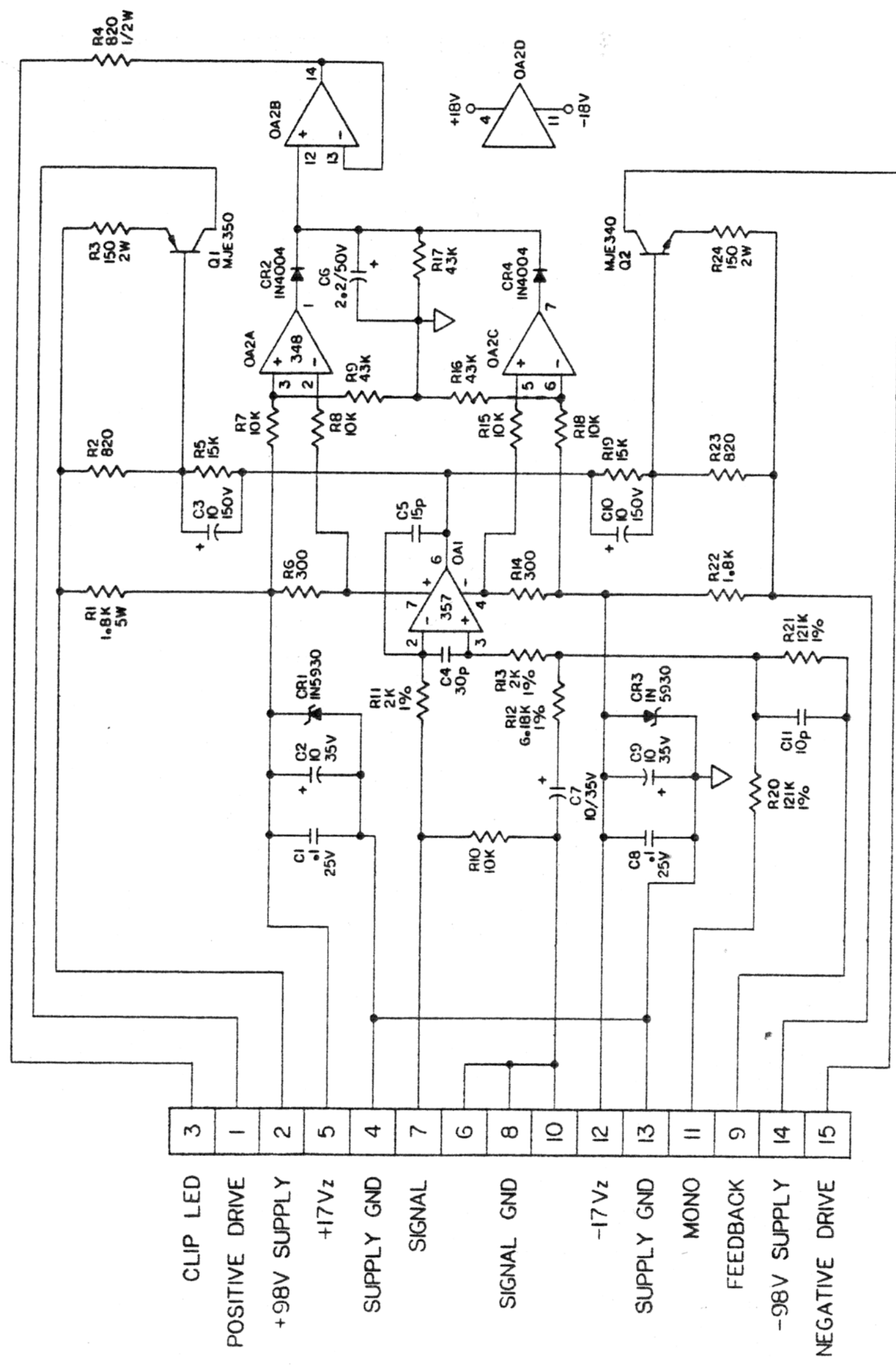
DATE

DALLAS MUSIC INDUSTRIES  
HARTFORD, N.J. 07105

OWN.	DATE
JPD	7/6/82
APR	7/6/82
TOL	8 3 03
APP	2 1 0
REV	01
FRAC	2 1/4

CREST:  
MODELS 5000 & 5001 SERIES  
POWER AMPLIFIERS  
FRONT END P.C.B.  
ASSEMBLY DWG.

DWG NO: 2203472  
SCALE: 2:1  
REV: 00  
DO NOT SCALE DRAWING



- 3 CLIP LED
- 1 POSITIVE DRIVE
- 2 +98V SUPPLY
- 5 +17Vz
- 4 SUPPLY GND
- 7 SIGNAL
- 6 SIGNAL GND
- 8 SIGNAL GND
- 10 -17Vz
- 12 SUPPLY GND
- 13 MONO
- 11 FEEDBACK
- 9 -98V SUPPLY
- 14 NEGATIVE DRIVE
- 15

LAST REF DES NOTES:

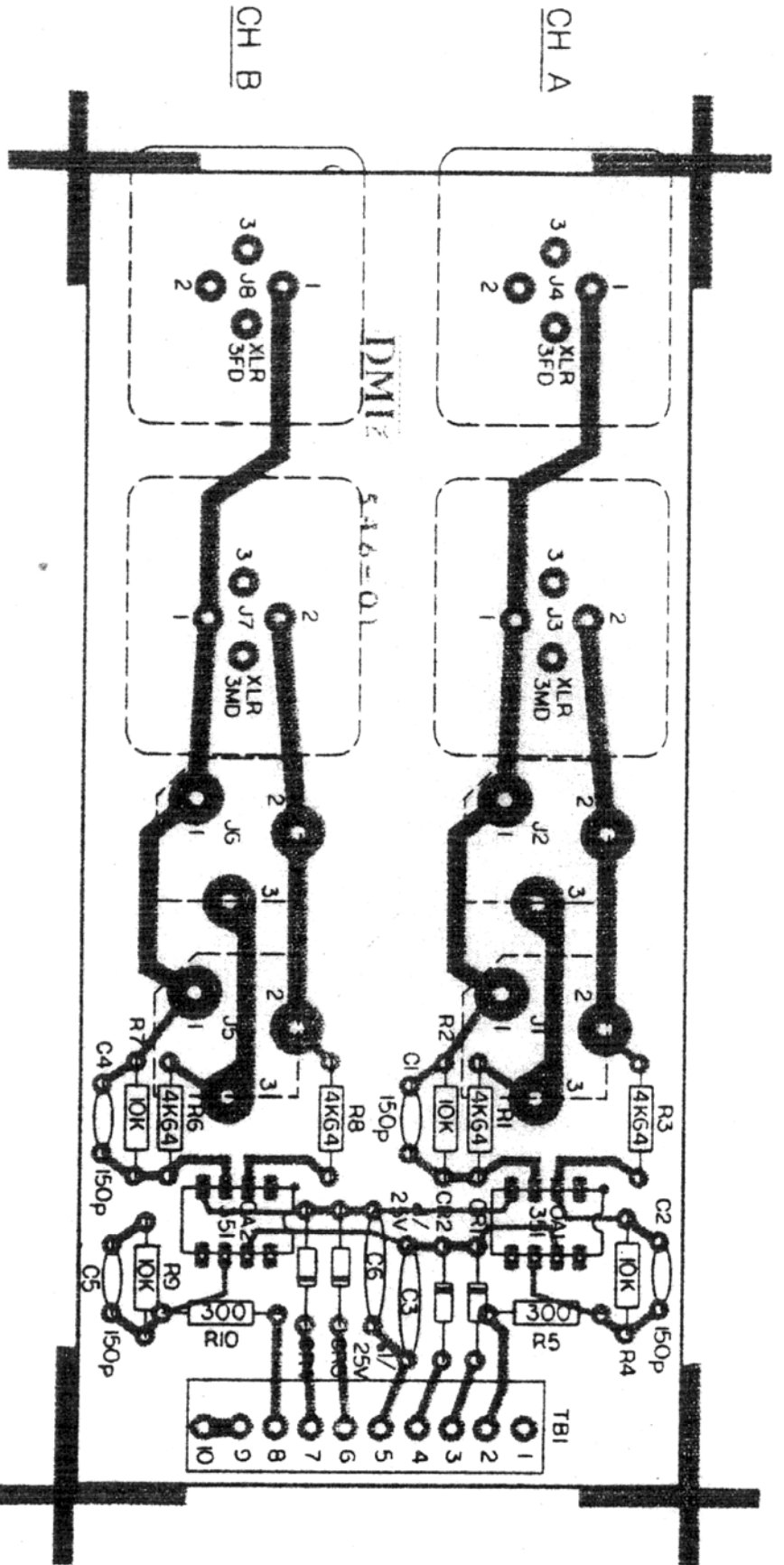
USED	NOT USED
R24	
C11	
CR4	
OA2	

REV ECO DESCRIPTION DATE

OWN: JJD	DATE: 9/25/82	CREST:
APP: [Signature]	DATE: 6-27-84	MODELS 5000 & 5001 SERIES
TOL: 2 OR 4 2 1'	*** 2.01 PRAC 2 1/64	POWER AMPLIFIERS
		FRONT END P.C.B.

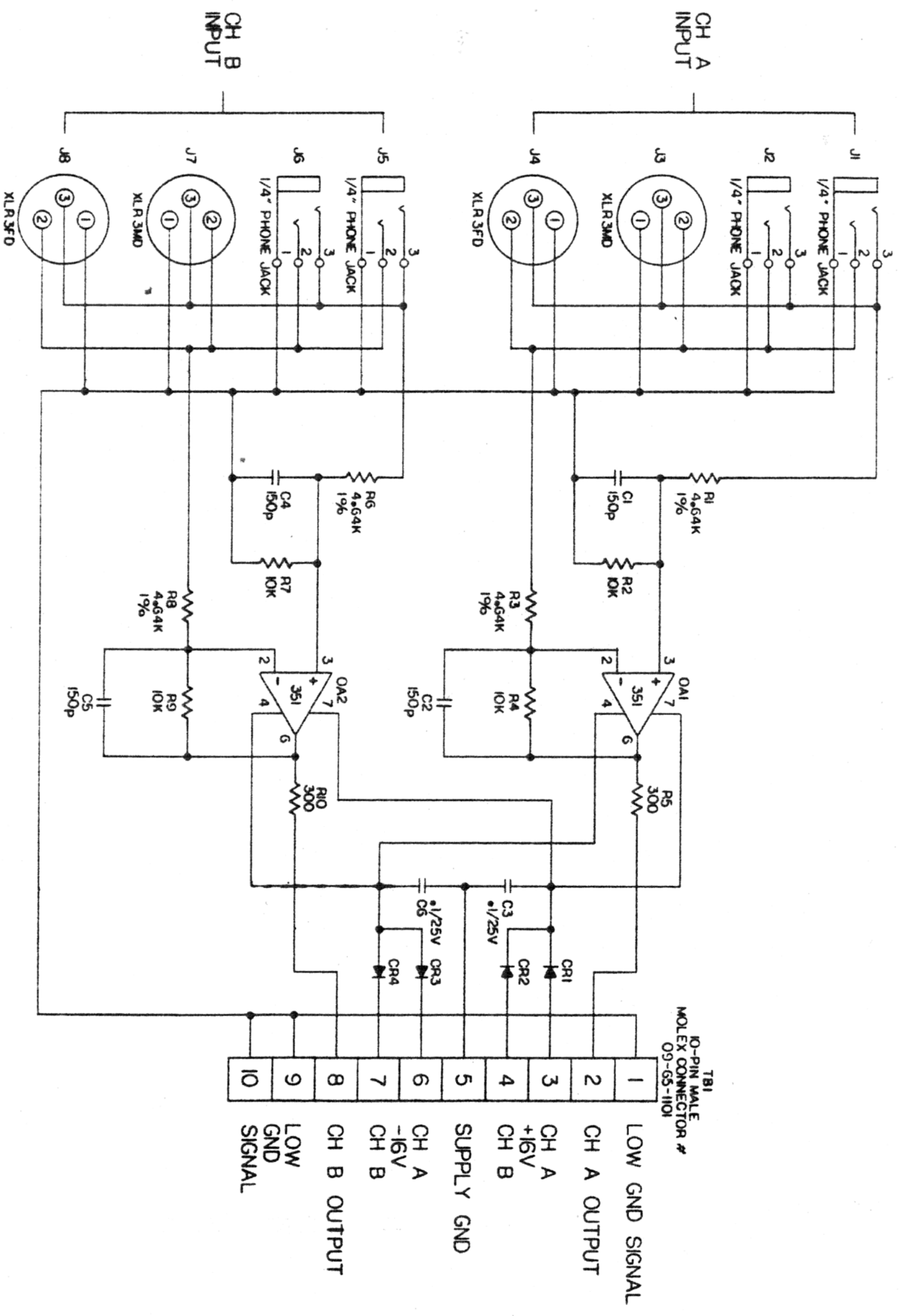
DALLAS MUSIC INDUSTRIES  
HAWTHORNE, N.J. 07606





LAST REF DES	NOT USED	NOT USED	NOTES:	REV	ECO	DATE
USED			1) ALL DIODES, CRI-48 IN4004			
R10			2) J1,2,5,6 ARE 1/4" PHONE JACKS, PART NO N112BPC			
U6						
CR4						
J8						
OA2						
TBI						

DALLAS MUSIC INDUSTRIES		DATE		DATE		DATE	
HAWTHORNE, N.J. 07106		JJD	7/7/82				
CREST:		APP	DATE	DATE		DATE	
MODELS 5000 & 5001 SERIES			7/2/82				
POWER AMPLIFIERS		TOL	2 02				
INPUT P.C.B.		***	2 01				
ASSEMBLY DMC.		FRACT 2 1/4					
FINISH		MATERIAL		SCALE		DRAWING	
DWG NO. 2203546		SCALE 2:1		NO NOT SCALE DRAWING		REV 00	



LAST REF DES NOT USED

USED	NOT USED
R10	
06	
CR4	
J8	
OAI2	
TBI	

NOTES:

- 1) 1/4" PHONE JACKS, J1,2,5,6 & NI12BPC
- 2) RESISTORS & 1/4W
- 3) DIODES IN4004

REV	ECO	DESCRIPTION	DATE

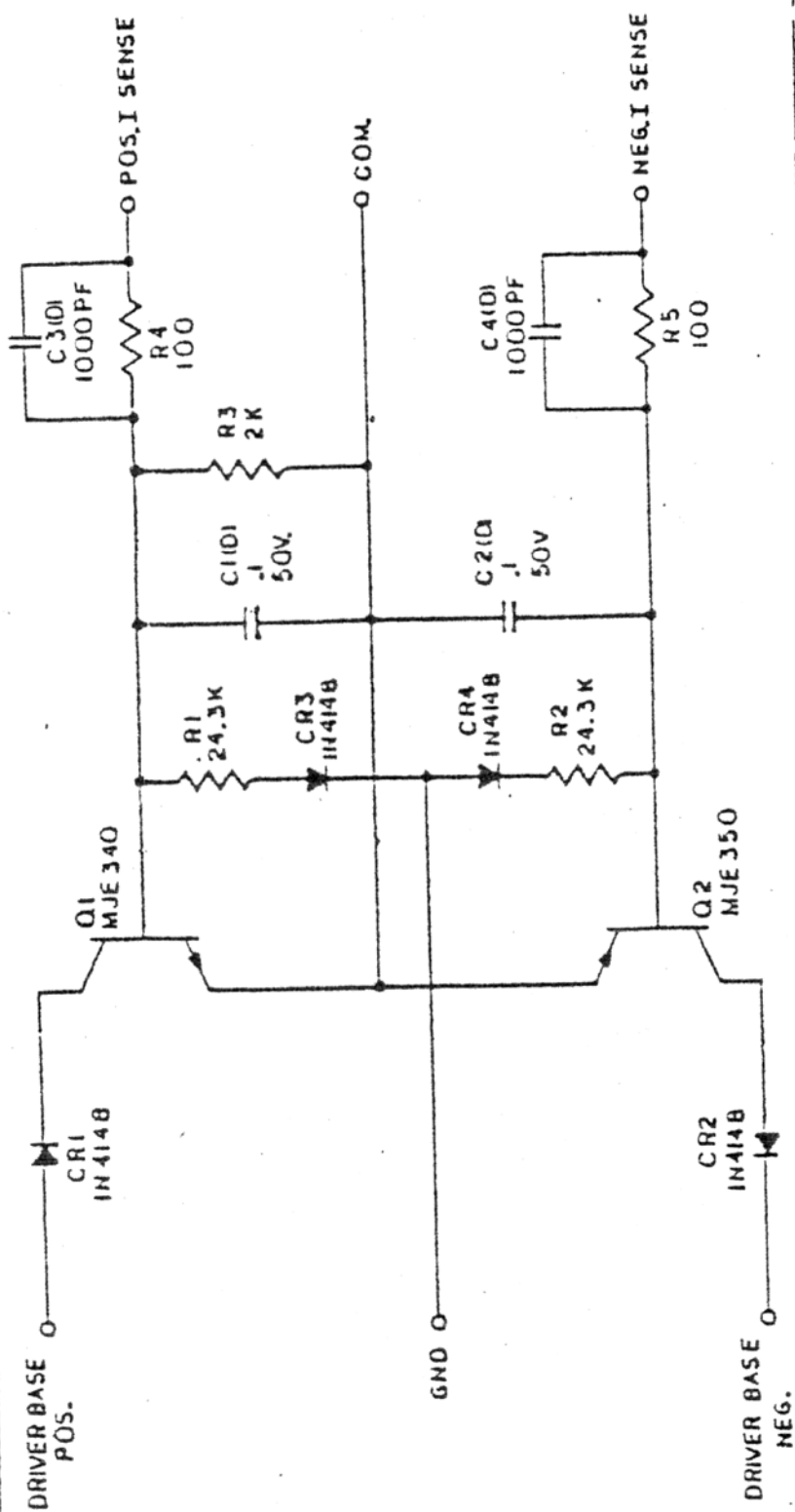
DALLAS MUSIC INDUSTRIES  
NAWTHORNE, N.J. 07798

OWN	JDB	DATE	9/9/82
APP.		DATE	2-2-82
TOL.			4 ±1"
REV.			REV 2 01 PRACT 5/84

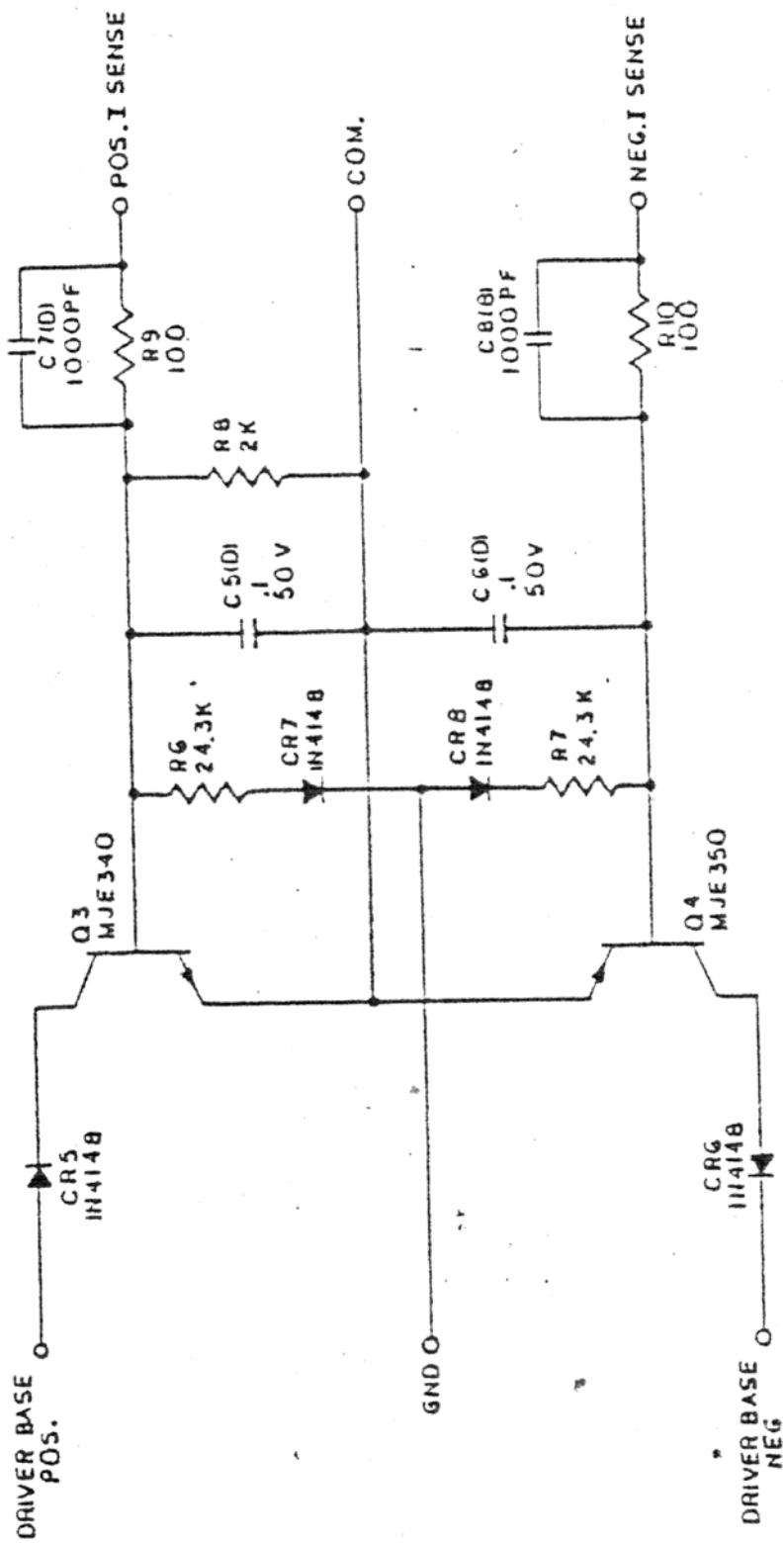
CREST:  
MODELS 3000 & 5001 SERIES  
POWER AMPLIFIERS  
LHVT E.C.L.

DCSERVATEC  
DWB N.  
2103546

SCALE --- DO NOT SCALE DRAWING



CHA A



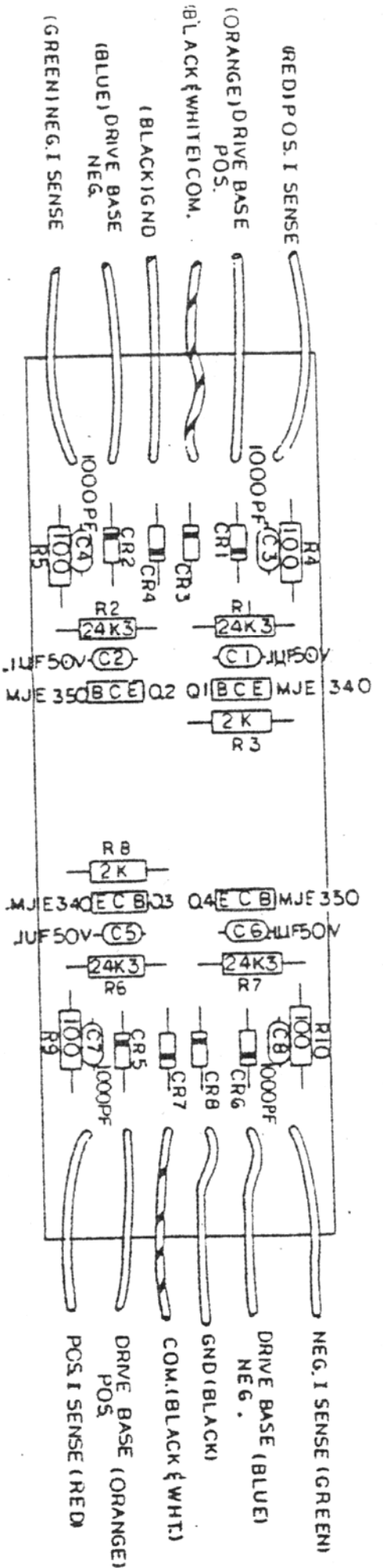
CHA B

LAST REV	DES
USED	NOT USED
C B	
CR 8	
Q 4	
R 10	

NOTES  
 1) ALL RESISTORS 1/4W, UNLESS OTHERWISE SPECIFIED  
 2) ALL CAPACITORS 10% TOL, UNLESS OTHERWISE SPECIFIED

REV	DESCRIPTION	DATE





CHA A

CHA B

CCMP, NOT INSTALLED BY  
OUTSIDE VENDOR

LAST REV DES.  
USED NOT USED

CB  
CR8  
Q4  
R10

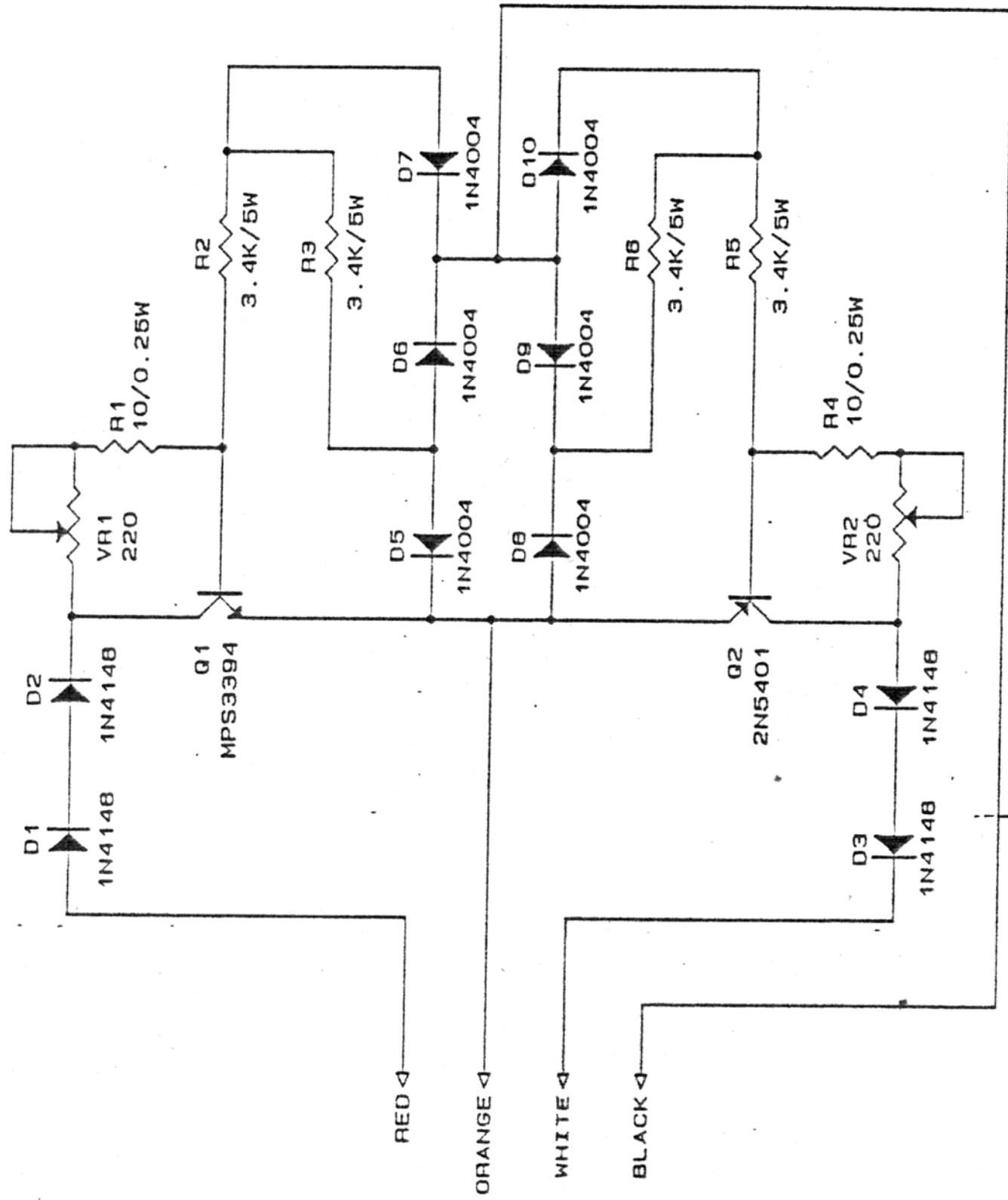
NOTES  
1) ALL RESISTORS 1/4W, UNLESS OTHERWISE SPECIFIED  
2) ALL DIODES IN 414 B, UNLESS OTHERWISE SPECIFIED

REV DESCRIPTION  
01 CHANGE Q1 & Q3 FROM MJE 180 TO MJE 340 - Q2 & Q4 FROM MJE 170 TO MJE 350

DATE  
10-26-83

DALLAS MUSIC INDUSTRIES  
HAWTHORNE, N.J. 07096  
DATE: 8/15/83  
APP: E.C. DATE: 2/14/84  
TOL: 1.0 ± .02  
FRAC: 1/64  
MATERIAL:  
MODEL: 5000/5001 SERIES  
POWER AMP. PLATE  
V.L. LITTING P.C.B.  
ASSEMBLY DMG.  
DWG NO.: 2205610  
SCALE: 2:1 DO NOT SCALE DRAWING

REV: 01

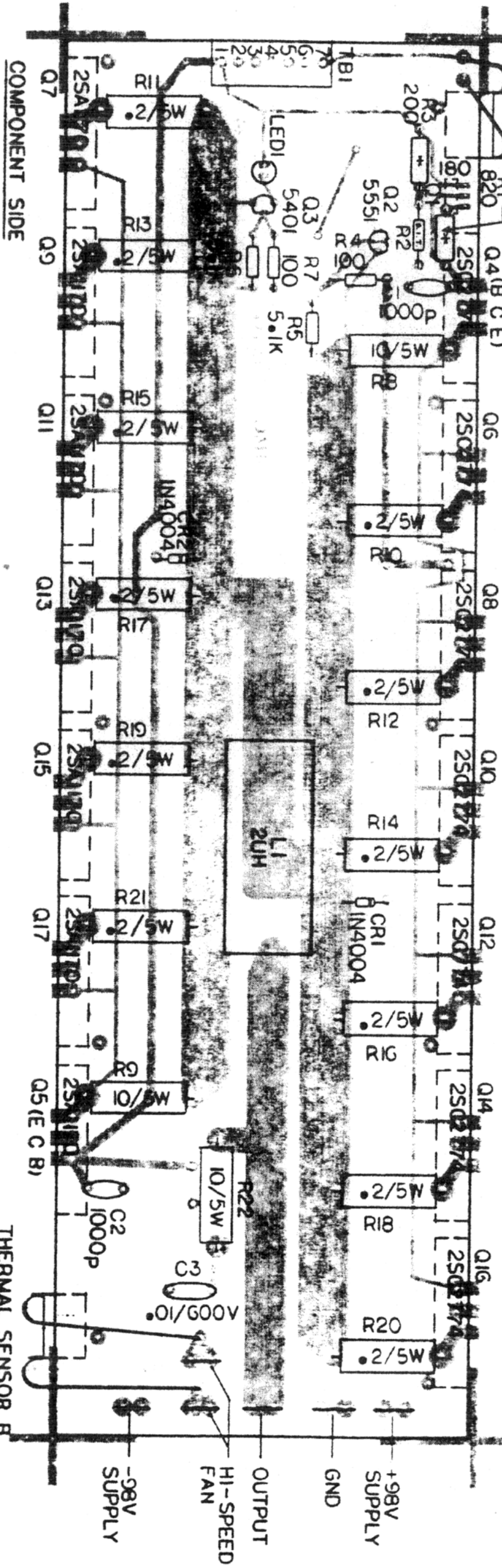


CREST AUDIO	
HAWTHORNE, NJ 07608	
Title	5000/5001 2 OHM LIMITER PCB
Size	Document Number
A	2101610
REV	01
Date:	Apr 11 1989
3	Sheet 1 of 1

8 7 6 5 4 3 2 1

8 7 6 5 4 3 2 1

2450-87-280  
CLOSERS AT 194°F  
THERMAL SENSOR A



THERMAL SENSOR B  
CLOSERS AT 122°F  
2450-87-281

DOT 3.45 Res: 5.1K

LAST REF DES NOTES:

- 1) + DENOTES 1/2W RESISTOR (R1 & R3)
- 2) THERMAL SENSORS & Q1,4-17 MOUNT ON HEATSINK UNDER P.C.B.
- 3) R2, D.o.I.T., DETERMINE IN TEST

USED	NOT USED
R22	
C3	
CR2	
L1	
LED1	
Q17	

REV	ECO	DESCRIPTION	DATE

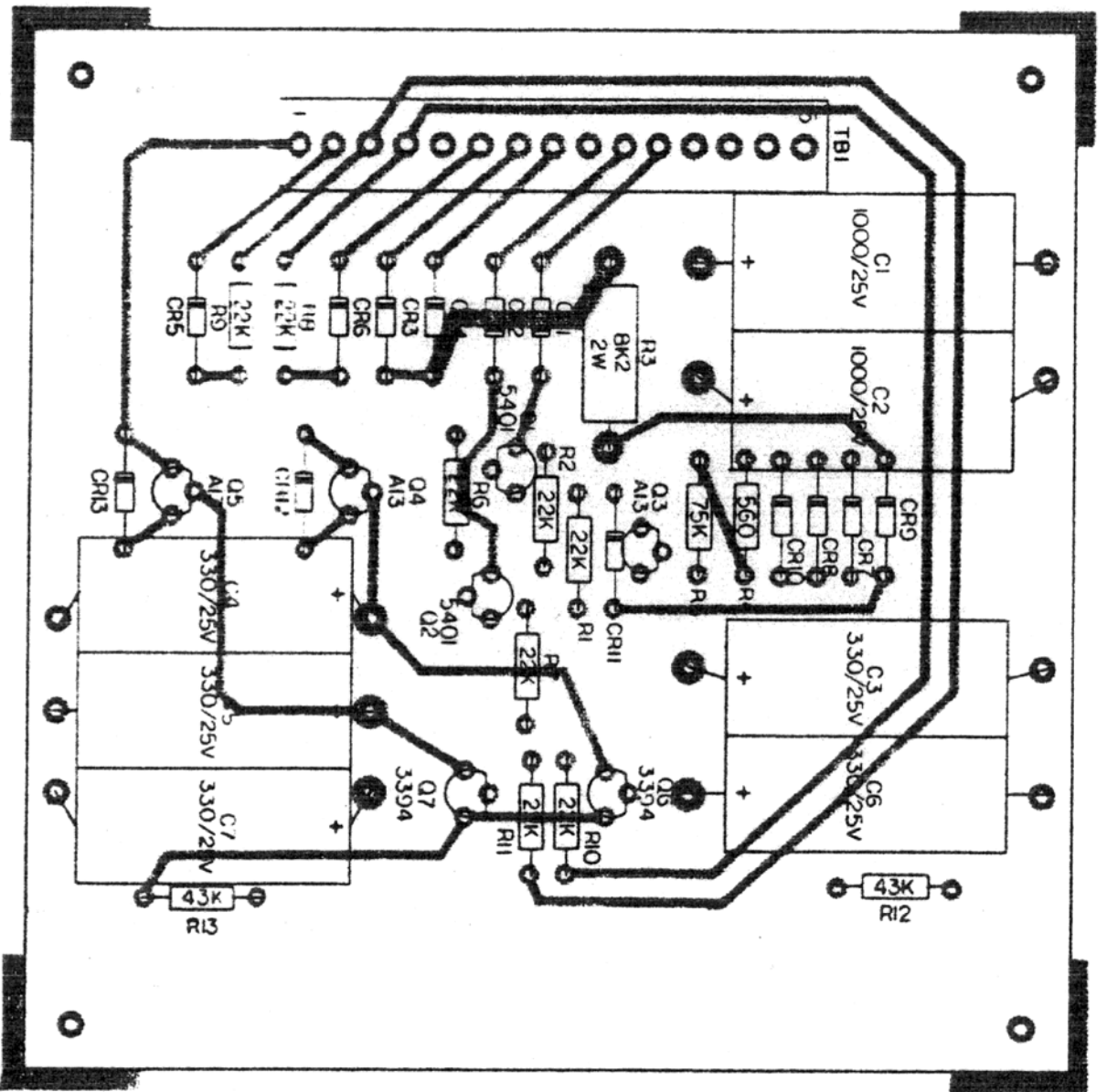
DALLAS MUSIC INDUSTRIES  
HAWTHORNE, N.J. 07508

DWN: JJD DATE: 6/30/82  
APP: DATE: 2-1-82  
TOL: ±.02 ±1°  
SER: 01 FRACT: 1/64

MODELS 5300 & 5001 SERIES  
POWER AMPLIFIERS  
HEATSINK P.C.B.  
ASSEMBLY DWG.

DWG. NO.:	2203471	REV.:	00
SCALE:	1:1	DO NOT SCALE DRAWING	





LAST REF DES

USED	NOT USED

NOTES:  
 1) ALL DIODES IN4004  
 2) UNSPECIFIED RESISTORS 1/4W

REV ECO DESCRIPTION

DATE

DALLAS MUSIC INDUSTRIES  
 HAWTHORNE, N.J. 07068

DATE 8/9/82

DATE 8/9/82

DATE 8/9/82

DATE 8/9/82

DATE 8/9/82

DATE 8/9/82

DATE 8/9/82

CREST:

MODELS 5000 & 5001 SERIES  
 POWER AMPLIFIERS

RELAY/PROTECT P.C.B.

SCHEMATIC

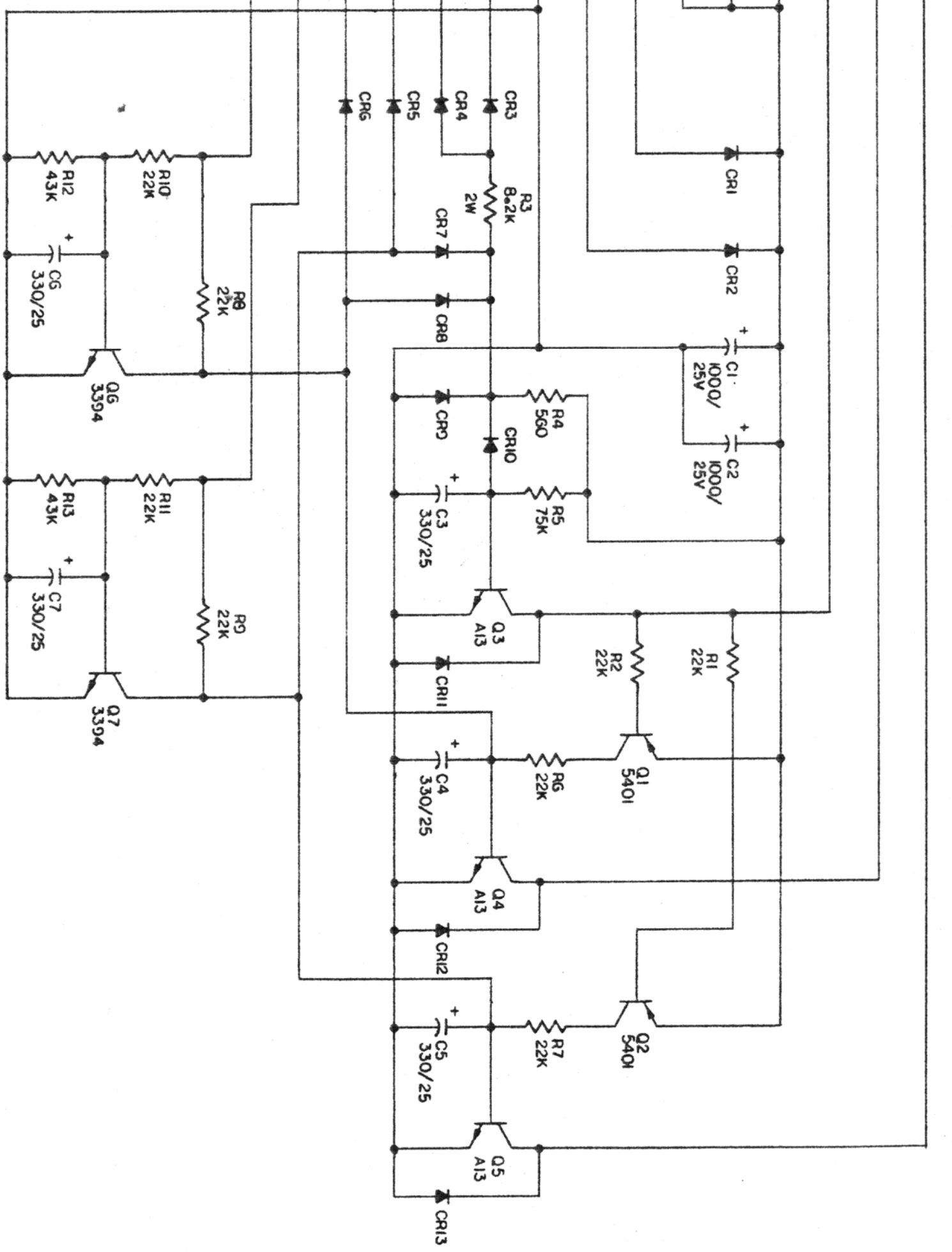
DWG. NO. 2203553

SCALE 2:1 DO NOT SCALE DRAWINGS

REV 00

- CH. A RELAY
- CH. B RELAY
- SURGE RELAY
- CH. A/B RELAY
- SURGE RELAY
- +17V METER SUPPLY
- CH. A 12VAC
- CH. B 12VAC
- GND
- CH. A -98V SUPPLY
- CH. B -98V SUPPLY
- CH. A TEMP
- CH. B TEMP
- CH. A PROTECT
- CH. B PROTECT

- 1
- 5
- 9
- 12
- 13
- 14
- 11
- 10
- 15
- 7
- 8
- 2
- 6
- 3
- 4
- T81



LAST REF DES NOT USED  
 USED USED  
 R13  
 C7  
 CR13  
 Q7

NOT USED  
 1) ALL DIODES IN4004  
 2) UNSPECIFIED RESISTORS 1/4W

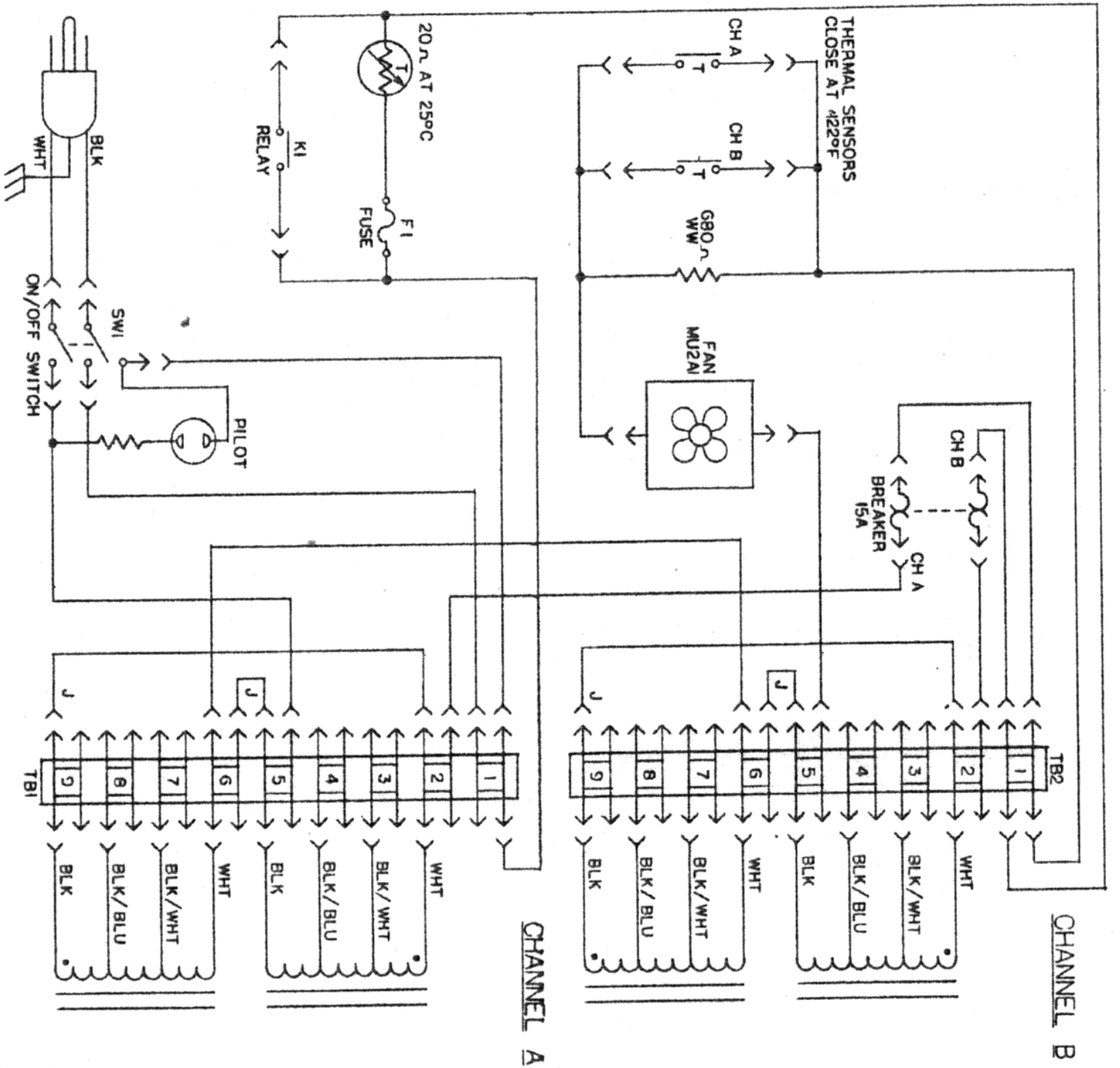
REV ECO DESCRIPTION DATE

DALLAS MUSIC INDUSTRIES  
 HAWTHORNE, N.J. 07098

OWN JMD 8/29/82  
 APP DATE 8/29/82  
 TOL 1.02 4.10  
 SEE 2.01 FRAC 2 1/4  
 MATL.  
 FINISH  
 CREST:  
 MODEL 5000 & 5001 SERIES  
 POWER AMPLIFIERS  
 RELAY/PROTECT E.C.B.

SCHEMATIC  
 DWG. NO. 2103553  
 SCALE -- 90 NOT SCALE DRAWING





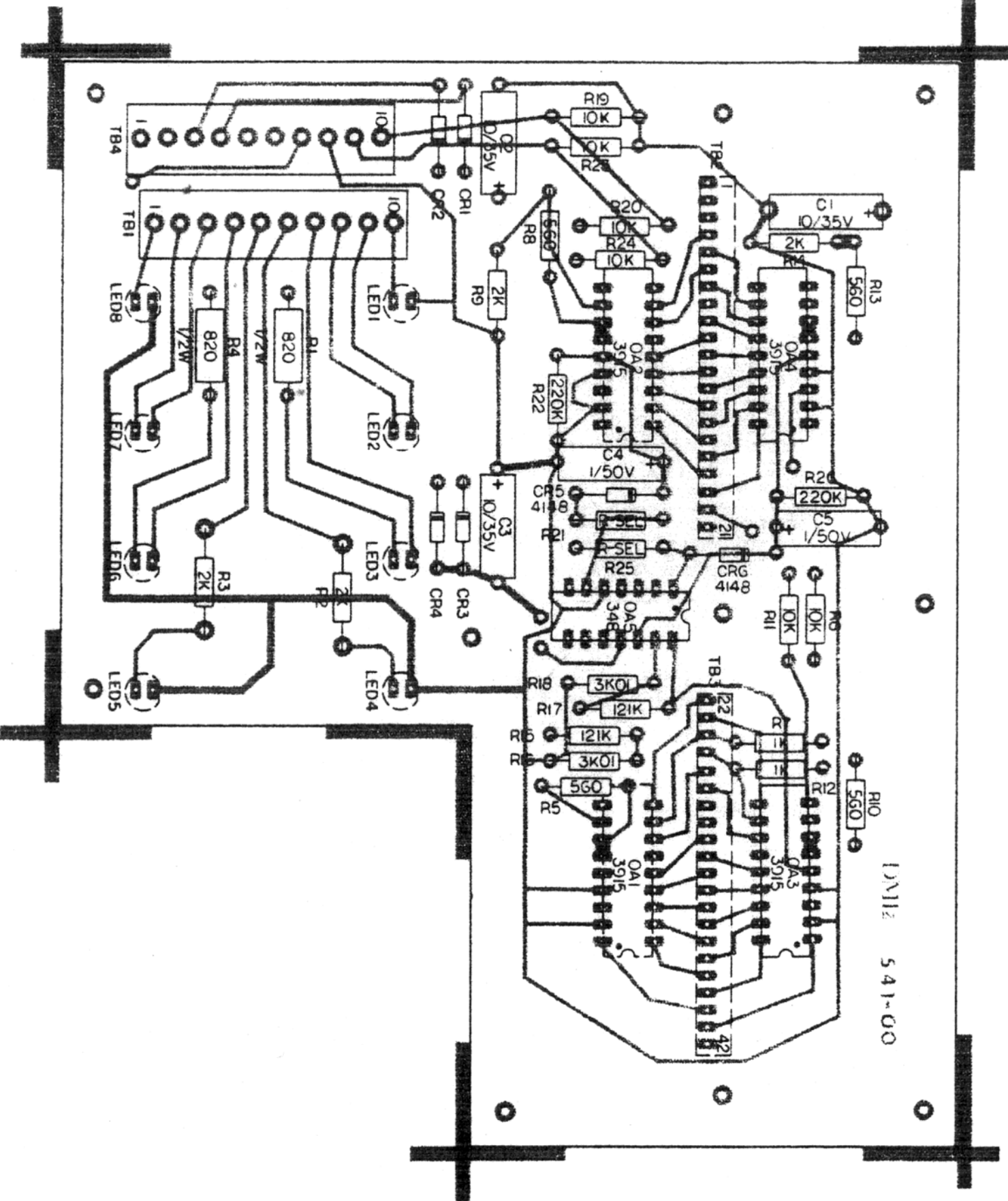
**120V TRANSFORMER WIRING**

- NOTES:**
- 1) J - JUMPER
  - 2) THERMAL SENSORS & FAN LOCATED ON HEATSINK MODULE

REV	ECO	DESCRIPTION	DATE

<b>DALLAS MUSIC INDUSTRIES</b> <small>HAWTHORNE, N.J. 07998</small>		<b>CREST:</b> MOBILE 5000 & 5001 SERIES POWER AMPLIFIERS <b>TRANSFORMER WIRING DIAGRAM</b> (120V) ASSEMBLY DWG.
DWN: JMB APP: [Signature] TOL: 2.02 DATE: 5/28/82 PART: 01 FRAC: 1/44 MATL:	DATE: 5/28/82 DATE: 2-6-82	DWD N: 2203595 SCALE: -- DO NOT SCALE DRAWING REV: 01



LN112 541-00

LAST REF DES NOTES:

- 1) ALL LEDs, OA1,2, TB2,3 MOUNT ON SOLDER SIDE
- 2) R21 & 25, R SELECT IN TEST

USED	NOT USED	REV	ECO	DESCRIPTION	DATE
R26					
C5					
LED8					
OA5					
TB4					

DALLAS MUSIC INDUSTRIES HAWTHORNE, N.J. 07108	
OWN: JJD	DATE: 04/27/62
APP: [Signature]	DATE: [Signature]
CREST: MODEL 5000 SERIES PMMR AMPLIFIER	
MAIN DESIGNER: E.C.B.	
ASSEMBLY DWG.	
DWG NO: 2203541	REV: 00
SCALE: 2:1 OR NOT SCALE DRAWING	