

MODEL	R SELECT	LAST REF	DES	NOTES:
4000		USED		
5000	2K, 10%		NOT USED	

USED	NOT USED
R26	
C5	
CR6	
LED6	
OAS	
T8A	

REV	ECO	DESCRIPTION	DATE

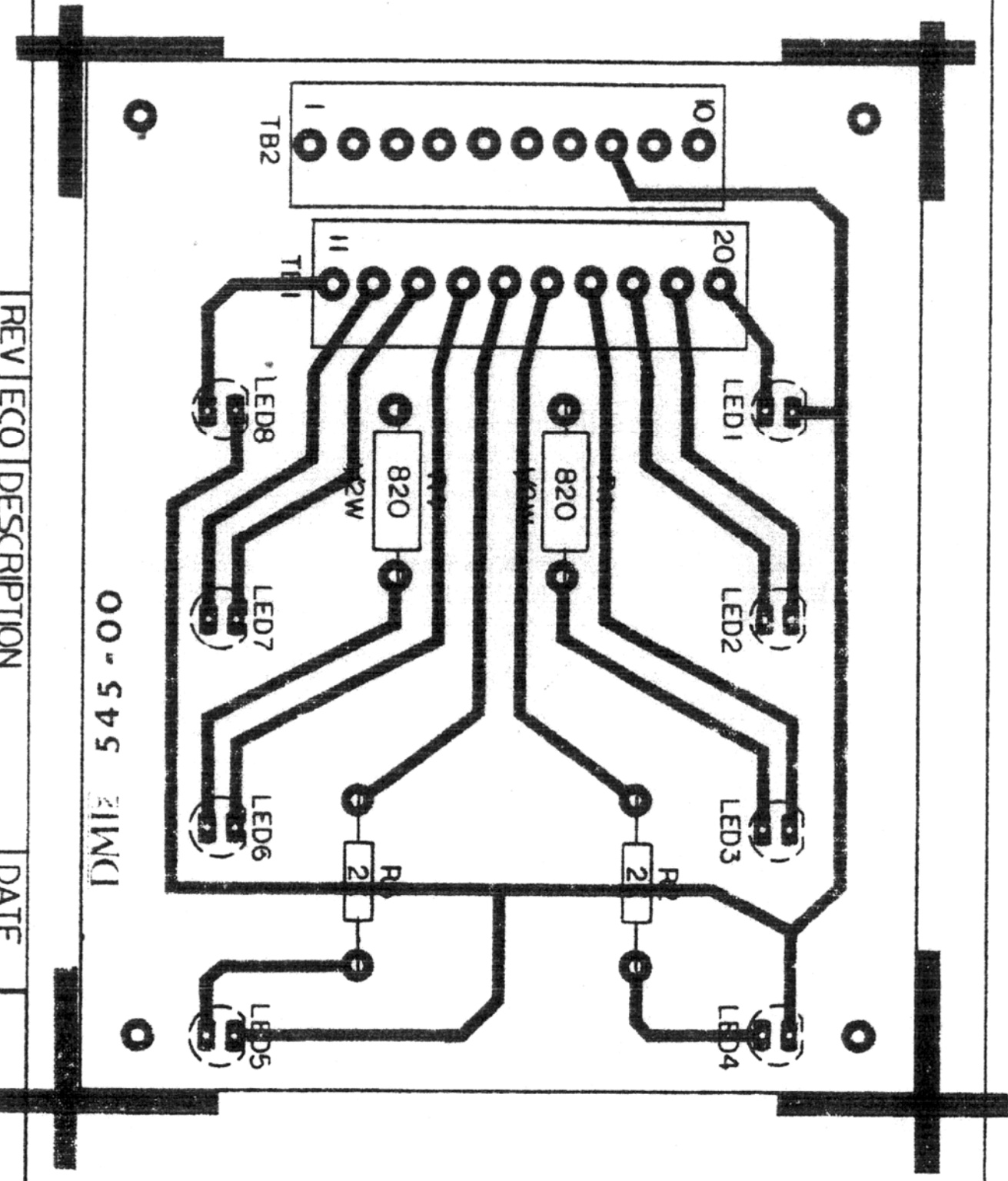
DATE

DALLAS MUSIC INDUSTRIES  
 HAWTHORNE, N.J. 07090

DATE: 04/26/82  
 DRAWN: JLD  
 CHECKED: [Signature]  
 TOL: 0.01  
 FINISH: 2%

CHEST: HORNOLA 4000 & 5000 SERIES  
 POWER AMPLIFIERS  
 MAIN WIRING E.C.L.B.

SCHEMATIC  
 21039A1  
 SCALE: -- DO NOT SCALE DRAWING



NOTES:  
 1) LEDS MOUNT ON SOLDER SIDE  
 2) LEDS ARE RED

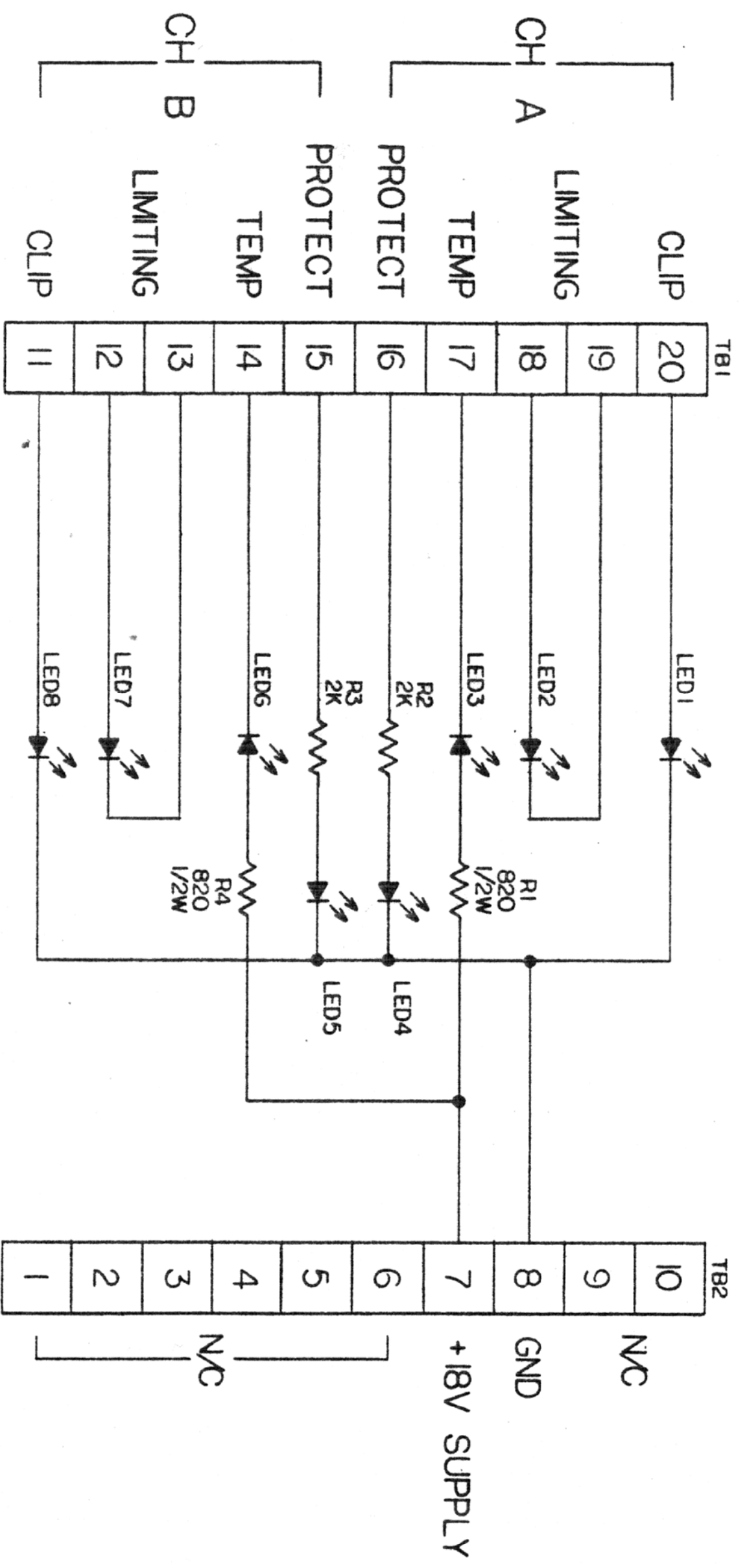
REV	ECO	DESCRIPTION	DATE

DALLAS MUSIC INDUSTRIES  
 HAWTHORNE, N.J. 07506

DWR: JJD	DATE: 04/28/82
APP: <i>[Signature]</i>	DATE: <i>[Signature]</i>
TOL: ±.02	Z: ±10
FR: ±.01	FRACT: ±1/64
MATL:	
FINISH:	

CREST:  
 MODEL 5001 SERIES  
 POWER AMPLIFIER  
 LED PROTECT P.C.B.  
 ASSEMBLY DWG.

DWG. NO.:	2202545	REV:	00
SCALE:	2:1	DO NOT SCALE DRAWING	

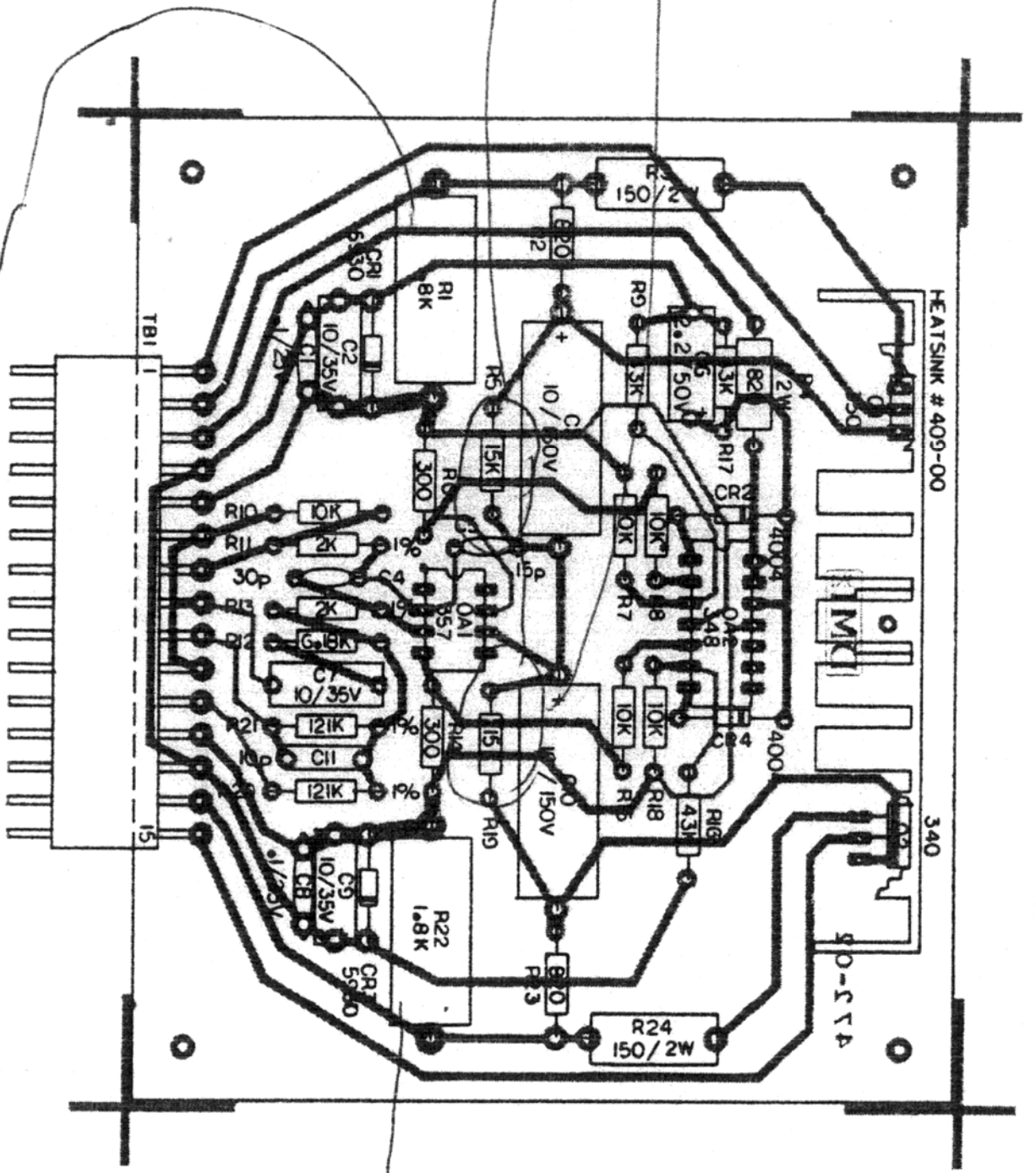


LAST REF	DES	NOTES:	REV	ECO	DESCRIPTION	DATE
USED	NOT USED	1) LEDs ARE RED 2) N/C- NO CONNECTION 3) R2 & 3 ARE 1/4W				
R4						
LED8						
TB2						

**DALLAS MUSIC INDUSTRIES**  
HAWTHORNE, N.J. 07506

DWN: JJD	DATE: 7/28/82	CREST:
APP: <i>[Signature]</i>	DATE: <i>[Signature]</i>	MODEL 5901 SERIES POWER AMPLIFIER
TOL: ±.02	±1°	LED PROTECT P.C.B.
FRACT: 1/64		
MATEL:		SCHMATIC
FINISH:		DWG. N.: 2102545
SCALE: --		REV: 00
		DO NOT SCALE DRAWING

R5 + R19  
15K 1w  
Metal oxide

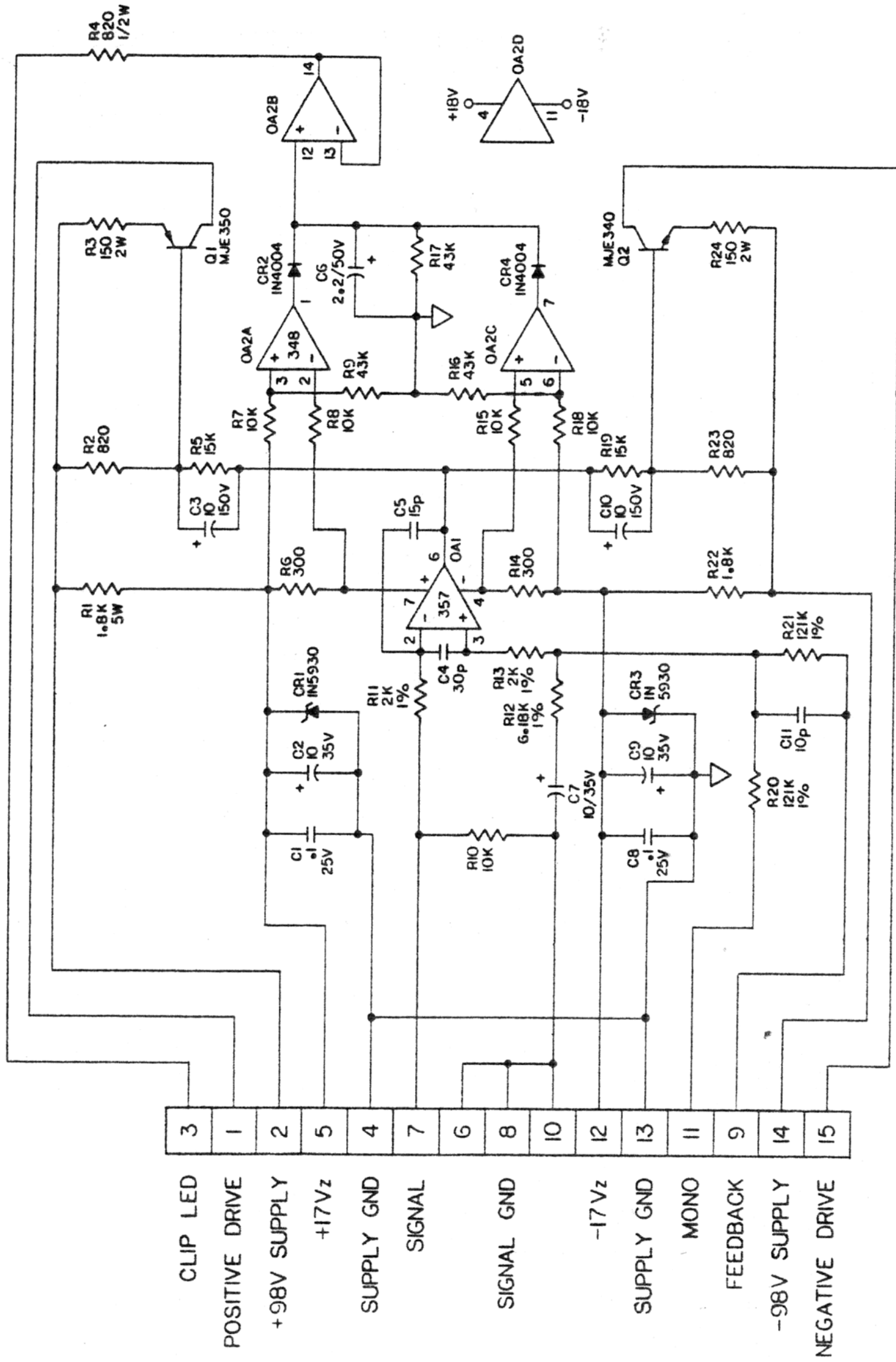


R1 + R22  
2K 8w

LAST REF DES NOTES:		REV	ECO	DESCRIPTION	DATE
USED	NOT USED				
R24					
C11					
CR4					
OA2					
O2					

DALLAS MUSIC INDUSTRIES HARTFORD, N.J. 07103	
OWN.	DATE
APP. <i>JPD</i>	7/6/82
TOL. 1/16	DATE
ASST. 01	7/6/82
FRAC. 1/16	1/16
MATL.	
CREST: MODELS 5000 & 5001 SERIES POWER AMPLIFIERS FRONT END P.C.B. ASSEMBLY DWG.	
DWG. NO.	2203472
SCALE	1:1
REV.	00



3	CLIP LED
1	POSITIVE DRIVE
2	+98V SUPPLY
5	+17Vz
4	SUPPLY GND
7	SIGNAL
6	SIGNAL GND
8	SIGNAL GND
10	-17Vz
12	SUPPLY GND
13	MONO
11	FEEDBACK
9	-98V SUPPLY
14	SUPPLY GND
15	NEGATIVE DRIVE

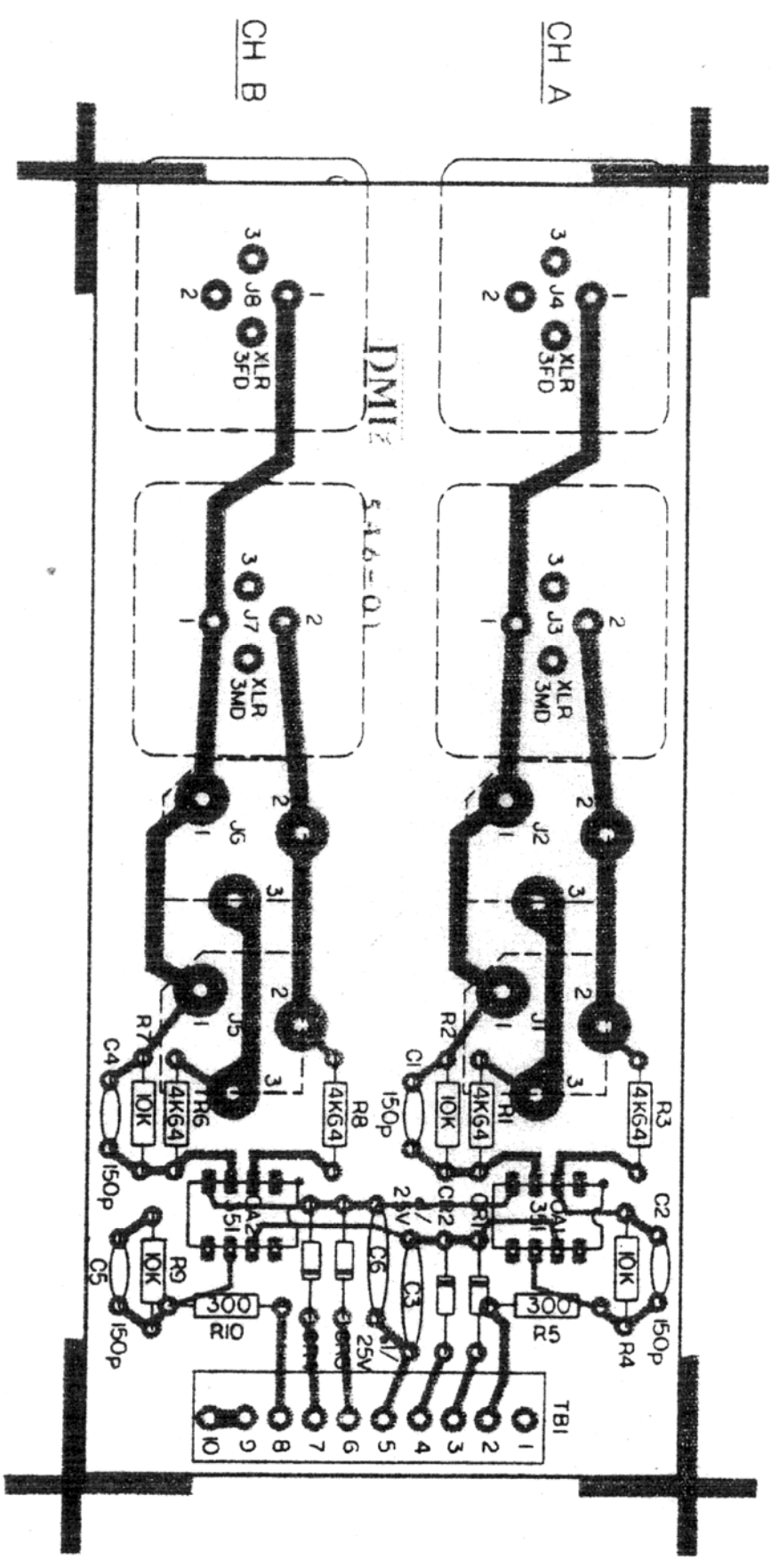
LAST REF DES NOTES:

USED	NOT USED
R24	
C11	
CR4	
OA2	

REV ECO DESCRIPTION

DATE

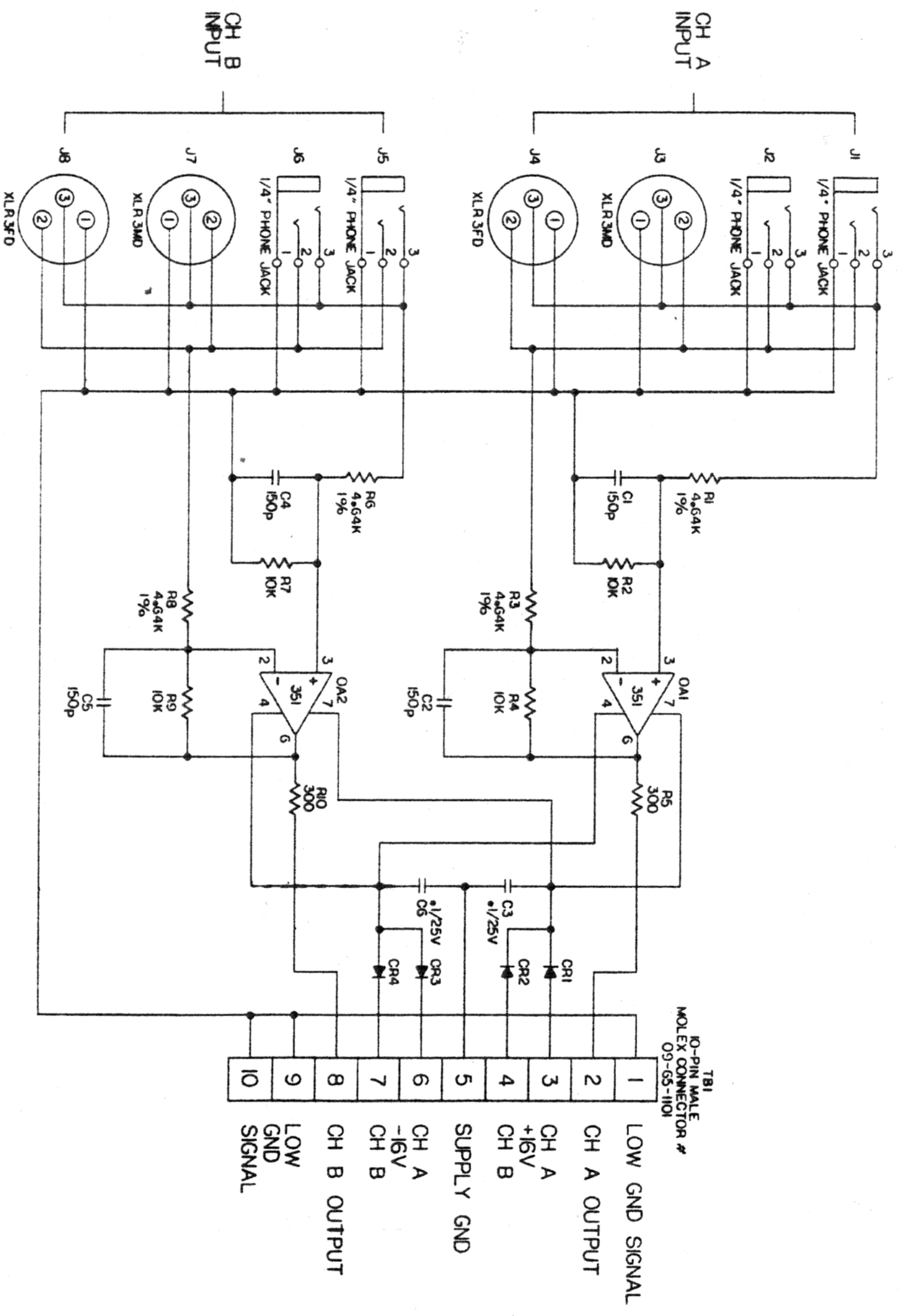
DALLAS MUSIC INDUSTRIES  
 HAWTHORNE, N.J. 07606  
 OWN: JJD  
 DATE: 9/25/82  
 APP: [Signature]  
 TOL: 2 OR 2.1  
 \*\*\* 2.01 PRAC 2/64  
 FROM: END P.C.B.  
 CREST: MODELS 5000 & 5001 SERIES POWER AMPLIFIERS



LAST REF DES	NOT USED	NOT USED	NOTES:	REV	ECO	DATE
USED			1) ALL DIODES, CRI-48 IN4004 2) J1,2,5,6 ARE 1/4" PHONE JACKS, PART NO N112BPC			
R10						
C6						
CR4						
J8						
OA2						
TBI						

DALLAS MUSIC INDUSTRIES		DATE 7/7/82	
HAWTHORNE, N.J. 07106		APP JJD	
CREST:		DATE 7/2/82	
MODELS 5000 & 5001 SERIES		TOL .002 ±	
POWER AMPLIFIERS		*** 2 01 PRACT 2 1/4	
INPUT P.C.B.		MATERIAL	
ASSEMBLY DMC.		FINISH	
DWG NO. 2203546		REV 00	
SCALE 2:1		DO NOT SCALE DRAWING	



LAST USED	REF DES	NOT USED	NOT USED	NOTES:
				1) 1/4" PHONE JACKS, J1,2,5,6 & NI12BPC
				2) RESISTORS & 1/4W
				3) DIODES IN4004

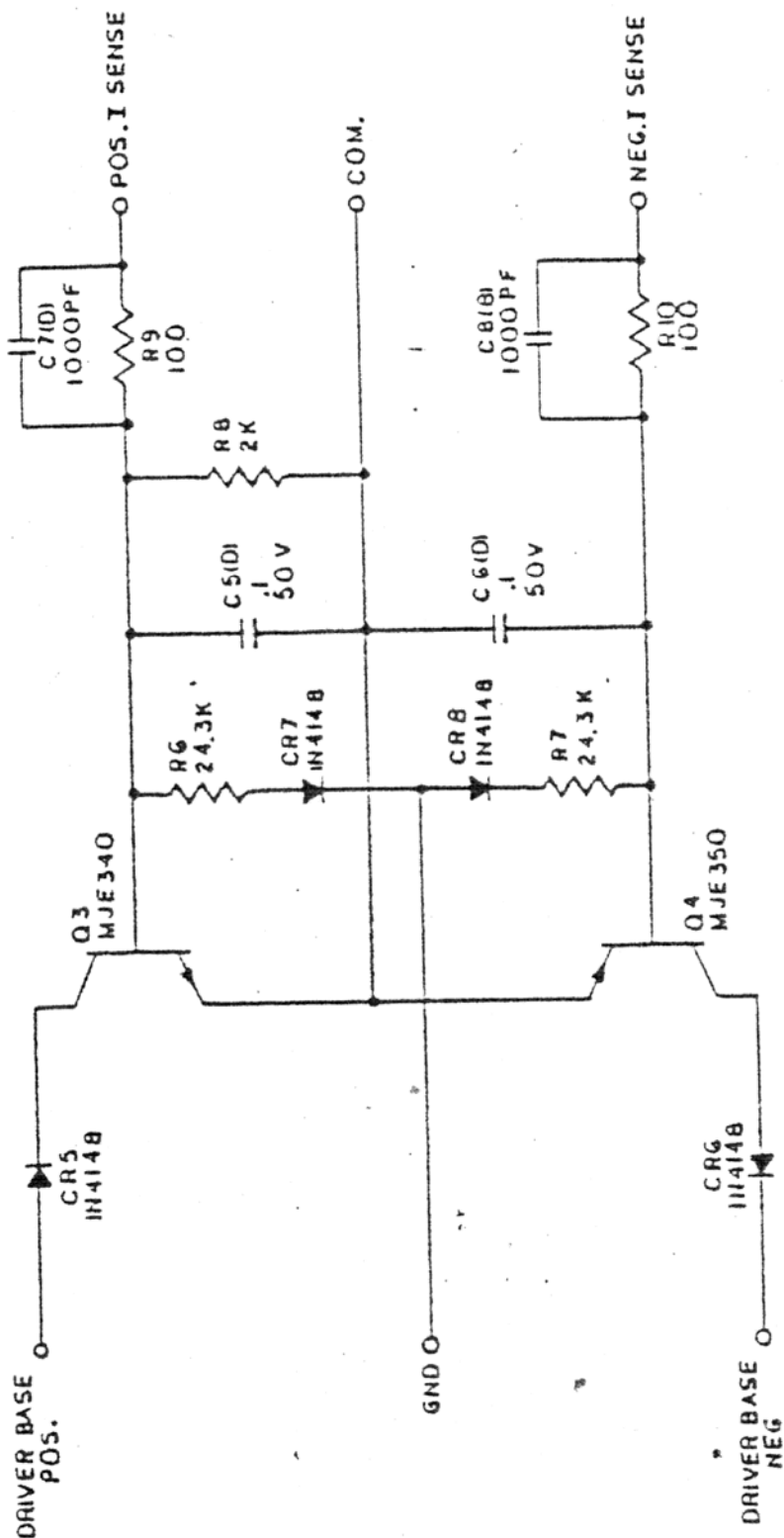
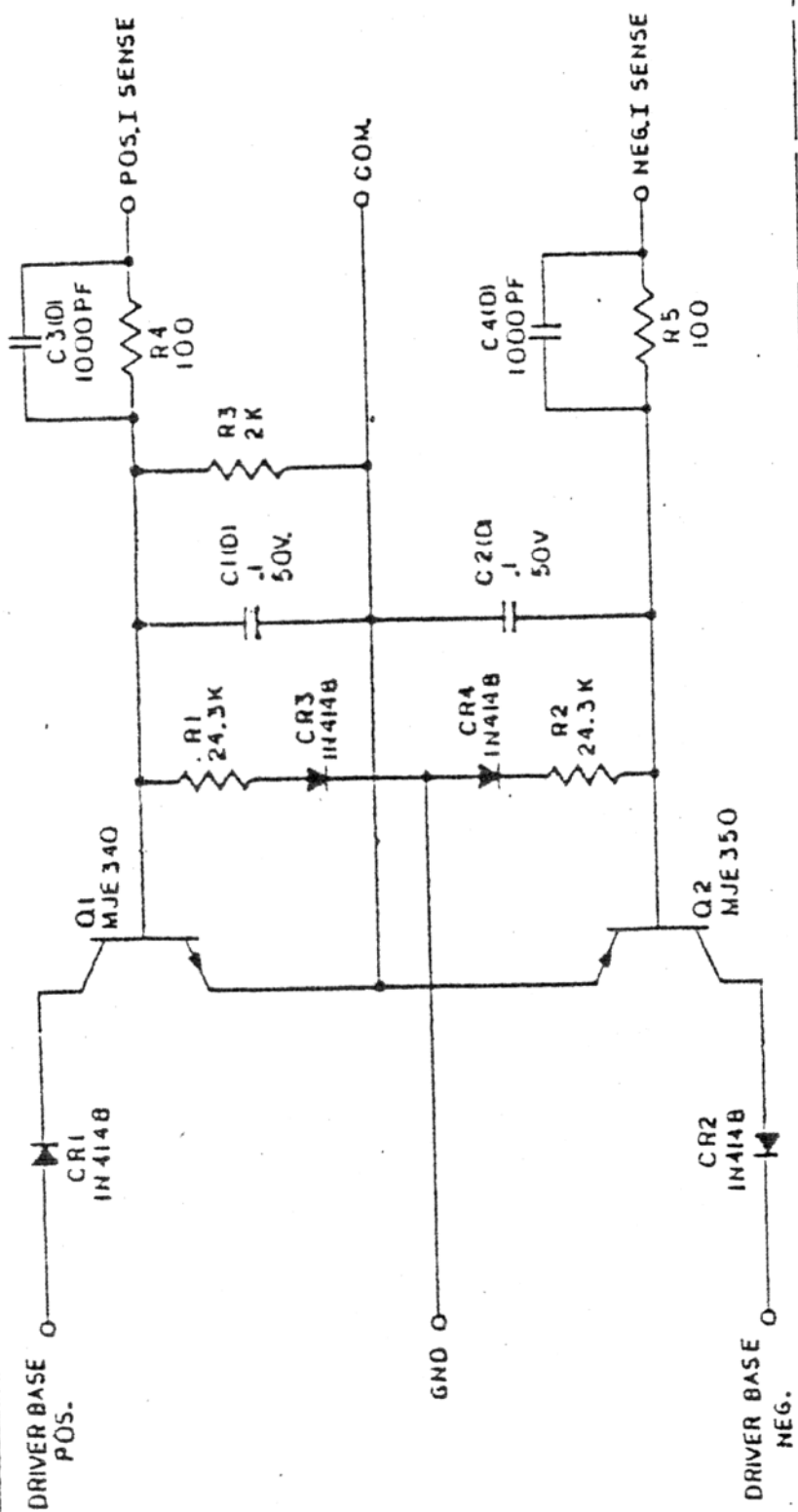
REV	ECO	DESCRIPTION	DATE

DALLAS MUSIC INDUSTRIES  
MAYFLOWER R.J. 8788

OWN: JDB DATE: 9/9/82  
APP: DATE: 2-2-82  
TOL: 0.01 4 51"  
MFG: 01 PRACT 51/4

CREST: MODEL 3000 & 3001 SERIES  
POWER AMPLIFIERS  
LWVE E.C.L.

PCB: BERNHART  
DWG NO: 2103546  
SCALE: DO NOT SCALE DRAWING



LAST REV	DES	NOT USED	NOTES
USED			
C B			1) ALL RESISTORS 1/4W, UNLESS OTHERWISE SPECIFIED
CR 8			2) ALL CAPACITORS 50V, UNLESS OTHERWISE SPECIFIED
Q 4			
R 10			

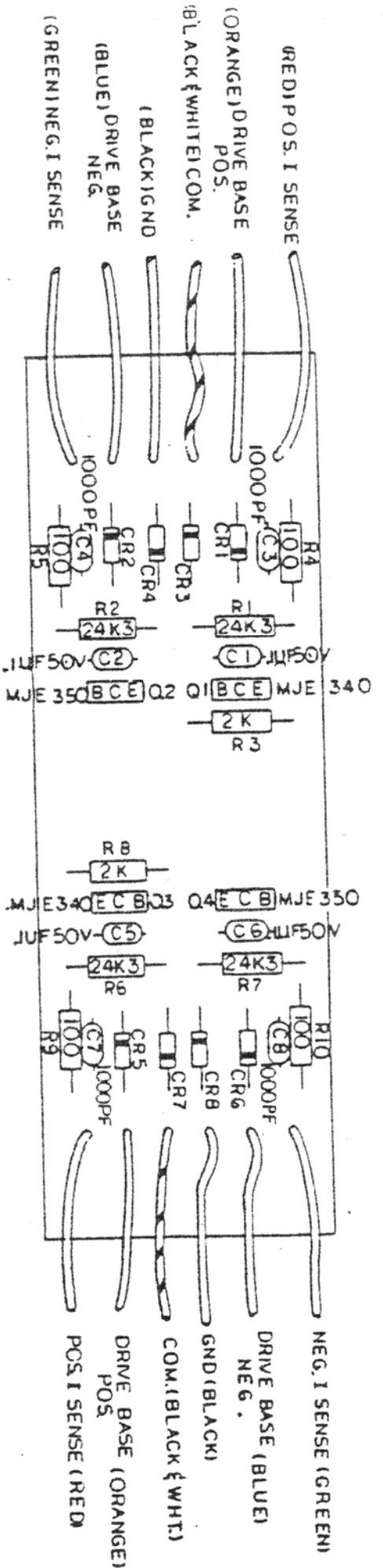
REV	DESCRIPTION	DATE

DALLAS MUSIC INDUSTRIES  
HAWTHORNE, N.J. 07036

DATE: 8/15/83  
APP: J.E.  
TOL: J.L.  
REV: 1.01  
MATERIAL: FRAC 1/4

CREST: MODELS 5000/5001 SERIES POWER AMPLIFIERS  
V.L. LITTING P.C.D.  
SCHEMATIC DWG.





CHA A

CHA B

CCMP, NOT INSTALLED BY  
OUTSIDE VENDOR

LAST REV DES.  
USED NOT USED

CB  
CR8  
Q4  
R10

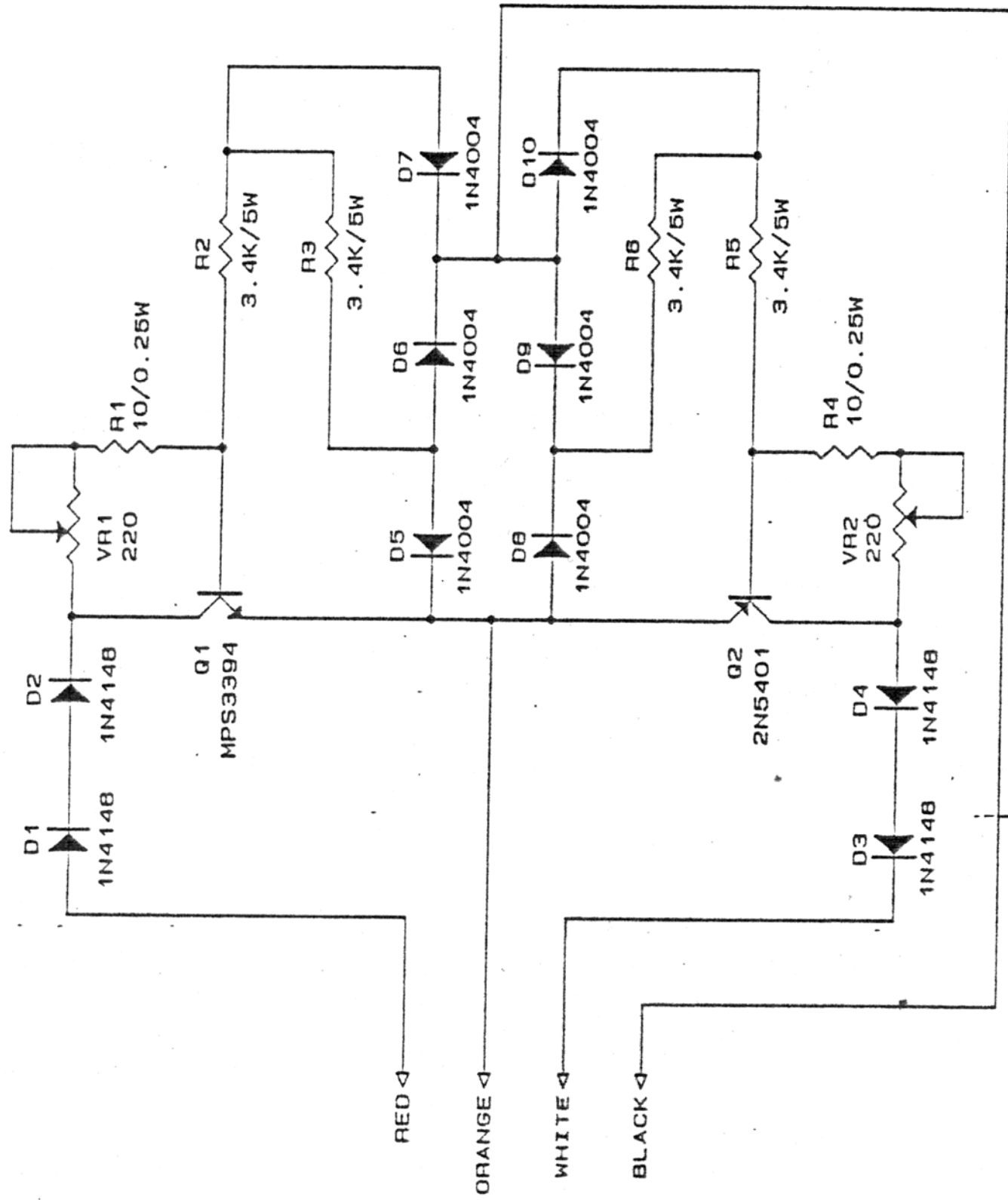
NOTES  
1) ALL RESISTORS 1/4W, UNLESS OTHERWISE SPECIFIED  
2) ALL DIODES IN 414B, UNLESS OTHERWISE SPECIFIED

REV DESCRIPTION  
01 CHANGE Q1 & Q3 FROM MJE 180 TO MJE 340 - Q2 & Q4 FROM MJE 170 TO MJE 350

DATE  
10-26-83

DALLAS MUSIC INDUSTRIES  
HAWTHORNE, N.J. 07096  
DATE: 8/15/83  
APP: E.C. DATE: 2/14/84  
TOL: 1.0 ± .02  
FRAC: 1/64  
MATERIAL:  
MODEL: 5000/5001 SERIES  
POWER AMP. PLATE  
V.L. LITTING P.C.B.  
ASSEMBLY DMG.  
DWG NO.: 2205610  
SCALE: 2:1 DO NOT SCALE DRAWING

REV: 01

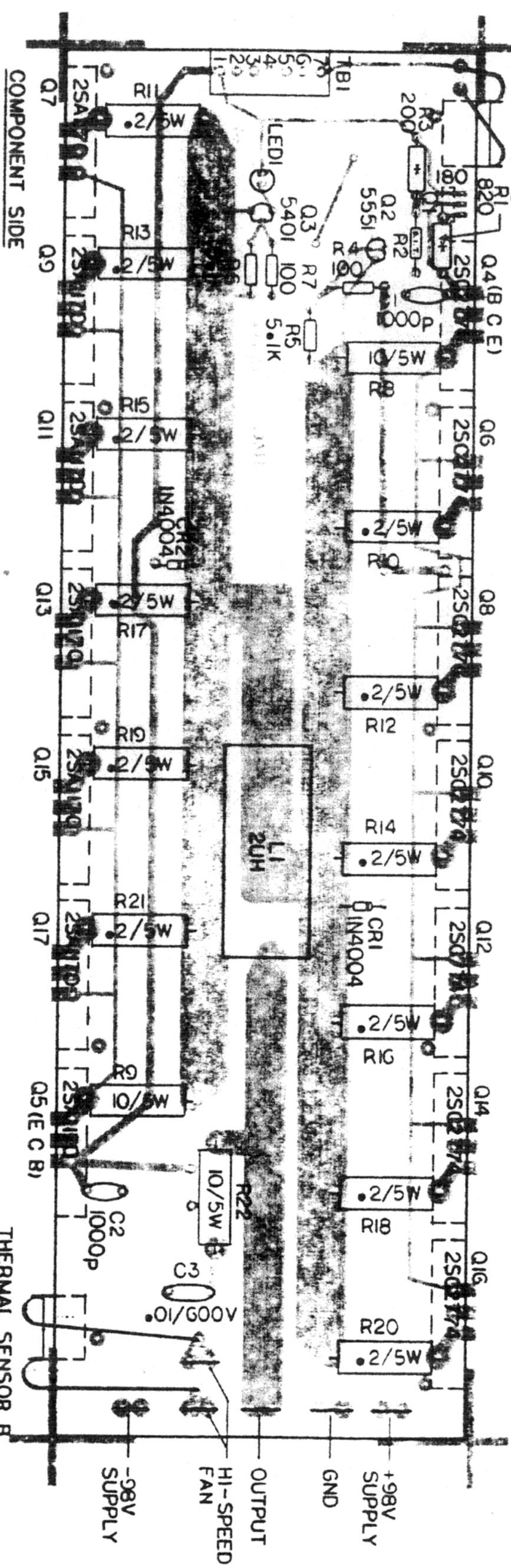


CREST AUDIO	
HAWTHORNE, NJ 07608	
Title	5000/5001 2 OHM LIMITER PCB
Size	A
Document Number	2101610
REV	01
Date:	Apr 11 1989
Sheet	1 of 1

8 7 6 5 4 3 2 1

8 7 6 5 4 3 2 1

2450-87-280  
CLOSES AT 194°F  
THERMAL SENSOR A



THERMAL SENSOR B  
CLOSES AT 122°F  
2450-87-281

DOT 3.45 Res: 5.1K

LAST REF DES NOTES:

- 1) + DENOTES 1/2W RESISTOR (R1 & R3)
- 2) THERMAL SENSORS & Q1,4-17 MOUNT ON HEATSINK UNDER P.C.B.
- 3) R2, D.o.T., DETERMINE IN TEST

USED	NOT USED
R22	
C3	
CR2	
L1	
LED1	
Q17	

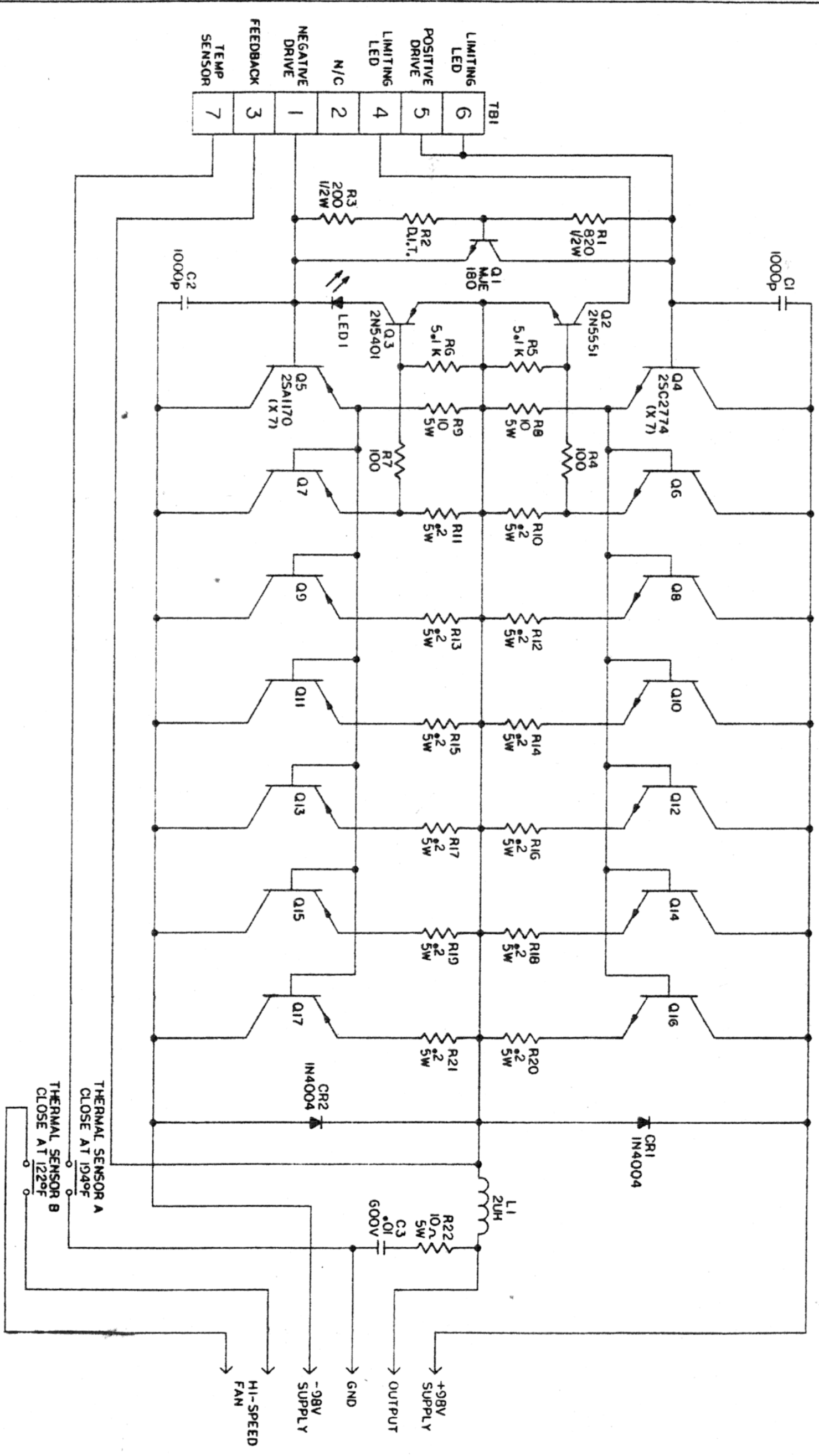
REV ECO DESCRIPTION DATE

DALLAS MUSIC INDUSTRIES  
HAWTHORNE, N.J. 07508

DWN: JJD DATE: 6/30/82  
APP: DATE: 2-1-82  
TOL: ±.02 ±1°  
FRACT: 1/64

MODELS 5300 & 5001 SERIES  
POWER AMPLIFIERS  
HEATSINK P.C.B.  
ASSEMBLY DWG.

DWG. NO.: 2203471  
SCALE: 1:1 DO NOT SCALE DRAWING  
REV: 00



TBI	6	LIMITING LED
	5	POSITIVE DRIVE
	4	LIMITING LED
	2	N/C
	1	NEGATIVE DRIVE
	3	FEEDBACK
	7	TEMP SENSOR

NOTES:

- 1) R2, D.I.T., DETERMINE IN TEST, IS BIAS RESISTOR. VOLTAGE ACROSS R8 & R9 IS BETWEEN .475 V MIN. & 5.0 V MAX. AS DETERMINED BY R2.
- 2) N/C, NO CONNECTION

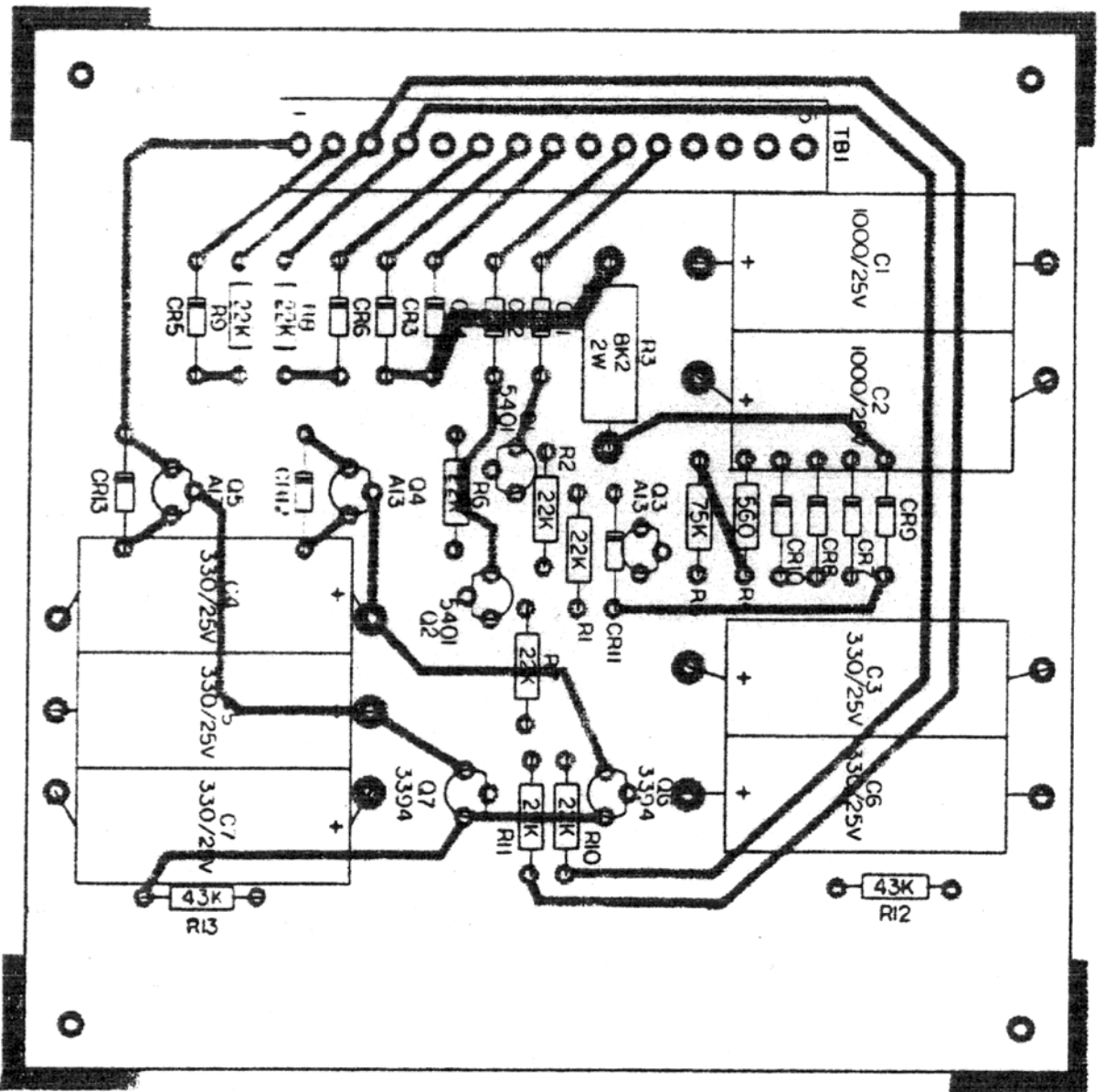
LAST USED	REF	DES	REV	ECO	DESCRIPTION	DATE

OWN	ADD	DATE	CREST:
ADD	DATE	DATE	
APP	DATE	DATE	
TOL	DATE	DATE	
APP	DATE	DATE	

DALLAS MUSIC INDUSTRIES HAWTHORNE, N.J. 07098	
HEAT-SINK P.C.B.	
SCHEMATIC	
DWG NO.	REV
2103671	00
NO NOT SCALE DRAWING	



LAST REF DES

USED	NOT USED
RI3	
C7	
CR13	
Q7	

NOTES:

- 1) ALL DIODES IN4004
- 2) UNSPECIFIED RESISTORS 1/4W

REV ECO DESCRIPTION

DATE

DALLAS MUSIC INDUSTRIES

HAWTHORNE, N.J. 07068

DATE 8/9/82

DATE 8/9/82

DATE 8/9/82

DATE 8/9/82

DATE 8/9/82

DATE 8/9/82

DATE 8/9/82

DATE 8/9/82

DATE 8/9/82

DATE 8/9/82

DATE 8/9/82

DATE 8/9/82

DATE 8/9/82

DATE 8/9/82

DATE 8/9/82

CREST:

MODELS 5000 & 5001 SERIES

POWER AMPLIFIERS

RELAY/PROTECT P.C.B.

SCHEMATIC

DWG. NO. 2203553

SCALE 2:1 DO NOT SCALE DRAWINGS

REV 00

FINISH

SCALE 2:1 DO NOT SCALE DRAWINGS

SCALE 2:1 DO NOT SCALE DRAWINGS

SCALE 2:1 DO NOT SCALE DRAWINGS

SCALE 2:1 DO NOT SCALE DRAWINGS

SCALE 2:1 DO NOT SCALE DRAWINGS

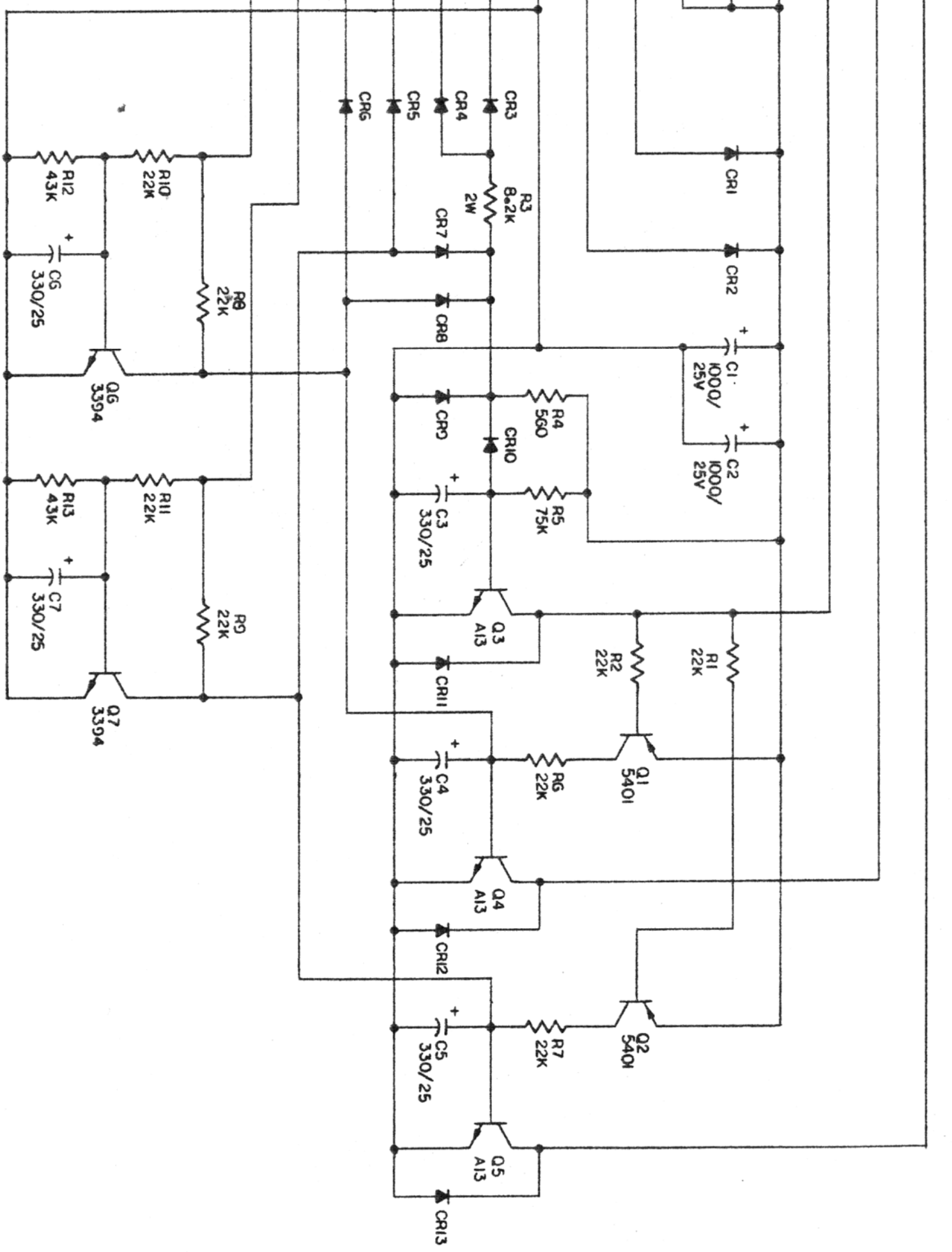
SCALE 2:1 DO NOT SCALE DRAWINGS

SCALE 2:1 DO NOT SCALE DRAWINGS

SCALE 2:1 DO NOT SCALE DRAWINGS

- CH. A RELAY
- CH. B RELAY
- SURGE RELAY
- CH. A/B RELAY
- SURGE RELAY
- +17V METER SUPPLY
- CH. A 12VAC
- CH. B 12VAC
- GND
- CH. A -98V SUPPLY
- CH. B -98V SUPPLY
- CH. A TEMP
- CH. B TEMP
- CH. A PROTECT
- CH. B PROTECT

- 1
- 5
- 9
- 12
- 13
- 14
- 11
- 10
- 15
- 7
- 8
- 2
- 6
- 3
- 4
- T81



LAST REF DES

NOT USED  
USED

NOT USED  
USED

NOTES:  
1) ALL DIODES IN4004  
2) UNSPECIFIED RESISTORS 1/4W

REV ECO DESCRIPTION

DATE

DALLAS MUSIC INDUSTRIES  
HAWTHORNE, N.J. 07008

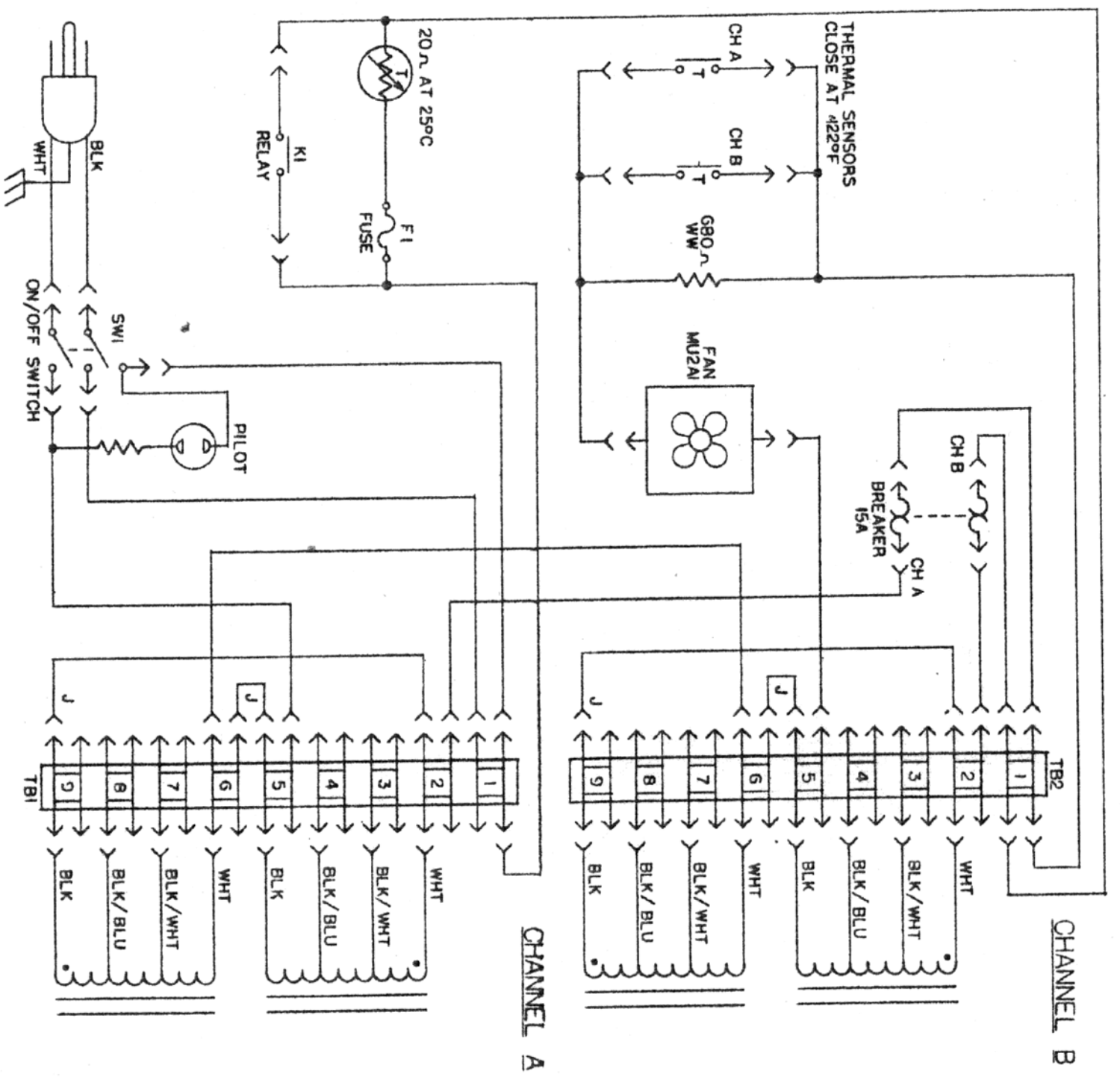
OWN: JMB  
APP: JMB  
DATE: 8/29/82  
TOL: 1.02  
FRAC: 2/64  
MATERIAL:  
FINISH:  
CREST:  
MODEL: 5000 & 5001 SERIES  
POWER AMPLIFIERS  
RELAY/PROTECT E.C.B.

SCHEMATIC

DWG. NO.: 2103553

REV: 00

SCALE: -- 80 NOT SCALE DRAWING



120V TRANSFORMER WIRING

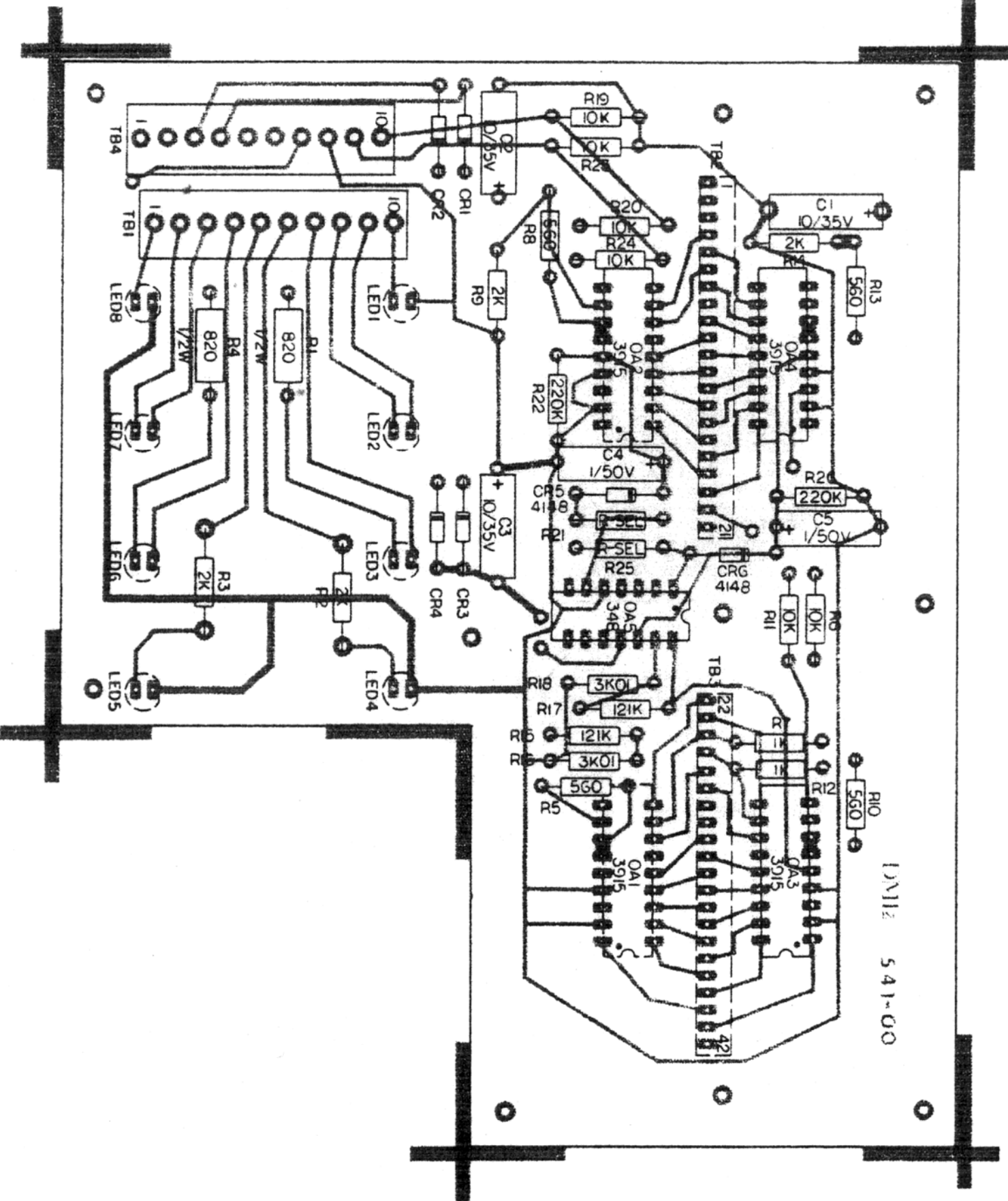
- NOTES:
- 1) J - JUMPER
  - 2) THERMAL SENSORS & FAN LOCATED ON HEATSINK MODULE

REV	ECO	DESCRIPTION	DATE

DALLAS MUSIC INDUSTRIES HAWTHORNE, N.J. 07998	
DRW: JMB	DATE: 5/28/82
APP: [Signature]	DATE: 2-6-82
TOL: 1.02	4.2"
PRCT: 1.1/44	1.1"
MATERIAL:	
FINISH:	
Dwg No: 2203595	
SCALE: -- DO NOT SCALE DRAWING	
REV 01	

CREST:  
 MOBILE 5000 & 5001 SERIES  
 POWER AMPLIFIERS  
 TRANSFORMER WIRING DIAGRAM  
 (120V)  
 ASSEMBLY DWG.



LN112 541-00

LAST REF DES

USED	NOT USED	NOTES:
R26		1) ALL LEDs, OA1,2, TB2,3 MOUNT ON SOLDER SIDE
C5		2) R21 & 25, R SELECT IN TEST
LED8		
OA5		
TB4		

REV ECO DESCRIPTION

DATE

REV	ECO	DESCRIPTION	DATE

DALLAS MUSIC INDUSTRIES

HAWTHORNE, N.J. 07108

OWN: JJD

DATE: 04/27/62

CREST:

MODEL 5000 SERIES

PMR AMPLIFIER

MAIN CENTER E.C.B.

ASSEMBLY DWG.

DWG NO: 2203541

SCALE: 2:1 OR NOT SCALE DRAWING

REV: 00