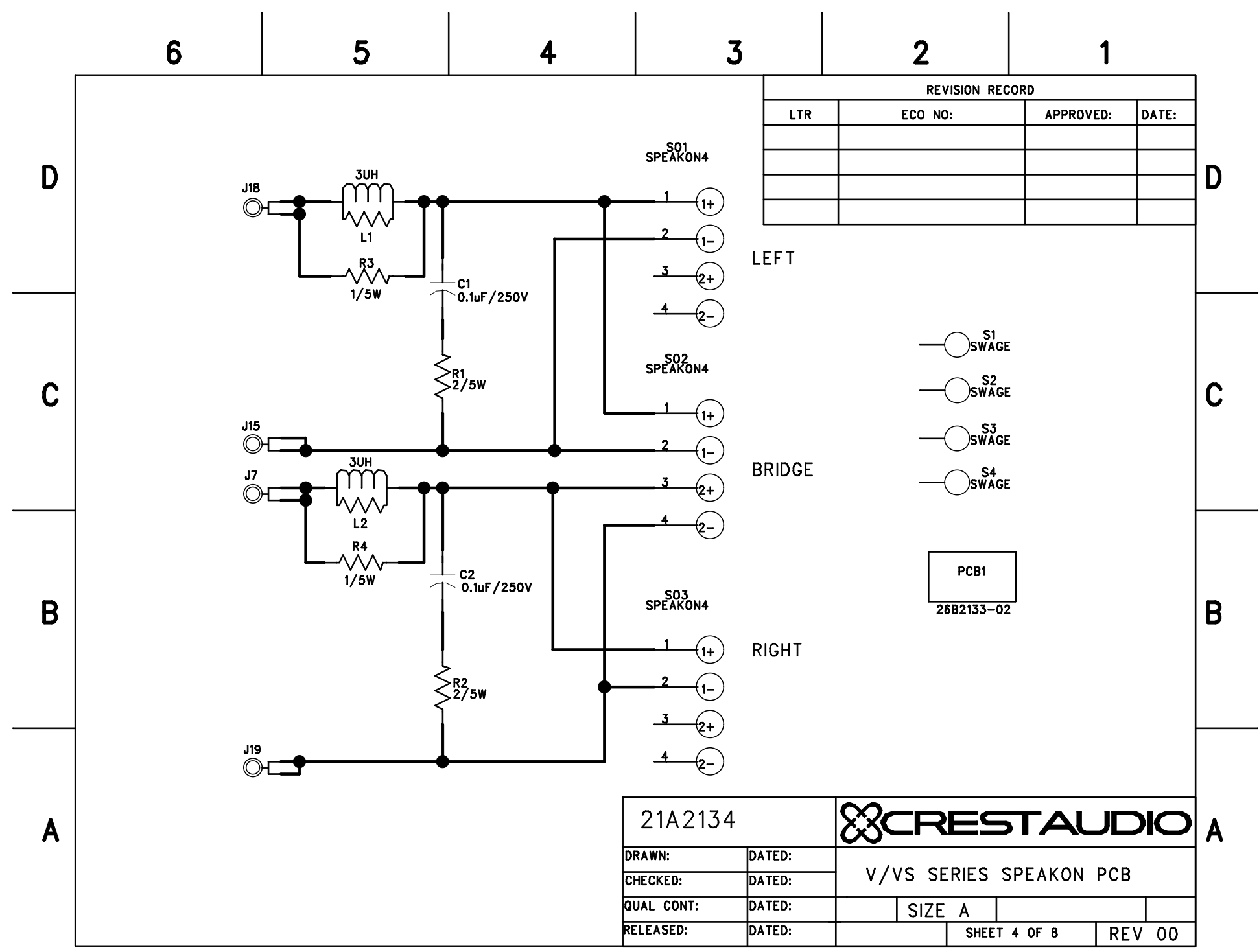


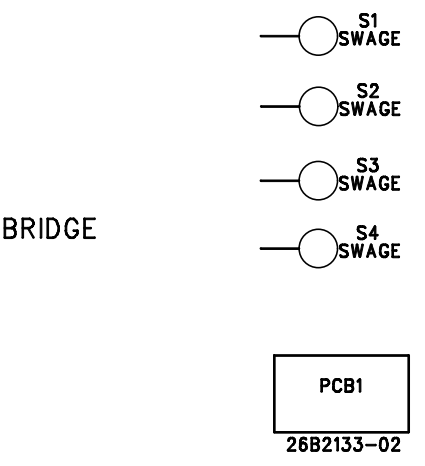


## V / Vs series Power Amplifiers

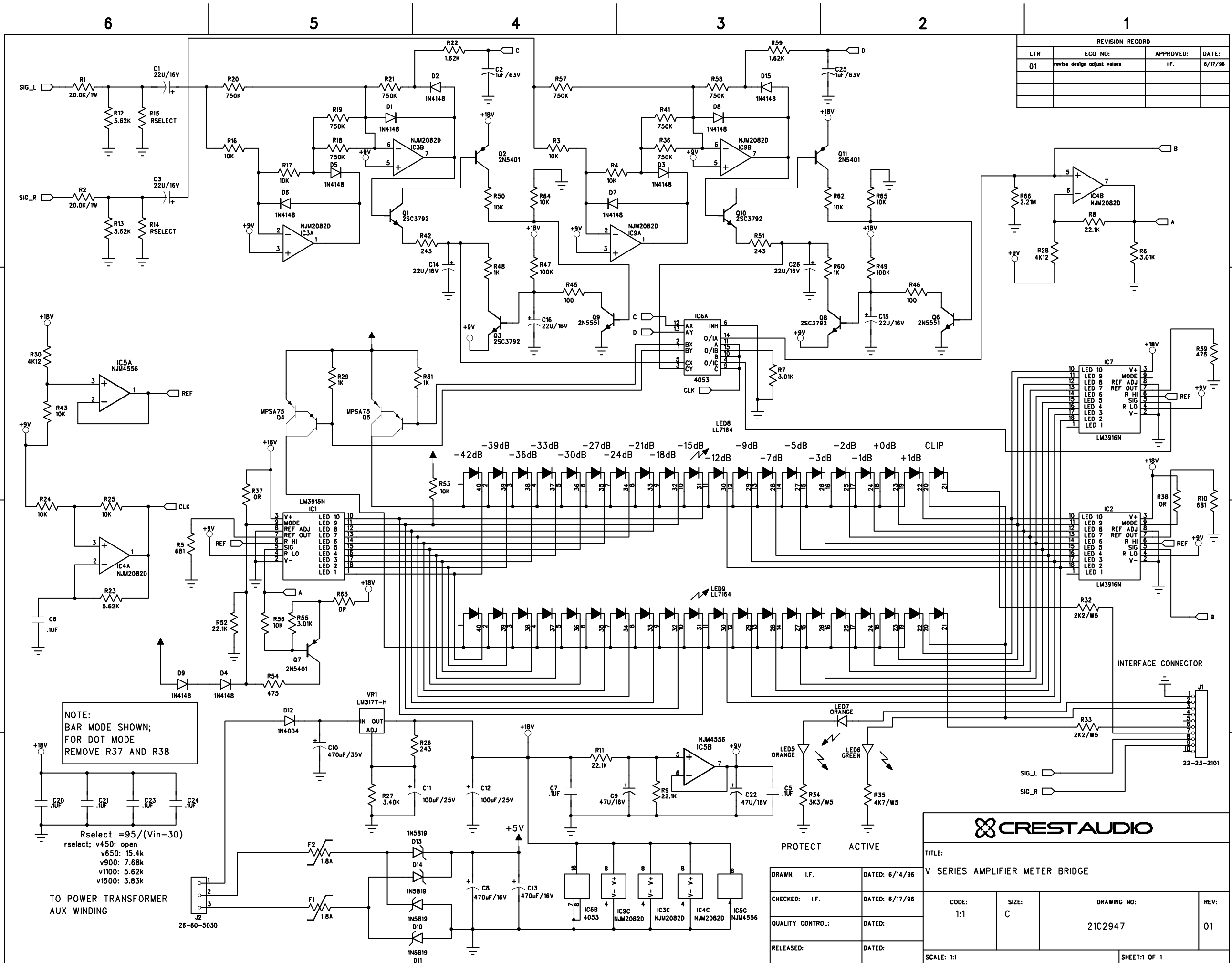
1. V / Vs Speakon connector board
2. V LED Meter
3. Vs Front panel display
4. V Front panel pot pcb
5. V / Vs Temp sensor
6. Booster for V Vs 900 and 1100
7. H class board for V Vs 1500
8. V 450 Main board
9. V 650 Main board
10. V 900 Main board
11. V 1100 Main board
12. V 1500 Main board
13. Vs 450 Main board
14. Vs 650 Main board
15. Vs 900 Main board
16. Vs 1100 Main board
17. Vs 1500 Main board



REVISION RECORD			
LTR	ECO NO:	APPROVED:	DATE:



21A2134		<b>CRESTAUDIO</b>	
DRAWN:	DATED:	V/VS SERIES SPEAKON PCB	
CHECKED:	DATED:		
QUAL CONT:	DATED:	SIZE A	
RELEASED:	DATED:	SHEET 4 OF 8	REV 00



REVISION RECORD			
LTR	ECO NO:	APPROVED:	DATE:
01	revise design adjust values	L.F.	6/17/96

NOTE:  
BAR MODE SHOWN;  
FOR DOT MODE  
REMOVE R37 AND R38

Rselect =  $95 / (V_{in} - 30)$   
 rselect: v450: open  
 v650: 15.4k  
 v900: 7.68k  
 v1100: 5.62k  
 v1500: 3.83k

TO POWER TRANSFORMER  
AUX WINDING

**CREST AUDIO**

TITLE: V SERIES AMPLIFIER METER BRIDGE

DRAWN: I.F.	DATED: 6/14/96	CODE: 1:1	SIZE: C	DRAWING NO: 21C2947	REV: 01
CHECKED: I.F.	DATED: 6/17/96	QUALITY CONTROL:	DATED:	SCALE: 1:1	SHEET: 1 OF 1
RELEASED:	DATED:				



6

5

4

3

2

1

D

D

C

C

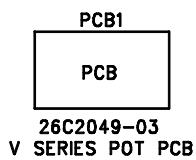
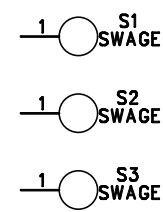
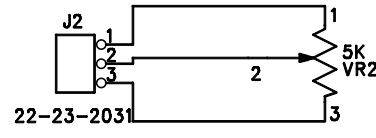
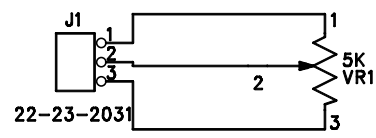
B

B

A

A

REVISION RECORD			
LTR	ECO NO:	APPROVED:	DATE:



COMPANY:CREST AUDIO INC 100 EISENHOWER DR. PARAMUS, NJ 07652

TITLE: V SERIES FRONT MOUNT POT PCB

DRAWN:	DATED:
CHECKED:	DATED:
QUALITY CONTROL:	DATED:
RELEASED:	DATED:

CODE:	SIZE:A	DRAWING NO:	REV:00
-------	--------	-------------	--------

SCALE: SHEET: OF

6 5 4 3 2 1

D

D

C

C

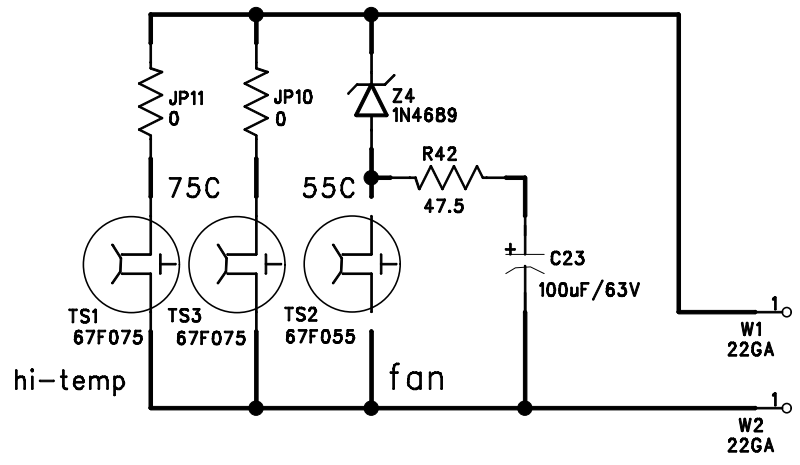
B

B

A

A

REVISION RECORD			
LTR	ECO NO:	APPROVED:	DATE:



PCB1  
 PCB  
 26C2282-01  
 V/VS SERIES TEMP SENSE PCB

COMPANY:  
 CREST AUDIO INC., 100 EISENHOWER DR. PARAMUS, NJ 07652

TITLE:  
 V/VS SERIES TEMPERATURE SENSOR BOARD

DRAWN:	DATED:
CHECKED:	DATED:
QUALITY CONTROL:	DATED:
RELEASED:	DATED:

CODE:	SIZE: A	DRAWING NO: 21A2281	REV: 00
-------	------------	------------------------	------------

SCALE: SHEET:3 OF 8

6

5

4

3

2

1

REVISION RECORD			
LTR	ECO NO:	APPROVED:	DATE:

D

D

C

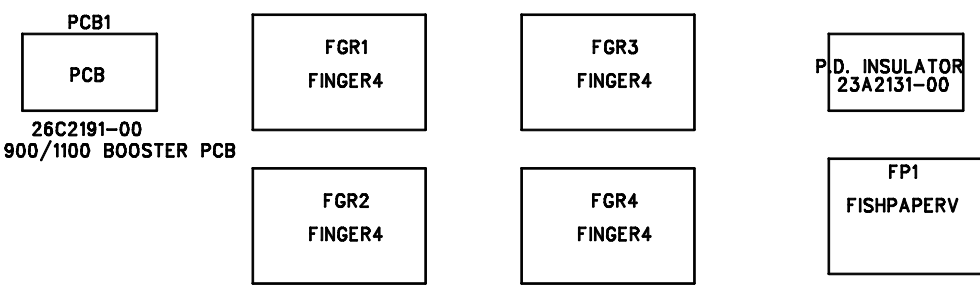
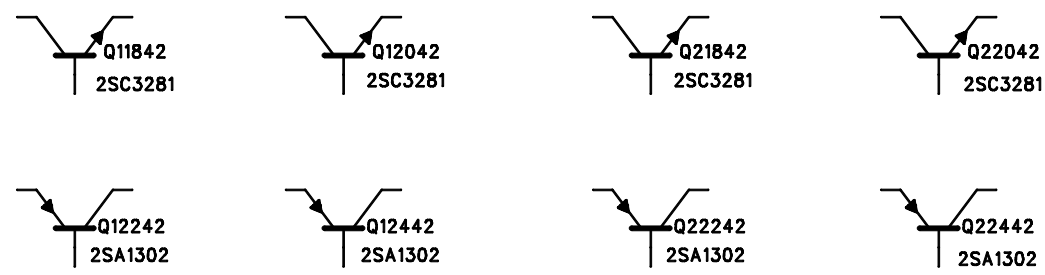
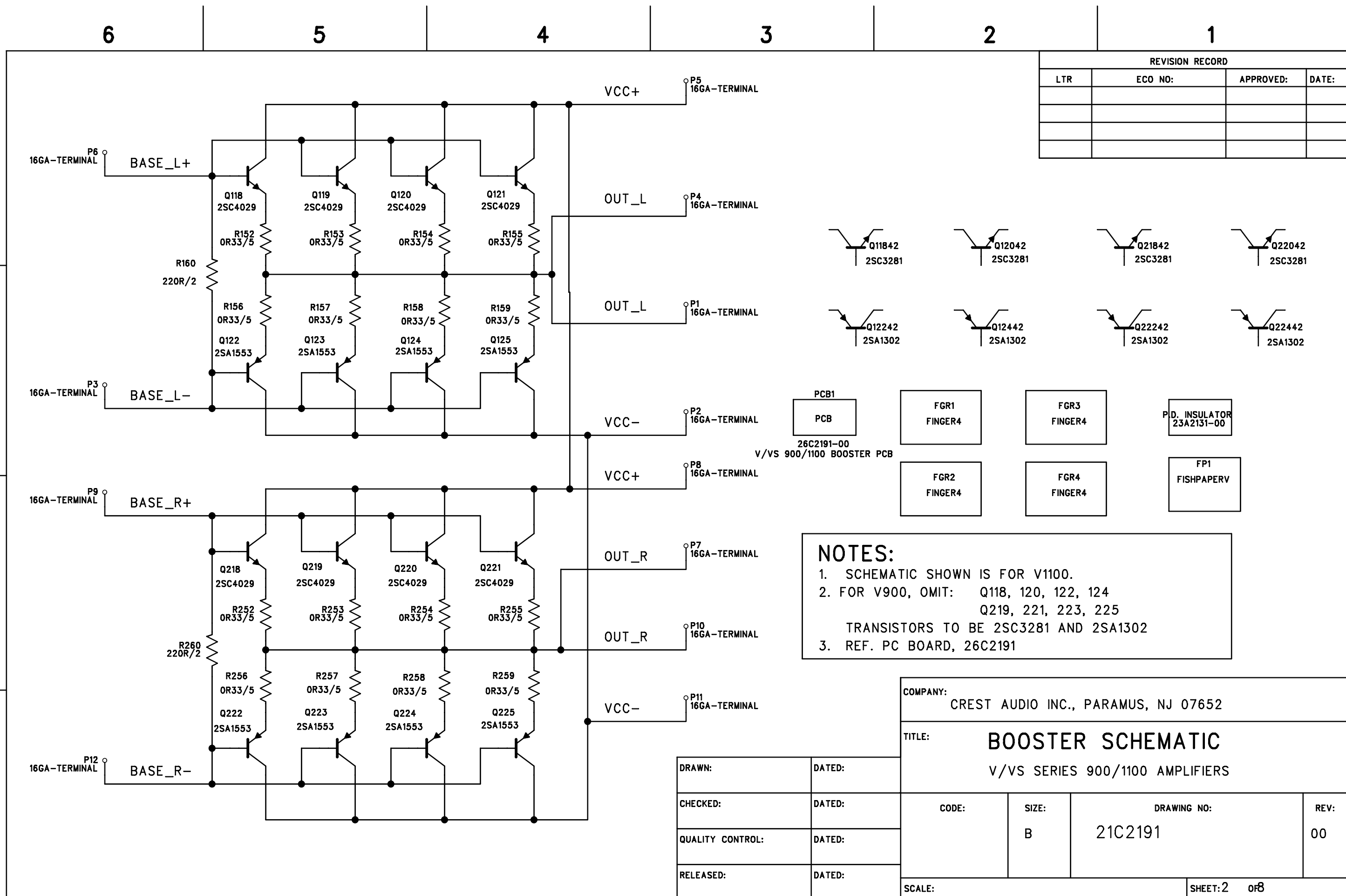
C

B

B

A

A



**NOTES:**  
 1. SCHEMATIC SHOWN IS FOR V1100.  
 2. FOR V900, OMIT: Q118, 120, 122, 124  
                           Q219, 221, 223, 225  
                           TRANSISTORS TO BE 2SC3281 AND 2SA1302  
 3. REF. PC BOARD, 26C2191

COMPANY: CREST AUDIO INC., PARAMUS, NJ 07652			
TITLE: <b>BOOSTER SCHEMATIC</b> V/V/S SERIES 900/1100 AMPLIFIERS			
CODE:	SIZE: B	DRAWING NO: 21C2191	REV: 00
SCALE:			SHEET: 2 of 8

DRAWN:	DATED:
CHECKED:	DATED:
QUALITY CONTROL:	DATED:
RELEASED:	DATED:

6

5

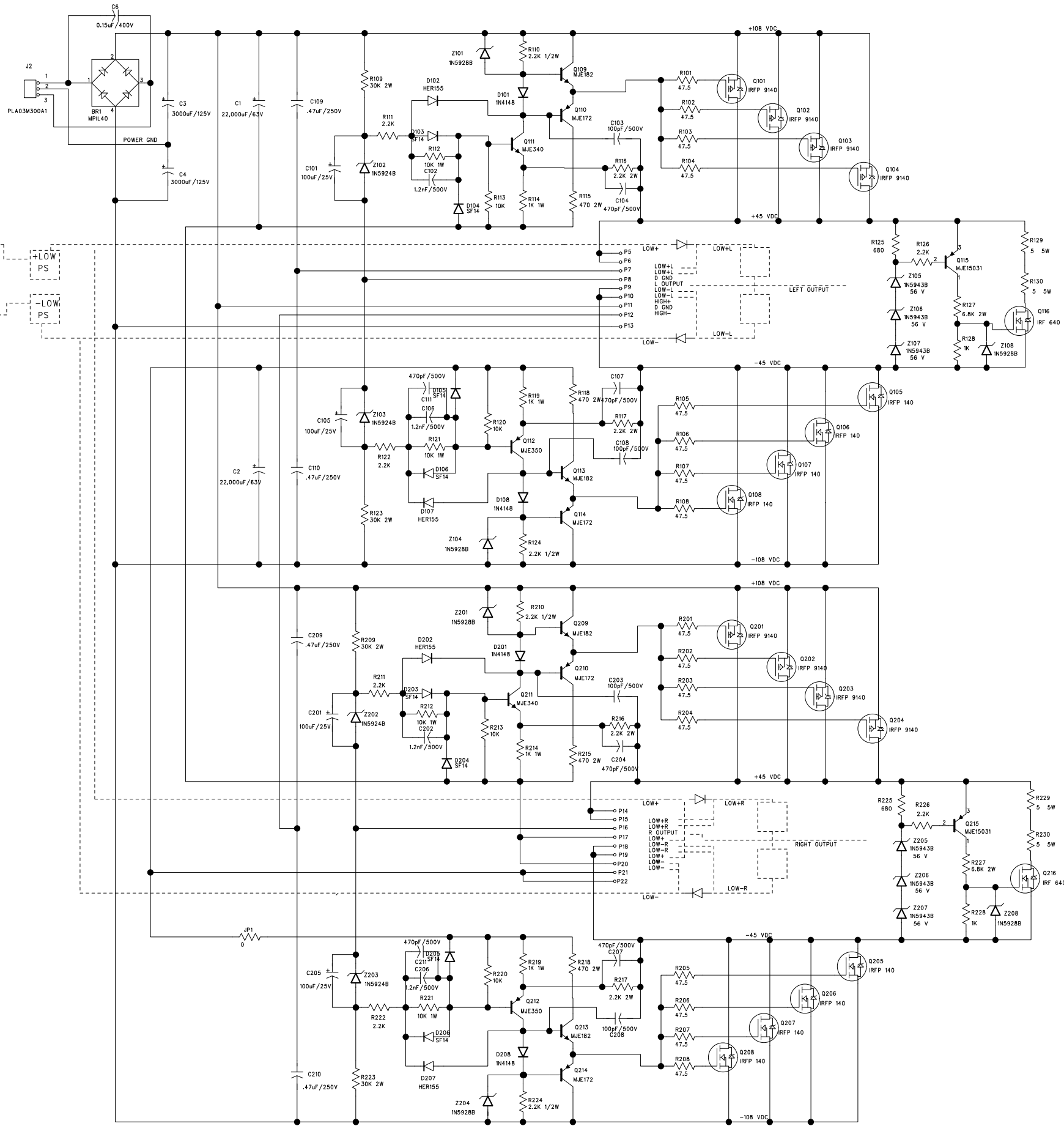
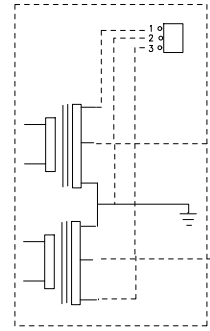
4

3

2

1

REVISION RECORD			
LTR	ECO NO:	APPROVED:	DATE:



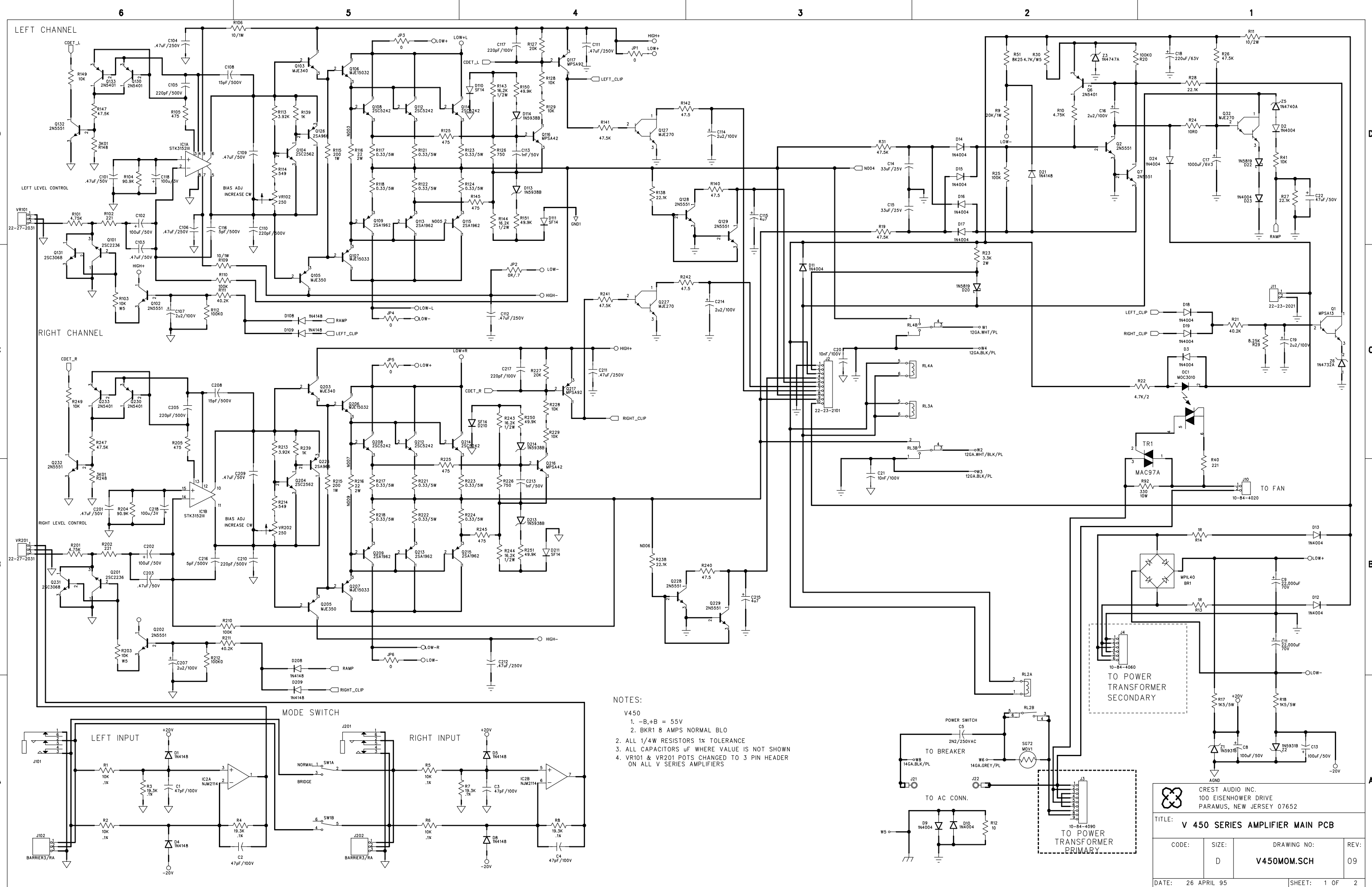
J9 CONNECTOR			
PAD	DESCRIPTION	COLOR	PIN
P8	LEFT OUTPUT	W	1
P5	LOW + L	R/B	2
P11	+ HIGH	R	3
P9	LOW - L	G/B	4
P6	LOW + L	R/B	5
P7	GND	B	6
P10	LOW - L	G/B	7
P12	GND	B	8
P13	- HIGH	G	9

J5 CONNECTOR			
PAD	DESCRIPTION	COLOR	PIN
P21	LOW -	G	1
P18	LOW - R	G/B	2
P16	OUTPUT	W	3
P22	LOW -	G	4
P19	LOW - R	G/B	5
P14	LOW + R	R/B	6
P17	LOW +	R	7
P20	LOW +	R	8
P15	LOW + R	R/B	9

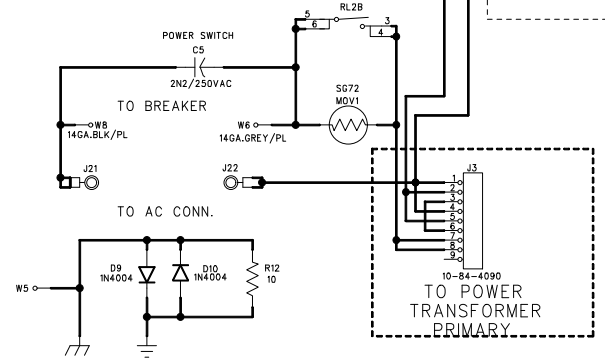
DRAWN:	DATED:
CHECKED:	DATED:
QUALITY CONTROL:	DATED:
RELEASED:	DATED:


COMPANY:			
TITLE: V SERIES CLASS H HIGH RAIL PCB			
CODE:	SIZE:	DRAWING NO: 21C1997	REV: 01
SCALE:		SHEET: 1 of 1	

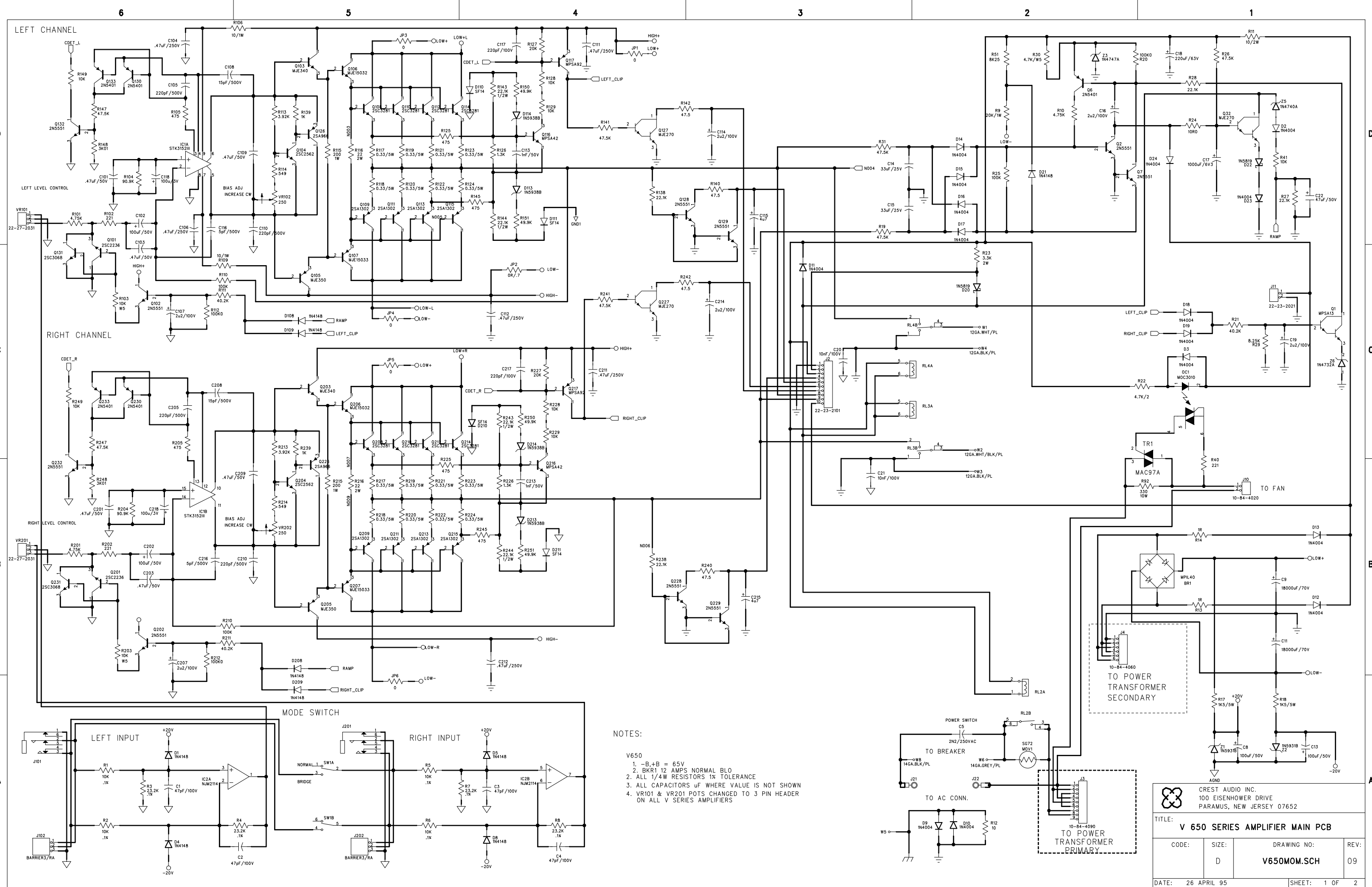




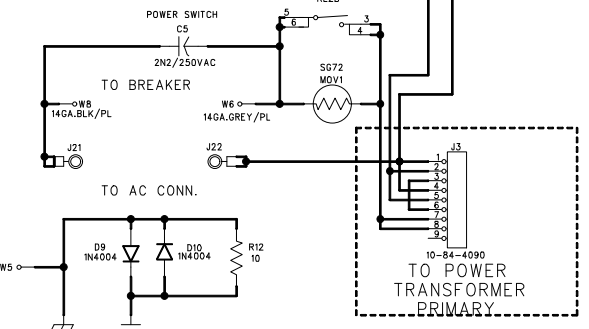
- NOTES:
- V450
  - B,+B = 55V
  - BKR1 8 AMPS NORMAL BLO
  - ALL 1/4W RESISTORS 1% TOLERANCE
  - ALL CAPACITORS  $\mu$ F WHERE VALUE IS NOT SHOWN
  - VR101 & VR201 POTS CHANGED TO 3 PIN HEADER ON ALL V SERIES AMPLIFIERS




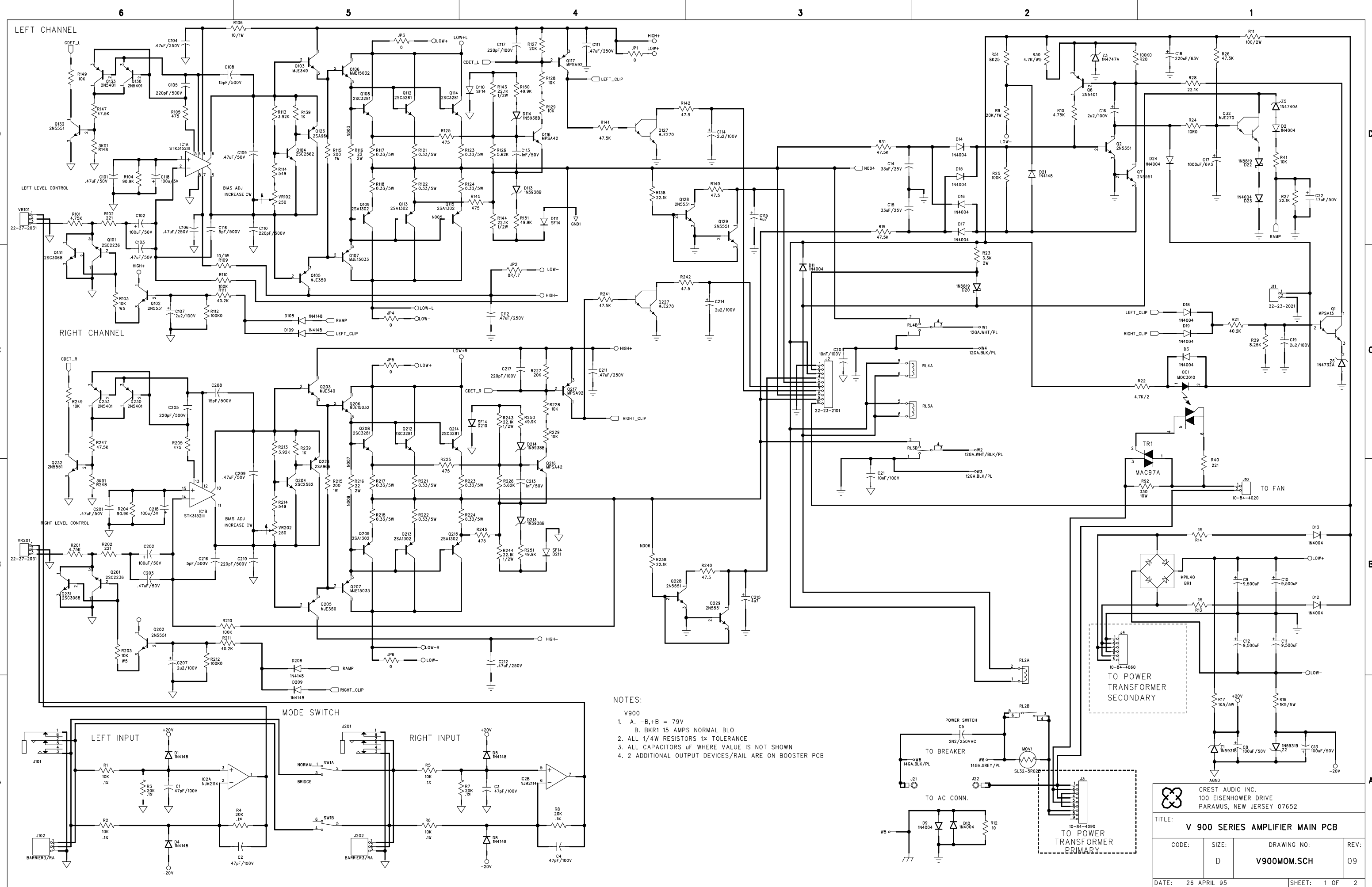
 CREST AUDIO INC. 100 EISENHOWER DRIVE PARAMUS, NEW JERSEY 07652			
TITLE: V 450 SERIES AMPLIFIER MAIN PCB			
CODE: D	SIZE: V450MOM.SCH	DRAWING NO:	REV: 09
DATE: 26 APRIL 95	SHEET: 1 OF 2		



NOTES:  
 V650  
 1. -B,+B = 65V  
 2. BKR1 12 AMPS NORMAL BLO  
 3. ALL 1/4W RESISTORS 1% TOLERANCE  
 4. VR101 & VR201 POTS CHANGED TO 3 PIN HEADER ON ALL V SERIES AMPLIFIERS

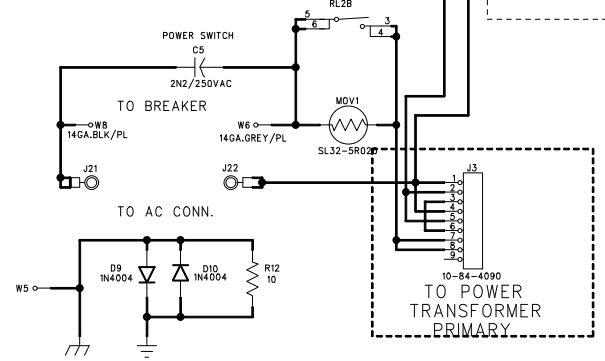



 CREST AUDIO INC. 100 EISENHOWER DRIVE PARAMUS, NEW JERSEY 07652			
TITLE: V 650 SERIES AMPLIFIER MAIN PCB			
CODE: D	SIZE:	DRAWING NO: V650MOM.SCH	REV: 09
DATE: 26 APRIL 95		SHEET: 1 OF 2	

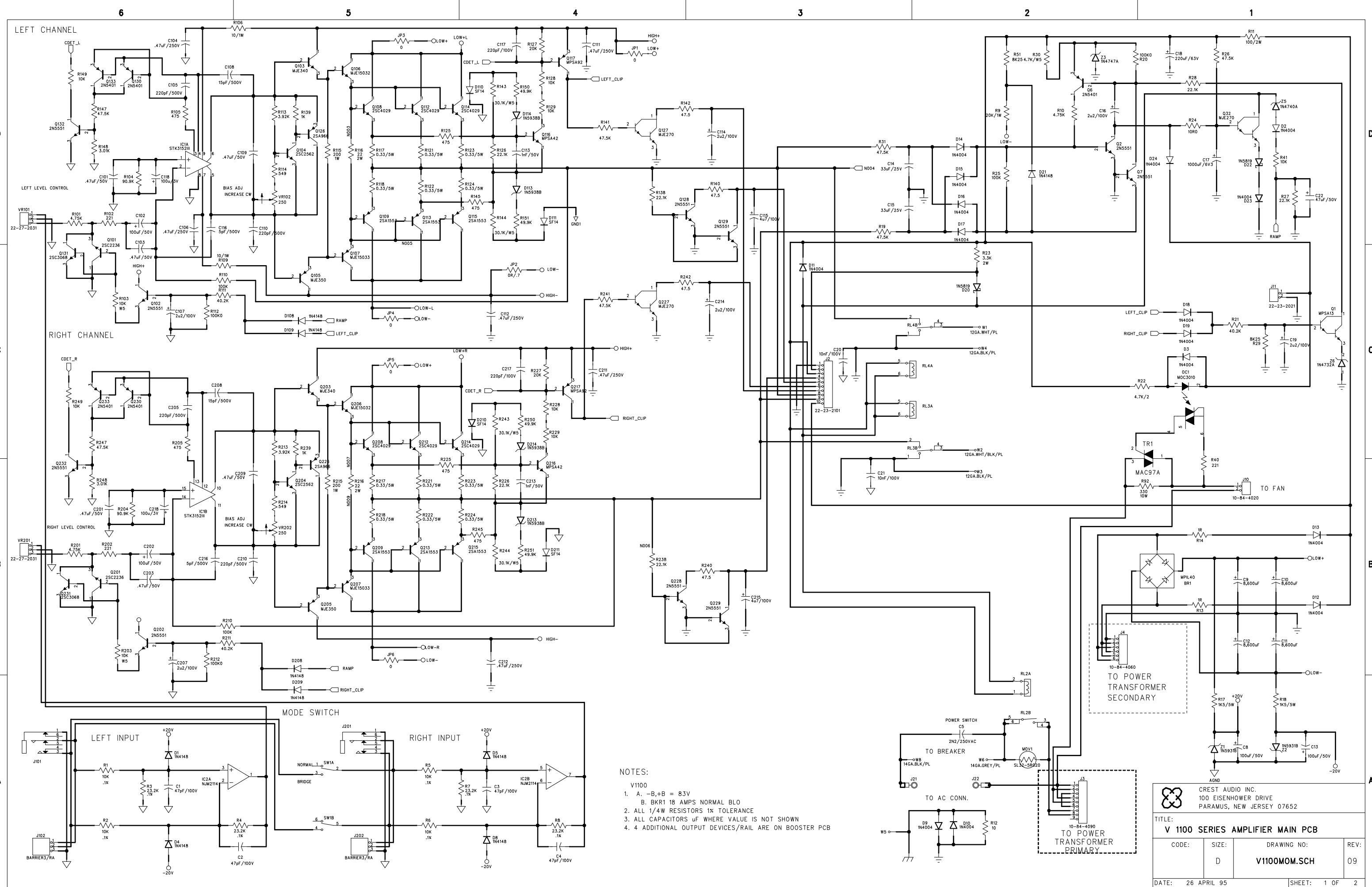


**NOTES:**


- V900
- 1. A. -B,+B = 79V
- B. BKR1 15 AMPS NORMAL BLO
- 2. ALL 1/4W RESISTORS 1% TOLERANCE
- 3. ALL CAPACITORS IF WHERE VALUE IS NOT SHOWN
- 4. 2 ADDITIONAL OUTPUT DEVICES/RAIL ARE ON BOOSTER PCB

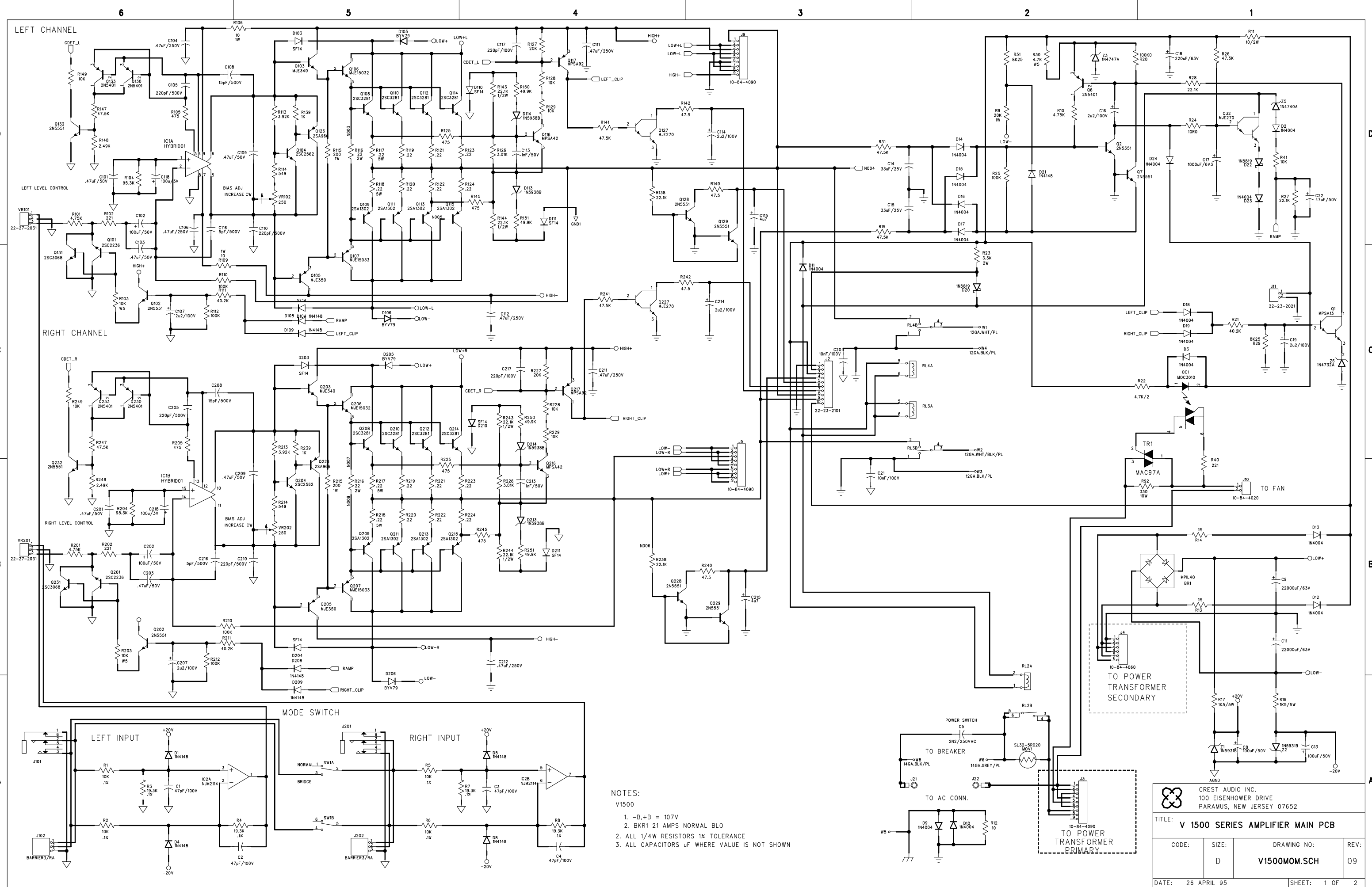


 <b>CREST AUDIO INC.</b> 100 EISENHOWER DRIVE PARAMUS, NEW JERSEY 07652			
TITLE: <b>V 900 SERIES AMPLIFIER MAIN PCB</b>			
CODE: <b>D</b>	SIZE: <b>V900MOM.SCH</b>	DRAWING NO:	REV: <b>09</b>
DATE: 26 APRIL 95		SHEET: 1 OF 2	




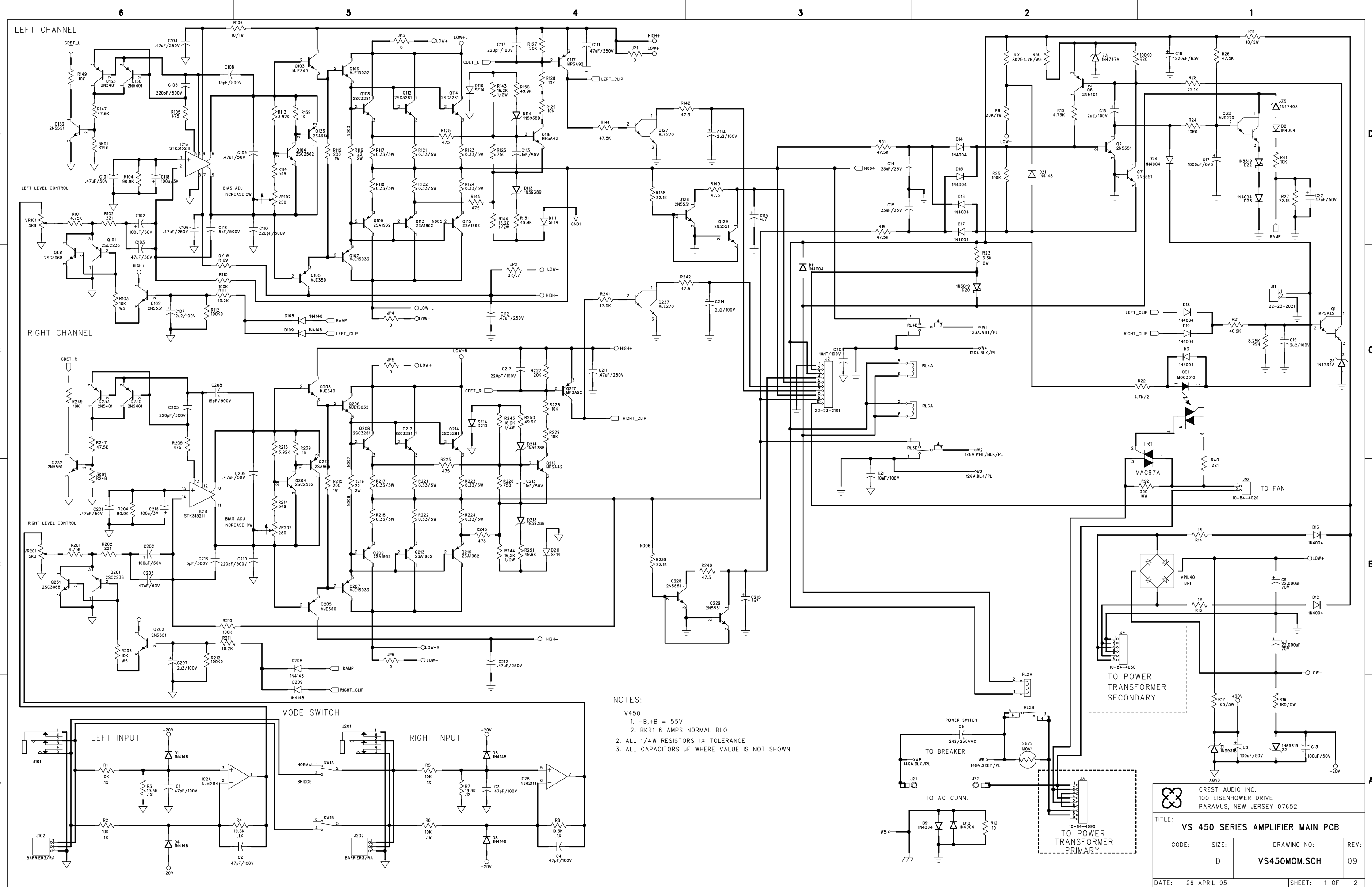
NOTES:  
 V1100  
 1. A. -B,+B = 83V  
 B. BK1 18 AMPS NORMAL BLO  
 2. ALL 1/4W RESISTORS 1% TOLERANCE  
 3. ALL CAPACITORS IF WHERE VALUE IS NOT SHOWN  
 4. 4 ADDITIONAL OUTPUT DEVICES/RAIL ARE ON BOOSTER PCB

 CREST AUDIO INC. 100 EISENHOWER DRIVE PARAMUS, NEW JERSEY 07652			
TITLE: V 1100 SERIES AMPLIFIER MAIN PCB			
CODE: D	SIZE:	DRAWING NO: V1100MOM.SCH	REV: 09
DATE: 26 APRIL 95		SHEET: 1 OF 2	




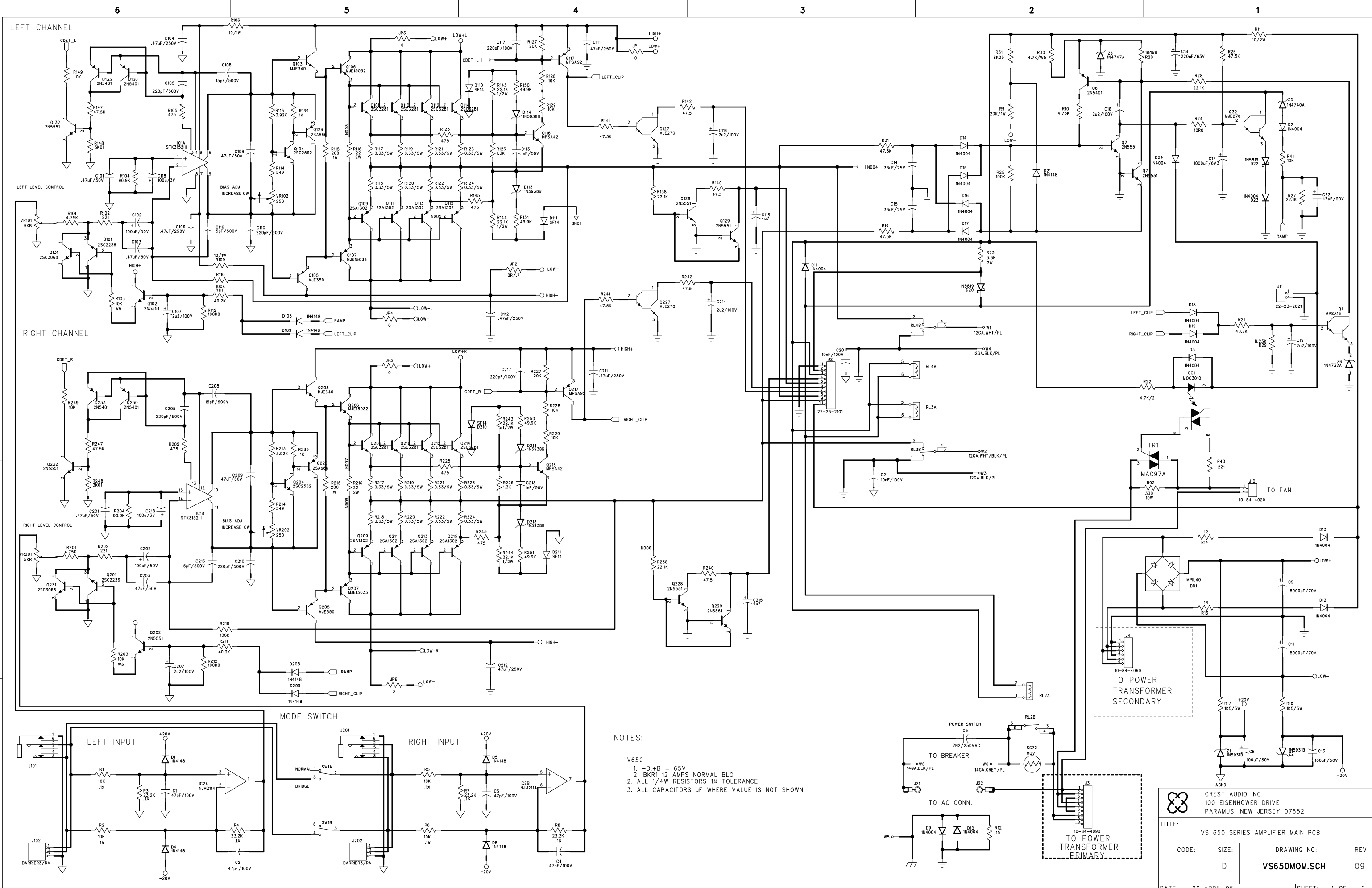
NOTES:  
 V1500  
 1. -B,+B = 107V  
 2. BK1 21 AMPS NORMAL BLO  
 3. ALL 1/4W RESISTORS 1% TOLERANCE  
 4. ALL CAPACITORS uF WHERE VALUE IS NOT SHOWN

 CREST AUDIO INC. 100 EISENHOWER DRIVE PARAMUS, NEW JERSEY 07652			
TITLE: V 1500 SERIES AMPLIFIER MAIN PCB			
CODE: D	SIZE: V1500MOM.SCH	DRAWING NO:	REV: 09
DATE: 26 APRIL 95	SHEET: 1 OF 2		




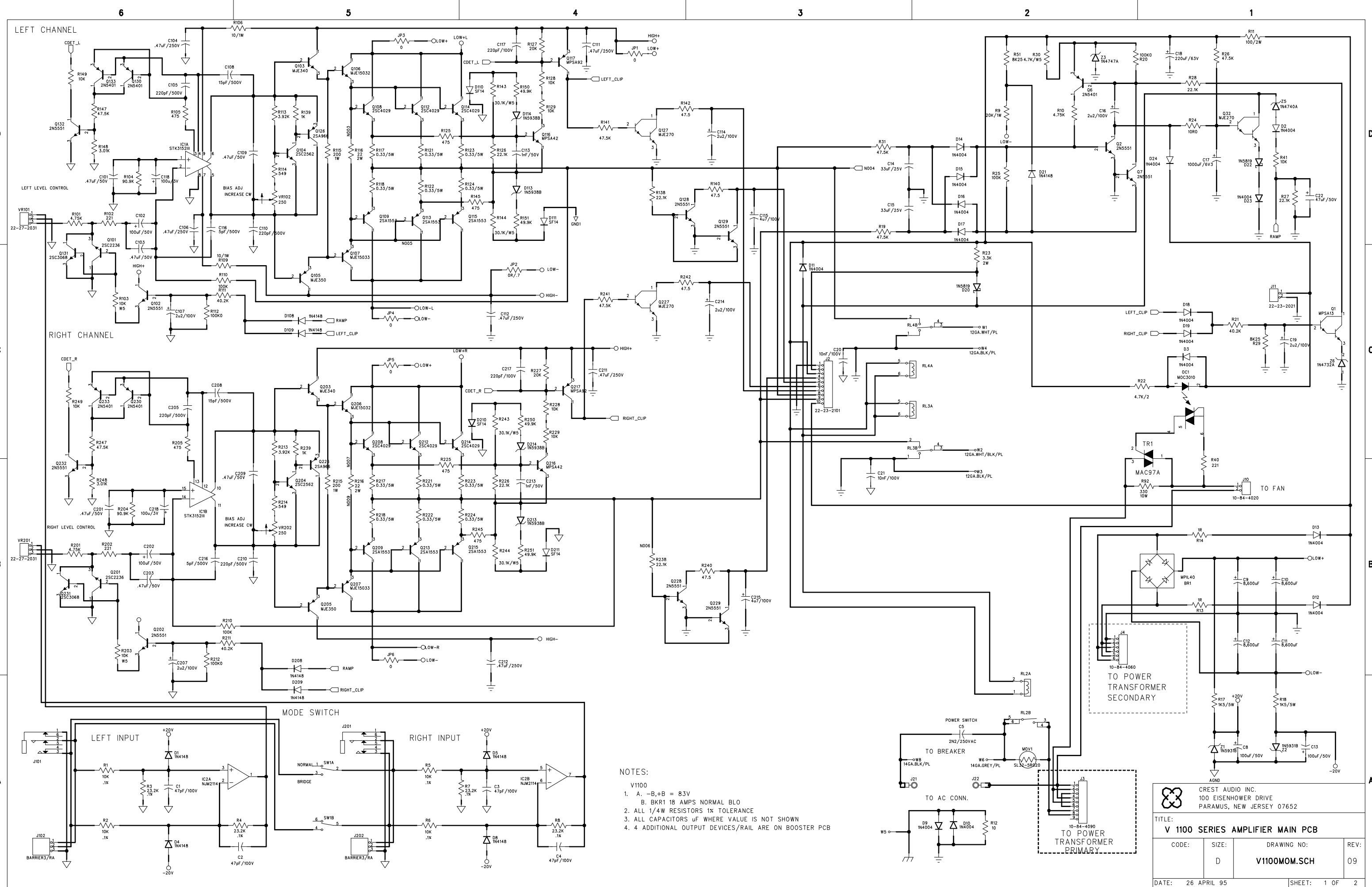
NOTES:  
 V450  
 1. -B,+B = 55V  
 2. BKR1 8 AMPS NORMAL BLO  
 3. ALL 1/4W RESISTORS 1% TOLERANCE  
 4. ALL CAPACITORS uF WHERE VALUE IS NOT SHOWN

 CREST AUDIO INC. 100 EISENHOWER DRIVE PARAMUS, NEW JERSEY 07652			
TITLE: VS 450 SERIES AMPLIFIER MAIN PCB			
CODE: D	SIZE: VS450MOM.SCH	DRAWING NO:	REV: 09
DATE: 26 APRIL 95		SHEET: 1 OF 2	




NOTES:  
 V650  
 1. -B,+B = 65V  
 2. BKR1 12 AMPS NORMAL BLO  
 3. ALL 1/4W RESISTORS 1% TOLERANCE  
 3. ALL CAPACITORS UF WHERE VALUE IS NOT SHOWN

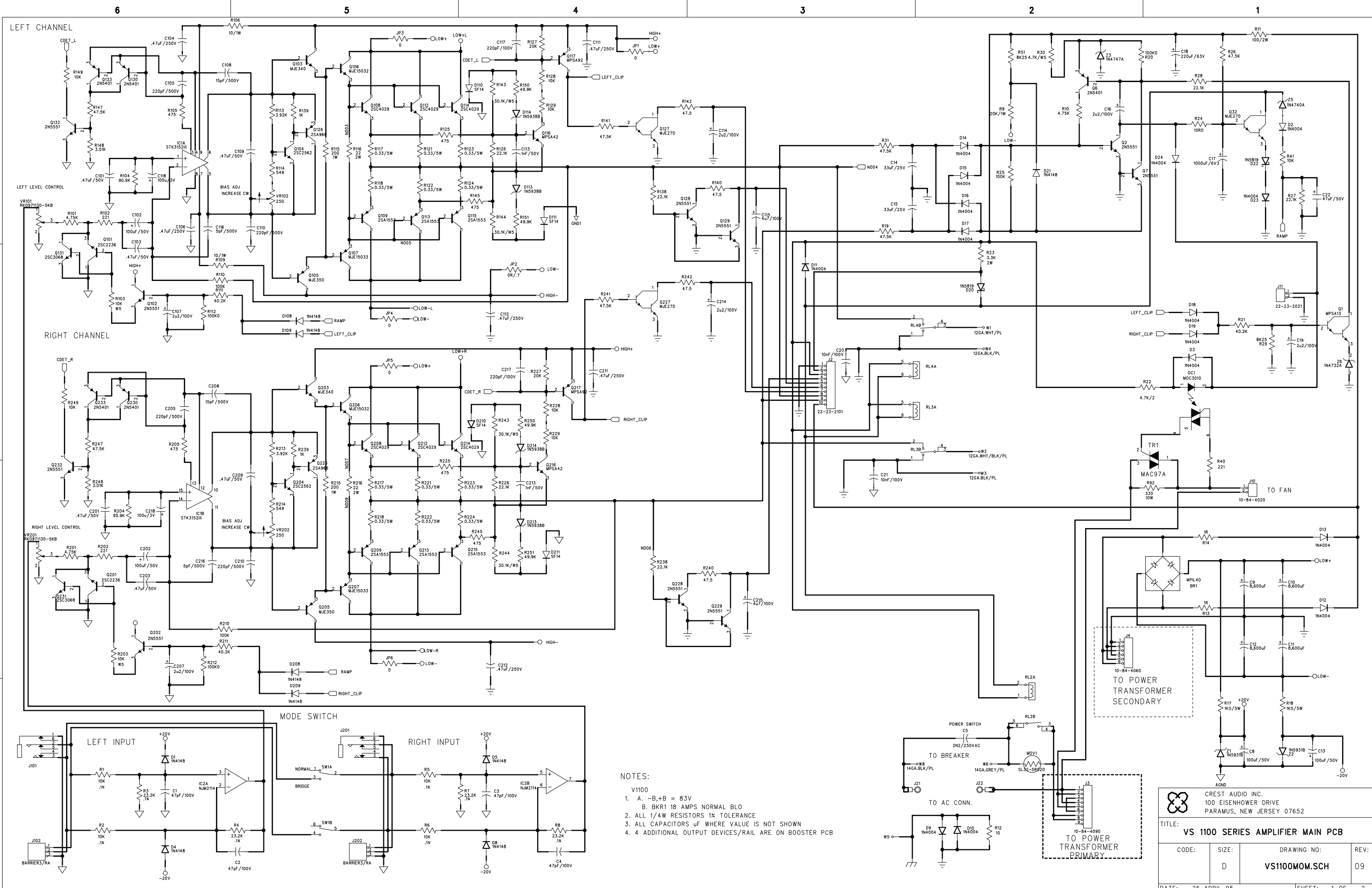
 CREST AUDIO INC. 100 EISENHOWER DRIVE PARAMUS, NEW JERSEY 07652			
TITLE: VS 650 SERIES AMPLIFIER MAIN PCB			
CODE: D	SIZE:	DRAWING NO: VS650MOM.SCH	REV: 09
DATE: 26 APRIL 95		SHEET: 1 OF 2	



NOTES:  
 V1100  
 1. A, -B, +B = 83V  
 B. BK1 18 AMPS NORMAL BLO  
 2. ALL 1/4W RESISTORS 1% TOLERANCE  
 3. ALL CAPACITORS IF WHERE VALUE IS NOT SHOWN  
 4. 4 ADDITIONAL OUTPUT DEVICES/RAIL ARE ON BOOSTER PCB

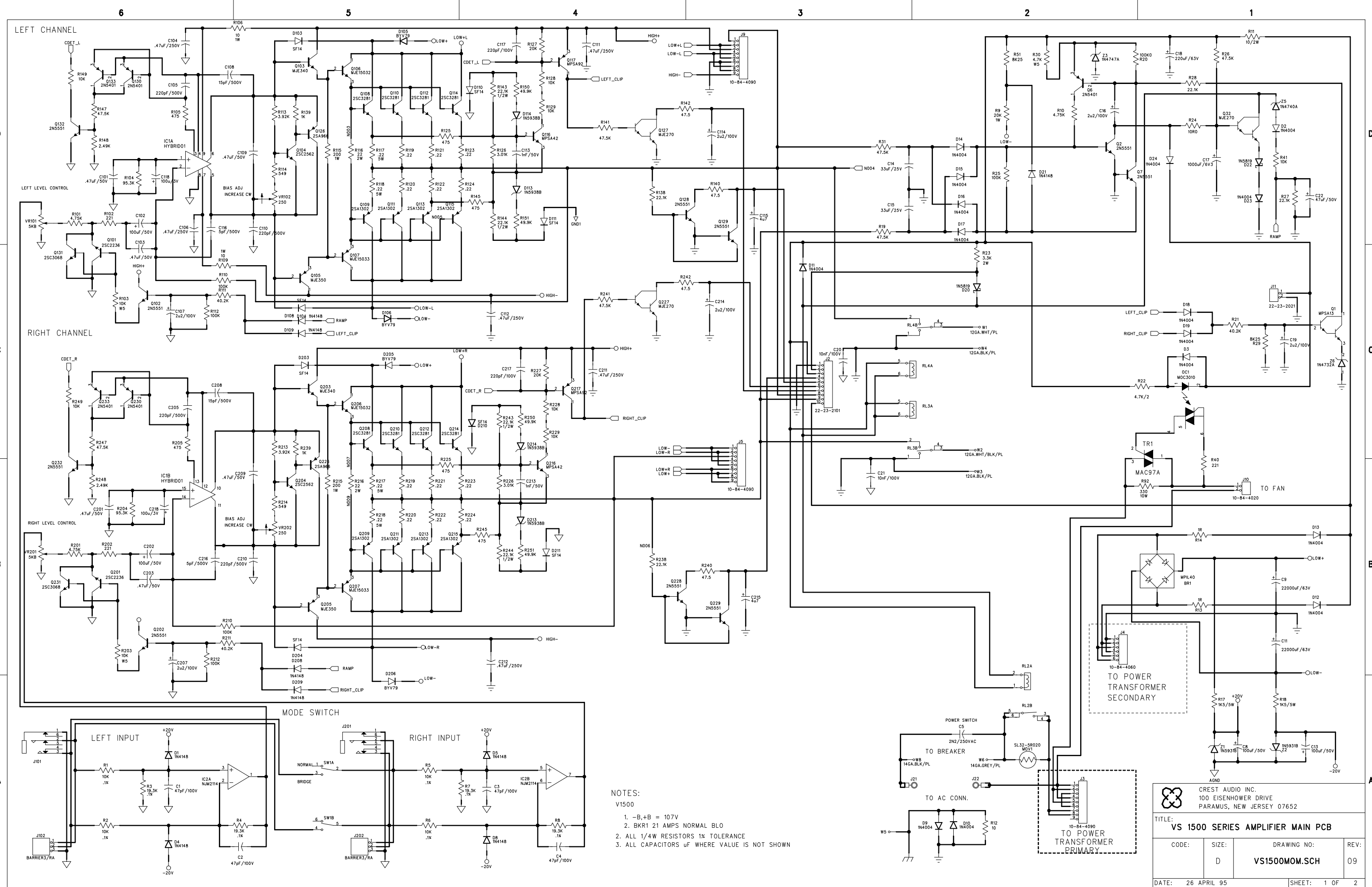
 CREST AUDIO INC. 100 EISENHOWER DRIVE PARAMUS, NEW JERSEY 07652			
TITLE: V 1100 SERIES AMPLIFIER MAIN PCB			
CODE: D	SIZE:	DRAWING NO: V1100MOM.SCH	REV: 09
DATE: 26 APRIL 95		SHEET: 1 OF 2	






NOTES:  
 V1100  
 1. A, -B, +B = 83V  
 B. BKR1 18 AMPS NORMAL BLO  
 2. ALL 1/4W RESISTORS 1% TOLERANCE  
 3. ALL CAPACITORS IF WHERE VALUE IS NOT SHOWN  
 4. 4 ADDITIONAL OUTPUT DEVICES/RAIL ARE ON BOOSTER PCB

CREST AUDIO INC. 100 EISENHOWER DRIVE PARAMUS, NEW JERSEY 07652			
TITLE: VS 1100 SERIES AMPLIFIER MAIN PCB			
CODE: D	SIZE: VS1100MOM.SCH	DRAWING NO:	REV: 09
DATE: 26 APRIL 95		SHEET: 1 OF 2	



NOTES:  
 V1500  
 1. -B,+B = 107V  
 2. BK1 21 AMPS NORMAL BLO  
 3. ALL 1/4W RESISTORS 1% TOLERANCE  
 4. ALL CAPACITORS uF WHERE VALUE IS NOT SHOWN

 CREST AUDIO INC. 100 EISENHOWER DRIVE PARAMUS, NEW JERSEY 07652			
TITLE: VS 1500 SERIES AMPLIFIER MAIN PCB			
CODE: D	SIZE: VS1500MOM.SCH	DRAWING NO:	REV: 09
DATE: 26 APRIL 95		SHEET: 1 OF 2	