



CENTURY POWER SUPPLY SCHEMATICS

4 Amp Power Supply Model XCPS-40 / XCVA-40
6 Amp Power Supply Model XCPS-60 / XCVA-60

DESCRIPTION

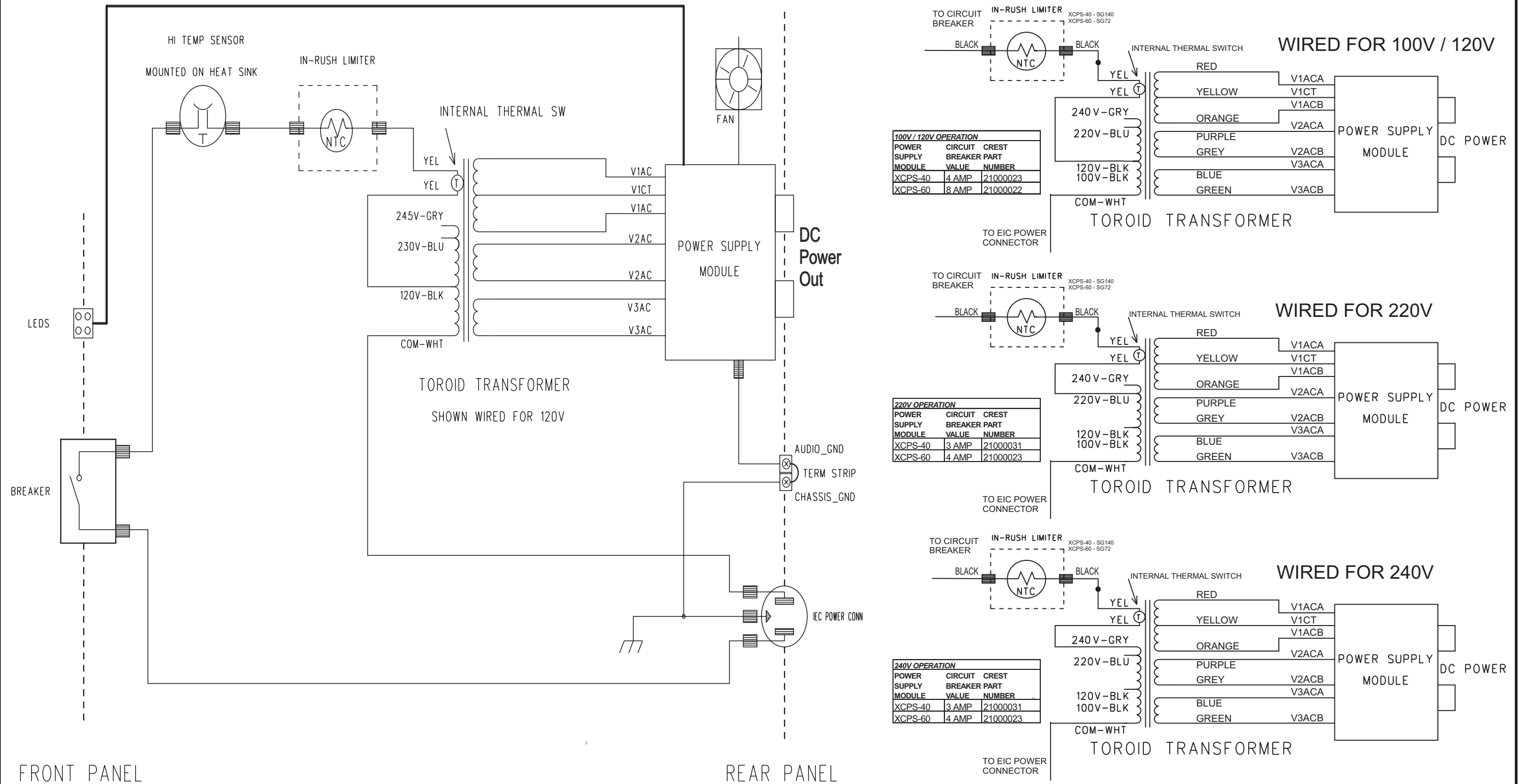
SCHEMATIC #

BLOCK DIAGRAM AND TRANSFORMER WIRING OPTIONS	1
FRONT OF MODULE, LED DISPLAY, BRIDGE RECTIFIERS	2
REAR POWER MODULE PCB	3

CENTURY POWER SUPPLY

Block diagram

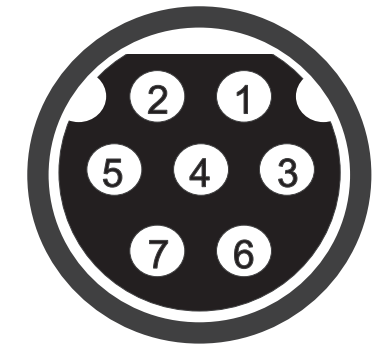
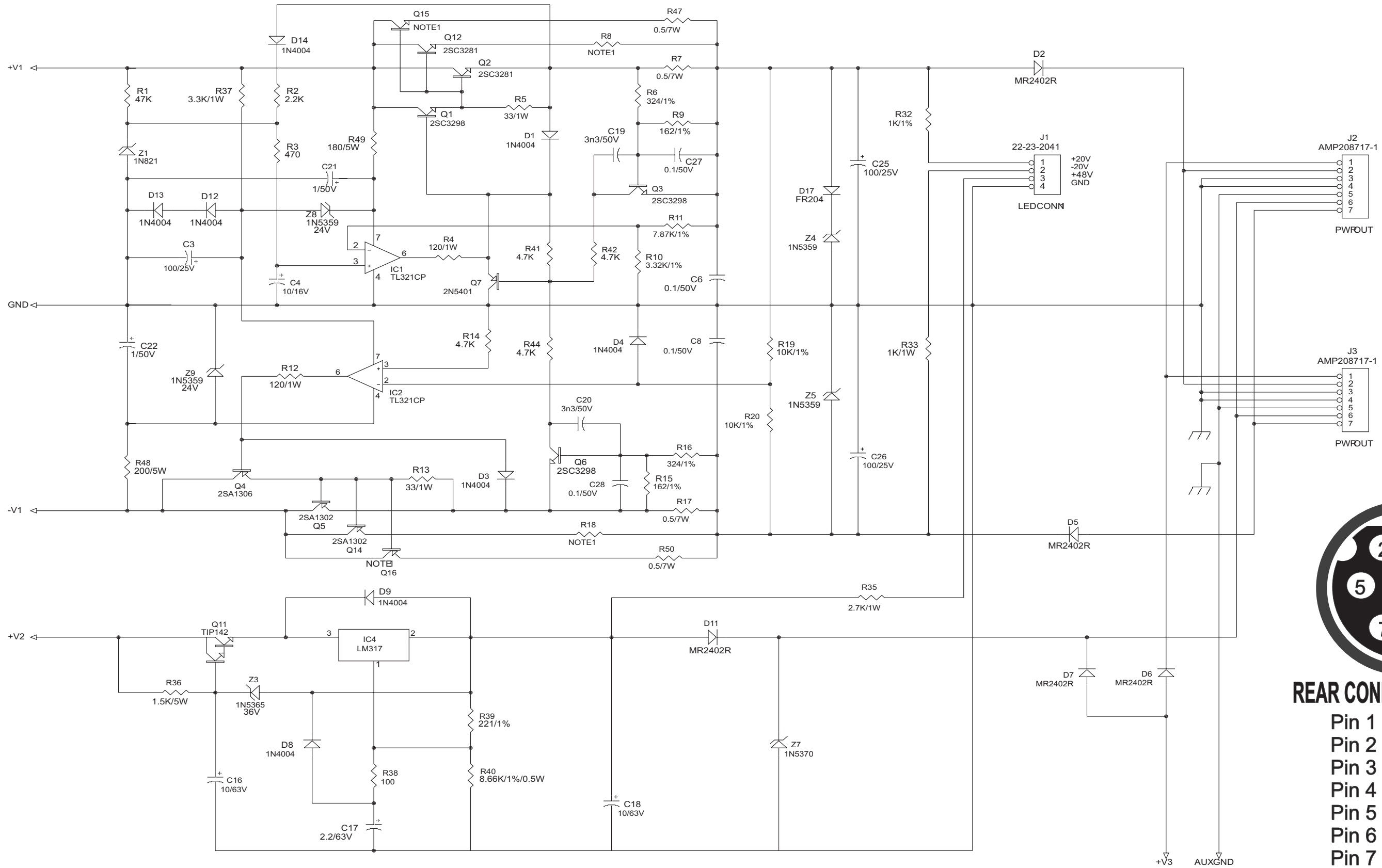
Transformer wiring options for 100V/120V, 220V & 240V





CENTURY POWER SUPPLY

Rear power module PCB



REAR CONNECTOR PIN OUT

- Pin 1 +24 VDC
- Pin 2 +20 VDC
- Pin 3 Analog GND
- Pin 4 Analog GND
- Pin 5 Digital GND
- Pin 6 +48 VDC
- Pin 7 -20 VDC

Part#	Description
10000001	BARRIER STRIP 2POS,375CENT
10500001	BARRIER JUMPER 02POS,375CENT
12000002	CAP ALEL RL 1U 20% 50V
12000004	CAP ALEL RL 10U 20% 25V
12000004	CAP ALEL RL 10U 20% 25V
12000006	CAP ALEL RL 10U 20% 100V .
12000026	CAP ALEL RL 1000U 20% 80V
12000034	CAP ALEL RL 100U 20% 50V
12000034	CAP ALEL RL 100U 20% 50V
14000014	CAP POST RL 2.2U 5% 63V .59
14000039	CAP POST RL .1U 50V
14000039	CAP POST RL .1U 50V
14000046	CAP POST RL .0033U 50V
14000077	CAP POME RL .33U 20% 250V .8
18000023	CAP ALEL RL 31000U 40V
18000026	CAP ALEL RL 18000U 50V
21000020	CB 12 AMP R11-62F-12.0A-B01CV-V
23000068	CONN AMP 208717-1
23000069	CONN AMP 66473-9 PCB GOLD SOCKET
24000163	CONN 08-55-0102 TERM .1 22-30GA
24000173	CONN 22-23-2041
24000173	CONN 22-23-2041
24000174	CONN 22-23-2021
24000175	CONN 22-23-2061
24000176	CONN 22-01-2067
24000177	CONN 22-01-2047
24000177	CONN 22-01-2047
24000178	CONN 22-01-2027
24600001	CONN AC POWER RECEPTICAL
25000001	CONN SPLICE PURPLE 36965
27000006	DIODE FR204-BTR (T
27000007	DIODE 1N821 5% (T
27000007	DIODE 1N821 5% (T
27000008	DIODE 1N4004 (T
27000008	DIODE 1N4004 (T
27000012	DIODE 1N5359B 5% 24V (T
27000013	DIODE 1N5363B 30V (T
27000046	DIODE 1N5365 5% 36V (T
27000060	DIODE 1N5362 10% 28V 5W ZENER(T
27000061	DIODE 1N5370 10% 56V (T
28000003	FAN 24V DC
31600002	LED SPACER RICHCO #LEDS2M-400-4
31800001	FOAM, 1/4 X 1/2 X 3 1/8 BLK
33000008	SCR PAN P U632 04 ST BZ MACH
33000021	SCR PAN P U632 12 ST BZ MACH
33000025	SCR PAN P U632 40 ST CZ MACH
33000027	SCR PAN P U420 12 ST BZ MACH
33000027	SCR PAN P U420 12 ST BZ MACH
35000001	SCR PSM P U440 08 ST BZ MACH
35000001	SCR PSM P U440 08 ST BZ MACH
35000006	SCR PSM P U440 12 ST BZ MACH
37000008	SCR FLT P U632 08 ST BZ MACH
38000001	SCR UFL P U632 04 SS BP MACH
38000005	SCR UFL P U032 06 ST BZ MACH
39000001	SCR CAP H U440 08 ST PO MACH
43000022	SCR PAN P FT08 06 ST BZ TFAB
43700002	SCR TRU P U032 10 SS BP MACH
44000003	KEP NUT 6-32 (LARGE) STEEL ZINC
44000003	KEP NUT 6-32 (LARGE) STEEL ZINC
45000001	PEM NUT KFS2-632 6-32
47300015	BRACKET ZIERICK #370 STD.
47300060	BRACKET ZIERICK #865 "L"
48000001	WASHER STEEL #4
48000007	WASHER .13X.5X.03 RIVET BUR FL
52000003	SHOULDER WASHER 23A2419-00 #4
52000005	SHOULDER WASHER KEYSTONE #7683
54100001	HEATSINK 77D1513-01 CREST CONSOL
55000019	MICA TO - 220 THICK
55000020	MICA INSULATOR TO-3P TO-218 TO-2
56000012	FISH PAPER 3-1/4 X 15-1/4 W/ADH
57000107	IC LT1006CN8 SING SPLY, SING OPA
57000107	IC LT1006CN8 SING SPLY, SING OPA
60000008	LED L53GD GRN
61000007	LUG 1/4" PUSH-ON FULL INS 16-14
61000016	LUG 1/4" PUSH-ON FULL INS 12-10
62100001	COV 77D1519-00 CONSOLE PS
63100001	CHS 77D1514-00* 2SP CONS PS
65000062	SUPPORT BRKT 27A1261-01*FCV220/4

66000002	CABLE CLAMP 1/4 DIA X 3/8 WIDE N
69200011	PCB 26C1511-04 CREST CON. P SUPP
69200012	PCB 26D1587-00 CREST CON. P SUPP
69200015	PCB 26D1639-00 CREST CONS PS DPL
69200019	PCB 26B1887-00 PSPLY IN-RUSH LIM
70000008	RECTIFIER MP14040W BRIDGE
70000009	RECTIFIER MR2402R
70000029	RECTIFIER RS402 TL401G
71000019	REGULATOR LM317T METAL TAB TO-22
73000001	RES 1K00 1/4W .1% MF
73500011	RES 221R 1/4W 1% MF (PV70240081
73500011	RES 221R 1/4W 1% MF (PV70240081
73500020	RES 750R 1/4W 1% MF
73500023	RES 1K00 1/4W 1% MF (PV70241077
73500036	RES 10K0 1/4W 1% MF (PV70241050
73500043	RES 39K2 1/4W 1% MF
73500058	RES 3K32 1/4W 1% MF
73500058	RES 3K32 1/4W 1% MF
73500127	RES 6K81 1/4W 1% MF (PV70241043
73500236	RES 9K76 1/4W 1% MF
73500237	RES 249R 1/4W 1% MF
73500238	RES 324R 1/4W 1% MF
73500240	RES 162R 1/4W 1% MF
74000002	RES OR 1/4W (PV70240148)
74000009	RES 100R 1/4W 5% CF (PV70240010
74000021	RES 470R 1/4W 5% CF (PV70240015
74000021	RES 470R 1/4W 5% CF (PV70240015
74000033	RES 2K2 1/4W 5% CF (PV70240020
74000033	RES 2K2 1/4W 5% CF (PV70240020
74000037	RES 4K7 1/4W 5% CF (PV70240023
74000042	RES 10K 1/4W 5% CF (PV70240025
74000050	RES 47K 1/4W 5% CF (PV70240031
74000050	RES 47K 1/4W 5% CF (PV70240031
74500004	RES 8K66 1/2W 1% MF
76500001	RES 2R20 1W 5% MO T&R (PV702100
76500011	RES 1K00 1W 5% MO/MF (PV70210000
76500011	RES 1K00 1W 5% MO/MF (PV70210000
76500012	RES 120R 1W 5% MO
76500012	RES 120R 1W 5% MO
76500016	RES 33R0 1W 5% MO
76500016	RES 33R0 1W 5% MO
76500029	RES 2K70 1W 5% MO (PV70210016
76500030	RES 3K30 1W 5% MO
77500008	RES 1K50 5W 5% WW BT
77500014	RES 180R 5W 5% WW BT
77500025	RES 200R 5W 5% WW BT
78100005	RES R500 7W 1% WW RCD
78100005	RES R500 7W 1% WW RCD
81100003	THERMISTOR RODAN SG72
81100012	INRUSH LIMITER SG140 SL15 2R509
83000006	SENSOR LM35DP (TO-202)
83000009	SENSOR TEMP 200F 2455R 8511-6 L2
85000003	SKT LTO308TBB PRECICONTACT 8PIN
85000003	SKT LTO308TBB PRECICONTACT 8PIN
86000010	STANDOFF AL 1/4" ROUND 6-32X1/2A
86000028	STANDOFF 1/4" ROUND 4-40 X .9375
86000033	AL SPACER 1/4" RND #4 X 3/16 SWA
86000034	AL SPACER 1/4" ROUND #4 X .40 SW
86500003	STANDOFF BR 1/4" HEX 6-32X.45 M/
86500015	STD OFF ST 1/4" HEX 6-32 X 1/2" M
87000014	SPACER AL 1/2" ROUND #10 CLEAR
90000003	TAB 1/4" #1021
90000003	TAB 1/4" #1021
90000003	TAB 1/4" #1021
90700002	LABELS 23A2759-01 120 VOLT UNIT
90700081	LABELS 23A2527-01 UL CONSOLE P S
90700132	LABELS 23A3887-00 CE GENERIC
90800055	LABELS 6A POWER SUPPLY
92000001	TIE WRAP 4"
92000005	TIE WRAP PLT4S OR EQUIVALENT
92500001	TIE WRAP HOLDER 3/4" SQ.
93100021	TX 72C1534-03 CONSOLE 6 AMP
94000002	TRANSISTOR 2N5401
94000003	TRANSISTOR 2N5551
94000006	TRANSISTOR 2SA1302-0 (PV7045820
94000010	TRANSISTOR 2SC3281-0 (PV7046820
94000080	TRANSISTOR TIP142
94000080	TRANSISTOR TIP142
94000132	TRANSISTOR 2SA1837 TOSH(PV704018
94000133	TRANSISTOR 2SC4793 TOSH(PV704047
95000003	TUBING HEATSHRINK 3/32" BLACK
96000013	LINE CORD IPC65008A NORTH AMERIC

97510087	WIRE HOOKUP 16GA BLACK UL1015
97510088	WIRE HOOKUP 16GA WHITE UL1015
97510092	WIRE HOOKUP 16GA GREEN/YEL UL101
98500118	WIRE ASSY 73A3647-01
98700252	ASSY PKG CONSOLE 2U PSU
D7000007	CONSOLE WARRANTY SHEET U S & CAN