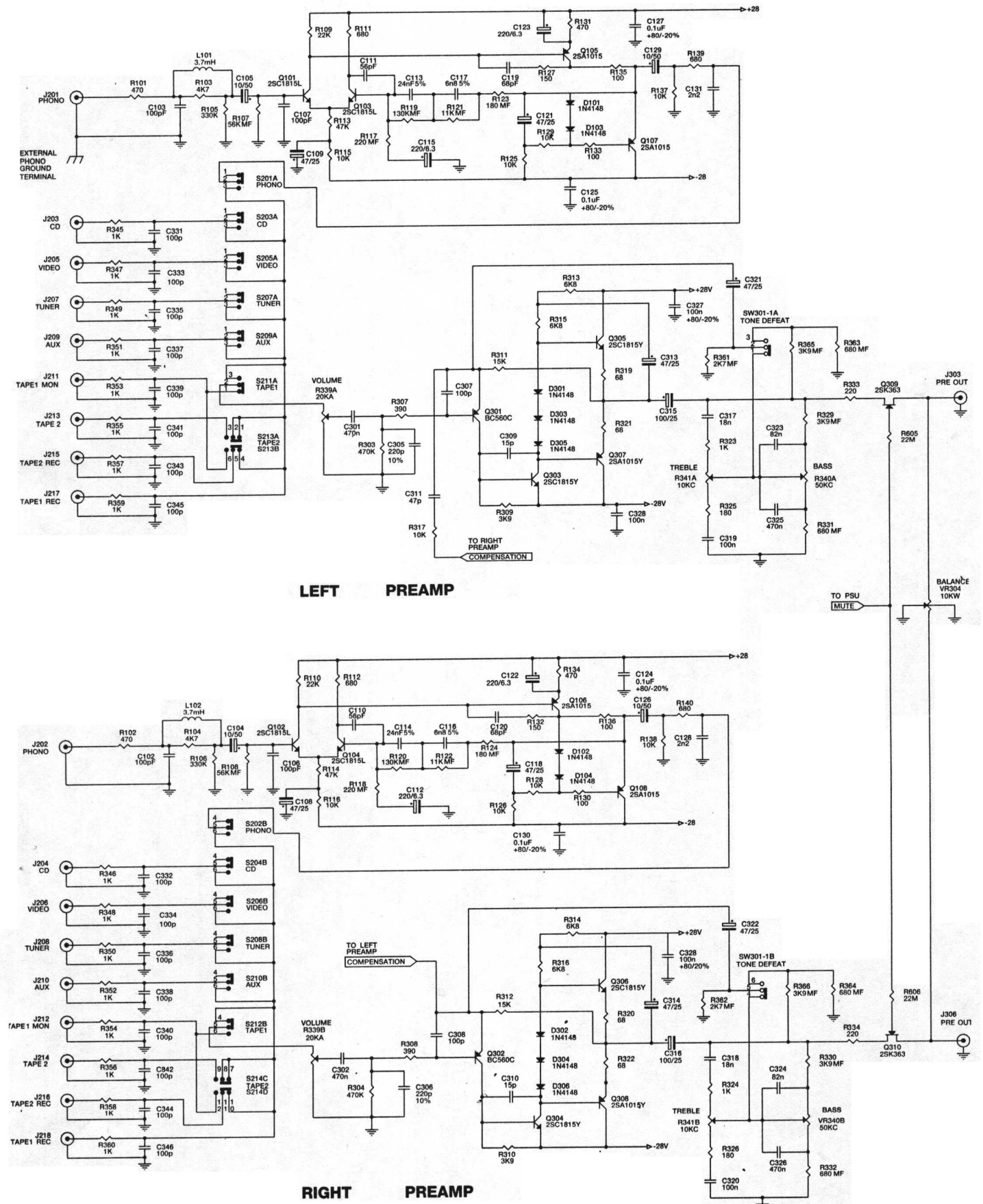


SCHEMATIC DIAGRAM

PREAMP

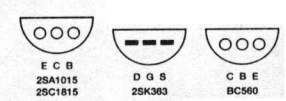


LEFT PREAMP

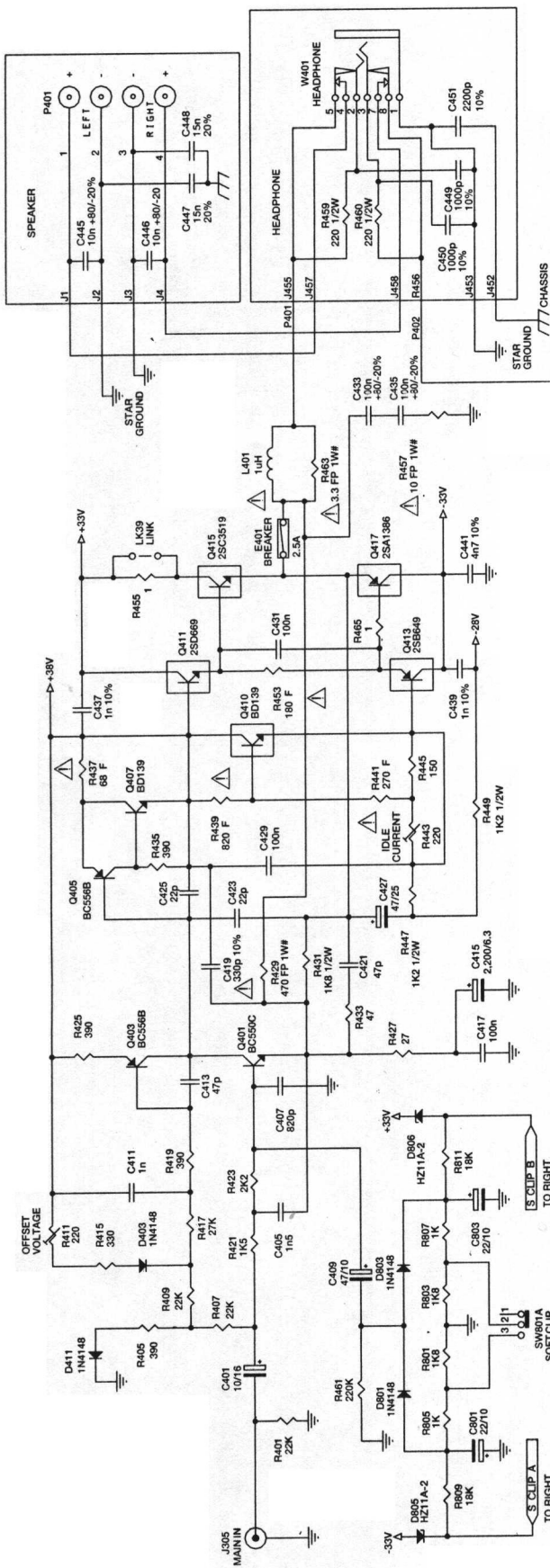
RIGHT PREAMP

NOTE: 1. RESISTORS, UNLESS OTHERWISE SPECIFIED ARE 1/4W.
 2. ALL CERAMIC CAPACITORS, UNLESS OTHERWISE SPECIFIED ARE 50V, 5%.

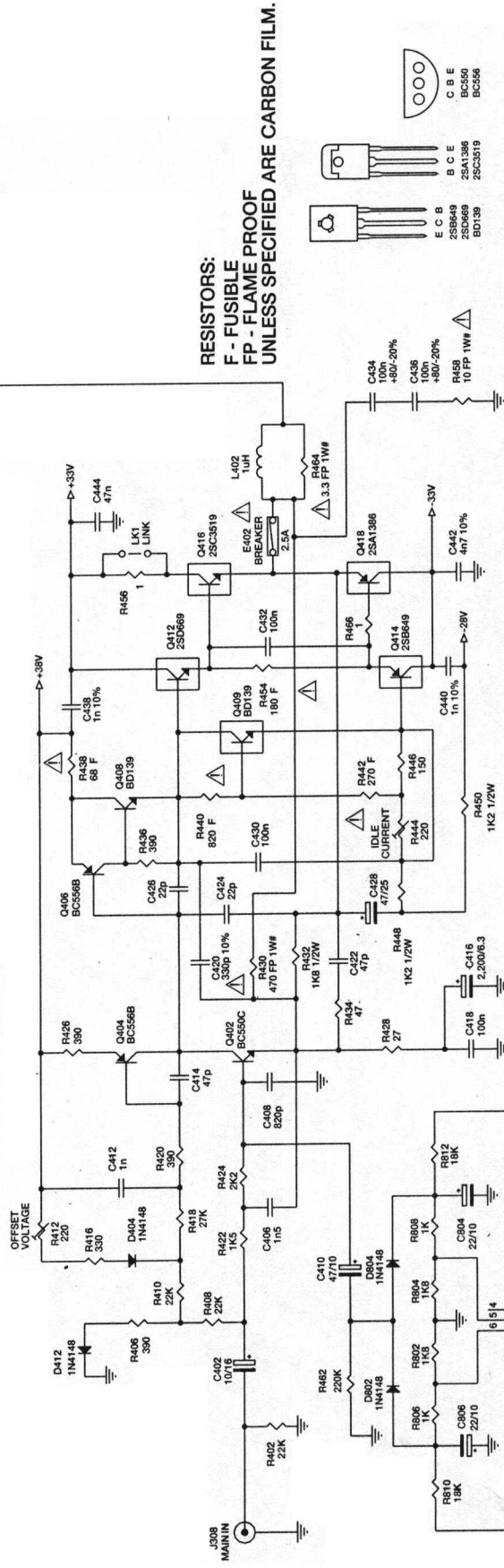
RESISTORS:
 MF - METAL FILM
 UNLESS SPECIFIED
 ARE CARBON FILM.



POWER AMPLIFIER

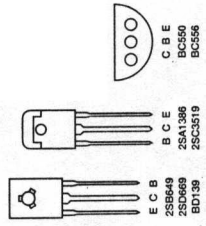


LEFT POWER AMP



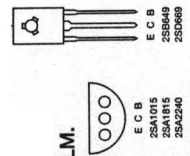
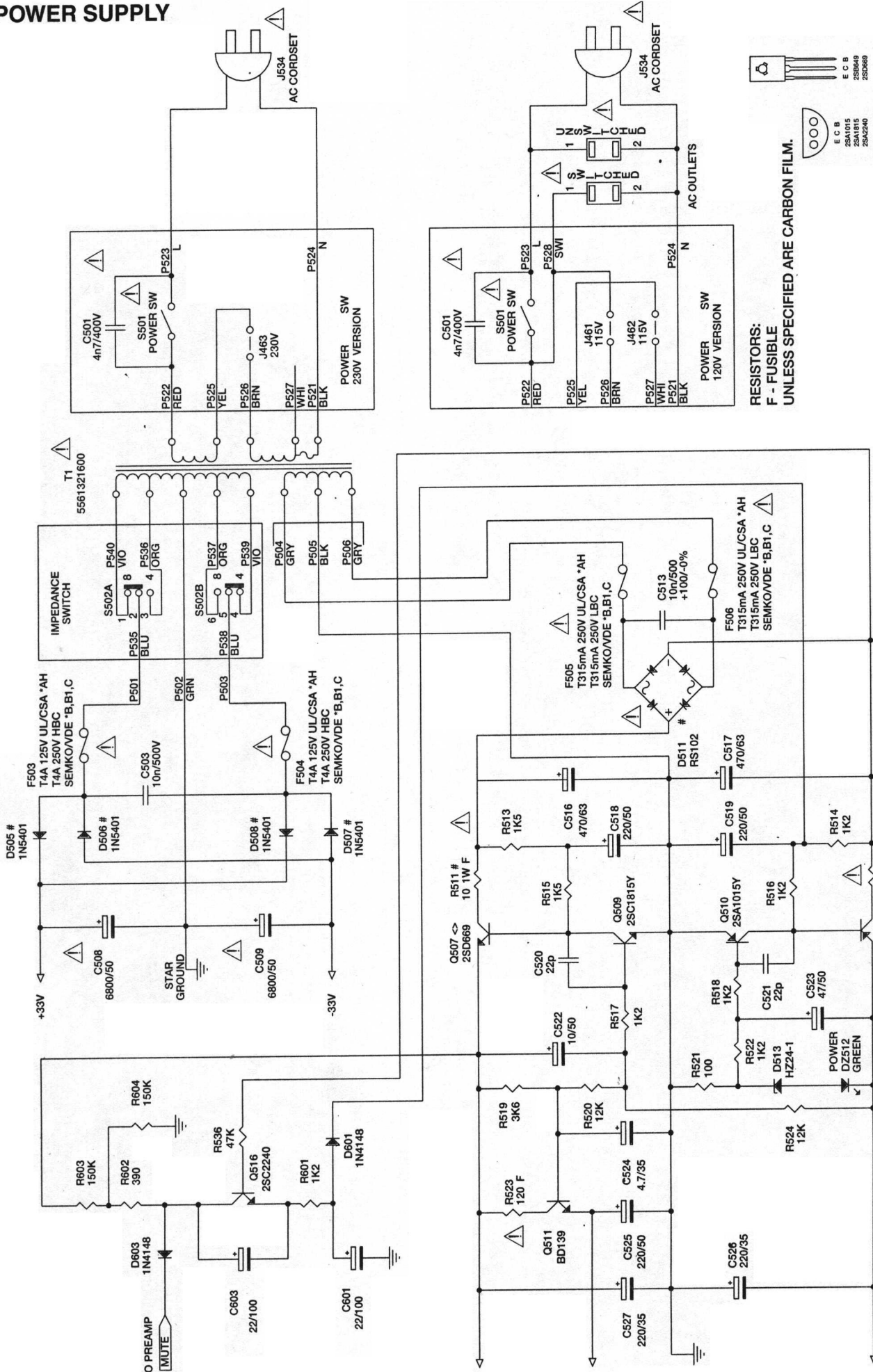
RIGHT POWER AMP

RESISTORS:
 F - FUSIBLE
 FP - FLAME PROOF
 UNLESS SPECIFIED ARE CARBON FILM.



- NOTE: 1. RESISTORS, UNLESS OTHERWISE SPECIFIED ARE 1/4W.
 2. ALL CERAMIC CAPACITORS, UNLESS OTHERWISE SPECIFIED ARE 50V, 5%.
 3. BLOCKED TRANSISTORS ARE MOUNTED ON MAIN HEATSINK.
 4. COMPONENTS MARKED WITH "Δ" ARE SAFETY CRITICAL PART
 5. COMPONENTS MARKED WITH "# " ARE ELEVATED FROM PCB.

POWER SUPPLY



RESISTORS:
F - FUSIBLE
UNLESS SPECIFIED ARE CARBON FILM.

- NOTE: 1. RESISTORS, UNLESS OTHERWISE SPECIFIED ARE 1/4W.
2. ALL CERAMIC CAPACITORS, UNLESS OTHERWISE SPECIFIED ARE 50V, 5%.
3. COMPONENTS MARKED WITH "△" ARE SAFETY CRITICAL PARTS.
4. COMPONENTS MARKED WITH " # " ARE ELEVATED FROM PCB.
5. COMPONENTS MARKED WITH " <-> " ARE MOUNTED ON SMALL HEATSINK.

POWER SUPPLY