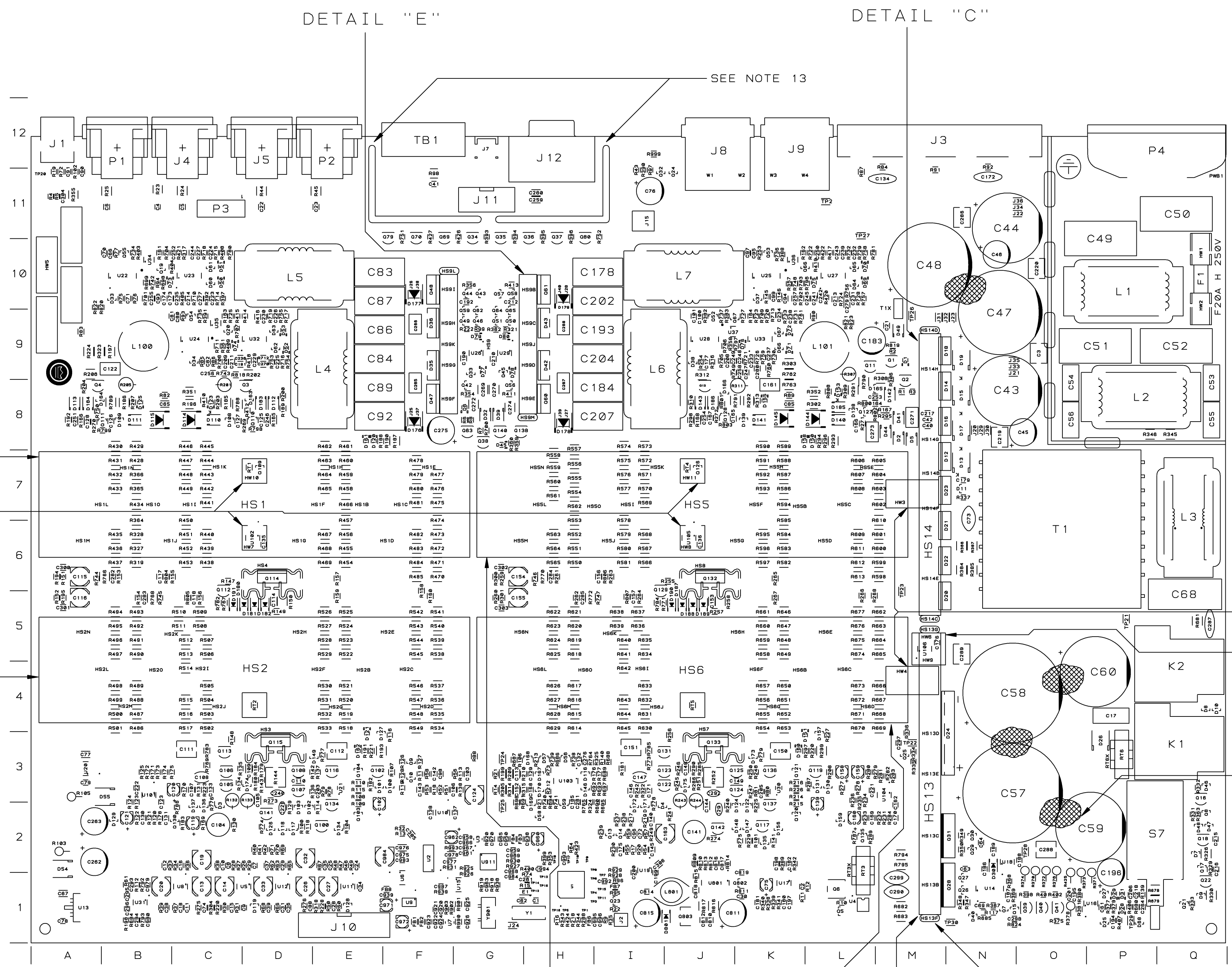


REVISION HISTORY					
E. C. N.	ZONE	REV	DESCRIPTION	DATE	APPROVED
					DWN CM PE
		A	SEE 139405-7_A.XLS FOR DATA AND REVISION HISTORY	11-14-06	KLW DSV SC
33191		B	SEE 139405-7_B.XLS FOR DATA AND REVISION HISTORY	11-20-06	JFL KZ TJS
33486		C	SEE 139405-7_C.XLS FOR DATA AND REVISION HISTORY	01-23-07	KLW KZ SC

COMPONENT MAP
TOP SIDE



SEE NOTE 14

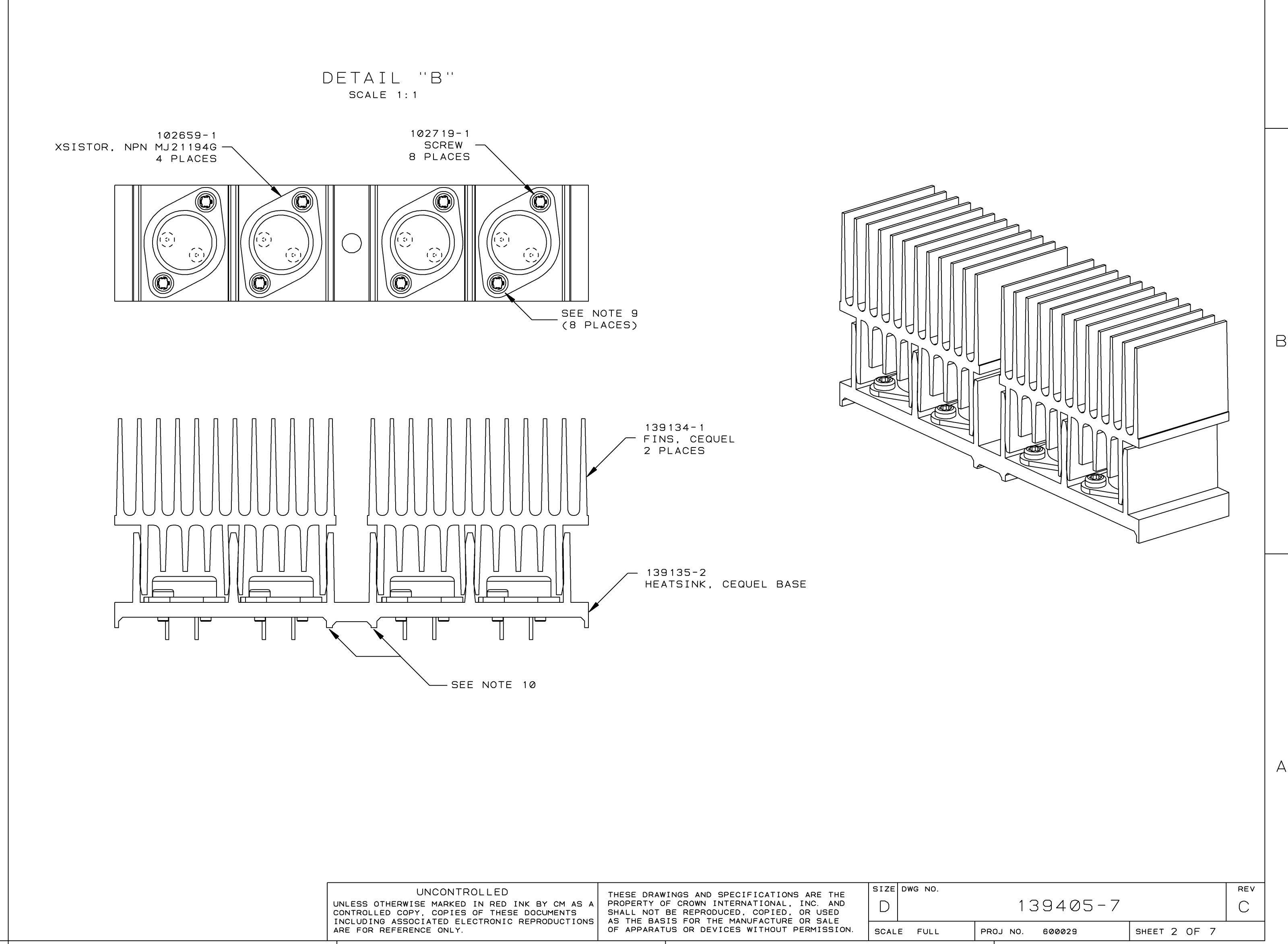
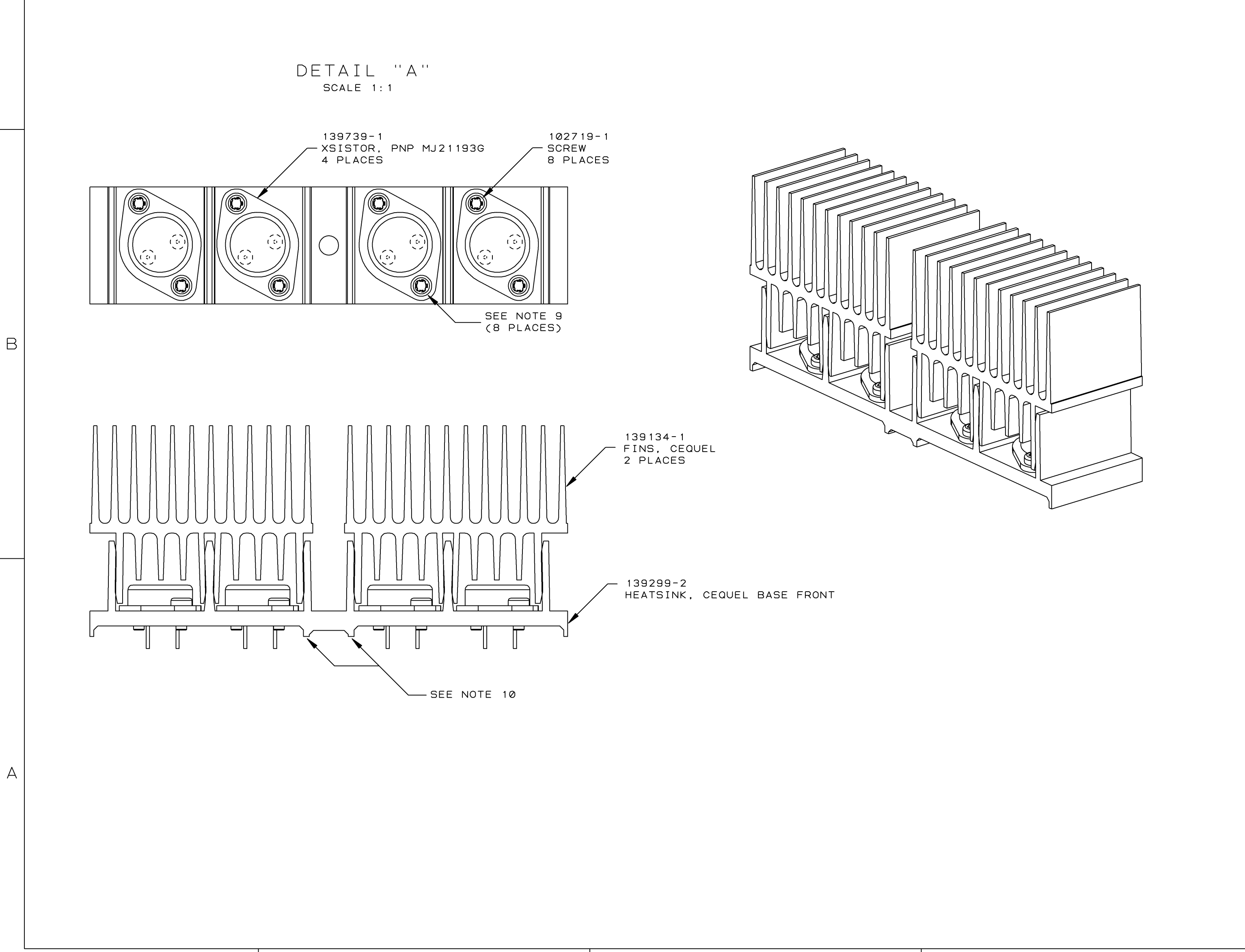
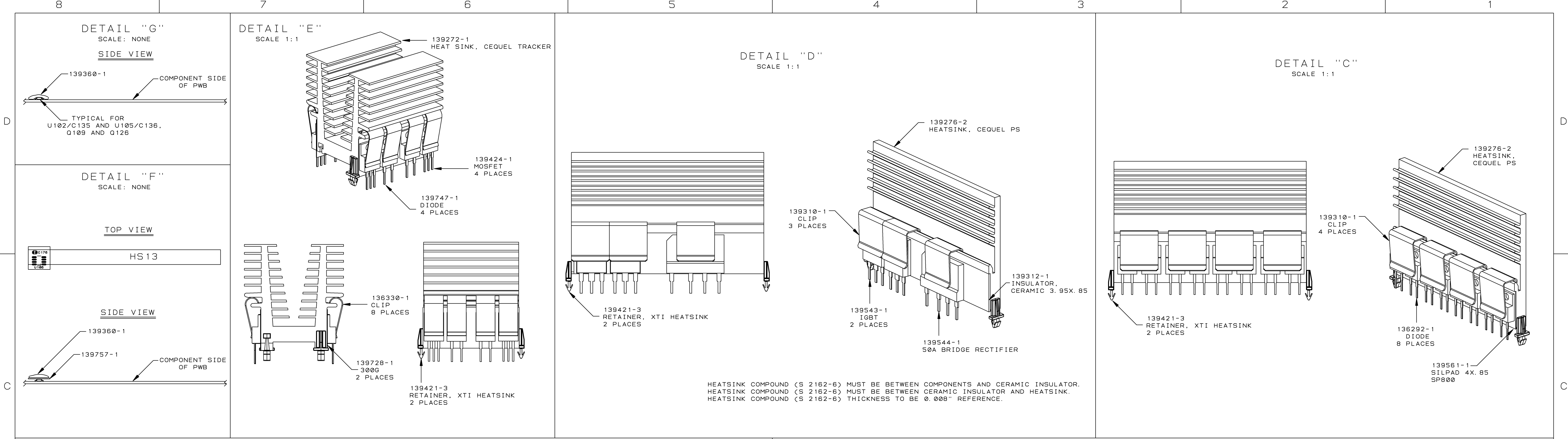
DETAIL "F"

HOT MELT GLUE
4 PLACES
SHOWN FOR REFERENCE ONLY

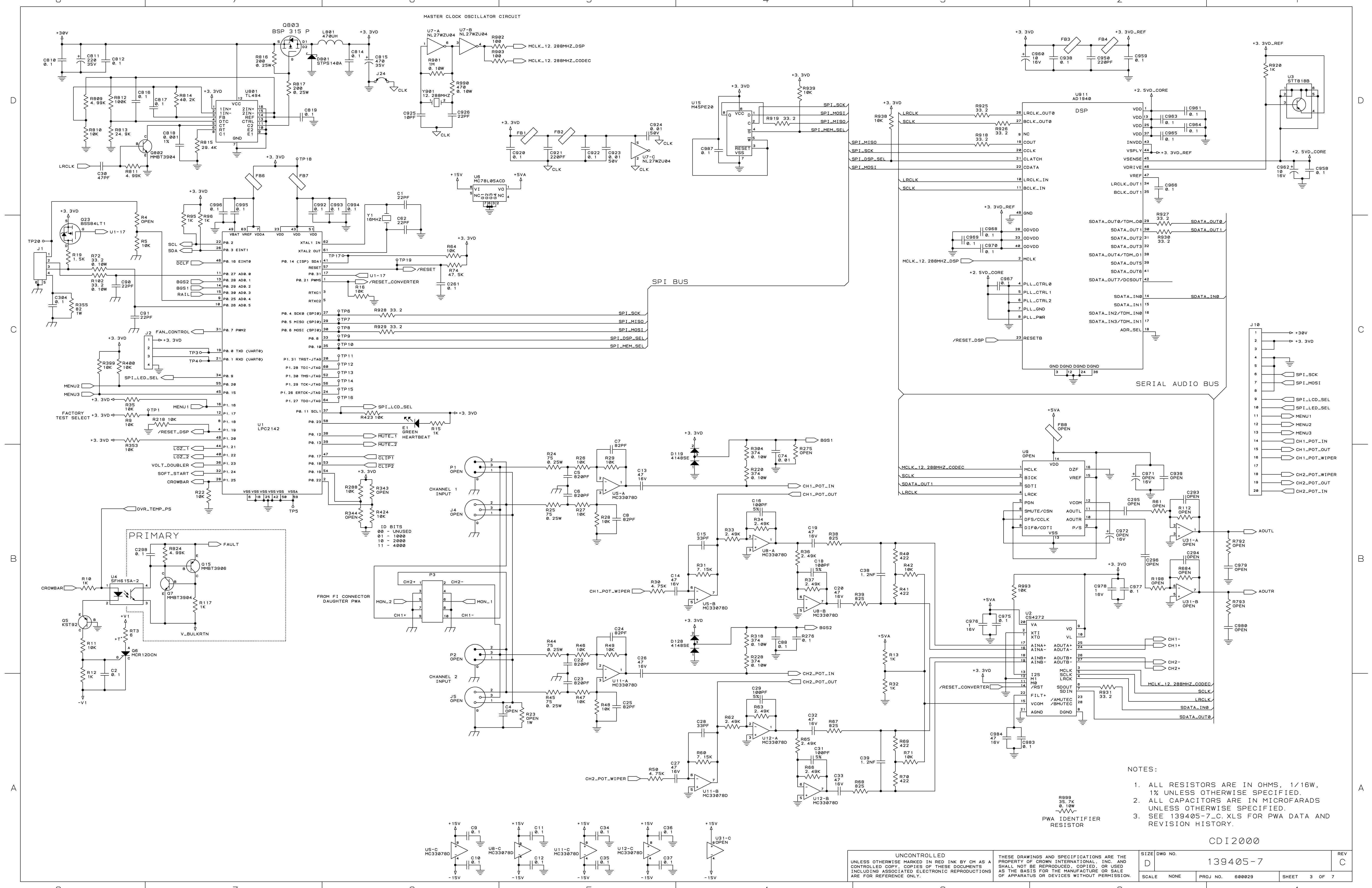
SEE NOTES 7 & 8
(TYP. 6 PLACES)

DWN	KLW	11-14-06	CROWN H A Harman International Company 1718 WEST MISHAWAKA RD. PHONE 574-284-8000 ELKHART, IN, 46517 WWW.CROWNALD.CO
CM	DSV	11-15-06	
PE	SC	11-14-06	
DISTRIBUTION			TITLE
K			PWA, CDI2000
FILENAME			
139405-7_C.PCB			
TOLERANCE UNLESS OTHERWISE SPECIFIED			
.00 = ±.02"			
.000 = ±.010"			
DRILLS = ±.003"			
DO NOT SCALE DRAWING			
SIZE	DWG NO.	REV	
D	139405-7	C	
SCALE	FULL	PROJ NO.	600029
		SHEET	1 OF 7

UNCONTROLLED
UNLESS OTHERWISE MARKED IN RED INK BY CM AS A
CONTROLLED COPY. COPIES OF THESE DOCUMENTS
INCLUDING ASSOCIATED ELECTRONIC REPRODUCTIONS
ARE FOR REFERENCE ONLY.
THESE DRAWINGS AND SPECIFICATIONS ARE THE
PROPERTY OF CROWN INTERNATIONAL, INC. AND
SHALL NOT BE REPRODUCED, COPIED, OR USED
AS THE BASIS FOR THE MANUFACTURE OR SALE
OF APPARATUS OR DEVICES WITHOUT PERMISSION.



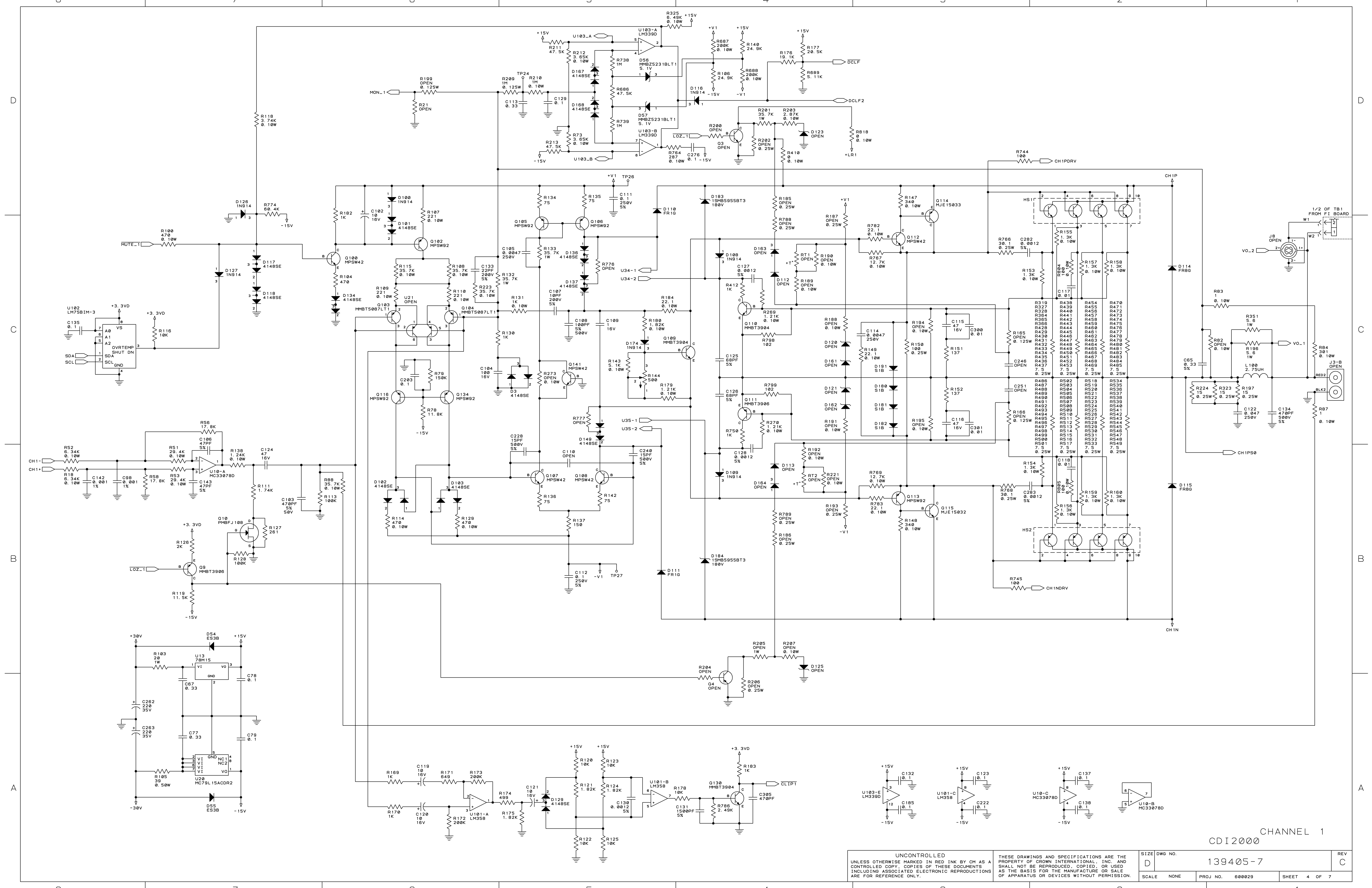
UNCONTROLLED UNLESS OTHERWISE MARKED IN RED INK BY CM AS A CONTROLLED COPY, COPIES OF THESE DOCUMENTS INCLUDING ASSOCIATED ELECTRONIC REPRODUCTIONS ARE FOR REFERENCE ONLY.	THESE DRAWINGS AND SPECIFICATIONS ARE THE PROPERTY OF CROWN INTERNATIONAL, INC. AND SHALL NOT BE REPRODUCED, COPIED, OR USED AS THE BASIS FOR THE MANUFACTURE OR SALE OF APPARATUS OR DEVICES WITHOUT PERMISSION.		SIZE D	DWG NO. 139405-7	REV C
	SCALE FULL	PROJ NO. 600029	SHEET 2 OF 7		



- NOTES:
1. ALL RESISTORS ARE IN OHMS, 1/16W, 1% UNLESS OTHERWISE SPECIFIED.
 2. ALL CAPACITORS ARE IN MICROFARADS UNLESS OTHERWISE SPECIFIED.
 3. SEE 139405-7_C.XLS FOR PWA DATA AND REVISION HISTORY.

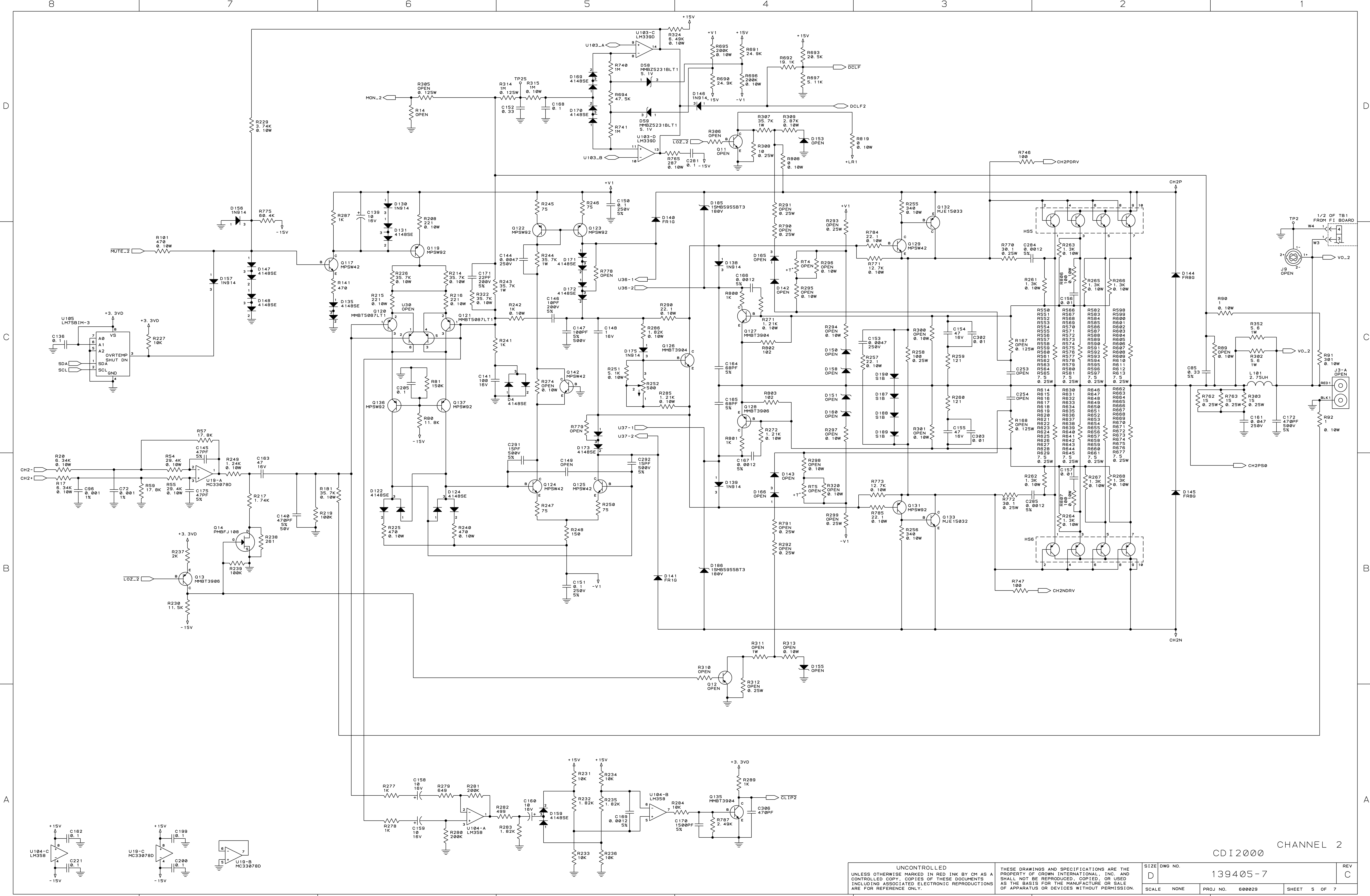
CD I2000

UNCONTROLLED UNLESS OTHERWISE MARKED IN RED INK BY CM AS A CONTROLLED COPY. COPIES OF THESE DOCUMENTS INCLUDING ASSOCIATED ELECTRONIC REPRODUCTIONS ARE FOR REFERENCE ONLY.		THESE DRAWINGS AND SPECIFICATIONS ARE THE PROPERTY OF CROWN INTERNATIONAL, INC. AND SHALL NOT BE REPRODUCED, COPIED, OR USED AS THE BASIS FOR THE MANUFACTURE OR SALE OF APPARATUS OR DEVICES WITHOUT PERMISSION.		SIZE D	DWG NO. 139405-7	REV C
SCALE NONE		PROJ NO. 600029		SHEET 3 OF 7		



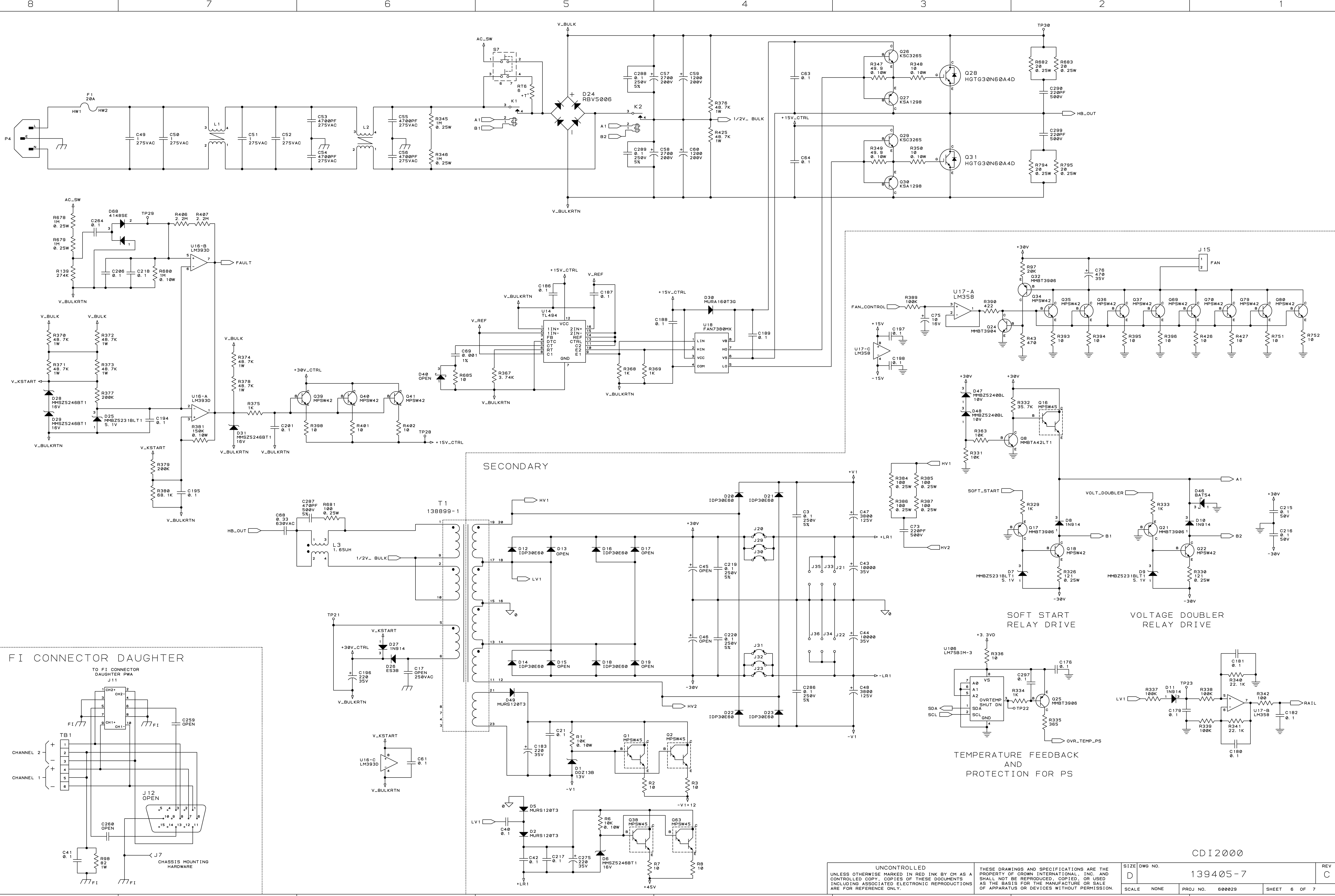
CHANNEL 1
CDI 2000

UNCONTROLLED UNLESS OTHERWISE MARKED IN RED INK BY CM AS A CONTROLLED COPY. COPIES OF THESE DOCUMENTS INCLUDING ASSOCIATED ELECTRONIC REPRODUCTIONS ARE FOR REFERENCE ONLY.		THESE DRAWINGS AND SPECIFICATIONS ARE THE PROPERTY OF CROWN INTERNATIONAL, INC. AND SHALL NOT BE REPRODUCED, COPIED, OR USED AS THE BASIS FOR THE MANUFACTURE OR SALE OF APPARATUS OR DEVICES WITHOUT PERMISSION.		SIZE D	DWG NO. 139405-7	REV C
SCALE NONE	PROJ NO. 600029	SHEET 4 OF 7				

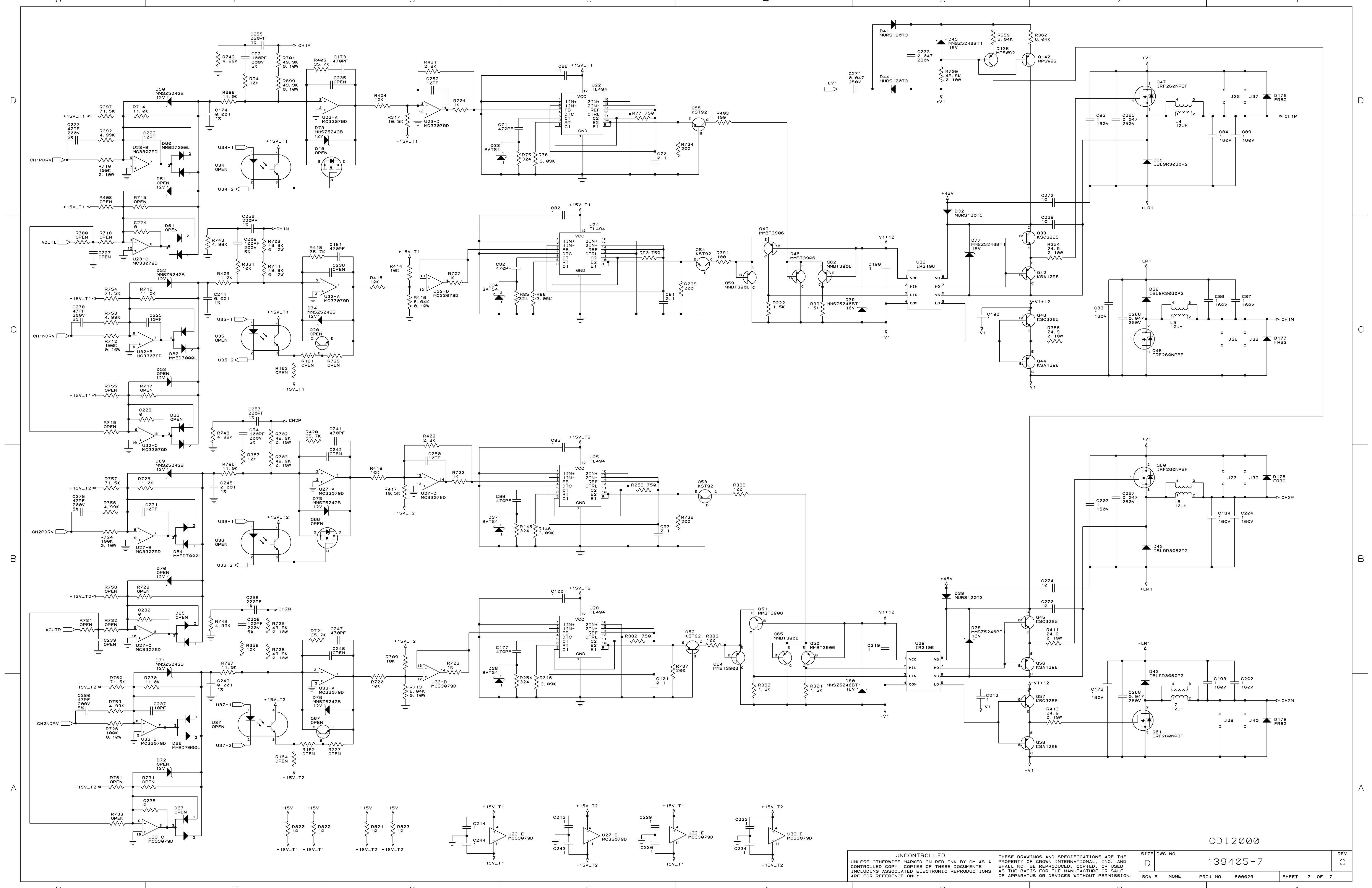


CDI2000 CHANNEL 2

UNCONTROLLED UNLESS OTHERWISE MARKED IN RED INK BY CM AS A CONTROLLED COPY. COPIES OF THESE DOCUMENTS INCLUDING ASSOCIATED ELECTRONIC REPRODUCTIONS ARE FOR REFERENCE ONLY.	THESE DRAWINGS AND SPECIFICATIONS ARE THE PROPERTY OF CROWN INTERNATIONAL, INC. AND SHALL NOT BE REPRODUCED, COPIED, OR USED AS THE BASIS FOR THE MANUFACTURE OR SALE OF APPARATUS OR DEVICES WITHOUT PERMISSION.	SIZE DWG. NO. D 139405-7	REV C
SCALE NONE	PROJ. NO. 600029	SHEET 5 OF 7	



UNCONTROLLED IF NOT OTHERWISE MARKED IN RED INK BY CM AS A CONTROLLED COPY, COPIES OF THESE DOCUMENTS INCLUDING ASSOCIATED ELECTRONIC REPRODUCTIONS ARE FOR REFERENCE ONLY.		THESE DRAWINGS AND SPECIFICATIONS ARE THE PROPERTY OF CROWN INTERNATIONAL, INC. AND SHALL NOT BE REPRODUCED, COPIED, OR USED AS THE BASIS FOR THE MANUFACTURE OR SALE OF APPARATUS OR DEVICES WITHOUT PERMISSION.		SIZE D	DWG NO. 139405-7	REV C
SCALE	NONE	PROJ. NO.	600029	SHEET	6 OF 7	



CDI2000

UNCONTROLLED UNLESS OTHERWISE MARKED IN RED INK BY CM AS A CONTROLLED COPY. COPIES OF THESE DOCUMENTS INCLUDING ASSOCIATED ELECTRONIC REPRODUCTIONS ARE FOR REFERENCE ONLY.		THESE DRAWINGS AND SPECIFICATIONS ARE THE PROPERTY OF CROWN INTERNATIONAL, INC. AND SHALL NOT BE REPRODUCED, COPIED, OR USED AS THE BASIS FOR THE MANUFACTURE OR SALE OF APPARATUS OR DEVICES WITHOUT PERMISSION.		SIZE D	DWG NO. 139405-7	REV C
SCALE	NONE	PROJ NO.	600029	SHEET	7 OF 7	