

E.C.N.	ZONE	REV	DESCRIPTION	DATE	BY	CHK	APP
			BYVDC IN 8/4 OHM MODE, 131VDC IN TO VOLT MODE	10-28-91	LCD		

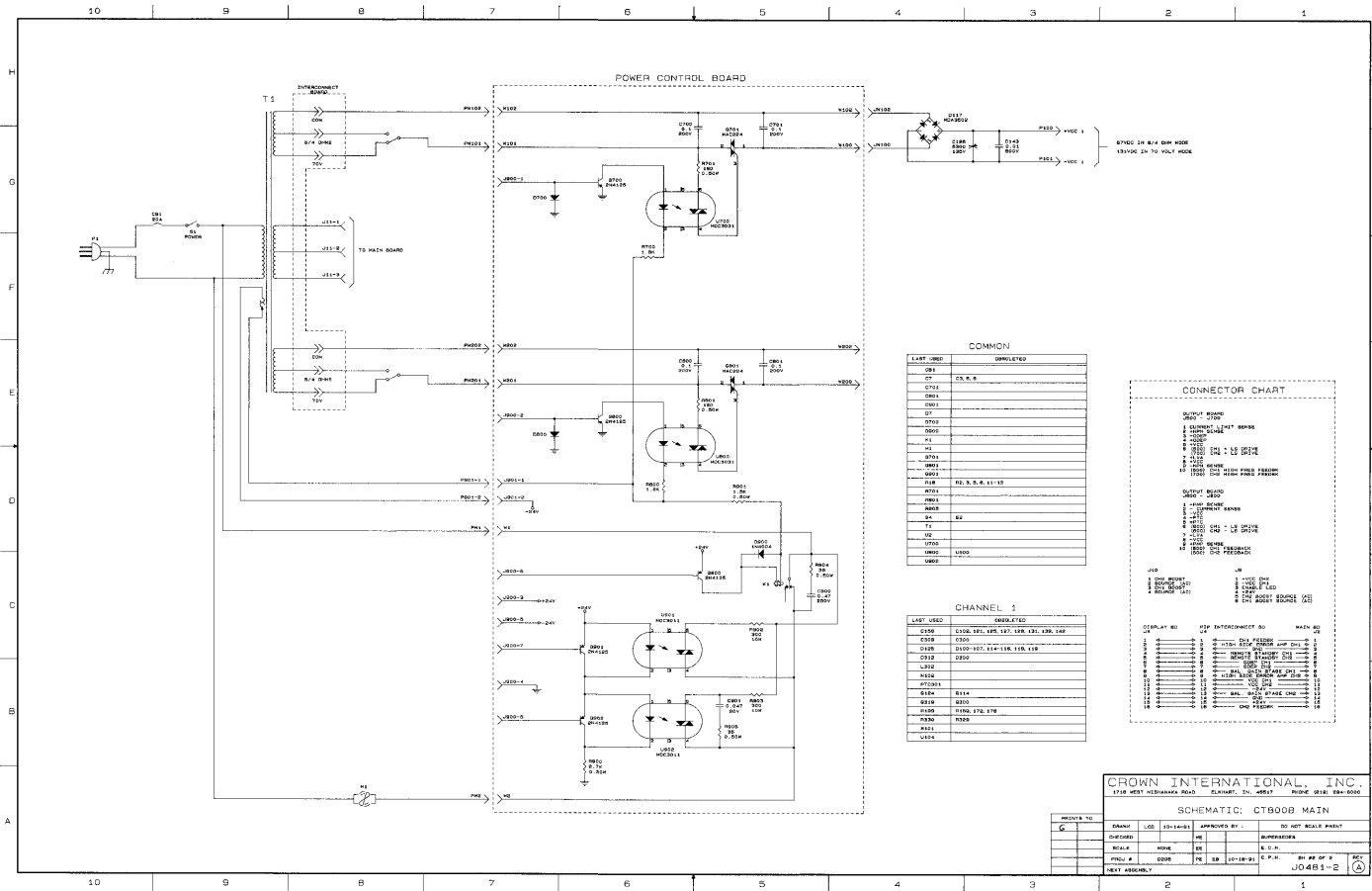
INACTIVE
For Reference Use Only

- NOTES:
1. ALL RESISTORS ARE IN OHMS, 1/4W, 5% UNLESS OTHERWISE SPECIFIED.
 2. ALL CAPACITORS ARE IN MICROFARADS UNLESS OTHERWISE SPECIFIED.
 3. CHANNEL 1 SHOWN FOR CHANNEL 2 AND 100 TO REFERENCE DESIGNATORS. (EXAMPLE: CHANNEL 1 R101 WOULD BE CHANNEL 2 R101.) CAPACITORS AND IC PIN NUMBERS FOR CHANNEL 2 ARE SHOWN IN PARENTHESES WHEN THEY DIFFER FROM CHANNEL 1.
 4. ALL DIMS ARE IN INCHES UNLESS OTHERWISE SPECIFIED.
 5. OHM 1000 AND 10000 THE STRIPED WIRE GOES TO PIN 10 OF THE BOARD AND THE PIN NUMBER WELDED IN THE SAME PLACE, ARE REVERSED FROM THE BOARD AND THE SCHEMATIC.
 6. STANDARD UNIT HAS R10 OPEN. INSTALL JUMPER IN R10 TO DISABLE CHANNEL 2 SIGNAL INDICATOR LIGHT IN PARALLEL MONO MODE.
 7. POWER SUPPLY VOLTAGES SHOWN UNDER NO LOAD CONDITION.
 8. CHANNEL 2 PRE-DRIVER BASES LOOP THROUGH STEREO-MONO SWITCH S4, SECTIONS E AND F.
 9. THIS SCHEMATIC APPLIES TO MAIN BOARD 07800-5.

CROWN INTERNATIONAL, INC.
1718 WEST HISHAMAKA ROAD ELKHART, IN. 46517 PHONE (317) 284-8000

SCHEMATIC; CT-BOOB MAIN

PRINTS TO	DATE	APPROVED BY	DO NOT SCALE PRINT
CHECKED	10-14-91	ME	SUPERSEDES
SCALE	NONE	EE	E.C.N.
PROJ #	0005	PE	EM
NEXT ASSEMBLY	10-18-91	C.P.N.	SHEET 1 OF 2
			JO4B1-2



COMMON

PART USED	QUANTITY
C1	1
C2	1
C3	1
C4	1
C5	1
C6	1
C7	1
C8	1
C9	1
C10	1
C11	1
C12	1
C13	1
C14	1
C15	1
C16	1
C17	1
C18	1
C19	1
C20	1
C21	1
C22	1
C23	1
C24	1
C25	1
C26	1
C27	1
C28	1
C29	1
C30	1
C31	1
C32	1
C33	1
C34	1
C35	1
C36	1
C37	1
C38	1
C39	1
C40	1
C41	1
C42	1
C43	1
C44	1
C45	1
C46	1
C47	1
C48	1
C49	1
C50	1
C51	1
C52	1
C53	1
C54	1
C55	1
C56	1
C57	1
C58	1
C59	1
C60	1
C61	1
C62	1
C63	1
C64	1
C65	1
C66	1
C67	1
C68	1
C69	1
C70	1
C71	1
C72	1
C73	1
C74	1
C75	1
C76	1
C77	1
C78	1
C79	1
C80	1
C81	1
C82	1
C83	1
C84	1
C85	1
C86	1
C87	1
C88	1
C89	1
C90	1
C91	1
C92	1
C93	1
C94	1
C95	1
C96	1
C97	1
C98	1
C99	1
C100	1

CONNECTOR CHART

CONNECTOR	WIRE	TO
CON1	1	CON2
CON1	2	CON2
CON1	3	CON2
CON1	4	CON2
CON1	5	CON2
CON1	6	CON2
CON1	7	CON2
CON1	8	CON2
CON1	9	CON2
CON1	10	CON2
CON1	11	CON2
CON1	12	CON2
CON1	13	CON2
CON1	14	CON2
CON1	15	CON2
CON1	16	CON2
CON1	17	CON2
CON1	18	CON2
CON1	19	CON2
CON1	20	CON2
CON1	21	CON2
CON1	22	CON2
CON1	23	CON2
CON1	24	CON2
CON1	25	CON2
CON1	26	CON2
CON1	27	CON2
CON1	28	CON2
CON1	29	CON2
CON1	30	CON2
CON1	31	CON2
CON1	32	CON2
CON1	33	CON2
CON1	34	CON2
CON1	35	CON2
CON1	36	CON2
CON1	37	CON2
CON1	38	CON2
CON1	39	CON2
CON1	40	CON2
CON1	41	CON2
CON1	42	CON2
CON1	43	CON2
CON1	44	CON2
CON1	45	CON2
CON1	46	CON2
CON1	47	CON2
CON1	48	CON2
CON1	49	CON2
CON1	50	CON2
CON1	51	CON2
CON1	52	CON2
CON1	53	CON2
CON1	54	CON2
CON1	55	CON2
CON1	56	CON2
CON1	57	CON2
CON1	58	CON2
CON1	59	CON2
CON1	60	CON2
CON1	61	CON2
CON1	62	CON2
CON1	63	CON2
CON1	64	CON2
CON1	65	CON2
CON1	66	CON2
CON1	67	CON2
CON1	68	CON2
CON1	69	CON2
CON1	70	CON2
CON1	71	CON2
CON1	72	CON2
CON1	73	CON2
CON1	74	CON2
CON1	75	CON2
CON1	76	CON2
CON1	77	CON2
CON1	78	CON2
CON1	79	CON2
CON1	80	CON2
CON1	81	CON2
CON1	82	CON2
CON1	83	CON2
CON1	84	CON2
CON1	85	CON2
CON1	86	CON2
CON1	87	CON2
CON1	88	CON2
CON1	89	CON2
CON1	90	CON2
CON1	91	CON2
CON1	92	CON2
CON1	93	CON2
CON1	94	CON2
CON1	95	CON2
CON1	96	CON2
CON1	97	CON2
CON1	98	CON2
CON1	99	CON2
CON1	100	CON2

CHANNEL 1

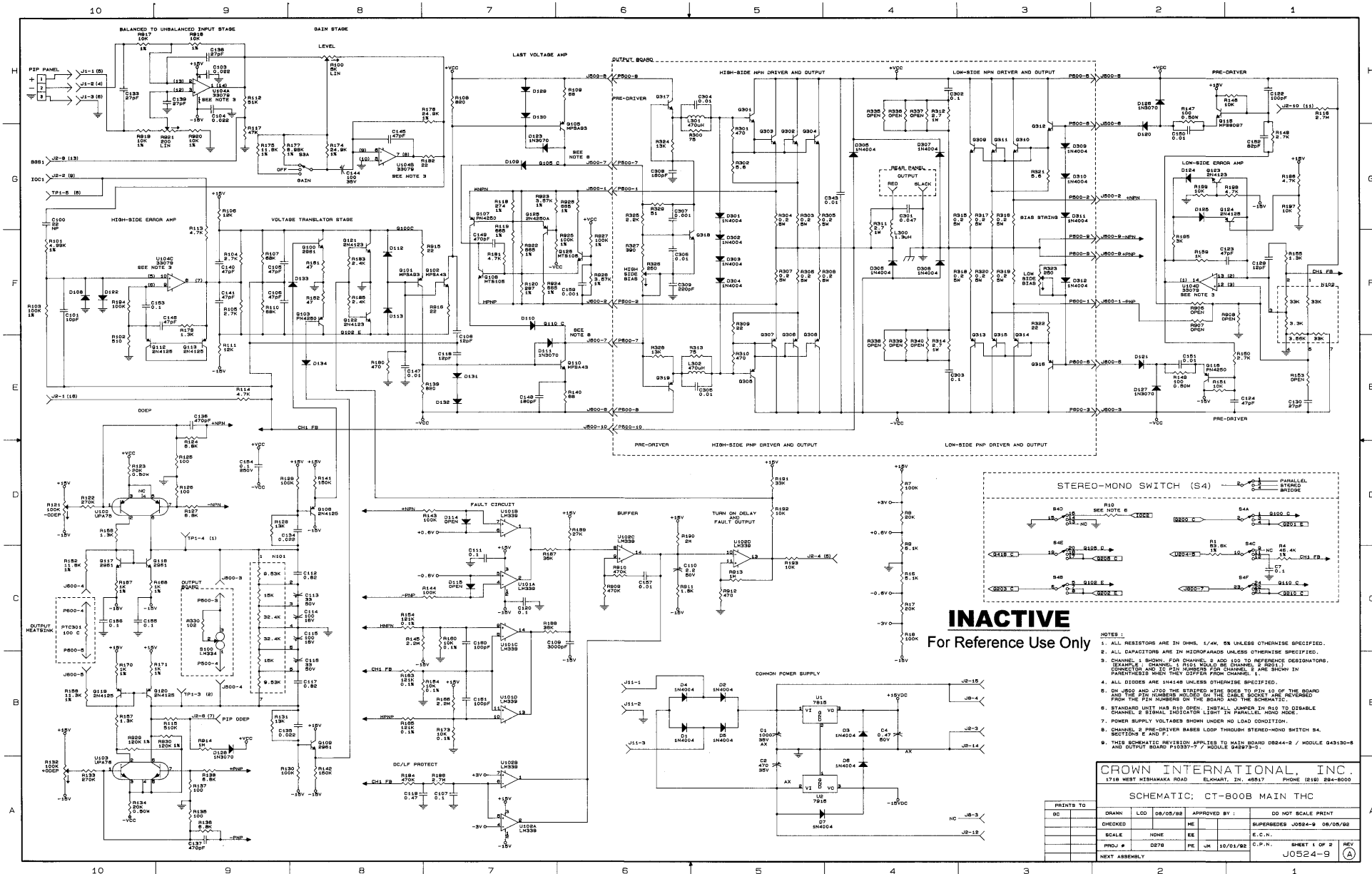
PART USED	QUANTITY
C101	1
C102	1
C103	1
C104	1
C105	1
C106	1
C107	1
C108	1
C109	1
C110	1
C111	1
C112	1
C113	1
C114	1
C115	1
C116	1
C117	1
C118	1
C119	1
C120	1
C121	1
C122	1
C123	1
C124	1
C125	1
C126	1
C127	1
C128	1
C129	1
C130	1
C131	1
C132	1
C133	1
C134	1
C135	1
C136	1
C137	1
C138	1
C139	1
C140	1
C141	1
C142	1
C143	1
C144	1
C145	1
C146	1
C147	1
C148	1
C149	1
C150	1
C151	1
C152	1
C153	1
C154	1
C155	1
C156	1
C157	1
C158	1
C159	1
C160	1
C161	1
C162	1
C163	1
C164	1
C165	1
C166	1
C167	1
C168	1
C169	1
C170	1
C171	1
C172	1
C173	1
C174	1
C175	1
C176	1
C177	1
C178	1
C179	1
C180	1
C181	1
C182	1
C183	1
C184	1
C185	1
C186	1
C187	1
C188	1
C189	1
C190	1
C191	1
C192	1
C193	1
C194	1
C195	1
C196	1
C197	1
C198	1
C199	1
C200	1

CROWN INTERNATIONAL, INC.
 1718 WEST COLUMBIAN ROAD COLUMBI, IN, 46017 PHONE 317-838-0202

SCHEMATIC: CT800B MAIN

PROJECT NO	DRAWN	DATE	BY	APPROVED BY	DO NOT SCALE DRAWING
6
SCALE	NONE	BY
PROJECT	...	NO. IN
NEXT REVISION

J04B1-2



INACTIVE
For Reference Use Only

- NOTES:**
1. ALL RESISTORS ARE IN OHMS, 1/4W, 5% UNLESS OTHERWISE SPECIFIED.
 2. ALL CAPACITORS ARE IN MICROFARADS UNLESS OTHERWISE SPECIFIED.
 3. CHANNEL 1 SHOWN. FOR CHANNEL 2 ADD 100 TO REFERENCE DESIGNATORS. (EXCEPT CHANNEL 1 15V WOULD BE CHANNEL 2 50V1).
 4. ALL DIODES ARE 1N4148 UNLESS OTHERWISE SPECIFIED.
 5. ON J500 AND J502 THE STRIPPER WIRE BOSS TO PIN 10 OF THE BOARD FROM THE PIN NUMBER PORTING WOULD BE CHANNEL 2 BOSS. (BOSS ARE REVERSED).
 6. STANDARD UNIT HAS R10 OPEN. INSTALL JUMPER IN R10 TO DISABLE CHANNEL 2 SIGNAL INDICATOR LIGHT IN PARALLEL MONO MODE.
 7. POWER SUPPLY VOLTAGES SHOWN UNDER NO LOAD CONDITION.
 8. CHANNEL 2 PRE-DRIVER BASES LOOP THROUGH STEREO-MONO SWITCH S4. SECTION 2 AND 7.
 9. THIS SCHEMATIC REVISION APPLIES TO MAIN BOARD DB44-2 / MODULE 049130-6 AND OUTPUT BOARD P1033-7 / MODULE 048973-0.

CROWN INTERNATIONAL, INC.
1710 WEST BIRMHAMKA ROAD ELKHART, IN. 45917 PHONE (219) 294-8000

SCHEMATIC: CT-800B MAIN THC

PRINTS TO	DO NOT SCALE PRINT
DC	DO NOT SCALE PRINT
DRAWN: LCO 08/05/98	APPROVED BY: SUPERSEDES J0924-9 08/05/98
CHECKED: NONE SE	E.C.N.
SCALE: NONE SE	
PROJ # 0278	PE JK 10/01/92 C.P.N. SHEET 1 OF 2 REV
NEXT ASSEMBLY	J0524-9 (A)

10

9

8

7

6

5

4

3

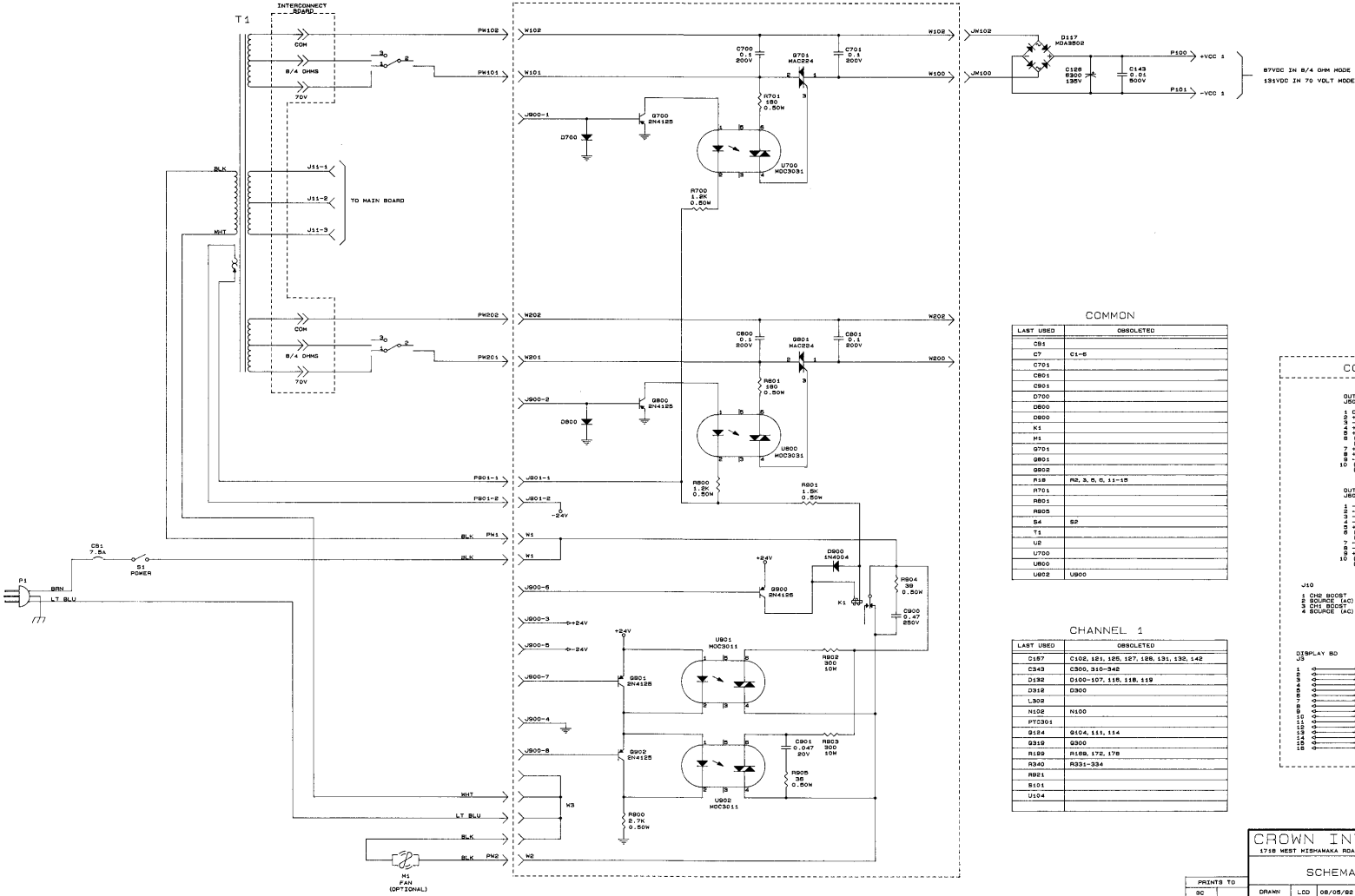
2

1

E.C.N.	ZONE	REV	DESCRIPTION	DATE	BY	APPROVED
FR 08			ADD R802-R808 AND Q102, Q104			
FT 07			ADD R1028-R1030 AND Q202, Q204			
EA 04			R312, 314, 412, 414 WERE IS			
EA 04			C202, 302, 402, 403 WERE 0.22			
BT 07			ADD C180, 181, 280, 281			
EB 04			D132, 134, 232, 234			
FR 08			R802, 804, 1028, 1030	11/20/92	LCD	
FR 08			ADD C192, 200			

POWER CONTROL BOARD

INTERCONNECT BOARD



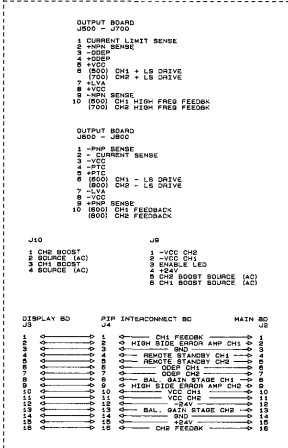
COMMON

LAST USED	OBSOLETE
CB1	
C7	C1-B
C701	
C801	
C801	
D700	
D800	
D800	
K1	
M1	
Q701	U700 CH1 - LS DRIVE
Q801	U800 CH1 - LS DRIVE
Q901	U900 CH1 - LS DRIVE
Q902	U900 CH2 - HIGH FREQ FEEDBK
R18	RD, 3, R, D, 11-12
R701	
R801	
R802	
S4	SP
T1	
U2	
U700	
U800	
U902	U900

CHANNEL 1

LAST USED	OBSOLETE
D187	D102, 101, 105, 107, 108, 109, 132, 142
D143	D300, 310-340
D312	D100-107, 118, 119, 119
D312	D300
L302	
N102	N100
PTC301	
Q124	Q104, 111, 114
Q312	Q300
R102	R102, 172, 178
R340	R331-334
R821	
R101	
U104	

CONNECTOR CHART



CROWN INTERNATIONAL, INC.
1718 WEST WISCONSIN ROAD ELKHART, IN. 46517 PHONE (219) 294-8000

SCHEMATIC: CT800B MAIN THC

PRINTS TO	SC	DRAWN	LCD	08/05/92	APPROVED BY:	DO NOT SCALE PRINT
CHECKED	ME	SCALE	NONE	EE	SUPERSEDES J0524-B	08/05/92
PROJ #	D278	FE	JM	10/01/92	C.P.N.	SH #2 OF 2
NEXT ASSEMBLY						J0524-B

10

9

8

7

6

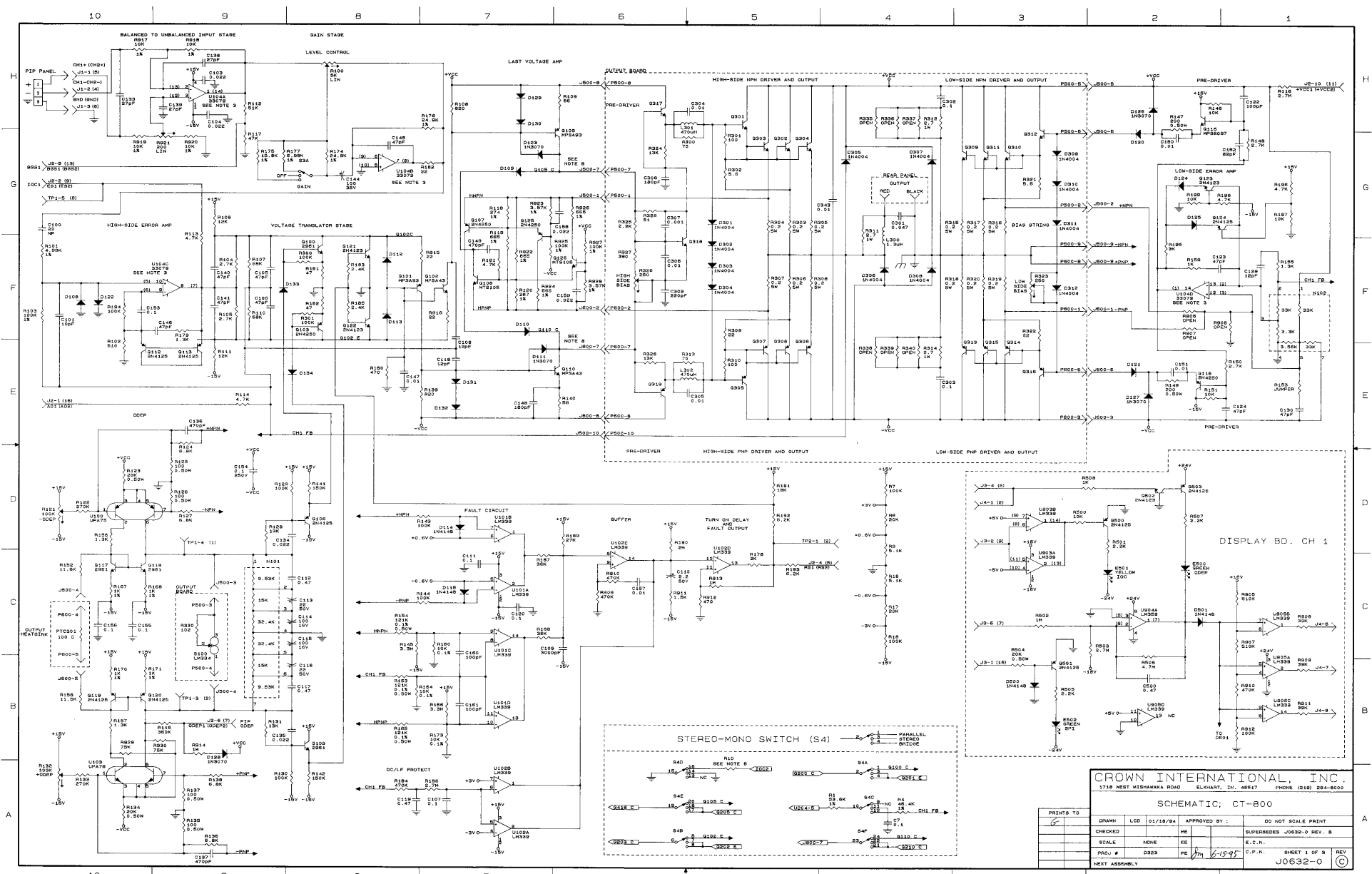
5

4

3

2

1



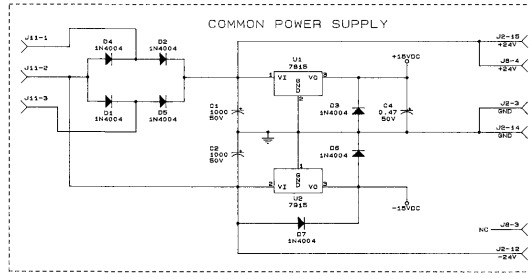
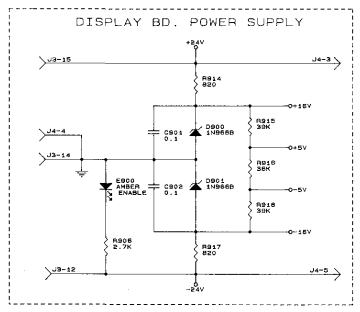
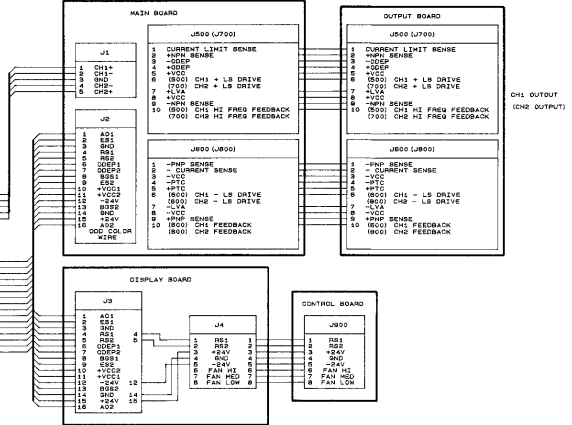
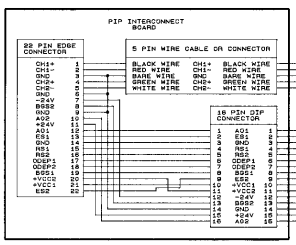
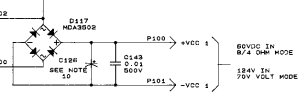
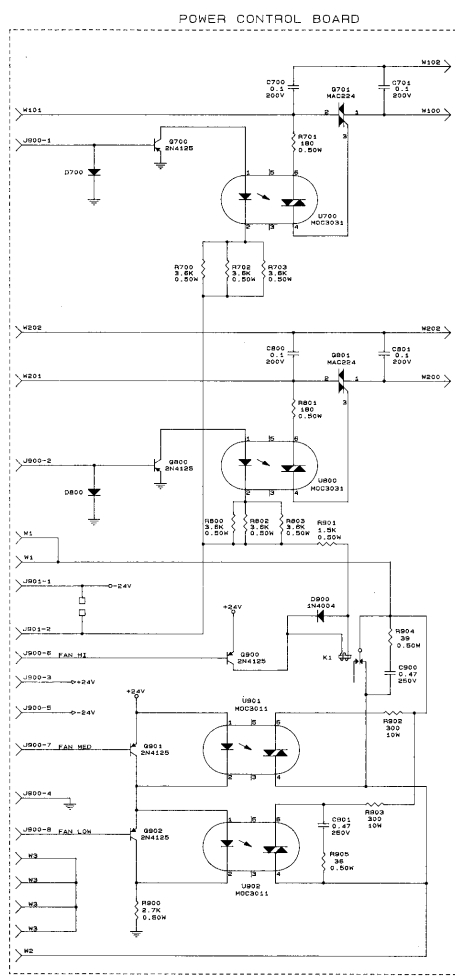
CROWN INTERNATIONAL, INC.
 5718 WEST WISHAMAKA ROAD EL CHANTY, IN. 46517 PHONE (219) 294-8000

SCHEMATIC: CT-800

PRINTS TO	DRAMA	LCD	5/18/74	APPROVED BY:	DO NOT SCALE PRINT
CHECKED	MC			EXPANDED J0632-0 REV. B	
SCALE	NONE	EE		E.C.N.	
PANEL #	D324	PC	6/15/75	C.P.N.	SHEET 1 OF 3 REV
NEXT ASSEMBLY					J0632-0

H
G
F
E
D
C
B
A

H
G
F
E
D
C
B
A



CHANNEL 1

LAST USED	ORSOLETED
C107	C100, 171, 125, 127, 128, 131, 132, 143
C249	C300, 302, 348
D130	D100-107, 118, 119, 119
L301E	D300
L302	
H100	H100
PTC301	
D124	D04, 111, 114
Q319	Q200, 300, 304, 306, 308, 311, 313, 315
H100	H100, 172, 178
R340	R303, 305, 308, 309, 310, 317, 318, 320
	R331-334
R921	
B100	
U104	

COMMON

LAST USED	ORSOLETED
C81	
C71	C1-6
C81E	
C801	
C700	
Q800	
H1	
J1	
Q701	
Q801	
Q800	
R15	R2, 3, 5, 6, 11-15
R701	
R801	
R800	
R4	R2
U700	
U800	
U802	U800

SEE PAGE THREE FOR APPROPRIATE INPUT WIRING

CROWN INTERNATIONAL, INC.
1718 WEST MISHAWAKA ROAD, ELKHART, IN. 45917 PHONE (219) 394-8000

SCHEMATIC: CT-800

PRINTED TO	DRAWN	LED	5/18/84	APPROVED BY	DO NOT SCALE PRINT
CHECKED	HE				SUPERSEDES J0632-0 REV. B
SCALE	NONE	EH			E.C.N.
PROJ #	D323	PE			C.P.N. SH #2 OF 3
NEXT ASSEMBLY					J0632-0