

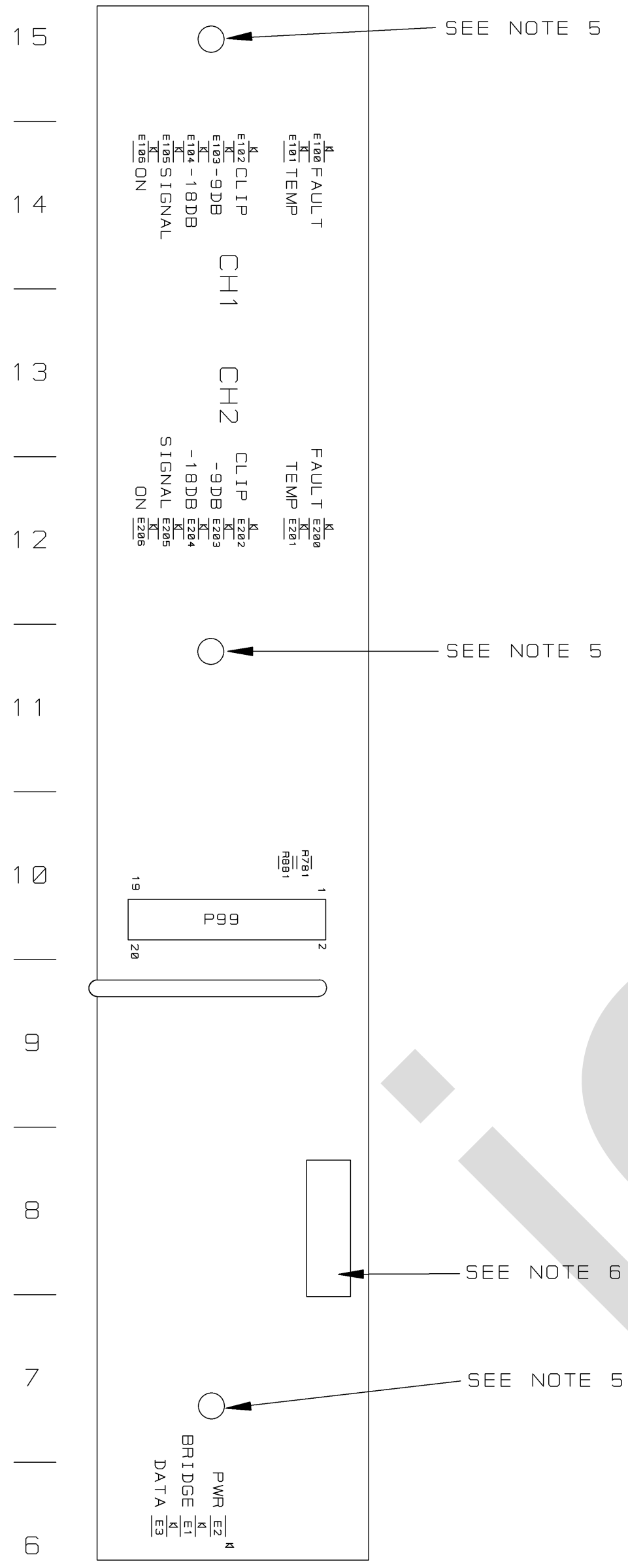
4

3

2

1

REVISION HISTORY							
E. C. N.	ZONE	REV	DESCRIPTION	DATE	APPROVED		
					DWN	CM	PE
		A	SEE 134605-2_A.XLS FOR REVISION HISTORY AND PWA DATA.	4/08/02	KBZ	MMG	JRW



COMPONENT MAP  
TOP SIDE

UNCONTROLLED  
UNLESS OTHERWISE MARKED IN RED INK BY CM AS A CONTROLLED COPY, COPIES OF THESE DOCUMENTS INCLUDING ASSOCIATED ELECTRONIC REPRODUCTIONS ARE FOR REFERENCE ONLY. VERIFY LATEST REVISION PRIOR TO USE.

THESE DRAWINGS AND SPECIFICATIONS ARE THE PROPERTY OF CROWN INTERNATIONAL, INC. AND SHALL NOT BE REPRODUCED, COPIED, OR USED AS THE BASIS FOR THE MANUFACTURE OR SALE OF APPARATUS OR DEVICES WITHOUT PERMISSION.

DO NOT SCALE DRAWING

DISTRIBUTION	DWN	KBZ	4/08/02
K	CM	MMG	5-6-02
FILENAME	PE	JRW	4/19/02
134605-2_A.TIF			
TOLERANCE UNLESS OTHERWISE SPECIFIED			
.00 = ±.02"			
.000 = ±.010"			
DRILLS = ±.003"			

**CROWN** INTERNATIONAL, INC. 1718 W. MISHAWAKA RD. ELKHART IN, 46517 PHONE (219) 294-8000 WWW.CROWNINTL.COM

TITLE: PWA, BCA DISPLAY

SIZE: C DWG NO. 134605-2 REV A

SCALE: NONE PROJ NO. MD433D0 SHEET 1 OF 2

4

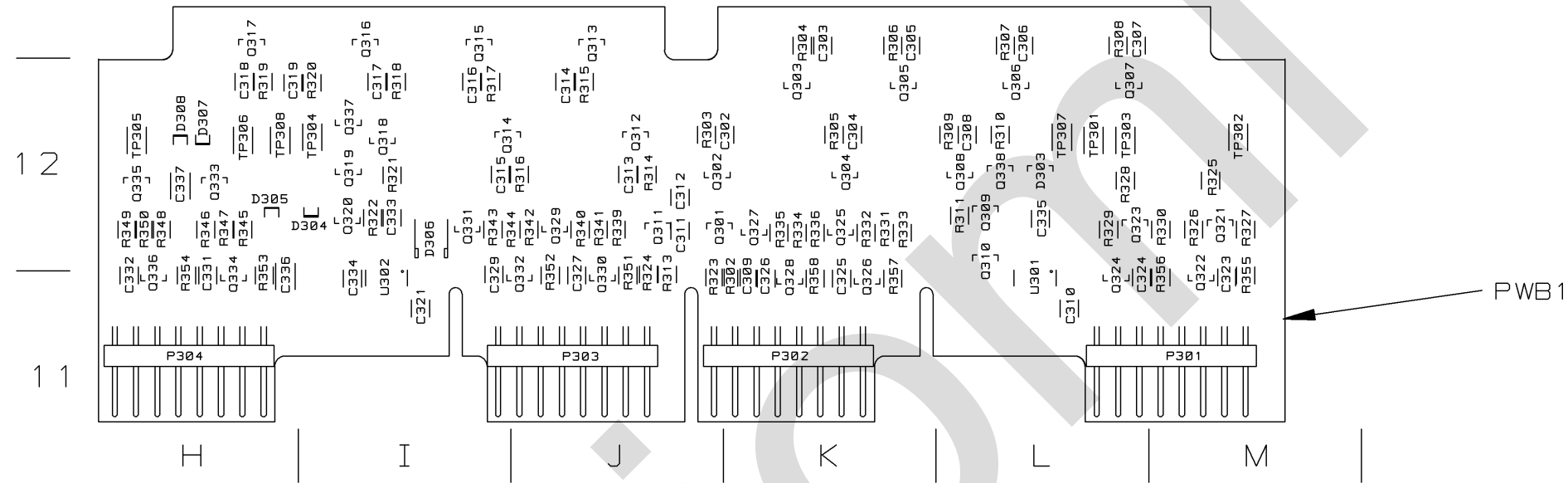
3

2

1

REVISION HISTORY


E. C. N.	ZONE	REV	DESCRIPTION	DATE	APPROVED		
					DWN	CM	PE
		A	SEE 131050-2_A.XLS FOR REVISION HISTORY AND PWA DATA.	04/08/02	KBZ	MMG	JRW

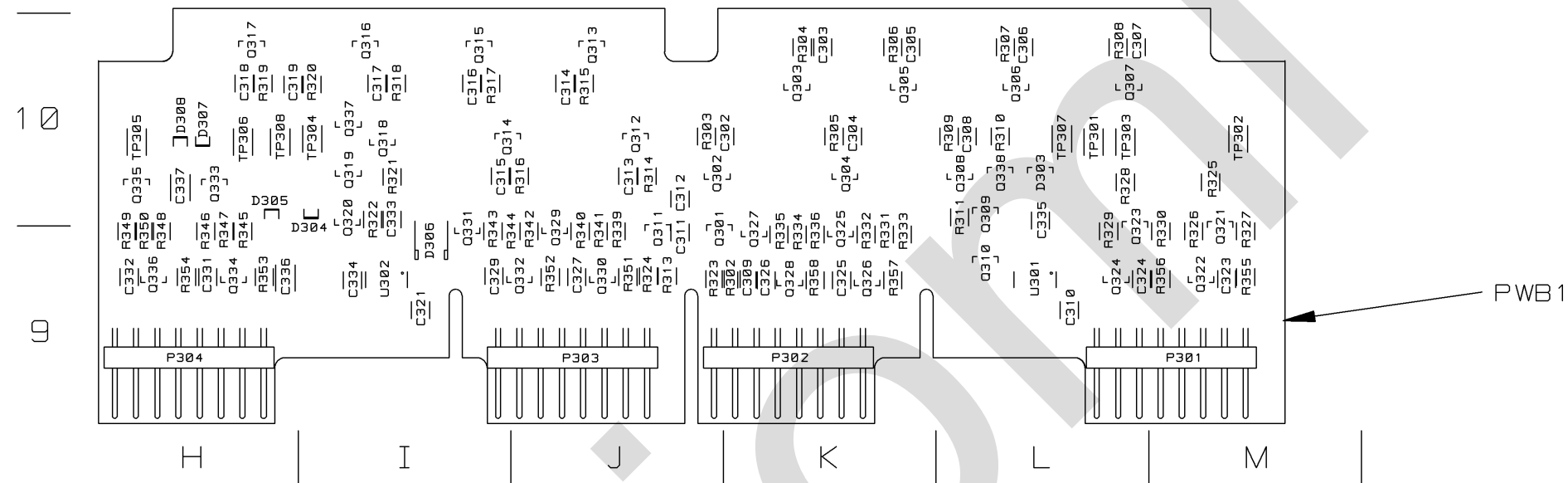


COMPONENT MAP  
TOP SIDE  
(TOP BOARD ON PANEL 134579-2)

**UNCONTROLLED**  
UNLESS OTHERWISE MARKED IN RED INK BY CM AS A CONTROLLED COPY, COPIES OF THESE DOCUMENTS INCLUDING ASSOCIATED ELECTRONIC REPRODUCTIONS ARE FOR REFERENCE ONLY.

THESE DRAWINGS AND SPECIFICATIONS ARE THE PROPERTY OF CROWN INTERNATIONAL, INC. AND SHALL NOT BE REPRODUCED, COPIED, OR USED AS THE BASIS FOR THE MANUFACTURE OR SALE OF APPARATUS OR DEVICES WITHOUT PERMISSION.

DISTRIBUTION	DWN	KBZ	04/08/02	 <b>CROWN</b> INTERNATIONAL, INC.	1718 W. MISHAWAKA RD. ELKHART IN. 46517 PHONE (219)294-8000 WWW.CROWNINTL.COM
K	CM	MMG	6/7/02		
FILENAME	PE	JRW	04/19/02	TITLE	
131050-2_A.TIF				PWA, BCA GATE DRIVE	
TOLERANCE UNLESS OTHERWISE SPECIFIED				SIZE	DWG NO.
.00 = ±.02"				B	131050-2
.000 = ±.010"					REV
DRILLS = ±.003"					A
DO NOT SCALE DRAWING				SCALE	NONE
				PROJ NO.	MD433D0
				SHEET	1 OF 3



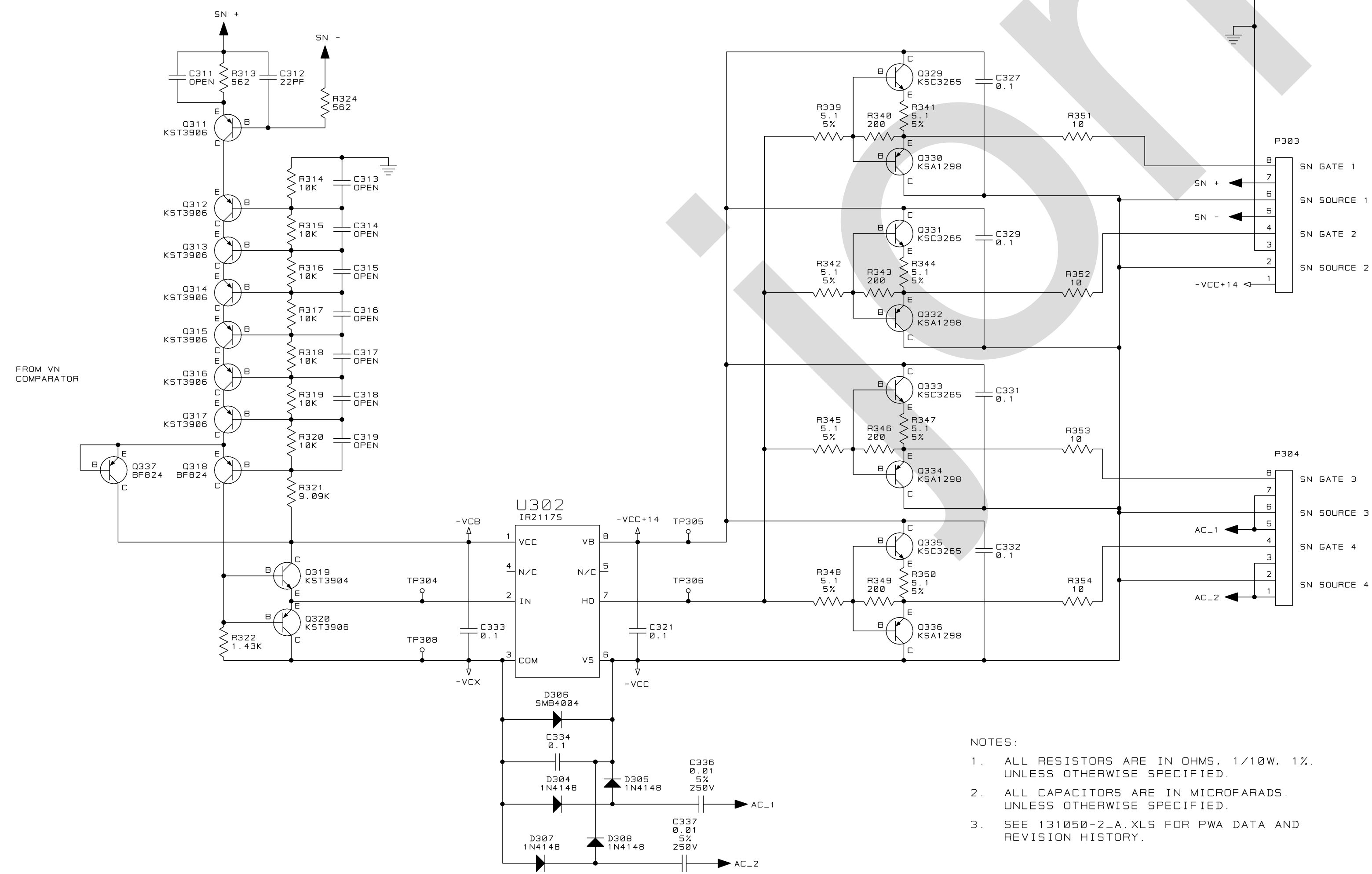
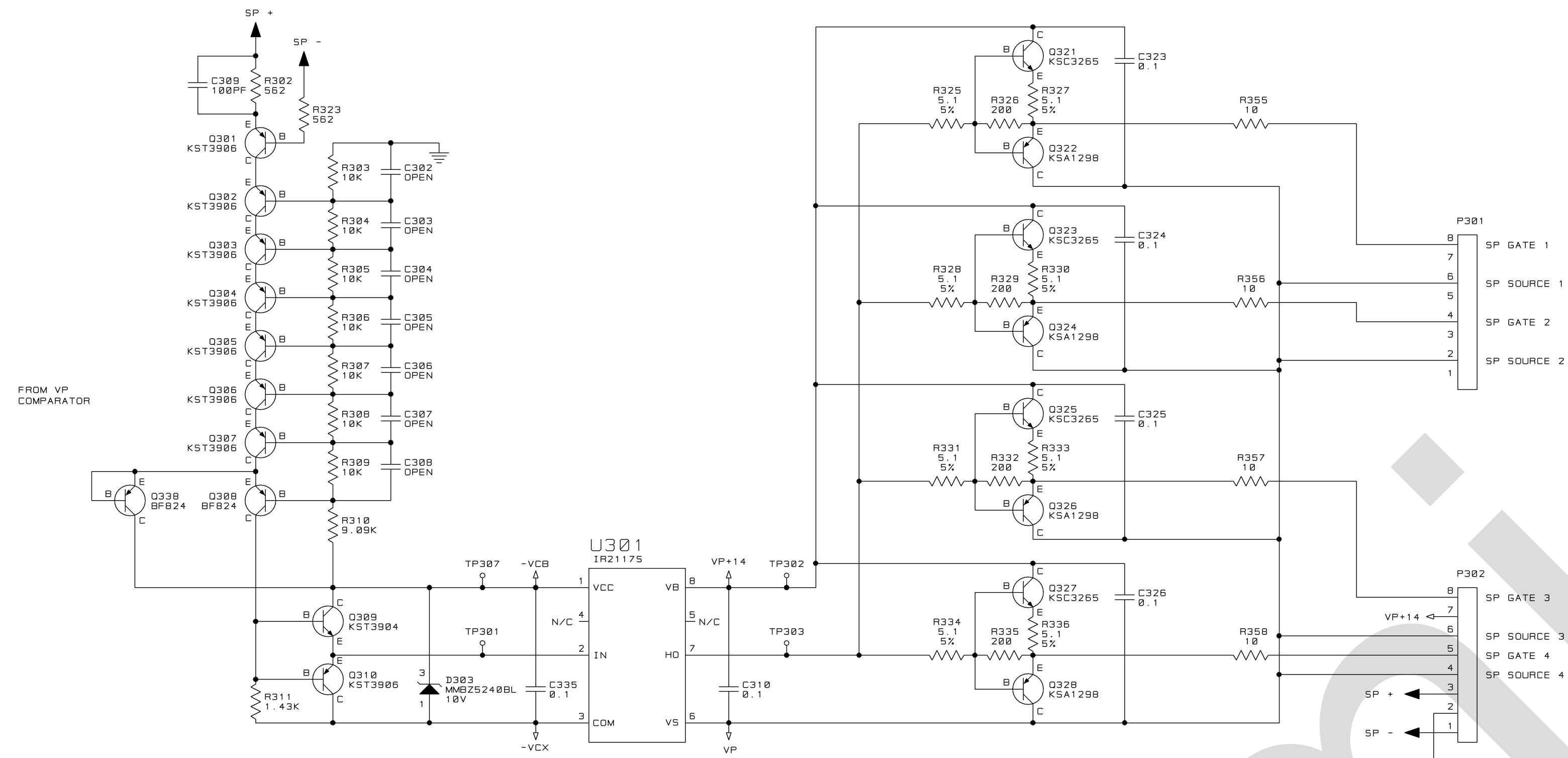
COMPONENT MAP  
 TOP SIDE  
 (BOTTOM BOARD ON PANEL 134579-2)

PWA, BCA GATE DRIVE

UNCONTROLLED  
 UNLESS OTHERWISE MARKED IN RED INK BY CM AS A CONTROLLED COPY, COPIES OF THESE DOCUMENTS INCLUDING ASSOCIATED ELECTRONIC REPRODUCTIONS ARE FOR REFERENCE ONLY.

THESE DRAWINGS AND SPECIFICATIONS ARE THE PROPERTY OF CROWN INTERNATIONAL, INC. AND SHALL NOT BE REPRODUCED, COPIED, OR USED AS THE BASIS FOR THE MANUFACTURE OR SALE OF APPARATUS OR DEVICES WITHOUT PERMISSION.

SIZE B	DWG NO. 131050-2	REV A
SCALE NONE	PROJ NO. MD433D0	SHEET 2 OF 3



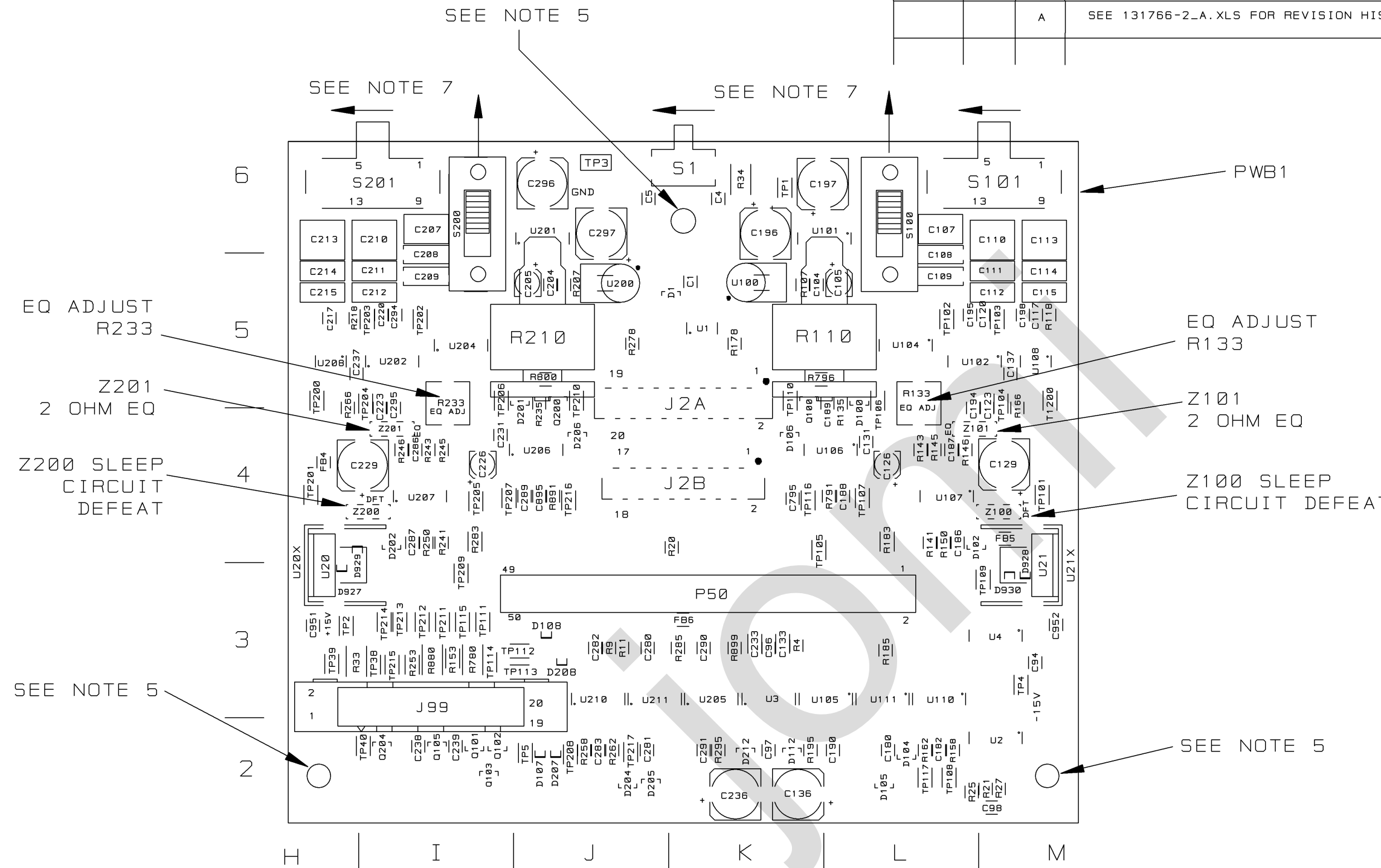
- NOTES:
1. ALL RESISTORS ARE IN OHMS. 1/10W. 1%. UNLESS OTHERWISE SPECIFIED.
  2. ALL CAPACITORS ARE IN MICROFARADS. UNLESS OTHERWISE SPECIFIED.
  3. SEE 131050-2.A.XLS FOR PWA DATA AND REVISION HISTORY.

BCA GATE DRIVE

UNCONTROLLED UNLESS OTHERWISE MARKED IN RED INK BY CM AS A CONTROLLED COPY. COPIES OF THESE DOCUMENTS INCLUDING ASSOCIATED ELECTRONIC REPRODUCTIONS ARE FOR REFERENCE ONLY.		THESE DRAWINGS AND SPECIFICATIONS ARE THE PROPERTY OF CROWN INTERNATIONAL, INC. AND SHALL NOT BE REPRODUCED, COPIED, OR USED AS THE BASIS FOR THE MANUFACTURE OR SALE OF APPARATUS OR DEVICES WITHOUT PERMISSION.		SIZE D	DWG NO. 131050-2	REV A
SCALE	NONE	PROJ. NO.	MD433DB	SHEET 3 OF 3		

REVISION HISTORY

E. C. N.	ZONE	REV	DESCRIPTION	DATE	APPROVED		
					DWN	CM	PE
		A	SEE 131766-2_A.XLS FOR REVISION HISTORY AND PWA DATA.	4/08/02	KBZ	MMG	JRW



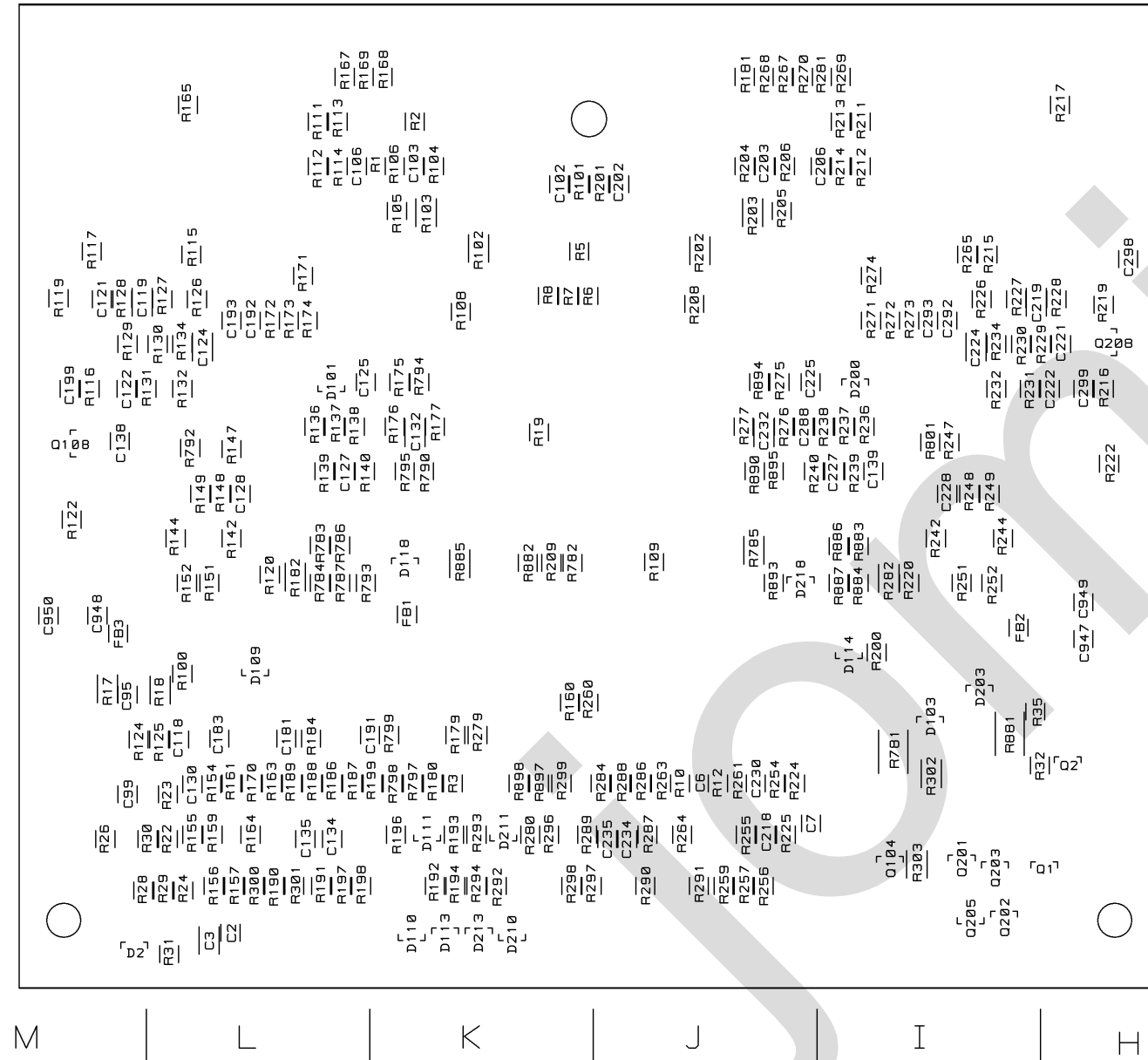
COMPONENT MAP  
TOP SIDE

UNCONTROLLED  
UNLESS OTHERWISE MARKED IN RED INK BY CM AS A CONTROLLED COPY, COPIES OF THESE DOCUMENTS INCLUDING ASSOCIATED ELECTRONIC REPRODUCTIONS ARE FOR REFERENCE ONLY.

THESE DRAWINGS AND SPECIFICATIONS ARE THE PROPERTY OF CROWN INTERNATIONAL, INC. AND SHALL NOT BE REPRODUCED, COPIED, OR USED AS THE BASIS FOR THE MANUFACTURE OR SALE OF APPARATUS OR DEVICES WITHOUT PERMISSION.

DISTRIBUTION	DWN	KBZ	04/08/02
K	CM	MMG	5-9-02
FILENAME	PE	JRW	04/19/02
131766-2_A.TIF			
TOLERANCE UNLESS OTHERWISE SPECIFIED			
.00 = ±.02"			
.000 = ±.010"			
DRILLS = ±.003"			
DO NOT SCALE DRAWING			

 <p>1718 W. MISHAWAKA RD. ELKHART IN. 46517 PHONE (219)294-8000 WWW.CROWNINTL.COM</p>	TITLE	PWA, BCA INPUT	
	SIZE	DWG NO.	REV
B	131766-2	A	
SCALE NONE	PROJ NO. MD433D0	SHEET 1 OF 5	



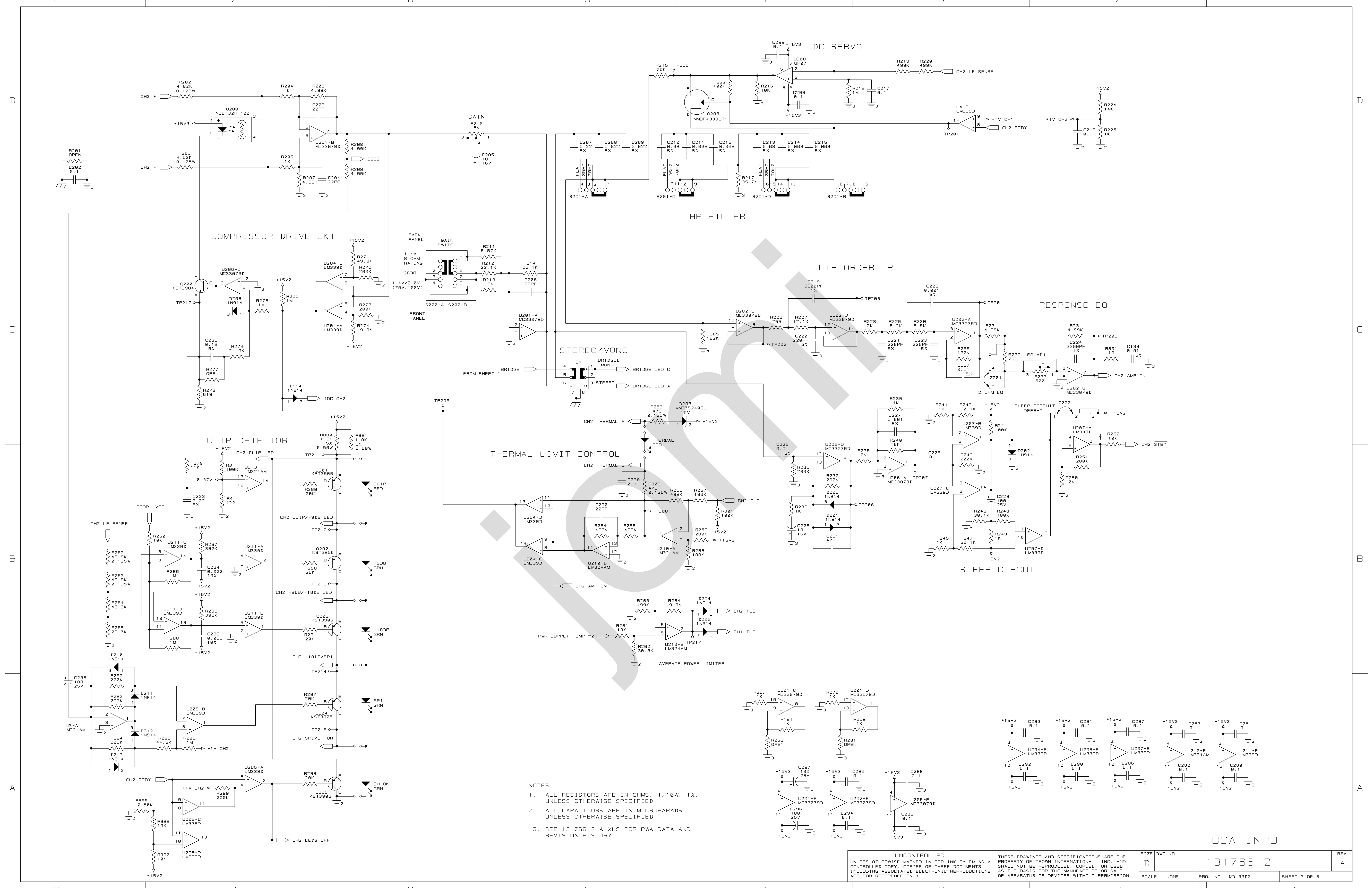
COMPONENT MAP  
BOTTOM SIDE

PWA, BCA INPUT

UNCONTROLLED  
UNLESS OTHERWISE MARKED IN RED INK BY CM AS A CONTROLLED COPY, COPIES OF THESE DOCUMENTS INCLUDING ASSOCIATED ELECTRONIC REPRODUCTIONS ARE FOR REFERENCE ONLY.

THESE DRAWINGS AND SPECIFICATIONS ARE THE PROPERTY OF CROWN INTERNATIONAL, INC. AND SHALL NOT BE REPRODUCED, COPIED, OR USED AS THE BASIS FOR THE MANUFACTURE OR SALE OF APPARATUS OR DEVICES WITHOUT PERMISSION.

SIZE B	DWG NO. 131766-2	REV A
SCALE NONE	PROJ NO. MD433D0	SHEET 2 OF 5



- NOTES:
1. ALL RESISTORS ARE IN OHMS, 1/10W, 1%. UNLESS OTHERWISE SPECIFIED.
  2. ALL CAPACITORS ARE IN MICROFARADS. UNLESS OTHERWISE SPECIFIED.
  3. SEE 131766-2.A.XLS FOR PWA DATA AND REVISION HISTORY.

D

D

C

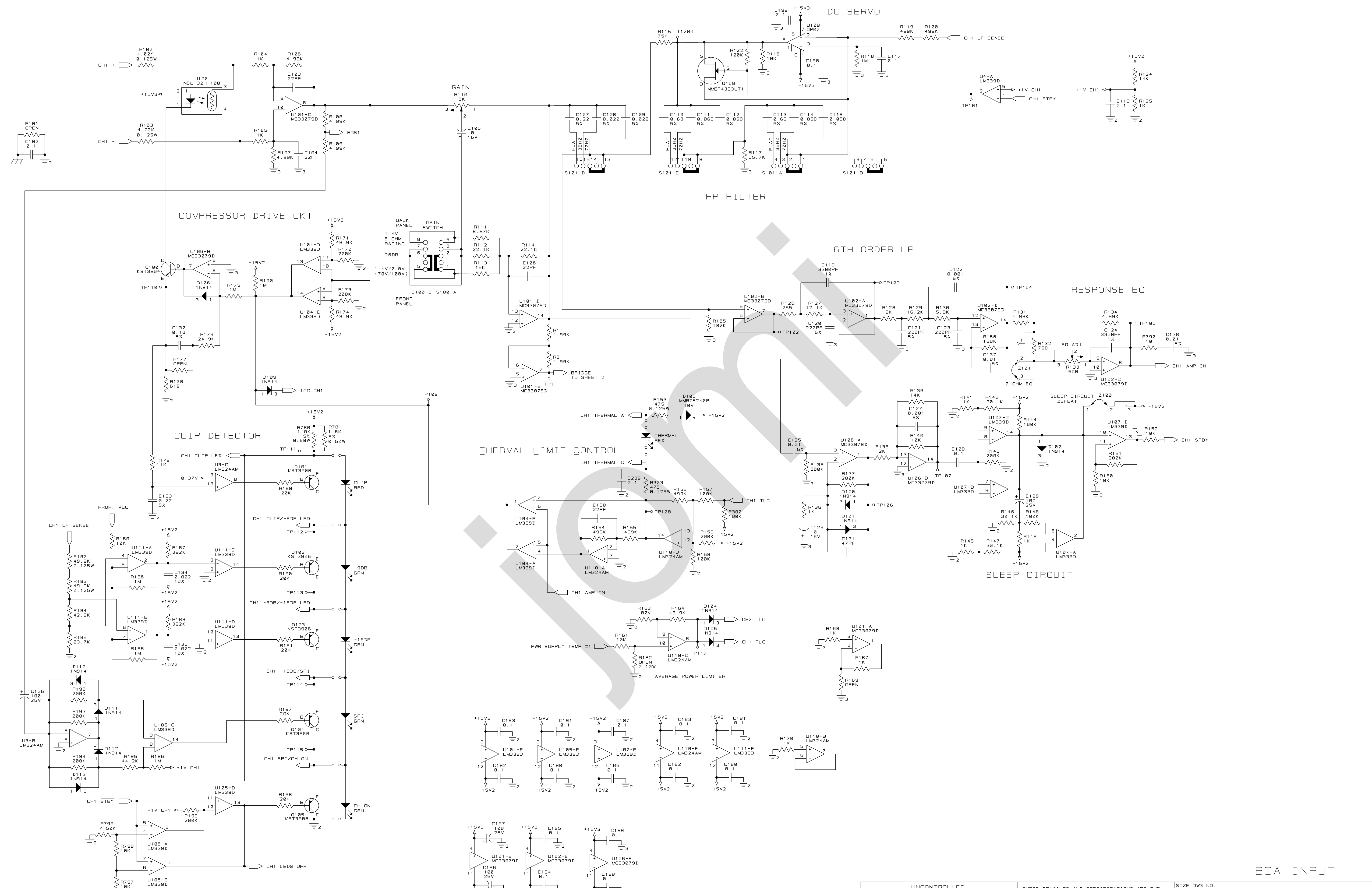
C

B

B

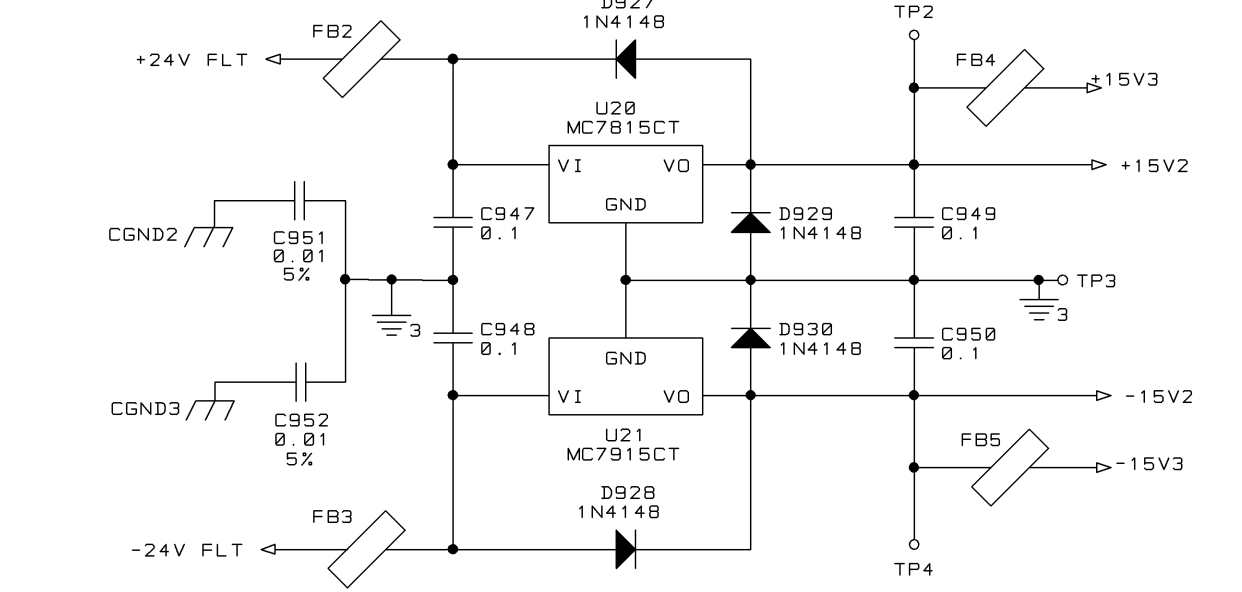
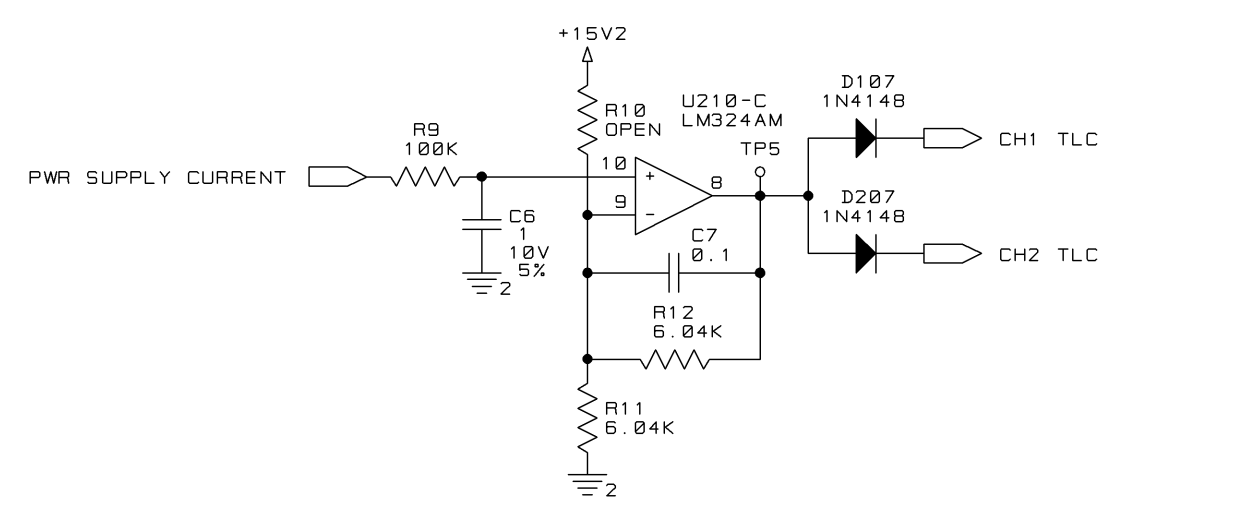
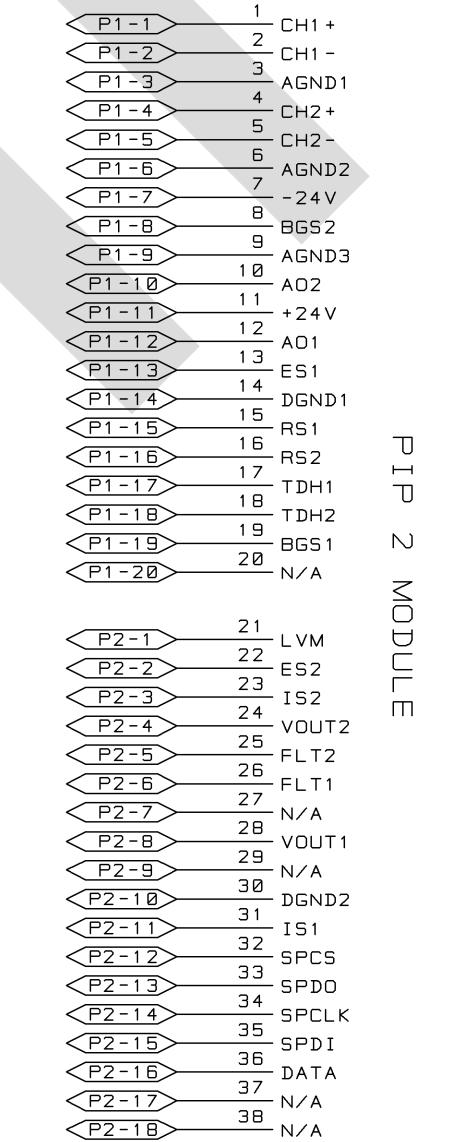
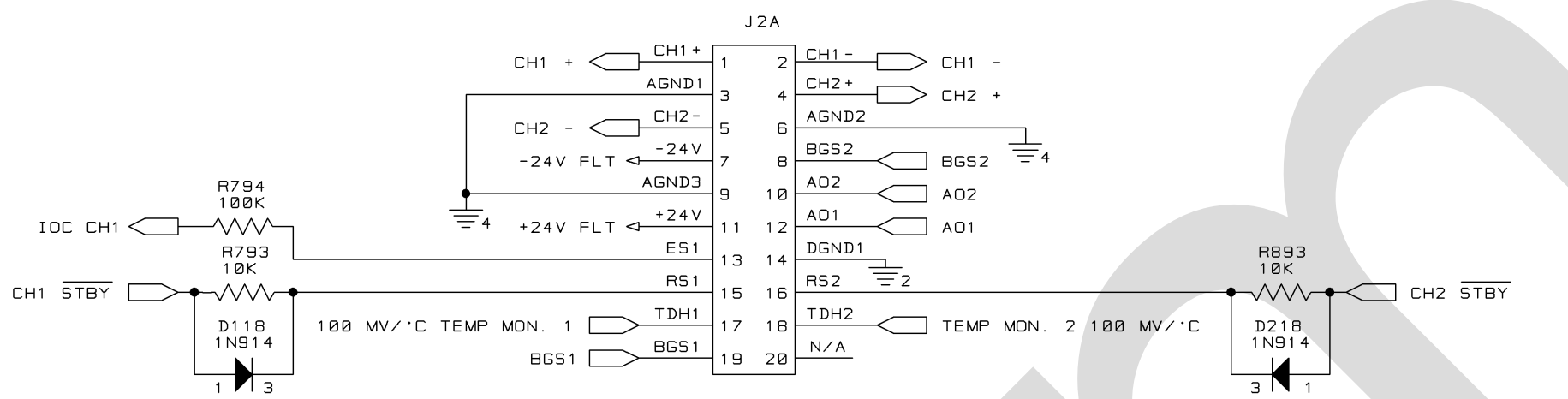
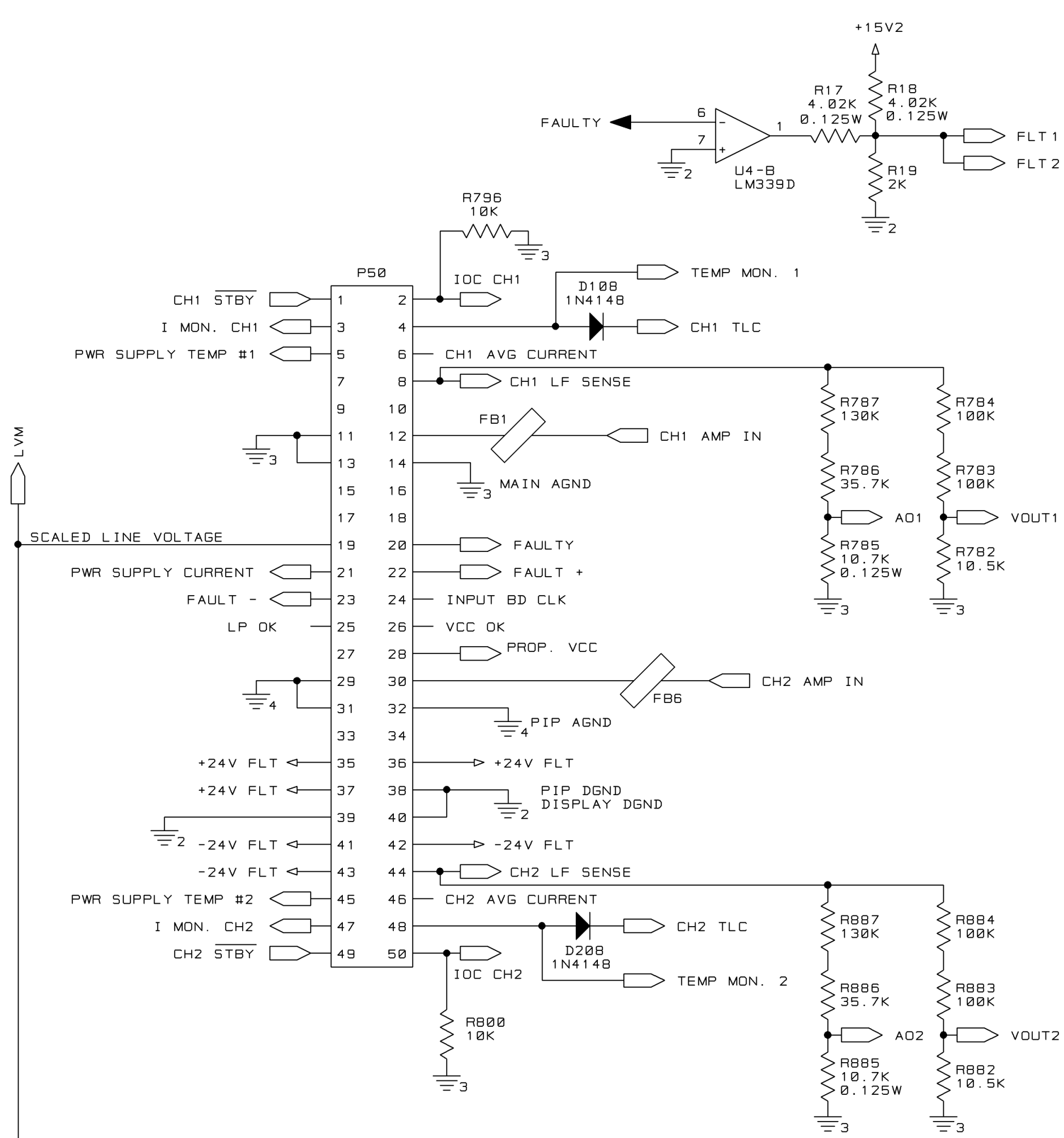
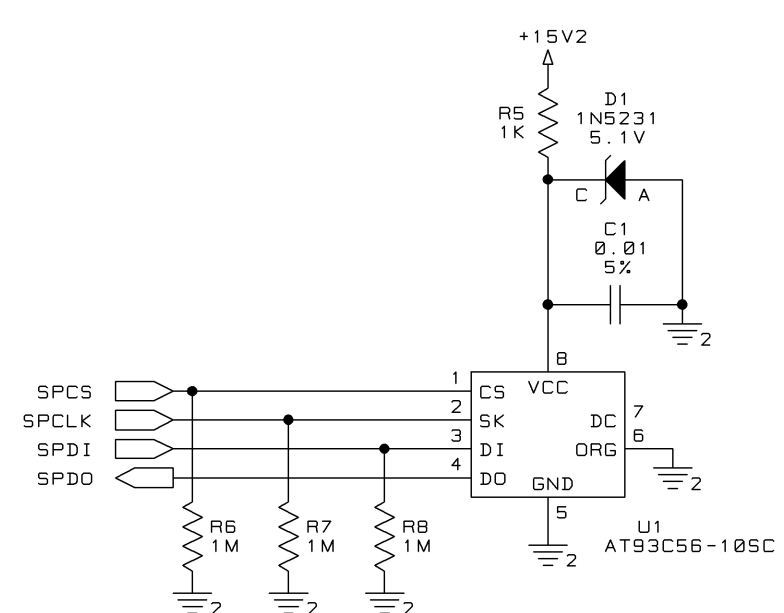
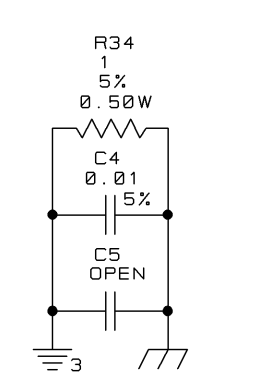
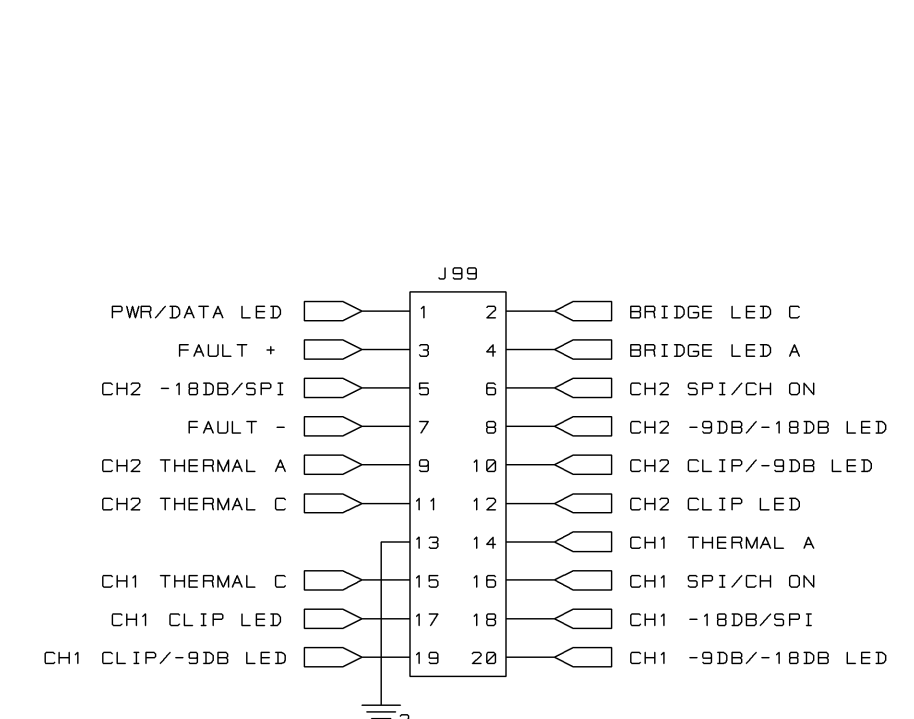
A

A

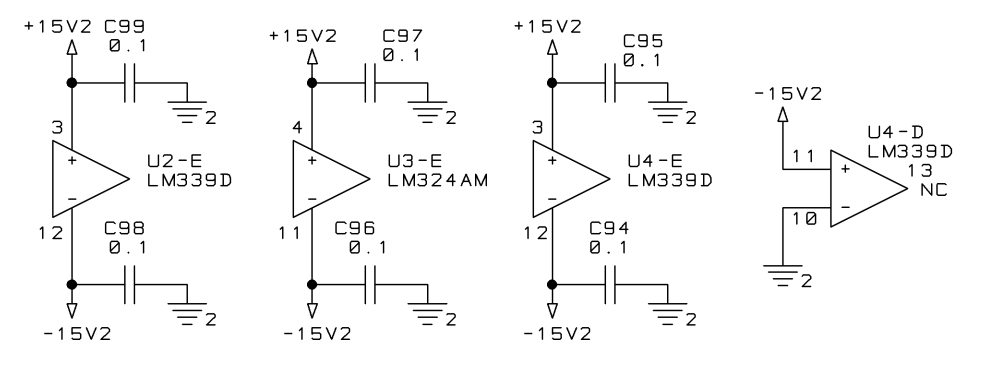
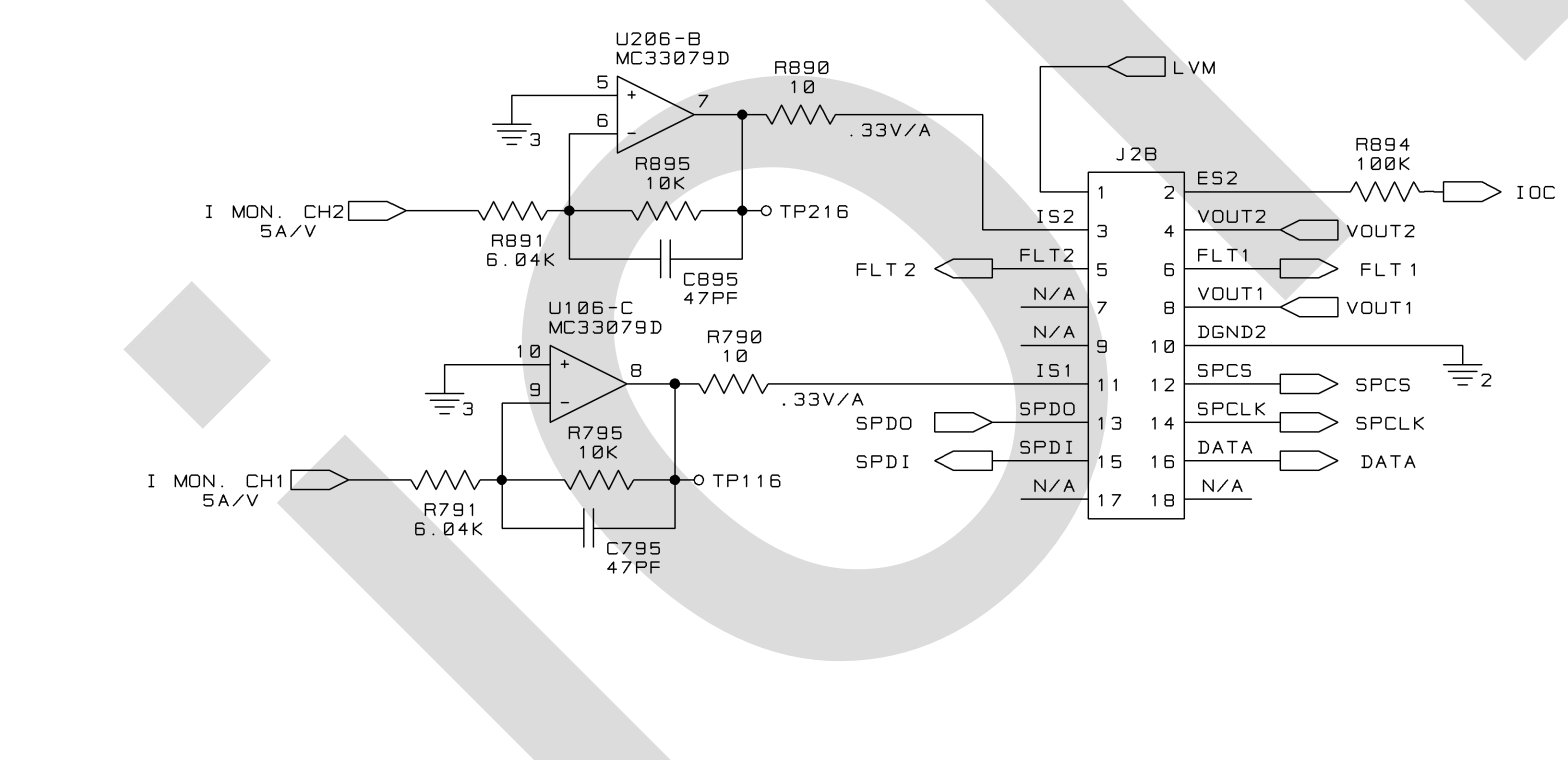
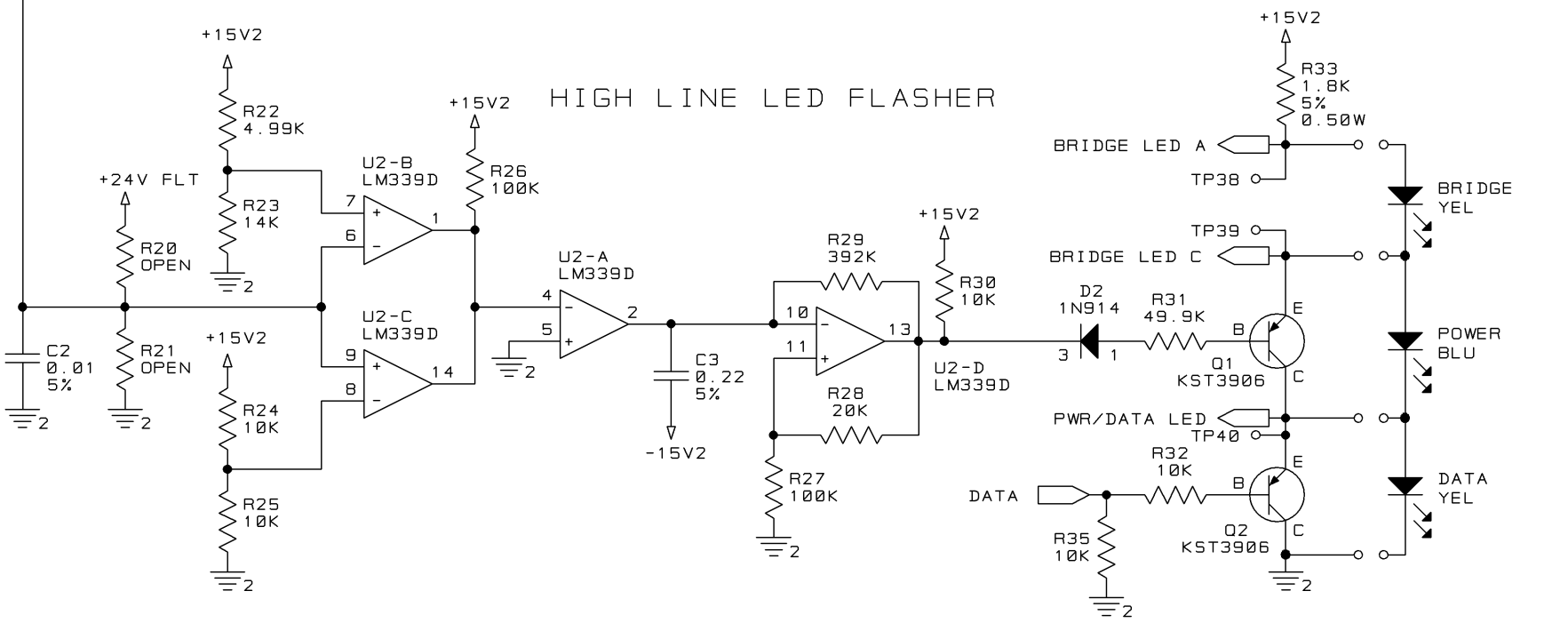


UNCONTROLLED		THESE DRAWINGS AND SPECIFICATIONS ARE THE PROPERTY OF CROWN INTERNATIONAL, INC. AND SHALL NOT BE REPRODUCED, COPIED, OR USED AS THE BASIS FOR THE MANUFACTURE OR SALE OF APPARATUS OR DEVICES WITHOUT PERMISSION.		SIZE D	DWG NO. 131766-2	REV A
SCALE NONE	PROJ NO. MD43300	SHEET 4 OF 5				





NOM. = 10V

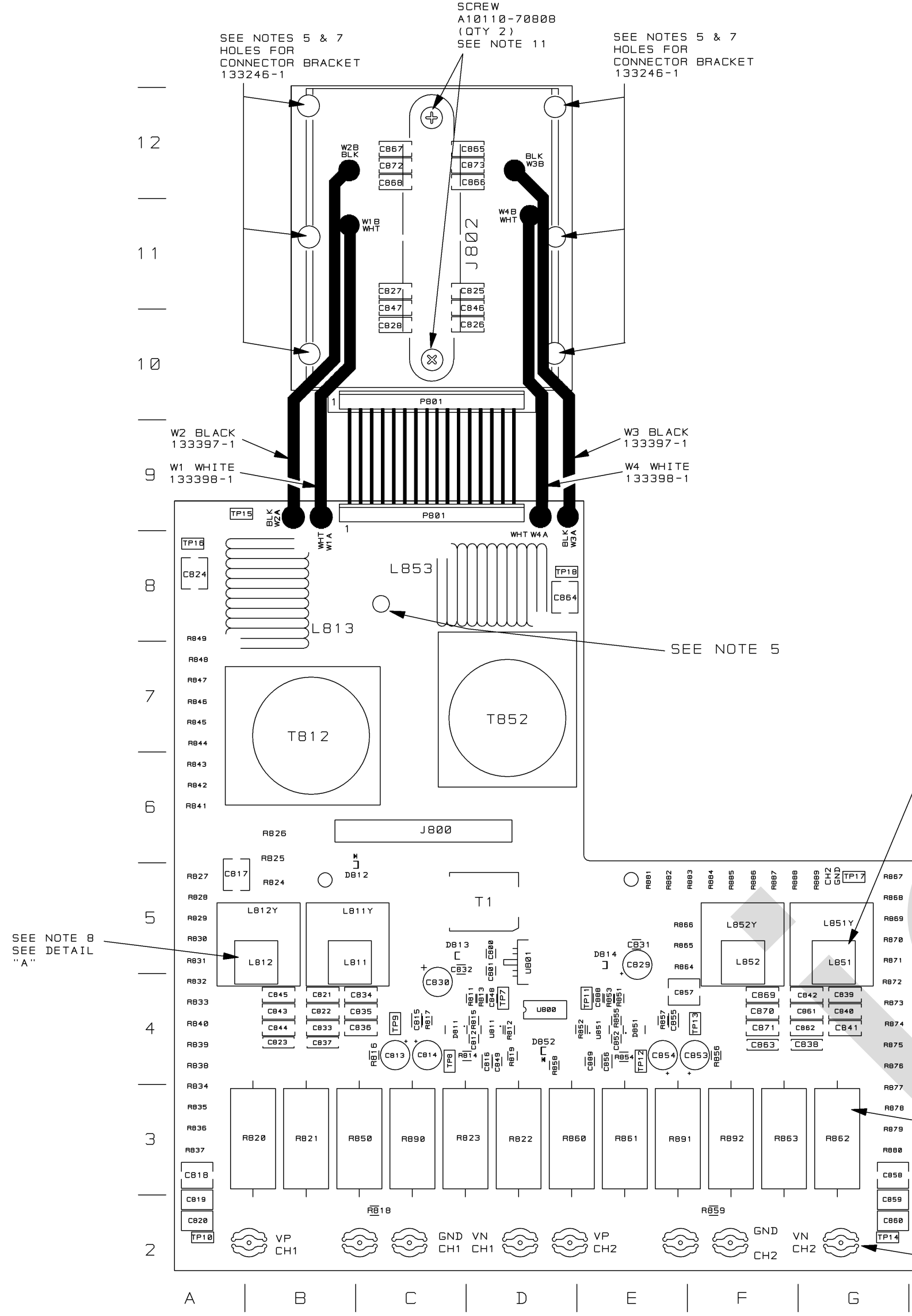
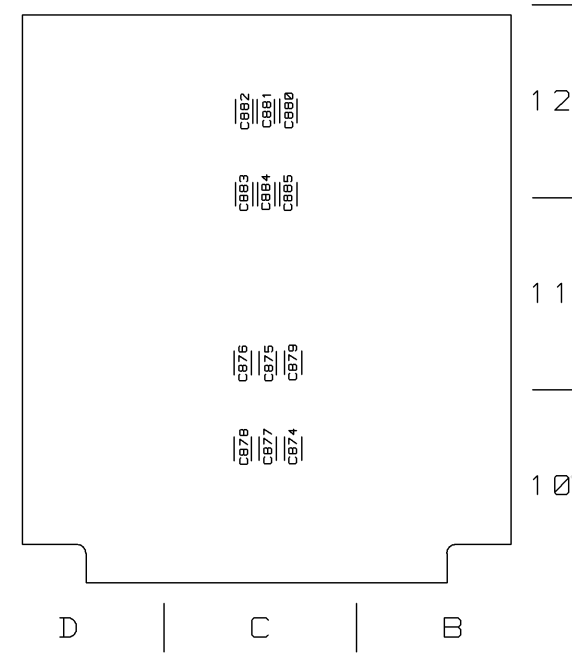


BCA INPUT

UNCONTROLLED UNLESS OTHERWISE MARKED IN RED INK BY CM AS A CONTROLLED COPY. COPIES OF THESE DOCUMENTS INCLUDING ASSOCIATED ELECTRONIC REPRODUCTIONS ARE FOR REFERENCE ONLY.		THESE DRAWINGS AND SPECIFICATIONS ARE THE PROPERTY OF CROWN INTERNATIONAL, INC. AND SHALL NOT BE REPRODUCED, COPIED, OR USED AS THE BASIS FOR THE MANUFACTURE OR SALE OF APPARATUS OR DEVICES WITHOUT PERMISSION.		SIZE D	DWG NO. 131766-2	REV A
SCALE NONE	PROJ NO. MD43300	SHEET 5 OF 5				

REVISION HISTORY					
E. C. N.	ZONE	REV	DESCRIPTION	DATE	APPROVED
		A	SEE 131408-2.A.XLS FOR PWA DATA AND REVISION HISTORY.	04/08/02	DWN CM PE KBZ MMG JRW

COMPONENT MAP  
BOTTOM SIDE



COMPONENT MAP  
TOP SIDE

DETAIL "A"  
FOR LOCATING  
L811, L812,  
L851, L852

UNCONTROLLED  
UNLESS OTHERWISE MARKED IN RED INK BY CM AS A  
CONTROLLED COPY, COPIES OF THESE DOCUMENTS  
INCLUDING ASSOCIATED ELECTRONIC REPRODUCTIONS  
ARE FOR REFERENCE ONLY. VERIFY LATEST  
REVISION PRIOR TO USE.

THESE DRAWINGS AND SPECIFICATIONS ARE THE  
PROPERTY OF CROWN INTERNATIONAL, INC. AND  
SHALL NOT BE REPRODUCED, COPIED, OR USED  
AS THE BASIS FOR THE MANUFACTURE OR SALE  
OF APPARATUS OR DEVICES WITHOUT PERMISSION.

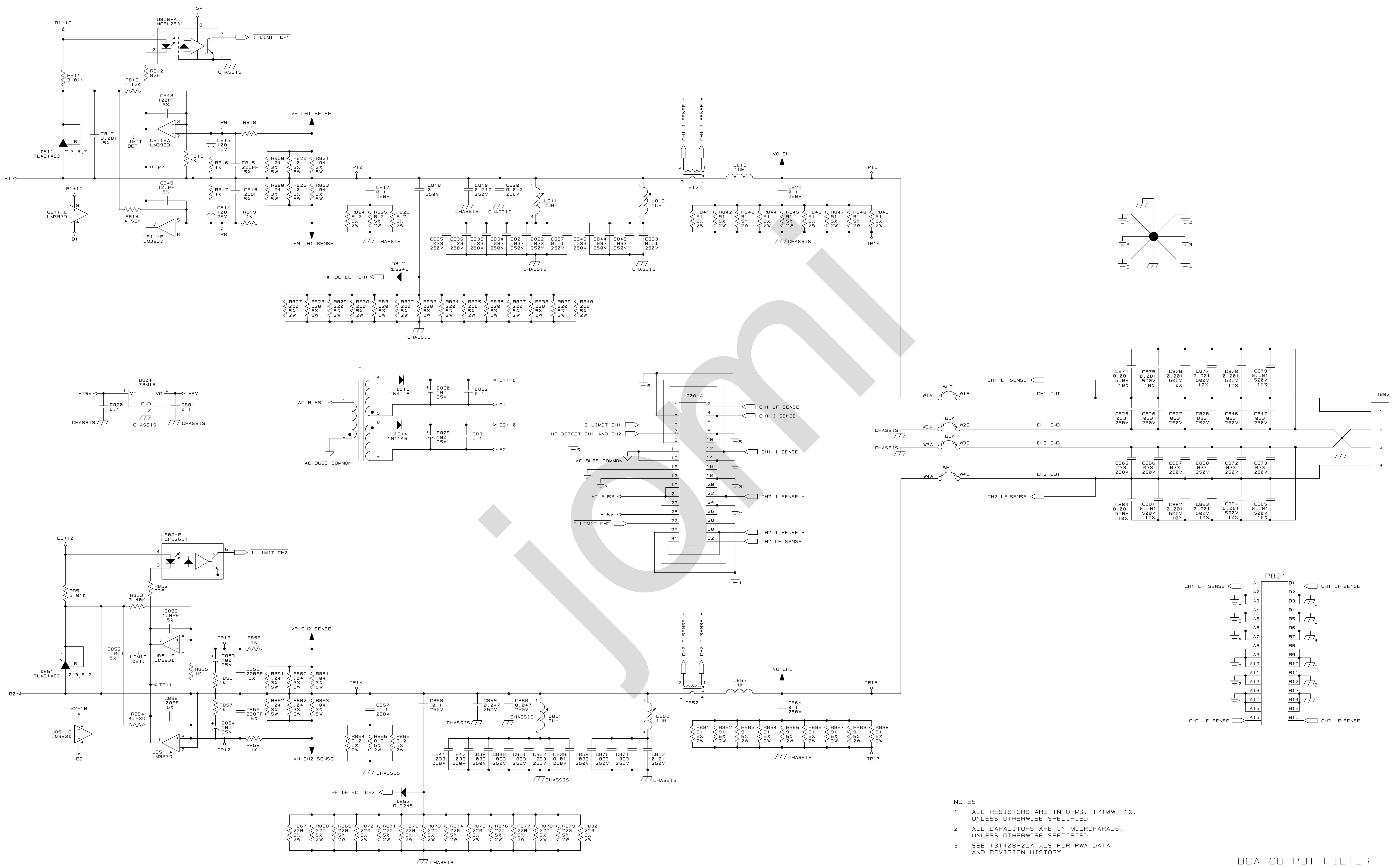
DISTRIBUTION	DWN	KBZ	4/08/02
K	CM	MMG	5/15/02
FILENAME	PE	JRW	4/19/02
131408-2.A.TIF			
TOLERANCE UNLESS OTHERWISE SPECIFIED			
.00 = ±.02"			
.000 = ±.010"			
DRILLS = ±.003"			
DO NOT SCALE DRAWING			

**CROWN** INTERNATIONAL, INC. 1718 W. MISHAWAKA RD. ELKHART IN. 46517 PHONE (219) 294-8000 WWW.CROWNINTL.COM

TITLE  
PWA, BCA OUTPUT FILTER

SIZE DWG NO. 131408-2 REV A

SCALE NONE PROJ. NO. MD433D0 SHEET 1 OF 2

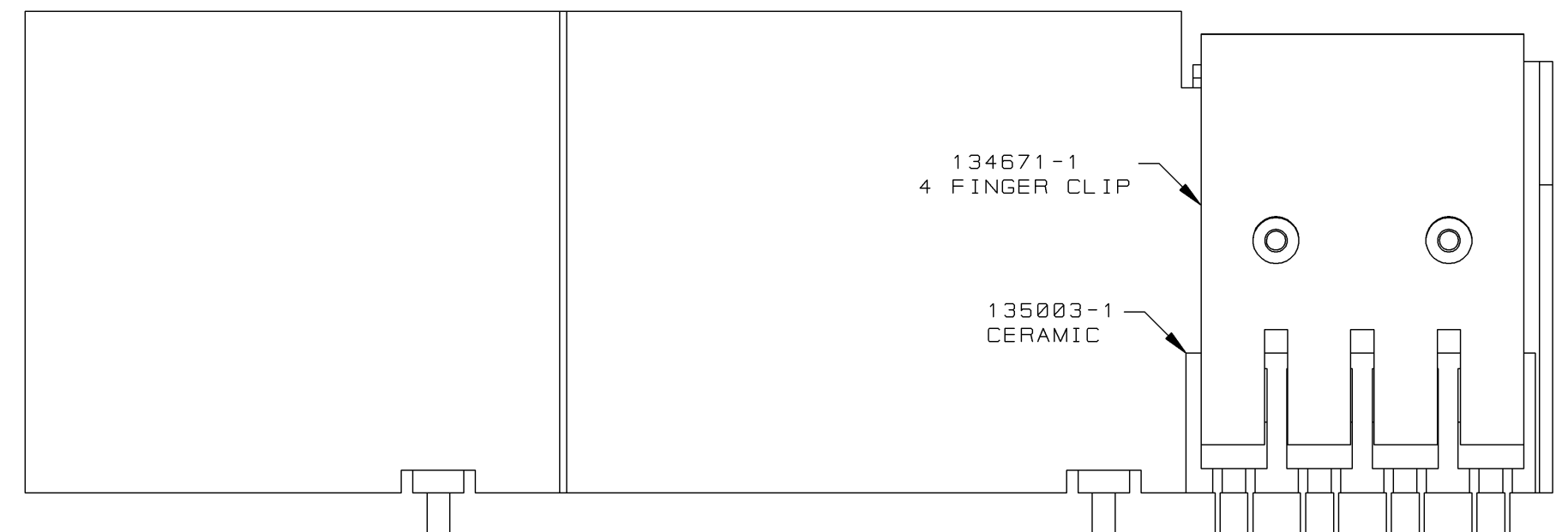
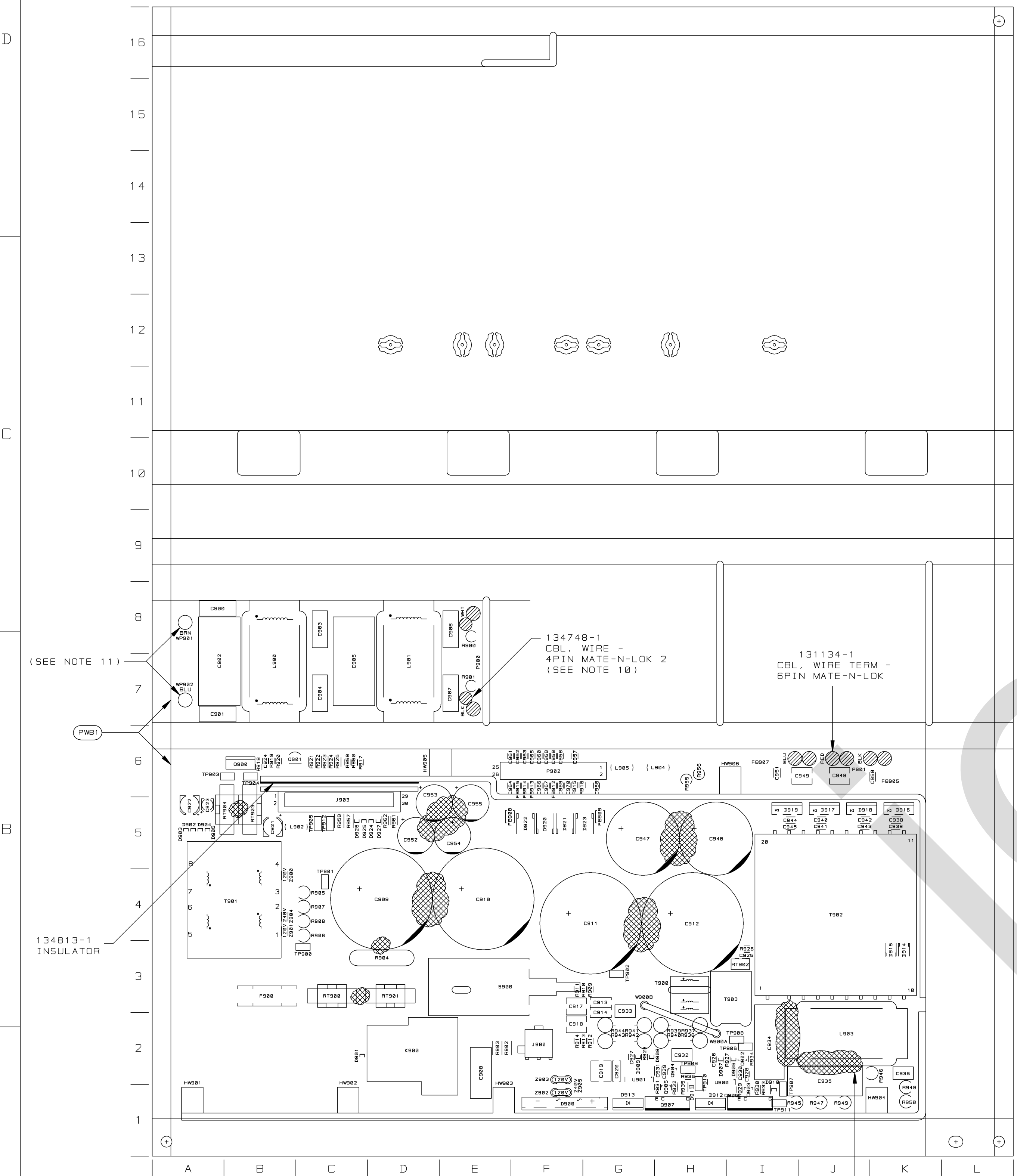


- NOTES:
1. ALL RESISTORS ARE IN OHMS, 1/10W, 1%. UNLESS OTHERWISE SPECIFIED.
  2. ALL CAPACITORS ARE IN MICROFARADS, UNLESS OTHERWISE SPECIFIED.
  3. SEE 131408-2.A.XLS FOR PWA DATA AND REVISION HISTORY.

BCA OUTPUT FILTER

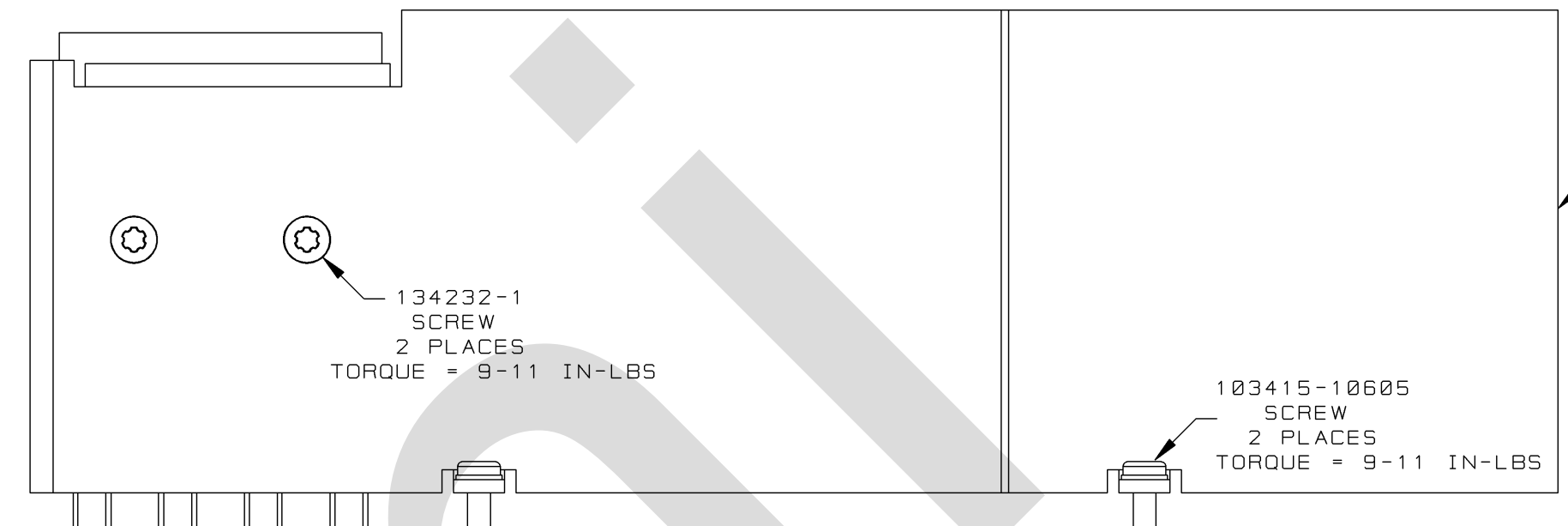
UNCONTROLLED UNLESS OTHERWISE MARKED IN RED INK BY CM AS A CONTROLLED COPY. COPIES OF THESE DOCUMENTS INCLUDING ASSOCIATED ELECTRONIC REPRODUCTIONS ARE FOR REFERENCE ONLY.		THESE DRAWINGS AND SPECIFICATIONS ARE THE PROPERTY OF CROWN INTERNATIONAL, INC. AND SHALL NOT BE REPRODUCED, COPIED, OR USED AS THE BASIS FOR THE MANUFACTURE OR SALE OF APPARATUS OR DEVICES WITHOUT PERMISSION.		SIZE D	DWG NO. 131408-2	REV A
SCALE NONE		PROJ NO. MD433D8		SHEET 2 OF 2		

COMPONENT MAP  
TOP SIDE

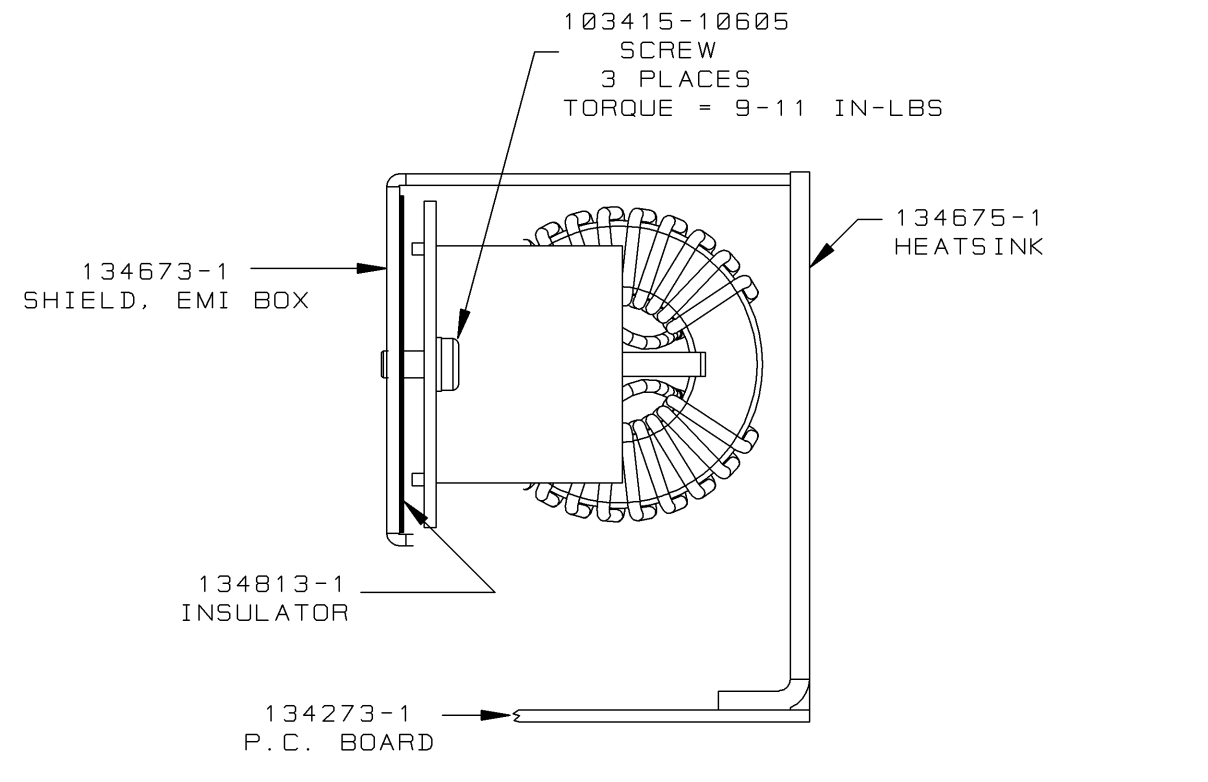


FRONT VIEW OF HEATSINK ASSEMBLY 134674-1

HEATSINK COMPOUND (S 2162-6) MUST BE BETWEEN COMPONENTS AND CERAMIC WAFER (135003-1).  
HEATSINK COMPOUND (S 2162-6) MUST BE BETWEEN CERAMIC WAFER AND HEATSINK (134674-1).  
HEATSINK COMPOUND (S 2162-6) THICKNESS TO BE 0.008" REFERENCE.

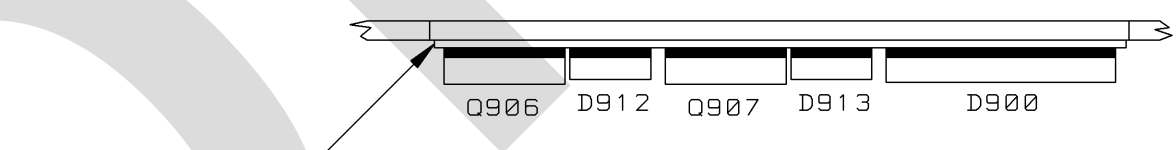


BACK VIEW OF HEATSINK ASSEMBLY 134674-1

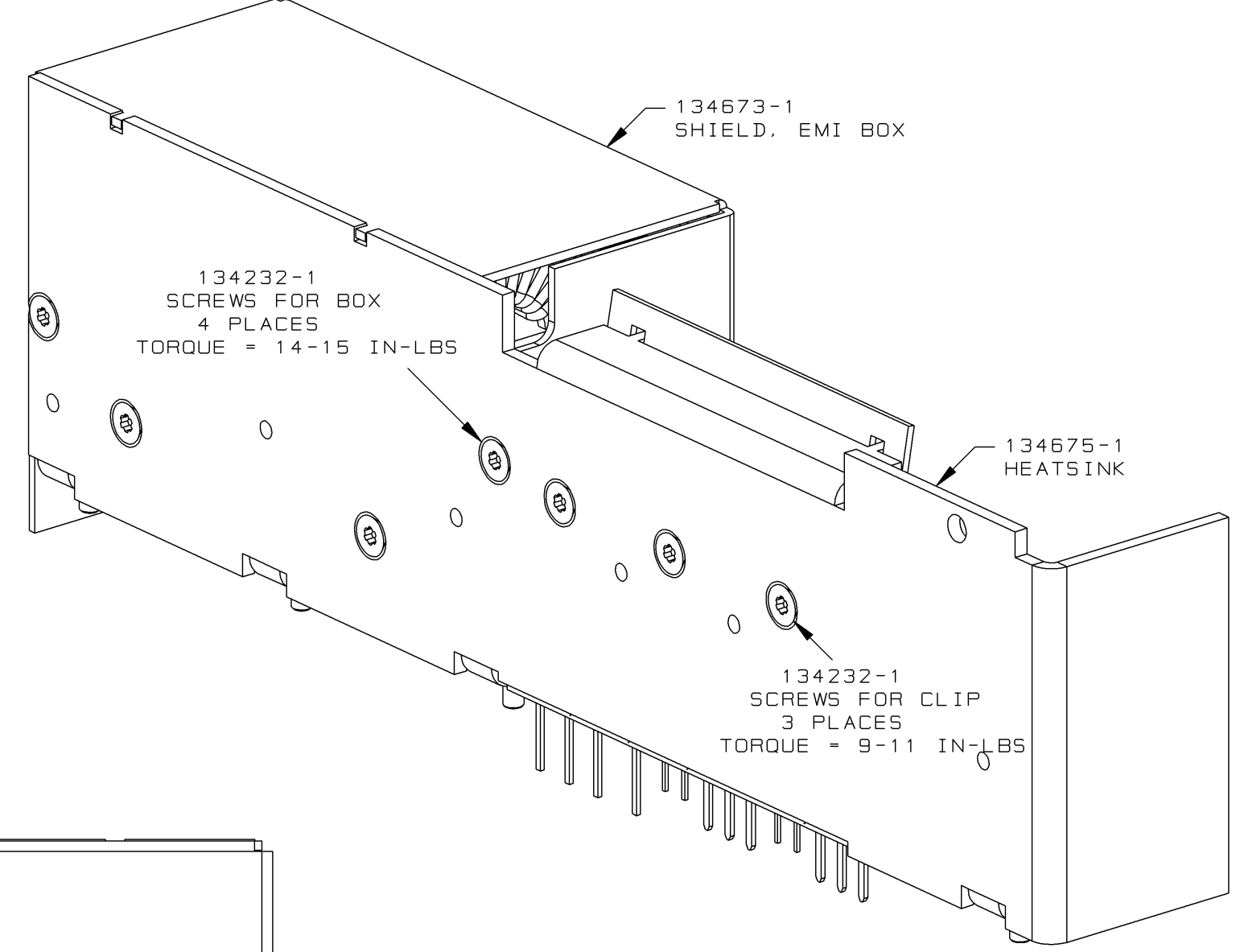


END VIEW OF HEATSINK ASSEMBLY 134675-1

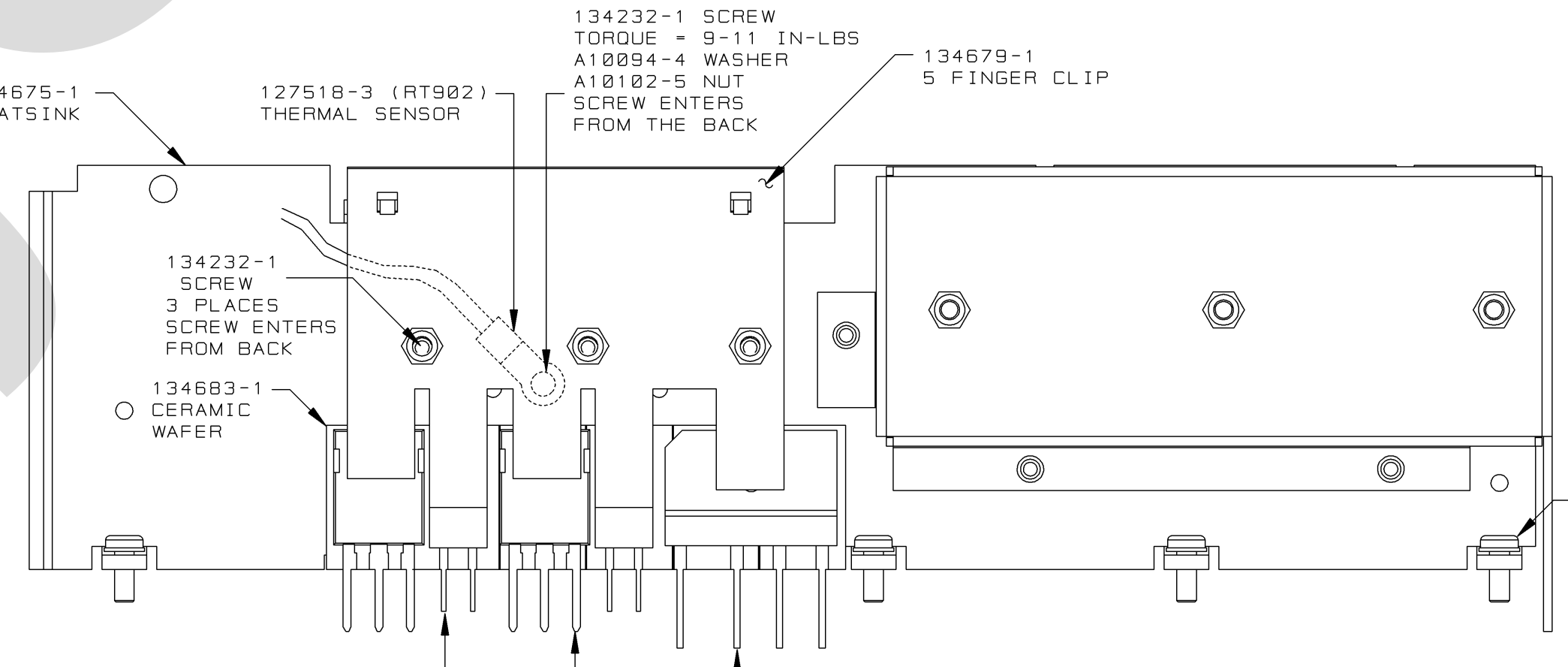
PARTIAL TOP VIEW OF HEATSINK ASSEMBLY 134675-1



HEATSINK COMPOUND (S 2162-6) MUST BE BETWEEN COMPONENTS AND CERAMIC WAFER (134683-1).  
HEATSINK COMPOUND (S 2162-6) MUST BE BETWEEN CERAMIC WAFER (134683-1) AND HEATSINK (134675-1).  
HEATSINK COMPOUND (S 2162-6) THICKNESS TO BE 0.008" REFERENCE.



ISOMETRIC VIEW OF THE BACK OF HEATSINK ASSEMBLY 134675-1



FRONT VIEW OF HEATSINK ASSEMBLY 134675-1

REVISION HISTORY				APPROVED			
E. C. N.	ZONE	REV	DESCRIPTION	DATE	DWN	CM	PE
		A	SEE 134274-1_A.XLS FOR REVISION HISTORY.	04-17-02	KLW	MMG	JW

DWN	KLW	04-17-02		1718 W. MISHAWAKA RD. ELKHART IN. 46517 PHONE (219) 294-8888 WWW.CROWNINTL.COM
CM	MMG	4-25-02		
PE	JW	04-17-02	TITLE	
DISTRIBUTION			PWA, SMPS MAIN	
FILENAME			134274-1_A-01_PCB	
UNCONTROLLED UNLESS OTHERWISE MARKED IN RED INK BY CM AS A CONTROLLED COPY. COPIES OF THESE DOCUMENTS INCLUDING ASSOCIATED ELECTRONIC REPRODUCTIONS ARE FOR REFERENCE ONLY.			TOLERANCE UNLESS OTHERWISE SPECIFIED	
THESE DRAWINGS AND SPECIFICATIONS ARE THE PROPERTY OF CROWN INTERNATIONAL, INC. AND SHALL NOT BE REPRODUCED, COPIED, OR USED AS THE BASIS FOR THE MANUFACTURE OR SALE OF APPARATUS OR DEVICES WITHOUT PERMISSION.			SIZE DWG. NO. 134274-1	
DO NOT SCALE DRAWING			REV A	
SCALE NONE			SHEET 1 OF 2	
PROJ. NO. MD433DD				

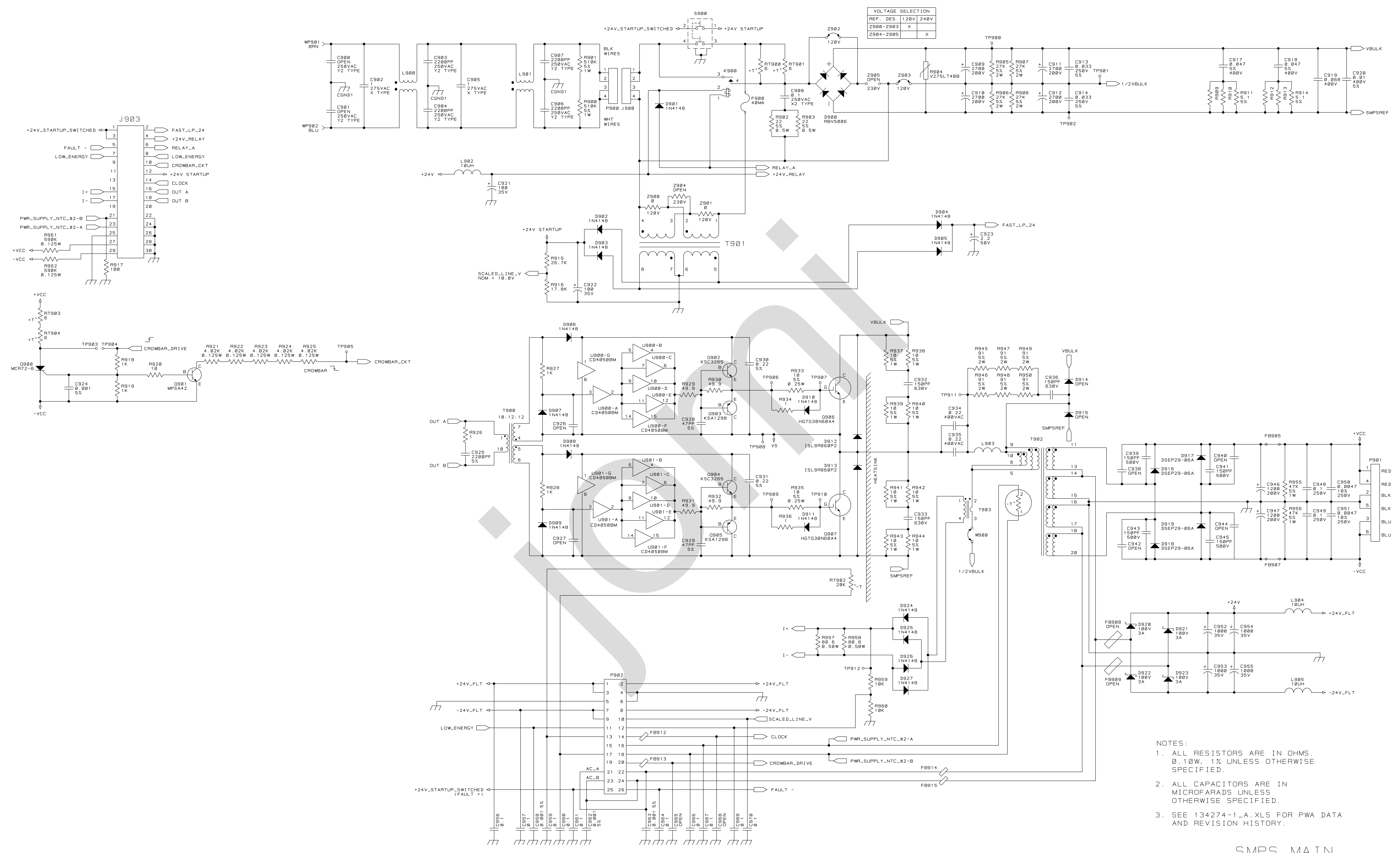
134923-1  
HOT MELT GLUE  
9 PLACES

D

C

B

A



- NOTES:
1. ALL RESISTORS ARE IN OHMS. 0.10W, 1% UNLESS OTHERWISE SPECIFIED.
  2. ALL CAPACITORS ARE IN MICROFARADS UNLESS OTHERWISE SPECIFIED.
  3. SEE 134274-1\_A.XLS FOR PWA DATA AND REVISION HISTORY.

SMPS MAIN

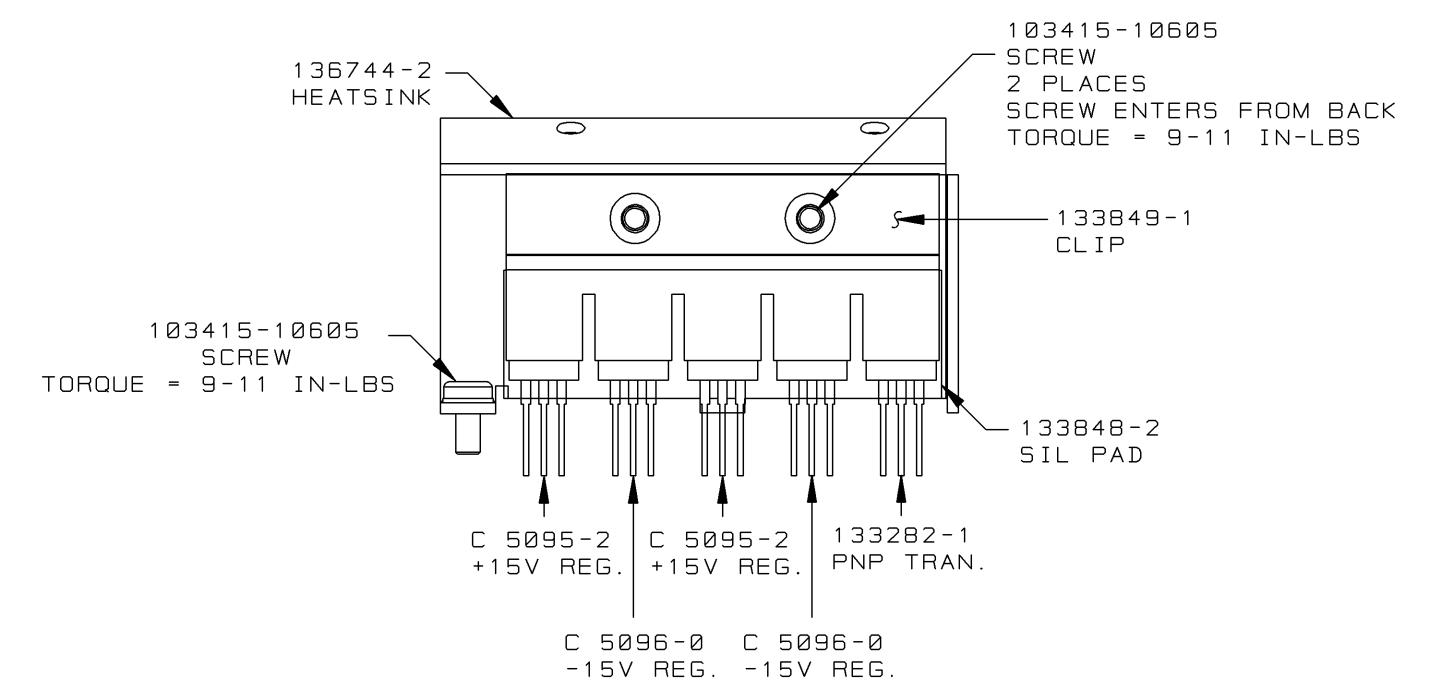
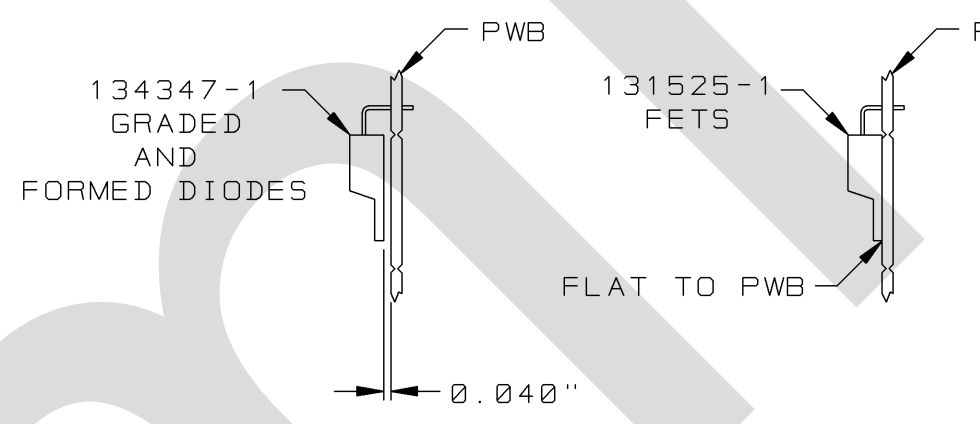
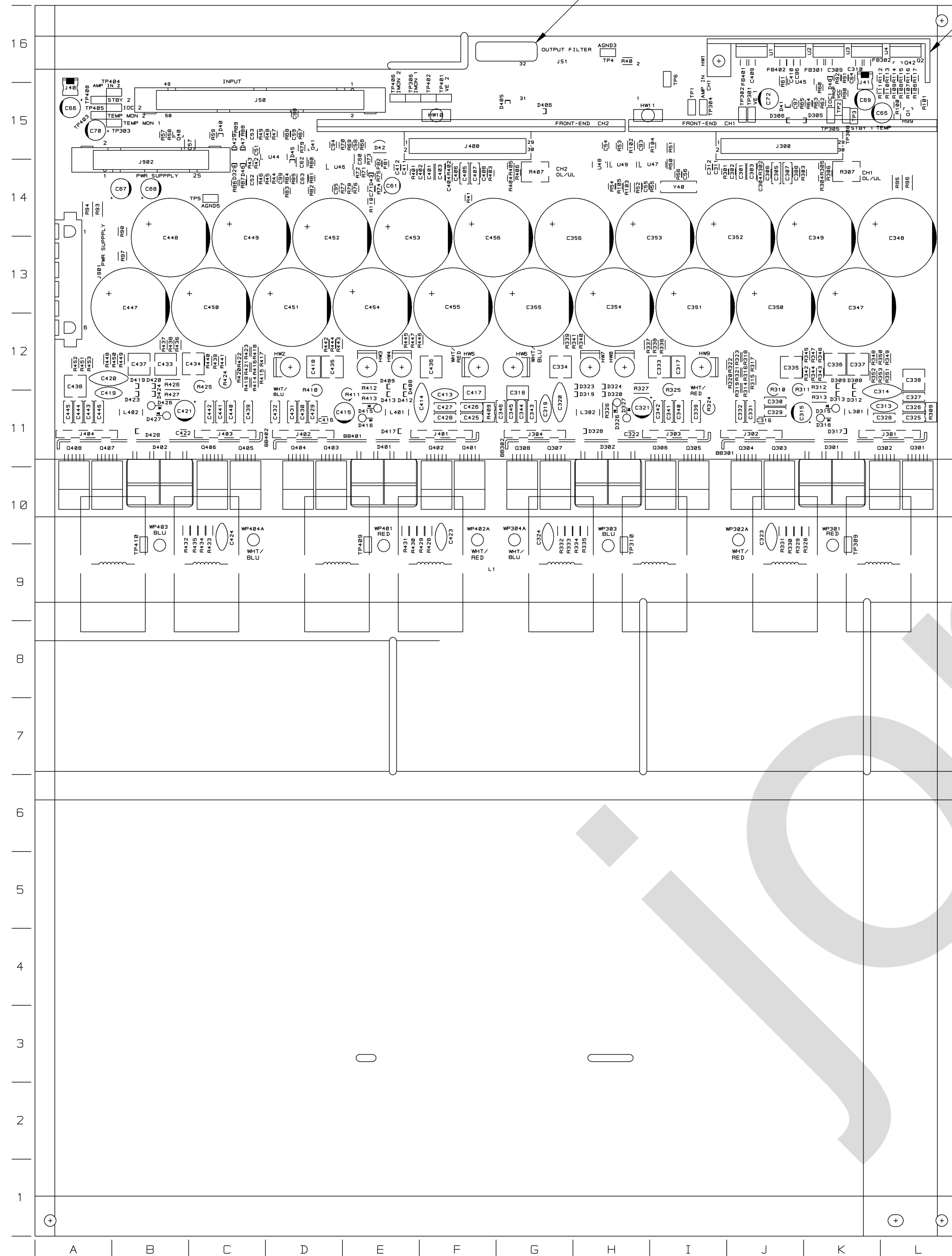
UNCONTROLLED		THESE DRAWINGS AND SPECIFICATIONS ARE THE PROPERTY OF CROWN INTERNATIONAL, INC. AND SHALL NOT BE REPRODUCED, COPIED, OR USED IN ANY MANNER WITHOUT THE WRITTEN PERMISSION OF CROWN INTERNATIONAL, INC.		SIZE	DWG NO.	REV
UNLESS OTHERWISE MARKED IN RED INK BY CM AS A CONTROLLED COPY, COPIES OF THESE DOCUMENTS INCLUDING ASSOCIATED ELECTRONIC REPRODUCTIONS ARE FOR REFERENCE ONLY.				D	134274-1	A
				SCALE	PROJ NO.	SHEET 2 OF 2
				NONE	MD433D8	

REVISION HISTORY				APPROVED	
E.C.N.	ZONE	REV	DESCRIPTION	DATE	
		A	SEE 134476-4.A.XLS FOR COMPONENT DATA AND REVISION HISTORY.	10-30-03	KLW DSV JW
04N0200		B	SEE 134476-4.B.XLS FOR COMPONENT DATA AND REVISION HISTORY.	4-1-04	MES KZ JW

COMPONENT MAP  
TOP SIDE

SEE NOTE 5

SEE DETAIL "A"

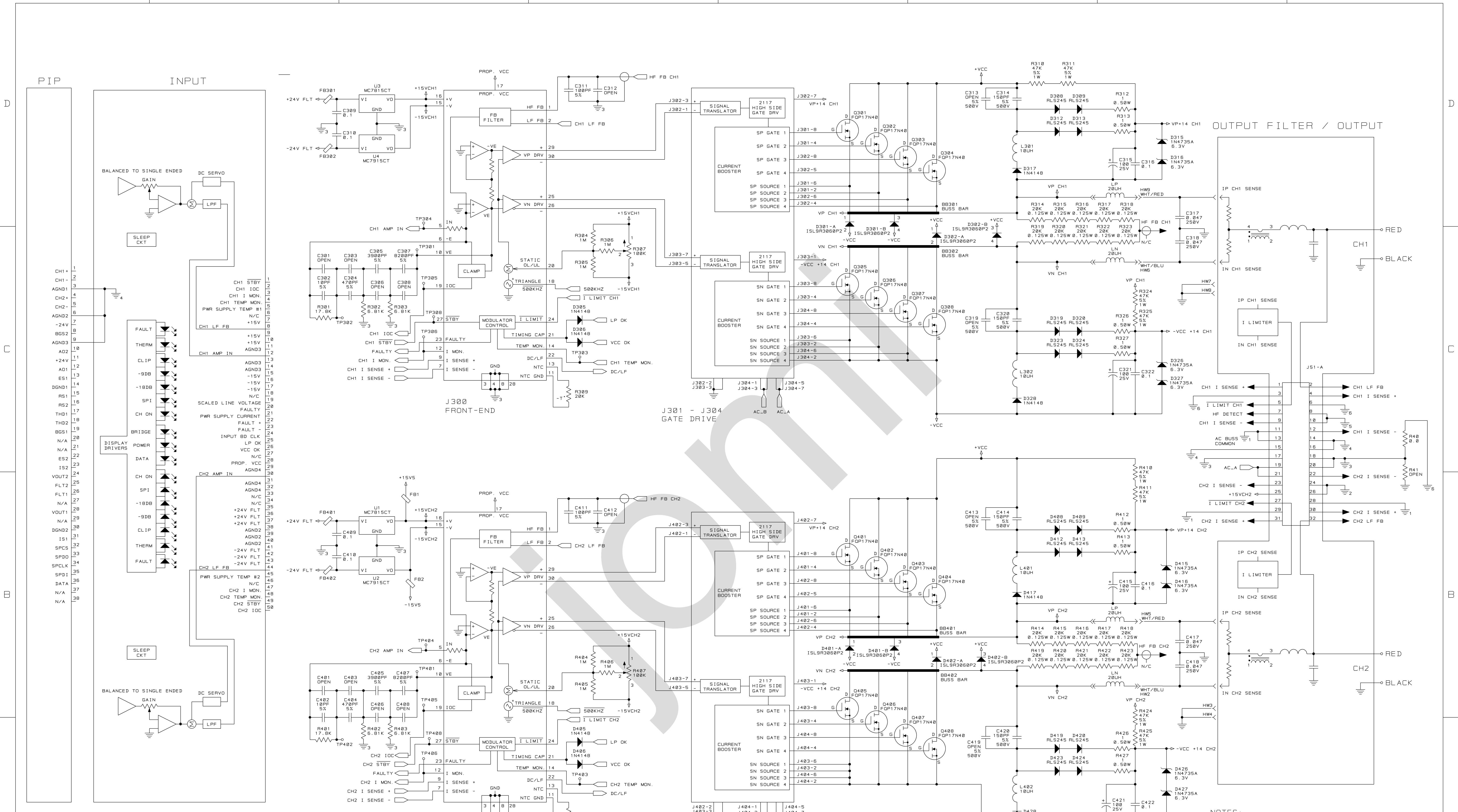


DETAIL "A"  
SCALE 1:1

SEE 134476-4\_B.XLS FOR PWA DATA

UNCONTROLLED  
UNLESS OTHERWISE MARKED IN RED INK BY CM AS A CONTROLLED COPY. COPIES OF THESE DOCUMENTS INCLUDING ASSOCIATED ELECTRONIC REPRODUCTIONS ARE FOR REFERENCE ONLY.  
THESE DRAWINGS AND SPECIFICATIONS ARE THE PROPERTY OF CROWN INTERNATIONAL, INC. AND SHALL NOT BE REPRODUCED, COPIED, OR USED AS THE BASIS FOR THE MANUFACTURE OR SALE OF APPARATUS OR DEVICES WITHOUT PERMISSION.

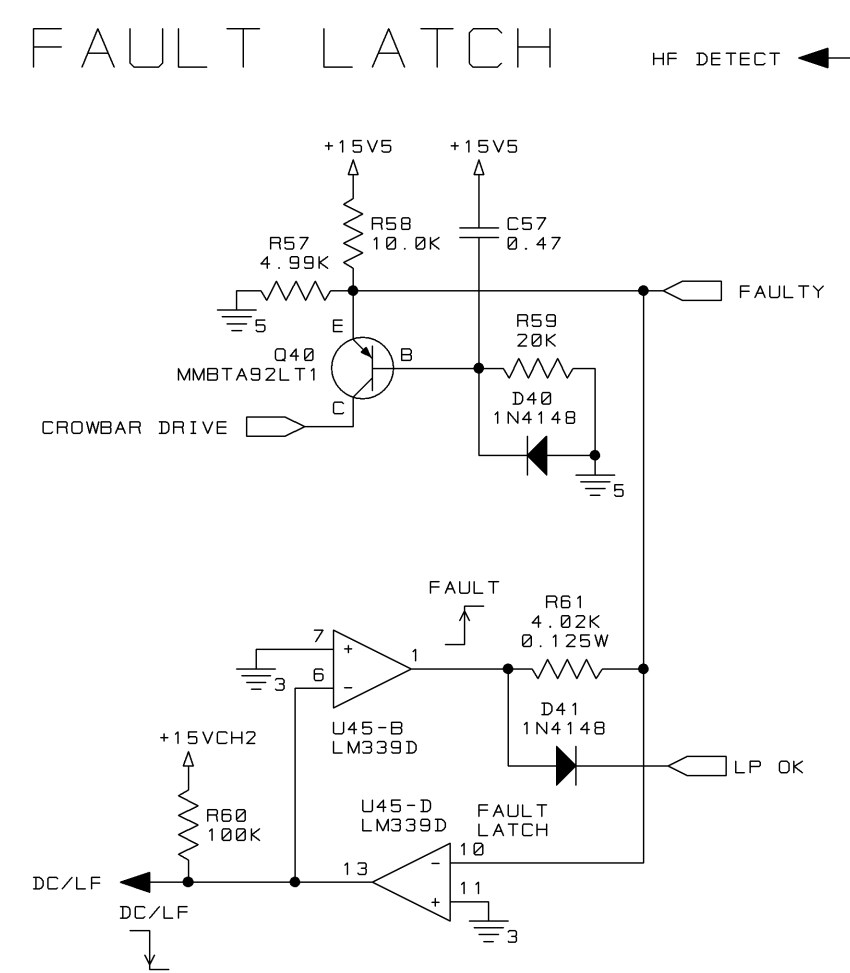
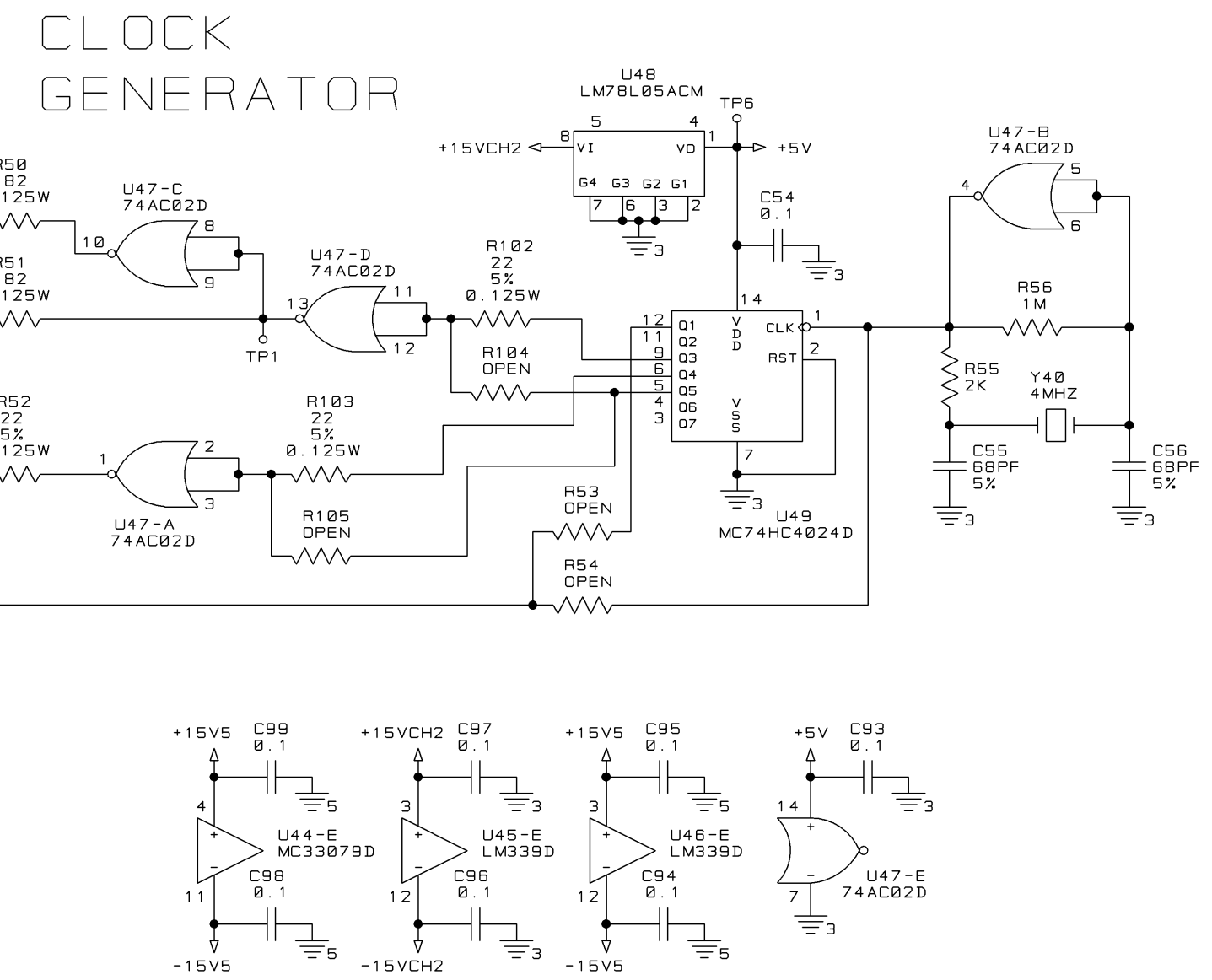
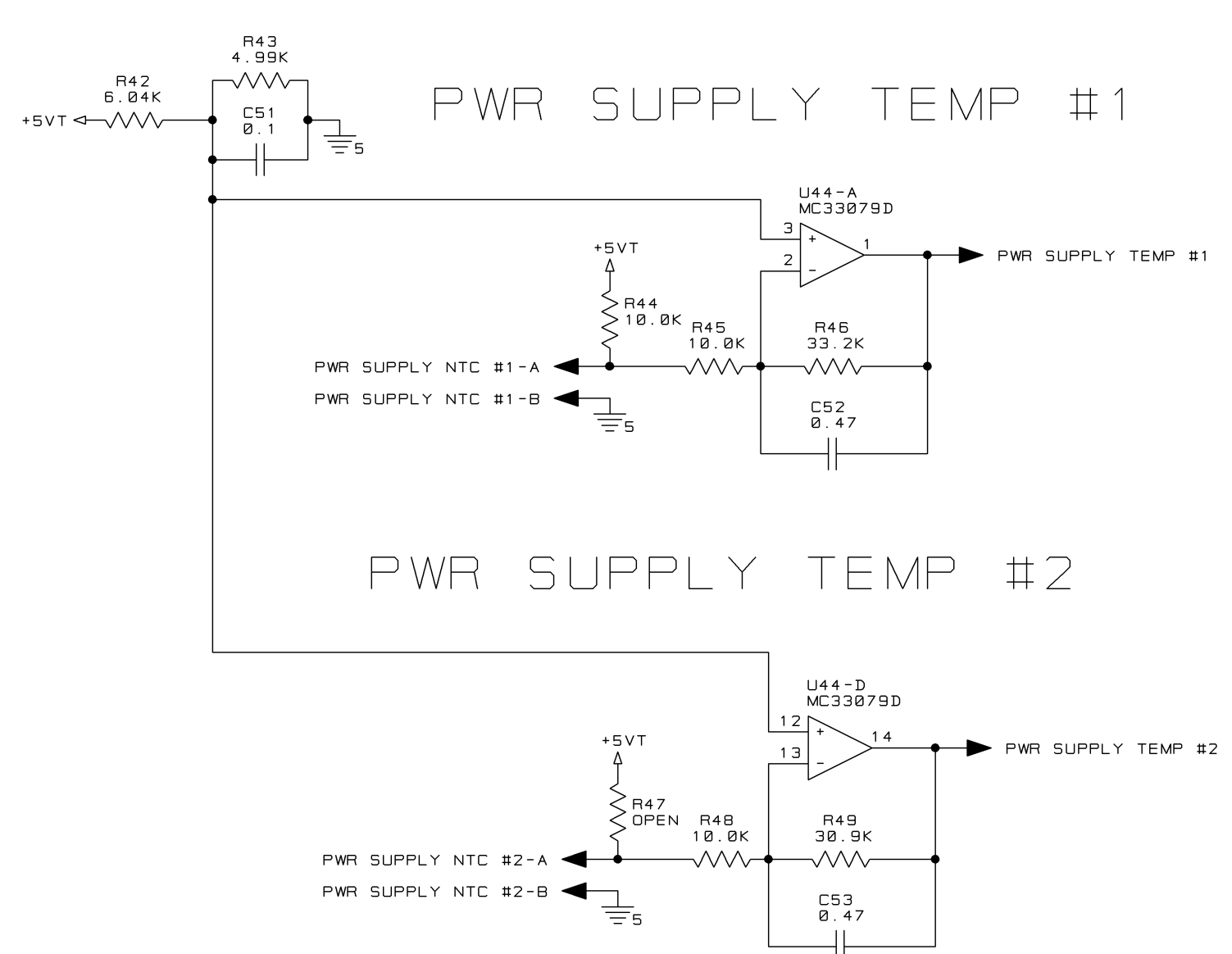
DWN	KLW	10-30-03		1718 W. MISHAWAKA RD. ELKHART IN. 46517 PHONE 574-284-0000 WWW.CROWNAUDIO.COM
CM	DSV	11-12-03		
DISTRIBUTION	PE	JW	10-30-03	TITLE
FILENAME	134476-4_B.01.PCB			PWA, BCA MAIN CTS2000
TOLERANCE UNLESS OTHERWISE SPECIFIED	.00 ± .02" .000 ± .010" DRILLS ± .003"			SIZE DWG NO.
DO NOT SCALE DRAWING	SCALE NONE			134476-4
PROJ. NO. MD433DB			SHEET 1 OF 4	



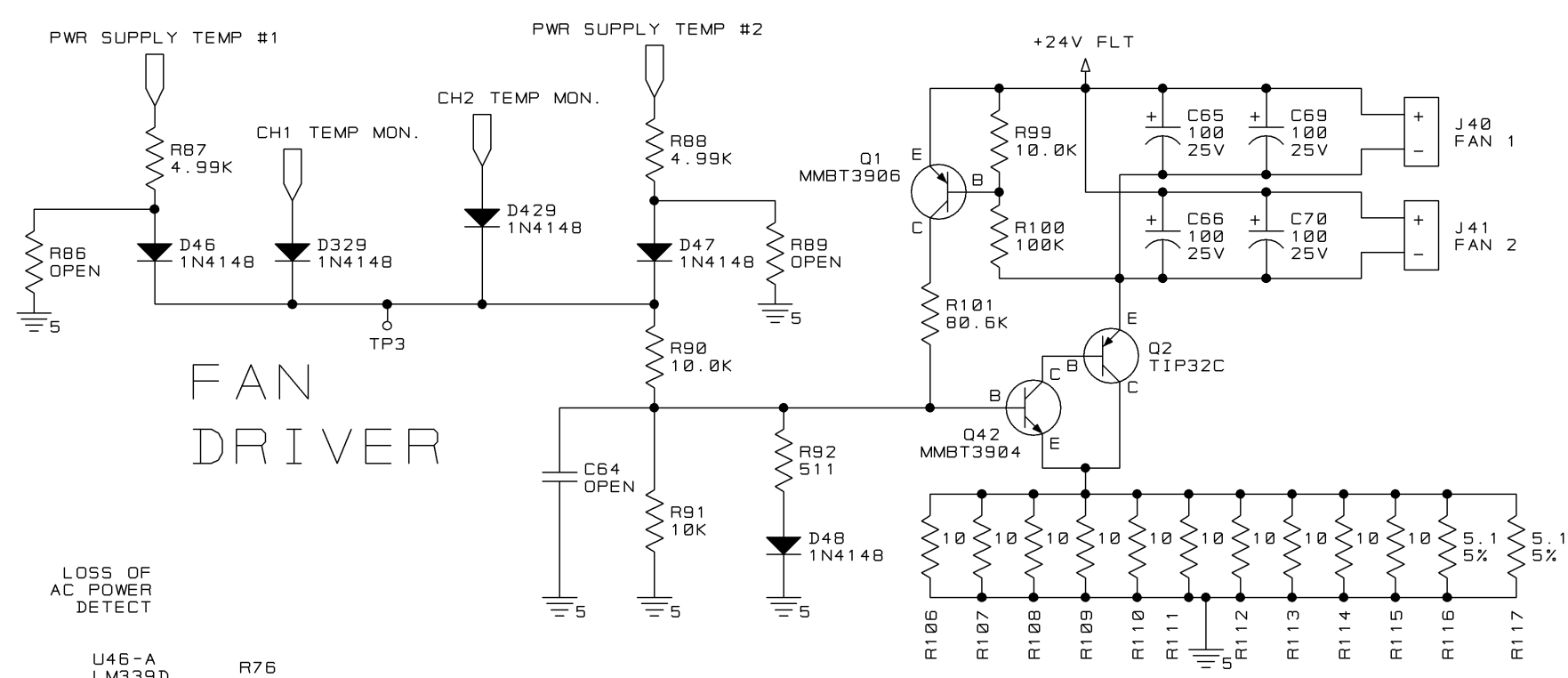
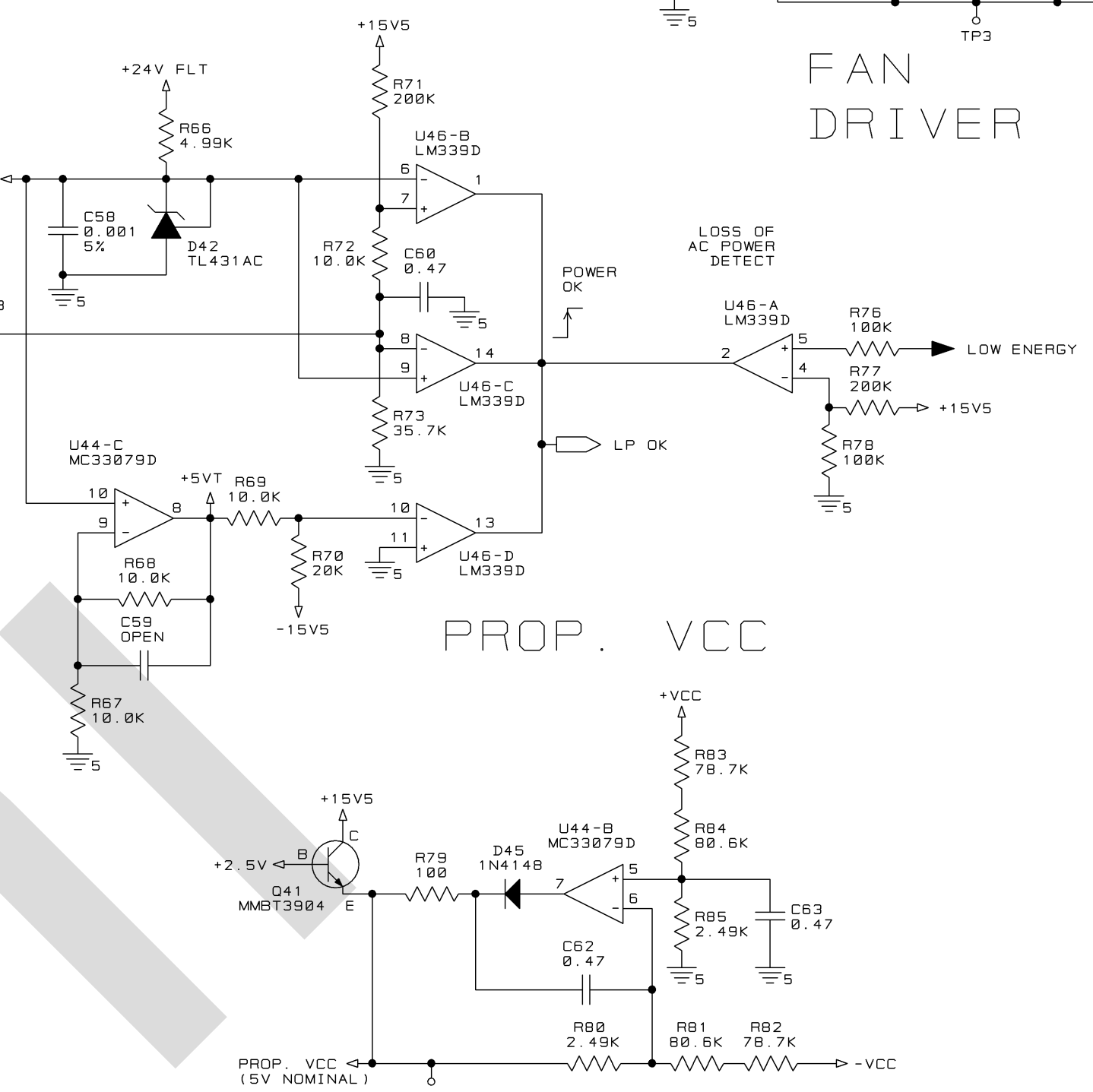
**GROUND LABELS**

VCC	+24V	PIP	SIGNAL	PIP	MAIN BD	SIGNAL
GND	GND	DGND	DGND	AGND	DIGITAL	GND
⏏	⏏	⏏	⏏	⏏	⏏	⏏

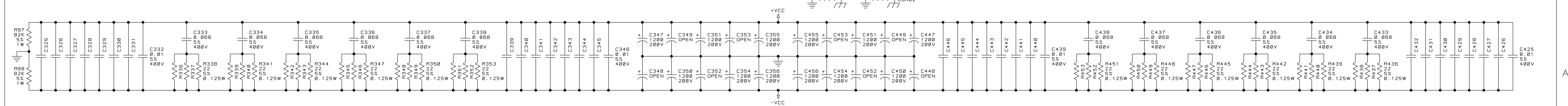
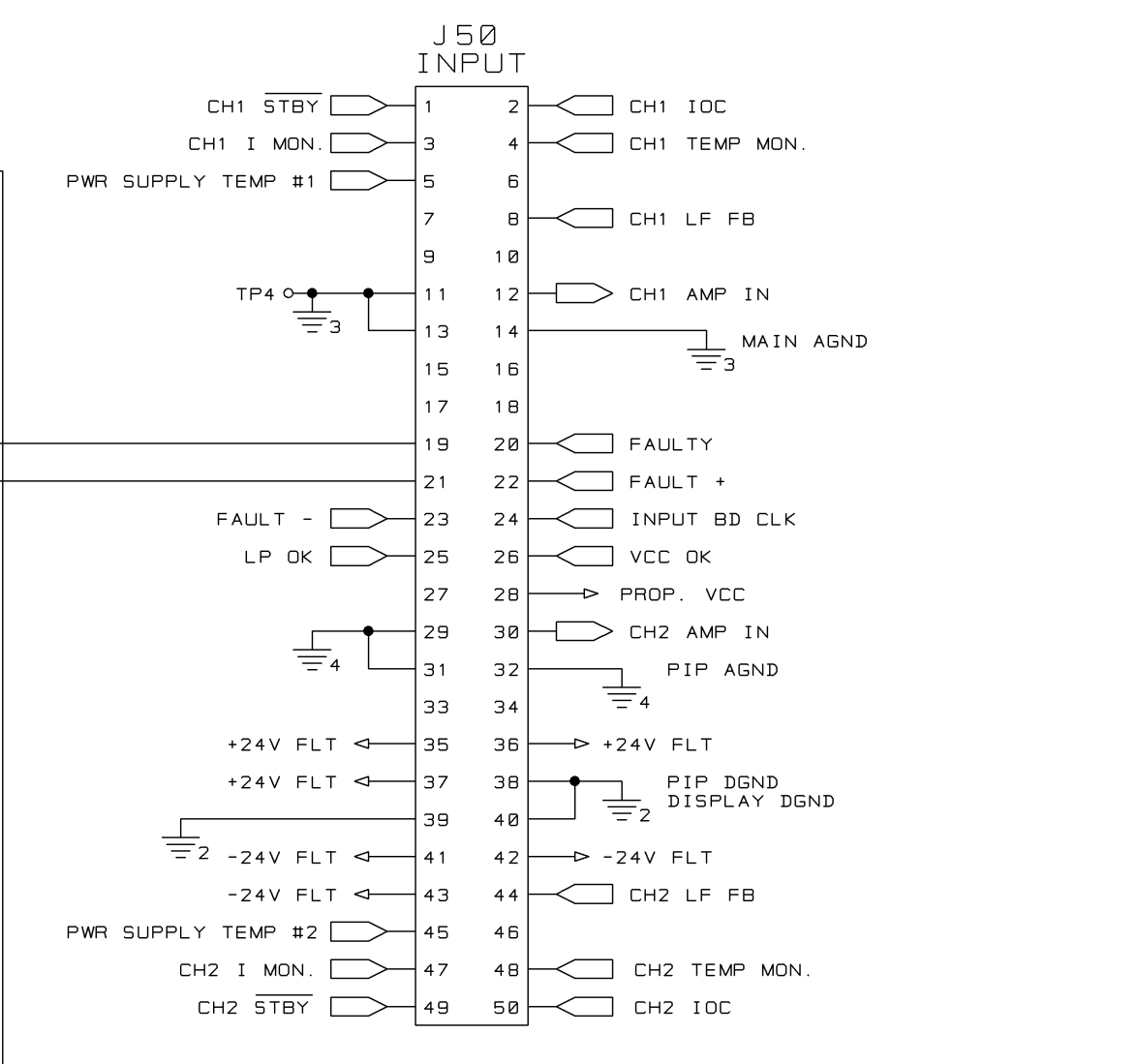
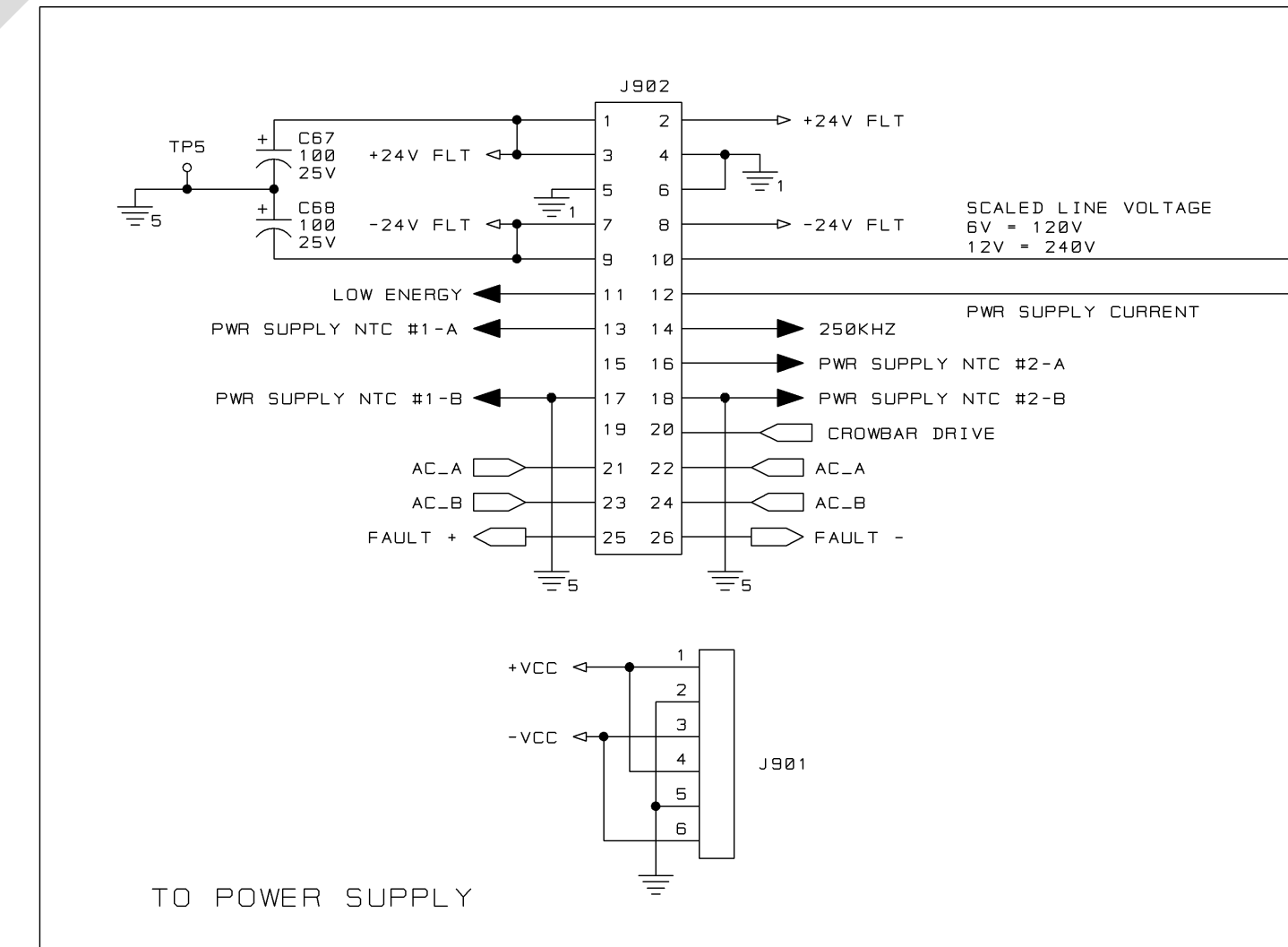
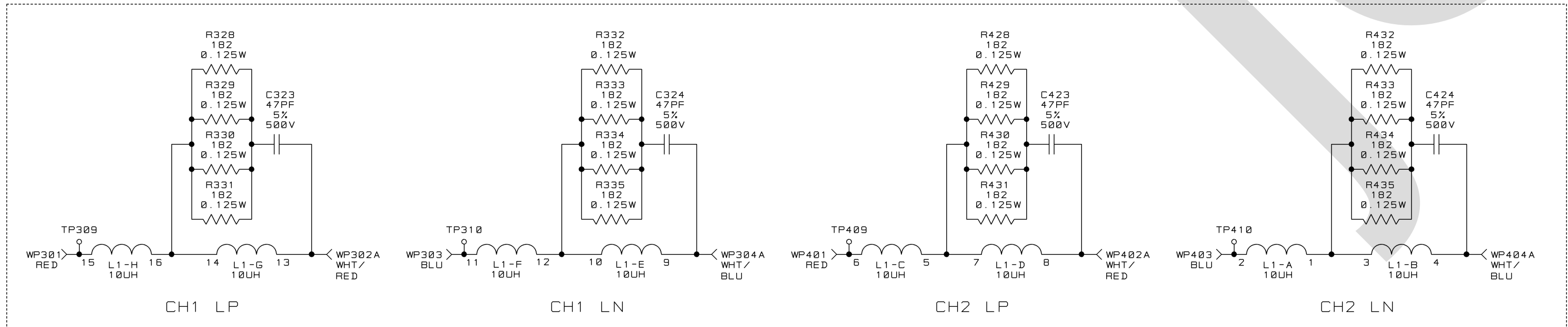
- NOTES:**
1. ALL RESISTORS ARE IN OHMS. 0.1W, 1% UNLESS OTHERWISE SPECIFIED.
  2. ALL CAPACITORS ARE IN MICROFARADS UNLESS OTHERWISE SPECIFIED.
  3. SEE 134476-4\_B.XLS FOR PWA DATA AND REVISION HISTORY.



HF DETECT  
+15 PWR OK  
LOSS OF AC



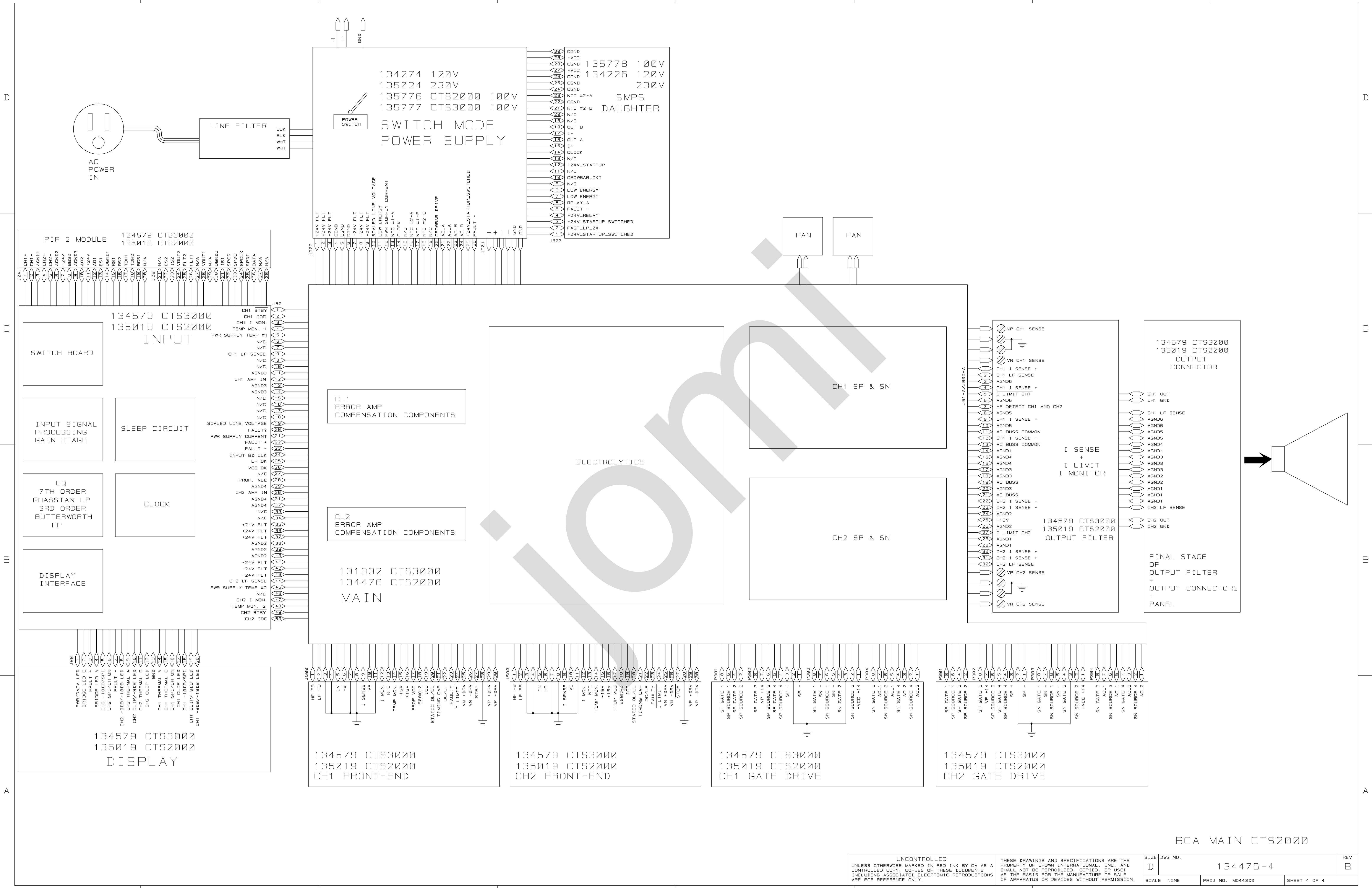
- ≡ VCC GND
- ≡1 ±24V GND
- ≡2 PIP DIGITAL GND
- ≡3 SIGNAL GND
- ≡4 PIP ANALOG GND
- ≡5 MAIN BRD DIGITAL GND
- ≡6 REDUNDANT SIGNAL GND



BCA MAIN CTS2000

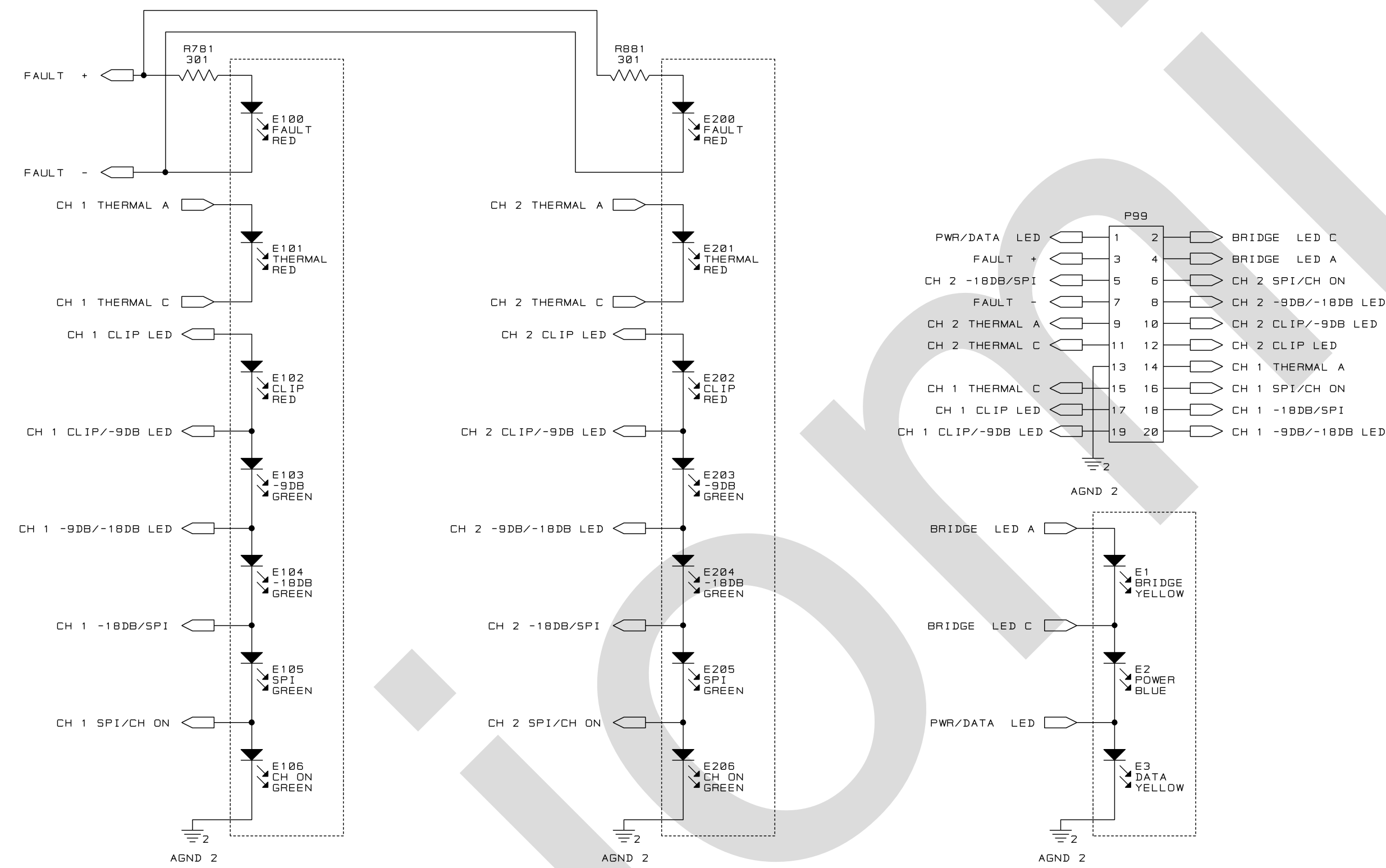
UNCONTROLLED UNLESS OTHERWISE MARKED IN RED INK BY CM AS A CONTROLLED COPY. COPIES OF THESE DOCUMENTS INCLUDING ASSOCIATED ELECTRONIC REPRODUCTIONS ARE FOR REFERENCE ONLY.	THESE DRAWINGS AND SPECIFICATIONS ARE THE PROPERTY OF CROWN INTERNATIONAL, INC. AND SHALL NOT BE REPRODUCED, COPIED, OR USED AS THE BASIS FOR THE MANUFACTURE OR SALE OF APPARATUS OR DEVICES WITHOUT PERMISSION.	SIZE D DWS NO. 134476-4	REV B
SCALE NONE	PROJ NO. MD44300	SHEET 3 OF 4	





BCA MAIN CTS2000

UNCONTROLLED UNLESS OTHERWISE MARKED IN RED INK BY CM AS A CONTROLLED COPY. COPIES OF THESE DOCUMENTS INCLUDING ASSOCIATED ELECTRONIC REPRODUCTIONS ARE FOR REFERENCE ONLY.		THESE DRAWINGS AND SPECIFICATIONS ARE THE PROPERTY OF CROWN INTERNATIONAL, INC. AND SHALL NOT BE REPRODUCED, COPIED, OR USED AS THE BASIS FOR THE MANUFACTURE OR SALE OF APPARATUS OR DEVICES WITHOUT PERMISSION.		SIZE D	DWG NO. 134476-4	REV B
SCALE NONE	PROJ NO. MD44300	SHEET 4 OF 4				



- NOTES:
1. ALL RESISTORS ARE IN OHMS, 1/10W, 1%. UNLESS OTHERWISE SPECIFIED.
  2. ALL CAPACITORS ARE IN MICROFARADS. UNLESS OTHERWISE SPECIFIED.
  3. SEE 134605-2\_A.XLS FOR PWA DATA AND REVISION HISTORY.