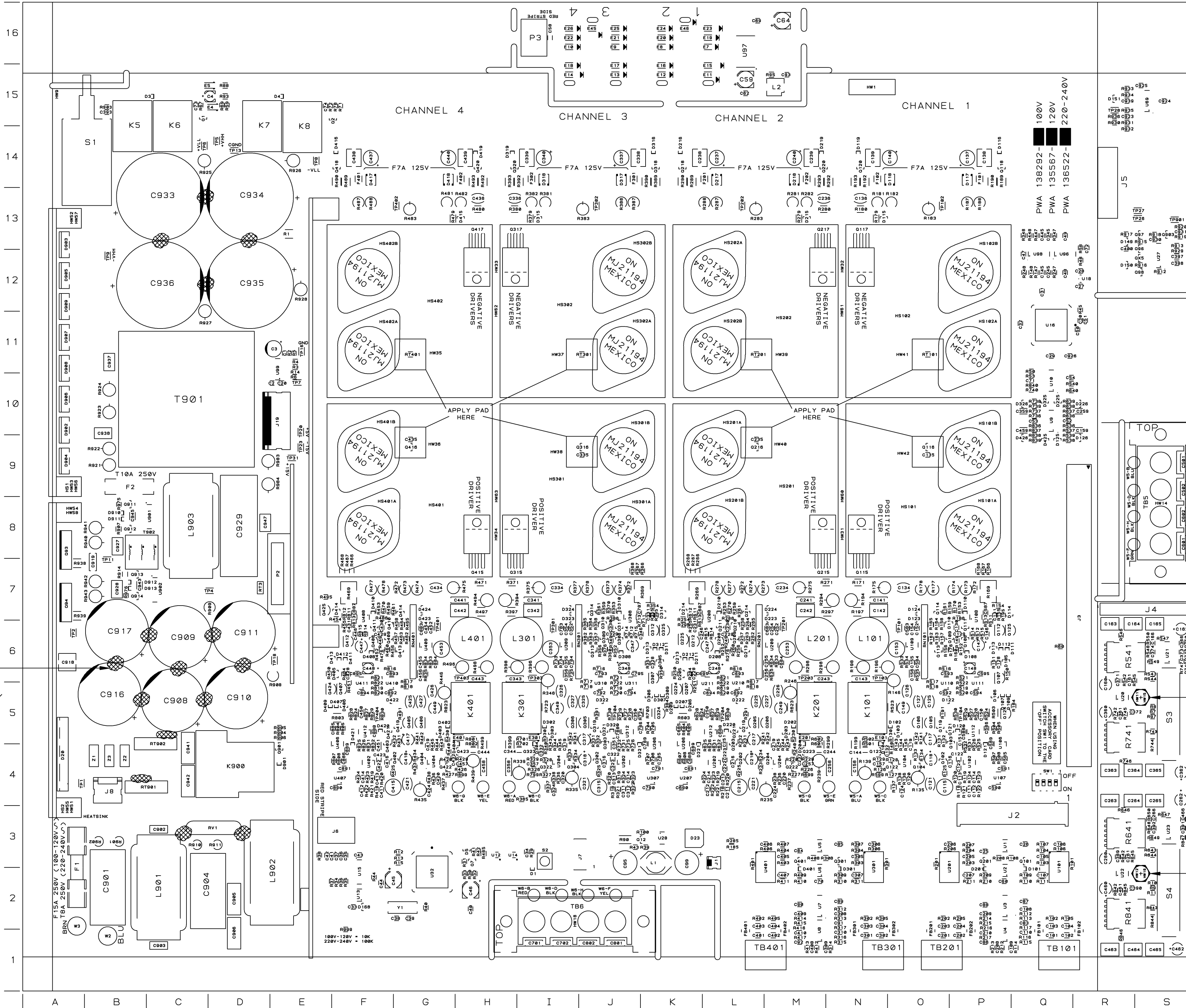


COMPONENT MAP
TOP SIDE

REVISION HISTORY					
E. C. N.	ZONE	REV	DESCRIPTION	DATE	APPROVED
		A	SEE 137172-9_A.XLS FOR COMPONENT DATA AND REVISION HISTORY.	05-22-06	KLW KZ SM
33874		B	SEE 137172-9_B.XLS FOR COMPONENT DATA AND REVISION HISTORY.	03-28-07	KLW DSV CC
34706		C	SEE 137172-9_C.XLS FOR COMPONENT DATA AND REVISION HISTORY.	7-18-07	JFL DSV BWP
35477		D	SEE 137172-9_D.XLS FOR COMPONENT DATA AND REVISION HISTORY.	01/07/08	TLM DSV TJS



HOT MELT GLUE IS PLACES SHOWN FOR REFERENCE ONLY

HEX STANDOFF A12095-15 TORQUE 13-15 IN-LBS

DWN	KLW	05-22-06	CROWN H A Harman International Company 1718 WEST MISHAWAKA RD. ELKHART IN. 46517 PHONE 574-294-8000 WWW.CROWNAUDIO.COM
CM	KZ	08-24-06	
PE	SM	05-22-06	
DISTRIBUTION			TITLE
K			PWA, CTS4200A BASE
FILENAME			137172-9_D_01.PCB
TOLERANCE UNLESS OTHERWISE SPECIFIED			.00 = ±.02" .000 = ±.010" DRILLS = ±.003"
DO NOT SCALE DRAWING			SIZE DWG NO. 137172-9 SCALE FULL PROJ NO. MD44600 SHEET 1 OF 12

UNCONTROLLED UNLESS OTHERWISE MARKED IN RED INK BY CM AS A CONTROLLED COPY. COPIES OF THESE DOCUMENTS INCLUDING ASSOCIATED ELECTRONIC REPRODUCTIONS ARE FOR REFERENCE ONLY. THESE DRAWINGS AND SPECIFICATIONS ARE THE PROPERTY OF CROWN INTERNATIONAL, INC. AND SHALL NOT BE REPRODUCED, COPIED, OR USED AS THE BASIS FOR THE MANUFACTURE OR SALE OF APPARATUS OR DEVICES WITHOUT PERMISSION.

D

C

B

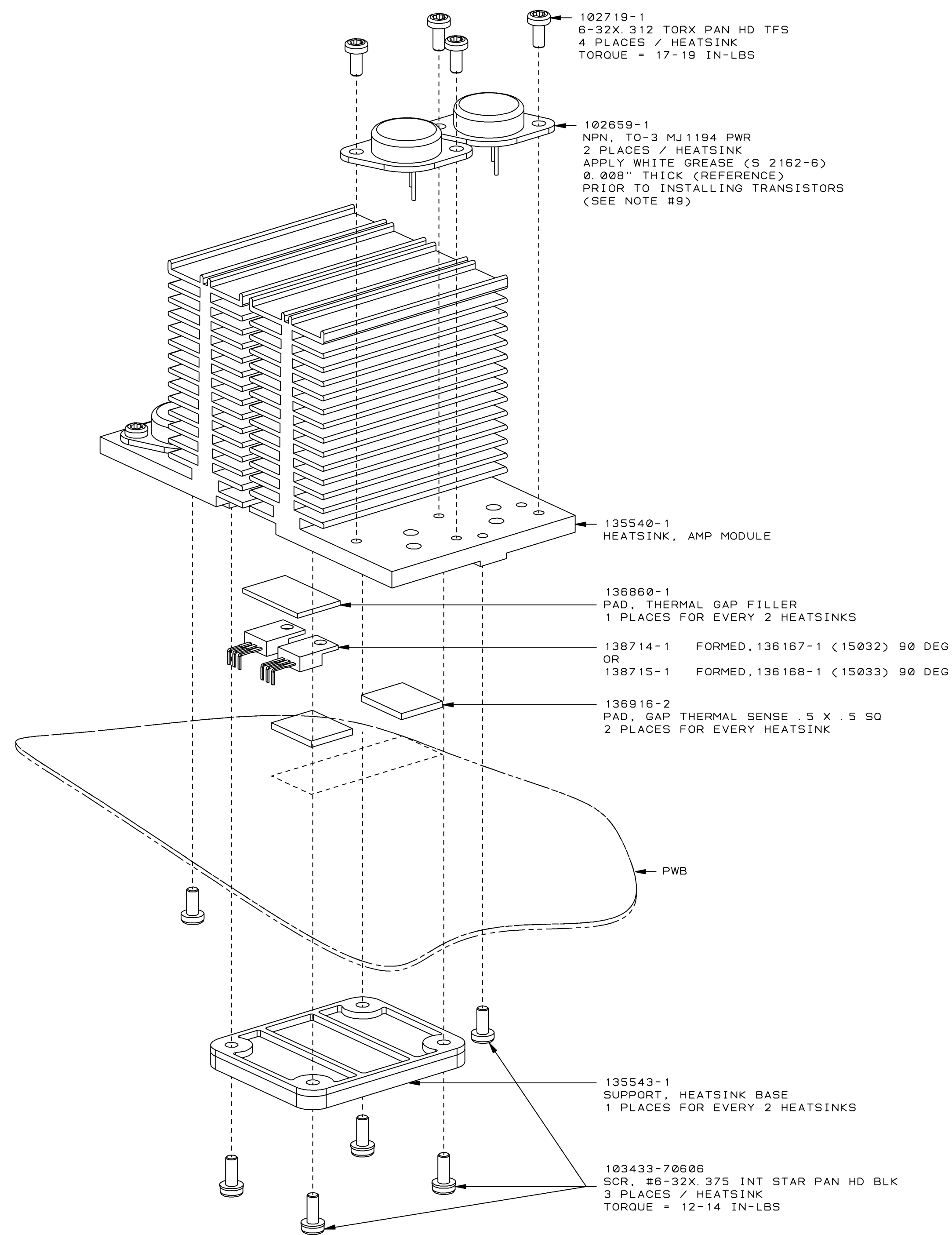
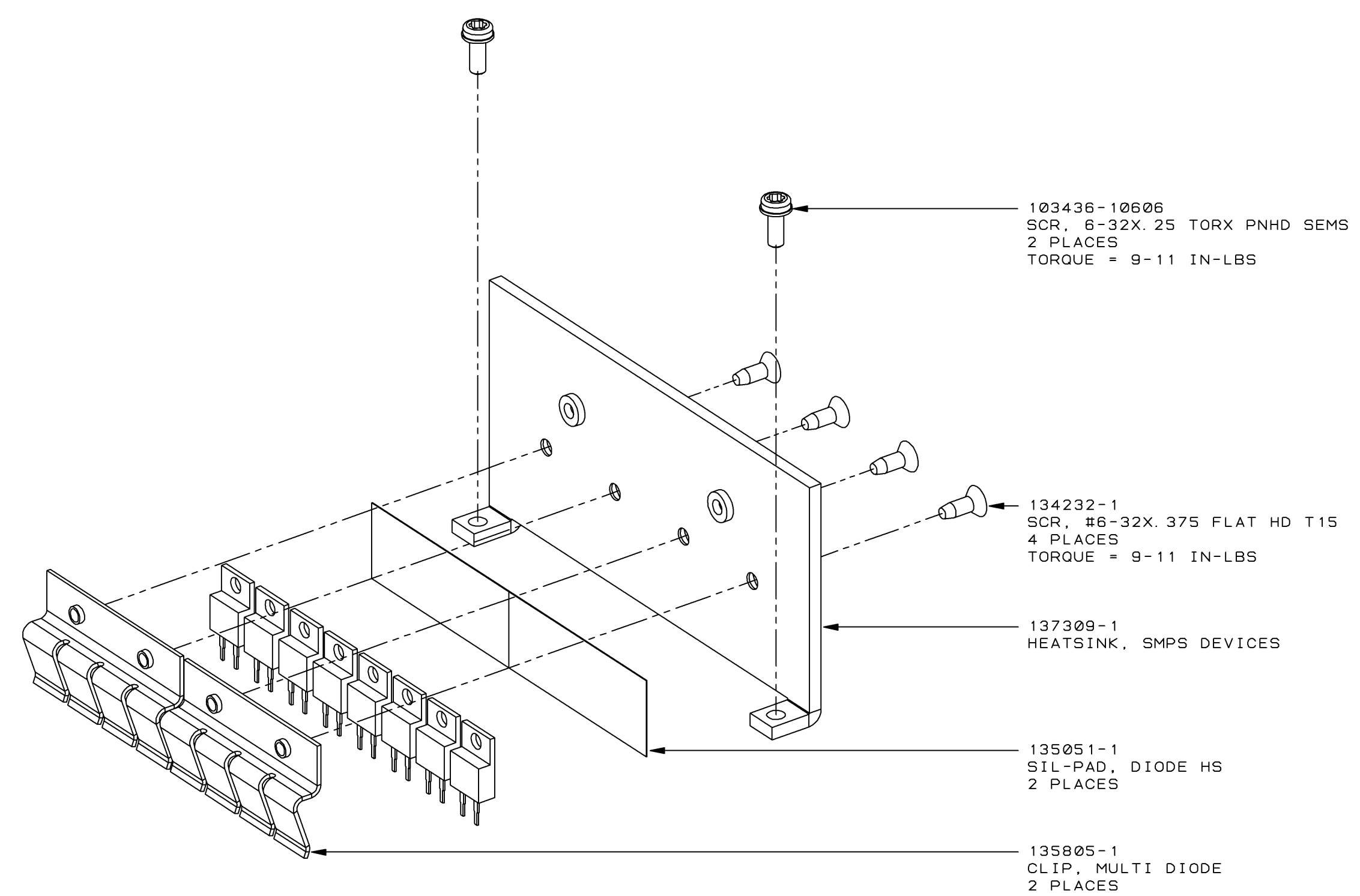
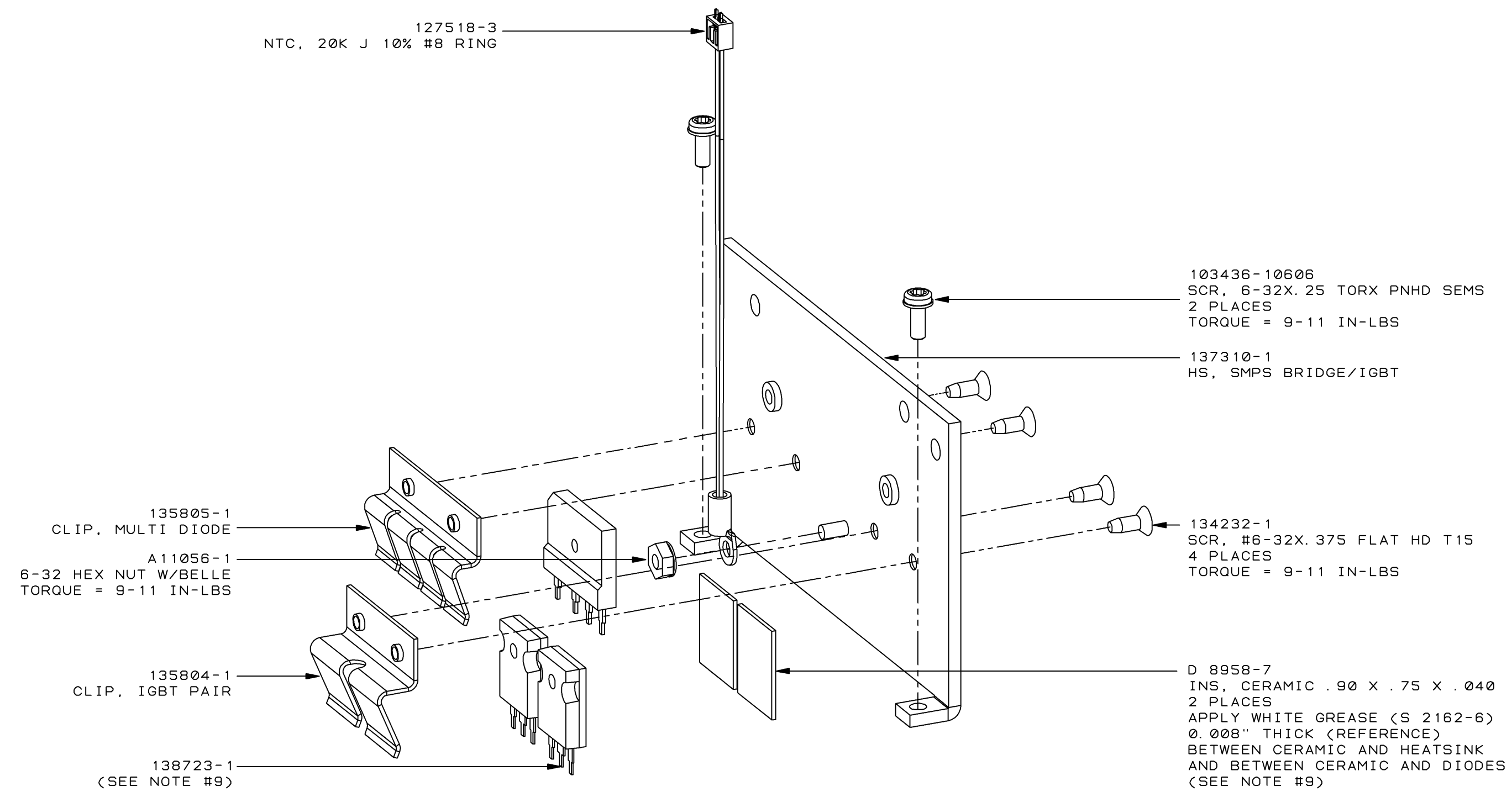
A

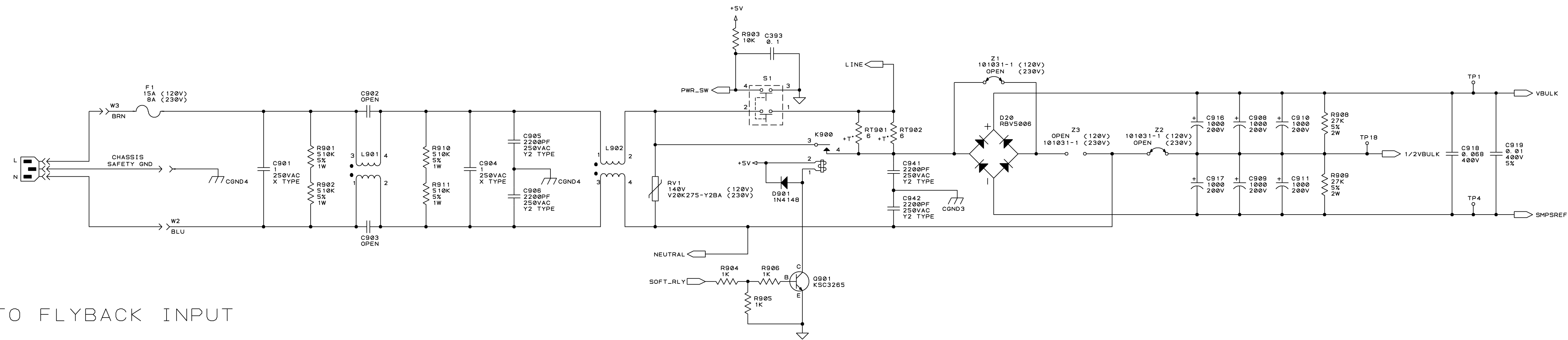
D

C

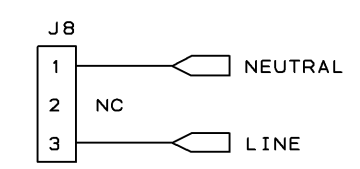
B

A

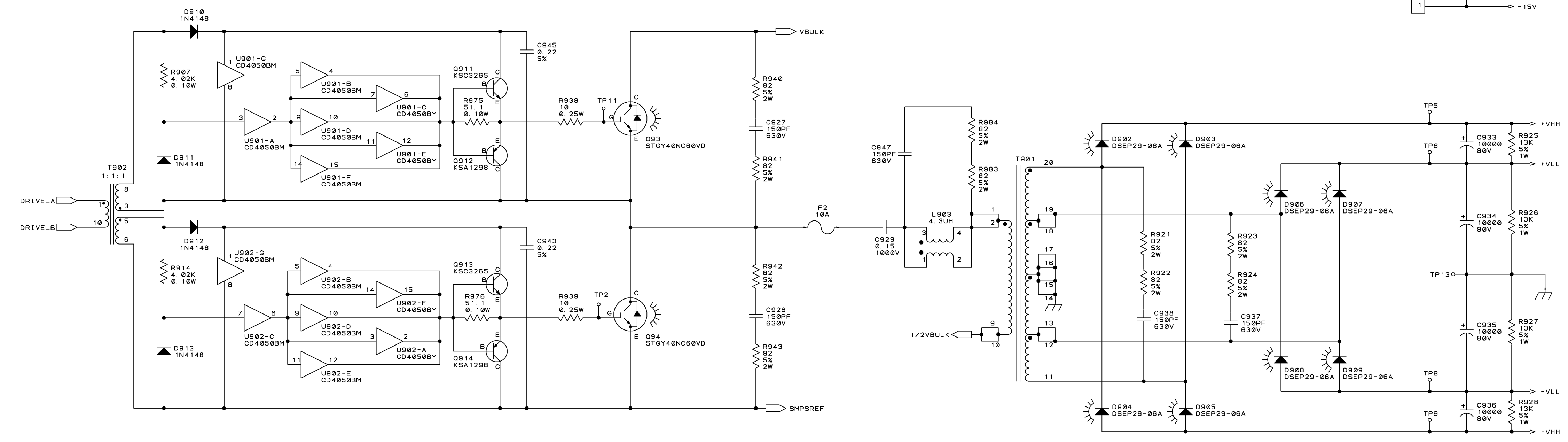
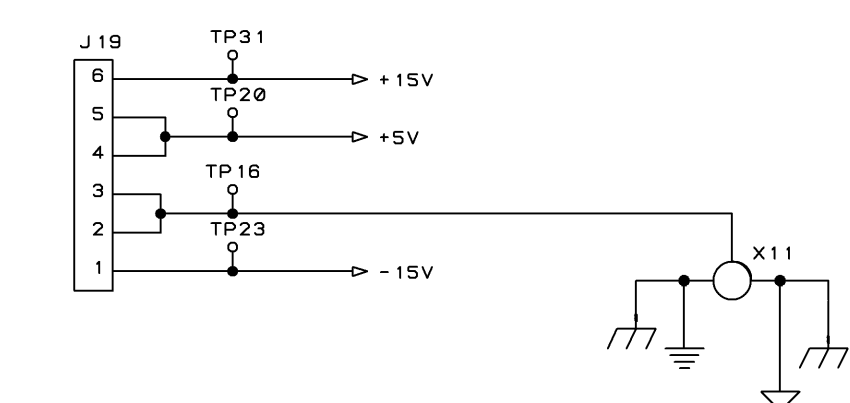




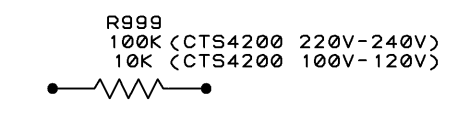
TO FLYBACK INPUT



FROM FLYBACK OUTPUT

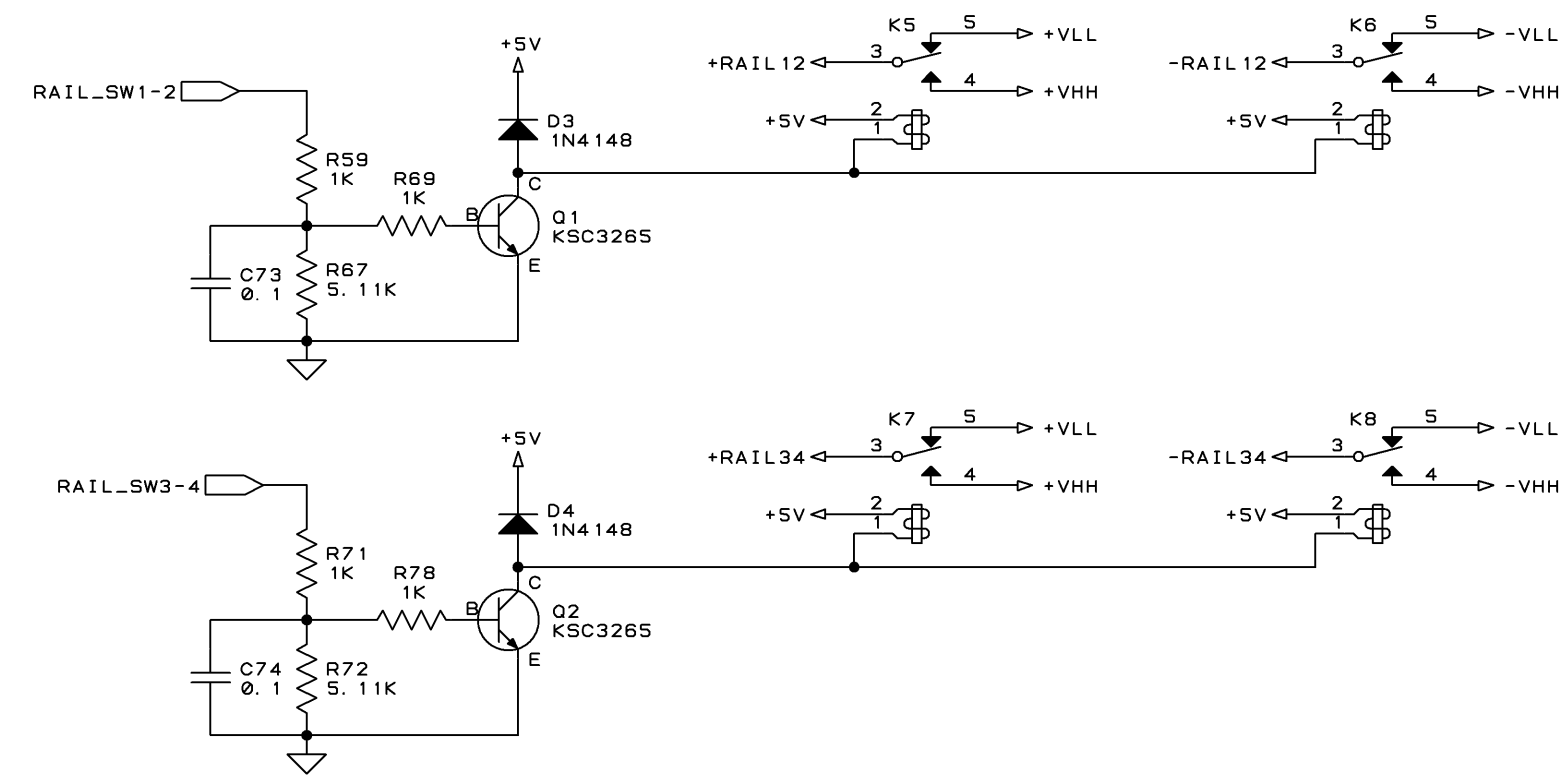


- PRIMARY ±200V
- PRIMARY +200V
- PRIMARY -200V
- PRIMARY 0V
- HOT/NEUTRAL
- SECONDARY ±125V
- SECONDARY +125V
- SECONDARY -125V
- SECONDARY ±60V
- SECONDARY +60V
- SECONDARY -60V
- SECONDARY ±26V

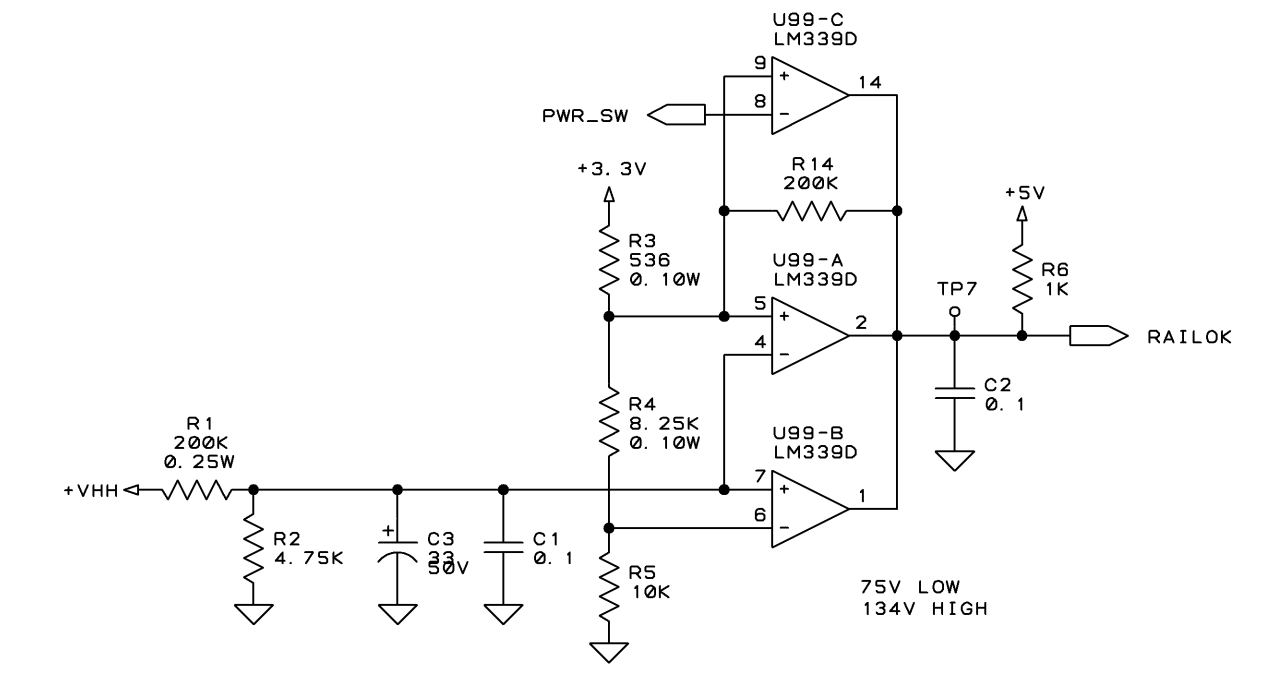


- NOTES:
- ALL RESISTORS ARE IN OHMS. 0.063W, 1% UNLESS OTHERWISE SPECIFIED.
 - ALL CAPACITORS ARE IN MICROFARADS UNLESS OTHERWISE SPECIFIED.
 - PWR_GOOD = 0 SHUTDOWN SUPPLY VIA SYSTEM CONTROLLER
 - ITEMS WITH THIS SYMBOL: REQUIRE HEATSINKING.
 - SEE 137172-9_D.XLS FOR PWA DATA AND REVISION HISTORY.

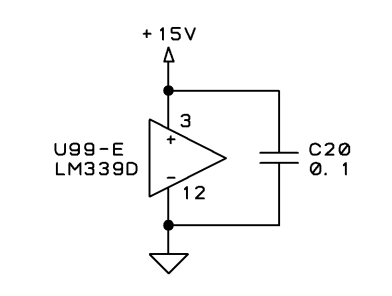
RAIL SELECT CIRCUITRY



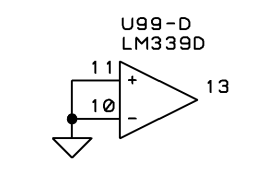
RAIL DETECT



BYPASS CAPACITORS

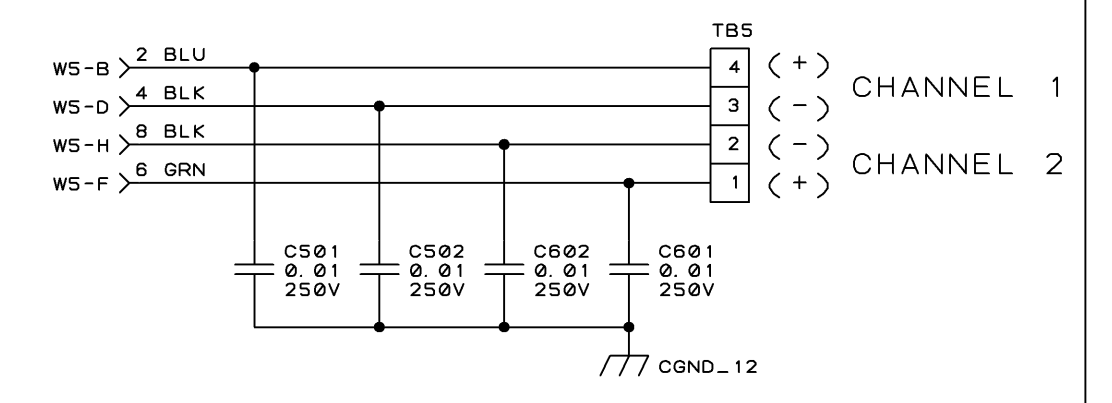


UNUSED GATES

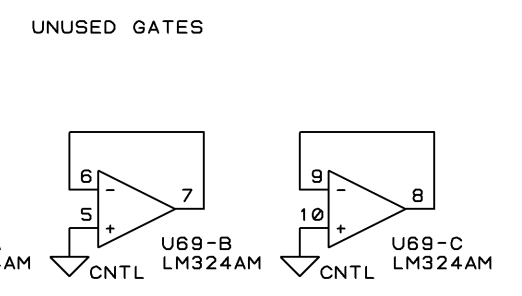
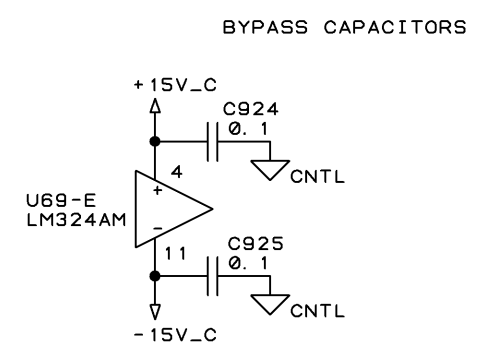
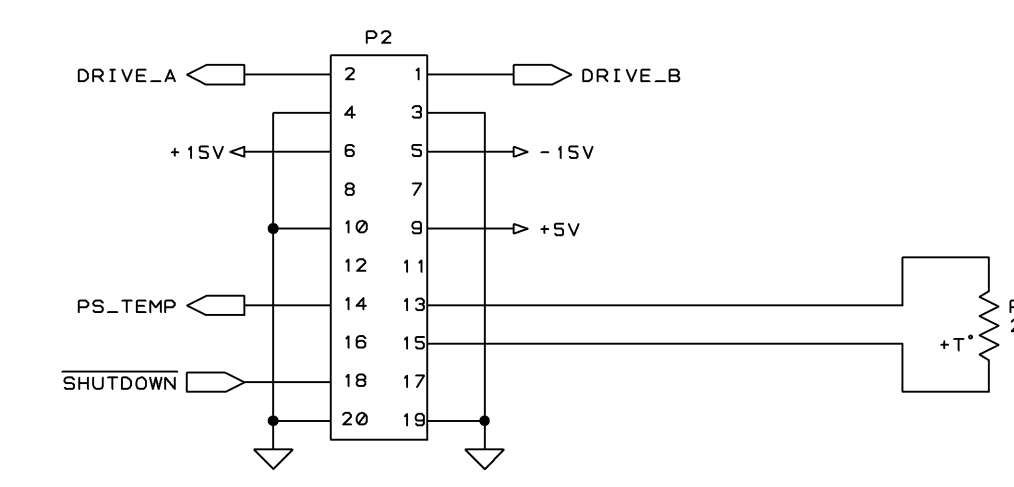
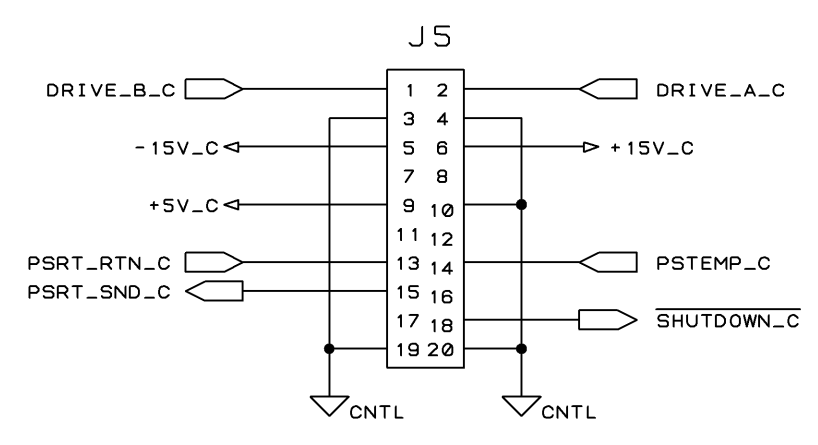
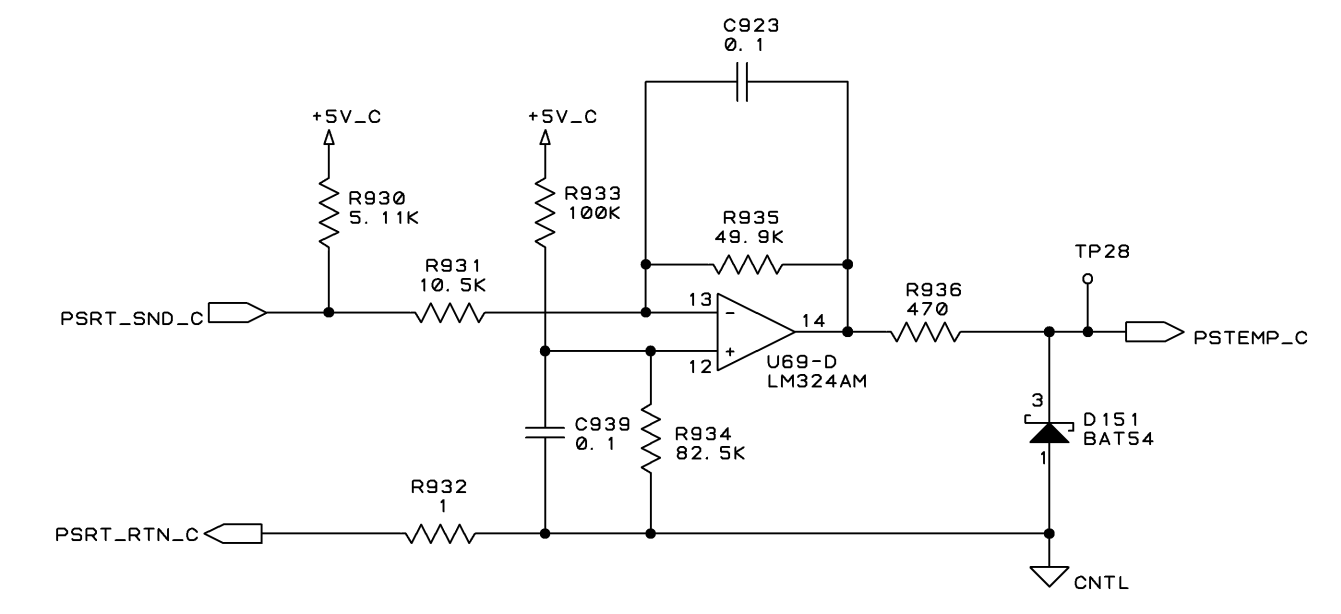
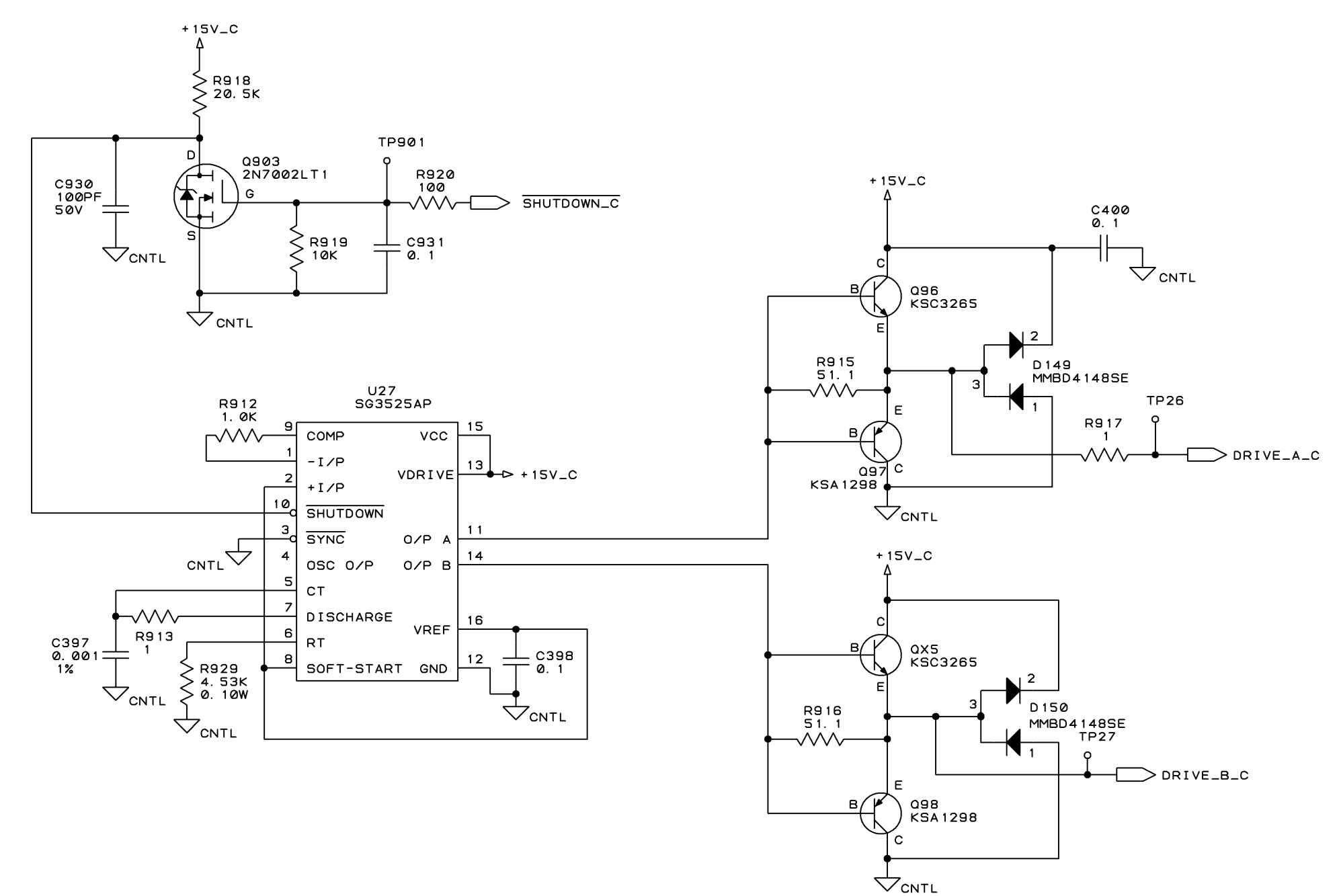
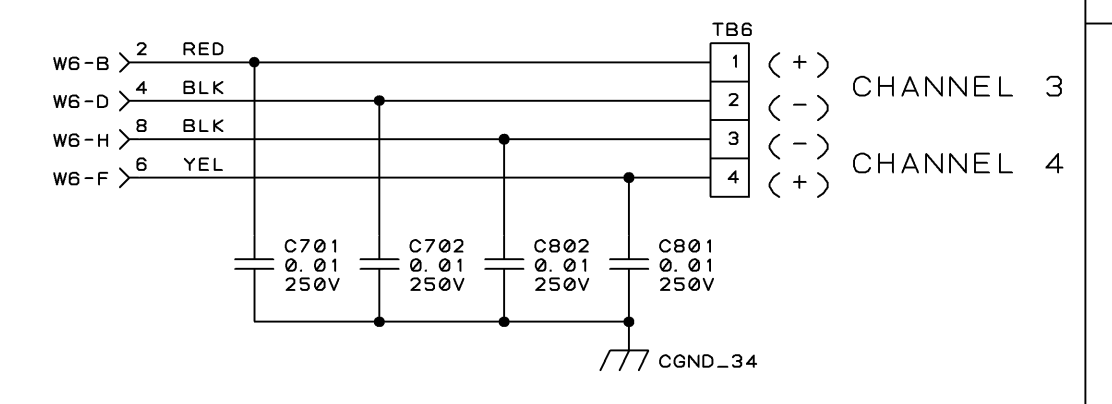


- PRIMARY ±200V
- PRIMARY +200V
- PRIMARY -200V
- PRIMARY 0V
- HOT/NEUTRAL
- SECONDARY ±125V
- SECONDARY +125V
- SECONDARY -125V
- SECONDARY ±60V
- SECONDARY +60V
- SECONDARY -60V
- SECONDARY ±26V

CHANNEL 1 AND 2 OUTPUT PWA

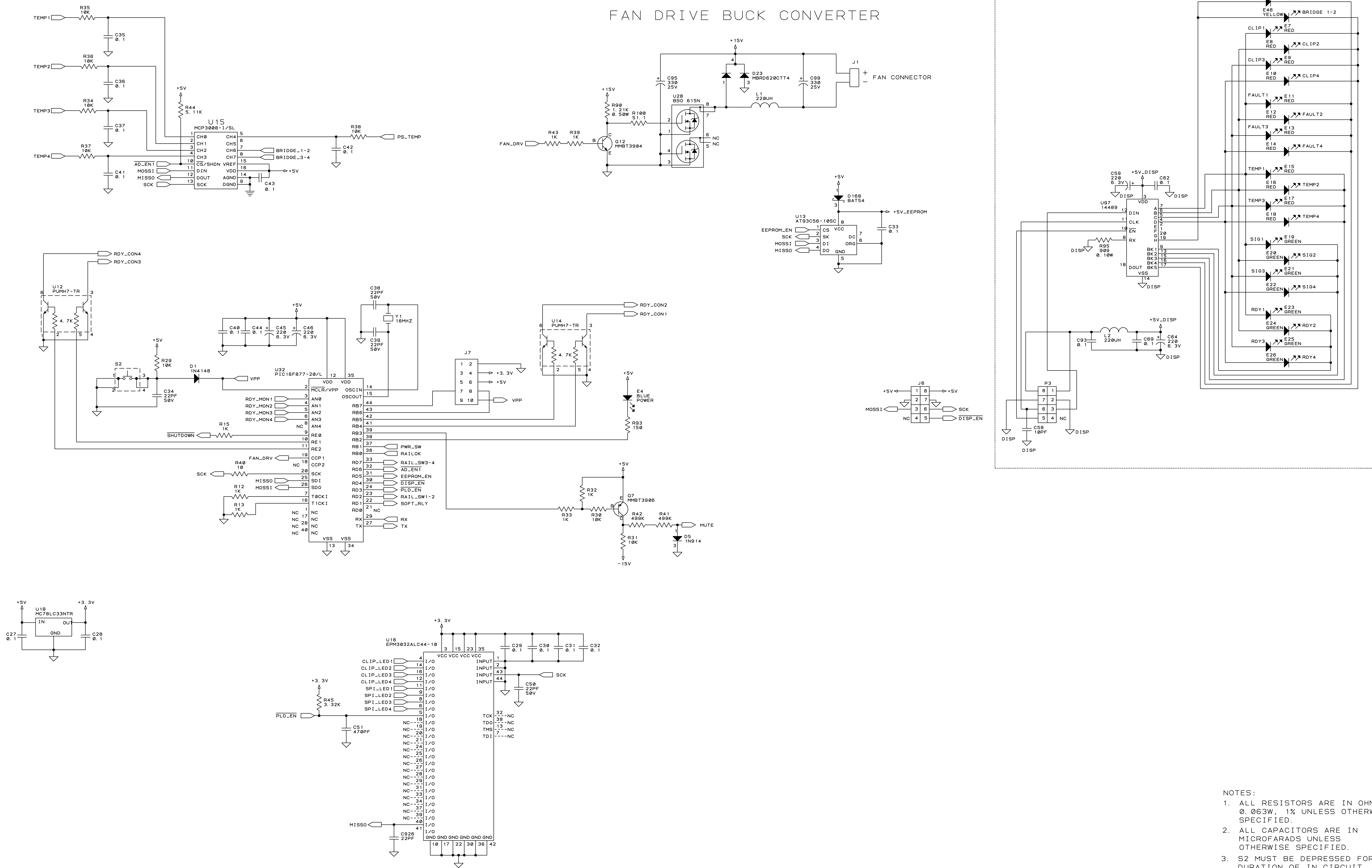


CHANNEL 3 AND 4 OUTPUT PWA



DISPLAY BOARD SECTION

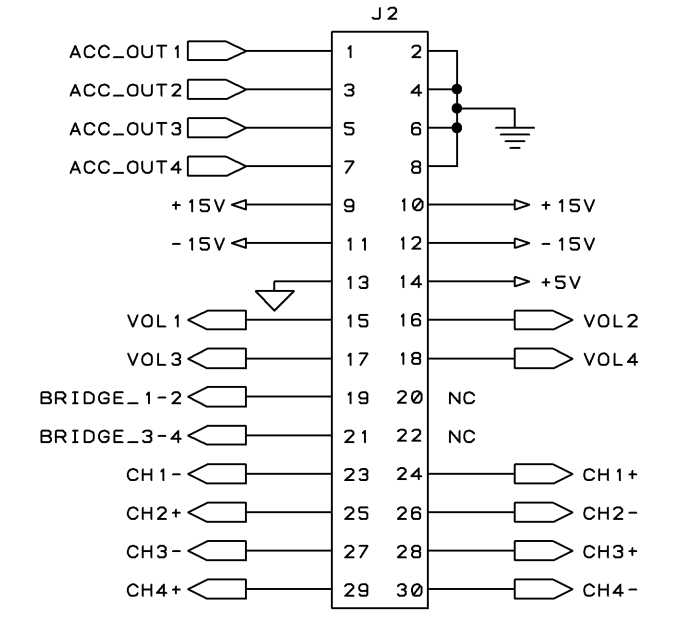
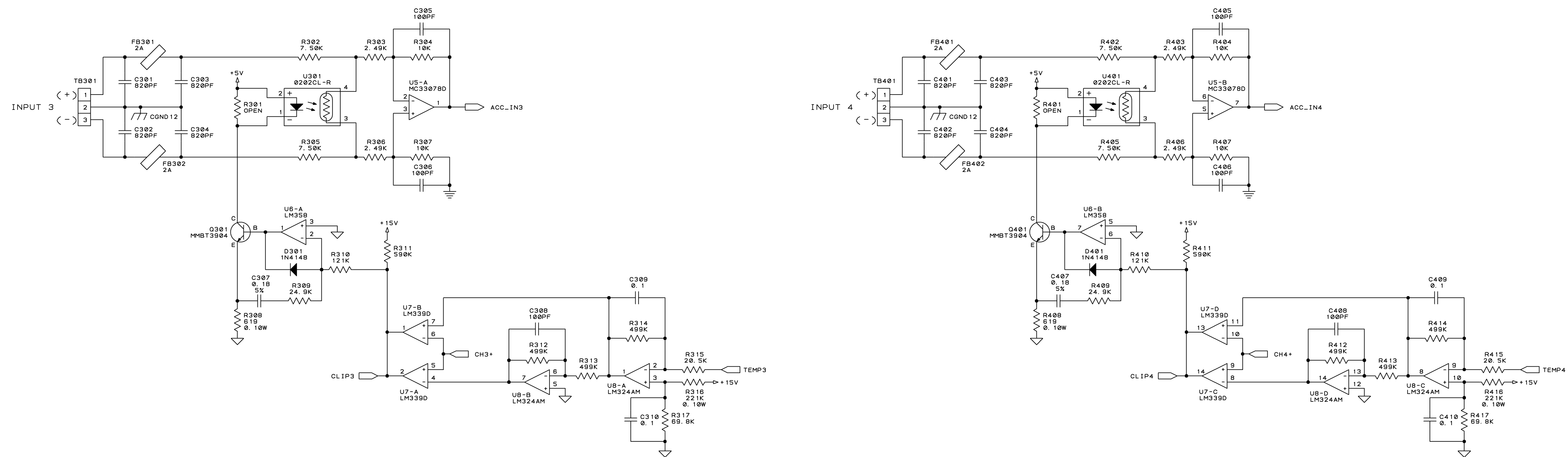
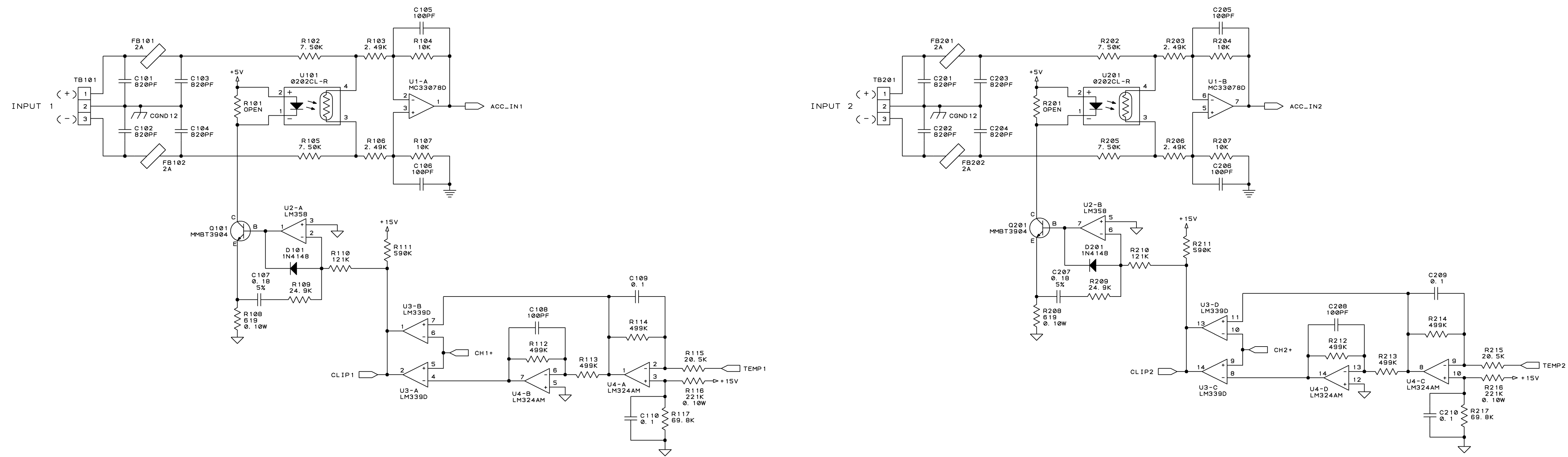
FAN DRIVE BUCK CONVERTER



- NOTES:
1. ALL RESISTORS ARE IN OHMS. 0.063W, 1% UNLESS OTHERWISE SPECIFIED.
 2. ALL CAPACITORS ARE IN MICROFARADS UNLESS OTHERWISE SPECIFIED.
 3. S2 MUST BE DEPRESSED FOR DURATION OF IN CIRCUIT PROGRAMMING OF U16.

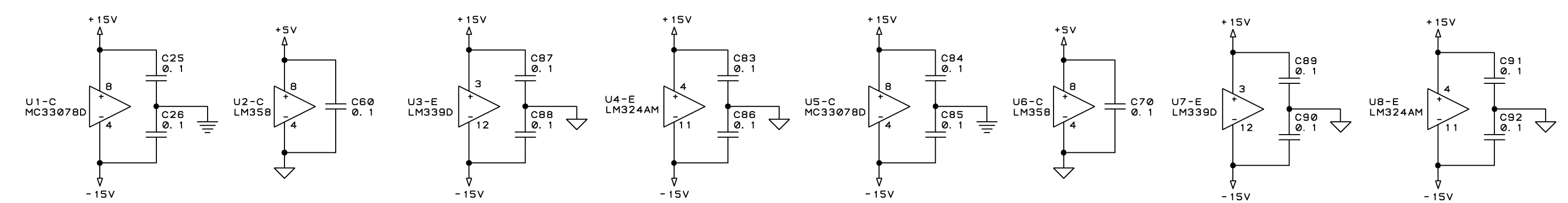
UNCONTROLLED		THESE DRAWINGS AND SPECIFICATIONS ARE THE PROPERTY OF CROWN INTERNATIONAL, INC. AND SHALL NOT BE REPRODUCED, COPIED, OR USED AS THE BASIS FOR THE MANUFACTURE OR SALE OF APPARATUS OR DEVICES WITHOUT PERMISSION.		SIZE	DWG NO.	REV
D					137 172-9	D
SCALE	NONE	PROJ NO.	MD4460	SHEET 5 OF 12		

AUDIO INPUT SECTION



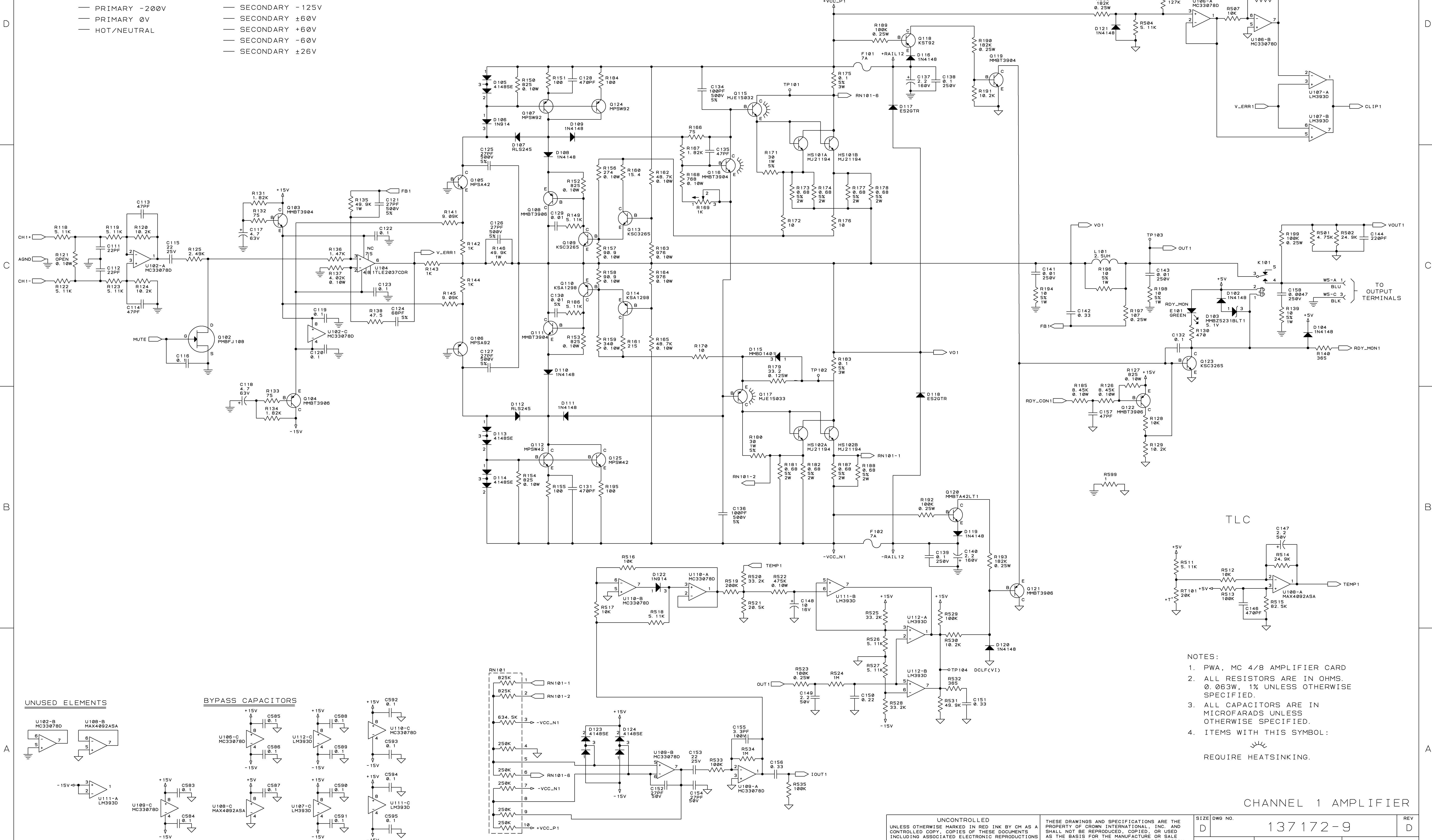
BYPASS CAPACITORS

X6 CHASSIS GROUND FOR CHANNELS 1 AND 2 AND CHANNELS 3 AND 4
CGND 12

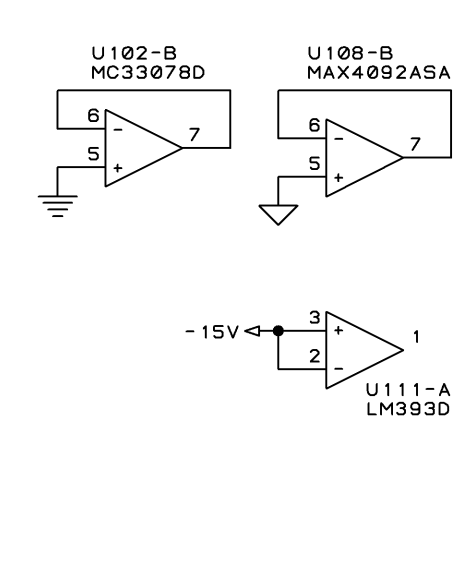


- PRIMARY ±200V
- PRIMARY +200V
- PRIMARY -200V
- PRIMARY 0V
- HOT/NEUTRAL
- SECONDARY ±125V
- SECONDARY +125V
- SECONDARY -125V
- SECONDARY ±60V
- SECONDARY +60V
- SECONDARY -60V
- SECONDARY ±26V

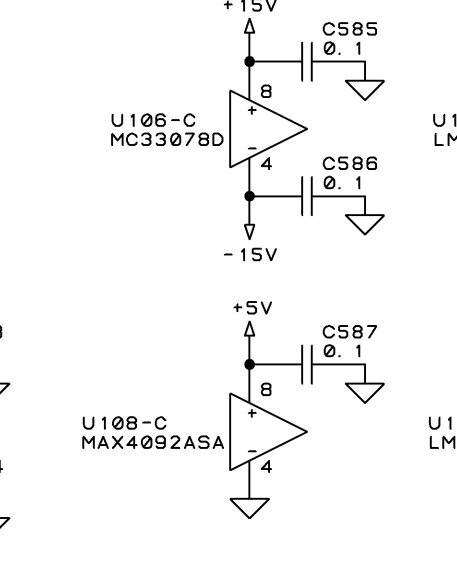
CLIP CONTROL



UNUSED ELEMENTS



BYPASS CAPACITORS



- NOTES:
1. PWA, MC 4/8 AMPLIFIER CARD
 2. ALL RESISTORS ARE IN OHMS. 0.063W, 1% UNLESS OTHERWISE SPECIFIED.
 3. ALL CAPACITORS ARE IN MICROFARADS UNLESS OTHERWISE SPECIFIED.
 4. ITEMS WITH THIS SYMBOL: REQUIRE HEATSINKING.

CHANNEL 1 AMPLIFIER

UNCONTROLLED UNLESS OTHERWISE MARKED IN RED INK BY CM AS A CONTROLLED COPY. COPIES OF THESE DOCUMENTS INCLUDING ASSOCIATED ELECTRONIC REPRODUCTIONS ARE FOR REFERENCE ONLY.		THESE DRAWINGS AND SPECIFICATIONS ARE THE PROPERTY OF CROWN INTERNATIONAL, INC. AND SHALL NOT BE REPRODUCED, COPIED, OR USED AS THE BASIS FOR THE MANUFACTURE OR SALE OF APPARATUS OR DEVICES WITHOUT PERMISSION.		SIZE D	DWG NO. 137172-9	REV D
SCALE	NONE	PROJ. NO.	MD4460	SHEET 8 OF 12		

- PRIMARY ±200V
- PRIMARY +200V
- PRIMARY -200V
- PRIMARY 0V
- HOT/NEUTRAL
- SECONDARY ±125V
- SECONDARY +125V
- SECONDARY -125V
- SECONDARY ±60V
- SECONDARY +60V
- SECONDARY -60V
- SECONDARY ±26V

CLIP CONTROL

D

D

C

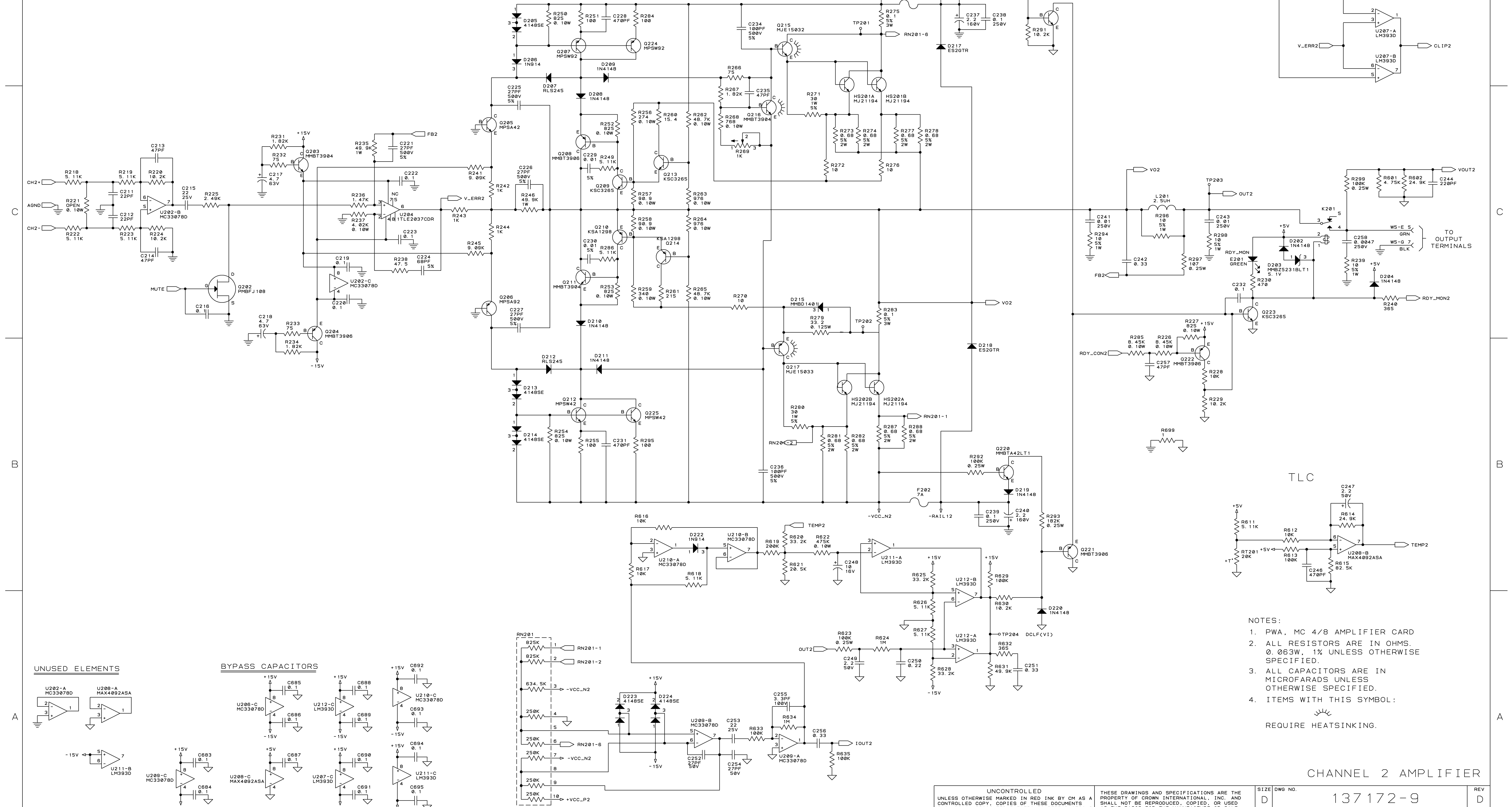
C

B

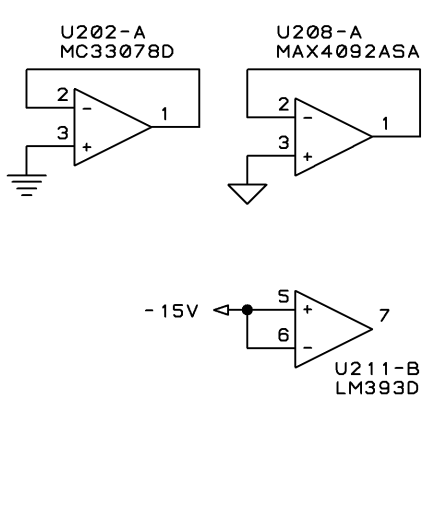
B

A

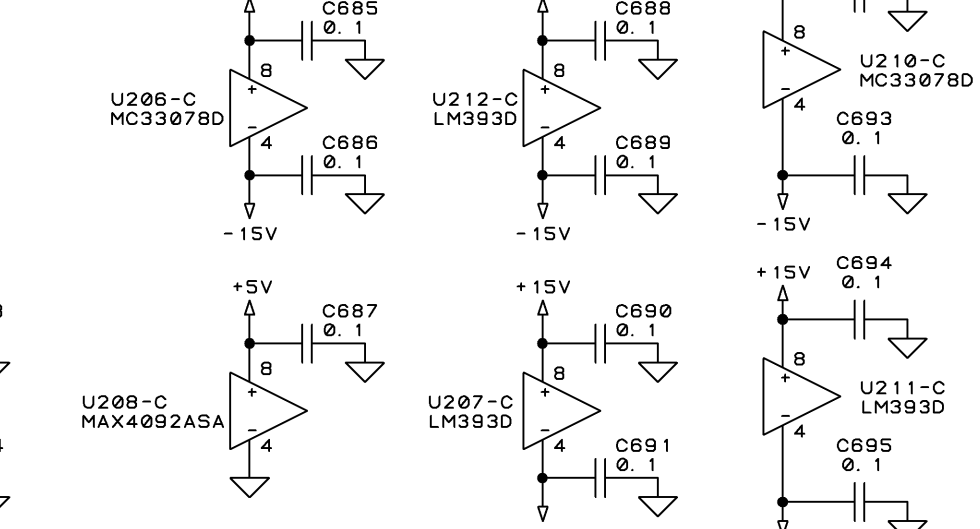
A



UNUSED ELEMENTS



BYPASS CAPACITORS



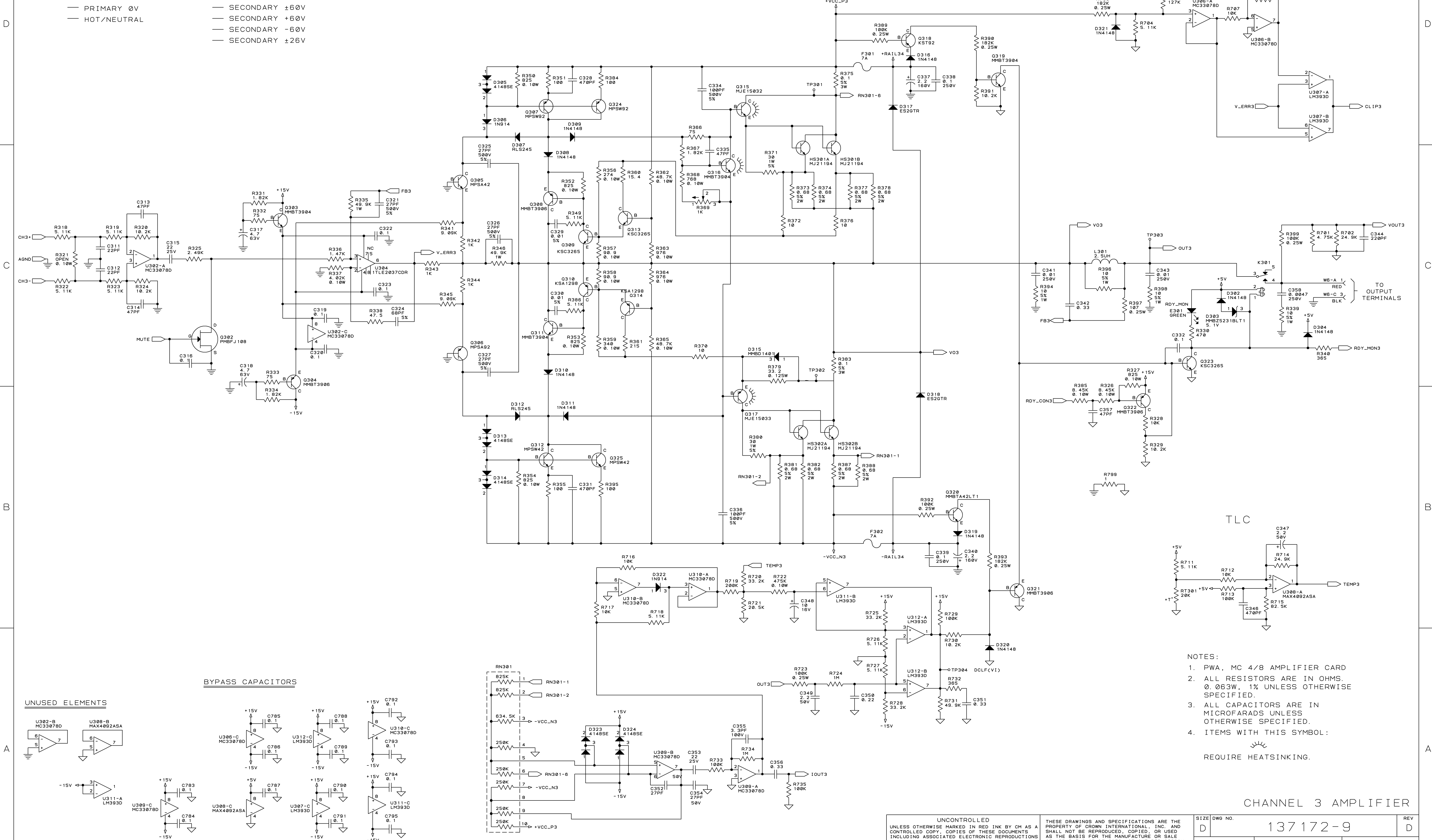
- NOTES:
1. PWA, MC 4/8 AMPLIFIER CARD
 2. ALL RESISTORS ARE IN OHMS. 0.063W, 1% UNLESS OTHERWISE SPECIFIED.
 3. ALL CAPACITORS ARE IN MICROFARADS UNLESS OTHERWISE SPECIFIED.
 4. ITEMS WITH THIS SYMBOL: REQUIRE HEATSINKING.

CHANNEL 2 AMPLIFIER

UNCONTROLLED UNLESS OTHERWISE MARKED IN RED INK BY CM AS A CONTROLLED COPY, COPIES OF THESE DOCUMENTS INCLUDING ASSOCIATED ELECTRONIC REPRODUCTIONS ARE FOR REFERENCE ONLY.		THESE DRAWINGS AND SPECIFICATIONS ARE THE PROPERTY OF CROWN INTERNATIONAL, INC. AND SHALL NOT BE REPRODUCED, COPIED, OR USED AS THE BASIS FOR THE MANUFACTURE OR SALE OF APPARATUS OR DEVICES WITHOUT PERMISSION.		SIZE D	DWG NO. 137172-9	REV D
SCALE	NONE	PROJ. NO.	MD4460	SHEET 9 OF 12		

- PRIMARY ±200V
- PRIMARY +200V
- PRIMARY -200V
- PRIMARY 0V
- HOT/NEUTRAL
- SECONDARY ±125V
- SECONDARY +125V
- SECONDARY -125V
- SECONDARY ±60V
- SECONDARY +60V
- SECONDARY -60V
- SECONDARY ±26V

CLIP CONTROL

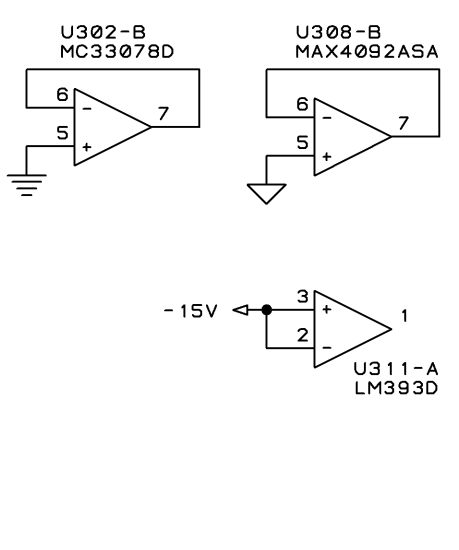


TLC

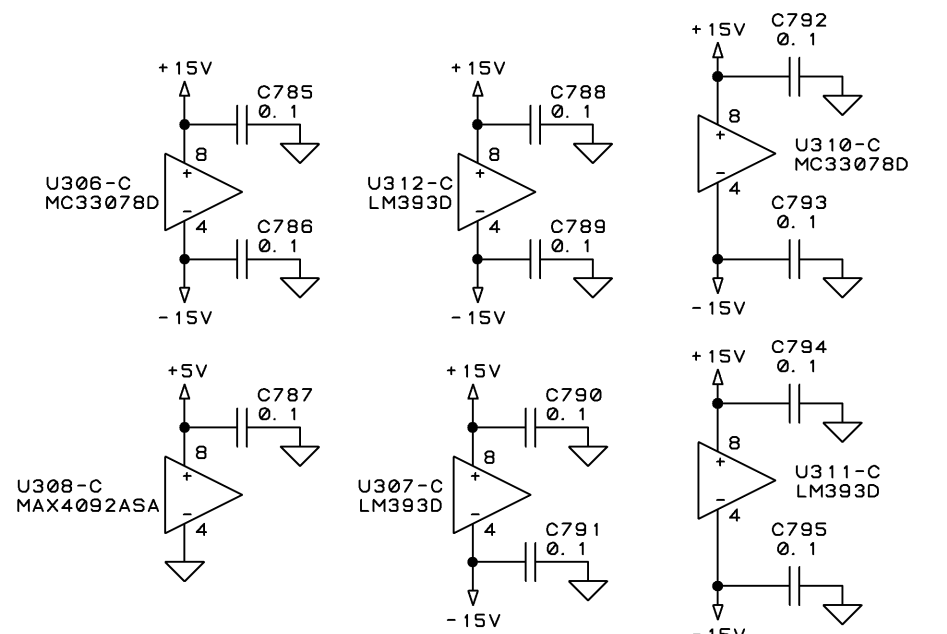
- NOTES:
1. PWA, MC 4/8 AMPLIFIER CARD
 2. ALL RESISTORS ARE IN OHMS. 0.063W, 1% UNLESS OTHERWISE SPECIFIED.
 3. ALL CAPACITORS ARE IN MICROFARADS UNLESS OTHERWISE SPECIFIED.
 4. ITEMS WITH THIS SYMBOL: REQUIRE HEATSINKING.

CHANNEL 3 AMPLIFIER

UNUSED ELEMENTS



BYPASS CAPACITORS



D

C

B

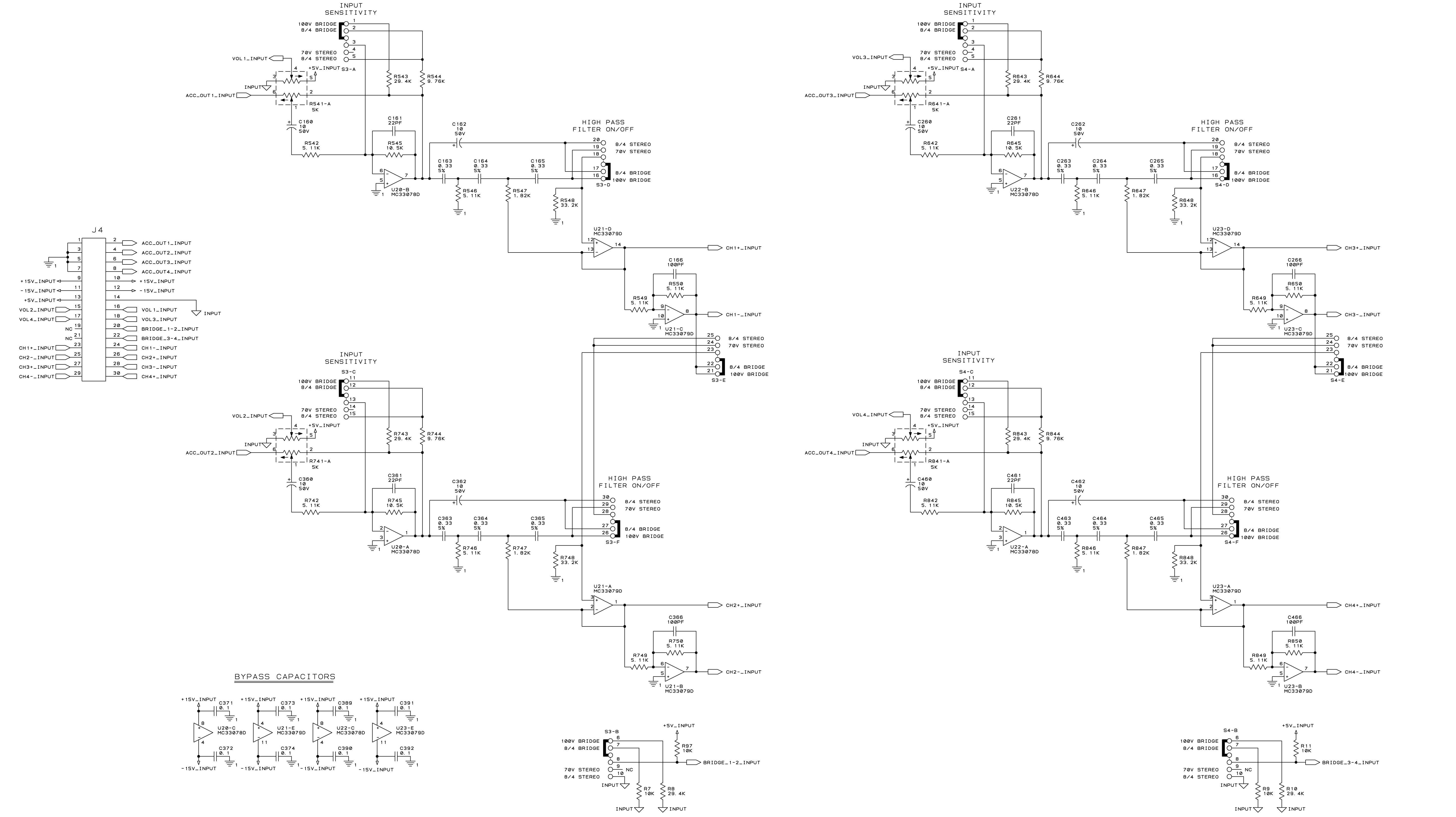
A

D

C

B

A



INPUT BOARD

UNCONTROLLED		THESE DRAWINGS AND SPECIFICATIONS ARE THE PROPERTY OF CROWN INTERNATIONAL, INC. AND SHALL NOT BE REPRODUCED, COPIED, OR USED AS THE BASIS FOR THE MANUFACTURE OR SALE OF APPARATUS OR DEVICES WITHOUT PERMISSION.		SIZE	DWG NO.	REV
D					137172-9	D
SCALE	NONE	PROJ NO.	MD44608	SHEET		12 OF 12