



CROWN

Service Manual
CTs600 Model
CTs1200 Model



Table of Contents

Section 1	Disassembly Procedure
1.1.....	Test Specifications
1.2.....	CTs Update and Check out List
1.3.....	Assembly Drawings
1.4.....	CTs600 120V BOM
1.5.....	CTs600 120V Schematic 138533-3
1.6.....	CTs600 230V BOM
1.7.....	CTs600 230V Schematic 138554-3
2.....	CTs1200 120V BOM
2.1.....	CTs1200 120V Schematic 138536-6
2.2.....	CTs1200 230V BOM
2.3.....	CTs1200 230V Schematic 138537-3

Section 1

Disassembly Procedure

DISASSEMBLY OF CTs 600 AND CTs 1200

1. Turn the amplifier so that the back panel is facing you. In these instructions, "Right" is toward your right hand and "Left" is toward your left hand.
2. Remove the PIP module.
3. Remove 7 cover screws.
4. Lift off the amplifier cover. Discharge the electrolytic capacitors. Then you should measure > 50 ohms between FB909 and FB910, which are near the front-right side of the amplifier.
5. Remove 1 screw by the IEC connector, 1 screw on the right panel, and 2 screws by the output barrier block.
6. Remove the shield near the IEC outlet on the right.
7. Slide the plastic push rod forward and pull it out.
8. Write down the colors and attachment points of the the wires on the IEC connector and circuit breaker. Remove those wires from the connectors.
9. On the outside of the rear panel, use a pliers to pinch the tabs on the circuit breaker, and shove the breaker into the unit to remove it.
10. Using a screwdriver, press inward on the top and bottom tabs of the IEC connector, and shove the connector out of the unit to remove it.
11. Find the plastic light pipes near the front panel. Pull them out, or just lift up the back of the pipes and fold the pipes toward the front panel. This process might lose some adhesive that was on the pipes.
12. Remove 11 screws from the board.
13. Locate the two large capacitors near the front panel toward your right. There is a screw on the PC board between the chassis and those capacitors. Remove it.
14. Locate the metal bracket on your right side by those two capacitors. Leave in place the 2 screws that hold down the bracket. Also keep the grey fish-paper plenum in place.
15. Lift up the front of the board and push the board forward to clear the switches from the back panel. Lift up the board from the back.

16. The board functions correctly outside of the chassis; it does not need to be connected to the chassis.

Re-assembly

1. Turn the amplifier so that the rear panel is facing you.
2. Put the board into the chassis front first, and push it toward the front panel of the chassis. Lower the back of the board into the chassis. If switches or knobs on the board rub the back panel, push the board further forward.
3. Pull the board straight back to insert the switches into the rear-panel holes.
4. Locate the two large capacitors near the front panel toward your right. Insert a screw into the board between the chassis and those capacitors.
5. Replace the 11 screws in the board.
6. Replace the plastic light pipes and/or their adhesive if necessary. Insert the light pipes near the front panel.
7. Replace the circuit breaker into its hole in the rear panel. The tabs will snap into place.
8. Replace the IEC connector into its hole in the rear panel. The tabs will snap into place.
9. Referring to your notes, plug the correct wires into the IEC connector and circuit breaker.
10. Insert the plastic push rod into the front panel and put it in place.
11. Replace the shield near the IEC outlet on your right.
12. Replace 1 screw by the IEC connector, 1 screw on the right panel, and 2 screws by the output barrier block.
13. Make sure the PIP cables come up through the PIP's hole in the rear panel, then replace the amplifier cover.
14. Replace the 7 cover screws.
15. Replace the PIP module.

Section 1.1

Test Specifications

CTs 600/1200 Production Test Specification (Preliminary)

Last edit by EB 3/26/02
Last edit by DRB 4/11/02 modified section 3, programming serial eprom
Last edit by EB 5/07/02
Last edit by EB 8/01/02 Added tolerance to 2h and 2p.
Last edit by EB 10/14/02 Added gain specifications
Last edit by EB 10/21/02 Clarified frequency response adjustment

Definitions

Minimum Specification: A specification that is 100% guaranteed to our customers, or a specification that must be met for proper operation of the amplifier.

Typical Specification: A specification that is not 100% guaranteed to our customers, or a specification that represents typical performance that can be expected of the amplifier.

Regulatory Specification: A specification that must be met in order to comply with regulatory standards. Many of these involve tests that are required on 100% of units.

Notes:

- 1) all test specs verified on both channels unless specified otherwise
- 2) all loads are resistive +/-0.1% unless specified otherwise
- 3) all specifications assumed at 1khz sine-wave unless specified otherwise
- 4) gain setting is in the 26db position.

Initial Setup

1. Set Bias
 - a. Set and verify bias to 0.350 +/-0.02VDC.
 - b. This spec assumes amplifier has been powered for at least one minute prior to adjustment at ambient temp = 23degC +/-3degC.
2. Set JTS
 - a. Set R313, R317, R379, R391, R413, R417, R479, R491 to mid position.
 - b. Apply a 3.5Vrms 10Hz signal to the amplifier inputs (26 db gain position).
 - c. Adjust R317 for minimum AC voltage from TP5 to TP121.
 - d. Remove the 10Hz signal from the amplifier input.
 - e. Measure the DC voltage from TP5(neg) to TP121(pos) (-10.5 to -12.5Vdc).
 - f. Add 20V to the measurement in step e (around +9Vdc).
 - g. Place jumpers on Z102 and Z103 and note that the fans run on high speed.
 - h. Adjust R313 for the voltage determined on step f +/-0.25V.
 - i. Remove the Z102 and Z103 jumpers.
 - j. Apply a 3.5Vrms 10Hz signal to the amplifier inputs.
 - k. Adjust R391 for minimum AC voltage from TP7 to TP123.
 - l. Remove the 10Hz signal from the amplifier input.
 - m. Measure the DC voltage from TP7(neg) to TP123(pos) (+10.5 to +12.5Vdc).
 - n. Subtract 20V from the measurement in step m (around -9Vdc).

- o. Place jumpers on Z104 and Z105.
 - p. Adjust R379 for the voltage determined on step n +/-0.25V.
 - q. Remove the Z104 and Z105 jumpers.
 - r. Repeat steps b through q for CH2
3. Program PIP Serial EEPROM

Address	Example Data	Description
0000h	43	Manufacturer Name in ASCII = 'CROWN' Note: Null termination indicates end of data.
0001h	52	
0002h	4F	
0003h	57	
0004h	4E	
0005h	0	
0006h	0	
0007h	0	
0008h	0	
0009h	0	
000Ah	31	Serial Number in ASCII Example = 123456 Note: Null termination indicates end of data.
000Bh	32	
000Ch	33	
000Dh	34	
000Eh	35	
000Fh	36	
0010h	0	
0011h	0	
0012h	0	
0013h	0	
0014h	30	Date Code in ASCII Example = 0102
0015h	31	
0016h	30	
0017h	32	
0018h	43	Model Name in ASCII CTs 600 = 'CTs 600', CTs 1200 = 'CTs 1200' Example = CTs 1200 Note: Null termination indicates end of data.
0019h	54	
001Ah	73	
001Bh	20	
001Ch	31	
001Dh	32	
001Eh	30	
001Fh	30	
0020h	0	
0021h	0	
0022h	6E	AO1 Scaling Coefficient CTs600/1200=110 (\$6E), CTs2000/3000=165 (\$A5) Example = 110
0023h	0	
0024h	0	
0025h	0	

0026h	6E	AO2 Scaling Coefficient
0027h	0	CTs600/1200=110 (\$6E), CTs2000/3000=165 (\$A5)
0028h	0	Example = 110
0029h	0	
002Ah	50	PIP Interface Revision Level = 'PIP2B'
002Bh	49	
002Ch	50	
002Dh	32	
002Eh	42	
002Fh	0	
0030h	0	
0031h	0	
0032h	0	
0033h	0	
0034h	0	
0036h	XX	Not Assigned, Available to PIP. Do not program.
::	:	
::	:	
007Fh	XX	
0080h	78	AC Line Voltage = 120 (\$78), 230 (\$E6) Example = 120
0081h	XX	Reserved for future use. Do not program.
::	:	
::	:	
00FFh	XX	

Performance and Operation Verification:

1. DC offset
 - a. Verify less than 2mvDC.
2. Residual Noise
 - a. Verify less than 150uVrms 20-20kHz + A-wgt or,
 - b. Verify less than 350uVrms A-wgt or,
 - c. Verify less than 500uVrms 20-20kHz.
3. Common Mode Rejection
 - a. Verify better than 50dB at 60Hz.
 - b. Assumes 20-20kHz measurement bandwidth limit
4. Frequency Response
 - a. Apply 1Khz 1V signal to the amplifier input as a reference.
 - b. Adjust R181,281 at 20kHz to be -.2dB (+/-0.1dB) from the 1kHz reference.

- c. Verify overall system frequency response is within +/-0.25dB of 1kHz reference over 20-20kHz.
- 5. SMPTE IMD
 - a. Verify 0 and -30db IMD<0.05%
- 6. Bench Power + Distortion:
 - a. CTs 1200:
 - i. Verify less than 0.10% THD+N with 71.6Vrms at 1kHz sine into 8ohms. This spec yields 640 watts which is 1.05 times the published power spec.
 - ii. Verify less than 0.05% THD+N with 50.6Vrms at 20Hz sine into 4ohms. This spec yields 640watts which is 1.05 times the published power spec.
 - iii. Verify less than 0.50% THD+N with 54.2Vrms at 20kHz sine into 4ohms. This spec yields 735watts which is 1.05 times the published spec.
 - b. CTs 600:
 - i. Verify less than 0.10% THD+N with 71.6Vrms at 1kHz sine into 16ohms. This gives 320watts which is 1.05 times the published spec.
 - ii. Verify less than 0.05% THD+N with 35.5Vrms at 20Hz sine into 4ohms. This gives 315watts which is 1.05 times the published spec.
 - iii. Verify less than 0.50% THD+N with 38.4Vrms at 20kHz sine into 4ohms. This gives 367watts which is 1.05 times the published spec.
- 7. Cooling Fans:
 - a. Verify fans off at 40C
 - b. Verify fans on at 60C
 - c. Verify audible fan noise less than 70db a weighted @ 1 meter
- 8. Protection and Abnormal Load Durability
 - a. Peak Current Limit
 - i. Verify the peak amplifier output current is $16A_{pk} < I_{out} < 18A_{pk}$ using 1khz sine burst into 1ohm or less resistive load.
 - b. Cap Load
 - i. Verify the amplifier output signal is stable with no visible oscillations or protection cycling for up to 10seconds when driving 30Vrms at 20kHz sine-wave into load made of $R = 8\text{ohm}$ in parallel with $2.0 < \text{Cap} < 2.2\mu\text{F}$.
 - c. Inductive Load
 - i. Verify the amplifier protects itself for sine-wave output at 70Vrms/1kHz driven into load of $R = 8\text{ohm}$ in parallel with $159\mu\text{H} < L < 169\mu\text{H}$.

- ii. Typical visible waveform:
- d. Short Load
 - i. Verify the amplifier survives a condition for sine-wave output at 10Vrms/1kHz driven into load of $R = 10\text{milli-ohm}$.

9. Front Panel LED's:

- a. Verify Ready LED on when amp is on, off when in stby
- b. Verify Signal LED off with any input signal below 2 milli-V rms and on with any input signal greater than 5 milli-Vrms.
- c. Verify -20dB LED off for any amplifier output voltage below 10 volts and on for any amplifier output voltage greater than 12volts.
- d. Verify -10dB LED on when 30, off when 33Vrms
- e. Verify Clip LED on when input signal =5Vrms and off when input signal=1Vrms
- f. Verify Thermal LED on when 40Vrms into 2 Ohms (after 10 Sec) and off when $V_{out} = 0$
- g. Verify Fault LED on when ?? and off when ??
- h. Verify Bridge LED on when dual/bridge switch in bridge mode and off when in dual mode.
- i. Verify Power LED on when rated line applied and power switch on. Verify Power LED flashing at approx 1 flash/second when power switch = on and applied AC mains less than 85% of rated.
- j. Verify Data LED on when PIP Data input toggled high and off when PIP Data input toggled low.

10. Quiescent Power Draw

- a. Verify less than 25 watts when amp is on and in standby.
- b. Verify less than 40 watts when amp is on and ready.

11. High Pass Filters:

- a. Verify frequency response within 0.25dB of flat curve.
- b. Verify frequency response within 0.25dB of 35Hz curve when HPF switch set to 35Hz.
- c. Verify frequency response within 0.25dB of 70Hz curve when HPF switch set to 70Hz.
- d. A minimum of two points on each curve should be verified.

12. Input Sensitivity:

- a. Verify amplifier voltage gain from balanced input to output is 26 +/- 0.5dB when sensitivity switch set to 26dB mode.
- b. Verify amplifier voltage gain 31 +/-0.5dB for CTs600 and 34 +/-0.5dB for the CTs1200 when sensitivity switch set to 01.4V for 4/8ohm mode mode.
- c. Verify amplifier voltage gain 34 +/-0.5dB when sensitivity switch set to 1.4V for 70V mode for both CTs600 and CTs1200.
- d. Measured from balanced input to amp output terminals.

13. Dual/Bridge Switch

- a. Verify CH2 input disabled when in Bridge mode.
- b. Verify CH1 input drives CH1 in phase and Ch2 180degrees out of phase when in Bridge mode.
- c. Verify Front Panel Bridge LED on when in Bridge mode and off when in Dual mode.

14. Input Attenuators

- a. Verify at least two points within 1.0dB of attenuation curve for each input attenuator pot.

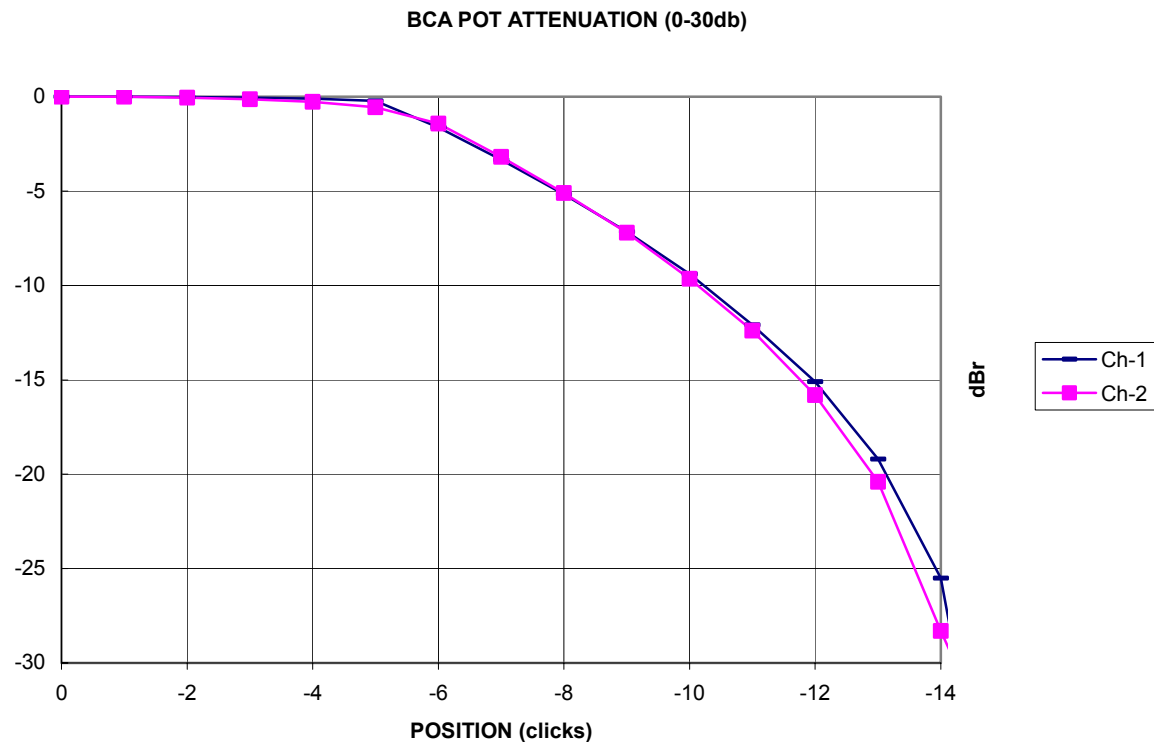


Fig.4. Typical attenuation as a function of clicks.

15. PIP interface

- a. Verify amp ready when RS signals set to high (>4.2VDC) and amp in standby when RS signals low (<0.8VDC).
- b. Verify SPCS, SPDO, SPDI, SPCLK signals operate correctly by programming and verifying the amplifier serial eeprom contents.
- c. Verify "+24V" = 24VDC +/-0.5VDC when amp powered by nominal AC line.
- d. Verify "-24V" = -24VDC +/-0.5VDC when amp powered by nominal AC line.

- e. Verify AO1 and AO2 signals scaling at two or more operating points
- f. Verify IS1 and IS2 signal scaling at two or more operating points
- g. Verify TDH1 and TDH2 signals scaling at two or more operating points
- h. Verify ES1 and ES2 are +15V +/-0.5V logic high when amp is normal and 0V +/-0.5V when amp is clipping.
- i. Verify DATA signal connection by driving amplifier front panel LED.
- j. Verify BGS1, BGS2 signal outputs...?
- k. Verify LVM signal output...?
- l. Verify VOUT1, VOUT2 signal outputs...?
- m. Verify FLT signal outputs...?
- n.

16. Sleep Mode Operation

- a. Verify the amp enters sleep mode when driven with sine-wave input signal less than -70dBV .
- b. Verify the amp exits sleep mode when driven with sine-wave input signal greater than -60dBV .

17. Compressor Operation

- a. Verify the compressor actively reduces gain with less than 5% THD+N for any input signal over 5V_{rms} .
- b. Verify the compressor actively reduces gain with less than 5% THD+N when the amp is driven with enough input level to otherwise clip the output stage by more than 3dB but less than 6dB.

18. Slew Rate

- a. Verify the large signal amplifier output slew rate is $> 14\text{V}/\mu\text{s}$ as measured from 20% to 80% of peak output voltage using a 10kHz or equivalent square wave into an 8ohm load.

19. Cross talk

- a. Verify cross talk less than -60dB with pink noise or any sine frequency up to 10kHz while driving 4-8ohm load 12dB below midband frequency into 4-8ohms.

20. High/Low Line Operation

- a. Verify amp operates within range of +10 to -25% of nominal line

21. Safety Ground

- a. Verify the resistance between amplifier chassis and ground connection of power cord (or IEC inlet if no cord) is intact and measures 0.1ohm or less.
- b. This test must be performed on every amplifier before shipment per UL6500, Annex N, or factory audit file.

22. Hi-Pot

- a. Verify the amplifier dielectric for rated mains voltage as shown in table.

Rated Mains Voltage	Applied Voltage (1sec)
<150Vrms	2120VAC
>150Vrms	2120VDC

- b. Voltage is applied to power cord terminals, between safety ground and line/neutral where line and neutral are connected together for test.
- c. Applied voltage must be in accordance with UL6500.
- d. During the test, the amplifier power switch must remain in the “ON” position.

Shipping State

1. The amplifier shall be verified in the following state for pack and shipment.
 - a. Back panel pots full cw
 - b. Filter switches = flat
 - c. Input sensitivity = 1.4 for 8/4ohms
 - d. Breaker = normal
 - e. Sleep mode jumpers = enable sleep mode
 - f. PIP-BBY installed
 - g. Bridge-mono switch = dual
 - h. Power Switch = off

Published Specifications

1. Noise
 - a. -104dB 20-20kHz
 - b. -106dB A-wgt
 - c. -110dB 20-20kHz + A-wgt
2. Frequency Response
 - a. +/-0.25dB 20-20kHz
3. Cross talk
 - a. Below 80dB from 20Hz to 1kHz
 - b. Below 60dB from 1kHz to 20kHz
4. Damping Factor
 - a. Greater than 1000 at 100Hz.
 - b. Greater than 500 from 20-400Hz.
5. Quiescent Power Draw
 - a. Less than 40W (Standby)
 - b. Less than 80W (Ready)
6. DC Offset
 - a. Less than 10mV
7. CMR
 - a. Better than 50dB at 60Hz
8. SMPTE Intermodulation Distortion:
 - a. Less than 0.5% from 30dB below rated power up to rated power into 8ohm load.
9. Power + Distortion (THD+N)

a. Highlighted specs verified in production spec

CTs 1200					
		0.05%	0.10%	0.35%	1%
DUAL	8ohm				
	20-20k		600		
	1k		600		
	4ohm				
	20-20k		600		
	1k		600		
	2ohm				
	20-20k				
	1k		250		
	70V				
	20-20k		600		
	1k				
	100V				
	20-20k		NR		
	1k		NR		
BRIDGE	8 ohm				
	20-20k		1200		
	1k		1000		
	4 ohm				
	20-20k				
	1k		500		
	140V				
	20-20k		1200		
	1k		1200		
	200V				
	20-20k		NR		
	1k		NR		

CTs 600					
		0.05%	0.10%	0.35%	1%
DUAL	8ohm				
	20-20k		300		
	1k		300		
	4ohm				
	20-20k		300		
	1k		300		
	2ohm				
	20-20k		150		
	1k		150		
	70V				
	20-20k		NR		
	1k		NR		
	100V				
	20-20k		NR		
	1k		NR		
BRIDGE	8 ohm				
	20-20k		600		
	1k		600		
	4 ohm				
	20-20k		300		
	1k		300		
	140V				
	20-20k		600		
	1k		600		
	200V				
	20-20k		NR		
	1k		NR		

Typical Power Specs:

CTs 1200					
		0.05%	0.10%	0.35%	1%
DUAL	8ohm				
	20-20k				
	1k				
	4ohm				
	20-20k				
	1k				
	2ohm				
	20-20k				
	1k				
	70V				
	20-20k				
	1k				
	100V				
	20-20k				
	1k				
BRIDGE	8 ohm				
	20-20k				
	1k				
	4 ohm				
	20-20k				
	1k				
	140V				
	20-20k				
	1k				
	200V				
	20-20k				
	1k				

CTs 600					
		0.05%	0.10%	0.35%	1%
DUAL	8ohm				
	20-20k				
	1k				
	4ohm				
	20-20k				
	1k				
	2ohm				
	20-20k				
	1k				
	70V				
	20-20k				
	1k				
	100V				
	20-20k				
	1k				
	BRIDGE	8 ohm			
20-20k					
1k					
4 ohm					
20-20k					
1k					
140V					
20-20k					
1k					
200V					
20-20k					
1k					

10. High Pass Filters

11. Compliance

a. Safety Standards

- i. EN 60065: 1998 Safety Requirements – Audio Video and Similar Electronic Apparatus
- b. Electromagnetic Compatibility Standards
- c. Emissions
 - i. EN 55103-1:1995 Electromagnetic Compatibility – Product Family Standard for Audio, Video, Audio-Visual and Entertainment Lighting Control Apparatus for Professional Use, Part 1: Emissions
 - ii. EN 55103-1:1995 Magnetic Field Emissions-Annex A @ 10 cm and 1 M
 - iii. EN 61000-3-2:1995 Limits for Harmonic Current Emissions (equipment input current ≤ 16 A per phase)
 - iv. EN 61000-3-3:1995 Limitation of Voltage Fluctuations and Flicker in Low-Voltage Supply Systems Rated Current ≤ 16 A
 - v. EN 55022:1992 + A1: 1995 & A2:1997 Limits and Methods of Measurement of Radio Disturbance Characteristics of ITE: Radiated, Class B Limits; Conducted, Class A
- d. Immunity
 - i. EN 55103-2:1996 Electromagnetic Compatibility – Product Family Standard for Audio, Video, Audio-Visual and Entertainment Lighting Control Apparatus for Professional Use, Part 2: Immunity
 - ii. EN 61000-4-2:1995 Electrostatic Discharge Immunity (Environment E2-Criteria B, 4k V Contact, 8k V Air Discharge)
 - iii. EN 61000-4-3:1996 Radiated, Radio-Frequency, Electromagnetic Immunity (Environment E2, criteria A)
 - iv. EN 61000-4-4:1995 Electrical Fast Transient/Burst Immunity (Criteria B)
 - v. EN 61000-4-5:1995 Surge Immunity (Criteria B)
 - vi. EN 61000-4-6:1996 Immunity to Conducted Disturbances Induced by Radio-Frequency Fields (Criteria A)
 - vii. EN 61000-4-11:1994 Voltage Dips, Short Interruptions and Voltage Variation

1.

Section 1.2
CTs Update and Check out List



CTS Update and Checkout List

Crown Technical Support

PO Box 1000 Elkhart IN 46515
Ph 800-342-6939/574-294-8200
Fax 574-294-8301

Page 1 of 2

**** Items in Bold print should always be performed.****

CTS600 and 1200 Models

1. Replace old fish paper plenum and standoffs with new foam plenum
 - On units from about the first six months on production
 - Foam plenum 136229-1
2. **Tech Note 173 Turn off pop with IQPIPUSP2 or USP2CN cards installed**
 - 2002 neighborhood, check tech note.
3. **Tech Note 175 Nuisance tripping of the fault circuit**
 - Prior to date code 0103.
4. Replace old steel shield at power inlet with part with transformer “support”
 - On units prior to about January 2003
 - Add foam 139853-1 on top of transformer T901 when changing shield
 - HS/EMI shield 135026-4
5. Add RC network to channel 2
 - Approximately 5 versions of older boards.
 - Add R496 A11371-5R65 5.6 OHM 1W 5% 2512 T/R, and C253 A10434-473JD .047UF 250VDC 5% MET POLY T/A
6. Replace short older shadow boxes and light pipes.
 - On units prior to about March 2004
 - 133212-4 Shadowbox, 133222-2 Light Pipes x 2, 134400-1 Gaskets.
 - 133213-4 Shadowbox, 133223-2 Light Pipes, 134401-1 Gaskets.
7. **Tech Note 176 Soft Start Inrush Current**
 - Prior to date code 0094
8. **Tech Note 179 Last Voltage Amplifier (LVA) circuit**
 - Prior to date code 0055
 - Engineering will supply photo or sample of board that is too discolored to be acceptable, scrap board if discoloration is severe.
 - Addendum, perform changes to channel 1 as well
 - Replace Q111, Q119, Q26, Q27, Q29, Q29
9. Replace older Mechatronics fans with blue and red wires only
 - On units prior to about March 2005
 - Replacement fan has same part number 133978-1



CTS Update and Checkout List

Crown Technical Support

PO Box 1000 Elkhart IN 46515
Ph 800-342-6939/574-294-8200
Fax 574-294-8301

Page 2 of 2

**** Items in Bold print should always be performed.****

10. **Pico Flex cables (Both BJT and BCA versions)**

- 6/XX/04 to 12/XX/06
- Replace "J2A" cable with 139900-1, replace "J2B" cable with 139899-1
- A "good" cable has a bead of glue on both ends of the cable top and bottom

11. Replace C36 and C39 with more reliable part

- All units to date.
- 139705-1 CAP, 0.33UF 50V 5% X7R 1206

13. Remove R565 the MOV

- Affects units prior to about June 2006

14. Replace loose hot melt glue, track down loose pieces and discard

- Remove loose hot melt between caps and add hot melt from the tops of capacitors as per current procedure.

CTS2000 and 3000 Models

1. **Tech Note 177 Soft start inrush current**

- Prior to date code 0094

2. Replace C527, C527X on base PWA 134579-8, 135019-7 [front end card] with more reliable part

- Affects units prior to about July 2006, (the old C527, C527X was a 1210 size part, the part was changed to a smaller part on later revisions)
- Replace with 139705-1 CAP, 0.33UF 50V 5% X7R 1206

3. Remove R904 the MOV

- On units prior to about September 2006
-

4. Torque amplifier to output board assembly screws on solderable washers if needed

- All units to date
- Use "screw depth gauge" to determine if disassembly for step this is needed
- Engineering will design the depth gauge

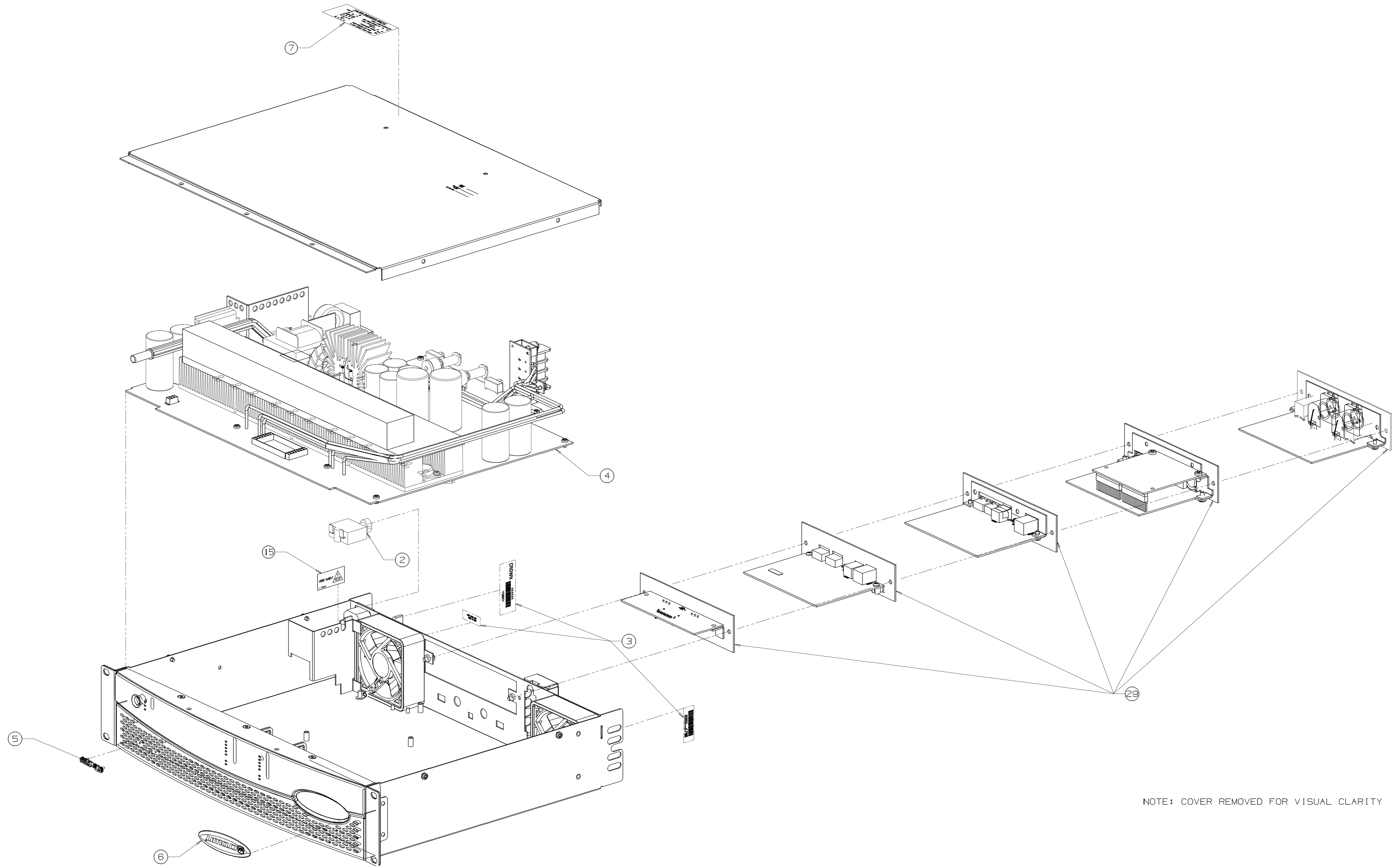
5. **Pico Flex cables (Both BJT and BCA versions)**

- 6/XX/04 to 12/XX/06
- Replace "J2A" cable with 139900-1, replace "J2B" cable with 139899-1
- A "good" cable has a bead of glue on both ends of the cable top and bottom

6. Replace loose hot melt glue, track down loose pieces and discard

- Remove loose hot melt between caps and add hot melt from the tops of capacitors as per current procedure.

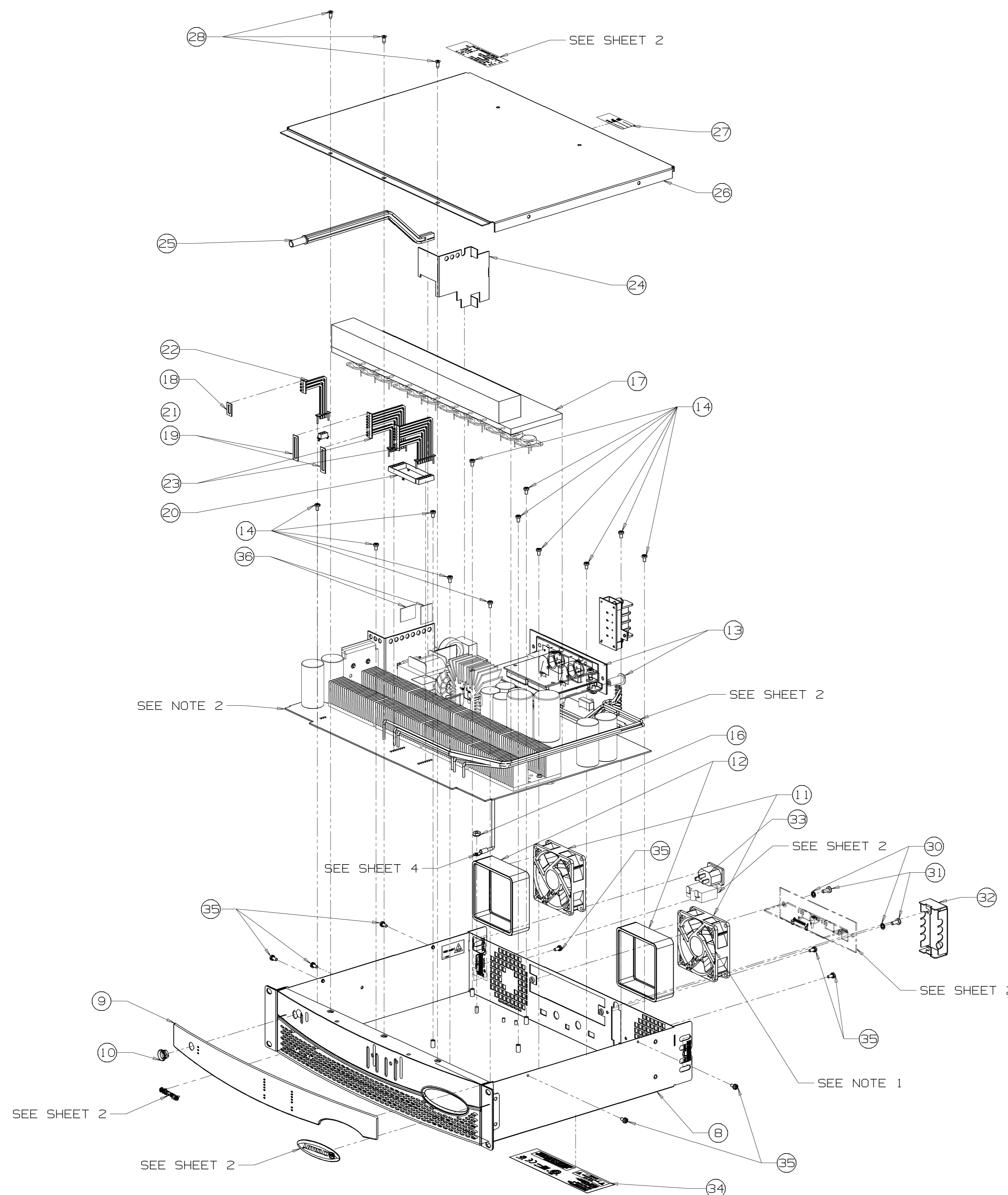
Section 1.3
CTs Assembly Drawings



NOTE: COVER REMOVED FOR VISUAL CLARITY

<p>UNCONTROLLED UNLESS OTHERWISE MARKED IN RED INK BY CM AS A CONTROLLED COPY, COPIES OF THESE DOCUMENTS AND ASSOCIATED ELECTRONIC FILES ARE UNCONTROLLED AND ARE FOR REFERENCE ONLY.</p> <p>THESE DRAWINGS, SPECIFICATIONS AND ASSOCIATED ELECTRONIC FILES ARE THE PROPERTY OF CROWN INTERNATIONAL, INC. AND SHALL NOT BE REPRODUCED, COPIED, OR USED AS THE BASIS FOR THE MANUFACTURE OR SALE OF APPARATUS OR DEVICES WITHOUT PERMISSION.</p>	<p>TOLERANCE UNLESS OTHERWISE SPECIFIED .00 = ±.020 .000 = ±.010 ANGLES = ±1.0°</p>	<p>CROWN <small>H</small> A Harman International Company 1718 WEST MISHAWAKA RD. ELKHART, IN 46517 PHONE: (574) 234-9000 WWW.CROWNAUDIO.COM</p>	<p>SIZE DWG NO. D 135727</p>	<p>REV (N)</p>
	<p>DO NOT SCALE DRAWING</p>		<p>SCALE .5X</p>	<p>PROJ NO. MD433</p>

REVISIONS							APPROVALS			
E.C.N.	ZONE	REV	DESCRIPTION	DATE	DWN	CHK	CM	PE		
35010		(N)	ITEM 8 WAS 136398-2, ITEM 24 WAS 135026-2, ITEM 26 WAS 135592-1, ITEM 31 WAS A10089-70806, ITEM 34 WAS 134553-1; SEE SHEET 4 FOR ADDITIONAL CHANGES	10-4-07	JAG	N/A		GET		



NOTES:

- 1) INSERT FAN (ITEM 10) WITHIN GROOVES OF GROMMET (ITEM 11)
- 2) INSERT HEATSINK END OF PWA (ITEM 4) INTO CHASSIS FIRST.

RECOMMENDED ASSEMBLY TORQUES:

ITEM NO.	C.P.N.	TORQUE SETTING
35	103433-70605	20-22 IN LBS.
31	A10089-70806	9-11 IN LBS.
28	134232-1	14-16 IN LBS.
14	132240-10604	9-11 IN LBS.
16	A11056-2	14-16 IN LBS.

ITEM	QTY	DESCRIPTION	PART NO.
(36)	2	TAPE, .06X1X.75" W/ADHESIVE	135894-1
(8)	8	SEMS, 6-32X.31 TORX PNHD STAR	103433-70605
(34)	1	LABEL, AGENCY MARKINGS	134395-1
(33)	1	1EC SNAP IN 15A UL/10A VDE	102650-1
(32)	1	COVER, CT INPUTS	134553-1
(31)	2	B-32 X .37 RDHD BZ MSCR	A10089-70806
(30)	2	#8 INT STAR LOCKWASHER BLACK	A10094-5
(28)	3	SCR, #6-32X.375 FLAT HD T15	134232-1
(27)	1	LABEL, CTS BJT INPUT SENSE	133683-1
(26)	1	COVER, BJT PAINTED	135592-1
(25)	1	PUSH ROD, POWER SW	133254-1
(24)	1	HS/EMI SHIELD, IN-LINE BRIDGE	135026-2
(23)	2	LIGHTPIPE, SIGNAL	133222-2
(22)	1	LIGHTPIPE, POWER	133223-2
(21)	1	INS, LIGHTPIPE POWER	133213-4
(20)	1	INS., SIGNAL LIGHTPIPE	133212-4
(19)	2	GASKET, CTS 7 LIGHT PIPE	134400-1
(18)	1	GASKET, CTS 3 LIGHT PIPE	134401-1
(17)	1	FOAM, PLENUM	136229-1
(16)	1	8X32 HEX NUT W/BELLE	A11056-2
(14)	12	MSCR, 6-32 X .250 TORX PNHD NYLOK	132240-10604
(13)	2	KNOB, CT INSET	133718-1
(12)	2	GROMMET, FAN	133330-1
(11)	2	FAN, 3.15 X 3.15 X .98 24VDC	133978-1
(10)	1	GROMMET, POWER SW	133253-1
(9)	1	OVERLAY, CT SERIES	133217-1
(8)	1	CHAS ASSY, CTS BJT	136398-2

UNCONTROLLED
UNLESS OTHERWISE MARKED IN RED INK BY CM AS A CONTROLLED COPY, COPIES OF THESE DOCUMENTS AND ASSOCIATED ELECTRONIC FILES ARE UNCONTROLLED AND ARE FOR REFERENCE ONLY.

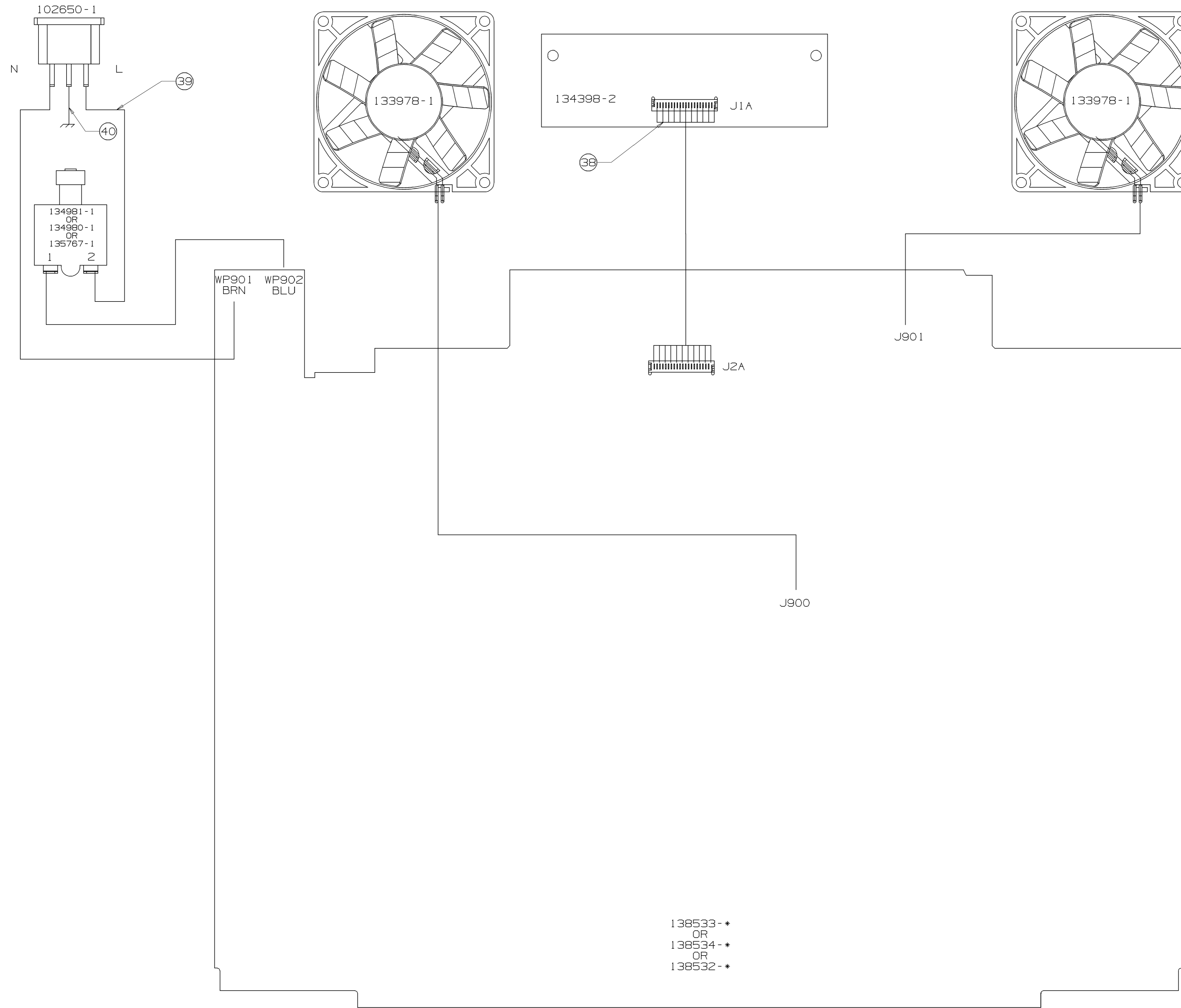
TOLENANCE UNLESS OTHERWISE SPECIFIED
.00 = ±.020
.000 = ±.010
ANGLES = ±1.0°

SIZE DWG NO. 135727
D

DO NOT SCALE DRAWING SCALE .35X PROJ NO. MD433 SHEET 3 OF 5

CROWN H A Harman International Company
1718 WEST MISHAWAKA RD. ELKHART, IN 46517
PHONE (574) 234-9000 WWW.CROWNAUDIO.COM

REVISIONS							APPROVALS	
E.C.N.	ZONE	REV	DESCRIPTION	DATE	DWN	CHK	CM	PE
35010		(N)	ITEM 38 WAS 136567-1	10-4-07	JAG	N/A		GET



138533-*
OR
138534-*
OR
138532-*

NOTES:
1) * INDICATES MOST CURRENT PWA REV UNLESS OTHERWISE SPECIFIED.

ITEM	QTY	DESCRIPTION	PART NO.
(40)	1	GNDWIRE, 14AWG GRN/YEL 4.5" RING	134206-2
(39)	1	WIRE ASSY, 14GA BRN 4.0" BR	134214-2
(38)	1	CBL, 20 PIN 9" MOLDED PICOFLEX	139941-1

UNCONTROLLED
UNLESS OTHERWISE MARKED IN RED INK BY CM AS A CONTROLLED COPY, COPIES OF THESE DOCUMENTS AND ASSOCIATED ELECTRONIC FILES ARE UNCONTROLLED AND ARE FOR REFERENCE ONLY.

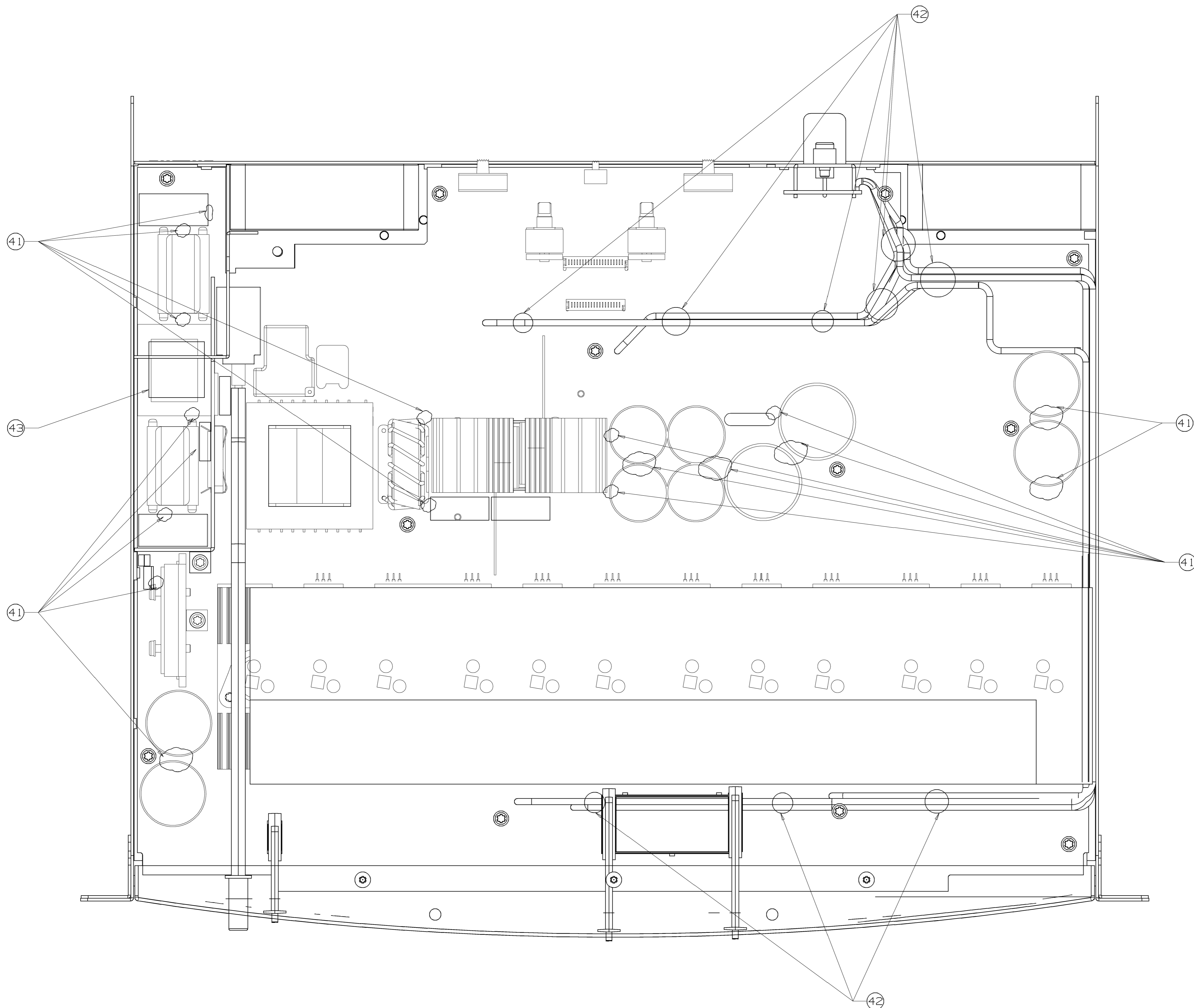
THESE DRAWINGS, SPECIFICATIONS AND ASSOCIATED ELECTRONIC FILES ARE THE PROPERTY OF CROWN INTERNATIONAL, INC. AND SHALL NOT BE REPRODUCED, COPIED, OR USED AS THE BASIS FOR THE MANUFACTURE OR SALE OF APPARATUS OR DEVICES WITHOUT PERMISSION.

TOLERANCE UNLESS OTHERWISE SPECIFIED
.00 = ±.020
.000 = ±.010
ANGLES = ±1.0°

CROWN H A Harman International Company
1718 WEST MISHAWAKA RD. ELKHART, IN 46517
PHONE: (574) 234-9000
WWW.CROWNAUDIO.COM

SIZE/DWG NO.
D 135727

DO NOT SCALE DRAWING SCALE FULL PROJ. NO. MD433 SHEET 4 OF 5



ITEM	QTY	DESCRIPTION	PART NO.
④	1	FOAM, DP XFMR SORBOTHANE	139583-1
④	9	TIE, CABLE 5.5" OR MORE 18 LB	C 8812-7
④	18	GLUE, HOTMELT 1/2 X 4" STICKS	134923-1

UNCONTROLLED
UNLESS OTHERWISE MARKED IN RED INK BY CM AS A CONTROLLED COPY, COPIES OF THESE DOCUMENTS AND ASSOCIATED ELECTRONIC FILES ARE UNCONTROLLED AND ARE FOR REFERENCE ONLY.

THESE DRAWINGS, SPECIFICATIONS AND ASSOCIATED ELECTRONIC FILES ARE THE PROPERTY OF CROWN INTERNATIONAL, INC. AND SHALL NOT BE REPRODUCED, COPIED, OR USED AS THE BASIS FOR THE MANUFACTURE OR SALE OF APPARATUS OR DEVICES WITHOUT PERMISSION.

TOLERANCE UNLESS OTHERWISE SPECIFIED
.00 = ±.020
.000 = ±.010
ANGLES = ±1.0°

CROWN H A Harman International Company
1718 WEST MISHAWAKA RD. ELKHART, IN 46517
PHONE: (574) 234-9000
WWW.CROWNAUDIO.COM

SIZE DWG NO. D 135727
DO NOT SCALE DRAWING SCALE FULL PROJ. NO. MD433 SHEET 5 OF 5

Section 1.4
CTs600 120V BOM (Bill of Materials)

REVISION HISTORY						
E.C.N	REV	DESCRIPTION	DATE	DWN	PE	CM
	A	INITIAL RELEASE DERIVED FROM 138533-3 REV. 2 C938 WAS ROTATED TO 90°	06/07/07	JFL	BP	DSV
34706	B	U100 & U200 WERE 139618-1 (PREPPED PART)	07/16/07	JFL	BWP	DSV

UNLESS OTHERWISE SPECIFIED, THIS PRINTED WIRING ASSEMBLY SHALL MEET THE SPECIFICATION DESCRIBED IN IPC-A-610_ CLASS 2 STANDARDS.

ROHS COMPLIANCE: THIS PART MUST COMPLY WITH CROWN AUDIO SPECIFICATION 138935 AND ROHS DIRECTIVE 2002/95/EC OR BE DEFINED AS A ROHS APPROVED EXCEPTION.

NOTES:

1. PRINTED WIRING BOARD PART NUMBER 138530-3
2. SEE 138533-3_B.TIF FOR SCHEMATIC AND COMPONENT MAP.
3. ALL LEADS SHALL BE TRIMMED TO 0.125" OR LESS.
4. POSITION COMPONENTS AS SHOWN ON COMPONENT MAP.
5. INSTALL CAPTIVE NUTS (A10019-16) TO BOTTOM OF PRINTED WIRING BOARD.
6. COAT BOTTOM SIDE OF ALUMINUM HEATSINK WITH OXIDE INHIBITOR S 6442-8 IN 3 PLACES (SEE COMPONENT MAP).
7. INSTALL SILPAD (132565-2) OVER TO220 DEVICES PRIOR TO INSTALLING HEATSINK (132644-4) SEE COMPONENT MAP.
8. APPLY KAPTON TAPE (135520-2) TO BOTTOM OF HEATSINK (132644-4) PRIOR TO INSTALLING HEATSINK. SEE COMPONENT MAP FOR LOCATIONS.
9. COVER TOP SURFACE OF RT101, RT102, RT201, AND RT202 WITH HEATSINK COMPOUND (S 2162-6) PRIOR TO INSTALLING HEATSINK (132644-4).
10. APPLY TAPE 135894-1 TO EMI SHIELD 133415-3 SEE COMPONENT MAP FOR LOCATIONS.
11. MOVE R947 OR PREVENT R947 FROM TOUCHING HEATSINK.
12. APPLY TORQUE SEAL (101036-1) TO ALL POTS AFTER FINAL ADJUSTMENT.
13. ALL GRADED POWER TRANSISTORS (102659-1) ON A HEATSINK MUST BE OF THE SAME GRADE.

ECR PENDING



UNCONTROLLED
 UNLESS OTHERWISE MARKED IN RED INK BY CM AS A CONTROLLED COPY, COPIES OF THESE DOCUMENTS INCLUDING ASSOCIATED ELECTRONIC REPRODUCTIONS ARE FOR REFERENCE ONLY
 THESE DRAWINGS AND SPECIFICATIONS ARE THE PROPERTY OF CROWN INTERNATIONAL, INC. AND SHALL NOT BE REPRODUCED, COPIED, OR USED AS THE BASIS FOR THE MANUFACTURE OR SALE OF APPARATUS OR DEVICES WITHOUT PERMISSION.

DWN	JFL	06/07/07	PE	BP	06/07/07	CM	DSV	06/08/07	DIST.	K		
-----	-----	----------	----	----	----------	----	-----	----------	-------	---	--	--

REF. DES.	CPN	DESCRIPTION	MAP LOC.
C1	A11427-104K2	.1UF 50V CHIP CAP 10% 0805 X7R	H 11
C2	C10208-4	100.UF 25V 20% RAD ELECT T/R	K 10
C3	C10208-4	100.UF 25V 20% RAD ELECT T/R	N 13
C4	A11427-104K2	.1UF 50V CHIP CAP 10% 0805 X7R	B 1
C5	A11427-224J5	0.22UF 50V 5% X7R 1206 T/R	C 2
C6	103418-103J2	.01UF 5% 100V X7R 0805	N 12
C7	103418-103J2	.01UF 5% 100V X7R 0805	C 12
C8	A11427-104K2	.1UF 50V CHIP CAP 10% 0805 X7R	H 11
C9	A11427-104K2	.1UF 50V CHIP CAP 10% 0805 X7R	G 11
C10	A11427-104K2	.1UF 50V CHIP CAP 10% 0805 X7R	B 2
C11	A11427-104K2	.1UF 50V CHIP CAP 10% 0805 X7R	C 2
C12	A11427-104K2	.1UF 50V CHIP CAP 10% 0805 X7R	N 12
C13	C 9465-3	10UF 50V 20% VERT ELECT T/A	B 2
C14	C 9465-3	10UF 50V 20% VERT ELECT T/A	B 2
C15	C 9465-3	10UF 50V 20% VERT ELECT T/A	P 2
C16	C 9465-3	10UF 50V 20% VERT ELECT T/A	P 3
C17	A11427-224J5	0.22UF 50V 5% X7R 1206 T/R	I 9
C18	A11427-224J5	0.22UF 50V 5% X7R 1206 T/R	G 9
C19	A11369-101J2	100 PF 50V 5% NPO MLC 0805 T/R	E 10
C20	A11427-104K2	.1UF 50V CHIP CAP 10% 0805 X7R	F 10
C21	A11369-101J2	100 PF 50V 5% NPO MLC 0805 T/R	E 10
C22	A11369-332F5	3300.PF 50V 1% NPO MLC 1206	F 11
C23	A11369-102J2	.001UF 50V 5% NPO MLC 0805 T/R	F 11
C24	103418-103J2	.01UF 5% 100V X7R 0805	F 11
C25	A11427-104K2	.1UF 50V CHIP CAP 10% 0805 X7R	E 11
C26	A11369-102J2	.001UF 50V 5% NPO MLC 0805 T/R	F 10
C27	103418-103J2	.01UF 5% 100V X7R 0805	F 11
C28	A11369-102F2	1000PF 50V 1% CHIP CAP	F 11
C29	A11427-104K2	.1UF 50V CHIP CAP 10% 0805 X7R	F 11
C30		OPEN	F 11
C31	A11427-104K2	.1UF 50V CHIP CAP 10% 0805 X7R	F 11
C32	A11427-104K2	.1UF 50V CHIP CAP 10% 0805 X7R	F 11
C33	A11369-101J2	100 PF 50V 5% NPO MLC 0805 T/R	E 11
C34	A11427-104K2	.1UF 50V CHIP CAP 10% 0805 X7R	F 10
C35	A11427-104K2	.1UF 50V CHIP CAP 10% 0805 X7R	E 11
C36	139705-1	CAP, 0.33UF 50V 5% X7R 1206	G 10
C37	C 5362-6	2.2UF 50V VERT ELECT T/A	F 12
C38	A11427-104K2	.1UF 50V CHIP CAP 10% 0805 X7R	F 12
C39	139705-1	CAP, 0.33UF 50V 5% X7R 1206	M 11
C40	A11427-104K2	.1UF 50V CHIP CAP 10% 0805 X7R	M 11
C41	A11427-104K2	.1UF 50V CHIP CAP 10% 0805 X7R	M 11
C42	A11427-104K2	.1UF 50V CHIP CAP 10% 0805 X7R	O 1
C43	A11427-104K2	.1UF 50V CHIP CAP 10% 0805 X7R	N 1
C44	A11427-104K2	.1UF 50V CHIP CAP 10% 0805 X7R	F 1
C45	A11427-104K2	.1UF 50V CHIP CAP 10% 0805 X7R	F 1
C46	A11427-104K2	.1UF 50V CHIP CAP 10% 0805 X7R	D 2
C47	A11427-104K2	.1UF 50V CHIP CAP 10% 0805 X7R	E 2
C48	A11427-104K2	.1UF 50V CHIP CAP 10% 0805 X7R	P 2
C49	A11427-104K2	.1UF 50V CHIP CAP 10% 0805 X7R	Q 2
C50	A11427-104K2	.1UF 50V CHIP CAP 10% 0805 X7R	K 2
C51	A11427-104K2	.1UF 50V CHIP CAP 10% 0805 X7R	K 2
C52	A11369-330J2	33 PF 50V 5% NPO MLC 0805	B 8
C53	A11369-330J2	33 PF 50V 5% NPO MLC 0805	B 9
C54	A11369-102J2	.001UF 50V 5% NPO MLC 0805 T/R	M 12
C55	103418-103J2	.01UF 5% 100V X7R 0805	E 11
C56	A11369-5R6D2	5.6PF 50V +/- .5PF NPO MLC 0805	F 10

C57	A11369-5R6D2	5.6PF 50V +/- .5PF NPO MLC 0805	F 10
C58	103418-103J2	.01UF 5% 100V X7R 0805	K 3
C59	A11427-104K2	.1UF 50V CHIP CAP 10% 0805 X7R	J 2
C62	103418-103J2	.01UF 5% 100V X7R 0805	K 2
C63	A11427-104K2	.1UF 50V CHIP CAP 10% 0805 X7R	J 2
C64	A11369-221J2	220 PF 50V 5% NPO MLC 0805 T/R	H 10
C65	A11427-104K2	.1UF 50V CHIP CAP 10% 0805 X7R	N 13
C66	A11427-104K2	.1UF 50V CHIP CAP 10% 0805 X7R	J 2
C67	A11427-104K2	.1UF 50V CHIP CAP 10% 0805 X7R	J 2
C68	103418-103J2	.01UF 5% 100V X7R 0805	P 11
C69	103418-103J2	.01UF 5% 100V X7R 0805	O 11
C70	A11427-104K2	.1UF 50V CHIP CAP 10% 0805 X7R	E 7
C71	A11427-104K2	.1UF 50V CHIP CAP 10% 0805 X7R	E 7
C74	133875-1	CAP, 1UF 10% 10V X7R 0805 SMT	F 12
C75	A11427-104K2	.1UF 50V CHIP CAP 10% 0805 X7R	M 12
C100	A11369-470K2	47PF 50V 10% NPO 0805 T/R	J 13
C101	A11369-470K2	47PF 50V 10% NPO 0805 T/R	J 13
C102	A11427-184J5	0.18UF 50V 5% X7R 1206 T/R	K 2
C103	A11369-220J2	22 PF 5% 50V NPO CER CHIP	J 13
C104	A11427-224J5	0.22UF 50V 5% X7R 1206 T/R	L 2
C105	A11427-223K5	0.022UF 50V 10% 1206 T/R	M 1
C106	A11427-223K5	0.022UF 50V 10% 1206 T/R	M 1
C107	C10208-4	100.UF 25V 20% RAD ELECT T/R	K 2
C108	A11369-100J2	CAP, 10PF 5% 50V SMT 0805	J 2
C109	C 9465-3	10UF 50V 20% VERT ELECT T/A	K 13
C110	C10466-8	.22UF 50V 5% MTL FILM RDL T/A	K 13
C111	C10501-2	.022UF 50V 5% POLYESTER T/R	K 13
C112	C10501-2	.022UF 50V 5% POLYESTER T/R	K 13
C113	131788-1	CAP, 0.68UF 50V 5% METAL FILM	K 13
C114	131787-1	CAP, 0.068UF 50V 5% METAL FILM	K 13
C115	131787-1	CAP, 0.068UF 50V 5% METAL FILM	K 13
C116	131788-1	CAP, 0.68UF 50V 5% METAL FILM	L 13
C117	131787-1	CAP, 0.068UF 50V 5% METAL FILM	L 13
C118	131787-1	CAP, 0.068UF 50V 5% METAL FILM	L 13
C119	A11427-104K2	.1UF 50V CHIP CAP 10% 0805 X7R	L 13
C120	A11369-470K2	47PF 50V 10% NPO 0805 T/R	E 1
C121	A11427-104K2	.1UF 50V CHIP CAP 10% 0805 X7R	K 12
C122	103418-103J2	.01UF 5% 100V X7R 0805	K 13
C123	A11369-221J2	220 PF 50V 5% NPO MLC 0805 T/R	J 13
C125	A11369-221J2	220 PF 50V 5% NPO MLC 0805 T/R	J 12
C126	A11369-221J2	220 PF 50V 5% NPO MLC 0805 T/R	K 12
C127	A11369-222J2	CAP, 2200PF 50V NPO 5% 0805	K 12
C130	132637-1	CAP, 27PF 10% 500V NPO 1206	K 11
C131	A11369-470K2	47PF 50V 10% NPO 0805 T/R	K 12
C132	A11369-100J2	CAP, 10PF 5% 50V SMT 0805	K 12
C133	A11369-100J2	CAP, 10PF 5% 50V SMT 0805	K 11
C134	A11369-102J2	.001UF 50V 5% NPO MLC 0805 T/R	N 12
C135	C10208-4	100.UF 25V 20% RAD ELECT T/R	M 12
C136	A11427-104K2	.1UF 50V CHIP CAP 10% 0805 X7R	M 2
C137	C10501-2	.022UF 50V 5% POLYESTER T/R	D 2
C138	A11427-224J5	0.22UF 50V 5% X7R 1206 T/R	D 2
C139	125817-1	22UF 25V 20% NP VERT T/R	D 3
C140	A11369-471J2	CAP, 470PF 5% 50V SMT 0805	P 10
C141	A10434-104JD	.1UF 250V 5% MTL POLY FILM T/A	Q 3
C142	138706-1	CAP, 220PF 5% 500V NPO 1206	O 7
C143	132637-1	CAP, 27PF 10% 500V NPO 1206	P 9
C144	A11369-470K2	47PF 50V 10% NPO 0805 T/R	N 6
C145	132637-1	CAP, 27PF 10% 500V NPO 1206	P 7
C146	132637-1	CAP, 27PF 10% 500V NPO 1206	P 9

C147	138706-1	CAP, 220PF 5% 500V NPO 1206	K 7
C148	A11369-471J2	CAP, 470PF 5% 50V SMT 0805	O 10
C149	A10434-104JD	.1UF 250V 5% MTL POLY FILM T/A	M 3
C150	C10501-2	.022UF 50V 5% POLYESTER T/R	P 2
C151	A11427-224J5	0.22UF 50V 5% X7R 1206 T/R	P 2
C152	125817-1	22UF 25V 20% NP VERT T/R	P 3
C153		OPEN	K 7
C154	C10466-8	.22UF 50V 5% MTL FILM RDL T/A	K 11
C155	A10434-473JD	.047UF 250VDC 5% MET POLY T/A	N 16
C156	A10434-473JD	.047UF 250VDC 5% MET POLY T/A	N 15
C157	A11427-104K2	.1UF 50V CHIP CAP 10% 0805 X7R	J 13
C158	A11427-104K2	.1UF 50V CHIP CAP 10% 0805 X7R	J 13
C159	A11427-104K2	.1UF 50V CHIP CAP 10% 0805 X7R	J 12
C160	A11427-104K2	.1UF 50V CHIP CAP 10% 0805 X7R	K 12
C163	A11427-104K2	.1UF 50V CHIP CAP 10% 0805 X7R	J 2
C164	A11427-104K2	.1UF 50V CHIP CAP 10% 0805 X7R	J 2
C165	A11427-104K2	.1UF 50V CHIP CAP 10% 0805 X7R	J 2
C166	A11427-104K2	.1UF 50V CHIP CAP 10% 0805 X7R	J 2
C167	A11427-104K2	.1UF 50V CHIP CAP 10% 0805 X7R	M 12
C168	A11427-104K2	.1UF 50V CHIP CAP 10% 0805 X7R	N 12
C169	A11427-104K2	.1UF 50V CHIP CAP 10% 0805 X7R	J 13
C170	A11427-104K2	.1UF 50V CHIP CAP 10% 0805 X7R	K 13
C171	A11427-104K2	.1UF 50V CHIP CAP 10% 0805 X7R	M 2
C172	A11427-104K2	.1UF 50V CHIP CAP 10% 0805 X7R	N 2
C173	A11427-104K2	.1UF 50V CHIP CAP 10% 0805 X7R	L 2
C174	A11427-104K2	.1UF 50V CHIP CAP 10% 0805 X7R	M 3
C182	C10208-4	100.UF 25V 20% RAD ELECT T/R	G 3
C183	C 8894-5	1UF 50V VERT 10% NP ELECT T/R	P 11
C184	C 8894-5	1UF 50V VERT 10% NP ELECT T/R	P 11
C185	A11427-224J5	0.22UF 50V 5% X7R 1206 T/R	I 12
C186	A11427-104K2	.1UF 50V CHIP CAP 10% 0805 X7R	F 3
C187	A11427-104K2	.1UF 50V CHIP CAP 10% 0805 X7R	F 3
C190	A11427-104K2	.1UF 50V CHIP CAP 10% 0805 X7R	P 11
C191	A11427-104K2	.1UF 50V CHIP CAP 10% 0805 X7R	P 11
C192	A11369-470K2	47PF 50V 10% NPO 0805 T/R	F 3
C193	A11369-470K2	47PF 50V 10% NPO 0805 T/R	F 3
C194	A10434-104JD	.1UF 250V 5% MTL POLY FILM T/A	B 3
C195	A10434-104JD	.1UF 250V 5% MTL POLY FILM T/A	B 5
C196	A11369-470K2	47PF 50V 10% NPO 0805 T/R	E 1
C197	125817-1	22UF 25V 20% NP VERT T/R	K 10
C198	125817-1	22UF 25V 20% NP VERT T/R	J 10
C200	A11369-470K2	47PF 50V 10% NPO 0805 T/R	H 13
C201	A11369-470K2	47PF 50V 10% NPO 0805 T/R	I 13
C202	A11427-184J5	0.18UF 50V 5% X7R 1206 T/R	J 2
C203	A11369-220J2	22 PF 5% 50V NPO CER CHIP	H 13
C204	A11427-224J5	0.22UF 50V 5% X7R 1206 T/R	H 1
C205	A11427-223K5	0.022UF 50V 10% 1206 T/R	H 2
C206	A11427-223K5	0.022UF 50V 10% 1206 T/R	G 2
C207	C10208-4	100.UF 25V 20% RAD ELECT T/R	K 2
C208	A11369-100J2	CAP, 10PF 5% 50V SMT 0805	J 2
C209	C 9465-3	10UF 50V 20% VERT ELECT T/A	H 13
C210	C10466-8	.22UF 50V 5% MTL FILM RDL T/A	G 13
C211	C10501-2	.022UF 50V 5% POLYESTER T/R	G 13
C212	C10501-2	.022UF 50V 5% POLYESTER T/R	G 13
C213	131788-1	CAP, 0.68UF 50V 5% METAL FILM	G 13
C214	131787-1	CAP, 0.068UF 50V 5% METAL FILM	G 13
C215	131787-1	CAP, 0.068UF 50V 5% METAL FILM	G 13
C216	131788-1	CAP, 0.68UF 50V 5% METAL FILM	G 13
C217	131787-1	CAP, 0.068UF 50V 5% METAL FILM	G 13

C218	131787-1	CAP, 0.068UF 50V 5% METAL FILM	G 13
C219	A11427-104K2	.1UF 50V CHIP CAP 10% 0805 X7R	G 13
C221	A11427-104K2	.1UF 50V CHIP CAP 10% 0805 X7R	G 12
C222	103418-103J2	.01UF 5% 100V X7R 0805	G 12
C223	A11369-221J2	220 PF 50V 5% NPO MLC 0805 T/R	H 13
C225	A11369-221J2	220 PF 50V 5% NPO MLC 0805 T/R	H 12
C226	A11369-221J2	220 PF 50V 5% NPO MLC 0805 T/R	G 12
C227	A11369-222J2	CAP, 2200PF 50V NPO 5% 0805	G 12
C230	132637-1	CAP, 27PF 10% 500V NPO 1206	G 11
C231	A11369-470K2	47PF 50V 10% NPO 0805 T/R	G 12
C232	A11369-100J2	CAP, 10PF 5% 50V SMT 0805	H 12
C233	A11369-100J2	CAP, 10PF 5% 50V SMT 0805	H 11
C234	A11369-102J2	.001UF 50V 5% NPO MLC 0805 T/R	L 12
C235	C10208-4	100.UF 25V 20% RAD ELECT T/R	M 12
C236	A11427-104K2	.1UF 50V CHIP CAP 10% 0805 X7R	H 2
C237	C10501-2	.022UF 50V 5% POLYESTER T/R	E 2
C238	A11427-224J5	0.22UF 50V 5% X7R 1206 T/R	E 2
C239	125817-1	22UF 25V 20% NP VERT T/R	E 3
C240	A11369-471J2	CAP, 470PF 5% 50V SMT 0805	P 8
C241	A10434-104JD	.1UF 250V 5% MTL POLY FILM T/A	I 3
C242	138706-1	CAP, 220PF 5% 500V NPO 1206	G 7
C243	132637-1	CAP, 27PF 10% 500V NPO 1206	O 8
C244	A11369-470K2	47PF 50V 10% NPO 0805 T/R	G 6
C245	132637-1	CAP, 27PF 10% 500V NPO 1206	P 9
C246	132637-1	CAP, 27PF 10% 500V NPO 1206	O 8
C247	138706-1	CAP, 220PF 5% 500V NPO 1206	C 7
C248	A11369-471J2	CAP, 470PF 5% 50V SMT 0805	O 8
C249	A10434-104JD	.1UF 250V 5% MTL POLY FILM T/A	C 3
C250	C10501-2	.022UF 50V 5% POLYESTER T/R	Q 2
C251	A11427-224J5	0.22UF 50V 5% X7R 1206 T/R	Q 2
C252	125817-1	22UF 25V 20% NP VERT T/R	Q 3
C253	A10434-473JD	.047UF 250VDC 5% MET POLY T/A	I 7
C254	C10466-8	.22UF 50V 5% MTL FILM RDL T/A	G 11
C255	A10434-473JD	.047UF 250VDC 5% MET POLY T/A	M 16
C256	A10434-473JD	.047UF 250VDC 5% MET POLY T/A	M 15
C257	A11427-104K2	.1UF 50V CHIP CAP 10% 0805 X7R	H 13
C258	A11427-104K2	.1UF 50V CHIP CAP 10% 0805 X7R	I 13
C259	A11427-104K2	.1UF 50V CHIP CAP 10% 0805 X7R	G 12
C260	A11427-104K2	.1UF 50V CHIP CAP 10% 0805 X7R	H 12
C267	A11427-104K2	.1UF 50V CHIP CAP 10% 0805 X7R	L 12
C268	A11427-104K2	.1UF 50V CHIP CAP 10% 0805 X7R	M 12
C269	A11427-104K2	.1UF 50V CHIP CAP 10% 0805 X7R	G 13
C270	A11427-104K2	.1UF 50V CHIP CAP 10% 0805 X7R	H 13
C271	A11427-104K2	.1UF 50V CHIP CAP 10% 0805 X7R	G 2
C272	A11427-104K2	.1UF 50V CHIP CAP 10% 0805 X7R	H 2
C273	A11427-104K2	.1UF 50V CHIP CAP 10% 0805 X7R	H 2
C274	A11427-104K2	.1UF 50V CHIP CAP 10% 0805 X7R	I 2
C282	C10208-4	100.UF 25V 20% RAD ELECT T/R	F 3
C283	C 8894-5	1UF 50V VERT 10% NP ELECT T/R	O 11
C284	C 8894-5	1UF 50V VERT 10% NP ELECT T/R	O 11
C285	A11427-224J5	0.22UF 50V 5% X7R 1206 T/R	J 11
C290	A11427-104K2	.1UF 50V CHIP CAP 10% 0805 X7R	O 11
C291	A11427-104K2	.1UF 50V CHIP CAP 10% 0805 X7R	O 11
C300	A11427-104K2	.1UF 50V CHIP CAP 10% 0805 X7R	P 9
C301	A11427-104K2	.1UF 50V CHIP CAP 10% 0805 X7R	O 9
C400	A11427-104K2	.1UF 50V CHIP CAP 10% 0805 X7R	P 8
C401	A11427-104K2	.1UF 50V CHIP CAP 10% 0805 X7R	N 8
C801	103418-103J2	.01UF 5% 100V X7R 0805	K 15
C802	103418-103J2	.01UF 5% 100V X7R 0805	I 15

C803	A11369-221J2	220 PF 50V 5% NPO MLC 0805 T/R	K 15
C804	A11369-221J2	220 PF 50V 5% NPO MLC 0805 T/R	I 15
C805	A11369-221J2	220 PF 50V 5% NPO MLC 0805 T/R	J 15
C806	A11369-221J2	220 PF 50V 5% NPO MLC 0805 T/R	H 15
C900	137030-1	CAP, 1UF X2 REDUCED SIZE	B 13
C901	138359-1	PRP, C10325-6 2200PF 250V .125	C 8
C902	138359-1	PRP, C10325-6 2200PF 250V .125	C 8
C903	137030-1	CAP, 1UF X2 REDUCED SIZE	B 7
C904	138359-1	PRP, C10325-6 2200PF 250V .125	B 13
C905	138359-1	PRP, C10325-6 2200PF 250V .125	B 12
C906	130636-103J5	0.01UF 500V 5% X7R 1206 T/R	B 9
C908	134163-1	CAP, 2700UF 20% 200V ELECT	L 8
C909	134163-1	CAP, 2700UF 20% 200V ELECT	M 9
C910		OPEN	J 8
C911		OPEN	J 9
C912	131310-2	CAP, 1200UF 200VDC PC MNT ELECT	K 8
C913	131310-2	CAP, 1200UF 200VDC PC MNT ELECT	K 9
C914	125434-1	CAP, .068UF 400V FILM POLYESTER	J 9
C915	131312-1	0.01UF 400V 5% MET POLY RAD	I 9
C916	C 8576-8	100UF 35V 10% ALUM ELECT T/A	G 7
C917	C 4477-3	470 UF 35V VERT	E 12
C918	C 5362-6	2.2UF 50V VERT ELECT T/A	C 11
C919	C 5362-6	2.2UF 50V VERT ELECT T/A	D 12
C920	A11369-102J2	.001UF 50V 5% NPO MLC 0805 T/R	A 7
C921	A11427-224J5	0.22UF 50V 5% X7R 1206 T/R	E 12
C922	A10432-151KF	150PF 630VDC 10% PROP CAP T/A	I 8
C923	A10432-151KF	150PF 630VDC 10% PROP CAP T/A	H 9
C924	138679-1	PRP, 134115-1 .22UF 630V .125	G 8
C925	A10432-151KF	150PF 630VDC 10% PROP CAP T/A	D 10
C926	A11427-104K2	.1UF 50V CHIP CAP 10% 0805 X7R	F 7
C927	133323-1	CAP, 3800UF 125V ALUM ELECT	B 3
C928	133323-1	CAP, 3800UF 125V ALUM ELECT	B 4
C929		OPEN	Q 11
C930	133323-1	CAP, 3800UF 125V ALUM ELECT	Q 9
C931	133323-1	CAP, 3800UF 125V ALUM ELECT	Q 10
C932		OPEN	Q 8
C933	C 4477-3	470 UF 35V VERT	E 7
C934	C 4477-3	470 UF 35V VERT	E 7
C935	C 4477-3	470 UF 35V VERT	F 7
C936	C 4477-3	470 UF 35V VERT	E 7
C937	C10208-4	100.UF 25V 20% RAD ELECT T/R	Q 7
C938	C10208-4	100.UF 25V 20% RAD ELECT T/R	N 7
C939	C10208-4	100.UF 25V 20% RAD ELECT T/R	F 7
C940	C10208-4	100.UF 25V 20% RAD ELECT T/R	I 7
C941	A11427-104K2	.1UF 50V CHIP CAP 10% 0805 X7R	E 12
C942	A11369-102J2	.001UF 50V 5% NPO MLC 0805 T/R	D 12
C943	A11369-102J2	.001UF 50V 5% NPO MLC 0805 T/R	D 12
C945	138679-1	PRP, 134115-1 .22UF 630V .125	H 8
C946	134382-1	CAP, 0.047UF 5% 400V POLYESTER	I 9
D1	C 9773-0	DIODE, ZENER 5.1V 1N5231 SMT	H 11
D2	C 7478-8	1N4148 MINIMELF CHIP DIODE T/R	N 11
D3	C 7478-8	1N4148 MINIMELF CHIP DIODE T/R	N 11
D4	C 7478-8	1N4148 MINIMELF CHIP DIODE T/R	N 11
D5	C 7478-8	1N4148 MINIMELF CHIP DIODE T/R	C 2
D6	133272-1	DIODE, ZENER 250MW 15V SOT23	B 2
D7	133272-1	DIODE, ZENER 250MW 15V SOT23	B 2
D8	133272-1	DIODE, ZENER 250MW 15V SOT23	O 3
D9	133272-1	DIODE, ZENER 250MW 15V SOT23	O 2
D10	C 7478-8	1N4148 MINIMELF CHIP DIODE T/R	I 9

D11	C 7478-8	1N4148 MINIMELF CHIP DIODE T/R	I 9
D12	C 7478-8	1N4148 MINIMELF CHIP DIODE T/R	G 9
D13	C 7478-8	1N4148 MINIMELF CHIP DIODE T/R	G 9
D14	C 7478-8	1N4148 MINIMELF CHIP DIODE T/R	N 12
D16		OPEN	G 11
D17	C 7478-8	1N4148 MINIMELF CHIP DIODE T/R	F 11
D18	C 7478-8	1N4148 MINIMELF CHIP DIODE T/R	F 12
D19	C 7478-8	1N4148 MINIMELF CHIP DIODE T/R	E 12
D20	C 7478-8	1N4148 MINIMELF CHIP DIODE T/R	F 11
D21	C 7478-8	1N4148 MINIMELF CHIP DIODE T/R	E 11
D22	C 7478-8	1N4148 MINIMELF CHIP DIODE T/R	G 10
D23	C 7478-8	1N4148 MINIMELF CHIP DIODE T/R	G 10
D24	C 7478-8	1N4148 MINIMELF CHIP DIODE T/R	M 11
D25	C 7478-8	1N4148 MINIMELF CHIP DIODE T/R	M 12
D26	C 7478-8	1N4148 MINIMELF CHIP DIODE T/R	G 11
D29	132558-1	DIODE, TL431ACD ADJ SMT REF	G 11
D30	C 7478-8	1N4148 MINIMELF CHIP DIODE T/R	H 10
D31	C 7478-8	1N4148 MINIMELF CHIP DIODE T/R	H 10
D100	C 7478-8	1N4148 MINIMELF CHIP DIODE T/R	K 2
D101	C 7478-8	1N4148 MINIMELF CHIP DIODE T/R	K 2
D102	C 7478-8	1N4148 MINIMELF CHIP DIODE T/R	K 2
D103	C 7478-8	1N4148 MINIMELF CHIP DIODE T/R	K 2
D104	C 7478-8	1N4148 MINIMELF CHIP DIODE T/R	K 2
D105	C 7478-8	1N4148 MINIMELF CHIP DIODE T/R	K 13
D106	C 7478-8	1N4148 MINIMELF CHIP DIODE T/R	L 11
D107	C 7478-8	1N4148 MINIMELF CHIP DIODE T/R	K 11
D108	C 7478-8	1N4148 MINIMELF CHIP DIODE T/R	J 12
D109	C10370-2	DIODE, ZENER 10V MMBZ5240BL	L 2
D110	C 7478-8	1N4148 MINIMELF CHIP DIODE T/R	M 13
D111	C 7478-8	1N4148 MINIMELF CHIP DIODE T/R	M 12
D112	C 7478-8	1N4148 MINIMELF CHIP DIODE T/R	F 2
D113	C 7478-8	1N4148 MINIMELF CHIP DIODE T/R	P 10
D114	C 7478-8	1N4148 MINIMELF CHIP DIODE T/R	P 10
D115	C 7478-8	1N4148 MINIMELF CHIP DIODE T/R	P 10
D116	C 7478-8	1N4148 MINIMELF CHIP DIODE T/R	P 10
D117	C 7478-8	1N4148 MINIMELF CHIP DIODE T/R	P 10
D118	C 7478-8	1N4148 MINIMELF CHIP DIODE T/R	P 9
D119	C 7478-8	1N4148 MINIMELF CHIP DIODE T/R	P 9
D120	133264-1	DIODE, 250V SWITCH MINIMELF	P 10
D121	C 7478-8	1N4148 MINIMELF CHIP DIODE T/R	Q 10
D122	C 7478-8	1N4148 MINIMELF CHIP DIODE T/R	P 9
D123	C 7478-8	1N4148 MINIMELF CHIP DIODE T/R	P 9
D125	C 7478-8	1N4148 MINIMELF CHIP DIODE T/R	P 9
D126	C 7478-8	1N4148 MINIMELF CHIP DIODE T/R	P 7
D127	C 7478-8	1N4148 MINIMELF CHIP DIODE T/R	P 8
D128	C 7478-8	1N4148 MINIMELF CHIP DIODE T/R	P 8
D129	C 7478-8	1N4148 MINIMELF CHIP DIODE T/R	P 8
D130	C 7478-8	1N4148 MINIMELF CHIP DIODE T/R	P 9
D131	C 7478-8	1N4148 MINIMELF CHIP DIODE T/R	O 10
D132	C 7478-8	1N4148 MINIMELF CHIP DIODE T/R	O 9
D133	C 7478-8	1N4148 MINIMELF CHIP DIODE T/R	O 9
D134	C 7478-8	1N4148 MINIMELF CHIP DIODE T/R	O 9
D135	133264-1	DIODE, 250V SWITCH MINIMELF	O 10
D136	C 7478-8	1N4148 MINIMELF CHIP DIODE T/R	O 10
D137	C 7478-8	1N4148 MINIMELF CHIP DIODE T/R	O 10
D138	C 7478-8	1N4148 MINIMELF CHIP DIODE T/R	O 10
D139	C 7478-8	1N4148 MINIMELF CHIP DIODE T/R	O 9
D140	C 7478-8	1N4148 MINIMELF CHIP DIODE T/R	N 2
D141	C10067-4	DIODE, 1A 100V SILICON SMT T/R	L 7

D142	131613-1	DIODE, 50A FAST T/R	Q 7
D143	131613-1	DIODE, 50A FAST T/R	P 7
D147	C 7478-8	1N4148 MINIMELF CHIP DIODE T/R	J 3
D151	C 7478-8	1N4148 MINIMELF CHIP DIODE T/R	L 11
D200	C 7478-8	1N4148 MINIMELF CHIP DIODE T/R	K 2
D201	C 7478-8	1N4148 MINIMELF CHIP DIODE T/R	J 3
D202	C 7478-8	1N4148 MINIMELF CHIP DIODE T/R	K 3
D203	C 7478-8	1N4148 MINIMELF CHIP DIODE T/R	K 3
D204	C 7478-8	1N4148 MINIMELF CHIP DIODE T/R	J 3
D205	C 7478-8	1N4148 MINIMELF CHIP DIODE T/R	G 13
D206	C 7478-8	1N4148 MINIMELF CHIP DIODE T/R	G 11
D207	C 7478-8	1N4148 MINIMELF CHIP DIODE T/R	G 11
D208	C 7478-8	1N4148 MINIMELF CHIP DIODE T/R	H 12
D209	C10370-2	DIODE, ZENER 10V MMBZ5240BL	I 2
D210	C 7478-8	1N4148 MINIMELF CHIP DIODE T/R	M 13
D211	C 7478-8	1N4148 MINIMELF CHIP DIODE T/R	M 12
D212	C 7478-8	1N4148 MINIMELF CHIP DIODE T/R	G 2
D213	C 7478-8	1N4148 MINIMELF CHIP DIODE T/R	O 7
D214	C 7478-8	1N4148 MINIMELF CHIP DIODE T/R	O 7
D215	C 7478-8	1N4148 MINIMELF CHIP DIODE T/R	O 7
D216	C 7478-8	1N4148 MINIMELF CHIP DIODE T/R	O 9
D217	C 7478-8	1N4148 MINIMELF CHIP DIODE T/R	O 9
D218	C 7478-8	1N4148 MINIMELF CHIP DIODE T/R	O 9
D219	C 7478-8	1N4148 MINIMELF CHIP DIODE T/R	P 8
D220	133264-1	DIODE, 250V SWITCH MINIMELF	O 7
D221	C 7478-8	1N4148 MINIMELF CHIP DIODE T/R	O 7
D222	C 7478-8	1N4148 MINIMELF CHIP DIODE T/R	O 8
D223	C 7478-8	1N4148 MINIMELF CHIP DIODE T/R	O 8
D225	C 7478-8	1N4148 MINIMELF CHIP DIODE T/R	O 9
D226	C 7478-8	1N4148 MINIMELF CHIP DIODE T/R	O 8
D227	C 7478-8	1N4148 MINIMELF CHIP DIODE T/R	O 8
D228	C 7478-8	1N4148 MINIMELF CHIP DIODE T/R	N 8
D229	C 7478-8	1N4148 MINIMELF CHIP DIODE T/R	N 7
D230	C 7478-8	1N4148 MINIMELF CHIP DIODE T/R	O 9
D231	C 7478-8	1N4148 MINIMELF CHIP DIODE T/R	N 7
D232	C 7478-8	1N4148 MINIMELF CHIP DIODE T/R	O 8
D233	C 7478-8	1N4148 MINIMELF CHIP DIODE T/R	O 8
D234	C 7478-8	1N4148 MINIMELF CHIP DIODE T/R	O 8
D235	133264-1	DIODE, 250V SWITCH MINIMELF	N 7
D236	C 7478-8	1N4148 MINIMELF CHIP DIODE T/R	O 8
D237	C 7478-8	1N4148 MINIMELF CHIP DIODE T/R	O 8
D238	C 7478-8	1N4148 MINIMELF CHIP DIODE T/R	O 8
D239	C 7478-8	1N4148 MINIMELF CHIP DIODE T/R	O 8
D240	C 7478-8	1N4148 MINIMELF CHIP DIODE T/R	O 2
D241	C10067-4	DIODE, 1A 100V SILICON SMT T/R	D 7
D242	131613-1	DIODE, 50A FAST T/R	I 7
D243	131613-1	DIODE, 50A FAST T/R	C 7
D247	C 7478-8	1N4148 MINIMELF CHIP DIODE T/R	J 3
D251	C 7478-8	1N4148 MINIMELF CHIP DIODE T/R	L 12
D900	C 7478-8	1N4148 MINIMELF CHIP DIODE T/R	D 11
D901	125770-1	RECT, 35A 600V PC MNT BRIDGE	B 9
D901A	133559-1	CLIP, INLINE RECTIFIER	B 9
D901B	133415-3	SHIELD, EMI	B 9
D901C	103415-10605	SCR, #6-32X.312 SEMS TFS CONE	B 7
D902	C 7478-8	1N4148 MINIMELF CHIP DIODE T/R	D 12
D903	C 7478-8	1N4148 MINIMELF CHIP DIODE T/R	C 11
D904	C 7478-8	1N4148 MINIMELF CHIP DIODE T/R	C 12
D905	C 7478-8	1N4148 MINIMELF CHIP DIODE T/R	C 11
D906	C 7478-8	1N4148 MINIMELF CHIP DIODE T/R	C 12

D907	C10370-2	DIODE, ZENER 10V MMBZ5240BL	E 12
D908	C 7478-8	1N4148 MINIMELF CHIP DIODE T/R	D 12
D909	C 7478-8	1N4148 MINIMELF CHIP DIODE T/R	E 10
D910	C 7478-8	1N4148 MINIMELF CHIP DIODE T/R	E 10
D913	C 7478-8	1N4148 MINIMELF CHIP DIODE T/R	E 11
D914	C 7478-8	1N4148 MINIMELF CHIP DIODE T/R	E 11
D915	C 7478-8	1N4148 MINIMELF CHIP DIODE T/R	D 11
D916	C 7478-8	1N4148 MINIMELF CHIP DIODE T/R	D 11
D917	134827-1	DIODE, SCHOTTKY 100V 3A SMC	C 7
D918	134827-1	DIODE, SCHOTTKY 100V 3A SMC	D 7
D919	134827-1	DIODE, SCHOTTKY 100V 3A SMC	D 7
D920	134827-1	DIODE, SCHOTTKY 100V 3A SMC	E 7
D921	125594-1	DIODE, RECTIFIER 400V 1A SMB	Q 7
D922	125594-1	DIODE, RECTIFIER 400V 1A SMB	Q 7
D923	125594-1	DIODE, RECTIFIER 400V 1A SMB	M 7
D924	125594-1	DIODE, RECTIFIER 400V 1A SMB	M 7
D925	125594-1	DIODE, RECTIFIER 400V 1A SMB	E 7
D926	125594-1	DIODE, RECTIFIER 400V 1A SMB	F 7
D927	125594-1	DIODE, RECTIFIER 400V 1A SMB	I 7
D928	125594-1	DIODE, RECTIFIER 400V 1A SMB	J 7
D929	138676-1	PRP, 132039-1 (DSEP29-06A).300	B 6
D930	138676-1	PRP, 132039-1 (DSEP29-06A).300	B 5
D931	138676-1	PRP, 132039-1 (DSEP29-06A).300	B 7
D932	138676-1	PRP, 132039-1 (DSEP29-06A).300	B 6
D933	C 7478-8	1N4148 MINIMELF CHIP DIODE T/R	M 12
E1	136345-1	LED, YELLOW 1206 INNER LENS	C 2
E2	136344-1	LED, BLUE 1206 INNER LENS	C 2
E3	136345-1	LED, YELLOW 1206 INNER LENS	C 2
E100	136342-1	LED, RED 1206 INNER LENS	L 2
E101	136342-1	LED, RED 1206 INNER LENS	L 2
E102	136342-1	LED, RED 1206 INNER LENS	L 2
E103	136343-1	LED, GREEN 1206 INNER LENS	L 2
E104	136343-1	LED, GREEN 1206 INNER LENS	L 2
E105	136343-1	LED, GREEN 1206 INNER LENS	L 2
E106	136343-1	LED, GREEN 1206 INNER LENS	L 3
E200	136342-1	LED, RED 1206 INNER LENS	I 2
E201	136342-1	LED, RED 1206 INNER LENS	I 2
E202	136342-1	LED, RED 1206 INNER LENS	I 2
E203	136343-1	LED, GREEN 1206 INNER LENS	I 2
E204	136343-1	LED, GREEN 1206 INNER LENS	I 2
E205	136343-1	LED, GREEN 1206 INNER LENS	I 2
E206	136343-1	LED, GREEN 1206 INNER LENS	I 3
F1	A10285-54	FUSE, 100MA 250V 5X20 SLO-BLOW	A 12
F1X	134380-1	FUSE CLIP, PC MNT 5MM T/A	A 12
F1XX	134380-1	FUSE CLIP, PC MNT 5MM T/A	A 11
FB1	125846-1	FERRITE BEAD, 600 OHM .5A 0805	K 15
FB2	125846-1	FERRITE BEAD, 600 OHM .5A 0805	I 15
FB3	125846-1	FERRITE BEAD, 600 OHM .5A 0805	J 15
FB4	125846-1	FERRITE BEAD, 600 OHM .5A 0805	H 15
FB903	134836-1	FERRITE, SMT BEAD 50 OHM	D 7
FB904	134836-1	FERRITE, SMT BEAD 50 OHM	D 7
FB909	135081-2	JUMPER, 14 AWG W/BEAD	B 3
FB910	135081-2	JUMPER, 14 AWG W/BEAD	B 5
HS1	132676-2	HS, TO-220 BRIDGE	B 6
HS1A	103415-10605	SCR, #6-32X.312 SEMS TFS CONE	B 6
HS1B	103436-10606	SCR, 6-32X.375 MACH TORX SEMS	B 6
HS1C	103436-10606	SCR, 6-32X.375 MACH TORX SEMS	B 5
HS1D	135003-1	INSULATOR, CER 2.10X0.85X.04	B 6
HS1E	134671-1	CLIP, 4 FINGER STAINLESS	B 6

HS101	132644-4	HS, 3 X TO-3 ALUM EXT	P 4
HS101A	103415-70608	SCREW,6-32 X.5 TORX PNHD SEM	P 4
HS101B	103415-70608	SCREW,6-32 X.5 TORX PNHD SEM	O 6
HS101C	103415-70608	SCREW,6-32 X.5 TORX PNHD SEM	Q 6
HS101D	133930-1	CLIP, TEE BAR	D 6
HS101E	102659-1	NPN, TO-3 MJ21194 PWR	O 5
HS101F	102659-1	NPN, TO-3 MJ21194 PWR	P 5
HS101G		OPEN	Q 5
HS101H	131029-10604	SCR,#6-32X0.250 THREAD ROLL	N 4
HS101I	131029-10604	SCR,#6-32X0.250 THREAD ROLL	O 5
HS101J	131029-10604	SCR,#6-32X0.250 THREAD ROLL	P 4
HS101K	131029-10604	SCR,#6-32X0.250 THREAD ROLL	Q 5
HS101L		OPEN	Q 4
HS101M		OPEN	R 5
HS102	132644-4	HS, 3 X TO-3 ALUM EXT	L 4
HS102A	103415-70608	SCREW,6-32 X.5 TORX PNHD SEM	L 4
HS102B	103415-70608	SCREW,6-32 X.5 TORX PNHD SEM	K 6
HS102C	103415-70608	SCREW,6-32 X.5 TORX PNHD SEM	M 6
HS102D	133930-1	CLIP, TEE BAR	H 6
HS102E	102659-1	NPN, TO-3 MJ21194 PWR	K 5
HS102F	102659-1	NPN, TO-3 MJ21194 PWR	L 5
HS102G		OPEN	M 5
HS102H	131029-10604	SCR,#6-32X0.250 THREAD ROLL	J 4
HS102I	131029-10604	SCR,#6-32X0.250 THREAD ROLL	K 5
HS102J	131029-10604	SCR,#6-32X0.250 THREAD ROLL	L 4
HS102K	131029-10604	SCR,#6-32X0.250 THREAD ROLL	M 5
HS102L		OPEN	M 4
HS102M		OPEN	N 5
HS201	132644-4	HS, 3 X TO-3 ALUM EXT	H 4
HS201A	103415-70608	SCREW,6-32 X.5 TORX PNHD SEM	H 4
HS201B	103415-70608	SCREW,6-32 X.5 TORX PNHD SEM	H 6
HS201C	103415-70608	SCREW,6-32 X.5 TORX PNHD SEM	I 6
HS201D	133930-1	CLIP, TEE BAR	L 6
HS201E	102659-1	NPN, TO-3 MJ21194 PWR	G 5
HS201F	102659-1	NPN, TO-3 MJ21194 PWR	H 5
HS201G		OPEN	I 5
HS201H	131029-10604	SCR,#6-32X0.250 THREAD ROLL	G 4
HS201I	131029-10604	SCR,#6-32X0.250 THREAD ROLL	H 5
HS201J	131029-10604	SCR,#6-32X0.250 THREAD ROLL	H 4
HS201K	131029-10604	SCR,#6-32X0.250 THREAD ROLL	I 5
HS201L		OPEN	I 4
HS201M		OPEN	J 5
HS202	132644-4	HS, 3 X TO-3 ALUM EXT	D 4
HS202A	103415-70608	SCREW,6-32 X.5 TORX PNHD SEM	D 4
HS202B	103415-70608	SCREW,6-32 X.5 TORX PNHD SEM	D 6
HS202C	103415-70608	SCREW,6-32 X.5 TORX PNHD SEM	E 6
HS202D	133930-1	CLIP, TEE BAR	P 6
HS202E	102659-1	NPN, TO-3 MJ21194 PWR	C 5
HS202F	102659-1	NPN, TO-3 MJ21194 PWR	D 5
HS202G		OPEN	E 5
HS202H	131029-10604	SCR,#6-32X0.250 THREAD ROLL	C 4
HS202I	131029-10604	SCR,#6-32X0.250 THREAD ROLL	D 5
HS202J	131029-10604	SCR,#6-32X0.250 THREAD ROLL	D 4
HS202K	131029-10604	SCR,#6-32X0.250 THREAD ROLL	E 5
HS202L		OPEN	E 4
HS202M		OPEN	F 5
HW1	101016-1	LBL, BARCODE	Q 12
HW2	133379-1	BRACKET, BARRIER STRIP	M 15
HW3	A10019-16	6 X 32 PCB CAPTIVE NUT	B 6

HW4	A10019-16	6 X 32 PCB CAPTIVE NUT	B 7
HW5	132565-2	SILPAD, 1.0 X 15.2 W/ADHESIVE	P 6
HW6	101016-1	LBL, BARCODE	O 11
HW7	135894-1	TAPE, .06X1X.75" W/ADHESIVE	B 10
HW8	135894-1	TAPE, .06X1X.75" W/ADHESIVE	B 9
HW10	A10110-70808	8-32 X .5 PNHD PH TAPTITE BLK	L 15
HW11	A10110-70808	8-32 X .5 PNHD PH TAPTITE BLK	N 15
HW12	135520-2	TAPE, 3/8" ROUND KAPTON 2MIL	D 5
HW13	135520-2	TAPE, 3/8" ROUND KAPTON 2MIL	H 5
HW14	135520-2	TAPE, 3/8" ROUND KAPTON 2MIL	L 5
HW15	135520-2	TAPE, 3/8" ROUND KAPTON 2MIL	P 5
HW16	C 8812-7	TIE, CABLE 5.5" OR MORE 18 LB	I 3
HW17	C 8812-7	TIE, CABLE 5.5" OR MORE 18 LB	M 3
HW18	C 8812-7	TIE, CABLE 5.5" OR MORE 18 LB	O 2
HW19	C 8812-7	TIE, CABLE 5.5" OR MORE 18 LB	R 2
J1	134126-1	BB, 4P PC MNT 8-32 W/MNT ENDS	M 15
J2	132551-1	RECEPT, 8PIN VERT .1 CTRS SMD	O 1
J2A	139941-1	CBL, 20PIN 9" MOLDED PICO FLEX	I 12
J2B	139940-1	CBL, 18PIN 9" MOLDED PICO FLEX	I 11
J3	132551-1	RECEPT, 8PIN VERT .1 CTRS SMD	F 1
J900	101571-1	HDR, 2 POS .1 CTR MTA SHRD	K 10
J901	101571-1	HDR, 2 POS .1 CTR MTA SHRD	N 13
K900	C10335-5	RELAY 30A 24V T90 SEALED CE	C 11
L100	102470-1	INDUCTOR, 2.75UH 11A RADIAL	N 3
L200	102470-1	INDUCTOR, 2.75UH 11A RADIAL	H 3
L900	134514-1	CHOKER, COMMON MODE 1.5MH 11A	B 12
L901	132045-1	CHOKER, COMMON MODE	B 9
L902	127988-1	CHOKER, 10UH <0.1OHM SMT .3" DIA	G 7
L903	132046-2	INDUCTOR, 1.65UH	F 9
L904	127988-1	CHOKER, 10UH <0.1OHM SMT .3" DIA	F 7
L905	127988-1	CHOKER, 10UH <0.1OHM SMT .3" DIA	J 7
P2A	C10570-7	20 PIN HDR PICO FLEX TIN	I 15
PWB1	138530-3	PWB, CTS600/1200	A 1
Q1	C 7448-1	MMBT3904 CHIP NPN	N 12
Q2	138674-1	PRP, 133282-1/C9918-1 (TIP32C)	N 12
Q3	125798-1	XSTR,MMBT3906 LT3 10K REEL	C 2
Q4	125798-1	XSTR,MMBT3906 LT3 10K REEL	C 2
Q5	C 3810-6	MPSA42 300V NPN T/R	C 3
Q6	C 3954-2	MPSA56 80V PNP T/R	A 2
Q7	C 3954-2	MPSA56 80V PNP T/R	A 2
Q8	C 3954-2	MPSA56 80V PNP T/R	B 2
Q9	501972-1	MPSA92 300V PNP T/A	O 2
Q10	C 3528-4	MPSA06 80V NPN T/R	O 2
Q11	C 3528-4	MPSA06 80V NPN T/R	O 2
Q12	C 3528-4	MPSA06 80V NPN T/R	O 3
Q17	125798-1	XSTR,MMBT3906 LT3 10K REEL	F 10
Q18	125798-1	XSTR,MMBT3906 LT3 10K REEL	F 10
Q19	C10421-3	FET, 60V N-CH 2N7002LT1 SOT-23	F 10
Q20	C10421-3	FET, 60V N-CH 2N7002LT1 SOT-23	F 11
Q25	501972-1	MPSA92 300V PNP T/A	N 11
Q26	C 8104-9	MPSW92 300V 1 WATT PNP T/R	P 10
Q27	C 8104-9	MPSW92 300V 1 WATT PNP T/R	P 10
Q28	C 8103-1	MPSW42 300V 1 WATT NPN T/R	O 10
Q29	C 8103-1	MPSW42 300V 1 WATT NPN T/R	O 10
Q30	C 8104-9	MPSW92 300V 1 WATT PNP T/R	P 8
Q31	C 8104-9	MPSW92 300V 1 WATT PNP T/R	P 8
Q32	C 8103-1	MPSW42 300V 1 WATT NPN T/R	O 8
Q33	C 8103-1	MPSW42 300V 1 WATT NPN T/R	O 8
Q34	C 3954-2	MPSA56 80V PNP T/R	A 2

Q35	C 3528-4	MPSA06 80V NPN T/R	N 2
Q36	134833-1	FET, N-CH JFET 30V SOT-23	L 12
Q39	134833-1	FET, N-CH JFET 30V SOT-23	G 12
Q100	C 7448-1	MMBT3904 CHIP NPN	K 2
Q101	125798-1	XSTR,MMBT3906 LT3 10K REEL	L 2
Q102	125798-1	XSTR,MMBT3906 LT3 10K REEL	L 2
Q103	125798-1	XSTR,MMBT3906 LT3 10K REEL	L 2
Q104	125798-1	XSTR,MMBT3906 LT3 10K REEL	L 2
Q105	125798-1	XSTR,MMBT3906 LT3 10K REEL	L 2
Q106	C 7448-1	MMBT3904 CHIP NPN	K 12
Q107	125798-1	XSTR,MMBT3906 LT3 10K REEL	K 12
Q108	125798-1	XSTR,MMBT3906 LT3 10K REEL	F 2
Q109	125798-1	XSTR,MMBT3906 LT3 10K REEL	F 2
Q110	125798-1	XSTR,MMBT3906 LT3 10K REEL	F 2
Q111	C 8104-9	MPSW92 300V 1 WATT PNP T/R	P 10
Q112	C 3810-6	MPSA42 300V NPN T/R	P 9
Q113	501972-1	MPSA92 300V PNP T/A	O 9
Q115	136169-1	FORMED, 136167-1 (15032)	O 6
Q116	C 7448-1	MMBT3904 CHIP NPN	N 6
Q117	136170-1	FORMED, 136168-1	K 6
Q119	C 8103-1	MPSW42 300V 1 WATT NPN T/R	O 10
Q120	125798-1	XSTR,MMBT3906 LT3 10K REEL	N 2
Q200	C 7448-1	MMBT3904 CHIP NPN	K 2
Q201	125798-1	XSTR,MMBT3906 LT3 10K REEL	I 2
Q202	125798-1	XSTR,MMBT3906 LT3 10K REEL	I 2
Q203	125798-1	XSTR,MMBT3906 LT3 10K REEL	I 2
Q204	125798-1	XSTR,MMBT3906 LT3 10K REEL	I 2
Q205	125798-1	XSTR,MMBT3906 LT3 10K REEL	I 2
Q206	C 7448-1	MMBT3904 CHIP NPN	G 12
Q207	125798-1	XSTR,MMBT3906 LT3 10K REEL	G 12
Q208	125798-1	XSTR,MMBT3906 LT3 10K REEL	G 2
Q209	125798-1	XSTR,MMBT3906 LT3 10K REEL	G 2
Q210	125798-1	XSTR,MMBT3906 LT3 10K REEL	G 2
Q211	C 8104-9	MPSW92 300V 1 WATT PNP T/R	P 8
Q212	C 3810-6	MPSA42 300V NPN T/R	O 8
Q213	501972-1	MPSA92 300V PNP T/A	O 8
Q215	136169-1	FORMED, 136167-1 (15032)	G 6
Q216	C 7448-1	MMBT3904 CHIP NPN	G 6
Q218	136170-1	FORMED, 136168-1	C 6
Q219	C 8103-1	MPSW42 300V 1 WATT NPN T/R	O 8
Q220	125798-1	XSTR,MMBT3906 LT3 10K REEL	O 2
Q500	501972-1	MPSA92 300V PNP T/A	G 3
Q600	501972-1	MPSA92 300V PNP T/A	F 3
Q605	125798-1	XSTR,MMBT3906 LT3 10K REEL	N 12
Q900	131047-1	TRANSISTOR, KSA1298 PNP SOT-23	D 11
Q901	C 7448-1	MMBT3904 CHIP NPN	E 11
Q902	C 7448-1	MMBT3904 CHIP NPN	D 12
Q903	C 7448-1	MMBT3904 CHIP NPN	D 11
Q904	C 7448-1	MMBT3904 CHIP NPN	D 11
Q905	137218-1	SCR, 12A MCR12DSN DPAK 369A	A 7
Q906	C 7448-1	MMBT3904 CHIP NPN	D 11
Q907	C 7448-1	MMBT3904 CHIP NPN	D 11
Q908	C 3810-6	MPSA42 300V NPN T/R	B 7
Q909	C 7448-1	MMBT3904 CHIP NPN	E 12
Q910	125798-1	XSTR,MMBT3906 LT3 10K REEL	E 11
Q911	138677-1	PRP, 137921-1 (20N60A4D) .350	H 8
Q911A	134233-2	HEATSINK, DUAL TO-247 CHIEF	G 9
Q911B	134234-2	CLIP, 2 FINGER STAINLESS	H 9
Q911C	103415-10605	SCR, #6-32X.312 SEMS TFS CONE	H 9

Q911D	103415-10605	SCR, #6-32X.312 SEMS TFS CONE	H 8
Q911E	D 8958-7	INS, CERAMIC .90 X .75 X .040	H 9
Q911F	134882-1	FOAM, 0.4X 0.25 W/ADHESIVE	G 9
Q912	138677-1	PRP, 137921-1 (20N60A4D) .350	G 9
Q912A	134233-2	HEATSINK, DUAL TO-247 CHIEF	I 9
Q912B	134234-2	CLIP, 2 FINGER STAINLESS	G 9
Q912C	103415-10605	SCR, #6-32X.312 SEMS TFS CONE	G 9
Q912D	103415-10605	SCR, #6-32X.312 SEMS TFS CONE	G 8
Q912E	D 8958-7	INS, CERAMIC .90 X .75 X .040	G 9
R1	A11368-20011	2.0K, 0.10W 1% MF 0805	H 11
R2	A11368-10041	1M OHM .1W 1% CHIP 0805	H 11
R3	A11368-10041	1M OHM .1W 1% CHIP 0805	H 11
R4	A11368-10041	1M OHM .1W 1% CHIP 0805	H 11
R5	A11368-10021	10K 1/10W 1% SMD 0805 T/R	N 11
R6	A11368-49911	4.99K 1/10W 1% SMD 0805 T/R	N 11
R7	A11368-49911	4.99K 1/10W 1% SMD 0805 T/R	N 12
R9	132556-1	RES, 0.68 OHM 5% 2W RADIAL	N 12
R10	A11368-78711	7.87K OHM 0.10W 1% 0805 T/R	B 2
R11	A11368-10021	10K 1/10W 1% SMD 0805 T/R	B 2
R12	A11368-18721	18.7KOHM 0.10W 1% SMT 0805	B 2
R13	A11368-10031	100.KOHM .1W 1% CHIP 0805	B 2
R14	A11368-39231	392 KOHM .1W 1% 0805 T/R	C 2
R15	A11368-20021	20.KOHM .1W 1% CHIP 0805	C 1
R16	A11368-10031	100.KOHM .1W 1% CHIP 0805	C 2
R17	A11368-10021	10K 1/10W 1% SMD 0805 T/R	C 1
R18	A11368-49921	49.9KOHM .1W 1% CHIP 0805	C 2
R19	A11371-5614	560 OHM .5W 5% 2010 SMD	C 2
R20	A11368-10011	1.KOHM .1W 1% CHIP 0805	C 2
R21	A11371-0R02	0. OHM .125W 5% CHIP RES T/R	I 11
R22	A11371-1105	11 OHM 1W 5% 2512 T/R	I 11
R23	A11368-14021	14KOHM .1W 1% 0805 T/R	N 12
R24	A11368-10011	1.KOHM .1W 1% CHIP 0805	N 12
R25	A11368-30121	30.1K, 0.10W 1% MF 0805	C 2
R26	A11368-20011	2.0K, 0.10W 1% MF 0805	N 12
R27	A11368-10031	100.KOHM .1W 1% CHIP 0805	N 12
R28	A11368-10021	10K 1/10W 1% SMD 0805 T/R	N 12
R30	A11368-40212	4.02KOHM .125W 1% CHIP RES T/R	B 2
R31	A11368-40212	4.02KOHM .125W 1% CHIP RES T/R	B 2
R32	A11368-40212	4.02KOHM .125W 1% CHIP RES T/R	B 2
R33	A11368-10021	10K 1/10W 1% SMD 0805 T/R	C 2
R34	A11368-40212	4.02KOHM .125W 1% CHIP RES T/R	N 2
R35	A11368-40212	4.02KOHM .125W 1% CHIP RES T/R	O 2
R36	A11368-40212	4.02KOHM .125W 1% CHIP RES T/R	O 2
R37	A11368-10021	10K 1/10W 1% SMD 0805 T/R	O 2
R39	A11368-10012	1. KOHM .125W 1% CHIP RES T/R	I 9
R40	A11368-10012	1. KOHM .125W 1% CHIP RES T/R	G 9
R43	A11371-5R63	5.6 OHM .25W 5% 1210 T/R	H 9
R44	A11371-5R63	5.6 OHM .25W 5% 1210 T/R	G 9
R45	A11368-49901	499 OHM .1W 1% 0805 T/R	E 10
R46	A11368-23201	232OHM .1W 1% 0805 T/R	E 10
R47	A11368-23201	232OHM .1W 1% 0805 T/R	E 10
R48	A11368-15031	150K 1/10W 1% SMD 0805 T/R	F 10
R49	A11368-15031	150K 1/10W 1% SMD 0805 T/R	F 10
R50	A11368-15021	15.0K, 0.10W 1% MF 0805	F 10
R51	A11368-49901	499 OHM .1W 1% 0805 T/R	E 10
R52	A11368-10011	1.KOHM .1W 1% CHIP 0805	F 10
R53	A11368-36531	RES, 365 KOHM 1% .1W 0805	F 11
R54	A11368-68121	68.1KOHM 0.1W 1% CHIP 0805	F 11
R55	A11368-10021	10K 1/10W 1% SMD 0805 T/R	F 11

R56	A11368-36531	RES, 365 KOHM 1% .1W 0805	F 10
R57	A11368-68121	68.1KOHM 0.1W 1% CHIP 0805	F 10
R58	A11368-10021	10K 1/10W 1% SMD 0805 T/R	F 11
R59	A11368-10R01	10 OHM .1W 1% 0805 T/R	F 11
R60	A11368-10021	10K 1/10W 1% SMD 0805 T/R	F 11
R61	A11368-75011	7.50K .10W 1% CHIP 0805	E 11
R62	A11368-10021	10K 1/10W 1% SMD 0805 T/R	F 10
R63	A11368-10021	10K 1/10W 1% SMD 0805 T/R	F 11
R64	A11368-10021	10K 1/10W 1% SMD 0805 T/R	E 11
R65	A11368-10021	10K 1/10W 1% SMD 0805 T/R	E 11
R66	A11368-49921	49.9KOHM .1W 1% CHIP 0805	F 10
R67	A11368-68121	68.1KOHM 0.1W 1% CHIP 0805	F 10
R70	A11368-1R004	1 OHM 0.5W 1% 2010 T/R	H 10
R72	A11368-10021	10K 1/10W 1% SMD 0805 T/R	F 10
R73	A11368-76811	7.68KOHM 0.10W 1% SMT 0805	F 10
R74	A11368-39221	39.2KOHM .1W 1% 0805 T/R	F 10
R75	A11368-49921	49.9KOHM .1W 1% CHIP 0805	F 10
R76	A11368-26721	26.7KOHM .1W 1% 0805 T/R	G 10
R77	A11368-20031	200K 0.1W 1% SMD CHIP 0805	G 11
R79	A11368-10021	10K 1/10W 1% SMD 0805 T/R	G 10
R80	A11368-10021	10K 1/10W 1% SMD 0805 T/R	G 10
R82	A11368-49921	49.9KOHM .1W 1% CHIP 0805	G 10
R83	A11368-10021	10K 1/10W 1% SMD 0805 T/R	M 12
R84	A11368-20021	20.KOHM .1W 1% CHIP 0805	M 12
R85	A11368-49931	499KOHM .1W 1% 0805 T/R	M 12
R86	A11368-49931	499KOHM .1W 1% 0805 T/R	M 12
R87	A11368-49911	4.99K 1/10W 1% SMD 0805 T/R	E 11
R88	A11368-23721	23.7K .10W 1% CHIP 0805	E 11
R89	A11368-30121	30.1K, 0.10W 1% MF 0805	E 12
R90	A11368-10011	1.KOHM .1W 1% CHIP 0805	I 14
R91	A11368-49921	49.9KOHM .1W 1% CHIP 0805	I 13
R92	A11368-10021	10K 1/10W 1% SMD 0805 T/R	I 14
R93	A11368-10031	100.KOHM .1W 1% CHIP 0805	M 11
R94	A11368-49911	4.99K 1/10W 1% SMD 0805 T/R	M 12
R95	A11368-10021	10K 1/10W 1% SMD 0805 T/R	M 12
R96	A11368-20021	20.KOHM .1W 1% CHIP 0805	M 11
R97	A11368-40212	4.02KOHM .125W 1% CHIP RES T/R	M 12
R98	A11368-10021	10K 1/10W 1% SMD 0805 T/R	M 1
R99	A11368-20021	20.KOHM .1W 1% CHIP 0805	M 2
R100	A11368-40212	4.02KOHM .125W 1% CHIP RES T/R	I 13
R101	A11368-40212	4.02KOHM .125W 1% CHIP RES T/R	I 13
R102	A11368-10011	1.KOHM .1W 1% CHIP 0805	J 13
R103	A11368-10011	1.KOHM .1W 1% CHIP 0805	J 13
R104	A11368-49911	4.99K 1/10W 1% SMD 0805 T/R	J 13
R105	A11368-49911	4.99K 1/10W 1% SMD 0805 T/R	J 13
R106	A11368-49911	4.99K 1/10W 1% SMD 0805 T/R	J 12
R107	A11368-24911	2.49K 1/10W 1% SMD 0805 T/R	I 12
R108	A11368-10041	1M OHM .1W 1% CHIP 0805	K 2
R109	A11368-10041	1M OHM .1W 1% CHIP 0805	K 13
R110	A11368-49921	49.9KOHM .1W 1% CHIP 0805	J 12
R111	A11368-20031	200K 0.1W 1% SMD CHIP 0805	K 12
R112	A11368-49921	49.9KOHM .1W 1% CHIP 0805	K 12
R113	A11368-24921	24.9K 1/10W 1% SMD 0805 T/R	K 2
R114	A11371-1105	11 OHM 1W 5% 2512 T/R	N 3
R115	A11368-61901	619.OHM 1/10W 1% SMD 0805 T/R	K 2
R116	A11368-29421	29.4 KOHM .1W 1% 0805 T/R	J 13
R117	A11368-22121	22.1K 0.10W 1% CHIP 0805	J 13
R118	A11368-14721	14.7 KOHM .1W 1% 0805	J 13
R119	130657-2	POT, 5K LINEAR HORIZ ws	J 12

R120	A11368-22121	22.1K 0.10W 1% CHIP 0805	J 13
R121	A11368-49911	4.99K 1/10W 1% SMD 0805 T/R	J 14
R122	A11368-49911	4.99K 1/10W 1% SMD 0805 T/R	J 13
R123	A11368-11021	11K 0.1W 1% 0805 T/R	M 2
R124	A11368-10031	100.KOHM .1W 1% CHIP 0805	L 2
R125	A11368-42201	422 OHM 0.1W 1% 0805 T/R	L 2
R126	A11368-20021	20.KOHM .1W 1% CHIP 0805	L 2
R127	A11371-5614	560 OHM .5W 5% 2010 SMD	L 1
R128	A11368-10021	10K 1/10W 1% SMD 0805 T/R	K 13
R129	A11368-10031	100.KOHM .1W 1% CHIP 0805	J 12
R130	A11368-20011	2.0K, 0.10W 1% MF 0805	J 12
R131	A11368-10031	100.KOHM .1W 1% CHIP 0805	K 12
R132	A11368-20011	2.0K, 0.10W 1% MF 0805	K 12
R133	A11368-49922	49.9KOHM .125W 1% CHIP RES T/R	N 2
R134	A11368-49922	49.9KOHM .125W 1% CHIP RES T/R	N 2
R135	A11368-42221	42.2KOHM .10W 1% MF 0805	N 1
R136	A11368-23721	23.7K .10W 1% CHIP 0805	N 1
R137	A11368-10041	1M OHM .1W 1% CHIP 0805	M 2
R138	A11368-10041	1M OHM .1W 1% CHIP 0805	M 1
R139	A11368-39231	392 KOHM .1W 1% 0805 T/R	M 2
R140	A11368-39231	392 KOHM .1W 1% 0805 T/R	M 2
R141	A11368-20021	20.KOHM .1W 1% CHIP 0805	L 2
R142	A11368-20021	20.KOHM .1W 1% CHIP 0805	L 2
R143	A11368-20031	200K 0.1W 1% SMD CHIP 0805	K 2
R144	A11368-20031	200K 0.1W 1% SMD CHIP 0805	K 2
R145	A11368-20031	200K 0.1W 1% SMD CHIP 0805	K 2
R146	A11368-44221	44.2K 0.1W 1% 0805 T/R	M 2
R147	A11368-10041	1M OHM .1W 1% CHIP 0805	M 2
R148	A11368-20021	20.KOHM .1W 1% CHIP 0805	L 2
R149	A11368-49921	49.9KOHM .1W 1% CHIP 0805	N 6
R150	A11368-49921	49.9KOHM .1W 1% CHIP 0805	N 6
R152	A11368-20031	200K 0.1W 1% SMD CHIP 0805	M 2
R153	A11368-20021	20.KOHM .1W 1% CHIP 0805	L 2
R154	A11368-10031	100.KOHM .1W 1% CHIP 0805	J 2
R155	A11368-10031	100.KOHM .1W 1% CHIP 0805	J 2
R156	A11368-47504	475 OHM .5W 1% 2010 T/R	L 2
R157	A11368-49931	499KOHM .1W 1% 0805 T/R	J 2
R158	A11368-24921	24.9K 1/10W 1% SMD 0805 T/R	J 2
R159	A11368-75021	75K 1/10W 1% SMD 0805 T/R	J 2
R160	A11368-44221	44.2K 0.1W 1% 0805 T/R	J 2
R161	A11368-75021	75K 1/10W 1% SMD 0805 T/R	K 13
R162	A11368-10021	10K 1/10W 1% SMD 0805 T/R	L 13
R163	A11368-10041	1M OHM .1W 1% CHIP 0805	K 13
R164	A11368-49931	499KOHM .1W 1% 0805 T/R	L 13
R165	A11368-49931	499KOHM .1W 1% 0805 T/R	L 11
R166	A11368-14021	14KOHM .1W 1% 0805 T/R	M 2
R167	A11368-10011	1.KOHM .1W 1% CHIP 0805	M 2
R168	A11368-35721	35.7 KOHM 0.1W 1% 0805 T/R	L 13
R169	A11368-10031	100.KOHM .1W 1% CHIP 0805	L 12
R170	A11368-10021	10K 1/10W 1% SMD 0805 T/R	K 12
R171	A11368-10031	100.KOHM .1W 1% CHIP 0805	G 12
R172	A11368-18231	182 KOHM 1% 0.10W 0805	J 13
R173	A11368-24911	2.49K 1/10W 1% SMD 0805 T/R	J 14
R174	A11368-10021	10K 1/10W 1% SMD 0805 T/R	J 14
R175	A11368-10021	10K 1/10W 1% SMD 0805 T/R	J 13
R176	A11368-24911	2.49K 1/10W 1% SMD 0805 T/R	K 12
R177	A11368-12421	12.4K 1/10W 1% SMD 0805 T/R	K 12
R178	A11368-24911	2.49K 1/10W 1% SMD 0805 T/R	K 12
R183	A11368-24924	24.9KOHM .5W 1% 2010 T/R	K 11

R184	A11368-24924	24.9KOHM .5W 1% 2010 T/R	K 11
R185	A11368-24911	2.49K 1/10W 1% SMD 0805 T/R	K 12
R186	A11368-20011	2.0K, 0.10W 1% MF 0805	K 12
R187	A11368-10021	10K 1/10W 1% SMD 0805 T/R	K 11
R188	A11368-10011	1.KOHM .1W 1% CHIP 0805	K 12
R189	A11368-10011	1.KOHM .1W 1% CHIP 0805	K 12
R190	A11368-10021	10K 1/10W 1% SMD 0805 T/R	K 11
R191	A11368-10011	1.KOHM .1W 1% CHIP 0805	K 12
R192	A11368-10011	1.KOHM .1W 1% CHIP 0805	K 12
R193	A11368-10021	10K 1/10W 1% SMD 0805 T/R	K 12
R194	A11368-10021	10K 1/10W 1% SMD 0805 T/R	J 12
R195	A11368-10021	10K 1/10W 1% SMD 0805 T/R	K 12
R196	A11368-10021	10K 1/10W 1% SMD 0805 T/R	K 11
R197	A11368-26721	26.7KOHM .1W 1% 0805 T/R	J 12
R198	A11368-10021	10K 1/10W 1% SMD 0805 T/R	J 12
R199	A11368-49911	4.99K 1/10W 1% SMD 0805 T/R	J 12
R200	A11368-40212	4.02KOHM .125W 1% CHIP RES T/R	I 13
R201	A11368-40212	4.02KOHM .125W 1% CHIP RES T/R	I 13
R202	A11368-10011	1.KOHM .1W 1% CHIP 0805	I 13
R203	A11368-10011	1.KOHM .1W 1% CHIP 0805	I 13
R204	A11368-49911	4.99K 1/10W 1% SMD 0805 T/R	H 13
R205	A11368-49911	4.99K 1/10W 1% SMD 0805 T/R	I 13
R206	A11368-49911	4.99K 1/10W 1% SMD 0805 T/R	H 12
R207	A11368-24911	2.49K 1/10W 1% SMD 0805 T/R	I 12
R208	A11368-10041	1M OHM .1W 1% CHIP 0805	J 2
R209	A11368-10041	1M OHM .1W 1% CHIP 0805	G 13
R210	A11368-49921	49.9KOHM .1W 1% CHIP 0805	G 12
R211	A11368-20031	200K 0.1W 1% SMD CHIP 0805	H 12
R212	A11368-49921	49.9KOHM .1W 1% CHIP 0805	H 12
R213	A11368-24921	24.9K 1/10W 1% SMD 0805 T/R	K 2
R214	A11371-1105	11 OHM 1W 5% 2512 T/R	H 3
R215	A11368-61901	619.OHM 1/10W 1% SMD 0805 T/R	J 2
R216	A11368-29421	29.4 KOHM .1W 1% 0805 T/R	H 13
R217	A11368-22121	22.1K 0.10W 1% CHIP 0805	H 13
R218	A11368-14721	14.7 KOHM .1W 1% 0805	H 13
R219	130657-2	POT, 5K LINEAR HORIZ ws	H 12
R220	A11368-22121	22.1K 0.10W 1% CHIP 0805	H 13
R221	132556-1	RES, 0.68 OHM 5% 2W RADIAL	O 12
R222	A11368-15021	15.0K, 0.10W 1% MF 0805	F 11
R223	A11368-11021	11K 0.1W 1% 0805 T/R	I 1
R224	A11368-10031	100.KOHM .1W 1% CHIP 0805	I 2
R225	A11368-42201	422 OHM 0.1W 1% 0805 T/R	I 2
R226	A11368-20021	20.KOHM .1W 1% CHIP 0805	I 2
R227	A11371-5614	560 OHM .5W 5% 2010 SMD	I 2
R228	A11368-10021	10K 1/10W 1% SMD 0805 T/R	H 13
R229	A11368-10031	100.KOHM .1W 1% CHIP 0805	G 12
R230	A11368-20011	2.0K, 0.10W 1% MF 0805	G 12
R231	A11368-10031	100.KOHM .1W 1% CHIP 0805	H 12
R232	A11368-20011	2.0K, 0.10W 1% MF 0805	H 12
R233	A11368-49922	49.9KOHM .125W 1% CHIP RES T/R	G 2
R234	A11368-49922	49.9KOHM .125W 1% CHIP RES T/R	G 1
R235	A11368-42221	42.2KOHM .10W 1% MF 0805	G 1
R236	A11368-23721	23.7K .10W 1% CHIP 0805	H 1
R237	A11368-10041	1M OHM .1W 1% CHIP 0805	H 2
R238	A11368-10041	1M OHM .1W 1% CHIP 0805	G 2
R239	A11368-39231	392 KOHM .1W 1% 0805 T/R	H 2
R240	A11368-39231	392 KOHM .1W 1% 0805 T/R	G 2
R241	A11368-20021	20.KOHM .1W 1% CHIP 0805	I 2
R242	A11368-20021	20.KOHM .1W 1% CHIP 0805	I 2

R243	A11368-20031	200K 0.1W 1% SMD CHIP 0805	K 2
R244	A11368-20031	200K 0.1W 1% SMD CHIP 0805	K 2
R245	A11368-20031	200K 0.1W 1% SMD CHIP 0805	J 2
R246	A11368-44221	44.2K 0.1W 1% 0805 T/R	H 2
R247	A11368-10041	1M OHM .1W 1% CHIP 0805	H 2
R248	A11368-20021	20.KOHM .1W 1% CHIP 0805	I 2
R249	A11368-49921	49.9KOHM .1W 1% CHIP 0805	G 6
R250	A11368-49921	49.9KOHM .1W 1% CHIP 0805	G 6
R252	A11368-20031	200K 0.1W 1% SMD CHIP 0805	H 2
R253	A11368-20021	20.KOHM .1W 1% CHIP 0805	I 2
R254	A11368-10031	100.KOHM .1W 1% CHIP 0805	J 2
R255	A11368-10031	100.KOHM .1W 1% CHIP 0805	J 2
R256	A11368-47504	475 OHM .5W 1% 2010 T/R	I 1
R257	A11368-49931	499KOHM .1W 1% 0805 T/R	J 2
R258	A11368-24921	24.9K 1/10W 1% SMD 0805 T/R	J 2
R259	A11368-75021	75K 1/10W 1% SMD 0805 T/R	J 2
R260	A11368-44221	44.2K 0.1W 1% 0805 T/R	J 2
R261	A11368-75021	75K 1/10W 1% SMD 0805 T/R	G 13
R262	A11368-10021	10K 1/10W 1% SMD 0805 T/R	G 13
R263	A11368-10041	1M OHM .1W 1% CHIP 0805	F 13
R264	A11368-49931	499KOHM .1W 1% 0805 T/R	F 13
R265	A11368-49931	499KOHM .1W 1% 0805 T/R	G 11
R266	A11368-14021	14KOHM .1W 1% 0805 T/R	H 2
R267	A11368-10011	1.KOHM .1W 1% CHIP 0805	H 2
R268	A11368-35721	35.7 KOHM 0.1W 1% 0805 T/R	G 13
R270	A11368-10021	10K 1/10W 1% SMD 0805 T/R	G 12
R272	A11368-18231	182 KOHM 1% 0.10W 0805	H 13
R273	A11368-24911	2.49K 1/10W 1% SMD 0805 T/R	H 14
R274	A11368-10021	10K 1/10W 1% SMD 0805 T/R	H 14
R275	A11368-10021	10K 1/10W 1% SMD 0805 T/R	H 13
R276	A11368-24911	2.49K 1/10W 1% SMD 0805 T/R	H 12
R277	A11368-12421	12.4K 1/10W 1% SMD 0805 T/R	H 12
R278	A11368-24911	2.49K 1/10W 1% SMD 0805 T/R	G 12
R283	A11368-24924	24.9KOHM .5W 1% 2010 T/R	G 11
R284	A11368-24924	24.9KOHM .5W 1% 2010 T/R	G 11
R285	A11368-24911	2.49K 1/10W 1% SMD 0805 T/R	G 12
R286	A11368-20011	2.0K, 0.10W 1% MF 0805	G 12
R287	A11368-10021	10K 1/10W 1% SMD 0805 T/R	H 11
R288	A11368-10011	1.KOHM .1W 1% CHIP 0805	G 12
R289	A11368-10011	1.KOHM .1W 1% CHIP 0805	G 12
R290	A11368-10021	10K 1/10W 1% SMD 0805 T/R	H 11
R291	A11368-10011	1.KOHM .1W 1% CHIP 0805	G 12
R292	A11368-10011	1.KOHM .1W 1% CHIP 0805	G 12
R293	A11368-10021	10K 1/10W 1% SMD 0805 T/R	H 12
R294	A11368-10021	10K 1/10W 1% SMD 0805 T/R	H 12
R295	A11368-10021	10K 1/10W 1% SMD 0805 T/R	H 12
R296	A11368-10021	10K 1/10W 1% SMD 0805 T/R	H 11
R297	A11368-26721	26.7KOHM .1W 1% 0805 T/R	H 12
R298	A11368-10021	10K 1/10W 1% SMD 0805 T/R	H 12
R299	A11368-49911	4.99K 1/10W 1% SMD 0805 T/R	H 12
R300	A11368-22121	22.1K 0.10W 1% CHIP 0805	J 11
R301	A11368-49911	4.99K 1/10W 1% SMD 0805 T/R	J 12
R302	A11368-20021	20.KOHM .1W 1% CHIP 0805	N 12
R303	A11368-12131	121KOHM, 0.10W 1% CHIP 0805	M 13
R304	A11368-10021	10K 1/10W 1% SMD 0805 T/R	N 13
R305	A11368-20021	20.KOHM .1W 1% CHIP 0805	M 12
R306	A11368-10031	100.KOHM .1W 1% CHIP 0805	M 12
R307	A11368-10011	1.KOHM .1W 1% CHIP 0805	M 12
R308	A11368-34011	3.4K 0.10W 1% MF 0805	F 2

R309	A11368-34011	3.4K 0.10W 1% MF 0805	F 2
R310	A11368-20021	20.KOHM .1W 1% CHIP 0805	F 2
R311	A11368-20021	20.KOHM .1W 1% CHIP 0805	F 2
R312	A11368-49921	49.9KOHM .1W 1% CHIP 0805	F 2
R313	C10447-8	100.KOHM TOP ADJ TRIMMER T/R	F 2
R314	A11368-82521	82.5K 0.10W 1%CHIP 0805	F 2
R315	A11368-82521	82.5K 0.10W 1%CHIP 0805	F 2
R316	A11368-71531	715K 0.1W 1% 0805 T/R	F 1
R317	C10447-8	100.KOHM TOP ADJ TRIMMER T/R	F 1
R318	A11368-68131	681KOHM .1W 1% 0805 T/R	D 2
R319	A11368-10031	100.KOHM .1W 1% CHIP 0805	D 2
R320	A11368-20031	200K 0.1W 1% SMD CHIP 0805	D 2
R321	A11368-20031	200K 0.1W 1% SMD CHIP 0805	D 2
R322	A11368-68111	6.81K 0.10W 1% CHIP 0805	F 2
R323	A11368-68111	6.81K 0.10W 1% CHIP 0805	F 2
R324	A11368-20021	20.KOHM .1W 1% CHIP 0805	F 2
R325	A11368-20021	20.KOHM .1W 1% CHIP 0805	F 2
R326	A11368-22111	2.21KOHM .1W 1% CHIP 0805	E 2
R327	A11368-30931	RES, 309K OHM 1% 0.10W 0805	F 2
R328	A11368-64901	RES, 649 OHM 1% 0.1W SMT 0805	P 10
R329	A11368-10001	100 OHM 1% 0805 RES T/R	P 10
R330	132556-1	RES, 0.68 OHM 5% 2W RADIAL	O 3
R331	132556-1	RES, 0.68 OHM 5% 2W RADIAL	P 3
R332	132556-1	RES, 0.68 OHM 5% 2W RADIAL	P 3
R333	132556-1	RES, 0.68 OHM 5% 2W RADIAL	Q 3
R334		OPEN	Q 3
R335		OPEN	R 3
R336	A11368-49911	4.99K 1/10W 1% SMD 0805 T/R	P 9
R337	A11368-75001	750 OHM .1 1% 0805 T/R	Q 8
R338	A11368-75001	750 OHM .1 1% 0805 T/R	Q 8
R339	A11368-49911	4.99K 1/10W 1% SMD 0805 T/R	P 9
R340	A11368-15023	15KOHM .25W 1% 1210 SMT T/R	P 8
R341	A11368-15023	15KOHM .25W 1% 1210 SMT T/R	P 7
R342	A11368-51R11	51.1 OHM 0.1W 1% MF 0805	O 7
R343	A11368-18211	1.82KOHM .1W 1% 0805 T/R	O 7
R344	A11368-64901	RES, 649 OHM 1% 0.1W SMT 0805	O 7
R345	C10613-5	1 KOHM TOP ADJUST TRIMMER T/R	N 7
R346	A11368-10021	10K 1/10W 1% SMD 0805 T/R	O 7
R347	A11368-33R24	33.2 OHM .5W 1% 2010 T/R	O 6
R348	132556-1	RES, 0.68 OHM 5% 2W RADIAL	P 7
R349	132556-1	RES, 0.68 OHM 5% 2W RADIAL	P 7
R350	132556-1	RES, 0.68 OHM 5% 2W RADIAL	P 7
R351	132556-1	RES, 0.68 OHM 5% 2W RADIAL	P 7
R352		OPEN	P 7
R353		OPEN	Q 7
R354	A11368-10021	10K 1/10W 1% SMD 0805 T/R	M 7
R355	132556-1	RES, 0.68 OHM 5% 2W RADIAL	L 7
R356	132556-1	RES, 0.68 OHM 5% 2W RADIAL	L 7
R357	132556-1	RES, 0.68 OHM 5% 2W RADIAL	M 7
R358	132556-1	RES, 0.68 OHM 5% 2W RADIAL	M 7
R359		OPEN	L 7
R360		OPEN	M 7
R361	A11368-33R22	33.2 OHM .125W 1% 1206 T/R	K 7
R362	A11368-33R24	33.2 OHM .5W 1% 2010 T/R	K 7
R363		OPEN	O 3
R364	A11368-34011	3.4K 0.10W 1% MF 0805	O 3
R365	A11368-34011	3.4K 0.10W 1% MF 0805	O 3
R366	A11368-64901	RES, 649 OHM 1% 0.1W SMT 0805	O 10
R367	A11368-10001	100 OHM 1% 0805 RES T/R	O 10

R368	132556-1	RES, 0.68 OHM 5% 2W RADIAL	K 3
R369	132556-1	RES, 0.68 OHM 5% 2W RADIAL	K 3
R370	132556-1	RES, 0.68 OHM 5% 2W RADIAL	K 3
R371	132556-1	RES, 0.68 OHM 5% 2W RADIAL	L 3
R372		OPEN	L 3
R373		OPEN	M 3
R374	A11368-34011	3.4K 0.10W 1% MF 0805	N 2
R375	A11368-34011	3.4K 0.10W 1% MF 0805	N 2
R376	A11368-30931	RES, 309K OHM 1% 0.10W 0805	N 1
R377	A11368-22111	2.21KOHM .1W 1% CHIP 0805	N 1
R378	A11368-51111	5.11KOHM .1W 1% 0805 T/R	N 2
R379	C10447-8	100.KOHM TOP ADJ TRIMMER T/R	N 2
R380	A11368-93121	RES, 93.1K 1% 0.1W SMT 0805	N 2
R381	A11368-93121	RES, 93.1K 1% 0.1W SMT 0805	N 2
R382	A11368-49921	49.9KOHM .1W 1% CHIP 0805	N 2
R383	A11368-68111	6.81K 0.10W 1% CHIP 0805	N 1
R384	A11368-20021	20.KOHM .1W 1% CHIP 0805	N 2
R385	A11368-20021	20.KOHM .1W 1% CHIP 0805	N 2
R386	A11368-68131	681KOHM .1W 1% 0805 T/R	P 2
R387	A11368-10031	100.KOHM .1W 1% CHIP 0805	P 2
R388	A11368-20031	200K 0.1W 1% SMD CHIP 0805	P 2
R389	A11368-20031	200K 0.1W 1% SMD CHIP 0805	P 2
R390	A11368-71531	715K 0.1W 1% 0805 T/R	N 1
R391	C10447-8	100.KOHM TOP ADJ TRIMMER T/R	N 1
R392		OPEN	O 3
R393	A11368-17421	17.4KOHM .1W 1% 0805 T/R	O 3
R394	A11368-17421	17.4KOHM .1W 1% 0805 T/R	O 3
R395	A11371-1105	11 OHM 1W 5% 2512 T/R	N 3
R396		OPEN	K 7
R397	A11368-10001	100 OHM 1% 0805 RES T/R	N 15
R398	A11368-10031	100.KOHM .1W 1% CHIP 0805	J 2
R400	A11368-22121	22.1K 0.10W 1% CHIP 0805	H 11
R401	A11368-49911	4.99K 1/10W 1% SMD 0805 T/R	H 12
R402	A11368-20021	20.KOHM .1W 1% CHIP 0805	L 12
R403	A11368-12131	121KOHM, 0.10W 1% CHIP 0805	L 13
R404	A11368-10021	10K 1/10W 1% SMD 0805 T/R	L 13
R405	A11368-20021	20.KOHM .1W 1% CHIP 0805	M 12
R406	A11368-10031	100.KOHM .1W 1% CHIP 0805	L 12
R407	A11368-10011	1.KOHM .1W 1% CHIP 0805	L 12
R408	A11368-34011	3.4K 0.10W 1% MF 0805	G 2
R409	A11368-34011	3.4K 0.10W 1% MF 0805	G 2
R410	A11368-20021	20.KOHM .1W 1% CHIP 0805	G 2
R411	A11368-20021	20.KOHM .1W 1% CHIP 0805	G 2
R412	A11368-49921	49.9KOHM .1W 1% CHIP 0805	G 2
R413	C10447-8	100.KOHM TOP ADJ TRIMMER T/R	F 2
R414	A11368-82521	82.5K 0.10W 1%CHIP 0805	G 2
R415	A11368-82521	82.5K 0.10W 1%CHIP 0805	G 2
R416	A11368-71531	715K 0.1W 1% 0805 T/R	G 1
R417	C10447-8	100.KOHM TOP ADJ TRIMMER T/R	G 1
R418	A11368-68131	681KOHM .1W 1% 0805 T/R	E 2
R419	A11368-10031	100.KOHM .1W 1% CHIP 0805	E 2
R420	A11368-20031	200K 0.1W 1% SMD CHIP 0805	E 2
R421	A11368-20031	200K 0.1W 1% SMD CHIP 0805	E 2
R422	A11368-68111	6.81K 0.10W 1% CHIP 0805	F 2
R423	A11368-68111	6.81K 0.10W 1% CHIP 0805	F 2
R424	A11368-20021	20.KOHM .1W 1% CHIP 0805	G 2
R425	A11368-20021	20.KOHM .1W 1% CHIP 0805	F 2
R426	A11368-22111	2.21KOHM .1W 1% CHIP 0805	F 2
R427	A11368-30931	RES, 309K OHM 1% 0.10W 0805	G 2

R428	A11368-64901	RES, 649 OHM 1% 0.1W SMT 0805	O 7
R429	A11368-10001	100 OHM 1% 0805 RES T/R	P 8
R430	132556-1	RES, 0.68 OHM 5% 2W RADIAL	G 3
R431	132556-1	RES, 0.68 OHM 5% 2W RADIAL	H 3
R432	132556-1	RES, 0.68 OHM 5% 2W RADIAL	I 3
R433	132556-1	RES, 0.68 OHM 5% 2W RADIAL	I 3
R434		OPEN	I 3
R435		OPEN	I 3
R436	A11368-49911	4.99K 1/10W 1% SMD 0805 T/R	O 9
R437	A11368-75001	750 OHM .1 1% 0805 T/R	O 9
R438	A11368-75001	750 OHM .1 1% 0805 T/R	O 9
R439	A11368-49911	4.99K 1/10W 1% SMD 0805 T/R	O 9
R440	A11368-15023	15KOHM .25W 1% 1210 SMT T/R	P 7
R441	A11368-15023	15KOHM .25W 1% 1210 SMT T/R	P 8
R442	A11368-51R11	51.1 OHM 0.1W 1% MF 0805	G 7
R443	A11368-18211	1.82KOHM .1W 1% 0805 T/R	G 7
R444	A11368-64901	RES, 649 OHM 1% 0.1W SMT 0805	G 7
R445	C10613-5	1 KOHM TOP ADJUST TRIMMER T/R	G 7
R446	A11368-10021	10K 1/10W 1% SMD 0805 T/R	G 7
R447	A11368-33R24	33.2 OHM .5W 1% 2010 T/R	G 6
R448	132556-1	RES, 0.68 OHM 5% 2W RADIAL	H 7
R449	132556-1	RES, 0.68 OHM 5% 2W RADIAL	H 7
R450	132556-1	RES, 0.68 OHM 5% 2W RADIAL	H 7
R451	132556-1	RES, 0.68 OHM 5% 2W RADIAL	H 7
R452		OPEN	I 7
R453		OPEN	I 7
R454	A11368-10021	10K 1/10W 1% SMD 0805 T/R	H 7
R455	132556-1	RES, 0.68 OHM 5% 2W RADIAL	D 7
R456	132556-1	RES, 0.68 OHM 5% 2W RADIAL	D 7
R457	132556-1	RES, 0.68 OHM 5% 2W RADIAL	D 7
R458	132556-1	RES, 0.68 OHM 5% 2W RADIAL	D 7
R459		OPEN	E 7
R460		OPEN	E 7
R461	A11368-33R22	33.2 OHM .125W 1% 1206 T/R	C 7
R462	A11368-33R24	33.2 OHM .5W 1% 2010 T/R	C 6
R463		OPEN	E 3
R464	A11368-34011	3.4K 0.10W 1% MF 0805	D 3
R465	A11368-34011	3.4K 0.10W 1% MF 0805	C 3
R466	A11368-64901	RES, 649 OHM 1% 0.1W SMT 0805	O 8
R467	A11368-10001	100 OHM 1% 0805 RES T/R	O 8
R468	132556-1	RES, 0.68 OHM 5% 2W RADIAL	C 3
R469	132556-1	RES, 0.68 OHM 5% 2W RADIAL	D 3
R470	132556-1	RES, 0.68 OHM 5% 2W RADIAL	D 3
R471	132556-1	RES, 0.68 OHM 5% 2W RADIAL	D 3
R472		OPEN	E 3
R473		OPEN	E 3
R474	A11368-34011	3.4K 0.10W 1% MF 0805	O 2
R475	A11368-34011	3.4K 0.10W 1% MF 0805	O 2
R476	A11368-30931	RES, 309K OHM 1% 0.10W 0805	P 2
R477	A11368-22111	2.21KOHM .1W 1% CHIP 0805	P 2
R478	A11368-51111	5.11KOHM .1W 1% 0805 T/R	O 2
R479	C10447-8	100.KOHM TOP ADJ TRIMMER T/R	O 2
R480	A11368-93121	RES, 93.1K 1% 0.1W SMT 0805	O 2
R481	A11368-93121	RES, 93.1K 1% 0.1W SMT 0805	O 2
R482	A11368-49921	49.9KOHM .1W 1% CHIP 0805	O 2
R483	A11368-68111	6.81K 0.10W 1% CHIP 0805	O 2
R484	A11368-20021	20.KOHM .1W 1% CHIP 0805	O 2
R485	A11368-20021	20.KOHM .1W 1% CHIP 0805	O 2
R486	A11368-68131	681KOHM .1W 1% 0805 T/R	Q 2

R487	A11368-10031	100.KOHM .1W 1% CHIP 0805	Q 2
R488	A11368-20031	200K 0.1W 1% SMD CHIP 0805	Q 2
R489	A11368-20031	200K 0.1W 1% SMD CHIP 0805	Q 2
R490	A11368-71531	715K 0.1W 1% 0805 T/R	O 1
R491	C10447-8	100.KOHM TOP ADJ TRIMMER T/R	O 1
R492		OPEN	E 3
R493	A11368-17421	17.4KOHM .1W 1% 0805 T/R	D 3
R494	A11368-17421	17.4KOHM .1W 1% 0805 T/R	C 3
R495	A11371-1105	11 OHM 1W 5% 2512 T/R	I 2
R496	A11371-5R65	5.6 OHM 1W 5% 2512 T/R	I 7
R497	A11368-10001	100 OHM 1% 0805 RES T/R	L 15
R498	A11368-10031	100.KOHM .1W 1% CHIP 0805	J 2
R513	A11368-13031	130 KOHM 0.1W 1% 0805	G 3
R514	A11368-40221	40.2KOHM 0.10W 1% SMT 0805	G 3
R515	A11368-10041	1M OHM .1W 1% CHIP 0805	F 3
R516	A11368-10031	100.KOHM .1W 1% CHIP 0805	D 2
R517	A11368-18721	18.7KOHM 0.10W 1% SMT 0805	D 2
R518	A11368-18721	18.7KOHM 0.10W 1% SMT 0805	D 2
R519	A11368-10031	100.KOHM .1W 1% CHIP 0805	D 2
R520	A11368-54921	54.9K 0.10W 1% CHIP 0805	D 2
R521	A11368-54921	54.9K 0.10W 1% CHIP 0805	D 2
R522	A11368-10031	100.KOHM .1W 1% CHIP 0805	D 2
R523	A11368-10031	100.KOHM .1W 1% CHIP 0805	E 2
R524	A11368-54921	54.9K 0.10W 1% CHIP 0805	P 2
R525	A11368-10031	100.KOHM .1W 1% CHIP 0805	P 2
R526	A11368-10021	10K 1/10W 1% SMD 0805 T/R	P 2
R527	A11368-18721	18.7KOHM 0.10W 1% SMT 0805	P 2
R528	A11368-10031	100.KOHM .1W 1% CHIP 0805	P 2
R529	A11368-54921	54.9K 0.10W 1% CHIP 0805	P 2
R530	A11368-10031	100.KOHM .1W 1% CHIP 0805	P 2
R531	A11368-10031	100.KOHM .1W 1% CHIP 0805	P 2
R532	A11368-13331	133.KOHM .1W 1% CHIP 0805	E 1
R533	A11368-10031	100.KOHM .1W 1% CHIP 0805	G 3
R534	A11368-10031	100.KOHM .1W 1% CHIP 0805	G 3
R535	A11368-10031	100.KOHM .1W 1% CHIP 0805	F 3
R536	A11368-10031	100.KOHM .1W 1% CHIP 0805	F 3
R537	A11368-13331	133.KOHM .1W 1% CHIP 0805	G 3
R538	A11368-10R01	10 OHM .1W 1% 0805 T/R	G 3
R544	A11368-12741	1.27MOHM .1W 1% 0805 T/R	P 11
R545	A11368-12741	1.27MOHM .1W 1% 0805 T/R	P 11
R546	A11368-36531	RES, 365 KOHM 1% .1W 0805	P 11
R547	A11368-10031	100.KOHM .1W 1% CHIP 0805	P 11
R548	A11368-49921	49.9KOHM .1W 1% CHIP 0805	P 11
R549	A11368-10031	100.KOHM .1W 1% CHIP 0805	I 11
R550	A11368-75011	7.50K .10W 1% CHIP 0805	I 11
R551	A11368-10721	RES, 10.7K 1% 0.1W SMT 0805	I 12
R552	A11368-10031	100.KOHM .1W 1% CHIP 0805	I 11
R553	A11368-10031	100.KOHM .1W 1% CHIP 0805	I 11
R554	A11368-10521	10.5K .10W 1% MF 0805	I 11
R555	A11368-49911	4.99K 1/10W 1% SMD 0805 T/R	I 12
R556	A11368-10021	10K 1/10W 1% SMD 0805 T/R	L 11
R557	A11368-10021	10K 1/10W 1% SMD 0805 T/R	I 12
R563	A11368-10001	100 OHM 1% 0805 RES T/R	P 10
R564	A11368-15831	158KOHM .1W 1% 0805 T/R	N 12
R566	A11368-10001	100 OHM 1% 0805 RES T/R	P 10
R567	A11371-5R12	5.1OHM 0.125W 5% 1206 T/R	J 9
R568	A11371-5R12	5.1OHM 0.125W 5% 1206 T/R	I 9
R569	A11368-10001	100 OHM 1% 0805 RES T/R	O 10
R570	A11371-5R12	5.1OHM 0.125W 5% 1206 T/R	I 9

R571	A11368-13321	13.3K 0.10W 1% CHIP 0805	F 10
R572	A11368-10001	100 OHM 1% 0805 RES T/R	O 10
R574	A11368-27432	274K .125W 1% CHIP RES T/R	F 11
R575	A11368-10001	100 OHM 1% 0805 RES T/R	P 8
R576	A11368-37412	3.74KOHM .125W 1% 1206 T/R	A 2
R577	A11368-37412	3.74KOHM .125W 1% 1206 T/R	N 2
R578	A11368-10001	100 OHM 1% 0805 RES T/R	P 8
R579	A11368-20021	20.KOHM .1W 1% CHIP 0805	H 11
R580	A11368-22121	22.1K 0.10W 1% CHIP 0805	G 11
R581	A11368-10001	100 OHM 1% 0805 RES T/R	O 8
R582	A11371-1105	11 OHM 1W 5% 2512 T/R	N 3
R584	A11368-10001	100 OHM 1% 0805 RES T/R	O 8
R585	A11368-24911	2.49K 1/10W 1% SMD 0805 T/R	K 2
R586	A11368-49911	4.99K 1/10W 1% SMD 0805 T/R	K 11
R587	A11368-51R11	51.1 OHM 0.1W 1% MF 0805	P 9
R588	A11368-51R11	51.1 OHM 0.1W 1% MF 0805	O 9
R589	A11368-24911	2.49K 1/10W 1% SMD 0805 T/R	K 2
R590	A11368-49911	4.99K 1/10W 1% SMD 0805 T/R	G 11
R591	A11368-10031	100.KOHM .1W 1% CHIP 0805	F 12
R592	A11368-15021	15.0K, 0.10W 1% MF 0805	F 12
R593	A11368-40211	4.02K 1/10W 1% SMD 0805 T/R	F 12
R594	A11368-10001	100 OHM 1% 0805 RES T/R	L 12
R596	A11368-68131	681KOHM .1W 1% 0805 T/R	F 1
R597	A11368-68131	681KOHM .1W 1% 0805 T/R	F 1
R598	A11368-68131	681KOHM .1W 1% 0805 T/R	F 1
R599	A11368-68131	681KOHM .1W 1% 0805 T/R	G 1
R613	A11368-13031	130 KOHM 0.1W 1% 0805	F 3
R614	A11368-40221	40.2KOHM 0.10W 1% SMT 0805	F 3
R615	A11368-10041	1M OHM .1W 1% CHIP 0805	F 2
R616	A11368-10031	100.KOHM .1W 1% CHIP 0805	E 2
R617	A11368-18721	18.7KOHM 0.10W 1% SMT 0805	E 2
R618	A11368-18721	18.7KOHM 0.10W 1% SMT 0805	E 2
R619	A11368-10031	100.KOHM .1W 1% CHIP 0805	E 2
R620	A11368-54921	54.9K 0.10W 1% CHIP 0805	E 2
R621	A11368-54921	54.9K 0.10W 1% CHIP 0805	E 2
R622	A11368-10031	100.KOHM .1W 1% CHIP 0805	E 2
R623	A11368-10031	100.KOHM .1W 1% CHIP 0805	E 2
R624	A11368-54921	54.9K 0.10W 1% CHIP 0805	Q 2
R625	A11368-10031	100.KOHM .1W 1% CHIP 0805	Q 2
R626	A11368-10021	10K 1/10W 1% SMD 0805 T/R	Q 2
R627	A11368-18721	18.7KOHM 0.10W 1% SMT 0805	Q 2
R628	A11368-10031	100.KOHM .1W 1% CHIP 0805	Q 2
R629	A11368-54921	54.9K 0.10W 1% CHIP 0805	Q 2
R630	A11368-10031	100.KOHM .1W 1% CHIP 0805	Q 2
R631	A11368-10031	100.KOHM .1W 1% CHIP 0805	Q 2
R632	A11368-13331	133.KOHM .1W 1% CHIP 0805	Q 2
R633	A11368-10031	100.KOHM .1W 1% CHIP 0805	E 3
R634	A11368-10031	100.KOHM .1W 1% CHIP 0805	F 3
R635	A11368-10031	100.KOHM .1W 1% CHIP 0805	F 3
R636	A11368-10031	100.KOHM .1W 1% CHIP 0805	F 3
R637	A11368-13331	133.KOHM .1W 1% CHIP 0805	F 3
R638	A11368-10R01	10 OHM .1W 1% 0805 T/R	F 3
R644	A11368-12741	1.27MOHM .1W 1% 0805 T/R	O 11
R645	A11368-12741	1.27MOHM .1W 1% 0805 T/R	O 11
R646	A11368-36531	RES, 365 KOHM 1% .1W 0805	O 11
R647	A11368-10031	100.KOHM .1W 1% CHIP 0805	O 11
R648	A11368-49921	49.9KOHM .1W 1% CHIP 0805	O 11
R649	A11368-10031	100.KOHM .1W 1% CHIP 0805	I 11
R650	A11368-75011	7.50K .10W 1% CHIP 0805	I 11

R651	A11368-10721	RES, 10.7K 1% 0.1W SMT 0805	I 12
R652	A11368-10031	100.KOHM .1W 1% CHIP 0805	I 11
R653	A11368-10031	100.KOHM .1W 1% CHIP 0805	I 11
R654	A11368-10521	10.5K .10W 1% MF 0805	I 12
R655	A11368-49911	4.99K 1/10W 1% SMD 0805 T/R	J 12
R656	A11368-10021	10K 1/10W 1% SMD 0805 T/R	L 11
R657	A11368-10021	10K 1/10W 1% SMD 0805 T/R	I 12
R658	A11368-20031	200K 0.1W 1% SMD CHIP 0805	P 10
R659	A11368-30121	30.1K, 0.10W 1% MF 0805	P 10
R660	A11368-30121	30.1K, 0.10W 1% MF 0805	O 10
R661	A11368-20031	200K 0.1W 1% SMD CHIP 0805	O 10
R662	A11368-68131	681KOHM .1W 1% 0805 T/R	N 1
R667	A11368-68131	681KOHM .1W 1% 0805 T/R	N 1
R668	A11368-68131	681KOHM .1W 1% 0805 T/R	O 1
R669	A11368-68131	681KOHM .1W 1% 0805 T/R	O 2
R682	A11371-1105	11 OHM 1W 5% 2512 T/R	H 3
R687	A11368-51R11	51.1 OHM 0.1W 1% MF 0805	P 8
R688	A11368-51R11	51.1 OHM 0.1W 1% MF 0805	N 8
R801	A11368-10001	100 OHM 1% 0805 RES T/R	J 15
R802	A11368-10001	100 OHM 1% 0805 RES T/R	J 15
R803	A11368-10001	100 OHM 1% 0805 RES T/R	J 15
R804	A11368-10001	100 OHM 1% 0805 RES T/R	J 15
R805	A11368-10001	100 OHM 1% 0805 RES T/R	K 15
R806	A11368-10001	100 OHM 1% 0805 RES T/R	H 15
R807	A11368-10001	100 OHM 1% 0805 RES T/R	I 15
R808	A11368-10001	100 OHM 1% 0805 RES T/R	H 15
R809	A11368-10001	100 OHM 1% 0805 RES T/R	H 15
R810	A11368-10001	100 OHM 1% 0805 RES T/R	H 15
R900	133910-1	RES, 27KOHM 5% 2W RAD T/R	F 9
R901	133910-1	RES, 27KOHM 5% 2W RAD T/R	L 9
R902	A11371-2023	2K OHM .25W 5% 1210 T/R	E 11
R903	A11368-20021	20.KOHM .1W 1% CHIP 0805	E 11
R905	A11368-10031	100.KOHM .1W 1% CHIP 0805	D 12
R907	A11368-16521	16.5KOHM .1W 1% 0805 T/R	F 12
R908	A11368-24921	24.9K 1/10W 1% SMD 0805 T/R	F 12
R909	A11368-75021	75K 1/10W 1% SMD 0805 T/R	D 12
R910	A11368-10021	10K 1/10W 1% SMD 0805 T/R	E 12
R911	A11368-56221	56.2K OHM .1W 1% 0805 T/R	D 12
R912	A11368-20021	20.KOHM .1W 1% CHIP 0805	E 12
R913	A11368-22121	22.1K 0.10W 1% CHIP 0805	D 12
R914	A11368-75021	75K 1/10W 1% SMD 0805 T/R	C 12
R915	A11368-30931	RES, 309K OHM 1% 0.10W 0805	D 12
R916	A11368-15831	158KOHM .1W 1% 0805 T/R	D 12
R917	A11368-20021	20.KOHM .1W 1% CHIP 0805	D 12
R918	A11368-20031	200K 0.1W 1% SMD CHIP 0805	D 11
R919	A11368-10031	100.KOHM .1W 1% CHIP 0805	D 11
R920	A11368-10021	10K 1/10W 1% SMD 0805 T/R	D 12
R921	A11368-10021	10K 1/10W 1% SMD 0805 T/R	D 12
R922	A11368-20021	20.KOHM .1W 1% CHIP 0805	D 11
R923	A11368-20021	20.KOHM .1W 1% CHIP 0805	D 11
R924	A11368-20021	20.KOHM .1W 1% CHIP 0805	D 11
R925	A11368-20021	20.KOHM .1W 1% CHIP 0805	D 11
R926	A11368-31611	3.16K 0.1W 1% 0805 T/R	D 11
R927	A11368-10031	100.KOHM .1W 1% CHIP 0805	D 12
R928	A11368-49931	499KOHM .1W 1% 0805 T/R	D 12
R929	A11368-49931	499KOHM .1W 1% 0805 T/R	E 12
R930	A11368-49931	499KOHM .1W 1% 0805 T/R	E 12
R931	A11368-10031	100.KOHM .1W 1% CHIP 0805	E 12
R932	A11368-10021	10K 1/10W 1% SMD 0805 T/R	E 11

R933	A11368-49921	49.9KOHM .1W 1% CHIP 0805	E 11
R934	A11368-10021	10K 1/10W 1% SMD 0805 T/R	D 11
R935	132560-1	RES, 220 OHM 5% 2W RADIAL	A 6
R936	132560-1	RES, 220 OHM 5% 2W RADIAL	A 6
R937	132560-1	RES, 220 OHM 5% 2W RADIAL	A 6
R938	132560-1	RES, 220 OHM 5% 2W RADIAL	A 6
R939	132560-1	RES, 220 OHM 5% 2W RADIAL	A 5
R940	132560-1	RES, 220 OHM 5% 2W RADIAL	A 5
R941	A11368-10011	1.KOHM .1W 1% CHIP 0805	A 7
R942	A11368-10011	1.KOHM .1W 1% CHIP 0805	A 7
R943	A11368-10011	1.KOHM .1W 1% CHIP 0805	A 7
R944	A11368-24921	24.9K 1/10W 1% SMD 0805 T/R	E 10
R946	A11371-2724	2.7 KOHM .5W 5% 2010 T/R	D 11
R947	132559-1	RES, 8.2 OHM 5% 2W RADIAL	I 8
R948	132559-1	RES, 8.2 OHM 5% 2W RADIAL	I 8
R949	132559-1	RES, 8.2 OHM 5% 2W RADIAL	H 10
R950	132559-1	RES, 8.2 OHM 5% 2W RADIAL	H 9
R951	A11371-2204	22 OHM .5W 5% 2010 T/R	B 8
R952	A11371-2204	22 OHM .5W 5% 2010 T/R	B 8
R953	A11368-1R001	1 OHM .1W 1% 0805 T/R	F 7
R954	133910-1	RES, 27KOHM 5% 2W RAD T/R	A 5
R955	133910-1	RES, 27KOHM 5% 2W RAD T/R	B 5
R956	A11368-80R64	80.6 OHM 1% 0.50W 2010 T/R	E 11
R957	A11368-80R64	80.6 OHM 1% 0.50W 2010 T/R	E 11
R958	133910-1	RES, 27KOHM 5% 2W RAD T/R	I 8
R959	133910-1	RES, 27KOHM 5% 2W RAD T/R	F 9
R960	132560-1	RES, 220 OHM 5% 2W RADIAL	A 5
R961	132560-1	RES, 220 OHM 5% 2W RADIAL	A 5
R966	A11368-1R001	1 OHM .1W 1% 0805 T/R	H 10
R977	A11368-47532	475 KOHM .125W 1% CHIP RES	B 9
R978	A11368-47532	475 KOHM .125W 1% CHIP RES	B 9
R999	A11368-10021	10K 1/10W 1% SMD 0805 T/R	R 12
RT100	132095-1	NTC, 20K J 2% W/CONNECTOR	H 10
RT101	133188-1	THERMISTOR, 20K NTC 0805 SMT	P 5
RT102	133188-1	THERMISTOR, 20K NTC 0805 SMT	L 5
RT201	133188-1	THERMISTOR, 20K NTC 0805 SMT	H 5
RT202	133188-1	THERMISTOR, 20K NTC 0805 SMT	D 5
RT900	138466-1	PRP, 101103-1 PTC .125	C 10
RT901	138466-1	PRP, 101103-1 PTC .125	B 9
S1	C 7325-1	2POLE 2POS PC SLIDE SWITCH	I 14
S2	132498-1	SWITCH, DPST PUSHBUTTON VDECSA	C 10
S3	C 7325-1	2POLE 2POS PC SLIDE SWITCH	I 16
S100	131589-1	SWITCH, 2P3T SLIDE VRT PCB MNT	J 13
S101	127386-1	SWITCH, 4P3T SLIDE R/A PCB MNT	K 14
S200	131589-1	SWITCH, 2P3T SLIDE VRT PCB MNT	H 13
S201	127386-1	SWITCH, 4P3T SLIDE R/A PCB MNT	G 14
T900	138362-1	PRP, 134525-2 XFMR .125	H 10
T901	137838-1	XFMR, 5.0VA 115V/230V 28V C.T.	B 10
T902	133382-2	XFMR, CTS BJT 125KHZ POWER	D 9
T903	132050-1	XFMR, CURRENT 1:200	D 10
TB1	C 9676-5	3 POS, R/A 5MM HDR RND PIN	K 15
TB2	C 9676-5	3 POS, R/A 5MM HDR RND PIN	I 15
TP6	127064-1	TEST POINT, SMT 1206	B 2
TP7	127064-1	TEST POINT, SMT 1206	P 2
TP109	127064-1	TEST POINT, SMT 1206	K 13
TP110	127064-1	TEST POINT, SMT 1206	L 2
TP111	127064-1	TEST POINT, SMT 1206	P 9
TP112	127064-1	TEST POINT, SMT 1206	P 11
TP121	127064-1	TEST POINT, SMT 1206	D 2

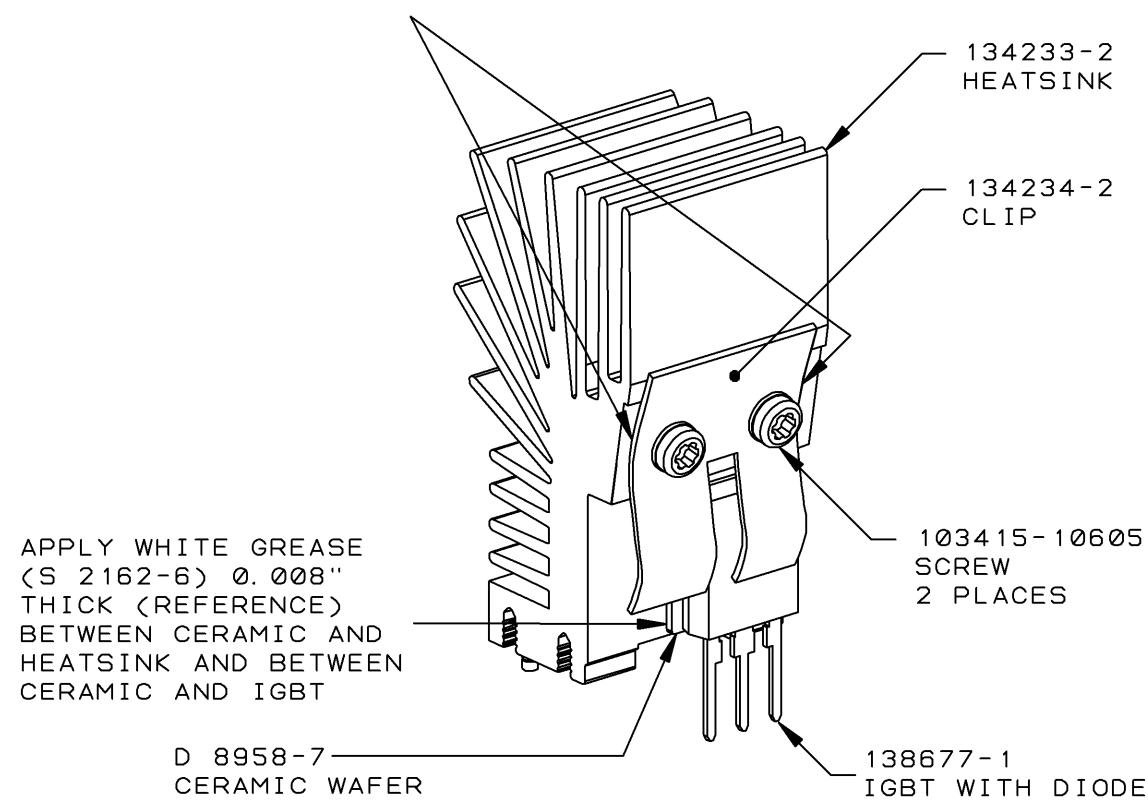
TP122	127064-1	TEST POINT, SMT 1206	M 7
TP123	127064-1	TEST POINT, SMT 1206	P 2
TP124	127064-1	TEST POINT, SMT 1206	O 7
TP125	127064-1	TEST POINT, SMT 1206	H 9
TP127	127064-1	TEST POINT, SMT 1206	G 10
TP128	127064-1	TEST POINT, SMT 1206	B 3
TP129	127064-1	TEST POINT, SMT 1206	C 3
TP130	127064-1	TEST POINT, SMT 1206	H 8
TP131	127064-1	TEST POINT, SMT 1206	M 8
TP132	127064-1	TEST POINT, SMT 1206	L 9
TP133	127064-1	TEST POINT, SMT 1206	M 8
TP134	127064-1	TEST POINT, SMT 1206	F 12
TP138	127064-1	TEST POINT, SMT 1206	E 11
TP139	127064-1	TEST POINT, SMT 1206	E 12
TP140	127064-1	TEST POINT, SMT 1206	A 7
TP141	127064-1	TEST POINT, SMT 1206	A 7
TP142	127064-1	TEST POINT, SMT 1206	J 10
TP143	127064-1	TEST POINT, SMT 1206	L 3
TP145	127064-1	TEST POINT, SMT 1206	J 7
TP146	127064-1	TEST POINT, SMT 1206	E 7
TP147	127064-1	TEST POINT, SMT 1206	C 12
TP209	127064-1	TEST POINT, SMT 1206	G 13
TP210	127064-1	TEST POINT, SMT 1206	I 1
TP211	127064-1	TEST POINT, SMT 1206	O 9
TP221	127064-1	TEST POINT, SMT 1206	E 2
TP222	127064-1	TEST POINT, SMT 1206	H 7
TP223	127064-1	TEST POINT, SMT 1206	Q 2
TP224	127064-1	TEST POINT, SMT 1206	H 7
U1	131790-1	EEPROM, SERIAL 256X8 SMT	H 11
U2	126556-1	OP AMP, LM324ADR SOIC-14 QUAD	G 10
U3	133328-1	IC, HEX BUFF NON INV 16P SOIC	G 9
U4	133328-1	IC, HEX BUFF NON INV 16P SOIC	I 9
U5	C 9038-8	COMPARATOR, QUAD LM339D SO-14	B 2
U6	132265-1	IC, CONTROLLER UC3846 SMD	F 11
U7	102484-1	REG +15V D2PAK 2.25W	F 12
U8	C 9038-8	COMPARATOR, QUAD LM339D SO-14	M 11
U9	C 9012-3	OP AMP, QUAD LO NOISE MC33079D	D 2
U10	C 9012-3	OP AMP, QUAD LO NOISE MC33079D	Q 2
U11	126556-1	OP AMP, LM324ADR SOIC-14 QUAD	J 2
U12	C 9038-8	COMPARATOR, QUAD LM339D SO-14	J 2
U13	126556-1	OP AMP, LM324ADR SOIC-14 QUAD	K 2
U14	132640-1	IC, DUAL TRANSCONDUCT OP AMP	F 2
U15	132640-1	IC, DUAL TRANSCONDUCT OP AMP	O 2
U20	133491-1	FORMED, C 5095-2 (7815)	Q 6
U21	133492-1	FORMED, C 5096-0 (7915)	M 6
U22	133491-1	FORMED, C 5095-2 (7815)	F 6
U23	133492-1	FORMED, C 5096-0 (7915)	I 6
U100	139499-1	OPTOCOUPLER, MACRON INTL MI0202CLD-R	I 13
U101	C 9012-3	OP AMP, QUAD LO NOISE MC33079D	J 13
U102	C 9012-3	OP AMP, QUAD LO NOISE MC33079D	K 12
U104	134835-1	OP AMP, OP07 LOW OFFSET SO8	L 13
U105	C 9038-8	COMPARATOR, QUAD LM339D SO-14	K 12
U107	C 9038-8	COMPARATOR, QUAD LM339D SO-14	M 12
U108	C 9038-8	COMPARATOR, QUAD LM339D SO-14	M 2
U109	C 9038-8	COMPARATOR, QUAD LM339D SO-14	M 2
U111	C 9038-8	COMPARATOR, QUAD LM339D SO-14	P 11
U112	C 9012-3	OP AMP, QUAD LO NOISE MC33079D	F 3
U200	139499-1	OPTOCOUPLER, MACRON INTL MI0202CLD-R	I 13
U201	C 9012-3	OP AMP, QUAD LO NOISE MC33079D	H 13

U202	C 9012-3	OP AMP, QUAD LO NOISE MC33079D	H 12
U204	134835-1	OP AMP, OP07 LOW OFFSET SO8	G 13
U205	C 9038-8	COMPARATOR, QUAD LM339D SO-14	H 12
U207	C 9038-8	COMPARATOR, QUAD LM339D SO-14	L 12
U208	C 9038-8	COMPARATOR, QUAD LM339D SO-14	G 2
U209	C 9038-8	COMPARATOR, QUAD LM339D SO-14	H 2
U211	C 9038-8	COMPARATOR, QUAD LM339D SO-14	O 11
U900	C 9038-8	COMPARATOR, QUAD LM339D SO-14	D 12
W1A	134211-1	WIRE ASSY, 14GA BRN/GRY 10.5"	G 11
W1B		OPEN	M 15
W2A	134207-2	WIRE ASSY, 14GA GRY 25.5"	I 3
W2B		OPEN	M 15
W3A	134208-2	WIRE ASSY, 14GA BLK/GRY 25.5"	I 3
W3B		OPEN	M 15
W4B		OPEN	M 15
W4C	139572-1	WIRE ASSY, 14GA BLK 6.5"	M 13
W5A	134210-2	WIRE ASSY, 14GA BLK/WHT 22.0"	M 3
W5B		OPEN	N 15
W6A	134209-2	WIRE ASSY, 14GA WHT 20.5"	O 2
W6B		OPEN	N 15
W7A	134212-1	WIRE ASSY, 14GA BRN/WHT 7.0"	K 11
W7B		OPEN	N 15
W15A	135036-1	WIRE ASSY, 14GA BLU/WHT 20.5"	K 11
W15B		OPEN	N 3
W16A	135035-1	WIRE ASSY, 14GA BLU/GRY 30.0"	G 11
W16B		OPEN	H 3
WP901	134204-2	WIRE ASSY, 14GA BRN 5.0" LINE	A 14
WP902	134205-2	WIRE ASSY, 14GA BLU 5.0" NTRL	B 14
Z900	A11371-0R02	0. OHM .125W 5% CHIP RES T/R	A 9
Z901	A11371-0R02	0. OHM .125W 5% CHIP RES T/R	B 9
Z902	134606-1	JUMPER, 14AWG BUS WIRE	C 9
Z903	134606-1	JUMPER, 14AWG BUS WIRE	C 8
Z904		OPEN	A 9
Z905		OPEN	C 9

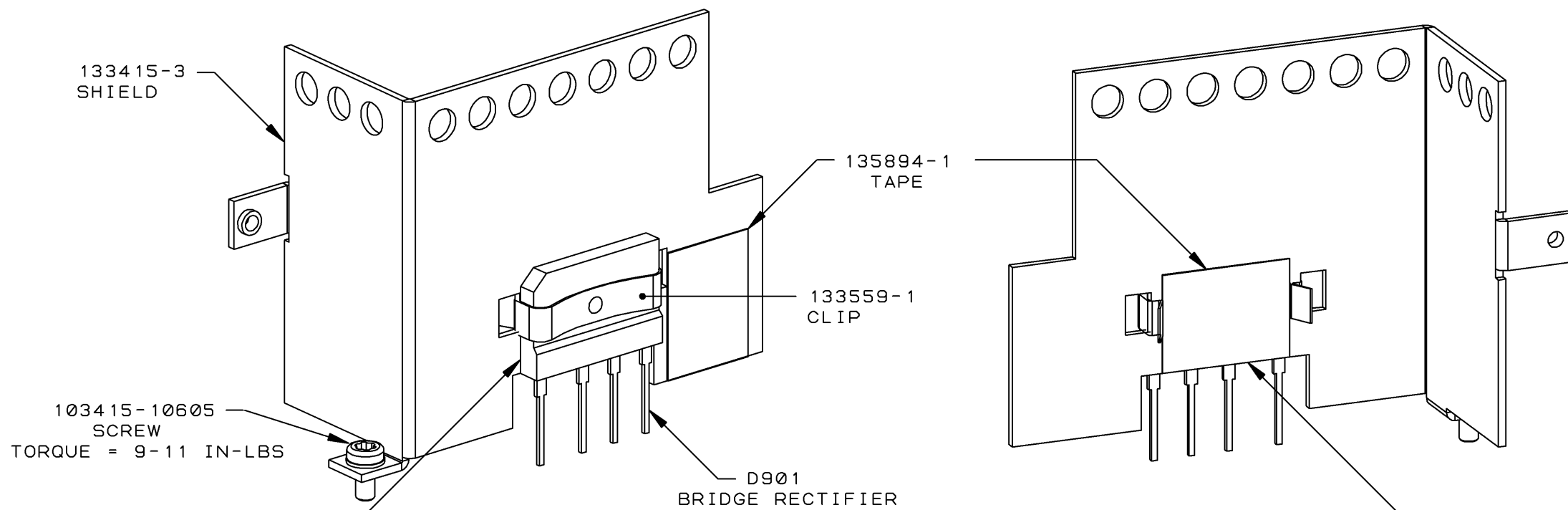
Section 1.5
CTs600 120VSchematic 138533-3

TORQUE MAY NEED TO BE ADJUSTED TO ACHIEVE THE REQUIREMENTS BELOW:

1. THREADS MUST NOT BE STRIPPED.
2. THE FORCE OF THE SCREW MUST BEND THE CLIPS SO THAT THEY EITHER TOUCH OR ARE WITHIN 0.004" OF THE HEATSINK AT THE TWO PLACES INDICATED.



DETAIL "A"
SCALE 1:1



FRONT VIEW

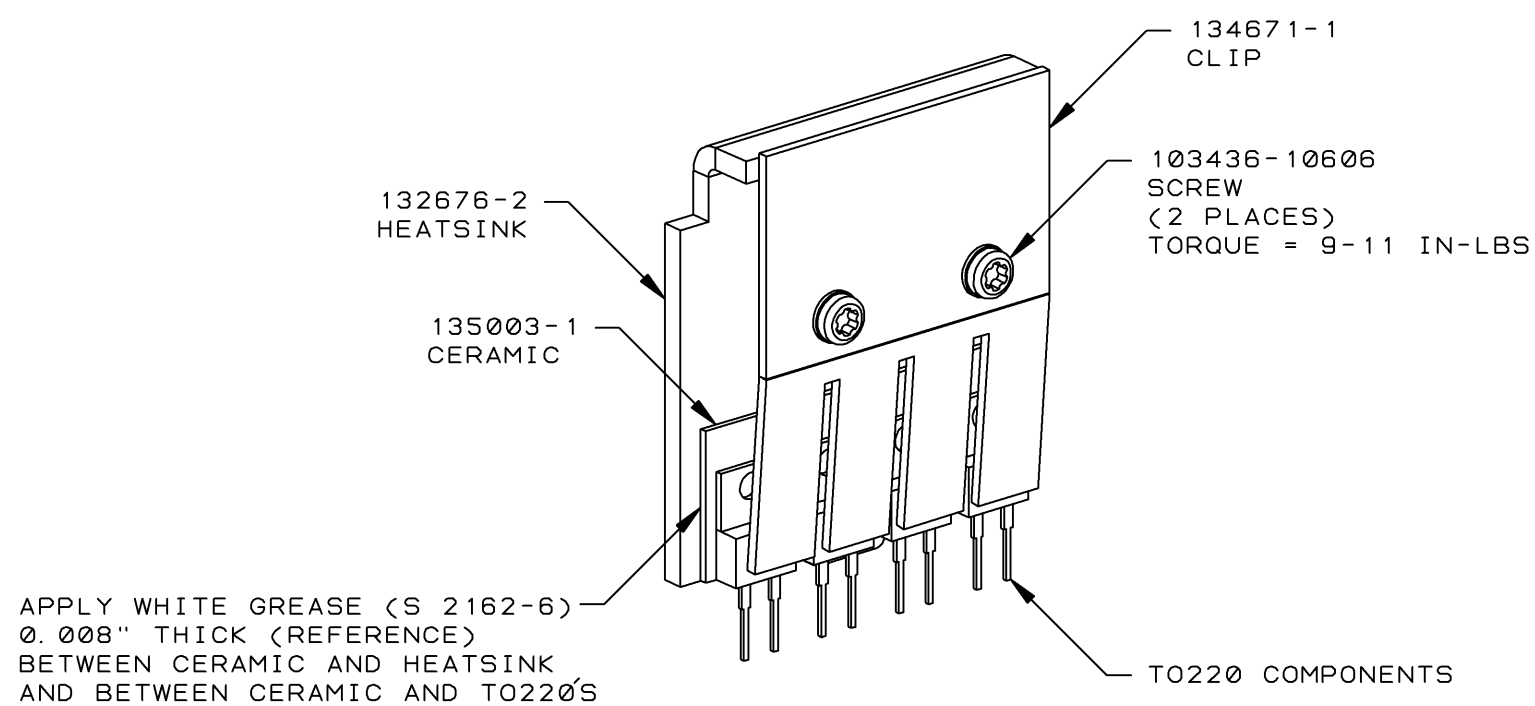
BACK VIEW

DETAIL "B"
SCALE 1:1

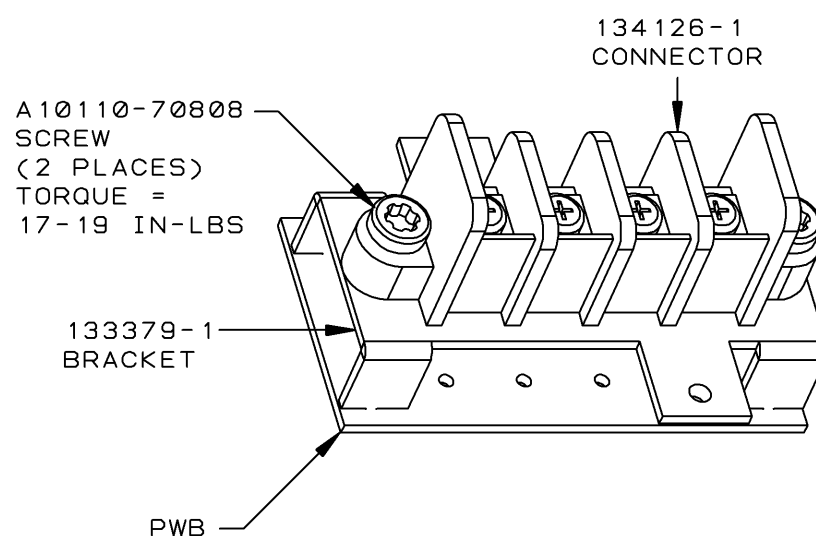
APPLY WHITE GREASE (S 2162-6) 0.008" THICK (REFERENCE) BETWEEN BRIDGE RECTIFIER AND HEATSINK

TORQUE MAY NEED TO BE ADJUSTED TO ACHIEVE THE REQUIREMENTS BELOW:

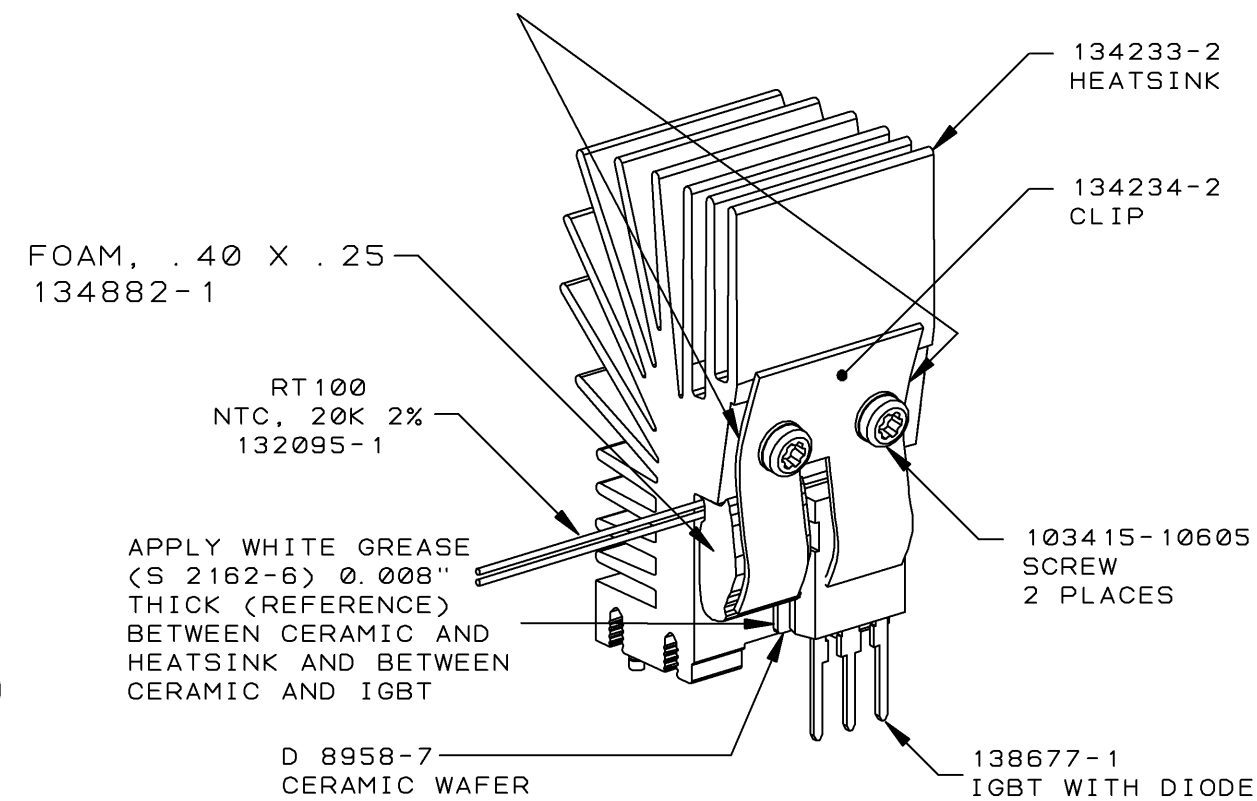
1. THREADS MUST NOT BE STRIPPED.
2. THE FORCE OF THE SCREW MUST BEND THE CLIPS SO THAT THEY EITHER TOUCH OR ARE WITHIN 0.004" OF THE HEATSINK AT THE TWO PLACES INDICATED.



DETAIL "C"
SCALE 1:1



DETAIL "D"
SCALE 1:1

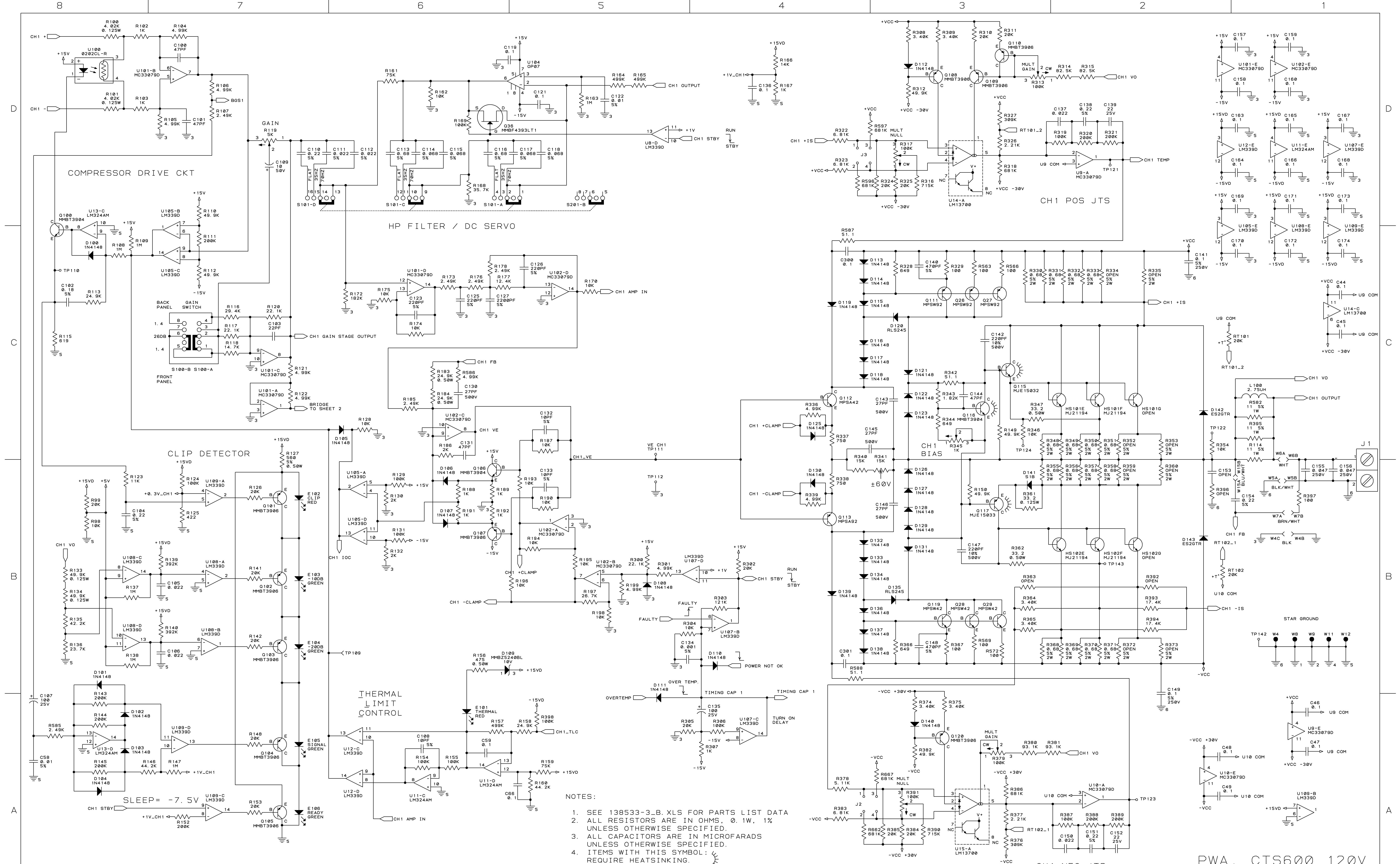


Q911 ONLY
DETAIL "E"
SCALE 1:1

UNCONTROLLED
UNLESS OTHERWISE MARKED IN RED INK BY CM AS A CONTROLLED COPY, COPIES OF THESE DOCUMENTS INCLUDING ASSOCIATED ELECTRONIC REPRODUCTIONS ARE FOR REFERENCE ONLY.

THESE DRAWINGS AND SPECIFICATIONS ARE THE PROPERTY OF CROWN INTERNATIONAL, INC. AND SHALL NOT BE REPRODUCED, COPIED, OR USED AS THE BASIS FOR THE MANUFACTURE OR SALE OF APPARATUS OR DEVICES WITHOUT PERMISSION.

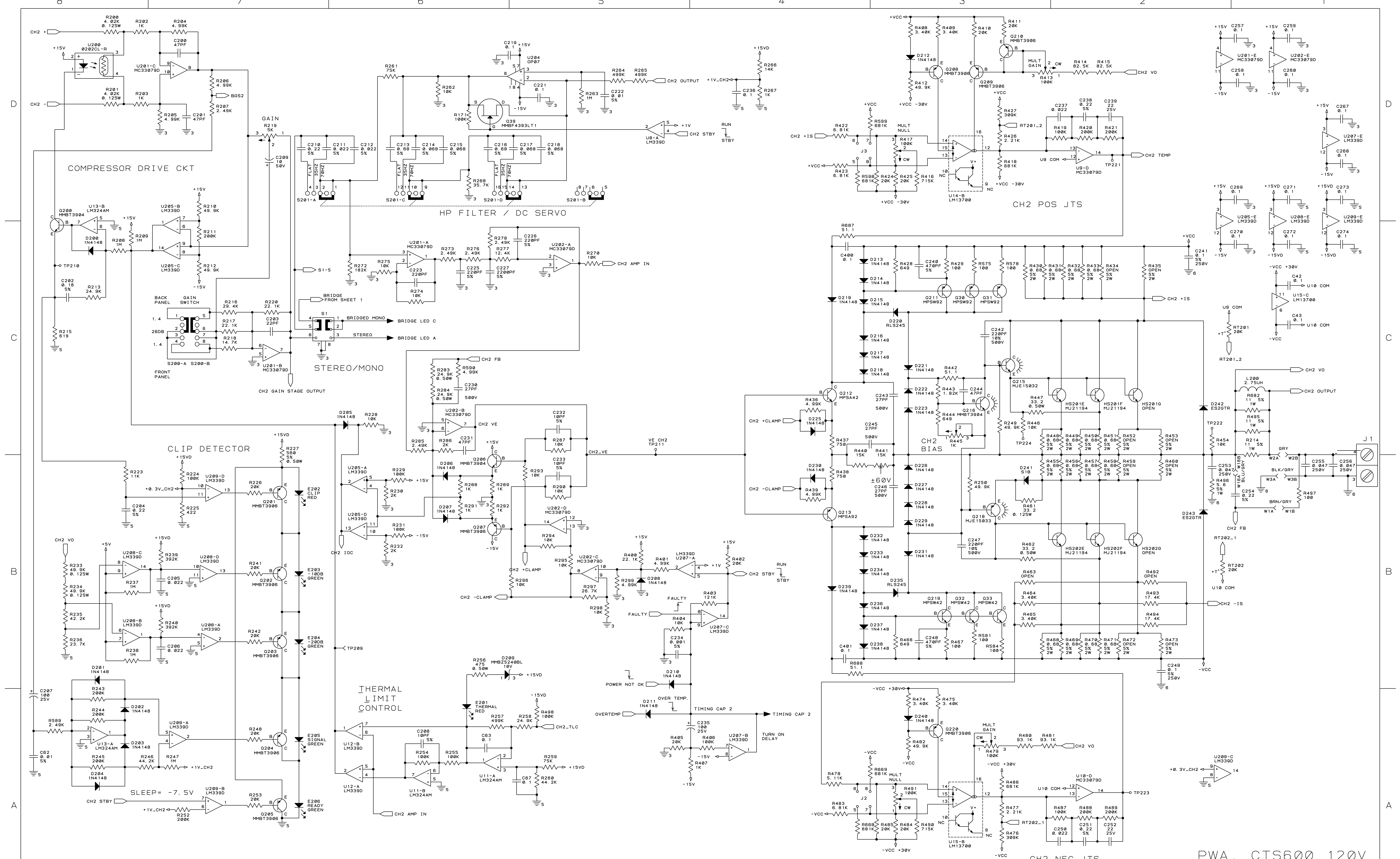
SIZE	DWG NO.	REV
C	138533-3	B
SCALE NONE	PROJ NO. MD433D0	SHEET 2 OF 6



- NOTES:
1. SEE 138533-3.B.XLS FOR PARTS LIST DATA
 2. ALL RESISTORS ARE IN OHMS, 0.1W, 1% UNLESS OTHERWISE SPECIFIED.
 3. ALL CAPACITORS ARE IN MICROFARADS UNLESS OTHERWISE SPECIFIED.
 4. ITEMS WITH THIS SYMBOL: REQUIRE HEATSINKING.

UNCONTROLLED EXCEPT WHERE SHOWN BY A REVISION SYMBOL IN RED INK BY CM AS A PROPERTY OF CROWN INTERNATIONAL, INC. OR USED AS THE BASIS FOR THE MANUFACTURE OR SALE OF APPARATUS OR DEVICES WITHOUT PERMISSION.	SIZE DWG NO.	REV
	D 138533-3	B
SCALE NONE	PROJ. NO. MD43300	SHEET 3 OF 6

PWA, CTS600 120V



PWA, CTS600 120V

UNCONTROLLED UNLESS OTHERWISE MARKED IN RED INK BY CM AS A CONTROLLED COPY. COPIES OF THESE DOCUMENTS INCLUDING ASSOCIATED ELECTRONIC REPRODUCTIONS ARE FOR REFERENCE ONLY.		THESE DRAWINGS AND SPECIFICATIONS ARE THE PROPERTY OF CROWN INTERNATIONAL, INC. AND SHALL NOT BE REPRODUCED, COPIED, OR USED AS THE BASIS FOR THE MANUFACTURE OR SALE OF APPARATUS OR DEVICES WITHOUT PERMISSION.		SIZE DWG NO. D 138533-3	REV B
SCALE NONE	PROJ NO. MD43300	SHEET 4 OF 6			

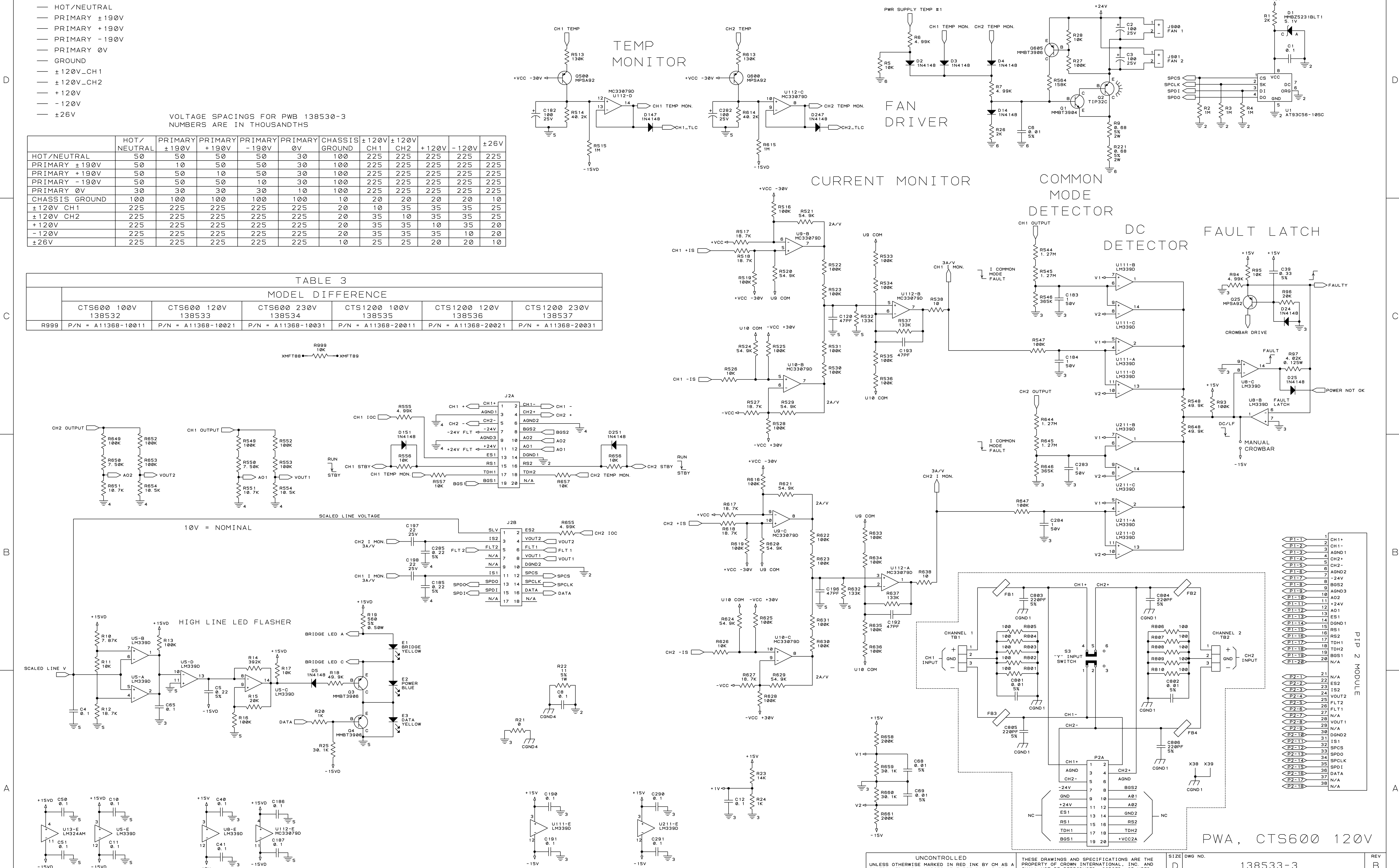
- HOT/NEUTRAL
- PRIMARY ±190V
- PRIMARY +190V
- PRIMARY -190V
- PRIMARY 0V
- GROUND
- ±120V_CH1
- ±120V_CH2
- +120V
- -120V
- ±26V

VOLTAGE SPACINGS FOR PWB 138530-3
NUMBERS ARE IN THOUSANDTHS

	HOT/NEUTRAL	PRIMARY ±190V	PRIMARY +190V	PRIMARY -190V	PRIMARY 0V	CHASSIS GROUND	±120V CH1	±120V CH2	+120V	-120V	±26V
HOT/NEUTRAL	50	50	50	50	30	100	225	225	225	225	225
PRIMARY ±190V	50	10	50	50	30	100	225	225	225	225	225
PRIMARY +190V	50	50	10	50	30	100	225	225	225	225	225
PRIMARY -190V	50	50	50	10	30	100	225	225	225	225	225
PRIMARY 0V	30	30	30	30	10	100	225	225	225	225	225
CHASSIS GROUND	100	100	100	100	100	10	20	20	20	20	10
±120V CH1	225	225	225	225	225	20	10	35	35	35	25
±120V CH2	225	225	225	225	225	20	35	10	35	35	25
+120V	225	225	225	225	225	20	35	35	10	35	20
-120V	225	225	225	225	225	20	35	35	35	10	20
±26V	225	225	225	225	225	10	25	25	20	20	10

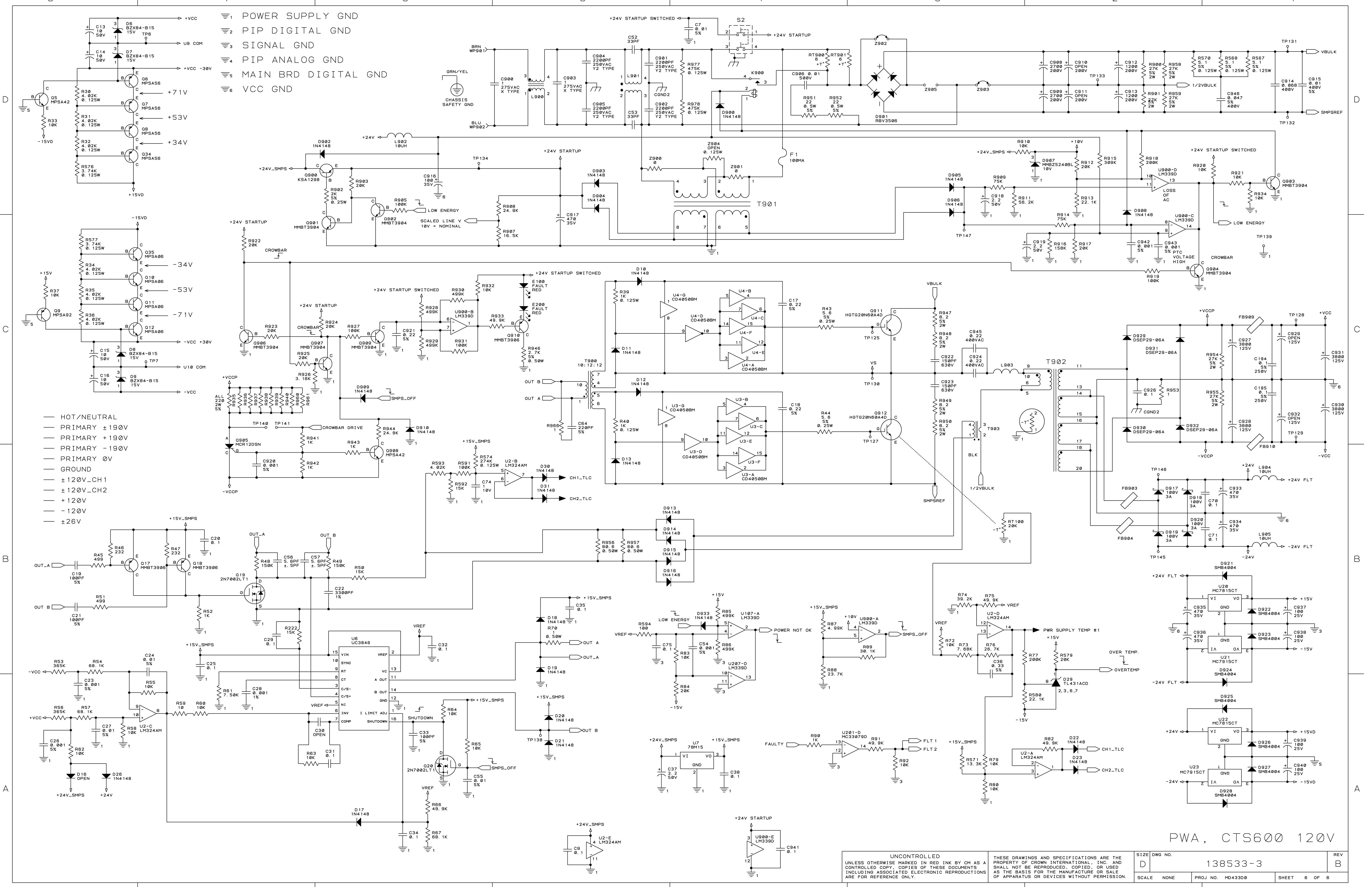
TABLE 3
MODEL DIFFERENCE

	CTS600 100V 138532	CTS600 120V 138533	CTS600 230V 138534	CTS1200 100V 138535	CTS1200 120V 138536	CTS1200 230V 138537
R999	P/N = A11368-10011	P/N = A11368-10021	P/N = A11368-10031	P/N = A11368-20011	P/N = A11368-20021	P/N = A11368-20031



DIP 2 MODULE

P1-1	1	CH1+
P1-2	2	CH1-
P1-3	3	AGND1
P1-4	4	CH2+
P1-5	5	CH2-
P1-6	6	AGND2
P1-7	7	-24V
P1-8	8	BGS2
P1-9	9	AGND3
P1-10	10	A02
P1-11	11	+24V
P1-12	12	A01
P1-13	13	ES1
P1-14	14	DGND1
P1-15	15	RS1
P1-16	16	RS2
P1-17	17	TDH1
P1-18	18	TDH2
P1-19	19	BGS1
P1-20	20	N/A
P2-1	21	N/A
P2-2	22	ES2
P2-3	23	IS2
P2-4	24	VOUT2
P2-5	25	FLT2
P2-6	26	FLT1
P2-7	27	N/A
P2-8	28	VOUT1
P2-9	29	N/A
P2-10	30	DGND2
P2-11	31	IS1
P2-12	32	SPCS
P2-13	33	SPDO
P2-14	34	SPCLK
P2-15	35	SPD1
P2-16	36	DATA
P2-17	37	N/A
P2-18	38	N/A



- HOT/NEUTRAL
- PRIMARY ±190V
- PRIMARY +190V
- PRIMARY -190V
- PRIMARY 0V
- GROUND
- ±120V_CH1
- ±120V_CH2
- +120V
- -120V
- ±26V

PWA, CTS600 120V

UNCONTROLLED UNLESS OTHERWISE MARKED IN RED INK BY CM AS A CONTROLLED COPY; COPIES OF THESE DOCUMENTS INCLUDING ASSOCIATED ELECTRONIC REPRODUCTIONS ARE FOR REFERENCE ONLY.		THESE DRAWINGS AND SPECIFICATIONS ARE THE PROPERTY OF CROWN INTERNATIONAL, INC. AND SHALL NOT BE REPRODUCED, COPIED, OR USED AS THE BASIS FOR THE MANUFACTURE OR SALE OF APPARATUS OR DEVICES WITHOUT PERMISSION.		SIZE D	DWG NO. 138533-3	REV B
SCALE NONE		PROJ NO. MD43300		SHEET 6 OF 6		

Section 1.6
CTs600 230V BOM (Bill of Materials)

REVISION HISTORY						
E.C.N	REV	DESCRIPTION	DATE	DWN	PE	CM
	A	INITIAL RELEASE DERIVED FROM 138534-3 REV. 2 C938 WAS ROTATED TO 90°	06/07/07	JFL	BP	DSV
34706	B	U100 & U200 WERE 139618-1 (PREPPED PART)	07/16/07	JFL	BWP	DSV

UNLESS OTHERWISE SPECIFIED, THIS PRINTED WIRING ASSEMBLY SHALL MEET THE SPECIFICATION DESCRIBED IN IPC-A-610_ CLASS 2 STANDARDS.

ROHS COMPLIANCE: THIS PART MUST COMPLY WITH CROWN AUDIO SPECIFICATION 138935 AND ROHS DIRECTIVE 2002/95/EC OR BE DEFINED AS A ROHS APPROVED EXCEPTION.

NOTES:

1. PRINTED WIRING BOARD PART NUMBER 138530-3
2. SEE 138534-3_B.TIF FOR SCHEMATIC AND COMPONENT MAP.
3. ALL LEADS SHALL BE TRIMMED TO 0.125" OR LESS.
4. POSITION COMPONENTS AS SHOWN ON COMPONENT MAP.
5. INSTALL CAPTIVE NUTS (A10019-16) TO BOTTOM OF PRINTED WIRING BOARD.
6. COAT BOTTOM SIDE OF ALUMINUM HEATSINK WITH OXIDE INHIBITOR S 6442-8 IN 3 PLACES (SEE COMPONENT MAP).
7. INSTALL SILPAD (132565-2) OVER TO220 DEVICES PRIOR TO INSTALLING HEATSINK (132644-4) SEE COMPONENT MAP.
8. APPLY KAPTON TAPE (135520-2) TO BOTTOM OF HEATSINK (132644-4) PRIOR TO INSTALLING HEATSINK. SEE COMPONENT MAP FOR LOCATIONS.
9. COVER TOP SURFACE OF RT101, RT102, RT201, AND RT202 WITH HEATSINK COMPOUND (S 2162-6) PRIOR TO INSTALLING HEATSINK (132644-4).
10. APPLY TAPE 135894-1 TO EMI SHIELD 133415-3 SEE COMPONENT MAP FOR LOCATIONS.
11. MOVE R947 OR PREVENT R947 FROM TOUCHING HEATSINK.
12. APPLY TORQUE SEAL (101036-1) TO ALL POTS AFTER FINAL ADJUSTMENT.
13. ALL GRADED POWER TRANSISTORS (102659-1) ON A HEATSINK MUST BE OF THE SAME GRADE.

ECR PENDING



UNCONTROLLED
 UNLESS OTHERWISE MARKED IN RED INK BY CM AS A CONTROLLED COPY, COPIES OF THESE DOCUMENTS INCLUDING ASSOCIATED ELECTRONIC REPRODUCTIONS ARE FOR REFERENCE ONLY
 THESE DRAWINGS AND SPECIFICATIONS ARE THE PROPERTY OF CROWN INTERNATIONAL, INC. AND SHALL NOT BE REPRODUCED, COPIED, OR USED AS THE BASIS FOR THE MANUFACTURE OR SALE OF APPARATUS OR DEVICES WITHOUT PERMISSION.

DWN	JFL	06/07/07	PE	BP	06/07/07	CM	DSV	06/08/07	DIST.	K		
-----	-----	----------	----	----	----------	----	-----	----------	-------	---	--	--

REF. DES.	CPN	DESCRIPTION	MAP LOC.
C1	A11427-104K2	.1UF 50V CHIP CAP 10% 0805 X7R	H 11
C2	C10208-4	100.UF 25V 20% RAD ELECT T/R	K 10
C3	C10208-4	100.UF 25V 20% RAD ELECT T/R	N 13
C4	A11427-104K2	.1UF 50V CHIP CAP 10% 0805 X7R	B 1
C5	A11427-224J5	0.22UF 50V 5% X7R 1206 T/R	C 2
C6	103418-103J2	.01UF 5% 100V X7R 0805	N 12
C7	103418-103J2	.01UF 5% 100V X7R 0805	C 12
C8	A11427-104K2	.1UF 50V CHIP CAP 10% 0805 X7R	H 11
C9	A11427-104K2	.1UF 50V CHIP CAP 10% 0805 X7R	G 11
C10	A11427-104K2	.1UF 50V CHIP CAP 10% 0805 X7R	B 2
C11	A11427-104K2	.1UF 50V CHIP CAP 10% 0805 X7R	C 2
C12	A11427-104K2	.1UF 50V CHIP CAP 10% 0805 X7R	N 12
C13	C 9465-3	10UF 50V 20% VERT ELECT T/A	B 2
C14	C 9465-3	10UF 50V 20% VERT ELECT T/A	B 2
C15	C 9465-3	10UF 50V 20% VERT ELECT T/A	P 2
C16	C 9465-3	10UF 50V 20% VERT ELECT T/A	P 3
C17	A11427-224J5	0.22UF 50V 5% X7R 1206 T/R	I 9
C18	A11427-224J5	0.22UF 50V 5% X7R 1206 T/R	G 9
C19	A11369-101J2	100 PF 50V 5% NPO MLC 0805 T/R	E 10
C20	A11427-104K2	.1UF 50V CHIP CAP 10% 0805 X7R	F 10
C21	A11369-101J2	100 PF 50V 5% NPO MLC 0805 T/R	E 10
C22	A11369-332F5	3300.PF 50V 1% NPO MLC 1206	F 11
C23	A11369-102J2	.001UF 50V 5% NPO MLC 0805 T/R	F 11
C24	103418-103J2	.01UF 5% 100V X7R 0805	F 11
C25	A11427-104K2	.1UF 50V CHIP CAP 10% 0805 X7R	E 11
C26	A11369-102J2	.001UF 50V 5% NPO MLC 0805 T/R	F 10
C27	103418-103J2	.01UF 5% 100V X7R 0805	F 11
C28	A11369-102F2	1000PF 50V 1% CHIP CAP	F 11
C29	A11427-104K2	.1UF 50V CHIP CAP 10% 0805 X7R	F 11
C30		OPEN	F 11
C31	A11427-104K2	.1UF 50V CHIP CAP 10% 0805 X7R	F 11
C32	A11427-104K2	.1UF 50V CHIP CAP 10% 0805 X7R	F 11
C33	A11369-101J2	100 PF 50V 5% NPO MLC 0805 T/R	E 11
C34	A11427-104K2	.1UF 50V CHIP CAP 10% 0805 X7R	F 10
C35	A11427-104K2	.1UF 50V CHIP CAP 10% 0805 X7R	E 11
C36	139705-1	CAP, 0.33UF 50V 5% X7R 1206	G 10
C37	C 5362-6	2.2UF 50V VERT ELECT T/A	F 12
C38	A11427-104K2	.1UF 50V CHIP CAP 10% 0805 X7R	F 12
C39	139705-1	CAP, 0.33UF 50V 5% X7R 1206	M 11
C40	A11427-104K2	.1UF 50V CHIP CAP 10% 0805 X7R	M 11
C41	A11427-104K2	.1UF 50V CHIP CAP 10% 0805 X7R	M 11
C42	A11427-104K2	.1UF 50V CHIP CAP 10% 0805 X7R	O 1
C43	A11427-104K2	.1UF 50V CHIP CAP 10% 0805 X7R	N 1
C44	A11427-104K2	.1UF 50V CHIP CAP 10% 0805 X7R	F 1
C45	A11427-104K2	.1UF 50V CHIP CAP 10% 0805 X7R	F 1
C46	A11427-104K2	.1UF 50V CHIP CAP 10% 0805 X7R	D 2
C47	A11427-104K2	.1UF 50V CHIP CAP 10% 0805 X7R	E 2
C48	A11427-104K2	.1UF 50V CHIP CAP 10% 0805 X7R	P 2
C49	A11427-104K2	.1UF 50V CHIP CAP 10% 0805 X7R	Q 2
C50	A11427-104K2	.1UF 50V CHIP CAP 10% 0805 X7R	K 2
C51	A11427-104K2	.1UF 50V CHIP CAP 10% 0805 X7R	K 2
C52	A11369-330J2	33 PF 50V 5% NPO MLC 0805	B 8
C53	A11369-330J2	33 PF 50V 5% NPO MLC 0805	B 9
C54	A11369-102J2	.001UF 50V 5% NPO MLC 0805 T/R	M 12
C55	103418-103J2	.01UF 5% 100V X7R 0805	E 11
C56	A11369-5R6D2	5.6PF 50V +/- .5PF NPO MLC 0805	F 10

C57	A11369-5R6D2	5.6PF 50V +/- .5PF NPO MLC 0805	F 10
C58	103418-103J2	.01UF 5% 100V X7R 0805	K 3
C59	A11427-104K2	.1UF 50V CHIP CAP 10% 0805 X7R	J 2
C62	103418-103J2	.01UF 5% 100V X7R 0805	K 2
C63	A11427-104K2	.1UF 50V CHIP CAP 10% 0805 X7R	J 2
C64	A11369-221J2	220 PF 50V 5% NPO MLC 0805 T/R	H 10
C65	A11427-104K2	.1UF 50V CHIP CAP 10% 0805 X7R	N 13
C66	A11427-104K2	.1UF 50V CHIP CAP 10% 0805 X7R	J 2
C67	A11427-104K2	.1UF 50V CHIP CAP 10% 0805 X7R	J 2
C68	103418-103J2	.01UF 5% 100V X7R 0805	P 11
C69	103418-103J2	.01UF 5% 100V X7R 0805	O 11
C70	A11427-104K2	.1UF 50V CHIP CAP 10% 0805 X7R	E 7
C71	A11427-104K2	.1UF 50V CHIP CAP 10% 0805 X7R	E 7
C74	133875-1	CAP, 1UF 10% 10V X7R 0805 SMT	F 12
C75	A11427-104K2	.1UF 50V CHIP CAP 10% 0805 X7R	M 12
C100	A11369-470K2	47PF 50V 10% NPO 0805 T/R	J 13
C101	A11369-470K2	47PF 50V 10% NPO 0805 T/R	J 13
C102	A11427-184J5	0.18UF 50V 5% X7R 1206 T/R	K 2
C103	A11369-220J2	22 PF 5% 50V NPO CER CHIP	J 13
C104	A11427-224J5	0.22UF 50V 5% X7R 1206 T/R	L 2
C105	A11427-223K5	0.022UF 50V 10% 1206 T/R	M 1
C106	A11427-223K5	0.022UF 50V 10% 1206 T/R	M 1
C107	C10208-4	100.UF 25V 20% RAD ELECT T/R	K 2
C108	A11369-100J2	CAP, 10PF 5% 50V SMT 0805	J 2
C109	C 9465-3	10UF 50V 20% VERT ELECT T/A	K 13
C110	C10466-8	.22UF 50V 5% MTL FILM RDL T/A	K 13
C111	C10501-2	.022UF 50V 5% POLYESTER T/R	K 13
C112	C10501-2	.022UF 50V 5% POLYESTER T/R	K 13
C113	131788-1	CAP, 0.68UF 50V 5% METAL FILM	K 13
C114	131787-1	CAP, 0.068UF 50V 5% METAL FILM	K 13
C115	131787-1	CAP, 0.068UF 50V 5% METAL FILM	K 13
C116	131788-1	CAP, 0.68UF 50V 5% METAL FILM	L 13
C117	131787-1	CAP, 0.068UF 50V 5% METAL FILM	L 13
C118	131787-1	CAP, 0.068UF 50V 5% METAL FILM	L 13
C119	A11427-104K2	.1UF 50V CHIP CAP 10% 0805 X7R	L 13
C120	A11369-470K2	47PF 50V 10% NPO 0805 T/R	E 1
C121	A11427-104K2	.1UF 50V CHIP CAP 10% 0805 X7R	K 12
C122	103418-103J2	.01UF 5% 100V X7R 0805	K 13
C123	A11369-221J2	220 PF 50V 5% NPO MLC 0805 T/R	J 13
C125	A11369-221J2	220 PF 50V 5% NPO MLC 0805 T/R	J 12
C126	A11369-221J2	220 PF 50V 5% NPO MLC 0805 T/R	K 12
C127	A11369-222J2	CAP, 2200PF 50V NPO 5% 0805	K 12
C130	132637-1	CAP, 27PF 10% 500V NPO 1206	K 11
C131	A11369-470K2	47PF 50V 10% NPO 0805 T/R	K 12
C132	A11369-100J2	CAP, 10PF 5% 50V SMT 0805	K 12
C133	A11369-100J2	CAP, 10PF 5% 50V SMT 0805	K 11
C134	A11369-102J2	.001UF 50V 5% NPO MLC 0805 T/R	N 12
C135	C10208-4	100.UF 25V 20% RAD ELECT T/R	M 12
C136	A11427-104K2	.1UF 50V CHIP CAP 10% 0805 X7R	M 2
C137	C10501-2	.022UF 50V 5% POLYESTER T/R	D 2
C138	A11427-224J5	0.22UF 50V 5% X7R 1206 T/R	D 2
C139	125817-1	22UF 25V 20% NP VERT T/R	D 3
C140	A11369-471J2	CAP, 470PF 5% 50V SMT 0805	P 10
C141	A10434-104JD	.1UF 250V 5% MTL POLY FILM T/A	Q 3
C142	138706-1	CAP, 220PF 5% 500V NPO 1206	O 7
C143	132637-1	CAP, 27PF 10% 500V NPO 1206	P 9
C144	A11369-470K2	47PF 50V 10% NPO 0805 T/R	N 6
C145	132637-1	CAP, 27PF 10% 500V NPO 1206	P 7
C146	132637-1	CAP, 27PF 10% 500V NPO 1206	P 9

C147	138706-1	CAP, 220PF 5% 500V NPO 1206	K 7
C148	A11369-471J2	CAP, 470PF 5% 50V SMT 0805	O 10
C149	A10434-104JD	.1UF 250V 5% MTL POLY FILM T/A	M 3
C150	C10501-2	.022UF 50V 5% POLYESTER T/R	P 2
C151	A11427-224J5	0.22UF 50V 5% X7R 1206 T/R	P 2
C152	125817-1	22UF 25V 20% NP VERT T/R	P 3
C153		OPEN	K 7
C154	C10466-8	.22UF 50V 5% MTL FILM RDL T/A	K 11
C155	A10434-473JD	.047UF 250VDC 5% MET POLY T/A	N 16
C156	A10434-473JD	.047UF 250VDC 5% MET POLY T/A	N 15
C157	A11427-104K2	.1UF 50V CHIP CAP 10% 0805 X7R	J 13
C158	A11427-104K2	.1UF 50V CHIP CAP 10% 0805 X7R	J 13
C159	A11427-104K2	.1UF 50V CHIP CAP 10% 0805 X7R	J 12
C160	A11427-104K2	.1UF 50V CHIP CAP 10% 0805 X7R	K 12
C163	A11427-104K2	.1UF 50V CHIP CAP 10% 0805 X7R	J 2
C164	A11427-104K2	.1UF 50V CHIP CAP 10% 0805 X7R	J 2
C165	A11427-104K2	.1UF 50V CHIP CAP 10% 0805 X7R	J 2
C166	A11427-104K2	.1UF 50V CHIP CAP 10% 0805 X7R	J 2
C167	A11427-104K2	.1UF 50V CHIP CAP 10% 0805 X7R	M 12
C168	A11427-104K2	.1UF 50V CHIP CAP 10% 0805 X7R	N 12
C169	A11427-104K2	.1UF 50V CHIP CAP 10% 0805 X7R	J 13
C170	A11427-104K2	.1UF 50V CHIP CAP 10% 0805 X7R	K 13
C171	A11427-104K2	.1UF 50V CHIP CAP 10% 0805 X7R	M 2
C172	A11427-104K2	.1UF 50V CHIP CAP 10% 0805 X7R	N 2
C173	A11427-104K2	.1UF 50V CHIP CAP 10% 0805 X7R	L 2
C174	A11427-104K2	.1UF 50V CHIP CAP 10% 0805 X7R	M 3
C182	C10208-4	100.UF 25V 20% RAD ELECT T/R	G 3
C183	C 8894-5	1UF 50V VERT 10% NP ELECT T/R	P 11
C184	C 8894-5	1UF 50V VERT 10% NP ELECT T/R	P 11
C185	A11427-224J5	0.22UF 50V 5% X7R 1206 T/R	I 12
C186	A11427-104K2	.1UF 50V CHIP CAP 10% 0805 X7R	F 3
C187	A11427-104K2	.1UF 50V CHIP CAP 10% 0805 X7R	F 3
C190	A11427-104K2	.1UF 50V CHIP CAP 10% 0805 X7R	P 11
C191	A11427-104K2	.1UF 50V CHIP CAP 10% 0805 X7R	P 11
C192	A11369-470K2	47PF 50V 10% NPO 0805 T/R	F 3
C193	A11369-470K2	47PF 50V 10% NPO 0805 T/R	F 3
C194	A10434-104JD	.1UF 250V 5% MTL POLY FILM T/A	B 3
C195	A10434-104JD	.1UF 250V 5% MTL POLY FILM T/A	B 5
C196	A11369-470K2	47PF 50V 10% NPO 0805 T/R	E 1
C197	125817-1	22UF 25V 20% NP VERT T/R	K 10
C198	125817-1	22UF 25V 20% NP VERT T/R	J 10
C200	A11369-470K2	47PF 50V 10% NPO 0805 T/R	H 13
C201	A11369-470K2	47PF 50V 10% NPO 0805 T/R	I 13
C202	A11427-184J5	0.18UF 50V 5% X7R 1206 T/R	J 2
C203	A11369-220J2	22 PF 5% 50V NPO CER CHIP	H 13
C204	A11427-224J5	0.22UF 50V 5% X7R 1206 T/R	H 1
C205	A11427-223K5	0.022UF 50V 10% 1206 T/R	H 2
C206	A11427-223K5	0.022UF 50V 10% 1206 T/R	G 2
C207	C10208-4	100.UF 25V 20% RAD ELECT T/R	K 2
C208	A11369-100J2	CAP, 10PF 5% 50V SMT 0805	J 2
C209	C 9465-3	10UF 50V 20% VERT ELECT T/A	H 13
C210	C10466-8	.22UF 50V 5% MTL FILM RDL T/A	G 13
C211	C10501-2	.022UF 50V 5% POLYESTER T/R	G 13
C212	C10501-2	.022UF 50V 5% POLYESTER T/R	G 13
C213	131788-1	CAP, 0.68UF 50V 5% METAL FILM	G 13
C214	131787-1	CAP, 0.068UF 50V 5% METAL FILM	G 13
C215	131787-1	CAP, 0.068UF 50V 5% METAL FILM	G 13
C216	131788-1	CAP, 0.68UF 50V 5% METAL FILM	G 13
C217	131787-1	CAP, 0.068UF 50V 5% METAL FILM	G 13

C218	131787-1	CAP, 0.068UF 50V 5% METAL FILM	G 13
C219	A11427-104K2	.1UF 50V CHIP CAP 10% 0805 X7R	G 13
C221	A11427-104K2	.1UF 50V CHIP CAP 10% 0805 X7R	G 12
C222	103418-103J2	.01UF 5% 100V X7R 0805	G 12
C223	A11369-221J2	220 PF 50V 5% NPO MLC 0805 T/R	H 13
C225	A11369-221J2	220 PF 50V 5% NPO MLC 0805 T/R	H 12
C226	A11369-221J2	220 PF 50V 5% NPO MLC 0805 T/R	G 12
C227	A11369-222J2	CAP, 2200PF 50V NPO 5% 0805	G 12
C230	132637-1	CAP, 27PF 10% 500V NPO 1206	G 11
C231	A11369-470K2	47PF 50V 10% NPO 0805 T/R	G 12
C232	A11369-100J2	CAP, 10PF 5% 50V SMT 0805	H 12
C233	A11369-100J2	CAP, 10PF 5% 50V SMT 0805	H 11
C234	A11369-102J2	.001UF 50V 5% NPO MLC 0805 T/R	L 12
C235	C10208-4	100.UF 25V 20% RAD ELECT T/R	M 12
C236	A11427-104K2	.1UF 50V CHIP CAP 10% 0805 X7R	H 2
C237	C10501-2	.022UF 50V 5% POLYESTER T/R	E 2
C238	A11427-224J5	0.22UF 50V 5% X7R 1206 T/R	E 2
C239	125817-1	22UF 25V 20% NP VERT T/R	E 3
C240	A11369-471J2	CAP, 470PF 5% 50V SMT 0805	P 8
C241	A10434-104JD	.1UF 250V 5% MTL POLY FILM T/A	I 3
C242	138706-1	CAP, 220PF 5% 500V NPO 1206	G 7
C243	132637-1	CAP, 27PF 10% 500V NPO 1206	O 8
C244	A11369-470K2	47PF 50V 10% NPO 0805 T/R	G 6
C245	132637-1	CAP, 27PF 10% 500V NPO 1206	P 9
C246	132637-1	CAP, 27PF 10% 500V NPO 1206	O 8
C247	138706-1	CAP, 220PF 5% 500V NPO 1206	C 7
C248	A11369-471J2	CAP, 470PF 5% 50V SMT 0805	O 8
C249	A10434-104JD	.1UF 250V 5% MTL POLY FILM T/A	C 3
C250	C10501-2	.022UF 50V 5% POLYESTER T/R	Q 2
C251	A11427-224J5	0.22UF 50V 5% X7R 1206 T/R	Q 2
C252	125817-1	22UF 25V 20% NP VERT T/R	Q 3
C253	A10434-473JD	.047UF 250VDC 5% MET POLY T/A	I 7
C254	C10466-8	.22UF 50V 5% MTL FILM RDL T/A	G 11
C255	A10434-473JD	.047UF 250VDC 5% MET POLY T/A	M 16
C256	A10434-473JD	.047UF 250VDC 5% MET POLY T/A	M 15
C257	A11427-104K2	.1UF 50V CHIP CAP 10% 0805 X7R	H 13
C258	A11427-104K2	.1UF 50V CHIP CAP 10% 0805 X7R	I 13
C259	A11427-104K2	.1UF 50V CHIP CAP 10% 0805 X7R	G 12
C260	A11427-104K2	.1UF 50V CHIP CAP 10% 0805 X7R	H 12
C267	A11427-104K2	.1UF 50V CHIP CAP 10% 0805 X7R	L 12
C268	A11427-104K2	.1UF 50V CHIP CAP 10% 0805 X7R	M 12
C269	A11427-104K2	.1UF 50V CHIP CAP 10% 0805 X7R	G 13
C270	A11427-104K2	.1UF 50V CHIP CAP 10% 0805 X7R	H 13
C271	A11427-104K2	.1UF 50V CHIP CAP 10% 0805 X7R	G 2
C272	A11427-104K2	.1UF 50V CHIP CAP 10% 0805 X7R	H 2
C273	A11427-104K2	.1UF 50V CHIP CAP 10% 0805 X7R	H 2
C274	A11427-104K2	.1UF 50V CHIP CAP 10% 0805 X7R	I 2
C282	C10208-4	100.UF 25V 20% RAD ELECT T/R	F 3
C283	C 8894-5	1UF 50V VERT 10% NP ELECT T/R	O 11
C284	C 8894-5	1UF 50V VERT 10% NP ELECT T/R	O 11
C285	A11427-224J5	0.22UF 50V 5% X7R 1206 T/R	J 11
C290	A11427-104K2	.1UF 50V CHIP CAP 10% 0805 X7R	O 11
C291	A11427-104K2	.1UF 50V CHIP CAP 10% 0805 X7R	O 11
C300	A11427-104K2	.1UF 50V CHIP CAP 10% 0805 X7R	P 9
C301	A11427-104K2	.1UF 50V CHIP CAP 10% 0805 X7R	O 9
C400	A11427-104K2	.1UF 50V CHIP CAP 10% 0805 X7R	P 8
C401	A11427-104K2	.1UF 50V CHIP CAP 10% 0805 X7R	N 8
C801	103418-103J2	.01UF 5% 100V X7R 0805	K 15
C802	103418-103J2	.01UF 5% 100V X7R 0805	I 15

C803	A11369-221J2	220 PF 50V 5% NPO MLC 0805 T/R	K 15
C804	A11369-221J2	220 PF 50V 5% NPO MLC 0805 T/R	I 15
C805	A11369-221J2	220 PF 50V 5% NPO MLC 0805 T/R	J 15
C806	A11369-221J2	220 PF 50V 5% NPO MLC 0805 T/R	H 15
C900	137030-1	CAP, 1UF X2 REDUCED SIZE	B 13
C901	138359-1	PRP, C10325-6 2200PF 250V .125	C 8
C902	138359-1	PRP, C10325-6 2200PF 250V .125	C 8
C903	137030-1	CAP, 1UF X2 REDUCED SIZE	B 7
C904	138359-1	PRP, C10325-6 2200PF 250V .125	B 13
C905	138359-1	PRP, C10325-6 2200PF 250V .125	B 12
C906	130636-103J5	0.01UF 500V 5% X7R 1206 T/R	B 9
C908	134163-1	CAP, 2700UF 20% 200V ELECT	L 8
C909	134163-1	CAP, 2700UF 20% 200V ELECT	M 9
C910		OPEN	J 8
C911		OPEN	J 9
C912	131310-2	CAP, 1200UF 200VDC PC MNT ELECT	K 8
C913	131310-2	CAP, 1200UF 200VDC PC MNT ELECT	K 9
C914	125434-1	CAP, .068UF 400V FILM POLYESTER	J 9
C915	131312-1	0.01UF 400V 5% MET POLY RAD	I 9
C916	C 8576-8	100UF 35V 10% ALUM ELECT T/A	G 7
C917	C 4477-3	470 UF 35V VERT	E 12
C918	C 5362-6	2.2UF 50V VERT ELECT T/A	C 11
C919	C 5362-6	2.2UF 50V VERT ELECT T/A	D 12
C920	A11369-102J2	.001UF 50V 5% NPO MLC 0805 T/R	A 7
C921	A11427-224J5	0.22UF 50V 5% X7R 1206 T/R	E 12
C922	A10432-151KF	150PF 630VDC 10% PROP CAP T/A	I 8
C923	A10432-151KF	150PF 630VDC 10% PROP CAP T/A	H 9
C924	138679-1	PRP, 134115-1 .22UF 630V .125	G 8
C925	A10432-151KF	150PF 630VDC 10% PROP CAP T/A	D 10
C926	A11427-104K2	.1UF 50V CHIP CAP 10% 0805 X7R	F 7
C927	133323-1	CAP, 3800UF 125V ALUM ELECT	B 3
C928	133323-1	CAP, 3800UF 125V ALUM ELECT	B 4
C929		OPEN	Q 11
C930	133323-1	CAP, 3800UF 125V ALUM ELECT	Q 9
C931	133323-1	CAP, 3800UF 125V ALUM ELECT	Q 10
C932		OPEN	Q 8
C933	C 4477-3	470 UF 35V VERT	E 7
C934	C 4477-3	470 UF 35V VERT	E 7
C935	C 4477-3	470 UF 35V VERT	F 7
C936	C 4477-3	470 UF 35V VERT	E 7
C937	C10208-4	100.UF 25V 20% RAD ELECT T/R	Q 7
C938	C10208-4	100.UF 25V 20% RAD ELECT T/R	N 7
C939	C10208-4	100.UF 25V 20% RAD ELECT T/R	F 7
C940	C10208-4	100.UF 25V 20% RAD ELECT T/R	I 7
C941	A11427-104K2	.1UF 50V CHIP CAP 10% 0805 X7R	E 12
C942	A11369-102J2	.001UF 50V 5% NPO MLC 0805 T/R	D 12
C943	A11369-102J2	.001UF 50V 5% NPO MLC 0805 T/R	D 12
C945	138679-1	PRP, 134115-1 .22UF 630V .125	H 8
C946	134382-1	CAP, 0.047UF 5% 400V POLYESTER	I 9
D1	C 9773-0	DIODE, ZENER 5.1V 1N5231 SMT	H 11
D2	C 7478-8	1N4148 MINIMELF CHIP DIODE T/R	N 11
D3	C 7478-8	1N4148 MINIMELF CHIP DIODE T/R	N 11
D4	C 7478-8	1N4148 MINIMELF CHIP DIODE T/R	N 11
D5	C 7478-8	1N4148 MINIMELF CHIP DIODE T/R	C 2
D6	133272-1	DIODE, ZENER 250MW 15V SOT23	B 2
D7	133272-1	DIODE, ZENER 250MW 15V SOT23	B 2
D8	133272-1	DIODE, ZENER 250MW 15V SOT23	O 3
D9	133272-1	DIODE, ZENER 250MW 15V SOT23	O 2
D10	C 7478-8	1N4148 MINIMELF CHIP DIODE T/R	I 9

D11	C 7478-8	1N4148 MINIMELF CHIP DIODE T/R	I 9
D12	C 7478-8	1N4148 MINIMELF CHIP DIODE T/R	G 9
D13	C 7478-8	1N4148 MINIMELF CHIP DIODE T/R	G 9
D14	C 7478-8	1N4148 MINIMELF CHIP DIODE T/R	N 12
D16		OPEN	G 11
D17	C 7478-8	1N4148 MINIMELF CHIP DIODE T/R	F 11
D18	C 7478-8	1N4148 MINIMELF CHIP DIODE T/R	F 12
D19	C 7478-8	1N4148 MINIMELF CHIP DIODE T/R	E 12
D20	C 7478-8	1N4148 MINIMELF CHIP DIODE T/R	F 11
D21	C 7478-8	1N4148 MINIMELF CHIP DIODE T/R	E 11
D22	C 7478-8	1N4148 MINIMELF CHIP DIODE T/R	G 10
D23	C 7478-8	1N4148 MINIMELF CHIP DIODE T/R	G 10
D24	C 7478-8	1N4148 MINIMELF CHIP DIODE T/R	M 11
D25	C 7478-8	1N4148 MINIMELF CHIP DIODE T/R	M 12
D26	C 7478-8	1N4148 MINIMELF CHIP DIODE T/R	G 11
D29	132558-1	DIODE, TL431ACD ADJ SMT REF	G 11
D30	C 7478-8	1N4148 MINIMELF CHIP DIODE T/R	H 10
D31	C 7478-8	1N4148 MINIMELF CHIP DIODE T/R	H 10
D100	C 7478-8	1N4148 MINIMELF CHIP DIODE T/R	K 2
D101	C 7478-8	1N4148 MINIMELF CHIP DIODE T/R	K 2
D102	C 7478-8	1N4148 MINIMELF CHIP DIODE T/R	K 2
D103	C 7478-8	1N4148 MINIMELF CHIP DIODE T/R	K 2
D104	C 7478-8	1N4148 MINIMELF CHIP DIODE T/R	K 2
D105	C 7478-8	1N4148 MINIMELF CHIP DIODE T/R	K 13
D106	C 7478-8	1N4148 MINIMELF CHIP DIODE T/R	L 11
D107	C 7478-8	1N4148 MINIMELF CHIP DIODE T/R	K 11
D108	C 7478-8	1N4148 MINIMELF CHIP DIODE T/R	J 12
D109	C10370-2	DIODE, ZENER 10V MMBZ5240BL	L 2
D110	C 7478-8	1N4148 MINIMELF CHIP DIODE T/R	M 13
D111	C 7478-8	1N4148 MINIMELF CHIP DIODE T/R	M 12
D112	C 7478-8	1N4148 MINIMELF CHIP DIODE T/R	F 2
D113	C 7478-8	1N4148 MINIMELF CHIP DIODE T/R	P 10
D114	C 7478-8	1N4148 MINIMELF CHIP DIODE T/R	P 10
D115	C 7478-8	1N4148 MINIMELF CHIP DIODE T/R	P 10
D116	C 7478-8	1N4148 MINIMELF CHIP DIODE T/R	P 10
D117	C 7478-8	1N4148 MINIMELF CHIP DIODE T/R	P 10
D118	C 7478-8	1N4148 MINIMELF CHIP DIODE T/R	P 9
D119	C 7478-8	1N4148 MINIMELF CHIP DIODE T/R	P 9
D120	133264-1	DIODE, 250V SWITCH MINIMELF	P 10
D121	C 7478-8	1N4148 MINIMELF CHIP DIODE T/R	Q 10
D122	C 7478-8	1N4148 MINIMELF CHIP DIODE T/R	P 9
D123	C 7478-8	1N4148 MINIMELF CHIP DIODE T/R	P 9
D125	C 7478-8	1N4148 MINIMELF CHIP DIODE T/R	P 9
D126	C 7478-8	1N4148 MINIMELF CHIP DIODE T/R	P 7
D127	C 7478-8	1N4148 MINIMELF CHIP DIODE T/R	P 8
D128	C 7478-8	1N4148 MINIMELF CHIP DIODE T/R	P 8
D129	C 7478-8	1N4148 MINIMELF CHIP DIODE T/R	P 8
D130	C 7478-8	1N4148 MINIMELF CHIP DIODE T/R	P 9
D131	C 7478-8	1N4148 MINIMELF CHIP DIODE T/R	O 10
D132	C 7478-8	1N4148 MINIMELF CHIP DIODE T/R	O 9
D133	C 7478-8	1N4148 MINIMELF CHIP DIODE T/R	O 9
D134	C 7478-8	1N4148 MINIMELF CHIP DIODE T/R	O 9
D135	133264-1	DIODE, 250V SWITCH MINIMELF	O 10
D136	C 7478-8	1N4148 MINIMELF CHIP DIODE T/R	O 10
D137	C 7478-8	1N4148 MINIMELF CHIP DIODE T/R	O 10
D138	C 7478-8	1N4148 MINIMELF CHIP DIODE T/R	O 10
D139	C 7478-8	1N4148 MINIMELF CHIP DIODE T/R	O 9
D140	C 7478-8	1N4148 MINIMELF CHIP DIODE T/R	N 2
D141	C10067-4	DIODE, 1A 100V SILICON SMT T/R	L 7

D142	131613-1	DIODE, 50A FAST T/R	Q 7
D143	131613-1	DIODE, 50A FAST T/R	P 7
D147	C 7478-8	1N4148 MINIMELF CHIP DIODE T/R	J 3
D151	C 7478-8	1N4148 MINIMELF CHIP DIODE T/R	L 11
D200	C 7478-8	1N4148 MINIMELF CHIP DIODE T/R	K 2
D201	C 7478-8	1N4148 MINIMELF CHIP DIODE T/R	J 3
D202	C 7478-8	1N4148 MINIMELF CHIP DIODE T/R	K 3
D203	C 7478-8	1N4148 MINIMELF CHIP DIODE T/R	K 3
D204	C 7478-8	1N4148 MINIMELF CHIP DIODE T/R	J 3
D205	C 7478-8	1N4148 MINIMELF CHIP DIODE T/R	G 13
D206	C 7478-8	1N4148 MINIMELF CHIP DIODE T/R	G 11
D207	C 7478-8	1N4148 MINIMELF CHIP DIODE T/R	G 11
D208	C 7478-8	1N4148 MINIMELF CHIP DIODE T/R	H 12
D209	C10370-2	DIODE, ZENER 10V MMBZ5240BL	I 2
D210	C 7478-8	1N4148 MINIMELF CHIP DIODE T/R	M 13
D211	C 7478-8	1N4148 MINIMELF CHIP DIODE T/R	M 12
D212	C 7478-8	1N4148 MINIMELF CHIP DIODE T/R	G 2
D213	C 7478-8	1N4148 MINIMELF CHIP DIODE T/R	O 7
D214	C 7478-8	1N4148 MINIMELF CHIP DIODE T/R	O 7
D215	C 7478-8	1N4148 MINIMELF CHIP DIODE T/R	O 7
D216	C 7478-8	1N4148 MINIMELF CHIP DIODE T/R	O 9
D217	C 7478-8	1N4148 MINIMELF CHIP DIODE T/R	O 9
D218	C 7478-8	1N4148 MINIMELF CHIP DIODE T/R	O 9
D219	C 7478-8	1N4148 MINIMELF CHIP DIODE T/R	P 8
D220	133264-1	DIODE, 250V SWITCH MINIMELF	O 7
D221	C 7478-8	1N4148 MINIMELF CHIP DIODE T/R	O 7
D222	C 7478-8	1N4148 MINIMELF CHIP DIODE T/R	O 8
D223	C 7478-8	1N4148 MINIMELF CHIP DIODE T/R	O 8
D225	C 7478-8	1N4148 MINIMELF CHIP DIODE T/R	O 9
D226	C 7478-8	1N4148 MINIMELF CHIP DIODE T/R	O 8
D227	C 7478-8	1N4148 MINIMELF CHIP DIODE T/R	O 8
D228	C 7478-8	1N4148 MINIMELF CHIP DIODE T/R	N 8
D229	C 7478-8	1N4148 MINIMELF CHIP DIODE T/R	N 7
D230	C 7478-8	1N4148 MINIMELF CHIP DIODE T/R	O 9
D231	C 7478-8	1N4148 MINIMELF CHIP DIODE T/R	N 7
D232	C 7478-8	1N4148 MINIMELF CHIP DIODE T/R	O 8
D233	C 7478-8	1N4148 MINIMELF CHIP DIODE T/R	O 8
D234	C 7478-8	1N4148 MINIMELF CHIP DIODE T/R	O 8
D235	133264-1	DIODE, 250V SWITCH MINIMELF	N 7
D236	C 7478-8	1N4148 MINIMELF CHIP DIODE T/R	O 8
D237	C 7478-8	1N4148 MINIMELF CHIP DIODE T/R	O 8
D238	C 7478-8	1N4148 MINIMELF CHIP DIODE T/R	O 8
D239	C 7478-8	1N4148 MINIMELF CHIP DIODE T/R	O 8
D240	C 7478-8	1N4148 MINIMELF CHIP DIODE T/R	O 2
D241	C10067-4	DIODE, 1A 100V SILICON SMT T/R	D 7
D242	131613-1	DIODE, 50A FAST T/R	I 7
D243	131613-1	DIODE, 50A FAST T/R	C 7
D247	C 7478-8	1N4148 MINIMELF CHIP DIODE T/R	J 3
D251	C 7478-8	1N4148 MINIMELF CHIP DIODE T/R	L 12
D900	C 7478-8	1N4148 MINIMELF CHIP DIODE T/R	D 11
D901	125770-1	RECT, 35A 600V PC MNT BRIDGE	B 9
D901A	133559-1	CLIP, INLINE RECTIFIER	B 9
D901B	133415-3	SHIELD, EMI	B 9
D901C	103415-10605	SCR, #6-32X.312 SEMS TFS CONE	B 7
D902	C 7478-8	1N4148 MINIMELF CHIP DIODE T/R	D 12
D903	C 7478-8	1N4148 MINIMELF CHIP DIODE T/R	C 11
D904	C 7478-8	1N4148 MINIMELF CHIP DIODE T/R	C 12
D905	C 7478-8	1N4148 MINIMELF CHIP DIODE T/R	C 11
D906	C 7478-8	1N4148 MINIMELF CHIP DIODE T/R	C 12

D907	C10370-2	DIODE, ZENER 10V MMBZ5240BL	E 12
D908	C 7478-8	1N4148 MINIMELF CHIP DIODE T/R	D 12
D909	C 7478-8	1N4148 MINIMELF CHIP DIODE T/R	E 10
D910	C 7478-8	1N4148 MINIMELF CHIP DIODE T/R	E 10
D913	C 7478-8	1N4148 MINIMELF CHIP DIODE T/R	E 11
D914	C 7478-8	1N4148 MINIMELF CHIP DIODE T/R	E 11
D915	C 7478-8	1N4148 MINIMELF CHIP DIODE T/R	D 11
D916	C 7478-8	1N4148 MINIMELF CHIP DIODE T/R	D 11
D917	134827-1	DIODE, SCHOTTKY 100V 3A SMC	C 7
D918	134827-1	DIODE, SCHOTTKY 100V 3A SMC	D 7
D919	134827-1	DIODE, SCHOTTKY 100V 3A SMC	D 7
D920	134827-1	DIODE, SCHOTTKY 100V 3A SMC	E 7
D921	125594-1	DIODE, RECTIFIER 400V 1A SMB	Q 7
D922	125594-1	DIODE, RECTIFIER 400V 1A SMB	Q 7
D923	125594-1	DIODE, RECTIFIER 400V 1A SMB	M 7
D924	125594-1	DIODE, RECTIFIER 400V 1A SMB	M 7
D925	125594-1	DIODE, RECTIFIER 400V 1A SMB	E 7
D926	125594-1	DIODE, RECTIFIER 400V 1A SMB	F 7
D927	125594-1	DIODE, RECTIFIER 400V 1A SMB	I 7
D928	125594-1	DIODE, RECTIFIER 400V 1A SMB	J 7
D929	138676-1	PRP, 132039-1 (DSEP29-06A).300	B 6
D930	138676-1	PRP, 132039-1 (DSEP29-06A).300	B 5
D931	138676-1	PRP, 132039-1 (DSEP29-06A).300	B 7
D932	138676-1	PRP, 132039-1 (DSEP29-06A).300	B 6
D933	C 7478-8	1N4148 MINIMELF CHIP DIODE T/R	M 12
E1	136345-1	LED, YELLOW 1206 INNER LENS	C 2
E2	136344-1	LED, BLUE 1206 INNER LENS	C 2
E3	136345-1	LED, YELLOW 1206 INNER LENS	C 2
E100	136342-1	LED, RED 1206 INNER LENS	L 2
E101	136342-1	LED, RED 1206 INNER LENS	L 2
E102	136342-1	LED, RED 1206 INNER LENS	L 2
E103	136343-1	LED, GREEN 1206 INNER LENS	L 2
E104	136343-1	LED, GREEN 1206 INNER LENS	L 2
E105	136343-1	LED, GREEN 1206 INNER LENS	L 2
E106	136343-1	LED, GREEN 1206 INNER LENS	L 3
E200	136342-1	LED, RED 1206 INNER LENS	I 2
E201	136342-1	LED, RED 1206 INNER LENS	I 2
E202	136342-1	LED, RED 1206 INNER LENS	I 2
E203	136343-1	LED, GREEN 1206 INNER LENS	I 2
E204	136343-1	LED, GREEN 1206 INNER LENS	I 2
E205	136343-1	LED, GREEN 1206 INNER LENS	I 2
E206	136343-1	LED, GREEN 1206 INNER LENS	I 3
F1	A10285-51	FUSE, 40MA 250V 5X20 SLO-BLOW	A 12
F1X	134380-1	FUSE CLIP, PC MNT 5MM T/A	A 12
F1XX	134380-1	FUSE CLIP, PC MNT 5MM T/A	A 11
FB1	125846-1	FERRITE BEAD, 600 OHM .5A 0805	K 15
FB2	125846-1	FERRITE BEAD, 600 OHM .5A 0805	I 15
FB3	125846-1	FERRITE BEAD, 600 OHM .5A 0805	J 15
FB4	125846-1	FERRITE BEAD, 600 OHM .5A 0805	H 15
FB903	134836-1	FERRITE, SMT BEAD 50 OHM	D 7
FB904	134836-1	FERRITE, SMT BEAD 50 OHM	D 7
FB909	135081-2	JUMPER, 14 AWG W/BEAD	B 3
FB910	135081-2	JUMPER, 14 AWG W/BEAD	B 5
HS1	132676-2	HS, TO-220 BRIDGE	B 6
HS1A	103415-10605	SCR, #6-32X.312 SEMS TFS CONE	B 6
HS1B	103436-10606	SCR, 6-32X.375 MACH TORX SEMS	B 6
HS1C	103436-10606	SCR, 6-32X.375 MACH TORX SEMS	B 5
HS1D	135003-1	INSULATOR, CER 2.10X0.85X.04	B 6
HS1E	134671-1	CLIP, 4 FINGER STAINLESS	B 6

HS101	132644-4	HS, 3 X TO-3 ALUM EXT	P 4
HS101A	103415-70608	SCREW,6-32 X.5 TORX PNHD SEM	P 4
HS101B	103415-70608	SCREW,6-32 X.5 TORX PNHD SEM	O 6
HS101C	103415-70608	SCREW,6-32 X.5 TORX PNHD SEM	Q 6
HS101D	133930-1	CLIP, TEE BAR	D 6
HS101E	102659-1	NPN, TO-3 MJ21194 PWR	O 5
HS101F	102659-1	NPN, TO-3 MJ21194 PWR	P 5
HS101G		OPEN	Q 5
HS101H	131029-10604	SCR,#6-32X0.250 THREAD ROLL	N 4
HS101I	131029-10604	SCR,#6-32X0.250 THREAD ROLL	O 5
HS101J	131029-10604	SCR,#6-32X0.250 THREAD ROLL	P 4
HS101K	131029-10604	SCR,#6-32X0.250 THREAD ROLL	Q 5
HS101L		OPEN	Q 4
HS101M		OPEN	R 5
HS102	132644-4	HS, 3 X TO-3 ALUM EXT	L 4
HS102A	103415-70608	SCREW,6-32 X.5 TORX PNHD SEM	L 4
HS102B	103415-70608	SCREW,6-32 X.5 TORX PNHD SEM	K 6
HS102C	103415-70608	SCREW,6-32 X.5 TORX PNHD SEM	M 6
HS102D	133930-1	CLIP, TEE BAR	H 6
HS102E	102659-1	NPN, TO-3 MJ21194 PWR	K 5
HS102F	102659-1	NPN, TO-3 MJ21194 PWR	L 5
HS102G		OPEN	M 5
HS102H	131029-10604	SCR,#6-32X0.250 THREAD ROLL	J 4
HS102I	131029-10604	SCR,#6-32X0.250 THREAD ROLL	K 5
HS102J	131029-10604	SCR,#6-32X0.250 THREAD ROLL	L 4
HS102K	131029-10604	SCR,#6-32X0.250 THREAD ROLL	M 5
HS102L		OPEN	M 4
HS102M		OPEN	N 5
HS201	132644-4	HS, 3 X TO-3 ALUM EXT	H 4
HS201A	103415-70608	SCREW,6-32 X.5 TORX PNHD SEM	H 4
HS201B	103415-70608	SCREW,6-32 X.5 TORX PNHD SEM	H 6
HS201C	103415-70608	SCREW,6-32 X.5 TORX PNHD SEM	I 6
HS201D	133930-1	CLIP, TEE BAR	L 6
HS201E	102659-1	NPN, TO-3 MJ21194 PWR	G 5
HS201F	102659-1	NPN, TO-3 MJ21194 PWR	H 5
HS201G		OPEN	I 5
HS201H	131029-10604	SCR,#6-32X0.250 THREAD ROLL	G 4
HS201I	131029-10604	SCR,#6-32X0.250 THREAD ROLL	H 5
HS201J	131029-10604	SCR,#6-32X0.250 THREAD ROLL	H 4
HS201K	131029-10604	SCR,#6-32X0.250 THREAD ROLL	I 5
HS201L		OPEN	I 4
HS201M		OPEN	J 5
HS202	132644-4	HS, 3 X TO-3 ALUM EXT	D 4
HS202A	103415-70608	SCREW,6-32 X.5 TORX PNHD SEM	D 4
HS202B	103415-70608	SCREW,6-32 X.5 TORX PNHD SEM	D 6
HS202C	103415-70608	SCREW,6-32 X.5 TORX PNHD SEM	E 6
HS202D	133930-1	CLIP, TEE BAR	P 6
HS202E	102659-1	NPN, TO-3 MJ21194 PWR	C 5
HS202F	102659-1	NPN, TO-3 MJ21194 PWR	D 5
HS202G		OPEN	E 5
HS202H	131029-10604	SCR,#6-32X0.250 THREAD ROLL	C 4
HS202I	131029-10604	SCR,#6-32X0.250 THREAD ROLL	D 5
HS202J	131029-10604	SCR,#6-32X0.250 THREAD ROLL	D 4
HS202K	131029-10604	SCR,#6-32X0.250 THREAD ROLL	E 5
HS202L		OPEN	E 4
HS202M		OPEN	F 5
HW1	101016-1	LBL, BARCODE	Q 12
HW2	133379-1	BRACKET, BARRIER STRIP	M 15
HW3	A10019-16	6 X 32 PCB CAPTIVE NUT	B 6

HW4	A10019-16	6 X 32 PCB CAPTIVE NUT	B 7
HW5	132565-2	SILPAD, 1.0 X 15.2 W/ADHESIVE	P 6
HW6	101016-1	LBL, BARCODE	O 11
HW7	135894-1	TAPE, .06X1X.75" W/ADHESIVE	B 10
HW8	135894-1	TAPE, .06X1X.75" W/ADHESIVE	B 9
HW10	A10110-70808	8-32 X .5 PNHD PH TAPTITE BLK	L 15
HW11	A10110-70808	8-32 X .5 PNHD PH TAPTITE BLK	N 15
HW12	135520-2	TAPE, 3/8" ROUND KAPTON 2MIL	D 5
HW13	135520-2	TAPE, 3/8" ROUND KAPTON 2MIL	H 5
HW14	135520-2	TAPE, 3/8" ROUND KAPTON 2MIL	L 5
HW15	135520-2	TAPE, 3/8" ROUND KAPTON 2MIL	P 5
HW16	C 8812-7	TIE, CABLE 5.5" OR MORE 18 LB	I 3
HW17	C 8812-7	TIE, CABLE 5.5" OR MORE 18 LB	M 3
HW18	C 8812-7	TIE, CABLE 5.5" OR MORE 18 LB	O 2
HW19	C 8812-7	TIE, CABLE 5.5" OR MORE 18 LB	R 2
J1	134126-1	BB, 4P PC MNT 8-32 W/MNT ENDS	M 15
J2	132551-1	RECEPT, 8PIN VERT .1 CTRS SMD	O 1
J2A	139941-1	CBL, 20PIN 9" MOLDED PICOFLEX	I 12
J2B	139940-1	CBL, 18PIN 9" MOLDED PICOFLEX	I 11
J3	132551-1	RECEPT, 8PIN VERT .1 CTRS SMD	F 1
J900	101571-1	HDR, 2 POS .1 CTR MTA SHRD	K 10
J901	101571-1	HDR, 2 POS .1 CTR MTA SHRD	N 13
K900	C10335-5	RELAY 30A 24V T90 SEALED CE	C 11
L100	102470-1	INDUCTOR, 2.75UH 11A RADIAL	N 3
L200	102470-1	INDUCTOR, 2.75UH 11A RADIAL	H 3
L900	134514-1	CHOKER, COMMON MODE 1.5MH 11A	B 12
L901	132045-1	CHOKER, COMMON MODE	B 9
L902	127988-1	CHOKER, 10UH <0.1OHM SMT .3" DIA	G 7
L903	132046-2	INDUCTOR, 1.65UH	F 9
L904	127988-1	CHOKER, 10UH <0.1OHM SMT .3" DIA	F 7
L905	127988-1	CHOKER, 10UH <0.1OHM SMT .3" DIA	J 7
P2A	C10570-7	20 PIN HDR PICOFLEX TIN	I 15
PWB1	138530-3	PWB, CTS600/1200	A 1
Q1	C 7448-1	MMBT3904 CHIP NPN	N 12
Q2	138674-1	PRP, 133282-1/C9918-1 (TIP32C)	N 12
Q3	125798-1	XSTR,MMBT3906 LT3 10K REEL	C 2
Q4	125798-1	XSTR,MMBT3906 LT3 10K REEL	C 2
Q5	C 3810-6	MPSA42 300V NPN T/R	C 3
Q6	C 3954-2	MPSA56 80V PNP T/R	A 2
Q7	C 3954-2	MPSA56 80V PNP T/R	A 2
Q8	C 3954-2	MPSA56 80V PNP T/R	B 2
Q9	501972-1	MPSA92 300V PNP T/A	O 2
Q10	C 3528-4	MPSA06 80V NPN T/R	O 2
Q11	C 3528-4	MPSA06 80V NPN T/R	O 2
Q12	C 3528-4	MPSA06 80V NPN T/R	O 3
Q17	125798-1	XSTR,MMBT3906 LT3 10K REEL	F 10
Q18	125798-1	XSTR,MMBT3906 LT3 10K REEL	F 10
Q19	C10421-3	FET, 60V N-CH 2N7002LT1 SOT-23	F 10
Q20	C10421-3	FET, 60V N-CH 2N7002LT1 SOT-23	F 11
Q25	501972-1	MPSA92 300V PNP T/A	N 11
Q26	C 8104-9	MPSW92 300V 1 WATT PNP T/R	P 10
Q27	C 8104-9	MPSW92 300V 1 WATT PNP T/R	P 10
Q28	C 8103-1	MPSW42 300V 1 WATT NPN T/R	O 10
Q29	C 8103-1	MPSW42 300V 1 WATT NPN T/R	O 10
Q30	C 8104-9	MPSW92 300V 1 WATT PNP T/R	P 8
Q31	C 8104-9	MPSW92 300V 1 WATT PNP T/R	P 8
Q32	C 8103-1	MPSW42 300V 1 WATT NPN T/R	O 8
Q33	C 8103-1	MPSW42 300V 1 WATT NPN T/R	O 8
Q34	C 3954-2	MPSA56 80V PNP T/R	A 2

Q35	C 3528-4	MPSA06 80V NPN T/R	N 2
Q36	134833-1	FET, N-CH JFET 30V SOT-23	L 12
Q39	134833-1	FET, N-CH JFET 30V SOT-23	G 12
Q100	C 7448-1	MMBT3904 CHIP NPN	K 2
Q101	125798-1	XSTR,MMBT3906 LT3 10K REEL	L 2
Q102	125798-1	XSTR,MMBT3906 LT3 10K REEL	L 2
Q103	125798-1	XSTR,MMBT3906 LT3 10K REEL	L 2
Q104	125798-1	XSTR,MMBT3906 LT3 10K REEL	L 2
Q105	125798-1	XSTR,MMBT3906 LT3 10K REEL	L 2
Q106	C 7448-1	MMBT3904 CHIP NPN	K 12
Q107	125798-1	XSTR,MMBT3906 LT3 10K REEL	K 12
Q108	125798-1	XSTR,MMBT3906 LT3 10K REEL	F 2
Q109	125798-1	XSTR,MMBT3906 LT3 10K REEL	F 2
Q110	125798-1	XSTR,MMBT3906 LT3 10K REEL	F 2
Q111	C 8104-9	MPSW92 300V 1 WATT PNP T/R	P 10
Q112	C 3810-6	MPSA42 300V NPN T/R	P 9
Q113	501972-1	MPSA92 300V PNP T/A	O 9
Q115	136169-1	FORMED, 136167-1 (15032)	O 6
Q116	C 7448-1	MMBT3904 CHIP NPN	N 6
Q117	136170-1	FORMED, 136168-1	K 6
Q119	C 8103-1	MPSW42 300V 1 WATT NPN T/R	O 10
Q120	125798-1	XSTR,MMBT3906 LT3 10K REEL	N 2
Q200	C 7448-1	MMBT3904 CHIP NPN	K 2
Q201	125798-1	XSTR,MMBT3906 LT3 10K REEL	I 2
Q202	125798-1	XSTR,MMBT3906 LT3 10K REEL	I 2
Q203	125798-1	XSTR,MMBT3906 LT3 10K REEL	I 2
Q204	125798-1	XSTR,MMBT3906 LT3 10K REEL	I 2
Q205	125798-1	XSTR,MMBT3906 LT3 10K REEL	I 2
Q206	C 7448-1	MMBT3904 CHIP NPN	G 12
Q207	125798-1	XSTR,MMBT3906 LT3 10K REEL	G 12
Q208	125798-1	XSTR,MMBT3906 LT3 10K REEL	G 2
Q209	125798-1	XSTR,MMBT3906 LT3 10K REEL	G 2
Q210	125798-1	XSTR,MMBT3906 LT3 10K REEL	G 2
Q211	C 8104-9	MPSW92 300V 1 WATT PNP T/R	P 8
Q212	C 3810-6	MPSA42 300V NPN T/R	O 8
Q213	501972-1	MPSA92 300V PNP T/A	O 8
Q215	136169-1	FORMED, 136167-1 (15032)	G 6
Q216	C 7448-1	MMBT3904 CHIP NPN	G 6
Q218	136170-1	FORMED, 136168-1	C 6
Q219	C 8103-1	MPSW42 300V 1 WATT NPN T/R	O 8
Q220	125798-1	XSTR,MMBT3906 LT3 10K REEL	O 2
Q500	501972-1	MPSA92 300V PNP T/A	G 3
Q600	501972-1	MPSA92 300V PNP T/A	F 3
Q605	125798-1	XSTR,MMBT3906 LT3 10K REEL	N 12
Q900	131047-1	TRANSISTOR, KSA1298 PNP SOT-23	D 11
Q901	C 7448-1	MMBT3904 CHIP NPN	E 11
Q902	C 7448-1	MMBT3904 CHIP NPN	D 12
Q903	C 7448-1	MMBT3904 CHIP NPN	D 11
Q904	C 7448-1	MMBT3904 CHIP NPN	D 11
Q905	137218-1	SCR, 12A MCR12DSN DPAK 369A	A 7
Q906	C 7448-1	MMBT3904 CHIP NPN	D 11
Q907	C 7448-1	MMBT3904 CHIP NPN	D 11
Q908	C 3810-6	MPSA42 300V NPN T/R	B 7
Q909	C 7448-1	MMBT3904 CHIP NPN	E 12
Q910	125798-1	XSTR,MMBT3906 LT3 10K REEL	E 11
Q911	138677-1	PRP, 137921-1 (20N60A4D) .350	H 8
Q911A	134233-2	HEATSINK, DUAL TO-247 CHIEF	G 9
Q911B	134234-2	CLIP, 2 FINGER STAINLESS	H 9
Q911C	103415-10605	SCR, #6-32X.312 SEMS TFS CONE	H 9

Q911D	103415-10605	SCR, #6-32X.312 SEMS TFS CONE	H 8
Q911E	D 8958-7	INS, CERAMIC .90 X .75 X .040	H 9
Q911F	134882-1	FOAM, 0.4X 0.25 W/ADHESIVE	G 9
Q912	138677-1	PRP, 137921-1 (20N60A4D) .350	G 9
Q912A	134233-2	HEATSINK, DUAL TO-247 CHIEF	I 9
Q912B	134234-2	CLIP, 2 FINGER STAINLESS	G 9
Q912C	103415-10605	SCR, #6-32X.312 SEMS TFS CONE	G 9
Q912D	103415-10605	SCR, #6-32X.312 SEMS TFS CONE	G 8
Q912E	D 8958-7	INS, CERAMIC .90 X .75 X .040	G 9
R1	A11368-20011	2.0K, 0.10W 1% MF 0805	H 11
R2	A11368-10041	1M OHM .1W 1% CHIP 0805	H 11
R3	A11368-10041	1M OHM .1W 1% CHIP 0805	H 11
R4	A11368-10041	1M OHM .1W 1% CHIP 0805	H 11
R5	A11368-10021	10K 1/10W 1% SMD 0805 T/R	N 11
R6	A11368-49911	4.99K 1/10W 1% SMD 0805 T/R	N 11
R7	A11368-49911	4.99K 1/10W 1% SMD 0805 T/R	N 12
R9	132556-1	RES, 0.68 OHM 5% 2W RADIAL	N 12
R10	A11368-78711	7.87K OHM 0.10W 1% 0805 T/R	B 2
R11	A11368-10021	10K 1/10W 1% SMD 0805 T/R	B 2
R12	A11368-18721	18.7KOHM 0.10W 1% SMT 0805	B 2
R13	A11368-10031	100.KOHM .1W 1% CHIP 0805	B 2
R14	A11368-39231	392 KOHM .1W 1% 0805 T/R	C 2
R15	A11368-20021	20.KOHM .1W 1% CHIP 0805	C 1
R16	A11368-10031	100.KOHM .1W 1% CHIP 0805	C 2
R17	A11368-10021	10K 1/10W 1% SMD 0805 T/R	C 1
R18	A11368-49921	49.9KOHM .1W 1% CHIP 0805	C 2
R19	A11371-5614	560 OHM .5W 5% 2010 SMD	C 2
R20	A11368-10011	1.KOHM .1W 1% CHIP 0805	C 2
R21	A11371-0R02	0. OHM .125W 5% CHIP RES T/R	I 11
R22	A11371-1105	11 OHM 1W 5% 2512 T/R	I 11
R23	A11368-14021	14KOHM .1W 1% 0805 T/R	N 12
R24	A11368-10011	1.KOHM .1W 1% CHIP 0805	N 12
R25	A11368-30121	30.1K, 0.10W 1% MF 0805	C 2
R26	A11368-20011	2.0K, 0.10W 1% MF 0805	N 12
R27	A11368-10031	100.KOHM .1W 1% CHIP 0805	N 12
R28	A11368-10021	10K 1/10W 1% SMD 0805 T/R	N 12
R30	A11368-40212	4.02KOHM .125W 1% CHIP RES T/R	B 2
R31	A11368-40212	4.02KOHM .125W 1% CHIP RES T/R	B 2
R32	A11368-40212	4.02KOHM .125W 1% CHIP RES T/R	B 2
R33	A11368-10021	10K 1/10W 1% SMD 0805 T/R	C 2
R34	A11368-40212	4.02KOHM .125W 1% CHIP RES T/R	N 2
R35	A11368-40212	4.02KOHM .125W 1% CHIP RES T/R	O 2
R36	A11368-40212	4.02KOHM .125W 1% CHIP RES T/R	O 2
R37	A11368-10021	10K 1/10W 1% SMD 0805 T/R	O 2
R39	A11368-10012	1. KOHM .125W 1% CHIP RES T/R	I 9
R40	A11368-10012	1. KOHM .125W 1% CHIP RES T/R	G 9
R43	A11371-5R63	5.6 OHM .25W 5% 1210 T/R	H 9
R44	A11371-5R63	5.6 OHM .25W 5% 1210 T/R	G 9
R45	A11368-49901	499 OHM .1W 1% 0805 T/R	E 10
R46	A11368-23201	232OHM .1W 1% 0805 T/R	E 10
R47	A11368-23201	232OHM .1W 1% 0805 T/R	E 10
R48	A11368-15031	150K 1/10W 1% SMD 0805 T/R	F 10
R49	A11368-15031	150K 1/10W 1% SMD 0805 T/R	F 10
R50	A11368-15021	15.0K, 0.10W 1% MF 0805	F 10
R51	A11368-49901	499 OHM .1W 1% 0805 T/R	E 10
R52	A11368-10011	1.KOHM .1W 1% CHIP 0805	F 10
R53	A11368-36531	RES, 365 KOHM 1% .1W 0805	F 11
R54	A11368-68121	68.1KOHM 0.1W 1% CHIP 0805	F 11
R55	A11368-10021	10K 1/10W 1% SMD 0805 T/R	F 11

R56	A11368-36531	RES, 365 KOHM 1% .1W 0805	F 10
R57	A11368-68121	68.1KOHM 0.1W 1% CHIP 0805	F 10
R58	A11368-10021	10K 1/10W 1% SMD 0805 T/R	F 11
R59	A11368-10R01	10 OHM .1W 1% 0805 T/R	F 11
R60	A11368-10021	10K 1/10W 1% SMD 0805 T/R	F 11
R61	A11368-75011	7.50K .10W 1% CHIP 0805	E 11
R62	A11368-10021	10K 1/10W 1% SMD 0805 T/R	F 10
R63	A11368-10021	10K 1/10W 1% SMD 0805 T/R	F 11
R64	A11368-10021	10K 1/10W 1% SMD 0805 T/R	E 11
R65	A11368-10021	10K 1/10W 1% SMD 0805 T/R	E 11
R66	A11368-49921	49.9KOHM .1W 1% CHIP 0805	F 10
R67	A11368-68121	68.1KOHM 0.1W 1% CHIP 0805	F 10
R70	A11368-1R004	1 OHM 0.5W 1% 2010 T/R	H 10
R72	A11368-10021	10K 1/10W 1% SMD 0805 T/R	F 10
R73	A11368-76811	7.68KOHM 0.10W 1% SMT 0805	F 10
R74	A11368-39221	39.2KOHM .1W 1% 0805 T/R	F 10
R75	A11368-49921	49.9KOHM .1W 1% CHIP 0805	F 10
R76	A11368-26721	26.7KOHM .1W 1% 0805 T/R	G 10
R77	A11368-20031	200K 0.1W 1% SMD CHIP 0805	G 11
R79	A11368-10021	10K 1/10W 1% SMD 0805 T/R	G 10
R80	A11368-10021	10K 1/10W 1% SMD 0805 T/R	G 10
R82	A11368-49921	49.9KOHM .1W 1% CHIP 0805	G 10
R83	A11368-10021	10K 1/10W 1% SMD 0805 T/R	M 12
R84	A11368-20021	20.KOHM .1W 1% CHIP 0805	M 12
R85	A11368-49931	499KOHM .1W 1% 0805 T/R	M 12
R86	A11368-49931	499KOHM .1W 1% 0805 T/R	M 12
R87	A11368-49911	4.99K 1/10W 1% SMD 0805 T/R	E 11
R88	A11368-23721	23.7K .10W 1% CHIP 0805	E 11
R89	A11368-30121	30.1K, 0.10W 1% MF 0805	E 12
R90	A11368-10011	1.KOHM .1W 1% CHIP 0805	I 14
R91	A11368-49921	49.9KOHM .1W 1% CHIP 0805	I 13
R92	A11368-10021	10K 1/10W 1% SMD 0805 T/R	I 14
R93	A11368-10031	100.KOHM .1W 1% CHIP 0805	M 11
R94	A11368-49911	4.99K 1/10W 1% SMD 0805 T/R	M 12
R95	A11368-10021	10K 1/10W 1% SMD 0805 T/R	M 12
R96	A11368-20021	20.KOHM .1W 1% CHIP 0805	M 11
R97	A11368-40212	4.02KOHM .125W 1% CHIP RES T/R	M 12
R98	A11368-10021	10K 1/10W 1% SMD 0805 T/R	M 1
R99	A11368-20021	20.KOHM .1W 1% CHIP 0805	M 2
R100	A11368-40212	4.02KOHM .125W 1% CHIP RES T/R	I 13
R101	A11368-40212	4.02KOHM .125W 1% CHIP RES T/R	I 13
R102	A11368-10011	1.KOHM .1W 1% CHIP 0805	J 13
R103	A11368-10011	1.KOHM .1W 1% CHIP 0805	J 13
R104	A11368-49911	4.99K 1/10W 1% SMD 0805 T/R	J 13
R105	A11368-49911	4.99K 1/10W 1% SMD 0805 T/R	J 13
R106	A11368-49911	4.99K 1/10W 1% SMD 0805 T/R	J 12
R107	A11368-24911	2.49K 1/10W 1% SMD 0805 T/R	I 12
R108	A11368-10041	1M OHM .1W 1% CHIP 0805	K 2
R109	A11368-10041	1M OHM .1W 1% CHIP 0805	K 13
R110	A11368-49921	49.9KOHM .1W 1% CHIP 0805	J 12
R111	A11368-20031	200K 0.1W 1% SMD CHIP 0805	K 12
R112	A11368-49921	49.9KOHM .1W 1% CHIP 0805	K 12
R113	A11368-24921	24.9K 1/10W 1% SMD 0805 T/R	K 2
R114	A11371-1105	11 OHM 1W 5% 2512 T/R	N 3
R115	A11368-61901	619.OHM 1/10W 1% SMD 0805 T/R	K 2
R116	A11368-29421	29.4 KOHM .1W 1% 0805 T/R	J 13
R117	A11368-22121	22.1K 0.10W 1% CHIP 0805	J 13
R118	A11368-14721	14.7 KOHM .1W 1% 0805	J 13
R119	130657-2	POT, 5K LINEAR HORIZ ws	J 12

R120	A11368-22121	22.1K 0.10W 1% CHIP 0805	J 13
R121	A11368-49911	4.99K 1/10W 1% SMD 0805 T/R	J 14
R122	A11368-49911	4.99K 1/10W 1% SMD 0805 T/R	J 13
R123	A11368-11021	11K 0.1W 1% 0805 T/R	M 2
R124	A11368-10031	100.KOHM .1W 1% CHIP 0805	L 2
R125	A11368-42201	422 OHM 0.1W 1% 0805 T/R	L 2
R126	A11368-20021	20.KOHM .1W 1% CHIP 0805	L 2
R127	A11371-5614	560 OHM .5W 5% 2010 SMD	L 1
R128	A11368-10021	10K 1/10W 1% SMD 0805 T/R	K 13
R129	A11368-10031	100.KOHM .1W 1% CHIP 0805	J 12
R130	A11368-20011	2.0K, 0.10W 1% MF 0805	J 12
R131	A11368-10031	100.KOHM .1W 1% CHIP 0805	K 12
R132	A11368-20011	2.0K, 0.10W 1% MF 0805	K 12
R133	A11368-49922	49.9KOHM .125W 1% CHIP RES T/R	N 2
R134	A11368-49922	49.9KOHM .125W 1% CHIP RES T/R	N 2
R135	A11368-42221	42.2KOHM .10W 1% MF 0805	N 1
R136	A11368-23721	23.7K .10W 1% CHIP 0805	N 1
R137	A11368-10041	1M OHM .1W 1% CHIP 0805	M 2
R138	A11368-10041	1M OHM .1W 1% CHIP 0805	M 1
R139	A11368-39231	392 KOHM .1W 1% 0805 T/R	M 2
R140	A11368-39231	392 KOHM .1W 1% 0805 T/R	M 2
R141	A11368-20021	20.KOHM .1W 1% CHIP 0805	L 2
R142	A11368-20021	20.KOHM .1W 1% CHIP 0805	L 2
R143	A11368-20031	200K 0.1W 1% SMD CHIP 0805	K 2
R144	A11368-20031	200K 0.1W 1% SMD CHIP 0805	K 2
R145	A11368-20031	200K 0.1W 1% SMD CHIP 0805	K 2
R146	A11368-44221	44.2K 0.1W 1% 0805 T/R	M 2
R147	A11368-10041	1M OHM .1W 1% CHIP 0805	M 2
R148	A11368-20021	20.KOHM .1W 1% CHIP 0805	L 2
R149	A11368-49921	49.9KOHM .1W 1% CHIP 0805	N 6
R150	A11368-49921	49.9KOHM .1W 1% CHIP 0805	N 6
R152	A11368-20031	200K 0.1W 1% SMD CHIP 0805	M 2
R153	A11368-20021	20.KOHM .1W 1% CHIP 0805	L 2
R154	A11368-10031	100.KOHM .1W 1% CHIP 0805	J 2
R155	A11368-10031	100.KOHM .1W 1% CHIP 0805	J 2
R156	A11368-47504	475 OHM .5W 1% 2010 T/R	L 2
R157	A11368-49931	499KOHM .1W 1% 0805 T/R	J 2
R158	A11368-24921	24.9K 1/10W 1% SMD 0805 T/R	J 2
R159	A11368-75021	75K 1/10W 1% SMD 0805 T/R	J 2
R160	A11368-44221	44.2K 0.1W 1% 0805 T/R	J 2
R161	A11368-75021	75K 1/10W 1% SMD 0805 T/R	K 13
R162	A11368-10021	10K 1/10W 1% SMD 0805 T/R	L 13
R163	A11368-10041	1M OHM .1W 1% CHIP 0805	K 13
R164	A11368-49931	499KOHM .1W 1% 0805 T/R	L 13
R165	A11368-49931	499KOHM .1W 1% 0805 T/R	L 11
R166	A11368-14021	14KOHM .1W 1% 0805 T/R	M 2
R167	A11368-10011	1.KOHM .1W 1% CHIP 0805	M 2
R168	A11368-35721	35.7 KOHM 0.1W 1% 0805 T/R	L 13
R169	A11368-10031	100.KOHM .1W 1% CHIP 0805	L 12
R170	A11368-10021	10K 1/10W 1% SMD 0805 T/R	K 12
R171	A11368-10031	100.KOHM .1W 1% CHIP 0805	G 12
R172	A11368-18231	182 KOHM 1% 0.10W 0805	J 13
R173	A11368-24911	2.49K 1/10W 1% SMD 0805 T/R	J 14
R174	A11368-10021	10K 1/10W 1% SMD 0805 T/R	J 14
R175	A11368-10021	10K 1/10W 1% SMD 0805 T/R	J 13
R176	A11368-24911	2.49K 1/10W 1% SMD 0805 T/R	K 12
R177	A11368-12421	12.4K 1/10W 1% SMD 0805 T/R	K 12
R178	A11368-24911	2.49K 1/10W 1% SMD 0805 T/R	K 12
R183	A11368-24924	24.9KOHM .5W 1% 2010 T/R	K 11

R184	A11368-24924	24.9KOHM .5W 1% 2010 T/R	K 11
R185	A11368-24911	2.49K 1/10W 1% SMD 0805 T/R	K 12
R186	A11368-20011	2.0K, 0.10W 1% MF 0805	K 12
R187	A11368-10021	10K 1/10W 1% SMD 0805 T/R	K 11
R188	A11368-10011	1.KOHM .1W 1% CHIP 0805	K 12
R189	A11368-10011	1.KOHM .1W 1% CHIP 0805	K 12
R190	A11368-10021	10K 1/10W 1% SMD 0805 T/R	K 11
R191	A11368-10011	1.KOHM .1W 1% CHIP 0805	K 12
R192	A11368-10011	1.KOHM .1W 1% CHIP 0805	K 12
R193	A11368-10021	10K 1/10W 1% SMD 0805 T/R	K 12
R194	A11368-10021	10K 1/10W 1% SMD 0805 T/R	J 12
R195	A11368-10021	10K 1/10W 1% SMD 0805 T/R	K 12
R196	A11368-10021	10K 1/10W 1% SMD 0805 T/R	K 11
R197	A11368-26721	26.7KOHM .1W 1% 0805 T/R	J 12
R198	A11368-10021	10K 1/10W 1% SMD 0805 T/R	J 12
R199	A11368-49911	4.99K 1/10W 1% SMD 0805 T/R	J 12
R200	A11368-40212	4.02KOHM .125W 1% CHIP RES T/R	I 13
R201	A11368-40212	4.02KOHM .125W 1% CHIP RES T/R	I 13
R202	A11368-10011	1.KOHM .1W 1% CHIP 0805	I 13
R203	A11368-10011	1.KOHM .1W 1% CHIP 0805	I 13
R204	A11368-49911	4.99K 1/10W 1% SMD 0805 T/R	H 13
R205	A11368-49911	4.99K 1/10W 1% SMD 0805 T/R	I 13
R206	A11368-49911	4.99K 1/10W 1% SMD 0805 T/R	H 12
R207	A11368-24911	2.49K 1/10W 1% SMD 0805 T/R	I 12
R208	A11368-10041	1M OHM .1W 1% CHIP 0805	J 2
R209	A11368-10041	1M OHM .1W 1% CHIP 0805	G 13
R210	A11368-49921	49.9KOHM .1W 1% CHIP 0805	G 12
R211	A11368-20031	200K 0.1W 1% SMD CHIP 0805	H 12
R212	A11368-49921	49.9KOHM .1W 1% CHIP 0805	H 12
R213	A11368-24921	24.9K 1/10W 1% SMD 0805 T/R	K 2
R214	A11371-1105	11 OHM 1W 5% 2512 T/R	H 3
R215	A11368-61901	619.OHM 1/10W 1% SMD 0805 T/R	J 2
R216	A11368-29421	29.4 KOHM .1W 1% 0805 T/R	H 13
R217	A11368-22121	22.1K 0.10W 1% CHIP 0805	H 13
R218	A11368-14721	14.7 KOHM .1W 1% 0805	H 13
R219	130657-2	POT, 5K LINEAR HORIZ ws	H 12
R220	A11368-22121	22.1K 0.10W 1% CHIP 0805	H 13
R221	132556-1	RES, 0.68 OHM 5% 2W RADIAL	O 12
R222	A11368-15021	15.0K, 0.10W 1% MF 0805	F 11
R223	A11368-11021	11K 0.1W 1% 0805 T/R	I 1
R224	A11368-10031	100.KOHM .1W 1% CHIP 0805	I 2
R225	A11368-42201	422 OHM 0.1W 1% 0805 T/R	I 2
R226	A11368-20021	20.KOHM .1W 1% CHIP 0805	I 2
R227	A11371-5614	560 OHM .5W 5% 2010 SMD	I 2
R228	A11368-10021	10K 1/10W 1% SMD 0805 T/R	H 13
R229	A11368-10031	100.KOHM .1W 1% CHIP 0805	G 12
R230	A11368-20011	2.0K, 0.10W 1% MF 0805	G 12
R231	A11368-10031	100.KOHM .1W 1% CHIP 0805	H 12
R232	A11368-20011	2.0K, 0.10W 1% MF 0805	H 12
R233	A11368-49922	49.9KOHM .125W 1% CHIP RES T/R	G 2
R234	A11368-49922	49.9KOHM .125W 1% CHIP RES T/R	G 1
R235	A11368-42221	42.2KOHM .10W 1% MF 0805	G 1
R236	A11368-23721	23.7K .10W 1% CHIP 0805	H 1
R237	A11368-10041	1M OHM .1W 1% CHIP 0805	H 2
R238	A11368-10041	1M OHM .1W 1% CHIP 0805	G 2
R239	A11368-39231	392 KOHM .1W 1% 0805 T/R	H 2
R240	A11368-39231	392 KOHM .1W 1% 0805 T/R	G 2
R241	A11368-20021	20.KOHM .1W 1% CHIP 0805	I 2
R242	A11368-20021	20.KOHM .1W 1% CHIP 0805	I 2

R243	A11368-20031	200K 0.1W 1% SMD CHIP 0805	K 2
R244	A11368-20031	200K 0.1W 1% SMD CHIP 0805	K 2
R245	A11368-20031	200K 0.1W 1% SMD CHIP 0805	J 2
R246	A11368-44221	44.2K 0.1W 1% 0805 T/R	H 2
R247	A11368-10041	1M OHM .1W 1% CHIP 0805	H 2
R248	A11368-20021	20.KOHM .1W 1% CHIP 0805	I 2
R249	A11368-49921	49.9KOHM .1W 1% CHIP 0805	G 6
R250	A11368-49921	49.9KOHM .1W 1% CHIP 0805	G 6
R252	A11368-20031	200K 0.1W 1% SMD CHIP 0805	H 2
R253	A11368-20021	20.KOHM .1W 1% CHIP 0805	I 2
R254	A11368-10031	100.KOHM .1W 1% CHIP 0805	J 2
R255	A11368-10031	100.KOHM .1W 1% CHIP 0805	J 2
R256	A11368-47504	475 OHM .5W 1% 2010 T/R	I 1
R257	A11368-49931	499KOHM .1W 1% 0805 T/R	J 2
R258	A11368-24921	24.9K 1/10W 1% SMD 0805 T/R	J 2
R259	A11368-75021	75K 1/10W 1% SMD 0805 T/R	J 2
R260	A11368-44221	44.2K 0.1W 1% 0805 T/R	J 2
R261	A11368-75021	75K 1/10W 1% SMD 0805 T/R	G 13
R262	A11368-10021	10K 1/10W 1% SMD 0805 T/R	G 13
R263	A11368-10041	1M OHM .1W 1% CHIP 0805	F 13
R264	A11368-49931	499KOHM .1W 1% 0805 T/R	F 13
R265	A11368-49931	499KOHM .1W 1% 0805 T/R	G 11
R266	A11368-14021	14KOHM .1W 1% 0805 T/R	H 2
R267	A11368-10011	1.KOHM .1W 1% CHIP 0805	H 2
R268	A11368-35721	35.7 KOHM 0.1W 1% 0805 T/R	G 13
R270	A11368-10021	10K 1/10W 1% SMD 0805 T/R	G 12
R272	A11368-18231	182 KOHM 1% 0.10W 0805	H 13
R273	A11368-24911	2.49K 1/10W 1% SMD 0805 T/R	H 14
R274	A11368-10021	10K 1/10W 1% SMD 0805 T/R	H 14
R275	A11368-10021	10K 1/10W 1% SMD 0805 T/R	H 13
R276	A11368-24911	2.49K 1/10W 1% SMD 0805 T/R	H 12
R277	A11368-12421	12.4K 1/10W 1% SMD 0805 T/R	H 12
R278	A11368-24911	2.49K 1/10W 1% SMD 0805 T/R	G 12
R283	A11368-24924	24.9KOHM .5W 1% 2010 T/R	G 11
R284	A11368-24924	24.9KOHM .5W 1% 2010 T/R	G 11
R285	A11368-24911	2.49K 1/10W 1% SMD 0805 T/R	G 12
R286	A11368-20011	2.0K, 0.10W 1% MF 0805	G 12
R287	A11368-10021	10K 1/10W 1% SMD 0805 T/R	H 11
R288	A11368-10011	1.KOHM .1W 1% CHIP 0805	G 12
R289	A11368-10011	1.KOHM .1W 1% CHIP 0805	G 12
R290	A11368-10021	10K 1/10W 1% SMD 0805 T/R	H 11
R291	A11368-10011	1.KOHM .1W 1% CHIP 0805	G 12
R292	A11368-10011	1.KOHM .1W 1% CHIP 0805	G 12
R293	A11368-10021	10K 1/10W 1% SMD 0805 T/R	H 12
R294	A11368-10021	10K 1/10W 1% SMD 0805 T/R	H 12
R295	A11368-10021	10K 1/10W 1% SMD 0805 T/R	H 12
R296	A11368-10021	10K 1/10W 1% SMD 0805 T/R	H 11
R297	A11368-26721	26.7KOHM .1W 1% 0805 T/R	H 12
R298	A11368-10021	10K 1/10W 1% SMD 0805 T/R	H 12
R299	A11368-49911	4.99K 1/10W 1% SMD 0805 T/R	H 12
R300	A11368-22121	22.1K 0.10W 1% CHIP 0805	J 11
R301	A11368-49911	4.99K 1/10W 1% SMD 0805 T/R	J 12
R302	A11368-20021	20.KOHM .1W 1% CHIP 0805	N 12
R303	A11368-12131	121KOHM, 0.10W 1% CHIP 0805	M 13
R304	A11368-10021	10K 1/10W 1% SMD 0805 T/R	N 13
R305	A11368-20021	20.KOHM .1W 1% CHIP 0805	M 12
R306	A11368-10031	100.KOHM .1W 1% CHIP 0805	M 12
R307	A11368-10011	1.KOHM .1W 1% CHIP 0805	M 12
R308	A11368-34011	3.4K 0.10W 1% MF 0805	F 2

R309	A11368-34011	3.4K 0.10W 1% MF 0805	F 2
R310	A11368-20021	20.KOHM .1W 1% CHIP 0805	F 2
R311	A11368-20021	20.KOHM .1W 1% CHIP 0805	F 2
R312	A11368-49921	49.9KOHM .1W 1% CHIP 0805	F 2
R313	C10447-8	100.KOHM TOP ADJ TRIMMER T/R	F 2
R314	A11368-82521	82.5K 0.10W 1%CHIP 0805	F 2
R315	A11368-82521	82.5K 0.10W 1%CHIP 0805	F 2
R316	A11368-71531	715K 0.1W 1% 0805 T/R	F 1
R317	C10447-8	100.KOHM TOP ADJ TRIMMER T/R	F 1
R318	A11368-68131	681KOHM .1W 1% 0805 T/R	D 2
R319	A11368-10031	100.KOHM .1W 1% CHIP 0805	D 2
R320	A11368-20031	200K 0.1W 1% SMD CHIP 0805	D 2
R321	A11368-20031	200K 0.1W 1% SMD CHIP 0805	D 2
R322	A11368-68111	6.81K 0.10W 1% CHIP 0805	F 2
R323	A11368-68111	6.81K 0.10W 1% CHIP 0805	F 2
R324	A11368-20021	20.KOHM .1W 1% CHIP 0805	F 2
R325	A11368-20021	20.KOHM .1W 1% CHIP 0805	F 2
R326	A11368-22111	2.21KOHM .1W 1% CHIP 0805	E 2
R327	A11368-30931	RES, 309K OHM 1% 0.10W 0805	F 2
R328	A11368-64901	RES, 649 OHM 1% 0.1W SMT 0805	P 10
R329	A11368-10001	100 OHM 1% 0805 RES T/R	P 10
R330	132556-1	RES, 0.68 OHM 5% 2W RADIAL	O 3
R331	132556-1	RES, 0.68 OHM 5% 2W RADIAL	P 3
R332	132556-1	RES, 0.68 OHM 5% 2W RADIAL	P 3
R333	132556-1	RES, 0.68 OHM 5% 2W RADIAL	Q 3
R334		OPEN	Q 3
R335		OPEN	R 3
R336	A11368-49911	4.99K 1/10W 1% SMD 0805 T/R	P 9
R337	A11368-75001	750 OHM .1 1% 0805 T/R	Q 8
R338	A11368-75001	750 OHM .1 1% 0805 T/R	Q 8
R339	A11368-49911	4.99K 1/10W 1% SMD 0805 T/R	P 9
R340	A11368-15023	15KOHM .25W 1% 1210 SMT T/R	P 8
R341	A11368-15023	15KOHM .25W 1% 1210 SMT T/R	P 7
R342	A11368-51R11	51.1 OHM 0.1W 1% MF 0805	O 7
R343	A11368-18211	1.82KOHM .1W 1% 0805 T/R	O 7
R344	A11368-64901	RES, 649 OHM 1% 0.1W SMT 0805	O 7
R345	C10613-5	1 KOHM TOP ADJUST TRIMMER T/R	N 7
R346	A11368-10021	10K 1/10W 1% SMD 0805 T/R	O 7
R347	A11368-33R24	33.2 OHM .5W 1% 2010 T/R	O 6
R348	132556-1	RES, 0.68 OHM 5% 2W RADIAL	P 7
R349	132556-1	RES, 0.68 OHM 5% 2W RADIAL	P 7
R350	132556-1	RES, 0.68 OHM 5% 2W RADIAL	P 7
R351	132556-1	RES, 0.68 OHM 5% 2W RADIAL	P 7
R352		OPEN	P 7
R353		OPEN	Q 7
R354	A11368-10021	10K 1/10W 1% SMD 0805 T/R	M 7
R355	132556-1	RES, 0.68 OHM 5% 2W RADIAL	L 7
R356	132556-1	RES, 0.68 OHM 5% 2W RADIAL	L 7
R357	132556-1	RES, 0.68 OHM 5% 2W RADIAL	M 7
R358	132556-1	RES, 0.68 OHM 5% 2W RADIAL	M 7
R359		OPEN	L 7
R360		OPEN	M 7
R361	A11368-33R22	33.2 OHM .125W 1% 1206 T/R	K 7
R362	A11368-33R24	33.2 OHM .5W 1% 2010 T/R	K 7
R363		OPEN	O 3
R364	A11368-34011	3.4K 0.10W 1% MF 0805	O 3
R365	A11368-34011	3.4K 0.10W 1% MF 0805	O 3
R366	A11368-64901	RES, 649 OHM 1% 0.1W SMT 0805	O 10
R367	A11368-10001	100 OHM 1% 0805 RES T/R	O 10

R368	132556-1	RES, 0.68 OHM 5% 2W RADIAL	K 3
R369	132556-1	RES, 0.68 OHM 5% 2W RADIAL	K 3
R370	132556-1	RES, 0.68 OHM 5% 2W RADIAL	K 3
R371	132556-1	RES, 0.68 OHM 5% 2W RADIAL	L 3
R372		OPEN	L 3
R373		OPEN	M 3
R374	A11368-34011	3.4K 0.10W 1% MF 0805	N 2
R375	A11368-34011	3.4K 0.10W 1% MF 0805	N 2
R376	A11368-30931	RES, 309K OHM 1% 0.10W 0805	N 1
R377	A11368-22111	2.21KOHM .1W 1% CHIP 0805	N 1
R378	A11368-51111	5.11KOHM .1W 1% 0805 T/R	N 2
R379	C10447-8	100.KOHM TOP ADJ TRIMMER T/R	N 2
R380	A11368-93121	RES, 93.1K 1% 0.1W SMT 0805	N 2
R381	A11368-93121	RES, 93.1K 1% 0.1W SMT 0805	N 2
R382	A11368-49921	49.9KOHM .1W 1% CHIP 0805	N 2
R383	A11368-68111	6.81K 0.10W 1% CHIP 0805	N 1
R384	A11368-20021	20.KOHM .1W 1% CHIP 0805	N 2
R385	A11368-20021	20.KOHM .1W 1% CHIP 0805	N 2
R386	A11368-68131	681KOHM .1W 1% 0805 T/R	P 2
R387	A11368-10031	100.KOHM .1W 1% CHIP 0805	P 2
R388	A11368-20031	200K 0.1W 1% SMD CHIP 0805	P 2
R389	A11368-20031	200K 0.1W 1% SMD CHIP 0805	P 2
R390	A11368-71531	715K 0.1W 1% 0805 T/R	N 1
R391	C10447-8	100.KOHM TOP ADJ TRIMMER T/R	N 1
R392		OPEN	O 3
R393	A11368-17421	17.4KOHM .1W 1% 0805 T/R	O 3
R394	A11368-17421	17.4KOHM .1W 1% 0805 T/R	O 3
R395	A11371-1105	11 OHM 1W 5% 2512 T/R	N 3
R396		OPEN	K 7
R397	A11368-10001	100 OHM 1% 0805 RES T/R	N 15
R398	A11368-10031	100.KOHM .1W 1% CHIP 0805	J 2
R400	A11368-22121	22.1K 0.10W 1% CHIP 0805	H 11
R401	A11368-49911	4.99K 1/10W 1% SMD 0805 T/R	H 12
R402	A11368-20021	20.KOHM .1W 1% CHIP 0805	L 12
R403	A11368-12131	121KOHM, 0.10W 1% CHIP 0805	L 13
R404	A11368-10021	10K 1/10W 1% SMD 0805 T/R	L 13
R405	A11368-20021	20.KOHM .1W 1% CHIP 0805	M 12
R406	A11368-10031	100.KOHM .1W 1% CHIP 0805	L 12
R407	A11368-10011	1.KOHM .1W 1% CHIP 0805	L 12
R408	A11368-34011	3.4K 0.10W 1% MF 0805	G 2
R409	A11368-34011	3.4K 0.10W 1% MF 0805	G 2
R410	A11368-20021	20.KOHM .1W 1% CHIP 0805	G 2
R411	A11368-20021	20.KOHM .1W 1% CHIP 0805	G 2
R412	A11368-49921	49.9KOHM .1W 1% CHIP 0805	G 2
R413	C10447-8	100.KOHM TOP ADJ TRIMMER T/R	F 2
R414	A11368-82521	82.5K 0.10W 1%CHIP 0805	G 2
R415	A11368-82521	82.5K 0.10W 1%CHIP 0805	G 2
R416	A11368-71531	715K 0.1W 1% 0805 T/R	G 1
R417	C10447-8	100.KOHM TOP ADJ TRIMMER T/R	G 1
R418	A11368-68131	681KOHM .1W 1% 0805 T/R	E 2
R419	A11368-10031	100.KOHM .1W 1% CHIP 0805	E 2
R420	A11368-20031	200K 0.1W 1% SMD CHIP 0805	E 2
R421	A11368-20031	200K 0.1W 1% SMD CHIP 0805	E 2
R422	A11368-68111	6.81K 0.10W 1% CHIP 0805	F 2
R423	A11368-68111	6.81K 0.10W 1% CHIP 0805	F 2
R424	A11368-20021	20.KOHM .1W 1% CHIP 0805	G 2
R425	A11368-20021	20.KOHM .1W 1% CHIP 0805	F 2
R426	A11368-22111	2.21KOHM .1W 1% CHIP 0805	F 2
R427	A11368-30931	RES, 309K OHM 1% 0.10W 0805	G 2

R428	A11368-64901	RES, 649 OHM 1% 0.1W SMT 0805	O 7
R429	A11368-10001	100 OHM 1% 0805 RES T/R	P 8
R430	132556-1	RES, 0.68 OHM 5% 2W RADIAL	G 3
R431	132556-1	RES, 0.68 OHM 5% 2W RADIAL	H 3
R432	132556-1	RES, 0.68 OHM 5% 2W RADIAL	I 3
R433	132556-1	RES, 0.68 OHM 5% 2W RADIAL	I 3
R434		OPEN	I 3
R435		OPEN	I 3
R436	A11368-49911	4.99K 1/10W 1% SMD 0805 T/R	O 9
R437	A11368-75001	750 OHM .1 1% 0805 T/R	O 9
R438	A11368-75001	750 OHM .1 1% 0805 T/R	O 9
R439	A11368-49911	4.99K 1/10W 1% SMD 0805 T/R	O 9
R440	A11368-15023	15KOHM .25W 1% 1210 SMT T/R	P 7
R441	A11368-15023	15KOHM .25W 1% 1210 SMT T/R	P 8
R442	A11368-51R11	51.1 OHM 0.1W 1% MF 0805	G 7
R443	A11368-18211	1.82KOHM .1W 1% 0805 T/R	G 7
R444	A11368-64901	RES, 649 OHM 1% 0.1W SMT 0805	G 7
R445	C10613-5	1 KOHM TOP ADJUST TRIMMER T/R	G 7
R446	A11368-10021	10K 1/10W 1% SMD 0805 T/R	G 7
R447	A11368-33R24	33.2 OHM .5W 1% 2010 T/R	G 6
R448	132556-1	RES, 0.68 OHM 5% 2W RADIAL	H 7
R449	132556-1	RES, 0.68 OHM 5% 2W RADIAL	H 7
R450	132556-1	RES, 0.68 OHM 5% 2W RADIAL	H 7
R451	132556-1	RES, 0.68 OHM 5% 2W RADIAL	H 7
R452		OPEN	I 7
R453		OPEN	I 7
R454	A11368-10021	10K 1/10W 1% SMD 0805 T/R	H 7
R455	132556-1	RES, 0.68 OHM 5% 2W RADIAL	D 7
R456	132556-1	RES, 0.68 OHM 5% 2W RADIAL	D 7
R457	132556-1	RES, 0.68 OHM 5% 2W RADIAL	D 7
R458	132556-1	RES, 0.68 OHM 5% 2W RADIAL	D 7
R459		OPEN	E 7
R460		OPEN	E 7
R461	A11368-33R22	33.2 OHM .125W 1% 1206 T/R	C 7
R462	A11368-33R24	33.2 OHM .5W 1% 2010 T/R	C 6
R463		OPEN	E 3
R464	A11368-34011	3.4K 0.10W 1% MF 0805	D 3
R465	A11368-34011	3.4K 0.10W 1% MF 0805	C 3
R466	A11368-64901	RES, 649 OHM 1% 0.1W SMT 0805	O 8
R467	A11368-10001	100 OHM 1% 0805 RES T/R	O 8
R468	132556-1	RES, 0.68 OHM 5% 2W RADIAL	C 3
R469	132556-1	RES, 0.68 OHM 5% 2W RADIAL	D 3
R470	132556-1	RES, 0.68 OHM 5% 2W RADIAL	D 3
R471	132556-1	RES, 0.68 OHM 5% 2W RADIAL	D 3
R472		OPEN	E 3
R473		OPEN	E 3
R474	A11368-34011	3.4K 0.10W 1% MF 0805	O 2
R475	A11368-34011	3.4K 0.10W 1% MF 0805	O 2
R476	A11368-30931	RES, 309K OHM 1% 0.10W 0805	P 2
R477	A11368-22111	2.21KOHM .1W 1% CHIP 0805	P 2
R478	A11368-51111	5.11KOHM .1W 1% 0805 T/R	O 2
R479	C10447-8	100.KOHM TOP ADJ TRIMMER T/R	O 2
R480	A11368-93121	RES, 93.1K 1% 0.1W SMT 0805	O 2
R481	A11368-93121	RES, 93.1K 1% 0.1W SMT 0805	O 2
R482	A11368-49921	49.9KOHM .1W 1% CHIP 0805	O 2
R483	A11368-68111	6.81K 0.10W 1% CHIP 0805	O 2
R484	A11368-20021	20.KOHM .1W 1% CHIP 0805	O 2
R485	A11368-20021	20.KOHM .1W 1% CHIP 0805	O 2
R486	A11368-68131	681KOHM .1W 1% 0805 T/R	Q 2

R487	A11368-10031	100.KOHM .1W 1% CHIP 0805	Q 2
R488	A11368-20031	200K 0.1W 1% SMD CHIP 0805	Q 2
R489	A11368-20031	200K 0.1W 1% SMD CHIP 0805	Q 2
R490	A11368-71531	715K 0.1W 1% 0805 T/R	O 1
R491	C10447-8	100.KOHM TOP ADJ TRIMMER T/R	O 1
R492		OPEN	E 3
R493	A11368-17421	17.4KOHM .1W 1% 0805 T/R	D 3
R494	A11368-17421	17.4KOHM .1W 1% 0805 T/R	C 3
R495	A11371-1105	11 OHM 1W 5% 2512 T/R	I 2
R496	A11371-5R65	5.6 OHM 1W 5% 2512 T/R	I 7
R497	A11368-10001	100 OHM 1% 0805 RES T/R	L 15
R498	A11368-10031	100.KOHM .1W 1% CHIP 0805	J 2
R513	A11368-13031	130 KOHM 0.1W 1% 0805	G 3
R514	A11368-40221	40.2KOHM 0.10W 1% SMT 0805	G 3
R515	A11368-10041	1M OHM .1W 1% CHIP 0805	F 3
R516	A11368-10031	100.KOHM .1W 1% CHIP 0805	D 2
R517	A11368-18721	18.7KOHM 0.10W 1% SMT 0805	D 2
R518	A11368-18721	18.7KOHM 0.10W 1% SMT 0805	D 2
R519	A11368-10031	100.KOHM .1W 1% CHIP 0805	D 2
R520	A11368-54921	54.9K 0.10W 1% CHIP 0805	D 2
R521	A11368-54921	54.9K 0.10W 1% CHIP 0805	D 2
R522	A11368-10031	100.KOHM .1W 1% CHIP 0805	D 2
R523	A11368-10031	100.KOHM .1W 1% CHIP 0805	E 2
R524	A11368-54921	54.9K 0.10W 1% CHIP 0805	P 2
R525	A11368-10031	100.KOHM .1W 1% CHIP 0805	P 2
R526	A11368-10021	10K 1/10W 1% SMD 0805 T/R	P 2
R527	A11368-18721	18.7KOHM 0.10W 1% SMT 0805	P 2
R528	A11368-10031	100.KOHM .1W 1% CHIP 0805	P 2
R529	A11368-54921	54.9K 0.10W 1% CHIP 0805	P 2
R530	A11368-10031	100.KOHM .1W 1% CHIP 0805	P 2
R531	A11368-10031	100.KOHM .1W 1% CHIP 0805	P 2
R532	A11368-13331	133.KOHM .1W 1% CHIP 0805	E 1
R533	A11368-10031	100.KOHM .1W 1% CHIP 0805	G 3
R534	A11368-10031	100.KOHM .1W 1% CHIP 0805	G 3
R535	A11368-10031	100.KOHM .1W 1% CHIP 0805	F 3
R536	A11368-10031	100.KOHM .1W 1% CHIP 0805	F 3
R537	A11368-13331	133.KOHM .1W 1% CHIP 0805	G 3
R538	A11368-10R01	10 OHM .1W 1% 0805 T/R	G 3
R544	A11368-12741	1.27MOHM .1W 1% 0805 T/R	P 11
R545	A11368-12741	1.27MOHM .1W 1% 0805 T/R	P 11
R546	A11368-36531	RES, 365 KOHM 1% .1W 0805	P 11
R547	A11368-10031	100.KOHM .1W 1% CHIP 0805	P 11
R548	A11368-49921	49.9KOHM .1W 1% CHIP 0805	P 11
R549	A11368-10031	100.KOHM .1W 1% CHIP 0805	I 11
R550	A11368-75011	7.50K .10W 1% CHIP 0805	I 11
R551	A11368-10721	RES, 10.7K 1% 0.1W SMT 0805	I 12
R552	A11368-10031	100.KOHM .1W 1% CHIP 0805	I 11
R553	A11368-10031	100.KOHM .1W 1% CHIP 0805	I 11
R554	A11368-10521	10.5K .10W 1% MF 0805	I 11
R555	A11368-49911	4.99K 1/10W 1% SMD 0805 T/R	I 12
R556	A11368-10021	10K 1/10W 1% SMD 0805 T/R	L 11
R557	A11368-10021	10K 1/10W 1% SMD 0805 T/R	I 12
R563	A11368-10001	100 OHM 1% 0805 RES T/R	P 10
R564	A11368-15831	158KOHM .1W 1% 0805 T/R	N 12
R566	A11368-10001	100 OHM 1% 0805 RES T/R	P 10
R567	A11371-5R12	5.1OHM 0.125W 5% 1206 T/R	J 9
R568	A11371-5R12	5.1OHM 0.125W 5% 1206 T/R	I 9
R569	A11368-10001	100 OHM 1% 0805 RES T/R	O 10
R570	A11371-5R12	5.1OHM 0.125W 5% 1206 T/R	I 9

R571	A11368-13321	13.3K 0.10W 1% CHIP 0805	F 10
R572	A11368-10001	100 OHM 1% 0805 RES T/R	O 10
R574	A11368-27432	274K .125W 1% CHIP RES T/R	F 11
R575	A11368-10001	100 OHM 1% 0805 RES T/R	P 8
R576	A11368-37412	3.74KOHM .125W 1% 1206 T/R	A 2
R577	A11368-37412	3.74KOHM .125W 1% 1206 T/R	N 2
R578	A11368-10001	100 OHM 1% 0805 RES T/R	P 8
R579	A11368-20021	20.KOHM .1W 1% CHIP 0805	H 11
R580	A11368-22121	22.1K 0.10W 1% CHIP 0805	G 11
R581	A11368-10001	100 OHM 1% 0805 RES T/R	O 8
R582	A11371-1105	11 OHM 1W 5% 2512 T/R	N 3
R584	A11368-10001	100 OHM 1% 0805 RES T/R	O 8
R585	A11368-24911	2.49K 1/10W 1% SMD 0805 T/R	K 2
R586	A11368-49911	4.99K 1/10W 1% SMD 0805 T/R	K 11
R587	A11368-51R11	51.1 OHM 0.1W 1% MF 0805	P 9
R588	A11368-51R11	51.1 OHM 0.1W 1% MF 0805	O 9
R589	A11368-24911	2.49K 1/10W 1% SMD 0805 T/R	K 2
R590	A11368-49911	4.99K 1/10W 1% SMD 0805 T/R	G 11
R591	A11368-10031	100.KOHM .1W 1% CHIP 0805	F 12
R592	A11368-15021	15.0K, 0.10W 1% MF 0805	F 12
R593	A11368-40211	4.02K 1/10W 1% SMD 0805 T/R	F 12
R594	A11368-10001	100 OHM 1% 0805 RES T/R	L 12
R596	A11368-68131	681KOHM .1W 1% 0805 T/R	F 1
R597	A11368-68131	681KOHM .1W 1% 0805 T/R	F 1
R598	A11368-68131	681KOHM .1W 1% 0805 T/R	F 1
R599	A11368-68131	681KOHM .1W 1% 0805 T/R	G 1
R613	A11368-13031	130 KOHM 0.1W 1% 0805	F 3
R614	A11368-40221	40.2KOHM 0.10W 1% SMT 0805	F 3
R615	A11368-10041	1M OHM .1W 1% CHIP 0805	F 2
R616	A11368-10031	100.KOHM .1W 1% CHIP 0805	E 2
R617	A11368-18721	18.7KOHM 0.10W 1% SMT 0805	E 2
R618	A11368-18721	18.7KOHM 0.10W 1% SMT 0805	E 2
R619	A11368-10031	100.KOHM .1W 1% CHIP 0805	E 2
R620	A11368-54921	54.9K 0.10W 1% CHIP 0805	E 2
R621	A11368-54921	54.9K 0.10W 1% CHIP 0805	E 2
R622	A11368-10031	100.KOHM .1W 1% CHIP 0805	E 2
R623	A11368-10031	100.KOHM .1W 1% CHIP 0805	E 2
R624	A11368-54921	54.9K 0.10W 1% CHIP 0805	Q 2
R625	A11368-10031	100.KOHM .1W 1% CHIP 0805	Q 2
R626	A11368-10021	10K 1/10W 1% SMD 0805 T/R	Q 2
R627	A11368-18721	18.7KOHM 0.10W 1% SMT 0805	Q 2
R628	A11368-10031	100.KOHM .1W 1% CHIP 0805	Q 2
R629	A11368-54921	54.9K 0.10W 1% CHIP 0805	Q 2
R630	A11368-10031	100.KOHM .1W 1% CHIP 0805	Q 2
R631	A11368-10031	100.KOHM .1W 1% CHIP 0805	Q 2
R632	A11368-13331	133.KOHM .1W 1% CHIP 0805	Q 2
R633	A11368-10031	100.KOHM .1W 1% CHIP 0805	E 3
R634	A11368-10031	100.KOHM .1W 1% CHIP 0805	F 3
R635	A11368-10031	100.KOHM .1W 1% CHIP 0805	F 3
R636	A11368-10031	100.KOHM .1W 1% CHIP 0805	F 3
R637	A11368-13331	133.KOHM .1W 1% CHIP 0805	F 3
R638	A11368-10R01	10 OHM .1W 1% 0805 T/R	F 3
R644	A11368-12741	1.27MOHM .1W 1% 0805 T/R	O 11
R645	A11368-12741	1.27MOHM .1W 1% 0805 T/R	O 11
R646	A11368-36531	RES, 365 KOHM 1% .1W 0805	O 11
R647	A11368-10031	100.KOHM .1W 1% CHIP 0805	O 11
R648	A11368-49921	49.9KOHM .1W 1% CHIP 0805	O 11
R649	A11368-10031	100.KOHM .1W 1% CHIP 0805	I 11
R650	A11368-75011	7.50K .10W 1% CHIP 0805	I 11

R651	A11368-10721	RES, 10.7K 1% 0.1W SMT 0805	I 12
R652	A11368-10031	100.KOHM .1W 1% CHIP 0805	I 11
R653	A11368-10031	100.KOHM .1W 1% CHIP 0805	I 11
R654	A11368-10521	10.5K .10W 1% MF 0805	I 12
R655	A11368-49911	4.99K 1/10W 1% SMD 0805 T/R	J 12
R656	A11368-10021	10K 1/10W 1% SMD 0805 T/R	L 11
R657	A11368-10021	10K 1/10W 1% SMD 0805 T/R	I 12
R658	A11368-20031	200K 0.1W 1% SMD CHIP 0805	P 10
R659	A11368-30121	30.1K, 0.10W 1% MF 0805	P 10
R660	A11368-30121	30.1K, 0.10W 1% MF 0805	O 10
R661	A11368-20031	200K 0.1W 1% SMD CHIP 0805	O 10
R662	A11368-68131	681KOHM .1W 1% 0805 T/R	N 1
R667	A11368-68131	681KOHM .1W 1% 0805 T/R	N 1
R668	A11368-68131	681KOHM .1W 1% 0805 T/R	O 1
R669	A11368-68131	681KOHM .1W 1% 0805 T/R	O 2
R682	A11371-1105	11 OHM 1W 5% 2512 T/R	H 3
R687	A11368-51R11	51.1 OHM 0.1W 1% MF 0805	P 8
R688	A11368-51R11	51.1 OHM 0.1W 1% MF 0805	N 8
R801	A11368-10001	100 OHM 1% 0805 RES T/R	J 15
R802	A11368-10001	100 OHM 1% 0805 RES T/R	J 15
R803	A11368-10001	100 OHM 1% 0805 RES T/R	J 15
R804	A11368-10001	100 OHM 1% 0805 RES T/R	J 15
R805	A11368-10001	100 OHM 1% 0805 RES T/R	K 15
R806	A11368-10001	100 OHM 1% 0805 RES T/R	H 15
R807	A11368-10001	100 OHM 1% 0805 RES T/R	I 15
R808	A11368-10001	100 OHM 1% 0805 RES T/R	H 15
R809	A11368-10001	100 OHM 1% 0805 RES T/R	H 15
R810	A11368-10001	100 OHM 1% 0805 RES T/R	H 15
R900	133910-1	RES, 27KOHM 5% 2W RAD T/R	F 9
R901	133910-1	RES, 27KOHM 5% 2W RAD T/R	L 9
R902	A11371-2023	2K OHM .25W 5% 1210 T/R	E 11
R903	A11368-20021	20.KOHM .1W 1% CHIP 0805	E 11
R905	A11368-10031	100.KOHM .1W 1% CHIP 0805	D 12
R907	A11368-16521	16.5KOHM .1W 1% 0805 T/R	F 12
R908	A11368-24921	24.9K 1/10W 1% SMD 0805 T/R	F 12
R909	A11368-75021	75K 1/10W 1% SMD 0805 T/R	D 12
R910	A11368-10021	10K 1/10W 1% SMD 0805 T/R	E 12
R911	A11368-56221	56.2K OHM .1W 1% 0805 T/R	D 12
R912	A11368-20021	20.KOHM .1W 1% CHIP 0805	E 12
R913	A11368-22121	22.1K 0.10W 1% CHIP 0805	D 12
R914	A11368-75021	75K 1/10W 1% SMD 0805 T/R	C 12
R915	A11368-30931	RES, 309K OHM 1% 0.10W 0805	D 12
R916	A11368-15831	158KOHM .1W 1% 0805 T/R	D 12
R917	A11368-20021	20.KOHM .1W 1% CHIP 0805	D 12
R918	A11368-20031	200K 0.1W 1% SMD CHIP 0805	D 11
R919	A11368-10031	100.KOHM .1W 1% CHIP 0805	D 11
R920	A11368-10021	10K 1/10W 1% SMD 0805 T/R	D 12
R921	A11368-10021	10K 1/10W 1% SMD 0805 T/R	D 12
R922	A11368-20021	20.KOHM .1W 1% CHIP 0805	D 11
R923	A11368-20021	20.KOHM .1W 1% CHIP 0805	D 11
R924	A11368-20021	20.KOHM .1W 1% CHIP 0805	D 11
R925	A11368-20021	20.KOHM .1W 1% CHIP 0805	D 11
R926	A11368-31611	3.16K 0.1W 1% 0805 T/R	D 11
R927	A11368-10031	100.KOHM .1W 1% CHIP 0805	D 12
R928	A11368-49931	499KOHM .1W 1% 0805 T/R	D 12
R929	A11368-49931	499KOHM .1W 1% 0805 T/R	E 12
R930	A11368-49931	499KOHM .1W 1% 0805 T/R	E 12
R931	A11368-10031	100.KOHM .1W 1% CHIP 0805	E 12
R932	A11368-10021	10K 1/10W 1% SMD 0805 T/R	E 11

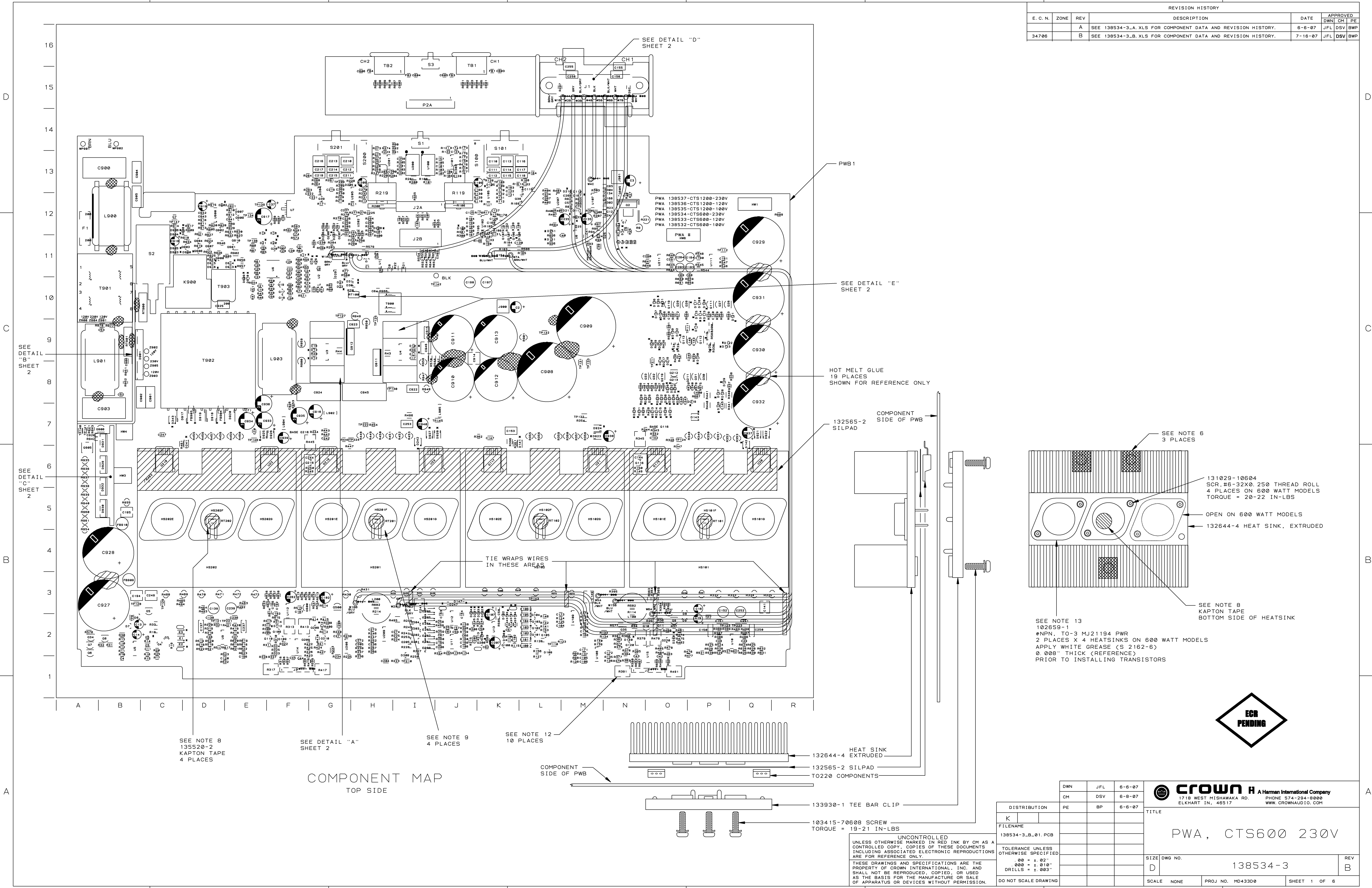
R933	A11368-49921	49.9KOHM .1W 1% CHIP 0805	E 11
R934	A11368-10021	10K 1/10W 1% SMD 0805 T/R	D 11
R935	132560-1	RES, 220 OHM 5% 2W RADIAL	A 6
R936	132560-1	RES, 220 OHM 5% 2W RADIAL	A 6
R937	132560-1	RES, 220 OHM 5% 2W RADIAL	A 6
R938	132560-1	RES, 220 OHM 5% 2W RADIAL	A 6
R939	132560-1	RES, 220 OHM 5% 2W RADIAL	A 5
R940	132560-1	RES, 220 OHM 5% 2W RADIAL	A 5
R941	A11368-10011	1.KOHM .1W 1% CHIP 0805	A 7
R942	A11368-10011	1.KOHM .1W 1% CHIP 0805	A 7
R943	A11368-10011	1.KOHM .1W 1% CHIP 0805	A 7
R944	A11368-24921	24.9K 1/10W 1% SMD 0805 T/R	E 10
R946	A11371-2724	2.7 KOHM .5W 5% 2010 T/R	D 11
R947	132559-1	RES, 8.2 OHM 5% 2W RADIAL	I 8
R948	132559-1	RES, 8.2 OHM 5% 2W RADIAL	I 8
R949	132559-1	RES, 8.2 OHM 5% 2W RADIAL	H 10
R950	132559-1	RES, 8.2 OHM 5% 2W RADIAL	H 9
R951	A11371-2204	22 OHM .5W 5% 2010 T/R	B 8
R952	A11371-2204	22 OHM .5W 5% 2010 T/R	B 8
R953	A11368-1R001	1 OHM .1W 1% 0805 T/R	F 7
R954	133910-1	RES, 27KOHM 5% 2W RAD T/R	A 5
R955	133910-1	RES, 27KOHM 5% 2W RAD T/R	B 5
R956	A11368-80R64	80.6 OHM 1% 0.50W 2010 T/R	E 11
R957	A11368-80R64	80.6 OHM 1% 0.50W 2010 T/R	E 11
R958	133910-1	RES, 27KOHM 5% 2W RAD T/R	I 8
R959	133910-1	RES, 27KOHM 5% 2W RAD T/R	F 9
R960	132560-1	RES, 220 OHM 5% 2W RADIAL	A 5
R961	132560-1	RES, 220 OHM 5% 2W RADIAL	A 5
R966	A11368-1R001	1 OHM .1W 1% 0805 T/R	H 10
R977	A11368-47532	475 KOHM .125W 1% CHIP RES	B 9
R978	A11368-47532	475 KOHM .125W 1% CHIP RES	B 9
R999	A11368-10031	100.KOHM .1W 1% CHIP 0805	R 12
RT100	132095-1	NTC, 20K J 2% W/CONNECTOR	H 10
RT101	133188-1	THERMISTOR, 20K NTC 0805 SMT	P 5
RT102	133188-1	THERMISTOR, 20K NTC 0805 SMT	L 5
RT201	133188-1	THERMISTOR, 20K NTC 0805 SMT	H 5
RT202	133188-1	THERMISTOR, 20K NTC 0805 SMT	D 5
RT900	138466-1	PRP, 101103-1 PTC .125	C 10
RT901	138466-1	PRP, 101103-1 PTC .125	B 9
S1	C 7325-1	2POLE 2POS PC SLIDE SWITCH	I 14
S2	132498-1	SWITCH, DPST PUSHBUTTON VDECSA	C 10
S3	C 7325-1	2POLE 2POS PC SLIDE SWITCH	I 16
S100	131589-1	SWITCH, 2P3T SLIDE VRT PCB MNT	J 13
S101	127386-1	SWITCH, 4P3T SLIDE R/A PCB MNT	K 14
S200	131589-1	SWITCH, 2P3T SLIDE VRT PCB MNT	H 13
S201	127386-1	SWITCH, 4P3T SLIDE R/A PCB MNT	G 14
T900	138362-1	PRP, 134525-2 XFMR .125	H 10
T901	137838-1	XFMR, 5.0VA 115V/230V 28V C.T.	B 10
T902	133382-2	XFMR, CTS BJT 125KHZ POWER	D 9
T903	132050-1	XFMR, CURRENT 1:200	D 10
TB1	C 9676-5	3 POS, R/A 5MM HDR RND PIN	K 15
TB2	C 9676-5	3 POS, R/A 5MM HDR RND PIN	I 15
TP6	127064-1	TEST POINT, SMT 1206	B 2
TP7	127064-1	TEST POINT, SMT 1206	P 2
TP109	127064-1	TEST POINT, SMT 1206	K 13
TP110	127064-1	TEST POINT, SMT 1206	L 2
TP111	127064-1	TEST POINT, SMT 1206	P 9
TP112	127064-1	TEST POINT, SMT 1206	P 11
TP121	127064-1	TEST POINT, SMT 1206	D 2

TP122	127064-1	TEST POINT, SMT 1206	M 7
TP123	127064-1	TEST POINT, SMT 1206	P 2
TP124	127064-1	TEST POINT, SMT 1206	O 7
TP125	127064-1	TEST POINT, SMT 1206	H 9
TP127	127064-1	TEST POINT, SMT 1206	G 10
TP128	127064-1	TEST POINT, SMT 1206	B 3
TP129	127064-1	TEST POINT, SMT 1206	C 3
TP130	127064-1	TEST POINT, SMT 1206	H 8
TP131	127064-1	TEST POINT, SMT 1206	M 8
TP132	127064-1	TEST POINT, SMT 1206	L 9
TP133	127064-1	TEST POINT, SMT 1206	M 8
TP134	127064-1	TEST POINT, SMT 1206	F 12
TP138	127064-1	TEST POINT, SMT 1206	E 11
TP139	127064-1	TEST POINT, SMT 1206	E 12
TP140	127064-1	TEST POINT, SMT 1206	A 7
TP141	127064-1	TEST POINT, SMT 1206	A 7
TP142	127064-1	TEST POINT, SMT 1206	J 10
TP143	127064-1	TEST POINT, SMT 1206	L 3
TP145	127064-1	TEST POINT, SMT 1206	J 7
TP146	127064-1	TEST POINT, SMT 1206	E 7
TP147	127064-1	TEST POINT, SMT 1206	C 12
TP209	127064-1	TEST POINT, SMT 1206	G 13
TP210	127064-1	TEST POINT, SMT 1206	I 1
TP211	127064-1	TEST POINT, SMT 1206	O 9
TP221	127064-1	TEST POINT, SMT 1206	E 2
TP222	127064-1	TEST POINT, SMT 1206	H 7
TP223	127064-1	TEST POINT, SMT 1206	Q 2
TP224	127064-1	TEST POINT, SMT 1206	H 7
U1	131790-1	EEPROM, SERIAL 256X8 SMT	H 11
U2	126556-1	OP AMP, LM324ADR SOIC-14 QUAD	G 10
U3	133328-1	IC, HEX BUFF NON INV 16P SOIC	G 9
U4	133328-1	IC, HEX BUFF NON INV 16P SOIC	I 9
U5	C 9038-8	COMPARATOR, QUAD LM339D SO-14	B 2
U6	132265-1	IC, CONTROLLER UC3846 SMD	F 11
U7	102484-1	REG +15V D2PAK 2.25W	F 12
U8	C 9038-8	COMPARATOR, QUAD LM339D SO-14	M 11
U9	C 9012-3	OP AMP, QUAD LO NOISE MC33079D	D 2
U10	C 9012-3	OP AMP, QUAD LO NOISE MC33079D	Q 2
U11	126556-1	OP AMP, LM324ADR SOIC-14 QUAD	J 2
U12	C 9038-8	COMPARATOR, QUAD LM339D SO-14	J 2
U13	126556-1	OP AMP, LM324ADR SOIC-14 QUAD	K 2
U14	132640-1	IC, DUAL TRANSCONDUCT OP AMP	F 2
U15	132640-1	IC, DUAL TRANSCONDUCT OP AMP	O 2
U20	133491-1	FORMED, C 5095-2 (7815)	Q 6
U21	133492-1	FORMED, C 5096-0 (7915)	M 6
U22	133491-1	FORMED, C 5095-2 (7815)	F 6
U23	133492-1	FORMED, C 5096-0 (7915)	I 6
U100	139499-1	OPTOCOUPLER, MACRON INTL MI0202CLD-R	I 13
U101	C 9012-3	OP AMP, QUAD LO NOISE MC33079D	J 13
U102	C 9012-3	OP AMP, QUAD LO NOISE MC33079D	K 12
U104	134835-1	OP AMP, OP07 LOW OFFSET SO8	L 13
U105	C 9038-8	COMPARATOR, QUAD LM339D SO-14	K 12
U107	C 9038-8	COMPARATOR, QUAD LM339D SO-14	M 12
U108	C 9038-8	COMPARATOR, QUAD LM339D SO-14	M 2
U109	C 9038-8	COMPARATOR, QUAD LM339D SO-14	M 2
U111	C 9038-8	COMPARATOR, QUAD LM339D SO-14	P 11
U112	C 9012-3	OP AMP, QUAD LO NOISE MC33079D	F 3
U200	139499-1	OPTOCOUPLER, MACRON INTL MI0202CLD-R	I 13
U201	C 9012-3	OP AMP, QUAD LO NOISE MC33079D	H 13

U202	C 9012-3	OP AMP, QUAD LO NOISE MC33079D	H 12
U204	134835-1	OP AMP, OP07 LOW OFFSET SO8	G 13
U205	C 9038-8	COMPARATOR, QUAD LM339D SO-14	H 12
U207	C 9038-8	COMPARATOR, QUAD LM339D SO-14	L 12
U208	C 9038-8	COMPARATOR, QUAD LM339D SO-14	G 2
U209	C 9038-8	COMPARATOR, QUAD LM339D SO-14	H 2
U211	C 9038-8	COMPARATOR, QUAD LM339D SO-14	O 11
U900	C 9038-8	COMPARATOR, QUAD LM339D SO-14	D 12
W1A	134211-1	WIRE ASSY, 14GA BRN/GRY 10.5"	G 11
W1B		OPEN	M 15
W2A	134207-2	WIRE ASSY, 14GA GRY 25.5"	I 3
W2B		OPEN	M 15
W3A	134208-2	WIRE ASSY, 14GA BLK/GRY 25.5"	I 3
W3B		OPEN	M 15
W4B		OPEN	M 15
W4C	139572-1	WIRE ASSY, 14GA BLK 6.5"	M 13
W5A	134210-2	WIRE ASSY, 14GA BLK/WHT 22.0"	M 3
W5B		OPEN	N 15
W6A	134209-2	WIRE ASSY, 14GA WHT 20.5"	O 2
W6B		OPEN	N 15
W7A	134212-1	WIRE ASSY, 14GA BRN/WHT 7.0"	K 11
W7B		OPEN	N 15
W15A	135036-1	WIRE ASSY, 14GA BLU/WHT 20.5"	K 11
W15B		OPEN	N 3
W16A	135035-1	WIRE ASSY, 14GA BLU/GRY 30.0"	G 11
W16B		OPEN	H 3
WP901	134204-2	WIRE ASSY, 14GA BRN 5.0" LINE	A 14
WP902	134205-2	WIRE ASSY, 14GA BLU 5.0" NTRL	B 14
Z900		OPEN	A 9
Z901		OPEN	B 9
Z902		OPEN	C 9
Z903		OPEN	C 8
Z904	A11371-0R02	0. OHM .125W 5% CHIP RES T/R	A 9
Z905	134606-1	JUMPER, 14AWG BUS WIRE	C 9

Section 1.7
CTs600 230V Schematic 138554-3

REVISION HISTORY					
E. C. N.	ZONE	REV	DESCRIPTION	DATE	APPROVED
					DWN CM PE
34706		A	SEE 138534-3.A.XLS FOR COMPONENT DATA AND REVISION HISTORY.	6-6-07	JFL DSV BWP
		B	SEE 138534-3.B.XLS FOR COMPONENT DATA AND REVISION HISTORY.	7-16-07	JFL DSV BWP



COMPONENT MAP
TOP SIDE

SEE NOTE 8
135520-2
KAPTON TAPE
4 PLACES

SEE DETAIL "A"
SHEET 2

SEE NOTE 9
4 PLACES

SEE NOTE 12
10 PLACES

COMPONENT
SIDE OF PWB

HEAT SINK
EXTRUDED
132644-4

132565-2
SILPAD

TO220 COMPONENTS

133930-1 TEE BAR CLIP

103415-70608 SCREW
TORQUE = 19-21 IN-LBS

UNCONTROLLED
UNLESS OTHERWISE MARKED IN RED INK BY CM AS A
CONTROLLED COPY. COPIES OF THESE DOCUMENTS
INCLUDING ASSOCIATED ELECTRONIC REPRODUCTIONS
ARE FOR REFERENCE ONLY.
THESE DRAWINGS AND SPECIFICATIONS ARE THE
PROPERTY OF CROWN INTERNATIONAL, INC. AND
SHALL NOT BE REPRODUCED, COPIED, OR USED
AS THE BASIS FOR THE MANUFACTURE OR SALE
OF APPARATUS OR DEVICES WITHOUT PERMISSION.

HOT MELT GLUE
19 PLACES
SHOWN FOR REFERENCE ONLY

132565-2
SILPAD

COMPONENT
SIDE OF PWB

SEE NOTE 6
3 PLACES

131029-10604
SCR, #6-32X0.250 THREAD ROLL
4 PLACES ON 600 WATT MODELS
TORQUE = 20-22 IN-LBS

OPEN ON 600 WATT MODELS
132644-4 HEAT SINK, EXTRUDED

SEE NOTE 8
KAPTON TAPE
BOTTOM SIDE OF HEATSINK

SEE NOTE 13
102659-1
#NPN, TO-3 MJ21194 PWR
2 PLACES X 4 HEATSINKS ON 600 WATT MODELS
APPLY WHITE GREASE (S 2162-6)
0.008" THICK (REFERENCE)
PRIOR TO INSTALLING TRANSISTORS

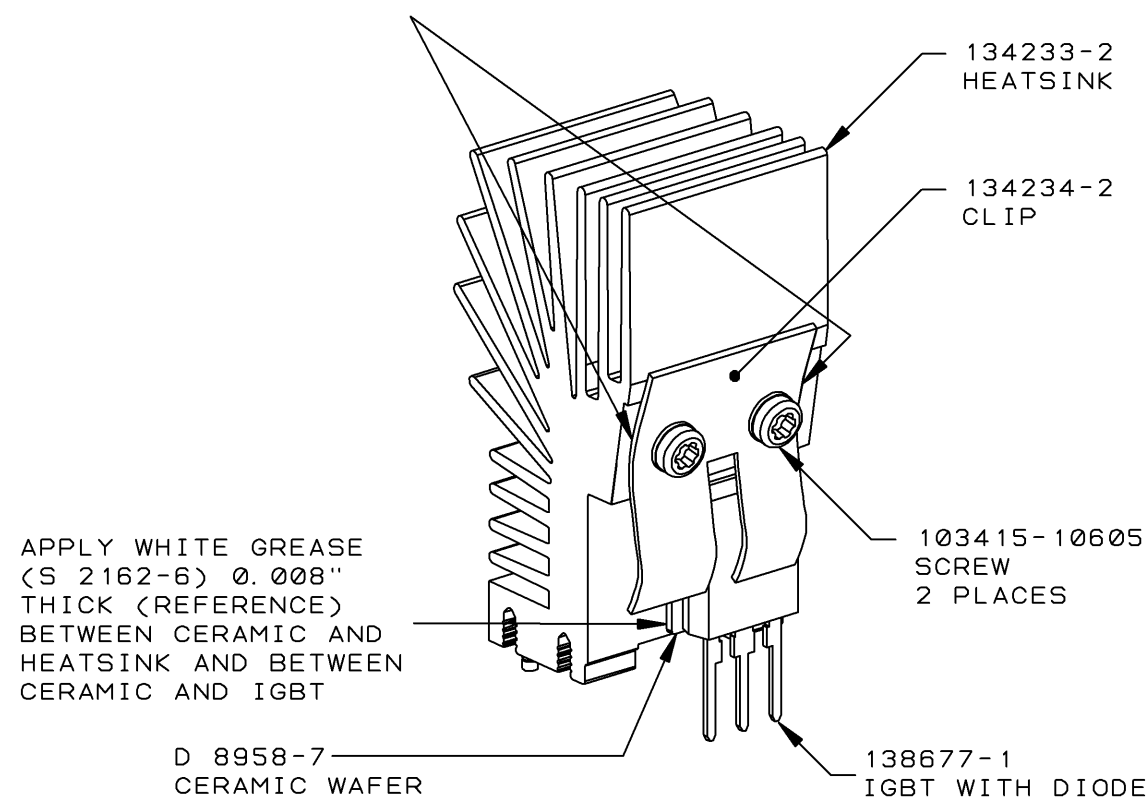


DISTRIBUTION		TITLE	
DWN	JFL	6-6-07	PWA, CTS600 230V
CM	DSV	6-6-07	
PE	BP	6-6-07	
FILENAME 138534-3.B_01.PCB		SIZE DWG NO. D 138534-3	
TOLERANCE UNLESS OTHERWISE SPECIFIED .00 = ±.02" .000 = ±.010" DRILLS = ±.003"		SCALE NONE	
DO NOT SCALE DRAWING		PROJ NO. MD43300	
		SHEET 1 OF 6	

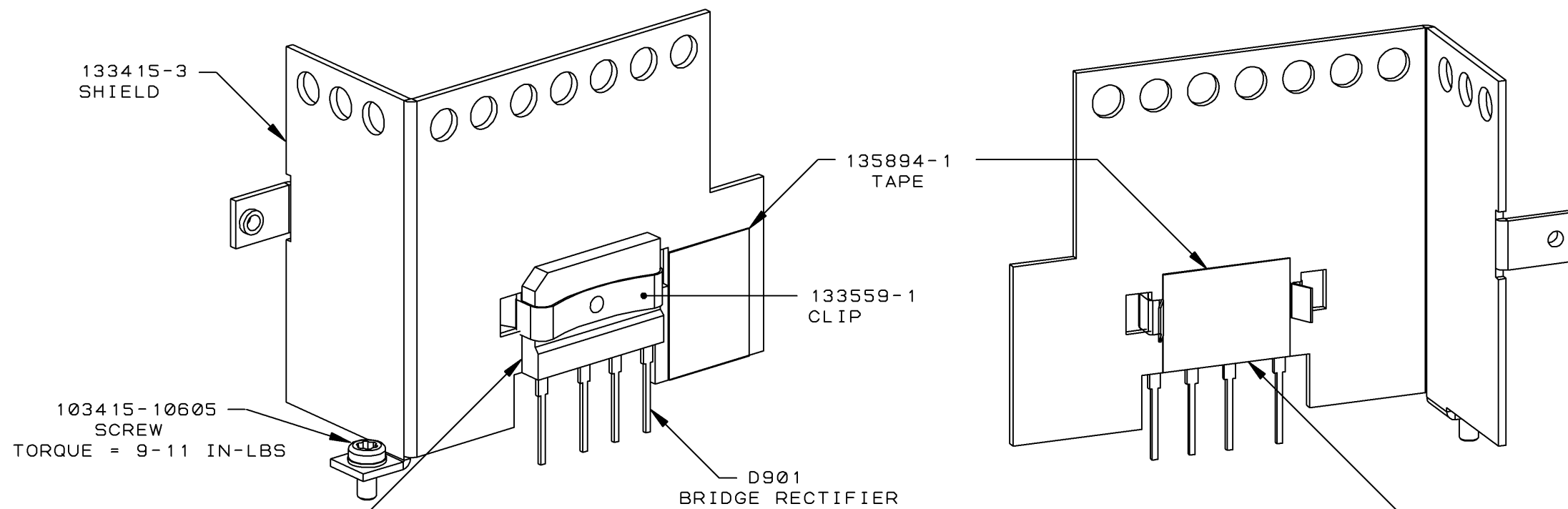
CROWN H A Harman International Company
1718 WEST MISHAWAKA RD. ELKHART IN. 46517
PHONE 574-294-8000 WWW.CROWNAUDIO.COM

TORQUE MAY NEED TO BE ADJUSTED TO ACHIEVE THE REQUIREMENTS BELOW:

1. THREADS MUST NOT BE STRIPPED.
2. THE FORCE OF THE SCREW MUST BEND THE CLIPS SO THAT THEY EITHER TOUCH OR ARE WITHIN 0.004" OF THE HEATSINK AT THE TWO PLACES INDICATED.



DETAIL "A"
SCALE 1:1



FRONT VIEW

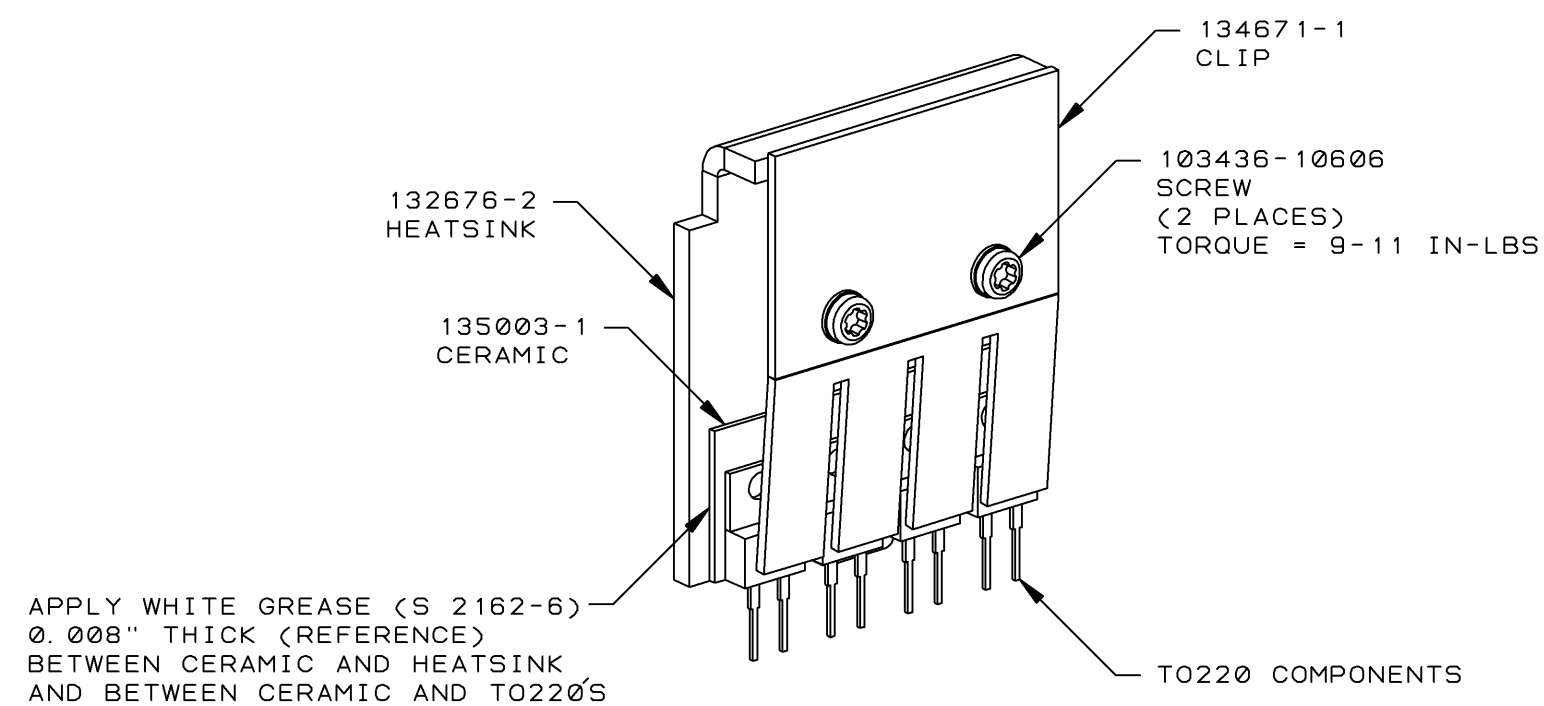
BACK VIEW

DETAIL "B"
SCALE 1:1

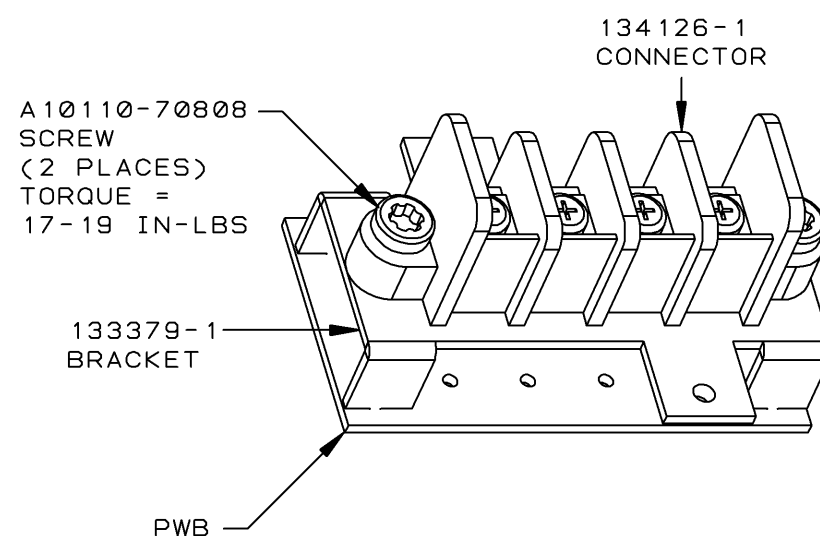
ALL METAL MUST BE COVERED BY INSULATOR ALONG THIS EDGE OF SHIELD

TORQUE MAY NEED TO BE ADJUSTED TO ACHIEVE THE REQUIREMENTS BELOW:

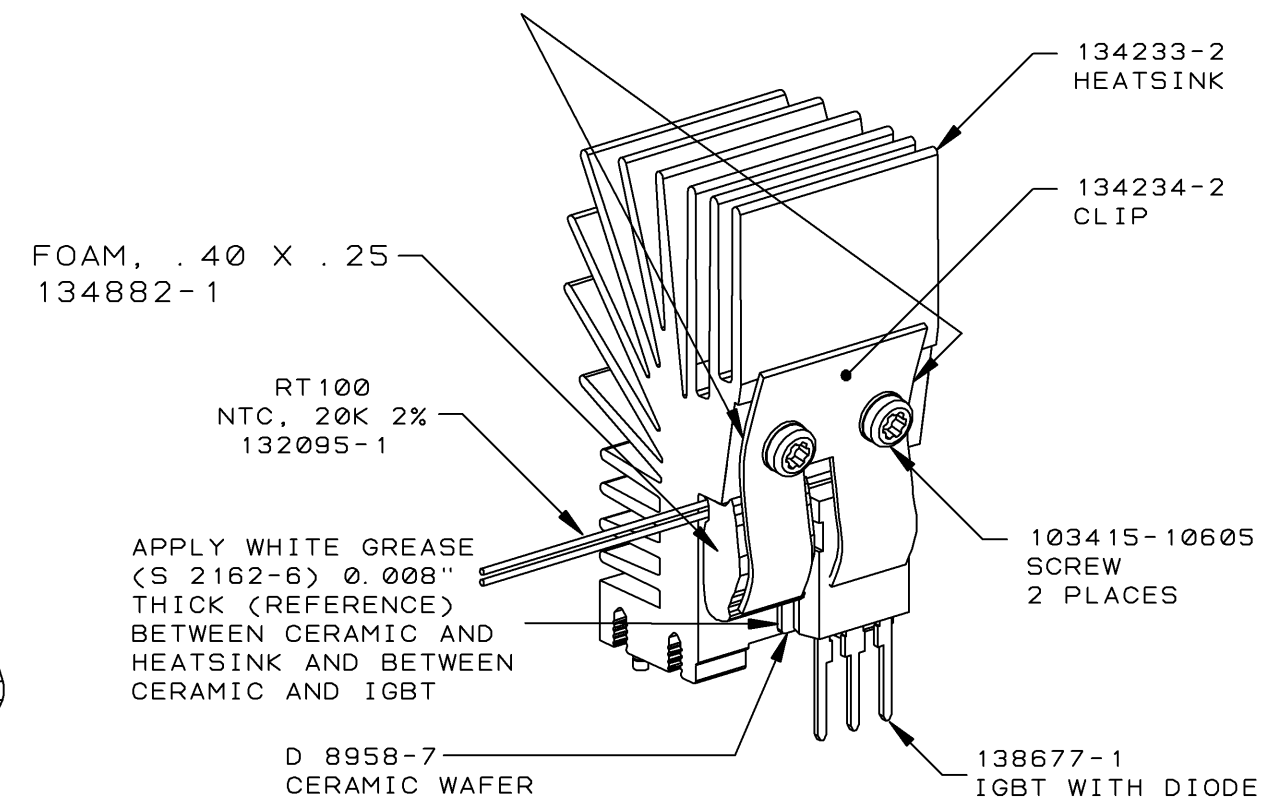
1. THREADS MUST NOT BE STRIPPED.
2. THE FORCE OF THE SCREW MUST BEND THE CLIPS SO THAT THEY EITHER TOUCH OR ARE WITHIN 0.004" OF THE HEATSINK AT THE TWO PLACES INDICATED.



DETAIL "C"
SCALE 1:1



DETAIL "D"
SCALE 1:1

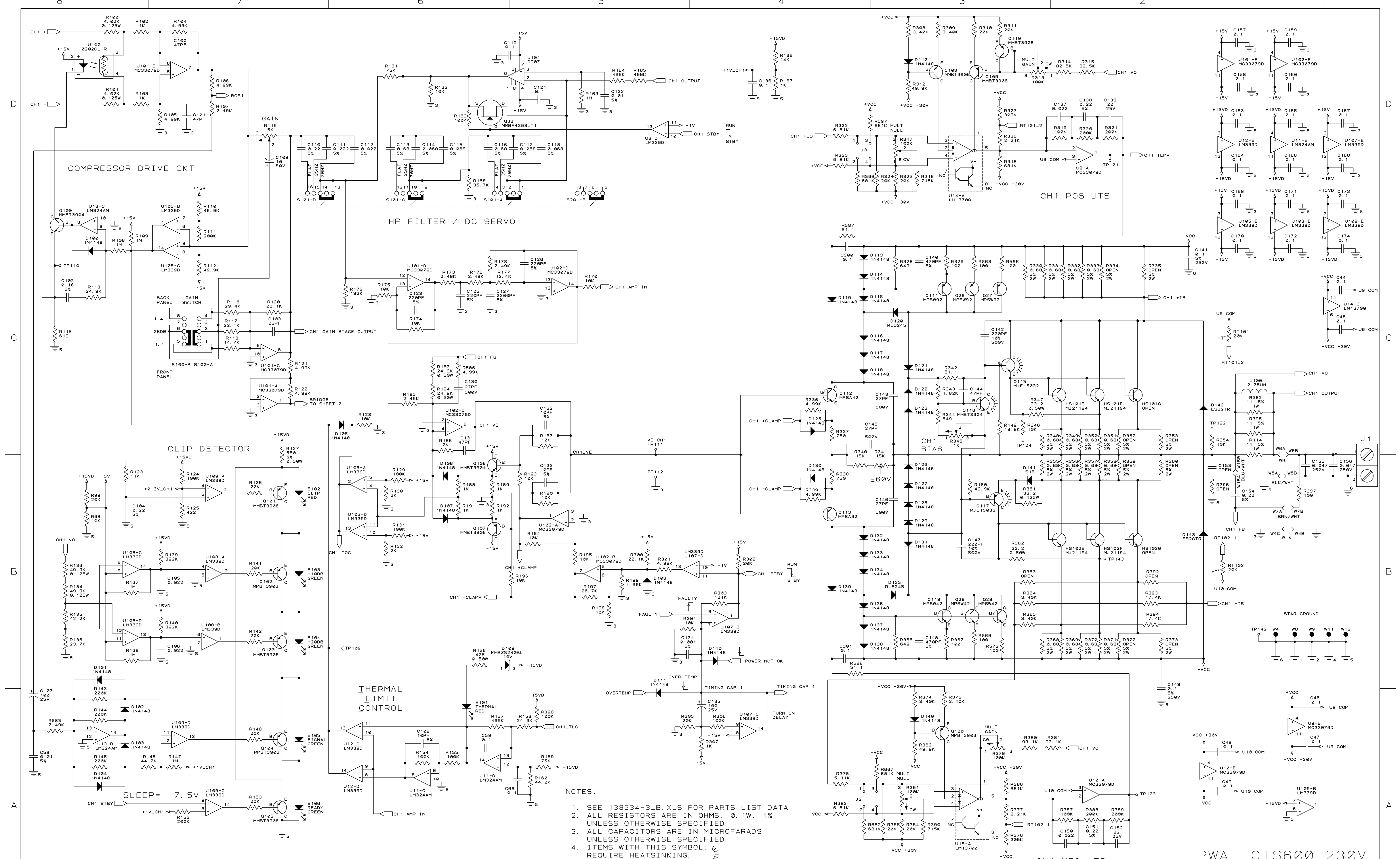


Q911 ONLY
DETAIL "E"
SCALE 1:1

UNCONTROLLED
UNLESS OTHERWISE MARKED IN RED INK BY CM AS A CONTROLLED COPY. COPIES OF THESE DOCUMENTS INCLUDING ASSOCIATED ELECTRONIC REPRODUCTIONS ARE FOR REFERENCE ONLY.

THESE DRAWINGS AND SPECIFICATIONS ARE THE PROPERTY OF CROWN INTERNATIONAL, INC. AND SHALL NOT BE REPRODUCED, COPIED, OR USED AS THE BASIS FOR THE MANUFACTURE OR SALE OF APPARATUS OR DEVICES WITHOUT PERMISSION.

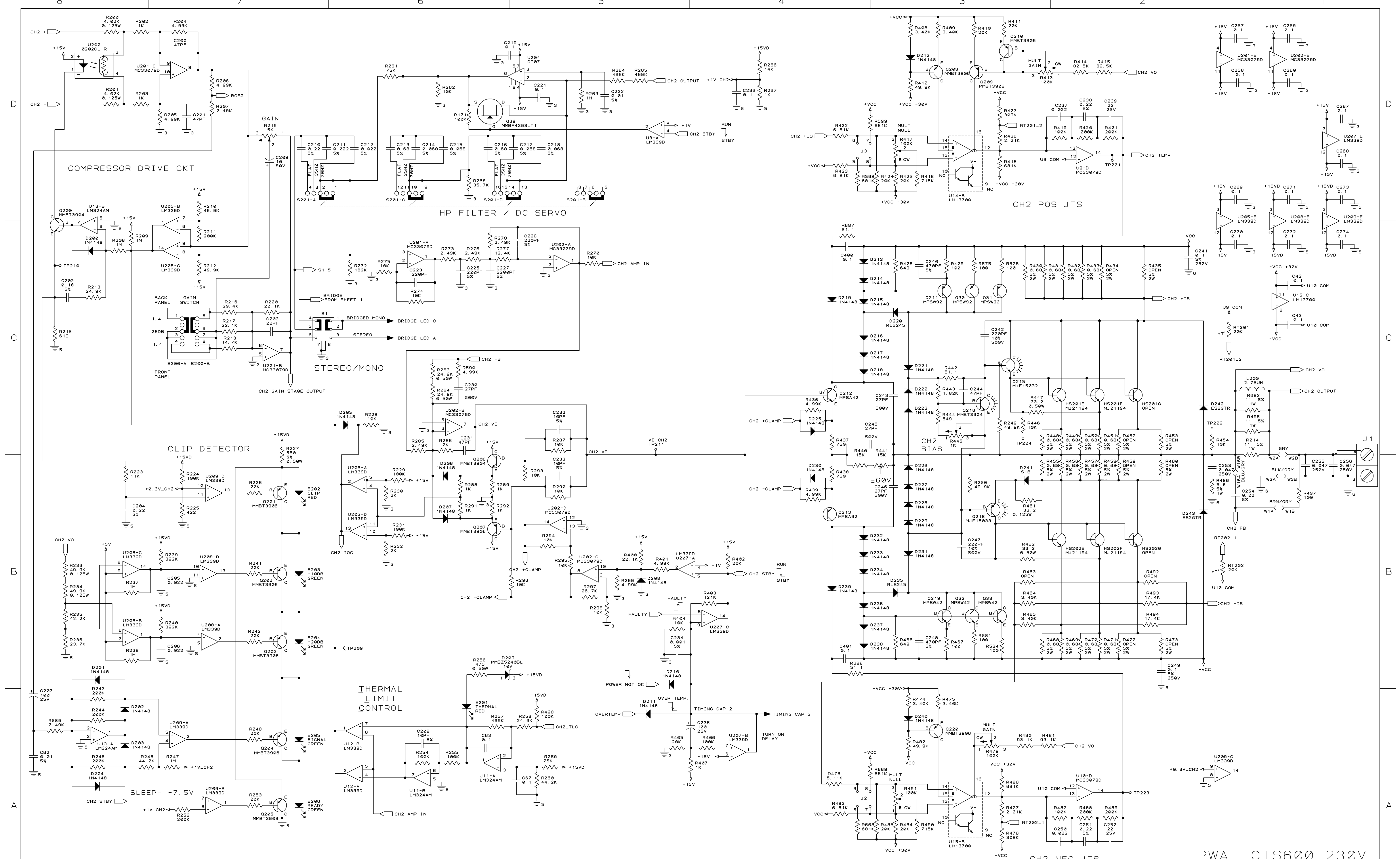
SIZE	DWG NO.	REV
C	138534-3	B
SCALE NONE	PROJ NO. MD433D0	SHEET 2 OF 6



- NOTES:
1. SEE 138534-3.B.XLS FOR PARTS LIST DATA
 2. ALL RESISTORS ARE IN OHMS, 0.1W, 1% UNLESS OTHERWISE SPECIFIED.
 3. ALL CAPACITORS ARE IN MICROFARADS UNLESS OTHERWISE SPECIFIED.
 4. ITEMS WITH THIS SYMBOL: REQUIRE HEATSINKING.

UNCONTROLLED UNLESS OTHERWISE MARKED IN RED INK BY CM AS A CONTROLLED COPY, COPIES OF THESE DOCUMENTS INCLUDING ASSOCIATED ELECTRONIC REPRODUCTIONS ARE FOR REFERENCE ONLY.	THESE DRAWINGS AND SPECIFICATIONS ARE THE PROPERTY OF CROWN INTERNATIONAL, INC. AND SHALL NOT BE REPRODUCED, COPIED, OR USED AS THE BASIS FOR THE MANUFACTURE OR SALE OF APPARATUS OR DEVICES WITHOUT PERMISSION.	SIZE DWG NO. D 138534-3	REV B
SCALE NONE	PROJ NO. MD43300	SHEET 3 OF 6	

PWA, CTS600 230V



UNCONTROLLED UNLESS OTHERWISE MARKED IN RED INK BY CM AS A CONTROLLED COPY. COPIES OF THESE DOCUMENTS INCLUDING ASSOCIATED ELECTRONIC REPRODUCTIONS ARE FOR REFERENCE ONLY.		THESE DRAWINGS AND SPECIFICATIONS ARE THE PROPERTY OF CROWN INTERNATIONAL, INC. AND SHALL NOT BE REPRODUCED, COPIED, OR USED AS THE BASIS FOR THE MANUFACTURE OR SALE OF APPARATUS OR DEVICES WITHOUT PERMISSION.		SIZE DWG NO. D 138534-3	REV B
SCALE NONE	PROJ NO. MD43300	SHEET 4 OF 6			

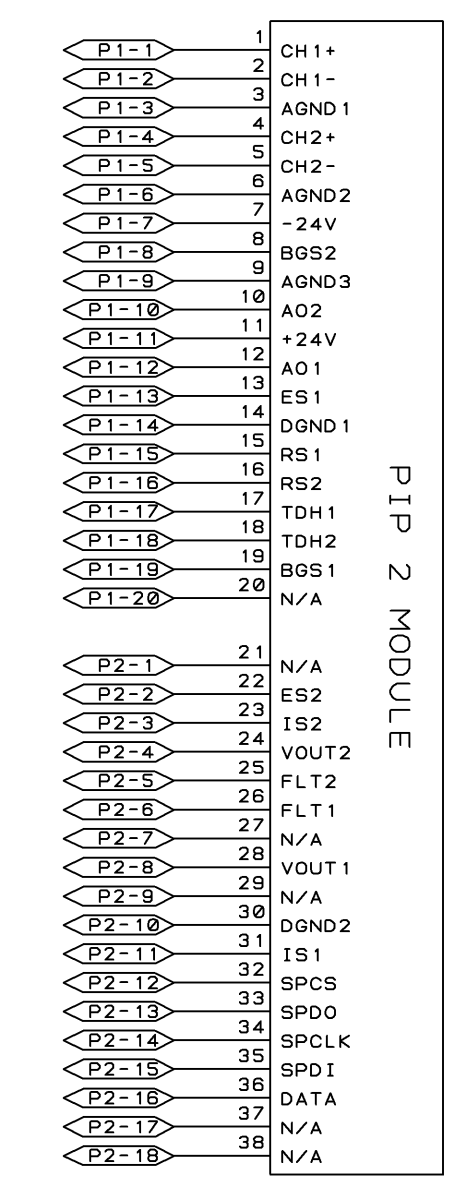
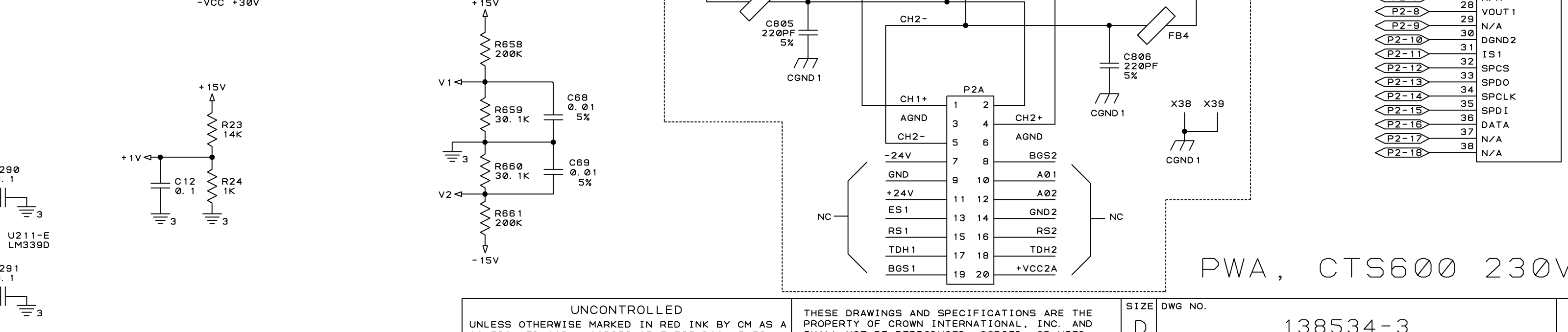
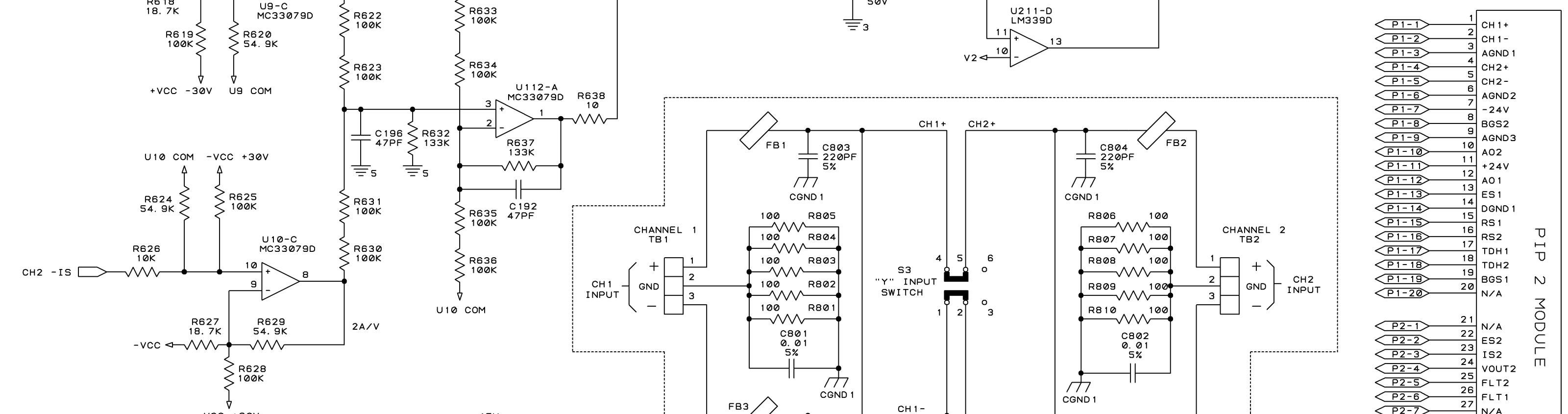
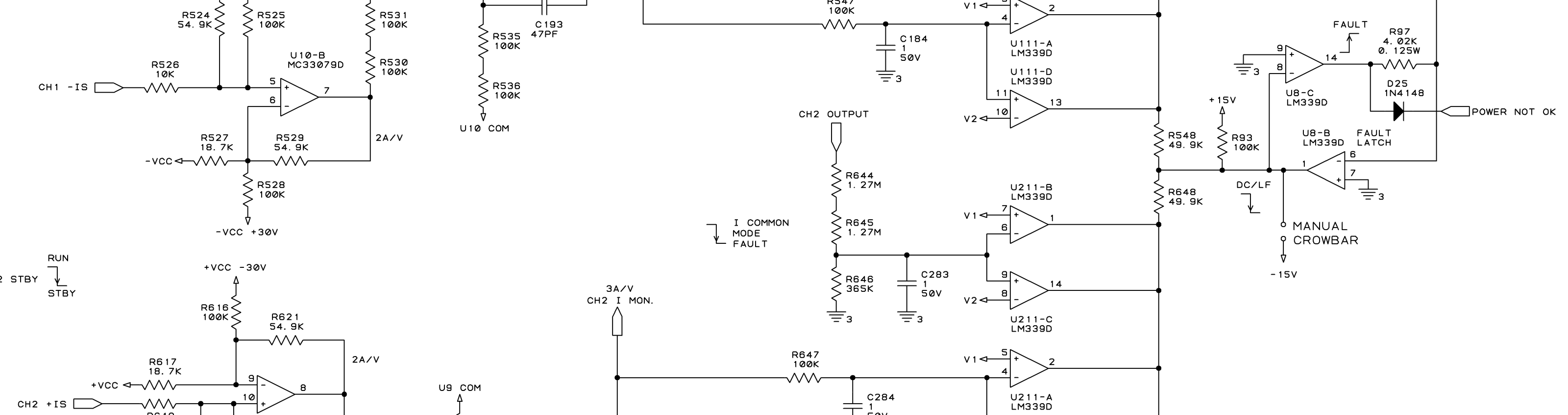
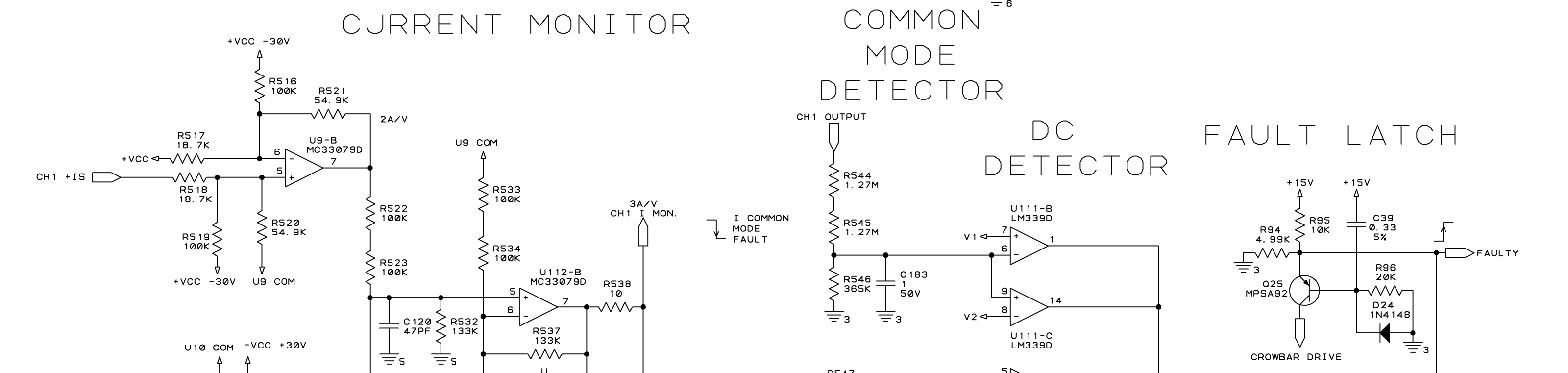
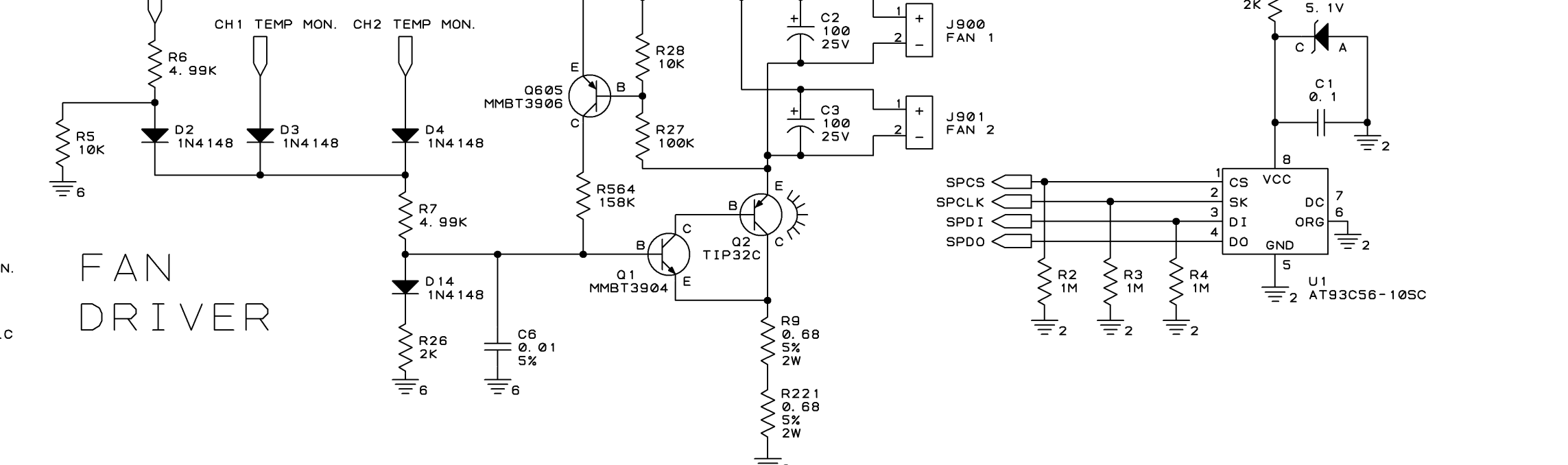
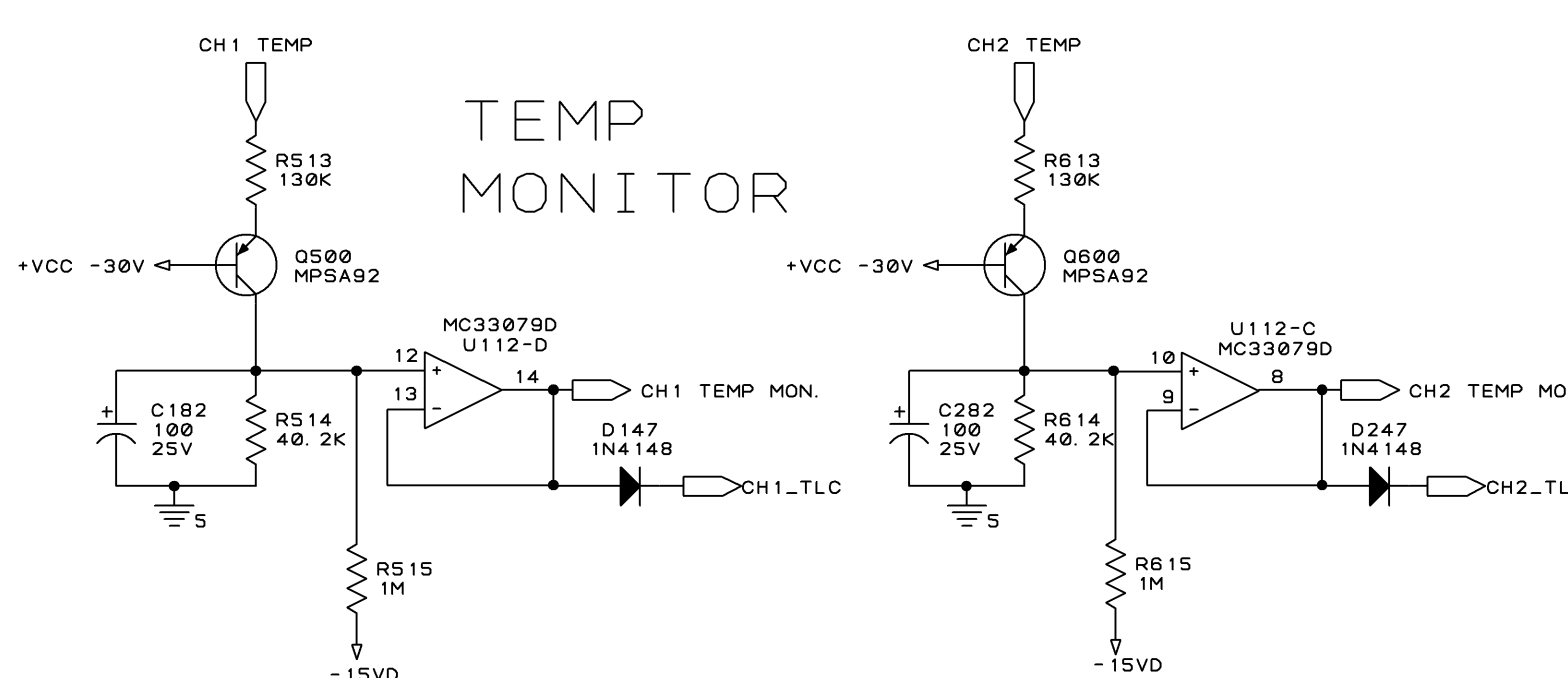
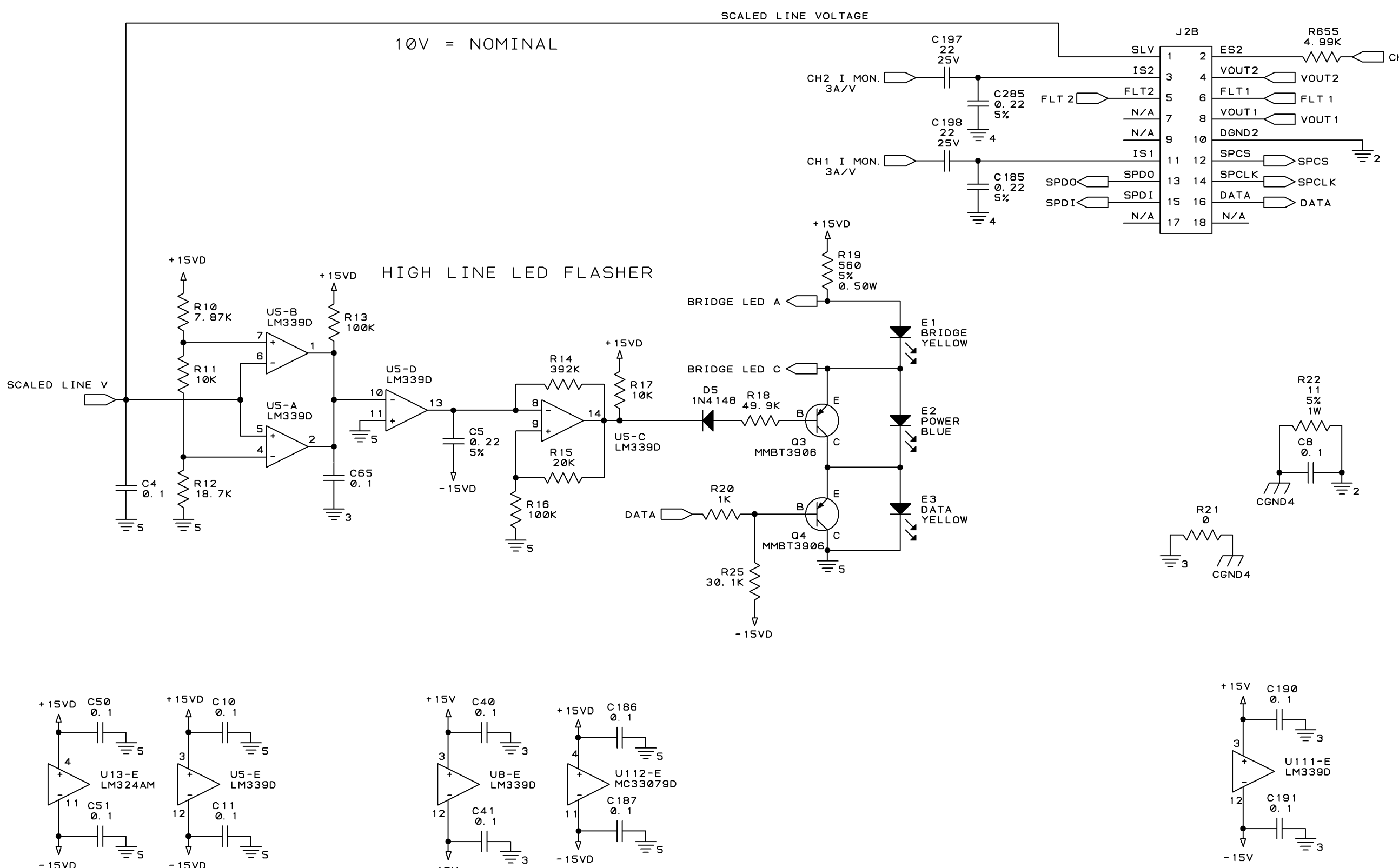
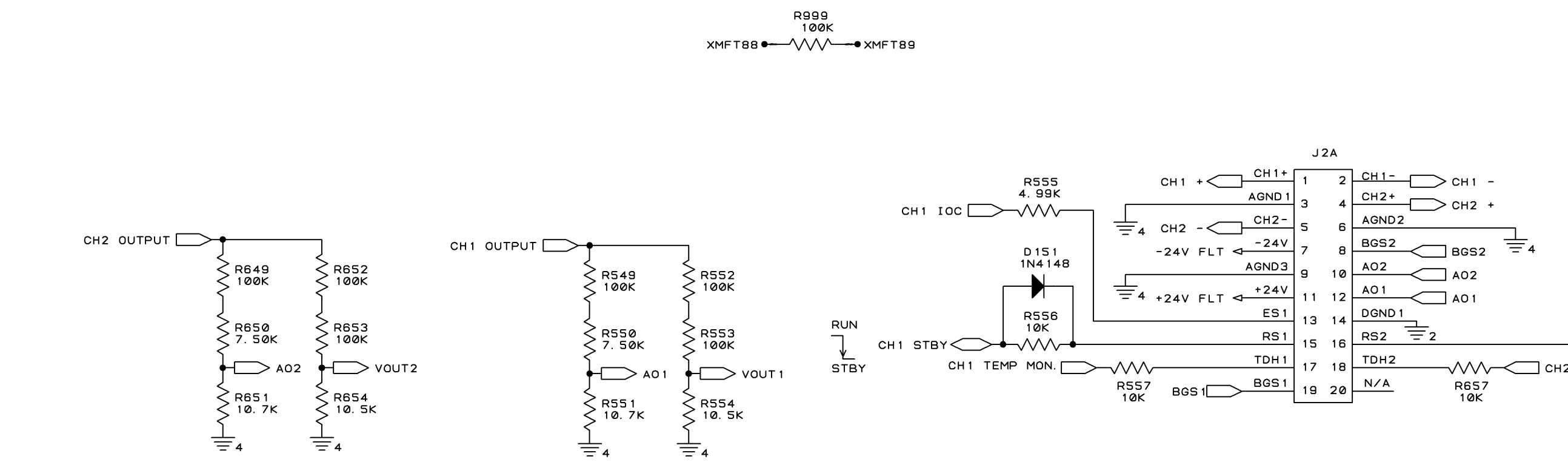
- HOT/NEUTRAL
- PRIMARY ±190V
- PRIMARY +190V
- PRIMARY -190V
- PRIMARY 0V
- GROUND
- ±120V_CH1
- ±120V_CH2
- +120V
- -120V
- ±26V

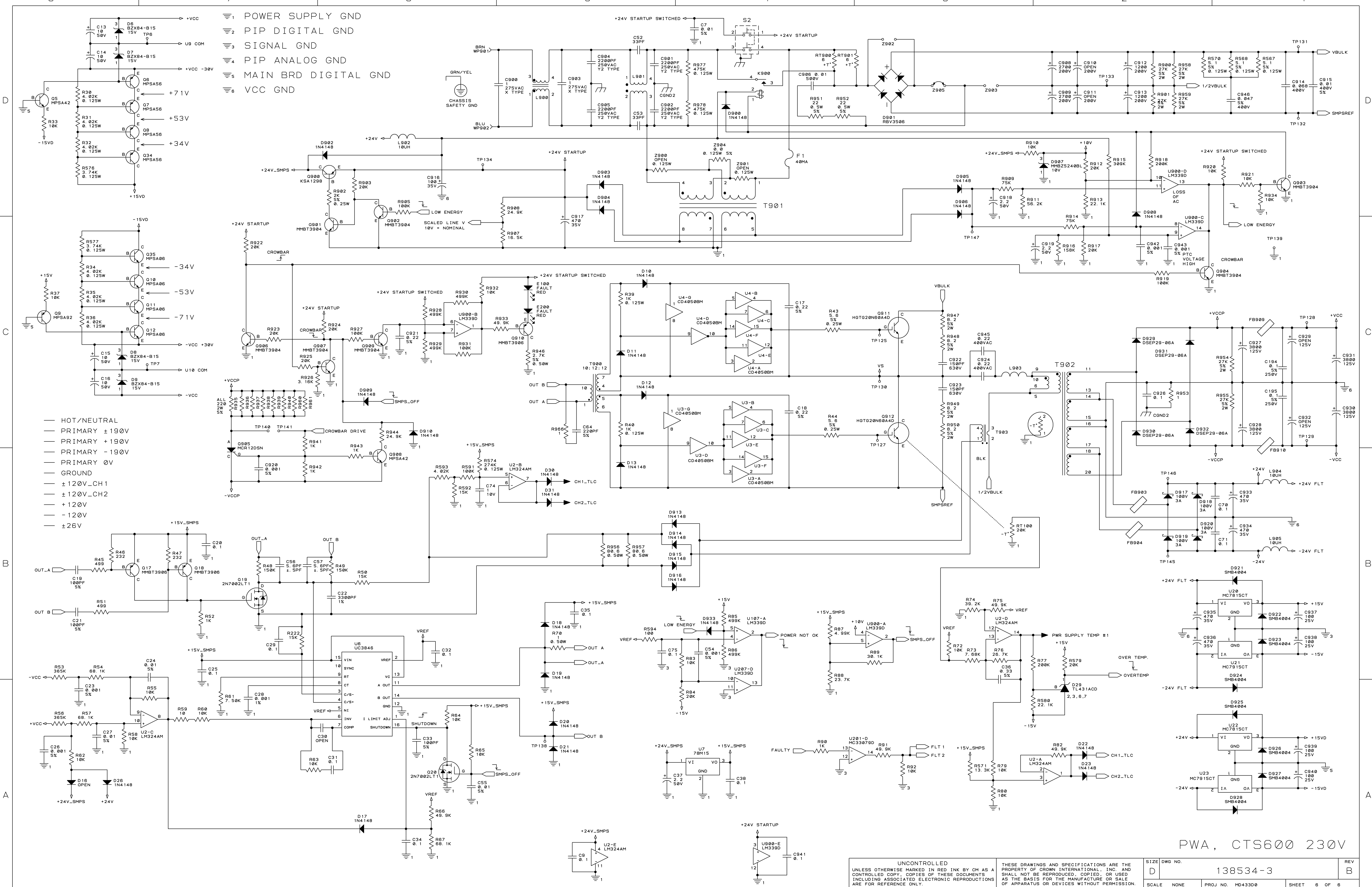
VOLTAGE SPACINGS FOR PWB 138530-3
NUMBERS ARE IN THOUSANDTHS

	HOT/NEUTRAL	PRIMARY ±190V	PRIMARY +190V	PRIMARY -190V	PRIMARY 0V	CHASSIS GROUND	±120V CH1	±120V CH2	+120V	-120V	±26V
HOT/NEUTRAL	50	50	50	50	30	100	225	225	225	225	225
PRIMARY ±190V	50	10	50	50	30	100	225	225	225	225	225
PRIMARY +190V	50	50	10	50	30	100	225	225	225	225	225
PRIMARY -190V	50	50	50	10	30	100	225	225	225	225	225
PRIMARY 0V	30	30	30	30	10	100	225	225	225	225	225
CHASSIS GROUND	100	100	100	100	100	10	20	20	20	20	10
±120V CH1	225	225	225	225	225	20	10	35	35	35	25
±120V CH2	225	225	225	225	225	20	35	10	35	35	25
+120V	225	225	225	225	225	20	35	35	10	35	20
-120V	225	225	225	225	225	20	35	35	35	10	20
±26V	225	225	225	225	225	10	25	25	20	20	10

TABLE 3
MODEL DIFFERENCE

	CTS600 100V 138532	CTS600 120V 138533	CTS600 230V 138534	CTS1200 100V 138535	CTS1200 120V 138536	CTS1200 230V 138537
R999	P/N = A11368-10011	P/N = A11368-10021	P/N = A11368-10031	P/N = A11368-20011	P/N = A11368-20021	P/N = A11368-20031





PWA, CTS600 230V

UNCONTROLLED UNLESS OTHERWISE MARKED IN RED INK BY CM AS A CONTROLLED COPY. COPIES OF THESE DOCUMENTS INCLUDING ASSOCIATED ELECTRONIC REPRODUCTIONS ARE FOR REFERENCE ONLY.		THESE DRAWINGS AND SPECIFICATIONS ARE THE PROPERTY OF CROWN INTERNATIONAL, INC. AND SHALL NOT BE REPRODUCED, COPIED, OR USED AS THE BASIS FOR THE MANUFACTURE OR SALE OF APPARATUS OR DEVICES WITHOUT PERMISSION.		SIZE D	DWG NO. 138534-3	REV B
SCALE NONE	PROJ NO. MD43300	SHEET 6 OF 6				

Section 2
CTs1200 120V BOM (Bill of Materials)

REVISION HISTORY						
E.C.N	REV	DESCRIPTION	DATE	DWN	PE	CM
	A	INITIAL RELEASE DERIVED FROM 138536-3 REV. 2 C938 WAS ROTATED TO 90°	06/07/07	JFL	BP	DSV
34706	B	U100 & U200 WERE 139618-1 (PREPPED PART)	07/16/07	JFL	BWP	DSV

UNLESS OTHERWISE SPECIFIED, THIS PRINTED WIRING ASSEMBLY SHALL MEET THE SPECIFICATION DESCRIBED IN IPC-A-610_ CLASS 2 STANDARDS.

ROHS COMPLIANCE: THIS PART MUST COMPLY WITH CROWN AUDIO SPECIFICATION 138935 AND ROHS DIRECTIVE 2002/95/EC OR BE DEFINED AS A ROHS APPROVED EXCEPTION.

NOTES:

1. PRINTED WIRING BOARD PART NUMBER 138530-3
2. SEE 138536-3_B.TIF FOR SCHEMATIC AND COMPONENT MAP.
3. ALL LEADS SHALL BE TRIMMED TO 0.125" OR LESS.
4. POSITION COMPONENTS AS SHOWN ON COMPONENT MAP.
5. INSTALL CAPTIVE NUTS (A10019-16) TO BOTTOM OF PRINTED WIRING BOARD.
6. COAT BOTTOM SIDE OF ALUMINUM HEATSINK WITH OXIDE INHIBITOR S 6442-8 IN 3 PLACES (SEE COMPONENT MAP).
7. INSTALL SILPAD (132565-2) OVER TO220 DEVICES PRIOR TO INSTALLING HEATSINK (132644-4) SEE COMPONENT MAP.
8. APPLY KAPTON TAPE (135520-2) TO BOTTOM OF HEATSINK (132644-4) PRIOR TO INSTALLING HEATSINK. SEE COMPONENT MAP FOR LOCATIONS.
9. COVER TOP SURFACE OF RT101, RT102, RT201, AND RT202 WITH HEATSINK COMPOUND (S 2162-6) PRIOR TO INSTALLING HEATSINK (132644-4).
10. APPLY TAPE 135894-1 TO EMI SHIELD 133415-3 SEE COMPONENT MAP FOR LOCATIONS.
11. MOVE R947 OR PREVENT R947 FROM TOUCHING HEATSINK.
12. APPLY TORQUE SEAL (101036-1) TO ALL POTS AFTER FINAL ADJUSTMENT.
13. ALL GRADED POWER TRANSISTORS (102659-1) ON A HEATSINK MUST BE OF THE SAME GRADE.

ECR PENDING



UNCONTROLLED
 UNLESS OTHERWISE MARKED IN RED INK BY CM AS A CONTROLLED COPY, COPIES OF THESE DOCUMENTS INCLUDING ASSOCIATED ELECTRONIC REPRODUCTIONS ARE FOR REFERENCE ONLY
 THESE DRAWINGS AND SPECIFICATIONS ARE THE PROPERTY OF CROWN INTERNATIONAL, INC. AND SHALL NOT BE REPRODUCED, COPIED, OR USED AS THE BASIS FOR THE MANUFACTURE OR SALE OF APPARATUS OR DEVICES WITHOUT PERMISSION.

DWN	JFL	06/07/07	PE	BP	06/07/07	CM	DSV	06/08/07	DIST.	K		
-----	-----	----------	----	----	----------	----	-----	----------	-------	---	--	--

REF. DES.	CPN	DESCRIPTION	MAP LOC.
C1	A11427-104K2	.1UF 50V CHIP CAP 10% 0805 X7R	H 11
C2	C10208-4	100.UF 25V 20% RAD ELECT T/R	K 10
C3	C10208-4	100.UF 25V 20% RAD ELECT T/R	N 13
C4	A11427-104K2	.1UF 50V CHIP CAP 10% 0805 X7R	B 1
C5	A11427-224J5	0.22UF 50V 5% X7R 1206 T/R	C 2
C6	103418-103J2	.01UF 5% 100V X7R 0805	N 12
C7	103418-103J2	.01UF 5% 100V X7R 0805	C 12
C8	A11427-104K2	.1UF 50V CHIP CAP 10% 0805 X7R	H 11
C9	A11427-104K2	.1UF 50V CHIP CAP 10% 0805 X7R	G 11
C10	A11427-104K2	.1UF 50V CHIP CAP 10% 0805 X7R	B 2
C11	A11427-104K2	.1UF 50V CHIP CAP 10% 0805 X7R	C 2
C12	A11427-104K2	.1UF 50V CHIP CAP 10% 0805 X7R	N 12
C13	C 9465-3	10UF 50V 20% VERT ELECT T/A	B 2
C14	C 9465-3	10UF 50V 20% VERT ELECT T/A	B 2
C15	C 9465-3	10UF 50V 20% VERT ELECT T/A	P 2
C16	C 9465-3	10UF 50V 20% VERT ELECT T/A	P 3
C17	A11427-224J5	0.22UF 50V 5% X7R 1206 T/R	I 9
C18	A11427-224J5	0.22UF 50V 5% X7R 1206 T/R	G 9
C19	A11369-101J2	100 PF 50V 5% NPO MLC 0805 T/R	E 10
C20	A11427-104K2	.1UF 50V CHIP CAP 10% 0805 X7R	F 10
C21	A11369-101J2	100 PF 50V 5% NPO MLC 0805 T/R	E 10
C22	A11369-332F5	3300.PF 50V 1% NPO MLC 1206	F 11
C23	A11369-102J2	.001UF 50V 5% NPO MLC 0805 T/R	F 11
C24	103418-103J2	.01UF 5% 100V X7R 0805	F 11
C25	A11427-104K2	.1UF 50V CHIP CAP 10% 0805 X7R	E 11
C26	A11369-102J2	.001UF 50V 5% NPO MLC 0805 T/R	F 10
C27	103418-103J2	.01UF 5% 100V X7R 0805	F 11
C28	A11369-102F2	1000PF 50V 1% CHIP CAP	F 11
C29	A11427-104K2	.1UF 50V CHIP CAP 10% 0805 X7R	F 11
C30		OPEN	F 11
C31	A11427-104K2	.1UF 50V CHIP CAP 10% 0805 X7R	F 11
C32	A11427-104K2	.1UF 50V CHIP CAP 10% 0805 X7R	F 11
C33	A11369-101J2	100 PF 50V 5% NPO MLC 0805 T/R	E 11
C34	A11427-104K2	.1UF 50V CHIP CAP 10% 0805 X7R	F 10
C35	A11427-104K2	.1UF 50V CHIP CAP 10% 0805 X7R	E 11
C36	139705-1	CAP, 0.33UF 50V 5% X7R 1206	G 10
C37	C 5362-6	2.2UF 50V VERT ELECT T/A	F 12
C38	A11427-104K2	.1UF 50V CHIP CAP 10% 0805 X7R	F 12
C39	139705-1	CAP, 0.33UF 50V 5% X7R 1206	M 11
C40	A11427-104K2	.1UF 50V CHIP CAP 10% 0805 X7R	M 11
C41	A11427-104K2	.1UF 50V CHIP CAP 10% 0805 X7R	M 11
C42	A11427-104K2	.1UF 50V CHIP CAP 10% 0805 X7R	O 1
C43	A11427-104K2	.1UF 50V CHIP CAP 10% 0805 X7R	N 1
C44	A11427-104K2	.1UF 50V CHIP CAP 10% 0805 X7R	F 1
C45	A11427-104K2	.1UF 50V CHIP CAP 10% 0805 X7R	F 1
C46	A11427-104K2	.1UF 50V CHIP CAP 10% 0805 X7R	D 2
C47	A11427-104K2	.1UF 50V CHIP CAP 10% 0805 X7R	E 2
C48	A11427-104K2	.1UF 50V CHIP CAP 10% 0805 X7R	P 2
C49	A11427-104K2	.1UF 50V CHIP CAP 10% 0805 X7R	Q 2
C50	A11427-104K2	.1UF 50V CHIP CAP 10% 0805 X7R	K 2
C51	A11427-104K2	.1UF 50V CHIP CAP 10% 0805 X7R	K 2
C52	A11369-330J2	33 PF 50V 5% NPO MLC 0805	B 8
C53	A11369-330J2	33 PF 50V 5% NPO MLC 0805	B 9
C54	A11369-102J2	.001UF 50V 5% NPO MLC 0805 T/R	M 12
C55	103418-103J2	.01UF 5% 100V X7R 0805	E 11
C56	A11369-5R6D2	5.6PF 50V +/- .5PF NPO MLC 0805	F 10

C57	A11369-5R6D2	5.6PF 50V +/- .5PF NPO MLC 0805	F 10
C58	103418-103J2	.01UF 5% 100V X7R 0805	K 3
C59	A11427-104K2	.1UF 50V CHIP CAP 10% 0805 X7R	J 2
C62	103418-103J2	.01UF 5% 100V X7R 0805	K 2
C63	A11427-104K2	.1UF 50V CHIP CAP 10% 0805 X7R	J 2
C64	A11369-221J2	220 PF 50V 5% NPO MLC 0805 T/R	H 10
C65	A11427-104K2	.1UF 50V CHIP CAP 10% 0805 X7R	N 13
C66	A11427-104K2	.1UF 50V CHIP CAP 10% 0805 X7R	J 2
C67	A11427-104K2	.1UF 50V CHIP CAP 10% 0805 X7R	J 2
C68	103418-103J2	.01UF 5% 100V X7R 0805	P 11
C69	103418-103J2	.01UF 5% 100V X7R 0805	O 11
C70	A11427-104K2	.1UF 50V CHIP CAP 10% 0805 X7R	E 7
C71	A11427-104K2	.1UF 50V CHIP CAP 10% 0805 X7R	E 7
C74	133875-1	CAP, 1UF 10% 10V X7R 0805 SMT	F 12
C75	A11427-104K2	.1UF 50V CHIP CAP 10% 0805 X7R	M 12
C100	A11369-470K2	47PF 50V 10% NPO 0805 T/R	J 13
C101	A11369-470K2	47PF 50V 10% NPO 0805 T/R	J 13
C102	A11427-184J5	0.18UF 50V 5% X7R 1206 T/R	K 2
C103	A11369-220J2	22 PF 5% 50V NPO CER CHIP	J 13
C104	A11427-224J5	0.22UF 50V 5% X7R 1206 T/R	L 2
C105	A11427-223K5	0.022UF 50V 10% 1206 T/R	M 1
C106	A11427-223K5	0.022UF 50V 10% 1206 T/R	M 1
C107	C10208-4	100.UF 25V 20% RAD ELECT T/R	K 2
C108	A11369-100J2	CAP, 10PF 5% 50V SMT 0805	J 2
C109	C 9465-3	10UF 50V 20% VERT ELECT T/A	K 13
C110	C10466-8	.22UF 50V 5% MTL FILM RDL T/A	K 13
C111	C10501-2	.022UF 50V 5% POLYESTER T/R	K 13
C112	C10501-2	.022UF 50V 5% POLYESTER T/R	K 13
C113	131788-1	CAP, 0.68UF 50V 5% METAL FILM	K 13
C114	131787-1	CAP, 0.068UF 50V 5% METAL FILM	K 13
C115	131787-1	CAP, 0.068UF 50V 5% METAL FILM	K 13
C116	131788-1	CAP, 0.68UF 50V 5% METAL FILM	L 13
C117	131787-1	CAP, 0.068UF 50V 5% METAL FILM	L 13
C118	131787-1	CAP, 0.068UF 50V 5% METAL FILM	L 13
C119	A11427-104K2	.1UF 50V CHIP CAP 10% 0805 X7R	L 13
C120	A11369-470K2	47PF 50V 10% NPO 0805 T/R	E 1
C121	A11427-104K2	.1UF 50V CHIP CAP 10% 0805 X7R	K 12
C122	103418-103J2	.01UF 5% 100V X7R 0805	K 13
C123	A11369-221J2	220 PF 50V 5% NPO MLC 0805 T/R	J 13
C125	A11369-221J2	220 PF 50V 5% NPO MLC 0805 T/R	J 12
C126	A11369-221J2	220 PF 50V 5% NPO MLC 0805 T/R	K 12
C127	A11369-222J2	CAP, 2200PF 50V NPO 5% 0805	K 12
C130	132637-1	CAP, 27PF 10% 500V NPO 1206	K 11
C131	A11369-470K2	47PF 50V 10% NPO 0805 T/R	K 12
C132	A11369-100J2	CAP, 10PF 5% 50V SMT 0805	K 12
C133	A11369-100J2	CAP, 10PF 5% 50V SMT 0805	K 11
C134	A11369-102J2	.001UF 50V 5% NPO MLC 0805 T/R	N 12
C135	C10208-4	100.UF 25V 20% RAD ELECT T/R	M 12
C136	A11427-104K2	.1UF 50V CHIP CAP 10% 0805 X7R	M 2
C137	C10501-2	.022UF 50V 5% POLYESTER T/R	D 2
C138	A11427-224J5	0.22UF 50V 5% X7R 1206 T/R	D 2
C139	125817-1	22UF 25V 20% NP VERT T/R	D 3
C140	A11369-471J2	CAP, 470PF 5% 50V SMT 0805	P 10
C141	A10434-104JD	.1UF 250V 5% MTL POLY FILM T/A	Q 3
C142	138706-1	CAP, 220PF 5% 500V NPO 1206	O 7
C143	132637-1	CAP, 27PF 10% 500V NPO 1206	P 9
C144	A11369-470K2	47PF 50V 10% NPO 0805 T/R	N 6
C145	132637-1	CAP, 27PF 10% 500V NPO 1206	P 7
C146	132637-1	CAP, 27PF 10% 500V NPO 1206	P 9

C147	138706-1	CAP, 220PF 5% 500V NPO 1206	K 7
C148	A11369-471J2	CAP, 470PF 5% 50V SMT 0805	O 10
C149	A10434-104JD	.1UF 250V 5% MTL POLY FILM T/A	M 3
C150	C10501-2	.022UF 50V 5% POLYESTER T/R	P 2
C151	A11427-224J5	0.22UF 50V 5% X7R 1206 T/R	P 2
C152	125817-1	22UF 25V 20% NP VERT T/R	P 3
C153		OPEN	K 7
C154	C10466-8	.22UF 50V 5% MTL FILM RDL T/A	K 11
C155	A10434-473JD	.047UF 250VDC 5% MET POLY T/A	N 16
C156	A10434-473JD	.047UF 250VDC 5% MET POLY T/A	N 15
C157	A11427-104K2	.1UF 50V CHIP CAP 10% 0805 X7R	J 13
C158	A11427-104K2	.1UF 50V CHIP CAP 10% 0805 X7R	J 13
C159	A11427-104K2	.1UF 50V CHIP CAP 10% 0805 X7R	J 12
C160	A11427-104K2	.1UF 50V CHIP CAP 10% 0805 X7R	K 12
C163	A11427-104K2	.1UF 50V CHIP CAP 10% 0805 X7R	J 2
C164	A11427-104K2	.1UF 50V CHIP CAP 10% 0805 X7R	J 2
C165	A11427-104K2	.1UF 50V CHIP CAP 10% 0805 X7R	J 2
C166	A11427-104K2	.1UF 50V CHIP CAP 10% 0805 X7R	J 2
C167	A11427-104K2	.1UF 50V CHIP CAP 10% 0805 X7R	M 12
C168	A11427-104K2	.1UF 50V CHIP CAP 10% 0805 X7R	N 12
C169	A11427-104K2	.1UF 50V CHIP CAP 10% 0805 X7R	J 13
C170	A11427-104K2	.1UF 50V CHIP CAP 10% 0805 X7R	K 13
C171	A11427-104K2	.1UF 50V CHIP CAP 10% 0805 X7R	M 2
C172	A11427-104K2	.1UF 50V CHIP CAP 10% 0805 X7R	N 2
C173	A11427-104K2	.1UF 50V CHIP CAP 10% 0805 X7R	L 2
C174	A11427-104K2	.1UF 50V CHIP CAP 10% 0805 X7R	M 3
C182	C10208-4	100.UF 25V 20% RAD ELECT T/R	G 3
C183	C 8894-5	1UF 50V VERT 10% NP ELECT T/R	P 11
C184	C 8894-5	1UF 50V VERT 10% NP ELECT T/R	P 11
C185	A11427-224J5	0.22UF 50V 5% X7R 1206 T/R	I 12
C186	A11427-104K2	.1UF 50V CHIP CAP 10% 0805 X7R	F 3
C187	A11427-104K2	.1UF 50V CHIP CAP 10% 0805 X7R	F 3
C190	A11427-104K2	.1UF 50V CHIP CAP 10% 0805 X7R	P 11
C191	A11427-104K2	.1UF 50V CHIP CAP 10% 0805 X7R	P 11
C192	A11369-470K2	47PF 50V 10% NPO 0805 T/R	F 3
C193	A11369-470K2	47PF 50V 10% NPO 0805 T/R	F 3
C194	A10434-104JD	.1UF 250V 5% MTL POLY FILM T/A	B 3
C195	A10434-104JD	.1UF 250V 5% MTL POLY FILM T/A	B 5
C196	A11369-470K2	47PF 50V 10% NPO 0805 T/R	E 1
C197	125817-1	22UF 25V 20% NP VERT T/R	K 10
C198	125817-1	22UF 25V 20% NP VERT T/R	J 10
C200	A11369-470K2	47PF 50V 10% NPO 0805 T/R	H 13
C201	A11369-470K2	47PF 50V 10% NPO 0805 T/R	I 13
C202	A11427-184J5	0.18UF 50V 5% X7R 1206 T/R	J 2
C203	A11369-220J2	22 PF 5% 50V NPO CER CHIP	H 13
C204	A11427-224J5	0.22UF 50V 5% X7R 1206 T/R	H 1
C205	A11427-223K5	0.022UF 50V 10% 1206 T/R	H 2
C206	A11427-223K5	0.022UF 50V 10% 1206 T/R	G 2
C207	C10208-4	100.UF 25V 20% RAD ELECT T/R	K 2
C208	A11369-100J2	CAP, 10PF 5% 50V SMT 0805	J 2
C209	C 9465-3	10UF 50V 20% VERT ELECT T/A	H 13
C210	C10466-8	.22UF 50V 5% MTL FILM RDL T/A	G 13
C211	C10501-2	.022UF 50V 5% POLYESTER T/R	G 13
C212	C10501-2	.022UF 50V 5% POLYESTER T/R	G 13
C213	131788-1	CAP, 0.68UF 50V 5% METAL FILM	G 13
C214	131787-1	CAP, 0.068UF 50V 5% METAL FILM	G 13
C215	131787-1	CAP, 0.068UF 50V 5% METAL FILM	G 13
C216	131788-1	CAP, 0.68UF 50V 5% METAL FILM	G 13
C217	131787-1	CAP, 0.068UF 50V 5% METAL FILM	G 13

C218	131787-1	CAP, 0.068UF 50V 5% METAL FILM	G 13
C219	A11427-104K2	.1UF 50V CHIP CAP 10% 0805 X7R	G 13
C221	A11427-104K2	.1UF 50V CHIP CAP 10% 0805 X7R	G 12
C222	103418-103J2	.01UF 5% 100V X7R 0805	G 12
C223	A11369-221J2	220 PF 50V 5% NPO MLC 0805 T/R	H 13
C225	A11369-221J2	220 PF 50V 5% NPO MLC 0805 T/R	H 12
C226	A11369-221J2	220 PF 50V 5% NPO MLC 0805 T/R	G 12
C227	A11369-222J2	CAP, 2200PF 50V NPO 5% 0805	G 12
C230	132637-1	CAP, 27PF 10% 500V NPO 1206	G 11
C231	A11369-470K2	47PF 50V 10% NPO 0805 T/R	G 12
C232	A11369-100J2	CAP, 10PF 5% 50V SMT 0805	H 12
C233	A11369-100J2	CAP, 10PF 5% 50V SMT 0805	H 11
C234	A11369-102J2	.001UF 50V 5% NPO MLC 0805 T/R	L 12
C235	C10208-4	100.UF 25V 20% RAD ELECT T/R	M 12
C236	A11427-104K2	.1UF 50V CHIP CAP 10% 0805 X7R	H 2
C237	C10501-2	.022UF 50V 5% POLYESTER T/R	E 2
C238	A11427-224J5	0.22UF 50V 5% X7R 1206 T/R	E 2
C239	125817-1	22UF 25V 20% NP VERT T/R	E 3
C240	A11369-471J2	CAP, 470PF 5% 50V SMT 0805	P 8
C241	A10434-104JD	.1UF 250V 5% MTL POLY FILM T/A	I 3
C242	138706-1	CAP, 220PF 5% 500V NPO 1206	G 7
C243	132637-1	CAP, 27PF 10% 500V NPO 1206	O 8
C244	A11369-470K2	47PF 50V 10% NPO 0805 T/R	G 6
C245	132637-1	CAP, 27PF 10% 500V NPO 1206	P 9
C246	132637-1	CAP, 27PF 10% 500V NPO 1206	O 8
C247	138706-1	CAP, 220PF 5% 500V NPO 1206	C 7
C248	A11369-471J2	CAP, 470PF 5% 50V SMT 0805	O 8
C249	A10434-104JD	.1UF 250V 5% MTL POLY FILM T/A	C 3
C250	C10501-2	.022UF 50V 5% POLYESTER T/R	Q 2
C251	A11427-224J5	0.22UF 50V 5% X7R 1206 T/R	Q 2
C252	125817-1	22UF 25V 20% NP VERT T/R	Q 3
C253	A10434-473JD	.047UF 250VDC 5% MET POLY T/A	I 7
C254	C10466-8	.22UF 50V 5% MTL FILM RDL T/A	G 11
C255	A10434-473JD	.047UF 250VDC 5% MET POLY T/A	M 16
C256	A10434-473JD	.047UF 250VDC 5% MET POLY T/A	M 15
C257	A11427-104K2	.1UF 50V CHIP CAP 10% 0805 X7R	H 13
C258	A11427-104K2	.1UF 50V CHIP CAP 10% 0805 X7R	I 13
C259	A11427-104K2	.1UF 50V CHIP CAP 10% 0805 X7R	G 12
C260	A11427-104K2	.1UF 50V CHIP CAP 10% 0805 X7R	H 12
C267	A11427-104K2	.1UF 50V CHIP CAP 10% 0805 X7R	L 12
C268	A11427-104K2	.1UF 50V CHIP CAP 10% 0805 X7R	M 12
C269	A11427-104K2	.1UF 50V CHIP CAP 10% 0805 X7R	G 13
C270	A11427-104K2	.1UF 50V CHIP CAP 10% 0805 X7R	H 13
C271	A11427-104K2	.1UF 50V CHIP CAP 10% 0805 X7R	G 2
C272	A11427-104K2	.1UF 50V CHIP CAP 10% 0805 X7R	H 2
C273	A11427-104K2	.1UF 50V CHIP CAP 10% 0805 X7R	H 2
C274	A11427-104K2	.1UF 50V CHIP CAP 10% 0805 X7R	I 2
C282	C10208-4	100.UF 25V 20% RAD ELECT T/R	F 3
C283	C 8894-5	1UF 50V VERT 10% NP ELECT T/R	O 11
C284	C 8894-5	1UF 50V VERT 10% NP ELECT T/R	O 11
C285	A11427-224J5	0.22UF 50V 5% X7R 1206 T/R	J 11
C290	A11427-104K2	.1UF 50V CHIP CAP 10% 0805 X7R	O 11
C291	A11427-104K2	.1UF 50V CHIP CAP 10% 0805 X7R	O 11
C300	A11427-104K2	.1UF 50V CHIP CAP 10% 0805 X7R	P 9
C301	A11427-104K2	.1UF 50V CHIP CAP 10% 0805 X7R	O 9
C400	A11427-104K2	.1UF 50V CHIP CAP 10% 0805 X7R	P 8
C401	A11427-104K2	.1UF 50V CHIP CAP 10% 0805 X7R	N 8
C801	103418-103J2	.01UF 5% 100V X7R 0805	K 15
C802	103418-103J2	.01UF 5% 100V X7R 0805	I 15

C803	A11369-221J2	220 PF 50V 5% NPO MLC 0805 T/R	K 15
C804	A11369-221J2	220 PF 50V 5% NPO MLC 0805 T/R	I 15
C805	A11369-221J2	220 PF 50V 5% NPO MLC 0805 T/R	J 15
C806	A11369-221J2	220 PF 50V 5% NPO MLC 0805 T/R	H 15
C900	137030-1	CAP, 1UF X2 REDUCED SIZE	B 13
C901	138359-1	PRP, C10325-6 2200PF 250V .125	C 8
C902	138359-1	PRP, C10325-6 2200PF 250V .125	C 8
C903	137030-1	CAP, 1UF X2 REDUCED SIZE	B 7
C904	138359-1	PRP, C10325-6 2200PF 250V .125	B 13
C905	138359-1	PRP, C10325-6 2200PF 250V .125	B 12
C906	130636-103J5	0.01UF 500V 5% X7R 1206 T/R	B 9
C908	134163-1	CAP, 2700UF 20% 200V ELECT	L 8
C909	134163-1	CAP, 2700UF 20% 200V ELECT	M 9
C910	131310-2	CAP, 1200UF 200VDC PC MNT ELECT	J 8
C911	131310-2	CAP, 1200UF 200VDC PC MNT ELECT	J 9
C912	131310-2	CAP, 1200UF 200VDC PC MNT ELECT	K 8
C913	131310-2	CAP, 1200UF 200VDC PC MNT ELECT	K 9
C914	125434-1	CAP, .068UF 400V FILM POLYESTER	J 9
C915	131312-1	0.01UF 400V 5% MET POLY RAD	I 9
C916	C 8576-8	100UF 35V 10% ALUM ELECT T/A	G 7
C917	C 4477-3	470 UF 35V VERT	E 12
C918	C 5362-6	2.2UF 50V VERT ELECT T/A	C 11
C919	C 5362-6	2.2UF 50V VERT ELECT T/A	D 12
C920	A11369-102J2	.001UF 50V 5% NPO MLC 0805 T/R	A 7
C921	A11427-224J5	0.22UF 50V 5% X7R 1206 T/R	E 12
C922	A10432-151KF	150PF 630VDC 10% PROP CAP T/A	I 8
C923	A10432-151KF	150PF 630VDC 10% PROP CAP T/A	H 9
C924	138679-1	PRP, 134115-1 .22UF 630V .125	G 8
C925	A10432-151KF	150PF 630VDC 10% PROP CAP T/A	D 10
C926	A11427-104K2	.1UF 50V CHIP CAP 10% 0805 X7R	F 7
C927	133323-1	CAP, 3800UF 125V ALUM ELECT	B 3
C928	133323-1	CAP, 3800UF 125V ALUM ELECT	B 4
C929	133323-1	CAP, 3800UF 125V ALUM ELECT	Q 11
C930	133323-1	CAP, 3800UF 125V ALUM ELECT	Q 9
C931	133323-1	CAP, 3800UF 125V ALUM ELECT	Q 10
C932	133323-1	CAP, 3800UF 125V ALUM ELECT	Q 8
C933	C 4477-3	470 UF 35V VERT	E 7
C934	C 4477-3	470 UF 35V VERT	E 7
C935	C 4477-3	470 UF 35V VERT	F 7
C936	C 4477-3	470 UF 35V VERT	E 7
C937	C10208-4	100.UF 25V 20% RAD ELECT T/R	Q 7
C938	C10208-4	100.UF 25V 20% RAD ELECT T/R	N 7
C939	C10208-4	100.UF 25V 20% RAD ELECT T/R	F 7
C940	C10208-4	100.UF 25V 20% RAD ELECT T/R	I 7
C941	A11427-104K2	.1UF 50V CHIP CAP 10% 0805 X7R	E 12
C942	A11369-102J2	.001UF 50V 5% NPO MLC 0805 T/R	D 12
C943	A11369-102J2	.001UF 50V 5% NPO MLC 0805 T/R	D 12
C945	138679-1	PRP, 134115-1 .22UF 630V .125	H 8
C946	134382-1	CAP, 0.047UF 5% 400V POLYESTER	I 9
D1	C 9773-0	DIODE, ZENER 5.1V 1N5231 SMT	H 11
D2	C 7478-8	1N4148 MINIMELF CHIP DIODE T/R	N 11
D3	C 7478-8	1N4148 MINIMELF CHIP DIODE T/R	N 11
D4	C 7478-8	1N4148 MINIMELF CHIP DIODE T/R	N 11
D5	C 7478-8	1N4148 MINIMELF CHIP DIODE T/R	C 2
D6	133272-1	DIODE, ZENER 250MW 15V SOT23	B 2
D7	133272-1	DIODE, ZENER 250MW 15V SOT23	B 2
D8	133272-1	DIODE, ZENER 250MW 15V SOT23	O 3
D9	133272-1	DIODE, ZENER 250MW 15V SOT23	O 2
D10	C 7478-8	1N4148 MINIMELF CHIP DIODE T/R	I 9

D11	C 7478-8	1N4148 MINIMELF CHIP DIODE T/R	I 9
D12	C 7478-8	1N4148 MINIMELF CHIP DIODE T/R	G 9
D13	C 7478-8	1N4148 MINIMELF CHIP DIODE T/R	G 9
D14	C 7478-8	1N4148 MINIMELF CHIP DIODE T/R	N 12
D16		OPEN	G 11
D17	C 7478-8	1N4148 MINIMELF CHIP DIODE T/R	F 11
D18	C 7478-8	1N4148 MINIMELF CHIP DIODE T/R	F 12
D19	C 7478-8	1N4148 MINIMELF CHIP DIODE T/R	E 12
D20	C 7478-8	1N4148 MINIMELF CHIP DIODE T/R	F 11
D21	C 7478-8	1N4148 MINIMELF CHIP DIODE T/R	E 11
D22	C 7478-8	1N4148 MINIMELF CHIP DIODE T/R	G 10
D23	C 7478-8	1N4148 MINIMELF CHIP DIODE T/R	G 10
D24	C 7478-8	1N4148 MINIMELF CHIP DIODE T/R	M 11
D25	C 7478-8	1N4148 MINIMELF CHIP DIODE T/R	M 12
D26	C 7478-8	1N4148 MINIMELF CHIP DIODE T/R	G 11
D29	132558-1	DIODE, TL431ACD ADJ SMT REF	G 11
D30	C 7478-8	1N4148 MINIMELF CHIP DIODE T/R	H 10
D31	C 7478-8	1N4148 MINIMELF CHIP DIODE T/R	H 10
D100	C 7478-8	1N4148 MINIMELF CHIP DIODE T/R	K 2
D101	C 7478-8	1N4148 MINIMELF CHIP DIODE T/R	K 2
D102	C 7478-8	1N4148 MINIMELF CHIP DIODE T/R	K 2
D103	C 7478-8	1N4148 MINIMELF CHIP DIODE T/R	K 2
D104	C 7478-8	1N4148 MINIMELF CHIP DIODE T/R	K 2
D105	C 7478-8	1N4148 MINIMELF CHIP DIODE T/R	K 13
D106	C 7478-8	1N4148 MINIMELF CHIP DIODE T/R	L 11
D107	C 7478-8	1N4148 MINIMELF CHIP DIODE T/R	K 11
D108	C 7478-8	1N4148 MINIMELF CHIP DIODE T/R	J 12
D109	C10370-2	DIODE, ZENER 10V MMBZ5240BL	L 2
D110	C 7478-8	1N4148 MINIMELF CHIP DIODE T/R	M 13
D111	C 7478-8	1N4148 MINIMELF CHIP DIODE T/R	M 12
D112	C 7478-8	1N4148 MINIMELF CHIP DIODE T/R	F 2
D113	C 7478-8	1N4148 MINIMELF CHIP DIODE T/R	P 10
D114	C 7478-8	1N4148 MINIMELF CHIP DIODE T/R	P 10
D115	C 7478-8	1N4148 MINIMELF CHIP DIODE T/R	P 10
D116	C 7478-8	1N4148 MINIMELF CHIP DIODE T/R	P 10
D117	C 7478-8	1N4148 MINIMELF CHIP DIODE T/R	P 10
D118	C 7478-8	1N4148 MINIMELF CHIP DIODE T/R	P 9
D119	C 7478-8	1N4148 MINIMELF CHIP DIODE T/R	P 9
D120	133264-1	DIODE, 250V SWITCH MINIMELF	P 10
D121	C 7478-8	1N4148 MINIMELF CHIP DIODE T/R	Q 10
D122	C 7478-8	1N4148 MINIMELF CHIP DIODE T/R	P 9
D123	C 7478-8	1N4148 MINIMELF CHIP DIODE T/R	P 9
D125	C 7478-8	1N4148 MINIMELF CHIP DIODE T/R	P 9
D126	C 7478-8	1N4148 MINIMELF CHIP DIODE T/R	P 7
D127	C 7478-8	1N4148 MINIMELF CHIP DIODE T/R	P 8
D128	C 7478-8	1N4148 MINIMELF CHIP DIODE T/R	P 8
D129	C 7478-8	1N4148 MINIMELF CHIP DIODE T/R	P 8
D130	C 7478-8	1N4148 MINIMELF CHIP DIODE T/R	P 9
D131	C 7478-8	1N4148 MINIMELF CHIP DIODE T/R	O 10
D132	C 7478-8	1N4148 MINIMELF CHIP DIODE T/R	O 9
D133	C 7478-8	1N4148 MINIMELF CHIP DIODE T/R	O 9
D134	C 7478-8	1N4148 MINIMELF CHIP DIODE T/R	O 9
D135	133264-1	DIODE, 250V SWITCH MINIMELF	O 10
D136	C 7478-8	1N4148 MINIMELF CHIP DIODE T/R	O 10
D137	C 7478-8	1N4148 MINIMELF CHIP DIODE T/R	O 10
D138	C 7478-8	1N4148 MINIMELF CHIP DIODE T/R	O 10
D139	C 7478-8	1N4148 MINIMELF CHIP DIODE T/R	O 9
D140	C 7478-8	1N4148 MINIMELF CHIP DIODE T/R	N 2
D141	C10067-4	DIODE, 1A 100V SILICON SMT T/R	L 7

D142	131613-1	DIODE, 50A FAST T/R	Q 7
D143	131613-1	DIODE, 50A FAST T/R	P 7
D147	C 7478-8	1N4148 MINIMELF CHIP DIODE T/R	J 3
D151	C 7478-8	1N4148 MINIMELF CHIP DIODE T/R	L 11
D200	C 7478-8	1N4148 MINIMELF CHIP DIODE T/R	K 2
D201	C 7478-8	1N4148 MINIMELF CHIP DIODE T/R	J 3
D202	C 7478-8	1N4148 MINIMELF CHIP DIODE T/R	K 3
D203	C 7478-8	1N4148 MINIMELF CHIP DIODE T/R	K 3
D204	C 7478-8	1N4148 MINIMELF CHIP DIODE T/R	J 3
D205	C 7478-8	1N4148 MINIMELF CHIP DIODE T/R	G 13
D206	C 7478-8	1N4148 MINIMELF CHIP DIODE T/R	G 11
D207	C 7478-8	1N4148 MINIMELF CHIP DIODE T/R	G 11
D208	C 7478-8	1N4148 MINIMELF CHIP DIODE T/R	H 12
D209	C10370-2	DIODE, ZENER 10V MMBZ5240BL	I 2
D210	C 7478-8	1N4148 MINIMELF CHIP DIODE T/R	M 13
D211	C 7478-8	1N4148 MINIMELF CHIP DIODE T/R	M 12
D212	C 7478-8	1N4148 MINIMELF CHIP DIODE T/R	G 2
D213	C 7478-8	1N4148 MINIMELF CHIP DIODE T/R	O 7
D214	C 7478-8	1N4148 MINIMELF CHIP DIODE T/R	O 7
D215	C 7478-8	1N4148 MINIMELF CHIP DIODE T/R	O 7
D216	C 7478-8	1N4148 MINIMELF CHIP DIODE T/R	O 9
D217	C 7478-8	1N4148 MINIMELF CHIP DIODE T/R	O 9
D218	C 7478-8	1N4148 MINIMELF CHIP DIODE T/R	O 9
D219	C 7478-8	1N4148 MINIMELF CHIP DIODE T/R	P 8
D220	133264-1	DIODE, 250V SWITCH MINIMELF	O 7
D221	C 7478-8	1N4148 MINIMELF CHIP DIODE T/R	O 7
D222	C 7478-8	1N4148 MINIMELF CHIP DIODE T/R	O 8
D223	C 7478-8	1N4148 MINIMELF CHIP DIODE T/R	O 8
D225	C 7478-8	1N4148 MINIMELF CHIP DIODE T/R	O 9
D226	C 7478-8	1N4148 MINIMELF CHIP DIODE T/R	O 8
D227	C 7478-8	1N4148 MINIMELF CHIP DIODE T/R	O 8
D228	C 7478-8	1N4148 MINIMELF CHIP DIODE T/R	N 8
D229	C 7478-8	1N4148 MINIMELF CHIP DIODE T/R	N 7
D230	C 7478-8	1N4148 MINIMELF CHIP DIODE T/R	O 9
D231	C 7478-8	1N4148 MINIMELF CHIP DIODE T/R	N 7
D232	C 7478-8	1N4148 MINIMELF CHIP DIODE T/R	O 8
D233	C 7478-8	1N4148 MINIMELF CHIP DIODE T/R	O 8
D234	C 7478-8	1N4148 MINIMELF CHIP DIODE T/R	O 8
D235	133264-1	DIODE, 250V SWITCH MINIMELF	N 7
D236	C 7478-8	1N4148 MINIMELF CHIP DIODE T/R	O 8
D237	C 7478-8	1N4148 MINIMELF CHIP DIODE T/R	O 8
D238	C 7478-8	1N4148 MINIMELF CHIP DIODE T/R	O 8
D239	C 7478-8	1N4148 MINIMELF CHIP DIODE T/R	O 8
D240	C 7478-8	1N4148 MINIMELF CHIP DIODE T/R	O 2
D241	C10067-4	DIODE, 1A 100V SILICON SMT T/R	D 7
D242	131613-1	DIODE, 50A FAST T/R	I 7
D243	131613-1	DIODE, 50A FAST T/R	C 7
D247	C 7478-8	1N4148 MINIMELF CHIP DIODE T/R	J 3
D251	C 7478-8	1N4148 MINIMELF CHIP DIODE T/R	L 12
D900	C 7478-8	1N4148 MINIMELF CHIP DIODE T/R	D 11
D901	125770-1	RECT, 35A 600V PC MNT BRIDGE	B 9
D901A	133559-1	CLIP, INLINE RECTIFIER	B 9
D901B	133415-3	SHIELD, EMI	B 9
D901C	103415-10605	SCR, #6-32X.312 SEMS TFS CONE	B 7
D902	C 7478-8	1N4148 MINIMELF CHIP DIODE T/R	D 12
D903	C 7478-8	1N4148 MINIMELF CHIP DIODE T/R	C 11
D904	C 7478-8	1N4148 MINIMELF CHIP DIODE T/R	C 12
D905	C 7478-8	1N4148 MINIMELF CHIP DIODE T/R	C 11
D906	C 7478-8	1N4148 MINIMELF CHIP DIODE T/R	C 12

D907	C10370-2	DIODE, ZENER 10V MMBZ5240BL	E 12
D908	C 7478-8	1N4148 MINIMELF CHIP DIODE T/R	D 12
D909	C 7478-8	1N4148 MINIMELF CHIP DIODE T/R	E 10
D910	C 7478-8	1N4148 MINIMELF CHIP DIODE T/R	E 10
D913	C 7478-8	1N4148 MINIMELF CHIP DIODE T/R	E 11
D914	C 7478-8	1N4148 MINIMELF CHIP DIODE T/R	E 11
D915	C 7478-8	1N4148 MINIMELF CHIP DIODE T/R	D 11
D916	C 7478-8	1N4148 MINIMELF CHIP DIODE T/R	D 11
D917	134827-1	DIODE, SCHOTTKY 100V 3A SMC	C 7
D918	134827-1	DIODE, SCHOTTKY 100V 3A SMC	D 7
D919	134827-1	DIODE, SCHOTTKY 100V 3A SMC	D 7
D920	134827-1	DIODE, SCHOTTKY 100V 3A SMC	E 7
D921	125594-1	DIODE, RECTIFIER 400V 1A SMB	Q 7
D922	125594-1	DIODE, RECTIFIER 400V 1A SMB	Q 7
D923	125594-1	DIODE, RECTIFIER 400V 1A SMB	M 7
D924	125594-1	DIODE, RECTIFIER 400V 1A SMB	M 7
D925	125594-1	DIODE, RECTIFIER 400V 1A SMB	E 7
D926	125594-1	DIODE, RECTIFIER 400V 1A SMB	F 7
D927	125594-1	DIODE, RECTIFIER 400V 1A SMB	I 7
D928	125594-1	DIODE, RECTIFIER 400V 1A SMB	J 7
D929	138676-1	PRP, 132039-1 (DSEP29-06A).300	B 6
D930	138676-1	PRP, 132039-1 (DSEP29-06A).300	B 5
D931	138676-1	PRP, 132039-1 (DSEP29-06A).300	B 7
D932	138676-1	PRP, 132039-1 (DSEP29-06A).300	B 6
D933	C 7478-8	1N4148 MINIMELF CHIP DIODE T/R	M 12
E1	136345-1	LED, YELLOW 1206 INNER LENS	C 2
E2	136344-1	LED, BLUE 1206 INNER LENS	C 2
E3	136345-1	LED, YELLOW 1206 INNER LENS	C 2
E100	136342-1	LED, RED 1206 INNER LENS	L 2
E101	136342-1	LED, RED 1206 INNER LENS	L 2
E102	136342-1	LED, RED 1206 INNER LENS	L 2
E103	136343-1	LED, GREEN 1206 INNER LENS	L 2
E104	136343-1	LED, GREEN 1206 INNER LENS	L 2
E105	136343-1	LED, GREEN 1206 INNER LENS	L 2
E106	136343-1	LED, GREEN 1206 INNER LENS	L 3
E200	136342-1	LED, RED 1206 INNER LENS	I 2
E201	136342-1	LED, RED 1206 INNER LENS	I 2
E202	136342-1	LED, RED 1206 INNER LENS	I 2
E203	136343-1	LED, GREEN 1206 INNER LENS	I 2
E204	136343-1	LED, GREEN 1206 INNER LENS	I 2
E205	136343-1	LED, GREEN 1206 INNER LENS	I 2
E206	136343-1	LED, GREEN 1206 INNER LENS	I 3
F1	A10285-54	FUSE, 100MA 250V 5X20 SLO-BLOW	A 12
F1X	134380-1	FUSE CLIP, PC MNT 5MM T/A	A 12
F1XX	134380-1	FUSE CLIP, PC MNT 5MM T/A	A 11
FB1	125846-1	FERRITE BEAD, 600 OHM .5A 0805	K 15
FB2	125846-1	FERRITE BEAD, 600 OHM .5A 0805	I 15
FB3	125846-1	FERRITE BEAD, 600 OHM .5A 0805	J 15
FB4	125846-1	FERRITE BEAD, 600 OHM .5A 0805	H 15
FB903	134836-1	FERRITE, SMT BEAD 50 OHM	D 7
FB904	134836-1	FERRITE, SMT BEAD 50 OHM	D 7
FB909	135081-2	JUMPER, 14 AWG W/BEAD	B 3
FB910	135081-2	JUMPER, 14 AWG W/BEAD	B 5
HS1	132676-2	HS, TO-220 BRIDGE	B 6
HS1A	103415-10605	SCR, #6-32X.312 SEMS TFS CONE	B 6
HS1B	103436-10606	SCR, 6-32X.375 MACH TORX SEMS	B 6
HS1C	103436-10606	SCR, 6-32X.375 MACH TORX SEMS	B 5
HS1D	135003-1	INSULATOR, CER 2.10X0.85X.04	B 6
HS1E	134671-1	CLIP, 4 FINGER STAINLESS	B 6

HS101	132644-4	HS, 3 X TO-3 ALUM EXT	P 4
HS101A	103415-70608	SCREW,6-32 X.5 TORX PNHD SEM	P 4
HS101B	103415-70608	SCREW,6-32 X.5 TORX PNHD SEM	O 6
HS101C	103415-70608	SCREW,6-32 X.5 TORX PNHD SEM	Q 6
HS101D	133930-1	CLIP, TEE BAR	D 6
HS101E	102659-1	NPN, TO-3 MJ21194 PWR	O 5
HS101F	102659-1	NPN, TO-3 MJ21194 PWR	P 5
HS101G	102659-1	NPN, TO-3 MJ21194 PWR	Q 5
HS101H	131029-10604	SCR,#6-32X0.250 THREAD ROLL	N 4
HS101I	131029-10604	SCR,#6-32X0.250 THREAD ROLL	O 5
HS101J	131029-10604	SCR,#6-32X0.250 THREAD ROLL	P 4
HS101K	131029-10604	SCR,#6-32X0.250 THREAD ROLL	Q 5
HS101L	131029-10604	SCR,#6-32X0.250 THREAD ROLL	Q 4
HS101M	131029-10604	SCR,#6-32X0.250 THREAD ROLL	R 5
HS102	132644-4	HS, 3 X TO-3 ALUM EXT	L 4
HS102A	103415-70608	SCREW,6-32 X.5 TORX PNHD SEM	L 4
HS102B	103415-70608	SCREW,6-32 X.5 TORX PNHD SEM	K 6
HS102C	103415-70608	SCREW,6-32 X.5 TORX PNHD SEM	M 6
HS102D	133930-1	CLIP, TEE BAR	H 6
HS102E	102659-1	NPN, TO-3 MJ21194 PWR	K 5
HS102F	102659-1	NPN, TO-3 MJ21194 PWR	L 5
HS102G	102659-1	NPN, TO-3 MJ21194 PWR	M 5
HS102H	131029-10604	SCR,#6-32X0.250 THREAD ROLL	J 4
HS102I	131029-10604	SCR,#6-32X0.250 THREAD ROLL	K 5
HS102J	131029-10604	SCR,#6-32X0.250 THREAD ROLL	L 4
HS102K	131029-10604	SCR,#6-32X0.250 THREAD ROLL	M 5
HS102L	131029-10604	SCR,#6-32X0.250 THREAD ROLL	M 4
HS102M	131029-10604	SCR,#6-32X0.250 THREAD ROLL	N 5
HS201	132644-4	HS, 3 X TO-3 ALUM EXT	H 4
HS201A	103415-70608	SCREW,6-32 X.5 TORX PNHD SEM	H 4
HS201B	103415-70608	SCREW,6-32 X.5 TORX PNHD SEM	H 6
HS201C	103415-70608	SCREW,6-32 X.5 TORX PNHD SEM	I 6
HS201D	133930-1	CLIP, TEE BAR	L 6
HS201E	102659-1	NPN, TO-3 MJ21194 PWR	G 5
HS201F	102659-1	NPN, TO-3 MJ21194 PWR	H 5
HS201G	102659-1	NPN, TO-3 MJ21194 PWR	I 5
HS201H	131029-10604	SCR,#6-32X0.250 THREAD ROLL	G 4
HS201I	131029-10604	SCR,#6-32X0.250 THREAD ROLL	H 5
HS201J	131029-10604	SCR,#6-32X0.250 THREAD ROLL	H 4
HS201K	131029-10604	SCR,#6-32X0.250 THREAD ROLL	I 5
HS201L	131029-10604	SCR,#6-32X0.250 THREAD ROLL	I 4
HS201M	131029-10604	SCR,#6-32X0.250 THREAD ROLL	J 5
HS202	132644-4	HS, 3 X TO-3 ALUM EXT	D 4
HS202A	103415-70608	SCREW,6-32 X.5 TORX PNHD SEM	D 4
HS202B	103415-70608	SCREW,6-32 X.5 TORX PNHD SEM	D 6
HS202C	103415-70608	SCREW,6-32 X.5 TORX PNHD SEM	E 6
HS202D	133930-1	CLIP, TEE BAR	P 6
HS202E	102659-1	NPN, TO-3 MJ21194 PWR	C 5
HS202F	102659-1	NPN, TO-3 MJ21194 PWR	D 5
HS202G	102659-1	NPN, TO-3 MJ21194 PWR	E 5
HS202H	131029-10604	SCR,#6-32X0.250 THREAD ROLL	C 4
HS202I	131029-10604	SCR,#6-32X0.250 THREAD ROLL	D 5
HS202J	131029-10604	SCR,#6-32X0.250 THREAD ROLL	D 4
HS202K	131029-10604	SCR,#6-32X0.250 THREAD ROLL	E 5
HS202L	131029-10604	SCR,#6-32X0.250 THREAD ROLL	E 4
HS202M	131029-10604	SCR,#6-32X0.250 THREAD ROLL	F 5
HW1	101016-1	LBL, BARCODE	Q 12
HW2	133379-1	BRACKET, BARRIER STRIP	M 15
HW3	A10019-16	6 X 32 PCB CAPTIVE NUT	B 6

HW4	A10019-16	6 X 32 PCB CAPTIVE NUT	B 7
HW5	132565-2	SILPAD, 1.0 X 15.2 W/ADHESIVE	P 6
HW6	101016-1	LBL, BARCODE	O 11
HW7	135894-1	TAPE, .06X1X.75" W/ADHESIVE	B 10
HW8	135894-1	TAPE, .06X1X.75" W/ADHESIVE	B 9
HW10	A10110-70808	8-32 X .5 PNHD PH TAPTITE BLK	L 15
HW11	A10110-70808	8-32 X .5 PNHD PH TAPTITE BLK	N 15
HW12	135520-2	TAPE, 3/8" ROUND KAPTON 2MIL	D 5
HW13	135520-2	TAPE, 3/8" ROUND KAPTON 2MIL	H 5
HW14	135520-2	TAPE, 3/8" ROUND KAPTON 2MIL	L 5
HW15	135520-2	TAPE, 3/8" ROUND KAPTON 2MIL	P 5
HW16	C 8812-7	TIE, CABLE 5.5" OR MORE 18 LB	I 3
HW17	C 8812-7	TIE, CABLE 5.5" OR MORE 18 LB	M 3
HW18	C 8812-7	TIE, CABLE 5.5" OR MORE 18 LB	O 2
HW19	C 8812-7	TIE, CABLE 5.5" OR MORE 18 LB	R 2
J1	134126-1	BB, 4P PC MNT 8-32 W/MNT ENDS	M 15
J2	132551-1	RECEPT, 8PIN VERT .1 CTRS SMD	O 1
J2A	139941-1	CBL, 20PIN 9" MOLDED PICOFLEX	I 12
J2B	139940-1	CBL, 18PIN 9" MOLDED PICOFLEX	I 11
J3	132551-1	RECEPT, 8PIN VERT .1 CTRS SMD	F 1
J900	101571-1	HDR, 2 POS .1 CTR MTA SHRD	K 10
J901	101571-1	HDR, 2 POS .1 CTR MTA SHRD	N 13
K900	C10335-5	RELAY 30A 24V T90 SEALED CE	C 11
L100	102470-1	INDUCTOR, 2.75UH 11A RADIAL	N 3
L200	102470-1	INDUCTOR, 2.75UH 11A RADIAL	H 3
L900	134514-1	CHOKE, COMMON MODE 1.5MH 11A	B 12
L901	132045-1	CHOKE, COMMON MODE	B 9
L902	127988-1	CHOKE,10UH <0.1OHM SMT .3" DIA	G 7
L903	132046-2	INDUCTOR, 1.65UH	F 9
L904	127988-1	CHOKE,10UH <0.1OHM SMT .3" DIA	F 7
L905	127988-1	CHOKE,10UH <0.1OHM SMT .3" DIA	J 7
P2A	C10570-7	20 PIN HDR PICOFLEX TIN	I 15
PWB1	138530-3	PWB, CTS600/1200	A 1
Q1	C 7448-1	MMBT3904 CHIP NPN	N 12
Q2	138674-1	PRP, 133282-1/C9918-1 (TIP32C)	N 12
Q3	125798-1	XSTR,MMBT3906 LT3 10K REEL	C 2
Q4	125798-1	XSTR,MMBT3906 LT3 10K REEL	C 2
Q5	C 3810-6	MPSA42 300V NPN T/R	C 3
Q6	C 3954-2	MPSA56 80V PNP T/R	A 2
Q7	C 3954-2	MPSA56 80V PNP T/R	A 2
Q8	C 3954-2	MPSA56 80V PNP T/R	B 2
Q9	501972-1	MPSA92 300V PNP T/A	O 2
Q10	C 3528-4	MPSA06 80V NPN T/R	O 2
Q11	C 3528-4	MPSA06 80V NPN T/R	O 2
Q12	C 3528-4	MPSA06 80V NPN T/R	O 3
Q17	125798-1	XSTR,MMBT3906 LT3 10K REEL	F 10
Q18	125798-1	XSTR,MMBT3906 LT3 10K REEL	F 10
Q19	C10421-3	FET, 60V N-CH 2N7002LT1 SOT-23	F 10
Q20	C10421-3	FET, 60V N-CH 2N7002LT1 SOT-23	F 11
Q25	501972-1	MPSA92 300V PNP T/A	N 11
Q26	C 8104-9	MPSW92 300V 1 WATT PNP T/R	P 10
Q27	C 8104-9	MPSW92 300V 1 WATT PNP T/R	P 10
Q28	C 8103-1	MPSW42 300V 1 WATT NPN T/R	O 10
Q29	C 8103-1	MPSW42 300V 1 WATT NPN T/R	O 10
Q30	C 8104-9	MPSW92 300V 1 WATT PNP T/R	P 8
Q31	C 8104-9	MPSW92 300V 1 WATT PNP T/R	P 8
Q32	C 8103-1	MPSW42 300V 1 WATT NPN T/R	O 8
Q33	C 8103-1	MPSW42 300V 1 WATT NPN T/R	O 8
Q34	C 3954-2	MPSA56 80V PNP T/R	A 2

Q35	C 3528-4	MPSA06 80V NPN T/R	N 2
Q36	134833-1	FET, N-CH JFET 30V SOT-23	L 12
Q39	134833-1	FET, N-CH JFET 30V SOT-23	G 12
Q100	C 7448-1	MMBT3904 CHIP NPN	K 2
Q101	125798-1	XSTR,MMBT3906 LT3 10K REEL	L 2
Q102	125798-1	XSTR,MMBT3906 LT3 10K REEL	L 2
Q103	125798-1	XSTR,MMBT3906 LT3 10K REEL	L 2
Q104	125798-1	XSTR,MMBT3906 LT3 10K REEL	L 2
Q105	125798-1	XSTR,MMBT3906 LT3 10K REEL	L 2
Q106	C 7448-1	MMBT3904 CHIP NPN	K 12
Q107	125798-1	XSTR,MMBT3906 LT3 10K REEL	K 12
Q108	125798-1	XSTR,MMBT3906 LT3 10K REEL	F 2
Q109	125798-1	XSTR,MMBT3906 LT3 10K REEL	F 2
Q110	125798-1	XSTR,MMBT3906 LT3 10K REEL	F 2
Q111	C 8104-9	MPSW92 300V 1 WATT PNP T/R	P 10
Q112	C 3810-6	MPSA42 300V NPN T/R	P 9
Q113	501972-1	MPSA92 300V PNP T/A	O 9
Q115	136169-1	FORMED, 136167-1 (15032)	O 6
Q116	C 7448-1	MMBT3904 CHIP NPN	N 6
Q117	136170-1	FORMED, 136168-1	K 6
Q119	C 8103-1	MPSW42 300V 1 WATT NPN T/R	O 10
Q120	125798-1	XSTR,MMBT3906 LT3 10K REEL	N 2
Q200	C 7448-1	MMBT3904 CHIP NPN	K 2
Q201	125798-1	XSTR,MMBT3906 LT3 10K REEL	I 2
Q202	125798-1	XSTR,MMBT3906 LT3 10K REEL	I 2
Q203	125798-1	XSTR,MMBT3906 LT3 10K REEL	I 2
Q204	125798-1	XSTR,MMBT3906 LT3 10K REEL	I 2
Q205	125798-1	XSTR,MMBT3906 LT3 10K REEL	I 2
Q206	C 7448-1	MMBT3904 CHIP NPN	G 12
Q207	125798-1	XSTR,MMBT3906 LT3 10K REEL	G 12
Q208	125798-1	XSTR,MMBT3906 LT3 10K REEL	G 2
Q209	125798-1	XSTR,MMBT3906 LT3 10K REEL	G 2
Q210	125798-1	XSTR,MMBT3906 LT3 10K REEL	G 2
Q211	C 8104-9	MPSW92 300V 1 WATT PNP T/R	P 8
Q212	C 3810-6	MPSA42 300V NPN T/R	O 8
Q213	501972-1	MPSA92 300V PNP T/A	O 8
Q215	136169-1	FORMED, 136167-1 (15032)	G 6
Q216	C 7448-1	MMBT3904 CHIP NPN	G 6
Q218	136170-1	FORMED, 136168-1	C 6
Q219	C 8103-1	MPSW42 300V 1 WATT NPN T/R	O 8
Q220	125798-1	XSTR,MMBT3906 LT3 10K REEL	O 2
Q500	501972-1	MPSA92 300V PNP T/A	G 3
Q600	501972-1	MPSA92 300V PNP T/A	F 3
Q605	125798-1	XSTR,MMBT3906 LT3 10K REEL	N 12
Q900	131047-1	TRANSISTOR, KSA1298 PNP SOT-23	D 11
Q901	C 7448-1	MMBT3904 CHIP NPN	E 11
Q902	C 7448-1	MMBT3904 CHIP NPN	D 12
Q903	C 7448-1	MMBT3904 CHIP NPN	D 11
Q904	C 7448-1	MMBT3904 CHIP NPN	D 11
Q905	137218-1	SCR, 12A MCR12DSN DPAK 369A	A 7
Q906	C 7448-1	MMBT3904 CHIP NPN	D 11
Q907	C 7448-1	MMBT3904 CHIP NPN	D 11
Q908	C 3810-6	MPSA42 300V NPN T/R	B 7
Q909	C 7448-1	MMBT3904 CHIP NPN	E 12
Q910	125798-1	XSTR,MMBT3906 LT3 10K REEL	E 11
Q911	138677-1	PRP, 137921-1 (20N60A4D) .350	H 8
Q911A	134233-2	HEATSINK, DUAL TO-247 CHIEF	G 9
Q911B	134234-2	CLIP, 2 FINGER STAINLESS	H 9
Q911C	103415-10605	SCR, #6-32X.312 SEMS TFS CONE	H 9

Q911D	103415-10605	SCR, #6-32X.312 SEMS TFS CONE	H 8
Q911E	D 8958-7	INS, CERAMIC .90 X .75 X .040	H 9
Q911F	134882-1	FOAM, 0.4X 0.25 W/ADHESIVE	G 9
Q912	138677-1	PRP, 137921-1 (20N60A4D) .350	G 9
Q912A	134233-2	HEATSINK, DUAL TO-247 CHIEF	I 9
Q912B	134234-2	CLIP, 2 FINGER STAINLESS	G 9
Q912C	103415-10605	SCR, #6-32X.312 SEMS TFS CONE	G 9
Q912D	103415-10605	SCR, #6-32X.312 SEMS TFS CONE	G 8
Q912E	D 8958-7	INS, CERAMIC .90 X .75 X .040	G 9
R1	A11368-20011	2.0K, 0.10W 1% MF 0805	H 11
R2	A11368-10041	1M OHM .1W 1% CHIP 0805	H 11
R3	A11368-10041	1M OHM .1W 1% CHIP 0805	H 11
R4	A11368-10041	1M OHM .1W 1% CHIP 0805	H 11
R5	A11368-10021	10K 1/10W 1% SMD 0805 T/R	N 11
R6	A11368-49911	4.99K 1/10W 1% SMD 0805 T/R	N 11
R7	A11368-49911	4.99K 1/10W 1% SMD 0805 T/R	N 12
R9	132556-1	RES, 0.68 OHM 5% 2W RADIAL	N 12
R10	A11368-78711	7.87K OHM 0.10W 1% 0805 T/R	B 2
R11	A11368-10021	10K 1/10W 1% SMD 0805 T/R	B 2
R12	A11368-18721	18.7KOHM 0.10W 1% SMT 0805	B 2
R13	A11368-10031	100.KOHM .1W 1% CHIP 0805	B 2
R14	A11368-39231	392 KOHM .1W 1% 0805 T/R	C 2
R15	A11368-20021	20.KOHM .1W 1% CHIP 0805	C 1
R16	A11368-10031	100.KOHM .1W 1% CHIP 0805	C 2
R17	A11368-10021	10K 1/10W 1% SMD 0805 T/R	C 1
R18	A11368-49921	49.9KOHM .1W 1% CHIP 0805	C 2
R19	A11371-5614	560 OHM .5W 5% 2010 SMD	C 2
R20	A11368-10011	1.KOHM .1W 1% CHIP 0805	C 2
R21	A11371-0R02	0. OHM .125W 5% CHIP RES T/R	I 11
R22	A11371-1105	11 OHM 1W 5% 2512 T/R	I 11
R23	A11368-14021	14KOHM .1W 1% 0805 T/R	N 12
R24	A11368-10011	1.KOHM .1W 1% CHIP 0805	N 12
R25	A11368-30121	30.1K, 0.10W 1% MF 0805	C 2
R26	A11368-20011	2.0K, 0.10W 1% MF 0805	N 12
R27	A11368-10031	100.KOHM .1W 1% CHIP 0805	N 12
R28	A11368-10021	10K 1/10W 1% SMD 0805 T/R	N 12
R30	A11368-40212	4.02KOHM .125W 1% CHIP RES T/R	B 2
R31	A11368-40212	4.02KOHM .125W 1% CHIP RES T/R	B 2
R32	A11368-40212	4.02KOHM .125W 1% CHIP RES T/R	B 2
R33	A11368-10021	10K 1/10W 1% SMD 0805 T/R	C 2
R34	A11368-40212	4.02KOHM .125W 1% CHIP RES T/R	N 2
R35	A11368-40212	4.02KOHM .125W 1% CHIP RES T/R	O 2
R36	A11368-40212	4.02KOHM .125W 1% CHIP RES T/R	O 2
R37	A11368-10021	10K 1/10W 1% SMD 0805 T/R	O 2
R39	A11368-10012	1. KOHM .125W 1% CHIP RES T/R	I 9
R40	A11368-10012	1. KOHM .125W 1% CHIP RES T/R	G 9
R43	A11371-5R63	5.6 OHM .25W 5% 1210 T/R	H 9
R44	A11371-5R63	5.6 OHM .25W 5% 1210 T/R	G 9
R45	A11368-49901	499 OHM .1W 1% 0805 T/R	E 10
R46	A11368-23201	232OHM .1W 1% 0805 T/R	E 10
R47	A11368-23201	232OHM .1W 1% 0805 T/R	E 10
R48	A11368-15031	150K 1/10W 1% SMD 0805 T/R	F 10
R49	A11368-15031	150K 1/10W 1% SMD 0805 T/R	F 10
R50	A11368-15021	15.0K, 0.10W 1% MF 0805	F 10
R51	A11368-49901	499 OHM .1W 1% 0805 T/R	E 10
R52	A11368-10011	1.KOHM .1W 1% CHIP 0805	F 10
R53	A11368-36531	RES, 365 KOHM 1% .1W 0805	F 11
R54	A11368-68121	68.1KOHM 0.1W 1% CHIP 0805	F 11
R55	A11368-10021	10K 1/10W 1% SMD 0805 T/R	F 11

R56	A11368-36531	RES, 365 KOHM 1% .1W 0805	F 10
R57	A11368-68121	68.1KOHM 0.1W 1% CHIP 0805	F 10
R58	A11368-10021	10K 1/10W 1% SMD 0805 T/R	F 11
R59	A11368-10R01	10 OHM .1W 1% 0805 T/R	F 11
R60	A11368-10021	10K 1/10W 1% SMD 0805 T/R	F 11
R61	A11368-75011	7.50K .10W 1% CHIP 0805	E 11
R62	A11368-10021	10K 1/10W 1% SMD 0805 T/R	F 10
R63	A11368-10021	10K 1/10W 1% SMD 0805 T/R	F 11
R64	A11368-10021	10K 1/10W 1% SMD 0805 T/R	E 11
R65	A11368-10021	10K 1/10W 1% SMD 0805 T/R	E 11
R66	A11368-49921	49.9KOHM .1W 1% CHIP 0805	F 10
R67	A11368-68121	68.1KOHM 0.1W 1% CHIP 0805	F 10
R70	A11368-1R004	1 OHM 0.5W 1% 2010 T/R	H 10
R72	A11368-10021	10K 1/10W 1% SMD 0805 T/R	F 10
R73	A11368-76811	7.68KOHM 0.10W 1% SMT 0805	F 10
R74	A11368-39221	39.2KOHM .1W 1% 0805 T/R	F 10
R75	A11368-49921	49.9KOHM .1W 1% CHIP 0805	F 10
R76	A11368-26721	26.7KOHM .1W 1% 0805 T/R	G 10
R77	A11368-20031	200K 0.1W 1% SMD CHIP 0805	G 11
R79	A11368-10021	10K 1/10W 1% SMD 0805 T/R	G 10
R80	A11368-10021	10K 1/10W 1% SMD 0805 T/R	G 10
R82	A11368-49921	49.9KOHM .1W 1% CHIP 0805	G 10
R83	A11368-10021	10K 1/10W 1% SMD 0805 T/R	M 12
R84	A11368-20021	20.KOHM .1W 1% CHIP 0805	M 12
R85	A11368-49931	499KOHM .1W 1% 0805 T/R	M 12
R86	A11368-49931	499KOHM .1W 1% 0805 T/R	M 12
R87	A11368-49911	4.99K 1/10W 1% SMD 0805 T/R	E 11
R88	A11368-23721	23.7K .10W 1% CHIP 0805	E 11
R89	A11368-30121	30.1K, 0.10W 1% MF 0805	E 12
R90	A11368-10011	1.KOHM .1W 1% CHIP 0805	I 14
R91	A11368-49921	49.9KOHM .1W 1% CHIP 0805	I 13
R92	A11368-10021	10K 1/10W 1% SMD 0805 T/R	I 14
R93	A11368-10031	100.KOHM .1W 1% CHIP 0805	M 11
R94	A11368-49911	4.99K 1/10W 1% SMD 0805 T/R	M 12
R95	A11368-10021	10K 1/10W 1% SMD 0805 T/R	M 12
R96	A11368-20021	20.KOHM .1W 1% CHIP 0805	M 11
R97	A11368-40212	4.02KOHM .125W 1% CHIP RES T/R	M 12
R98	A11368-10021	10K 1/10W 1% SMD 0805 T/R	M 1
R99	A11368-20021	20.KOHM .1W 1% CHIP 0805	M 2
R100	A11368-40212	4.02KOHM .125W 1% CHIP RES T/R	I 13
R101	A11368-40212	4.02KOHM .125W 1% CHIP RES T/R	I 13
R102	A11368-10011	1.KOHM .1W 1% CHIP 0805	J 13
R103	A11368-10011	1.KOHM .1W 1% CHIP 0805	J 13
R104	A11368-49911	4.99K 1/10W 1% SMD 0805 T/R	J 13
R105	A11368-49911	4.99K 1/10W 1% SMD 0805 T/R	J 13
R106	A11368-49911	4.99K 1/10W 1% SMD 0805 T/R	J 12
R107	A11368-24911	2.49K 1/10W 1% SMD 0805 T/R	I 12
R108	A11368-10041	1M OHM .1W 1% CHIP 0805	K 2
R109	A11368-10041	1M OHM .1W 1% CHIP 0805	K 13
R110	A11368-49921	49.9KOHM .1W 1% CHIP 0805	J 12
R111	A11368-20031	200K 0.1W 1% SMD CHIP 0805	K 12
R112	A11368-49921	49.9KOHM .1W 1% CHIP 0805	K 12
R113	A11368-24921	24.9K 1/10W 1% SMD 0805 T/R	K 2
R114	A11371-1105	11 OHM 1W 5% 2512 T/R	N 3
R115	A11368-61901	619.OHM 1/10W 1% SMD 0805 T/R	K 2
R116	A11368-14721	14.7 KOHM .1W 1% 0805	J 13
R117	A11368-22121	22.1K 0.10W 1% CHIP 0805	J 13
R118	A11368-14721	14.7 KOHM .1W 1% 0805	J 13
R119	130657-2	POT, 5K LINEAR HORIZ ws	J 12

R120	A11368-22121	22.1K 0.10W 1% CHIP 0805	J 13
R121	A11368-49911	4.99K 1/10W 1% SMD 0805 T/R	J 14
R122	A11368-49911	4.99K 1/10W 1% SMD 0805 T/R	J 13
R123	A11368-11021	11K 0.1W 1% 0805 T/R	M 2
R124	A11368-10031	100.KOHM .1W 1% CHIP 0805	L 2
R125	A11368-42201	422 OHM 0.1W 1% 0805 T/R	L 2
R126	A11368-20021	20.KOHM .1W 1% CHIP 0805	L 2
R127	A11371-5614	560 OHM .5W 5% 2010 SMD	L 1
R128	A11368-10021	10K 1/10W 1% SMD 0805 T/R	K 13
R129	A11368-10031	100.KOHM .1W 1% CHIP 0805	J 12
R130	A11368-20011	2.0K, 0.10W 1% MF 0805	J 12
R131	A11368-10031	100.KOHM .1W 1% CHIP 0805	K 12
R132	A11368-20011	2.0K, 0.10W 1% MF 0805	K 12
R133	A11368-49922	49.9KOHM .125W 1% CHIP RES T/R	N 2
R134	A11368-49922	49.9KOHM .125W 1% CHIP RES T/R	N 2
R135	A11368-42221	42.2KOHM .10W 1% MF 0805	N 1
R136	A11368-23721	23.7K .10W 1% CHIP 0805	N 1
R137	A11368-10041	1M OHM .1W 1% CHIP 0805	M 2
R138	A11368-10041	1M OHM .1W 1% CHIP 0805	M 1
R139	A11368-39231	392 KOHM .1W 1% 0805 T/R	M 2
R140	A11368-39231	392 KOHM .1W 1% 0805 T/R	M 2
R141	A11368-20021	20.KOHM .1W 1% CHIP 0805	L 2
R142	A11368-20021	20.KOHM .1W 1% CHIP 0805	L 2
R143	A11368-20031	200K 0.1W 1% SMD CHIP 0805	K 2
R144	A11368-20031	200K 0.1W 1% SMD CHIP 0805	K 2
R145	A11368-20031	200K 0.1W 1% SMD CHIP 0805	K 2
R146	A11368-44221	44.2K 0.1W 1% 0805 T/R	M 2
R147	A11368-10041	1M OHM .1W 1% CHIP 0805	M 2
R148	A11368-20021	20.KOHM .1W 1% CHIP 0805	L 2
R149	A11368-49921	49.9KOHM .1W 1% CHIP 0805	N 6
R150	A11368-49921	49.9KOHM .1W 1% CHIP 0805	N 6
R152	A11368-20031	200K 0.1W 1% SMD CHIP 0805	M 2
R153	A11368-20021	20.KOHM .1W 1% CHIP 0805	L 2
R154	A11368-10031	100.KOHM .1W 1% CHIP 0805	J 2
R155	A11368-10031	100.KOHM .1W 1% CHIP 0805	J 2
R156	A11368-47504	475 OHM .5W 1% 2010 T/R	L 2
R157	A11368-49931	499KOHM .1W 1% 0805 T/R	J 2
R158	A11368-24921	24.9K 1/10W 1% SMD 0805 T/R	J 2
R159	A11368-75021	75K 1/10W 1% SMD 0805 T/R	J 2
R160	A11368-44221	44.2K 0.1W 1% 0805 T/R	J 2
R161	A11368-75021	75K 1/10W 1% SMD 0805 T/R	K 13
R162	A11368-10021	10K 1/10W 1% SMD 0805 T/R	L 13
R163	A11368-10041	1M OHM .1W 1% CHIP 0805	K 13
R164	A11368-49931	499KOHM .1W 1% 0805 T/R	L 13
R165	A11368-49931	499KOHM .1W 1% 0805 T/R	L 11
R166	A11368-14021	14KOHM .1W 1% 0805 T/R	M 2
R167	A11368-10011	1.KOHM .1W 1% CHIP 0805	M 2
R168	A11368-35721	35.7 KOHM 0.1W 1% 0805 T/R	L 13
R169	A11368-10031	100.KOHM .1W 1% CHIP 0805	L 12
R170	A11368-10021	10K 1/10W 1% SMD 0805 T/R	K 12
R171	A11368-10031	100.KOHM .1W 1% CHIP 0805	G 12
R172	A11368-18231	182 KOHM 1% 0.10W 0805	J 13
R173	A11368-24911	2.49K 1/10W 1% SMD 0805 T/R	J 14
R174	A11368-10021	10K 1/10W 1% SMD 0805 T/R	J 14
R175	A11368-10021	10K 1/10W 1% SMD 0805 T/R	J 13
R176	A11368-24911	2.49K 1/10W 1% SMD 0805 T/R	K 12
R177	A11368-12421	12.4K 1/10W 1% SMD 0805 T/R	K 12
R178	A11368-24911	2.49K 1/10W 1% SMD 0805 T/R	K 12
R183	A11368-24924	24.9KOHM .5W 1% 2010 T/R	K 11

R184	A11368-24924	24.9KOHM .5W 1% 2010 T/R	K 11
R185	A11368-24911	2.49K 1/10W 1% SMD 0805 T/R	K 12
R186	A11368-20011	2.0K, 0.10W 1% MF 0805	K 12
R187	A11368-10021	10K 1/10W 1% SMD 0805 T/R	K 11
R188	A11368-10011	1.KOHM .1W 1% CHIP 0805	K 12
R189	A11368-10011	1.KOHM .1W 1% CHIP 0805	K 12
R190	A11368-10021	10K 1/10W 1% SMD 0805 T/R	K 11
R191	A11368-10011	1.KOHM .1W 1% CHIP 0805	K 12
R192	A11368-10011	1.KOHM .1W 1% CHIP 0805	K 12
R193	A11368-10021	10K 1/10W 1% SMD 0805 T/R	K 12
R194	A11368-10021	10K 1/10W 1% SMD 0805 T/R	J 12
R195	A11368-10021	10K 1/10W 1% SMD 0805 T/R	K 12
R196	A11368-10021	10K 1/10W 1% SMD 0805 T/R	K 11
R197	A11368-26721	26.7KOHM .1W 1% 0805 T/R	J 12
R198	A11368-10021	10K 1/10W 1% SMD 0805 T/R	J 12
R199	A11368-49911	4.99K 1/10W 1% SMD 0805 T/R	J 12
R200	A11368-40212	4.02KOHM .125W 1% CHIP RES T/R	I 13
R201	A11368-40212	4.02KOHM .125W 1% CHIP RES T/R	I 13
R202	A11368-10011	1.KOHM .1W 1% CHIP 0805	I 13
R203	A11368-10011	1.KOHM .1W 1% CHIP 0805	I 13
R204	A11368-49911	4.99K 1/10W 1% SMD 0805 T/R	H 13
R205	A11368-49911	4.99K 1/10W 1% SMD 0805 T/R	I 13
R206	A11368-49911	4.99K 1/10W 1% SMD 0805 T/R	H 12
R207	A11368-24911	2.49K 1/10W 1% SMD 0805 T/R	I 12
R208	A11368-10041	1M OHM .1W 1% CHIP 0805	J 2
R209	A11368-10041	1M OHM .1W 1% CHIP 0805	G 13
R210	A11368-49921	49.9KOHM .1W 1% CHIP 0805	G 12
R211	A11368-20031	200K 0.1W 1% SMD CHIP 0805	H 12
R212	A11368-49921	49.9KOHM .1W 1% CHIP 0805	H 12
R213	A11368-24921	24.9K 1/10W 1% SMD 0805 T/R	K 2
R214	A11371-1105	11 OHM 1W 5% 2512 T/R	H 3
R215	A11368-61901	619.OHM 1/10W 1% SMD 0805 T/R	J 2
R216	A11368-14721	14.7 KOHM .1W 1% 0805	H 13
R217	A11368-22121	22.1K 0.10W 1% CHIP 0805	H 13
R218	A11368-14721	14.7 KOHM .1W 1% 0805	H 13
R219	130657-2	POT, 5K LINEAR HORIZ ws	H 12
R220	A11368-22121	22.1K 0.10W 1% CHIP 0805	H 13
R221	132556-1	RES, 0.68 OHM 5% 2W RADIAL	O 12
R222	A11368-15021	15.0K, 0.10W 1% MF 0805	F 11
R223	A11368-11021	11K 0.1W 1% 0805 T/R	I 1
R224	A11368-10031	100.KOHM .1W 1% CHIP 0805	I 2
R225	A11368-42201	422 OHM 0.1W 1% 0805 T/R	I 2
R226	A11368-20021	20.KOHM .1W 1% CHIP 0805	I 2
R227	A11371-5614	560 OHM .5W 5% 2010 SMD	I 2
R228	A11368-10021	10K 1/10W 1% SMD 0805 T/R	H 13
R229	A11368-10031	100.KOHM .1W 1% CHIP 0805	G 12
R230	A11368-20011	2.0K, 0.10W 1% MF 0805	G 12
R231	A11368-10031	100.KOHM .1W 1% CHIP 0805	H 12
R232	A11368-20011	2.0K, 0.10W 1% MF 0805	H 12
R233	A11368-49922	49.9KOHM .125W 1% CHIP RES T/R	G 2
R234	A11368-49922	49.9KOHM .125W 1% CHIP RES T/R	G 1
R235	A11368-42221	42.2KOHM .10W 1% MF 0805	G 1
R236	A11368-23721	23.7K .10W 1% CHIP 0805	H 1
R237	A11368-10041	1M OHM .1W 1% CHIP 0805	H 2
R238	A11368-10041	1M OHM .1W 1% CHIP 0805	G 2
R239	A11368-39231	392 KOHM .1W 1% 0805 T/R	H 2
R240	A11368-39231	392 KOHM .1W 1% 0805 T/R	G 2
R241	A11368-20021	20.KOHM .1W 1% CHIP 0805	I 2
R242	A11368-20021	20.KOHM .1W 1% CHIP 0805	I 2

R243	A11368-20031	200K 0.1W 1% SMD CHIP 0805	K 2
R244	A11368-20031	200K 0.1W 1% SMD CHIP 0805	K 2
R245	A11368-20031	200K 0.1W 1% SMD CHIP 0805	J 2
R246	A11368-44221	44.2K 0.1W 1% 0805 T/R	H 2
R247	A11368-10041	1M OHM .1W 1% CHIP 0805	H 2
R248	A11368-20021	20.KOHM .1W 1% CHIP 0805	I 2
R249	A11368-49921	49.9KOHM .1W 1% CHIP 0805	G 6
R250	A11368-49921	49.9KOHM .1W 1% CHIP 0805	G 6
R252	A11368-20031	200K 0.1W 1% SMD CHIP 0805	H 2
R253	A11368-20021	20.KOHM .1W 1% CHIP 0805	I 2
R254	A11368-10031	100.KOHM .1W 1% CHIP 0805	J 2
R255	A11368-10031	100.KOHM .1W 1% CHIP 0805	J 2
R256	A11368-47504	475 OHM .5W 1% 2010 T/R	I 1
R257	A11368-49931	499KOHM .1W 1% 0805 T/R	J 2
R258	A11368-24921	24.9K 1/10W 1% SMD 0805 T/R	J 2
R259	A11368-75021	75K 1/10W 1% SMD 0805 T/R	J 2
R260	A11368-44221	44.2K 0.1W 1% 0805 T/R	J 2
R261	A11368-75021	75K 1/10W 1% SMD 0805 T/R	G 13
R262	A11368-10021	10K 1/10W 1% SMD 0805 T/R	G 13
R263	A11368-10041	1M OHM .1W 1% CHIP 0805	F 13
R264	A11368-49931	499KOHM .1W 1% 0805 T/R	F 13
R265	A11368-49931	499KOHM .1W 1% 0805 T/R	G 11
R266	A11368-14021	14KOHM .1W 1% 0805 T/R	H 2
R267	A11368-10011	1.KOHM .1W 1% CHIP 0805	H 2
R268	A11368-35721	35.7 KOHM 0.1W 1% 0805 T/R	G 13
R270	A11368-10021	10K 1/10W 1% SMD 0805 T/R	G 12
R272	A11368-18231	182 KOHM 1% 0.10W 0805	H 13
R273	A11368-24911	2.49K 1/10W 1% SMD 0805 T/R	H 14
R274	A11368-10021	10K 1/10W 1% SMD 0805 T/R	H 14
R275	A11368-10021	10K 1/10W 1% SMD 0805 T/R	H 13
R276	A11368-24911	2.49K 1/10W 1% SMD 0805 T/R	H 12
R277	A11368-12421	12.4K 1/10W 1% SMD 0805 T/R	H 12
R278	A11368-24911	2.49K 1/10W 1% SMD 0805 T/R	G 12
R283	A11368-24924	24.9KOHM .5W 1% 2010 T/R	G 11
R284	A11368-24924	24.9KOHM .5W 1% 2010 T/R	G 11
R285	A11368-24911	2.49K 1/10W 1% SMD 0805 T/R	G 12
R286	A11368-20011	2.0K, 0.10W 1% MF 0805	G 12
R287	A11368-10021	10K 1/10W 1% SMD 0805 T/R	H 11
R288	A11368-10011	1.KOHM .1W 1% CHIP 0805	G 12
R289	A11368-10011	1.KOHM .1W 1% CHIP 0805	G 12
R290	A11368-10021	10K 1/10W 1% SMD 0805 T/R	H 11
R291	A11368-10011	1.KOHM .1W 1% CHIP 0805	G 12
R292	A11368-10011	1.KOHM .1W 1% CHIP 0805	G 12
R293	A11368-10021	10K 1/10W 1% SMD 0805 T/R	H 12
R294	A11368-10021	10K 1/10W 1% SMD 0805 T/R	H 12
R295	A11368-10021	10K 1/10W 1% SMD 0805 T/R	H 12
R296	A11368-10021	10K 1/10W 1% SMD 0805 T/R	H 11
R297	A11368-26721	26.7KOHM .1W 1% 0805 T/R	H 12
R298	A11368-10021	10K 1/10W 1% SMD 0805 T/R	H 12
R299	A11368-49911	4.99K 1/10W 1% SMD 0805 T/R	H 12
R300	A11368-22121	22.1K 0.10W 1% CHIP 0805	J 11
R301	A11368-49911	4.99K 1/10W 1% SMD 0805 T/R	J 12
R302	A11368-20021	20.KOHM .1W 1% CHIP 0805	N 12
R303	A11368-12131	121KOHM, 0.10W 1% CHIP 0805	M 13
R304	A11368-10021	10K 1/10W 1% SMD 0805 T/R	N 13
R305	A11368-20021	20.KOHM .1W 1% CHIP 0805	M 12
R306	A11368-10031	100.KOHM .1W 1% CHIP 0805	M 12
R307	A11368-10011	1.KOHM .1W 1% CHIP 0805	M 12
R308	A11368-34011	3.4K 0.10W 1% MF 0805	F 2

R309	A11368-34011	3.4K 0.10W 1% MF 0805	F 2
R310	A11368-20021	20.KOHM .1W 1% CHIP 0805	F 2
R311	A11368-20021	20.KOHM .1W 1% CHIP 0805	F 2
R312	A11368-49921	49.9KOHM .1W 1% CHIP 0805	F 2
R313	C10447-8	100.KOHM TOP ADJ TRIMMER T/R	F 2
R314	A11368-82521	82.5K 0.10W 1%CHIP 0805	F 2
R315	A11368-82521	82.5K 0.10W 1%CHIP 0805	F 2
R316	A11368-71531	715K 0.1W 1% 0805 T/R	F 1
R317	C10447-8	100.KOHM TOP ADJ TRIMMER T/R	F 1
R318	A11368-68131	681KOHM .1W 1% 0805 T/R	D 2
R319	A11368-10031	100.KOHM .1W 1% CHIP 0805	D 2
R320	A11368-20031	200K 0.1W 1% SMD CHIP 0805	D 2
R321	A11368-20031	200K 0.1W 1% SMD CHIP 0805	D 2
R322	A11368-68111	6.81K 0.10W 1% CHIP 0805	F 2
R323	A11368-68111	6.81K 0.10W 1% CHIP 0805	F 2
R324	A11368-20021	20.KOHM .1W 1% CHIP 0805	F 2
R325	A11368-20021	20.KOHM .1W 1% CHIP 0805	F 2
R326	A11368-22111	2.21KOHM .1W 1% CHIP 0805	E 2
R327	A11368-30931	RES, 309K OHM 1% 0.10W 0805	F 2
R328	A11368-64901	RES, 649 OHM 1% 0.1W SMT 0805	P 10
R329	A11368-10001	100 OHM 1% 0805 RES T/R	P 10
R330	132556-1	RES, 0.68 OHM 5% 2W RADIAL	O 3
R331	132556-1	RES, 0.68 OHM 5% 2W RADIAL	P 3
R332	132556-1	RES, 0.68 OHM 5% 2W RADIAL	P 3
R333	132556-1	RES, 0.68 OHM 5% 2W RADIAL	Q 3
R334	132556-1	RES, 0.68 OHM 5% 2W RADIAL	Q 3
R335	132556-1	RES, 0.68 OHM 5% 2W RADIAL	R 3
R336	A11368-49911	4.99K 1/10W 1% SMD 0805 T/R	P 9
R337	A11368-75001	750 OHM .1 1% 0805 T/R	Q 8
R338	A11368-75001	750 OHM .1 1% 0805 T/R	Q 8
R339	A11368-49911	4.99K 1/10W 1% SMD 0805 T/R	P 9
R340	A11368-15023	15KOHM .25W 1% 1210 SMT T/R	P 8
R341	A11368-15023	15KOHM .25W 1% 1210 SMT T/R	P 7
R342	A11368-51R11	51.1 OHM 0.1W 1% MF 0805	O 7
R343	A11368-18211	1.82KOHM .1W 1% 0805 T/R	O 7
R344	A11368-64901	RES, 649 OHM 1% 0.1W SMT 0805	O 7
R345	C10613-5	1 KOHM TOP ADJUST TRIMMER T/R	N 7
R346	A11368-10021	10K 1/10W 1% SMD 0805 T/R	O 7
R347	A11368-33R24	33.2 OHM .5W 1% 2010 T/R	O 6
R348	132556-1	RES, 0.68 OHM 5% 2W RADIAL	P 7
R349	132556-1	RES, 0.68 OHM 5% 2W RADIAL	P 7
R350	132556-1	RES, 0.68 OHM 5% 2W RADIAL	P 7
R351	132556-1	RES, 0.68 OHM 5% 2W RADIAL	P 7
R352	132556-1	RES, 0.68 OHM 5% 2W RADIAL	P 7
R353	132556-1	RES, 0.68 OHM 5% 2W RADIAL	Q 7
R354	A11368-10021	10K 1/10W 1% SMD 0805 T/R	M 7
R355	132556-1	RES, 0.68 OHM 5% 2W RADIAL	L 7
R356	132556-1	RES, 0.68 OHM 5% 2W RADIAL	L 7
R357	132556-1	RES, 0.68 OHM 5% 2W RADIAL	M 7
R358	132556-1	RES, 0.68 OHM 5% 2W RADIAL	M 7
R359	132556-1	RES, 0.68 OHM 5% 2W RADIAL	L 7
R360	132556-1	RES, 0.68 OHM 5% 2W RADIAL	M 7
R361	A11368-33R22	33.2 OHM .125W 1% 1206 T/R	K 7
R362	A11368-33R24	33.2 OHM .5W 1% 2010 T/R	K 7
R363	A11368-14721	14.7 KOHM .1W 1% 0805	O 3
R364	A11368-14721	14.7 KOHM .1W 1% 0805	O 3
R365	A11368-14721	14.7 KOHM .1W 1% 0805	O 3
R366	A11368-64901	RES, 649 OHM 1% 0.1W SMT 0805	O 10
R367	A11368-10001	100 OHM 1% 0805 RES T/R	O 10

R368	132556-1	RES, 0.68 OHM 5% 2W RADIAL	K 3
R369	132556-1	RES, 0.68 OHM 5% 2W RADIAL	K 3
R370	132556-1	RES, 0.68 OHM 5% 2W RADIAL	K 3
R371	132556-1	RES, 0.68 OHM 5% 2W RADIAL	L 3
R372	132556-1	RES, 0.68 OHM 5% 2W RADIAL	L 3
R373	132556-1	RES, 0.68 OHM 5% 2W RADIAL	M 3
R374	A11368-34011	3.4K 0.10W 1% MF 0805	N 2
R375	A11368-34011	3.4K 0.10W 1% MF 0805	N 2
R376	A11368-30931	RES, 309K OHM 1% 0.10W 0805	N 1
R377	A11368-22111	2.21KOHM .1W 1% CHIP 0805	N 1
R378	A11368-19111	1.91KOHM .1W 1% 0805 T/R	N 2
R379	C10447-8	100.KOHM TOP ADJ TRIMMER T/R	N 2
R380	A11368-93121	RES, 93.1K 1% 0.1W SMT 0805	N 2
R381	A11368-93121	RES, 93.1K 1% 0.1W SMT 0805	N 2
R382	A11368-49921	49.9KOHM .1W 1% CHIP 0805	N 2
R383	A11368-68111	6.81K 0.10W 1% CHIP 0805	N 1
R384	A11368-20021	20.KOHM .1W 1% CHIP 0805	N 2
R385	A11368-20021	20.KOHM .1W 1% CHIP 0805	N 2
R386	A11368-68131	681KOHM .1W 1% 0805 T/R	P 2
R387	A11368-10031	100.KOHM .1W 1% CHIP 0805	P 2
R388	A11368-20031	200K 0.1W 1% SMD CHIP 0805	P 2
R389	A11368-20031	200K 0.1W 1% SMD CHIP 0805	P 2
R390	A11368-71531	715K 0.1W 1% 0805 T/R	N 1
R391	C10447-8	100.KOHM TOP ADJ TRIMMER T/R	N 1
R392	A11368-26121	26.1KOHM .1W 1% 0805 T/R	O 3
R393	A11368-26121	26.1KOHM .1W 1% 0805 T/R	O 3
R394	A11368-26121	26.1KOHM .1W 1% 0805 T/R	O 3
R395	A11371-1105	11 OHM 1W 5% 2512 T/R	N 3
R396		OPEN	K 7
R397	A11368-10001	100 OHM 1% 0805 RES T/R	N 15
R398	A11368-10031	100.KOHM .1W 1% CHIP 0805	J 2
R400	A11368-22121	22.1K 0.10W 1% CHIP 0805	H 11
R401	A11368-49911	4.99K 1/10W 1% SMD 0805 T/R	H 12
R402	A11368-20021	20.KOHM .1W 1% CHIP 0805	L 12
R403	A11368-12131	121KOHM, 0.10W 1% CHIP 0805	L 13
R404	A11368-10021	10K 1/10W 1% SMD 0805 T/R	L 13
R405	A11368-20021	20.KOHM .1W 1% CHIP 0805	M 12
R406	A11368-10031	100.KOHM .1W 1% CHIP 0805	L 12
R407	A11368-10011	1.KOHM .1W 1% CHIP 0805	L 12
R408	A11368-34011	3.4K 0.10W 1% MF 0805	G 2
R409	A11368-34011	3.4K 0.10W 1% MF 0805	G 2
R410	A11368-20021	20.KOHM .1W 1% CHIP 0805	G 2
R411	A11368-20021	20.KOHM .1W 1% CHIP 0805	G 2
R412	A11368-49921	49.9KOHM .1W 1% CHIP 0805	G 2
R413	C10447-8	100.KOHM TOP ADJ TRIMMER T/R	F 2
R414	A11368-82521	82.5K 0.10W 1%CHIP 0805	G 2
R415	A11368-82521	82.5K 0.10W 1%CHIP 0805	G 2
R416	A11368-71531	715K 0.1W 1% 0805 T/R	G 1
R417	C10447-8	100.KOHM TOP ADJ TRIMMER T/R	G 1
R418	A11368-68131	681KOHM .1W 1% 0805 T/R	E 2
R419	A11368-10031	100.KOHM .1W 1% CHIP 0805	E 2
R420	A11368-20031	200K 0.1W 1% SMD CHIP 0805	E 2
R421	A11368-20031	200K 0.1W 1% SMD CHIP 0805	E 2
R422	A11368-68111	6.81K 0.10W 1% CHIP 0805	F 2
R423	A11368-68111	6.81K 0.10W 1% CHIP 0805	F 2
R424	A11368-20021	20.KOHM .1W 1% CHIP 0805	G 2
R425	A11368-20021	20.KOHM .1W 1% CHIP 0805	F 2
R426	A11368-22111	2.21KOHM .1W 1% CHIP 0805	F 2
R427	A11368-30931	RES, 309K OHM 1% 0.10W 0805	G 2

R428	A11368-64901	RES, 649 OHM 1% 0.1W SMT 0805	O 7
R429	A11368-10001	100 OHM 1% 0805 RES T/R	P 8
R430	132556-1	RES, 0.68 OHM 5% 2W RADIAL	G 3
R431	132556-1	RES, 0.68 OHM 5% 2W RADIAL	H 3
R432	132556-1	RES, 0.68 OHM 5% 2W RADIAL	I 3
R433	132556-1	RES, 0.68 OHM 5% 2W RADIAL	I 3
R434	132556-1	RES, 0.68 OHM 5% 2W RADIAL	I 3
R435	132556-1	RES, 0.68 OHM 5% 2W RADIAL	I 3
R436	A11368-49911	4.99K 1/10W 1% SMD 0805 T/R	O 9
R437	A11368-75001	750 OHM .1 1% 0805 T/R	O 9
R438	A11368-75001	750 OHM .1 1% 0805 T/R	O 9
R439	A11368-49911	4.99K 1/10W 1% SMD 0805 T/R	O 9
R440	A11368-15023	15KOHM .25W 1% 1210 SMT T/R	P 7
R441	A11368-15023	15KOHM .25W 1% 1210 SMT T/R	P 8
R442	A11368-51R11	51.1 OHM 0.1W 1% MF 0805	G 7
R443	A11368-18211	1.82KOHM .1W 1% 0805 T/R	G 7
R444	A11368-64901	RES, 649 OHM 1% 0.1W SMT 0805	G 7
R445	C10613-5	1 KOHM TOP ADJUST TRIMMER T/R	G 7
R446	A11368-10021	10K 1/10W 1% SMD 0805 T/R	G 7
R447	A11368-33R24	33.2 OHM .5W 1% 2010 T/R	G 6
R448	132556-1	RES, 0.68 OHM 5% 2W RADIAL	H 7
R449	132556-1	RES, 0.68 OHM 5% 2W RADIAL	H 7
R450	132556-1	RES, 0.68 OHM 5% 2W RADIAL	H 7
R451	132556-1	RES, 0.68 OHM 5% 2W RADIAL	H 7
R452	132556-1	RES, 0.68 OHM 5% 2W RADIAL	I 7
R453	132556-1	RES, 0.68 OHM 5% 2W RADIAL	I 7
R454	A11368-10021	10K 1/10W 1% SMD 0805 T/R	H 7
R455	132556-1	RES, 0.68 OHM 5% 2W RADIAL	D 7
R456	132556-1	RES, 0.68 OHM 5% 2W RADIAL	D 7
R457	132556-1	RES, 0.68 OHM 5% 2W RADIAL	D 7
R458	132556-1	RES, 0.68 OHM 5% 2W RADIAL	D 7
R459	132556-1	RES, 0.68 OHM 5% 2W RADIAL	E 7
R460	132556-1	RES, 0.68 OHM 5% 2W RADIAL	E 7
R461	A11368-33R22	33.2 OHM .125W 1% 1206 T/R	C 7
R462	A11368-33R24	33.2 OHM .5W 1% 2010 T/R	C 6
R463	A11368-14721	14.7 KOHM .1W 1% 0805	E 3
R464	A11368-14721	14.7 KOHM .1W 1% 0805	D 3
R465	A11368-14721	14.7 KOHM .1W 1% 0805	C 3
R466	A11368-64901	RES, 649 OHM 1% 0.1W SMT 0805	O 8
R467	A11368-10001	100 OHM 1% 0805 RES T/R	O 8
R468	132556-1	RES, 0.68 OHM 5% 2W RADIAL	C 3
R469	132556-1	RES, 0.68 OHM 5% 2W RADIAL	D 3
R470	132556-1	RES, 0.68 OHM 5% 2W RADIAL	D 3
R471	132556-1	RES, 0.68 OHM 5% 2W RADIAL	D 3
R472	132556-1	RES, 0.68 OHM 5% 2W RADIAL	E 3
R473	132556-1	RES, 0.68 OHM 5% 2W RADIAL	E 3
R474	A11368-34011	3.4K 0.10W 1% MF 0805	O 2
R475	A11368-34011	3.4K 0.10W 1% MF 0805	O 2
R476	A11368-30931	RES, 309K OHM 1% 0.10W 0805	P 2
R477	A11368-22111	2.21KOHM .1W 1% CHIP 0805	P 2
R478	A11368-19111	1.91KOHM .1W 1% 0805 T/R	O 2
R479	C10447-8	100.KOHM TOP ADJ TRIMMER T/R	O 2
R480	A11368-93121	RES, 93.1K 1% 0.1W SMT 0805	O 2
R481	A11368-93121	RES, 93.1K 1% 0.1W SMT 0805	O 2
R482	A11368-49921	49.9KOHM .1W 1% CHIP 0805	O 2
R483	A11368-68111	6.81K 0.10W 1% CHIP 0805	O 2
R484	A11368-20021	20.KOHM .1W 1% CHIP 0805	O 2
R485	A11368-20021	20.KOHM .1W 1% CHIP 0805	O 2
R486	A11368-68131	681KOHM .1W 1% 0805 T/R	Q 2

R487	A11368-10031	100.KOHM .1W 1% CHIP 0805	Q 2
R488	A11368-20031	200K 0.1W 1% SMD CHIP 0805	Q 2
R489	A11368-20031	200K 0.1W 1% SMD CHIP 0805	Q 2
R490	A11368-71531	715K 0.1W 1% 0805 T/R	O 1
R491	C10447-8	100.KOHM TOP ADJ TRIMMER T/R	O 1
R492	A11368-26121	26.1KOHM .1W 1% 0805 T/R	E 3
R493	A11368-26121	26.1KOHM .1W 1% 0805 T/R	D 3
R494	A11368-26121	26.1KOHM .1W 1% 0805 T/R	C 3
R495	A11371-1105	11 OHM 1W 5% 2512 T/R	I 2
R496	A11371-5R65	5.6 OHM 1W 5% 2512 T/R	I 7
R497	A11368-10001	100 OHM 1% 0805 RES T/R	L 15
R498	A11368-10031	100.KOHM .1W 1% CHIP 0805	J 2
R513	A11368-13031	130 KOHM 0.1W 1% 0805	G 3
R514	A11368-40221	40.2KOHM 0.10W 1% SMT 0805	G 3
R515	A11368-10041	1M OHM .1W 1% CHIP 0805	F 3
R516	A11368-10031	100.KOHM .1W 1% CHIP 0805	D 2
R517	A11368-18721	18.7KOHM 0.10W 1% SMT 0805	D 2
R518	A11368-18721	18.7KOHM 0.10W 1% SMT 0805	D 2
R519	A11368-10031	100.KOHM .1W 1% CHIP 0805	D 2
R520	A11368-82521	82.5K 0.10W 1%CHIP 0805	D 2
R521	A11368-82521	82.5K 0.10W 1%CHIP 0805	D 2
R522	A11368-10031	100.KOHM .1W 1% CHIP 0805	D 2
R523	A11368-10031	100.KOHM .1W 1% CHIP 0805	E 2
R524	A11368-82521	82.5K 0.10W 1%CHIP 0805	P 2
R525	A11368-10031	100.KOHM .1W 1% CHIP 0805	P 2
R526	A11368-10021	10K 1/10W 1% SMD 0805 T/R	P 2
R527	A11368-18721	18.7KOHM 0.10W 1% SMT 0805	P 2
R528	A11368-10031	100.KOHM .1W 1% CHIP 0805	P 2
R529	A11368-82521	82.5K 0.10W 1%CHIP 0805	P 2
R530	A11368-10031	100.KOHM .1W 1% CHIP 0805	P 2
R531	A11368-10031	100.KOHM .1W 1% CHIP 0805	P 2
R532	A11368-13331	133.KOHM .1W 1% CHIP 0805	E 1
R533	A11368-10031	100.KOHM .1W 1% CHIP 0805	G 3
R534	A11368-10031	100.KOHM .1W 1% CHIP 0805	G 3
R535	A11368-10031	100.KOHM .1W 1% CHIP 0805	F 3
R536	A11368-10031	100.KOHM .1W 1% CHIP 0805	F 3
R537	A11368-13331	133.KOHM .1W 1% CHIP 0805	G 3
R538	A11368-10R01	10 OHM .1W 1% 0805 T/R	G 3
R544	A11368-12741	1.27MOHM .1W 1% 0805 T/R	P 11
R545	A11368-12741	1.27MOHM .1W 1% 0805 T/R	P 11
R546	A11368-36531	RES, 365 KOHM 1% .1W 0805	P 11
R547	A11368-10031	100.KOHM .1W 1% CHIP 0805	P 11
R548	A11368-49921	49.9KOHM .1W 1% CHIP 0805	P 11
R549	A11368-10031	100.KOHM .1W 1% CHIP 0805	I 11
R550	A11368-75011	7.50K .10W 1% CHIP 0805	I 11
R551	A11368-10721	RES, 10.7K 1% 0.1W SMT 0805	I 12
R552	A11368-10031	100.KOHM .1W 1% CHIP 0805	I 11
R553	A11368-10031	100.KOHM .1W 1% CHIP 0805	I 11
R554	A11368-10521	10.5K .10W 1% MF 0805	I 11
R555	A11368-49911	4.99K 1/10W 1% SMD 0805 T/R	I 12
R556	A11368-10021	10K 1/10W 1% SMD 0805 T/R	L 11
R557	A11368-10021	10K 1/10W 1% SMD 0805 T/R	I 12
R563	A11368-10001	100 OHM 1% 0805 RES T/R	P 10
R564	A11368-15831	158KOHM .1W 1% 0805 T/R	N 12
R566	A11368-10001	100 OHM 1% 0805 RES T/R	P 10
R567	A11371-5R12	5.1OHM 0.125W 5% 1206 T/R	J 9
R568	A11371-5R12	5.1OHM 0.125W 5% 1206 T/R	I 9
R569	A11368-10001	100 OHM 1% 0805 RES T/R	O 10
R570	A11371-5R12	5.1OHM 0.125W 5% 1206 T/R	I 9

R571	A11368-13321	13.3K 0.10W 1% CHIP 0805	F 10
R572	A11368-10001	100 OHM 1% 0805 RES T/R	O 10
R574	A11368-27432	274K .125W 1% CHIP RES T/R	F 11
R575	A11368-10001	100 OHM 1% 0805 RES T/R	P 8
R576	A11368-37412	3.74KOHM .125W 1% 1206 T/R	A 2
R577	A11368-37412	3.74KOHM .125W 1% 1206 T/R	N 2
R578	A11368-10001	100 OHM 1% 0805 RES T/R	P 8
R579	A11368-20021	20.KOHM .1W 1% CHIP 0805	H 11
R580	A11368-22121	22.1K 0.10W 1% CHIP 0805	G 11
R581	A11368-10001	100 OHM 1% 0805 RES T/R	O 8
R582	A11371-1105	11 OHM 1W 5% 2512 T/R	N 3
R584	A11368-10001	100 OHM 1% 0805 RES T/R	O 8
R585	A11368-24911	2.49K 1/10W 1% SMD 0805 T/R	K 2
R586	A11368-49911	4.99K 1/10W 1% SMD 0805 T/R	K 11
R587	A11368-51R11	51.1 OHM 0.1W 1% MF 0805	P 9
R588	A11368-51R11	51.1 OHM 0.1W 1% MF 0805	O 9
R589	A11368-24911	2.49K 1/10W 1% SMD 0805 T/R	K 2
R590	A11368-49911	4.99K 1/10W 1% SMD 0805 T/R	G 11
R591	A11368-10031	100.KOHM .1W 1% CHIP 0805	F 12
R592	A11368-15021	15.0K, 0.10W 1% MF 0805	F 12
R593	A11368-40211	4.02K 1/10W 1% SMD 0805 T/R	F 12
R594	A11368-10001	100 OHM 1% 0805 RES T/R	L 12
R596	A11368-68131	681KOHM .1W 1% 0805 T/R	F 1
R597	A11368-68131	681KOHM .1W 1% 0805 T/R	F 1
R598	A11368-68131	681KOHM .1W 1% 0805 T/R	F 1
R599	A11368-68131	681KOHM .1W 1% 0805 T/R	G 1
R613	A11368-13031	130 KOHM 0.1W 1% 0805	F 3
R614	A11368-40221	40.2KOHM 0.10W 1% SMT 0805	F 3
R615	A11368-10041	1M OHM .1W 1% CHIP 0805	F 2
R616	A11368-10031	100.KOHM .1W 1% CHIP 0805	E 2
R617	A11368-18721	18.7KOHM 0.10W 1% SMT 0805	E 2
R618	A11368-18721	18.7KOHM 0.10W 1% SMT 0805	E 2
R619	A11368-10031	100.KOHM .1W 1% CHIP 0805	E 2
R620	A11368-82521	82.5K 0.10W 1%CHIP 0805	E 2
R621	A11368-82521	82.5K 0.10W 1%CHIP 0805	E 2
R622	A11368-10031	100.KOHM .1W 1% CHIP 0805	E 2
R623	A11368-10031	100.KOHM .1W 1% CHIP 0805	E 2
R624	A11368-82521	82.5K 0.10W 1%CHIP 0805	Q 2
R625	A11368-10031	100.KOHM .1W 1% CHIP 0805	Q 2
R626	A11368-10021	10K 1/10W 1% SMD 0805 T/R	Q 2
R627	A11368-18721	18.7KOHM 0.10W 1% SMT 0805	Q 2
R628	A11368-10031	100.KOHM .1W 1% CHIP 0805	Q 2
R629	A11368-82521	82.5K 0.10W 1%CHIP 0805	Q 2
R630	A11368-10031	100.KOHM .1W 1% CHIP 0805	Q 2
R631	A11368-10031	100.KOHM .1W 1% CHIP 0805	Q 2
R632	A11368-13331	133.KOHM .1W 1% CHIP 0805	Q 2
R633	A11368-10031	100.KOHM .1W 1% CHIP 0805	E 3
R634	A11368-10031	100.KOHM .1W 1% CHIP 0805	F 3
R635	A11368-10031	100.KOHM .1W 1% CHIP 0805	F 3
R636	A11368-10031	100.KOHM .1W 1% CHIP 0805	F 3
R637	A11368-13331	133.KOHM .1W 1% CHIP 0805	F 3
R638	A11368-10R01	10 OHM .1W 1% 0805 T/R	F 3
R644	A11368-12741	1.27MOHM .1W 1% 0805 T/R	O 11
R645	A11368-12741	1.27MOHM .1W 1% 0805 T/R	O 11
R646	A11368-36531	RES, 365 KOHM 1% .1W 0805	O 11
R647	A11368-10031	100.KOHM .1W 1% CHIP 0805	O 11
R648	A11368-49921	49.9KOHM .1W 1% CHIP 0805	O 11
R649	A11368-10031	100.KOHM .1W 1% CHIP 0805	I 11
R650	A11368-75011	7.50K .10W 1% CHIP 0805	I 11

R651	A11368-10721	RES, 10.7K 1% 0.1W SMT 0805	I 12
R652	A11368-10031	100.KOHM .1W 1% CHIP 0805	I 11
R653	A11368-10031	100.KOHM .1W 1% CHIP 0805	I 11
R654	A11368-10521	10.5K .10W 1% MF 0805	I 12
R655	A11368-49911	4.99K 1/10W 1% SMD 0805 T/R	J 12
R656	A11368-10021	10K 1/10W 1% SMD 0805 T/R	L 11
R657	A11368-10021	10K 1/10W 1% SMD 0805 T/R	I 12
R658	A11368-20031	200K 0.1W 1% SMD CHIP 0805	P 10
R659	A11368-30121	30.1K, 0.10W 1% MF 0805	P 10
R660	A11368-30121	30.1K, 0.10W 1% MF 0805	O 10
R661	A11368-20031	200K 0.1W 1% SMD CHIP 0805	O 10
R662	A11368-68131	681KOHM .1W 1% 0805 T/R	N 1
R667	A11368-68131	681KOHM .1W 1% 0805 T/R	N 1
R668	A11368-68131	681KOHM .1W 1% 0805 T/R	O 1
R669	A11368-68131	681KOHM .1W 1% 0805 T/R	O 2
R682	A11371-1105	11 OHM 1W 5% 2512 T/R	H 3
R687	A11368-51R11	51.1 OHM 0.1W 1% MF 0805	P 8
R688	A11368-51R11	51.1 OHM 0.1W 1% MF 0805	N 8
R801	A11368-10001	100 OHM 1% 0805 RES T/R	J 15
R802	A11368-10001	100 OHM 1% 0805 RES T/R	J 15
R803	A11368-10001	100 OHM 1% 0805 RES T/R	J 15
R804	A11368-10001	100 OHM 1% 0805 RES T/R	J 15
R805	A11368-10001	100 OHM 1% 0805 RES T/R	K 15
R806	A11368-10001	100 OHM 1% 0805 RES T/R	H 15
R807	A11368-10001	100 OHM 1% 0805 RES T/R	I 15
R808	A11368-10001	100 OHM 1% 0805 RES T/R	H 15
R809	A11368-10001	100 OHM 1% 0805 RES T/R	H 15
R810	A11368-10001	100 OHM 1% 0805 RES T/R	H 15
R900	133910-1	RES, 27KOHM 5% 2W RAD T/R	F 9
R901	133910-1	RES, 27KOHM 5% 2W RAD T/R	L 9
R902	A11371-2023	2K OHM .25W 5% 1210 T/R	E 11
R903	A11368-20021	20.KOHM .1W 1% CHIP 0805	E 11
R905	A11368-10031	100.KOHM .1W 1% CHIP 0805	D 12
R907	A11368-16521	16.5KOHM .1W 1% 0805 T/R	F 12
R908	A11368-24921	24.9K 1/10W 1% SMD 0805 T/R	F 12
R909	A11368-75021	75K 1/10W 1% SMD 0805 T/R	D 12
R910	A11368-10021	10K 1/10W 1% SMD 0805 T/R	E 12
R911	A11368-56221	56.2K OHM .1W 1% 0805 T/R	D 12
R912	A11368-20021	20.KOHM .1W 1% CHIP 0805	E 12
R913	A11368-22121	22.1K 0.10W 1% CHIP 0805	D 12
R914	A11368-75021	75K 1/10W 1% SMD 0805 T/R	C 12
R915	A11368-30931	RES, 309K OHM 1% 0.10W 0805	D 12
R916	A11368-15831	158KOHM .1W 1% 0805 T/R	D 12
R917	A11368-20021	20.KOHM .1W 1% CHIP 0805	D 12
R918	A11368-20031	200K 0.1W 1% SMD CHIP 0805	D 11
R919	A11368-10031	100.KOHM .1W 1% CHIP 0805	D 11
R920	A11368-10021	10K 1/10W 1% SMD 0805 T/R	D 12
R921	A11368-10021	10K 1/10W 1% SMD 0805 T/R	D 12
R922	A11368-20021	20.KOHM .1W 1% CHIP 0805	D 11
R923	A11368-20021	20.KOHM .1W 1% CHIP 0805	D 11
R924	A11368-20021	20.KOHM .1W 1% CHIP 0805	D 11
R925	A11368-20021	20.KOHM .1W 1% CHIP 0805	D 11
R926	A11368-31611	3.16K 0.1W 1% 0805 T/R	D 11
R927	A11368-10031	100.KOHM .1W 1% CHIP 0805	D 12
R928	A11368-49931	499KOHM .1W 1% 0805 T/R	D 12
R929	A11368-49931	499KOHM .1W 1% 0805 T/R	E 12
R930	A11368-49931	499KOHM .1W 1% 0805 T/R	E 12
R931	A11368-10031	100.KOHM .1W 1% CHIP 0805	E 12
R932	A11368-10021	10K 1/10W 1% SMD 0805 T/R	E 11

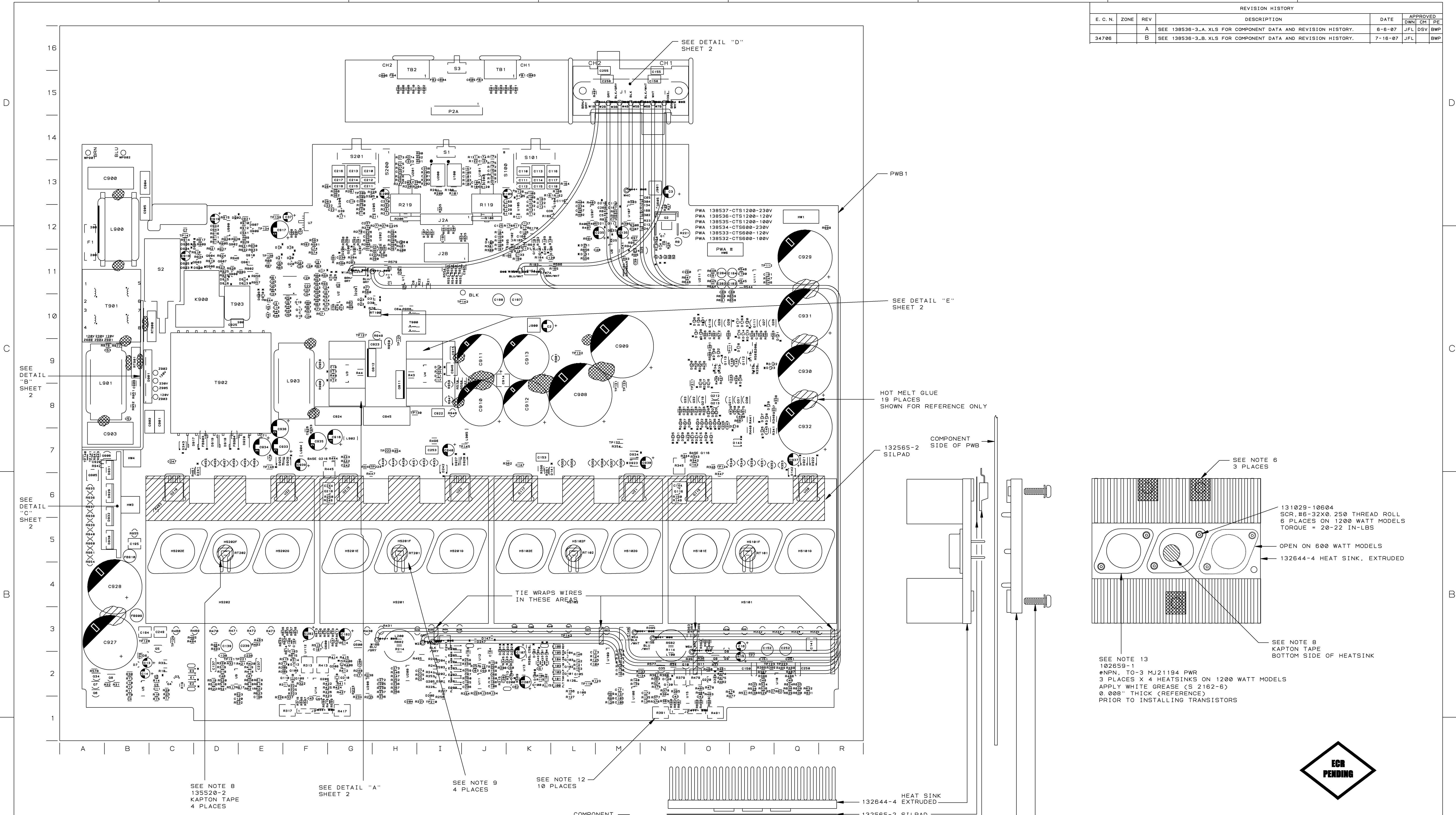
R933	A11368-49921	49.9KOHM .1W 1% CHIP 0805	E 11
R934	A11368-10021	10K 1/10W 1% SMD 0805 T/R	D 11
R935	132560-1	RES, 220 OHM 5% 2W RADIAL	A 6
R936	132560-1	RES, 220 OHM 5% 2W RADIAL	A 6
R937	132560-1	RES, 220 OHM 5% 2W RADIAL	A 6
R938	132560-1	RES, 220 OHM 5% 2W RADIAL	A 6
R939	132560-1	RES, 220 OHM 5% 2W RADIAL	A 5
R940	132560-1	RES, 220 OHM 5% 2W RADIAL	A 5
R941	A11368-10011	1.KOHM .1W 1% CHIP 0805	A 7
R942	A11368-10011	1.KOHM .1W 1% CHIP 0805	A 7
R943	A11368-10011	1.KOHM .1W 1% CHIP 0805	A 7
R944	A11368-24921	24.9K 1/10W 1% SMD 0805 T/R	E 10
R946	A11371-2724	2.7 KOHM .5W 5% 2010 T/R	D 11
R947	132559-1	RES, 8.2 OHM 5% 2W RADIAL	I 8
R948	132559-1	RES, 8.2 OHM 5% 2W RADIAL	I 8
R949	132559-1	RES, 8.2 OHM 5% 2W RADIAL	H 10
R950	132559-1	RES, 8.2 OHM 5% 2W RADIAL	H 9
R951	A11371-2204	22 OHM .5W 5% 2010 T/R	B 8
R952	A11371-2204	22 OHM .5W 5% 2010 T/R	B 8
R953	A11368-1R001	1 OHM .1W 1% 0805 T/R	F 7
R954	133910-1	RES, 27KOHM 5% 2W RAD T/R	A 5
R955	133910-1	RES, 27KOHM 5% 2W RAD T/R	B 5
R956	A11368-80R64	80.6 OHM 1% 0.50W 2010 T/R	E 11
R957	A11368-80R64	80.6 OHM 1% 0.50W 2010 T/R	E 11
R958	133910-1	RES, 27KOHM 5% 2W RAD T/R	I 8
R959	133910-1	RES, 27KOHM 5% 2W RAD T/R	F 9
R960	132560-1	RES, 220 OHM 5% 2W RADIAL	A 5
R961	132560-1	RES, 220 OHM 5% 2W RADIAL	A 5
R966	A11368-1R001	1 OHM .1W 1% 0805 T/R	H 10
R977	A11368-47532	475 KOHM .125W 1% CHIP RES	B 9
R978	A11368-47532	475 KOHM .125W 1% CHIP RES	B 9
R999	A11368-20021	20.KOHM .1W 1% CHIP 0805	R 12
RT100	132095-1	NTC, 20K J 2% W/CONNECTOR	H 10
RT101	133188-1	THERMISTOR, 20K NTC 0805 SMT	P 5
RT102	133188-1	THERMISTOR, 20K NTC 0805 SMT	L 5
RT201	133188-1	THERMISTOR, 20K NTC 0805 SMT	H 5
RT202	133188-1	THERMISTOR, 20K NTC 0805 SMT	D 5
RT900	138466-1	PRP, 101103-1 PTC .125	C 10
RT901	138466-1	PRP, 101103-1 PTC .125	B 9
S1	C 7325-1	2POLE 2POS PC SLIDE SWITCH	I 14
S2	132498-1	SWITCH, DPST PUSHBUTTON VDECSA	C 10
S3	C 7325-1	2POLE 2POS PC SLIDE SWITCH	I 16
S100	131589-1	SWITCH, 2P3T SLIDE VRT PCB MNT	J 13
S101	127386-1	SWITCH, 4P3T SLIDE R/A PCB MNT	K 14
S200	131589-1	SWITCH, 2P3T SLIDE VRT PCB MNT	H 13
S201	127386-1	SWITCH, 4P3T SLIDE R/A PCB MNT	G 14
T900	138362-1	PRP, 134525-2 XFMR .125	H 10
T901	137838-1	XFMR, 5.0VA 115V/230V 28V C.T.	B 10
T902	133382-2	XFMR, CTS BJT 125KHZ POWER	D 9
T903	132050-1	XFMR, CURRENT 1:200	D 10
TB1	C 9676-5	3 POS, R/A 5MM HDR RND PIN	K 15
TB2	C 9676-5	3 POS, R/A 5MM HDR RND PIN	I 15
TP6	127064-1	TEST POINT, SMT 1206	B 2
TP7	127064-1	TEST POINT, SMT 1206	P 2
TP109	127064-1	TEST POINT, SMT 1206	K 13
TP110	127064-1	TEST POINT, SMT 1206	L 2
TP111	127064-1	TEST POINT, SMT 1206	P 9
TP112	127064-1	TEST POINT, SMT 1206	P 11
TP121	127064-1	TEST POINT, SMT 1206	D 2

TP122	127064-1	TEST POINT, SMT 1206	M 7
TP123	127064-1	TEST POINT, SMT 1206	P 2
TP124	127064-1	TEST POINT, SMT 1206	O 7
TP125	127064-1	TEST POINT, SMT 1206	H 9
TP127	127064-1	TEST POINT, SMT 1206	G 10
TP128	127064-1	TEST POINT, SMT 1206	B 3
TP129	127064-1	TEST POINT, SMT 1206	C 3
TP130	127064-1	TEST POINT, SMT 1206	H 8
TP131	127064-1	TEST POINT, SMT 1206	M 8
TP132	127064-1	TEST POINT, SMT 1206	L 9
TP133	127064-1	TEST POINT, SMT 1206	M 8
TP134	127064-1	TEST POINT, SMT 1206	F 12
TP138	127064-1	TEST POINT, SMT 1206	E 11
TP139	127064-1	TEST POINT, SMT 1206	E 12
TP140	127064-1	TEST POINT, SMT 1206	A 7
TP141	127064-1	TEST POINT, SMT 1206	A 7
TP142	127064-1	TEST POINT, SMT 1206	J 10
TP143	127064-1	TEST POINT, SMT 1206	L 3
TP145	127064-1	TEST POINT, SMT 1206	J 7
TP146	127064-1	TEST POINT, SMT 1206	E 7
TP147	127064-1	TEST POINT, SMT 1206	C 12
TP209	127064-1	TEST POINT, SMT 1206	G 13
TP210	127064-1	TEST POINT, SMT 1206	I 1
TP211	127064-1	TEST POINT, SMT 1206	O 9
TP221	127064-1	TEST POINT, SMT 1206	E 2
TP222	127064-1	TEST POINT, SMT 1206	H 7
TP223	127064-1	TEST POINT, SMT 1206	Q 2
TP224	127064-1	TEST POINT, SMT 1206	H 7
U1	131790-1	EEPROM, SERIAL 256X8 SMT	H 11
U2	126556-1	OP AMP, LM324ADR SOIC-14 QUAD	G 10
U3	133328-1	IC, HEX BUFF NON INV 16P SOIC	G 9
U4	133328-1	IC, HEX BUFF NON INV 16P SOIC	I 9
U5	C 9038-8	COMPARATOR, QUAD LM339D SO-14	B 2
U6	132265-1	IC, CONTROLLER UC3846 SMD	F 11
U7	102484-1	REG +15V D2PAK 2.25W	F 12
U8	C 9038-8	COMPARATOR, QUAD LM339D SO-14	M 11
U9	C 9012-3	OP AMP, QUAD LO NOISE MC33079D	D 2
U10	C 9012-3	OP AMP, QUAD LO NOISE MC33079D	Q 2
U11	126556-1	OP AMP, LM324ADR SOIC-14 QUAD	J 2
U12	C 9038-8	COMPARATOR, QUAD LM339D SO-14	J 2
U13	126556-1	OP AMP, LM324ADR SOIC-14 QUAD	K 2
U14	132640-1	IC, DUAL TRANSCONDUCT OP AMP	F 2
U15	132640-1	IC, DUAL TRANSCONDUCT OP AMP	O 2
U20	133491-1	FORMED, C 5095-2 (7815)	Q 6
U21	133492-1	FORMED, C 5096-0 (7915)	M 6
U22	133491-1	FORMED, C 5095-2 (7815)	F 6
U23	133492-1	FORMED, C 5096-0 (7915)	I 6
U100	139499-1	OPTOCOUPLER, MACRON INTL MI0202CLD-R	I 13
U101	C 9012-3	OP AMP, QUAD LO NOISE MC33079D	J 13
U102	C 9012-3	OP AMP, QUAD LO NOISE MC33079D	K 12
U104	134835-1	OP AMP, OP07 LOW OFFSET SO8	L 13
U105	C 9038-8	COMPARATOR, QUAD LM339D SO-14	K 12
U107	C 9038-8	COMPARATOR, QUAD LM339D SO-14	M 12
U108	C 9038-8	COMPARATOR, QUAD LM339D SO-14	M 2
U109	C 9038-8	COMPARATOR, QUAD LM339D SO-14	M 2
U111	C 9038-8	COMPARATOR, QUAD LM339D SO-14	P 11
U112	C 9012-3	OP AMP, QUAD LO NOISE MC33079D	F 3
U200	139499-1	OPTOCOUPLER, MACRON INTL MI0202CLD-R	I 13
U201	C 9012-3	OP AMP, QUAD LO NOISE MC33079D	H 13

U202	C 9012-3	OP AMP, QUAD LO NOISE MC33079D	H 12
U204	134835-1	OP AMP, OP07 LOW OFFSET SO8	G 13
U205	C 9038-8	COMPARATOR, QUAD LM339D SO-14	H 12
U207	C 9038-8	COMPARATOR, QUAD LM339D SO-14	L 12
U208	C 9038-8	COMPARATOR, QUAD LM339D SO-14	G 2
U209	C 9038-8	COMPARATOR, QUAD LM339D SO-14	H 2
U211	C 9038-8	COMPARATOR, QUAD LM339D SO-14	O 11
U900	C 9038-8	COMPARATOR, QUAD LM339D SO-14	D 12
W1A	134211-1	WIRE ASSY, 14GA BRN/GRY 10.5"	G 11
W1B		OPEN	M 15
W2A	134207-2	WIRE ASSY, 14GA GRY 25.5"	I 3
W2B		OPEN	M 15
W3A	134208-2	WIRE ASSY, 14GA BLK/GRY 25.5"	I 3
W3B		OPEN	M 15
W4B		OPEN	M 15
W4C	139572-1	WIRE ASSY, 14GA BLK 6.5"	M 13
W5A	134210-2	WIRE ASSY, 14GA BLK/WHT 22.0"	M 3
W5B		OPEN	N 15
W6A	134209-2	WIRE ASSY, 14GA WHT 20.5"	O 2
W6B		OPEN	N 15
W7A	134212-1	WIRE ASSY, 14GA BRN/WHT 7.0"	K 11
W7B		OPEN	N 15
W15A	135036-1	WIRE ASSY, 14GA BLU/WHT 20.5"	K 11
W15B		OPEN	N 3
W16A	135035-1	WIRE ASSY, 14GA BLU/GRY 30.0"	G 11
W16B		OPEN	H 3
WP901	134204-2	WIRE ASSY, 14GA BRN 5.0" LINE	A 14
WP902	134205-2	WIRE ASSY, 14GA BLU 5.0" NTRL	B 14
Z900	A11371-0R02	0. OHM .125W 5% CHIP RES T/R	A 9
Z901	A11371-0R02	0. OHM .125W 5% CHIP RES T/R	B 9
Z902	134606-1	JUMPER, 14AWG BUS WIRE	C 9
Z903	134606-1	JUMPER, 14AWG BUS WIRE	C 8
Z904		OPEN	A 9
Z905		OPEN	C 9

Section 2.1
CTs1200 120V Schematic 138536-3

REVISION HISTORY					
E. C. N.	ZONE	REV	DESCRIPTION	DATE	APPROVED
					DWN CM PE
34706		A	SEE 138536-3.A.XLS FOR COMPONENT DATA AND REVISION HISTORY.	6-6-07	JFL DSV BWP
		B	SEE 138536-3.B.XLS FOR COMPONENT DATA AND REVISION HISTORY.	7-16-07	JFL BWP



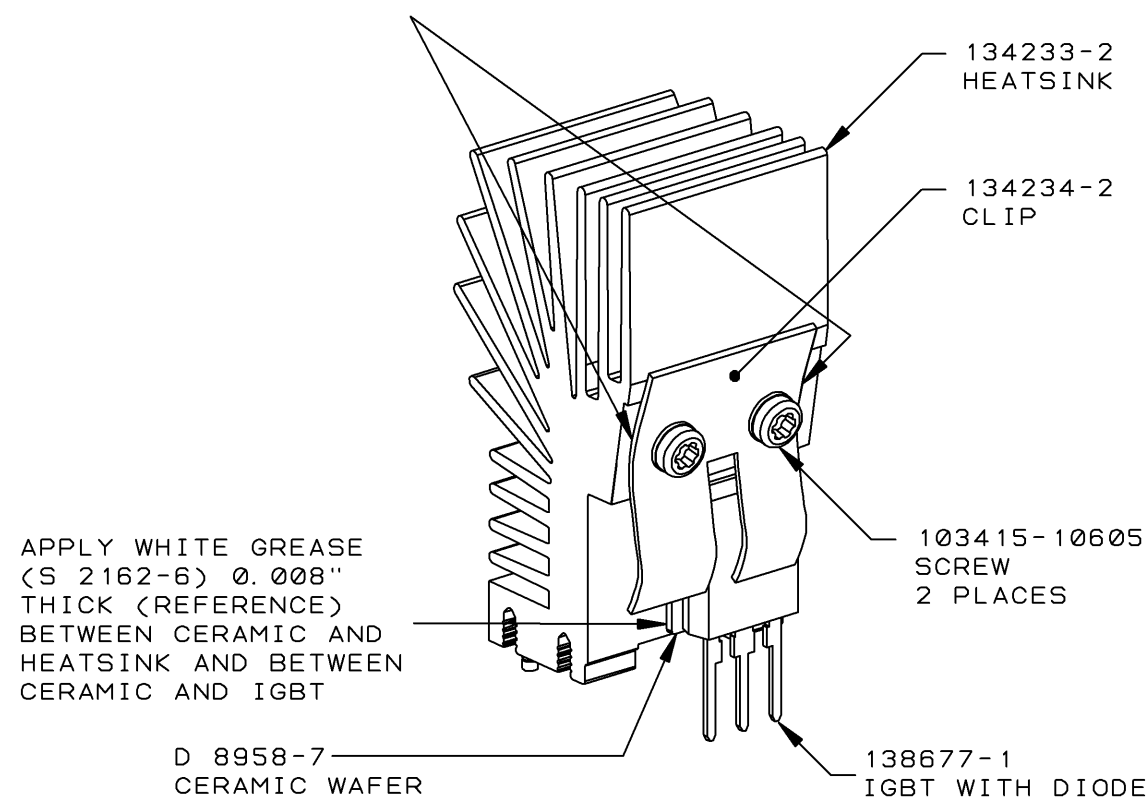
ECH
PENDING

DWN	JFL	6-6-07	CROWN H A Harman International Company 1718 WEST MISHAWAKA RD. ELKHART IN. 46517 PHONE 574-294-8000 WWW.CROWNAUDIO.COM
CM	DSV	6-6-07	
PE	BP	6-6-07	
DISTRIBUTION			TITLE
K			PWA, CTS1200 120V
FILENAME			138536-3.B_01.PCB
TOLERANCE UNLESS OTHERWISE SPECIFIED			SIZE DWG NO.
.00 = ±.02"			D
.000 = ±.010"			138536-3
.001 = ±.003"			REV
DO NOT SCALE DRAWING			B
SCALE	NONE	PROJ NO.	MD43300
SHEET		1 OF 6	

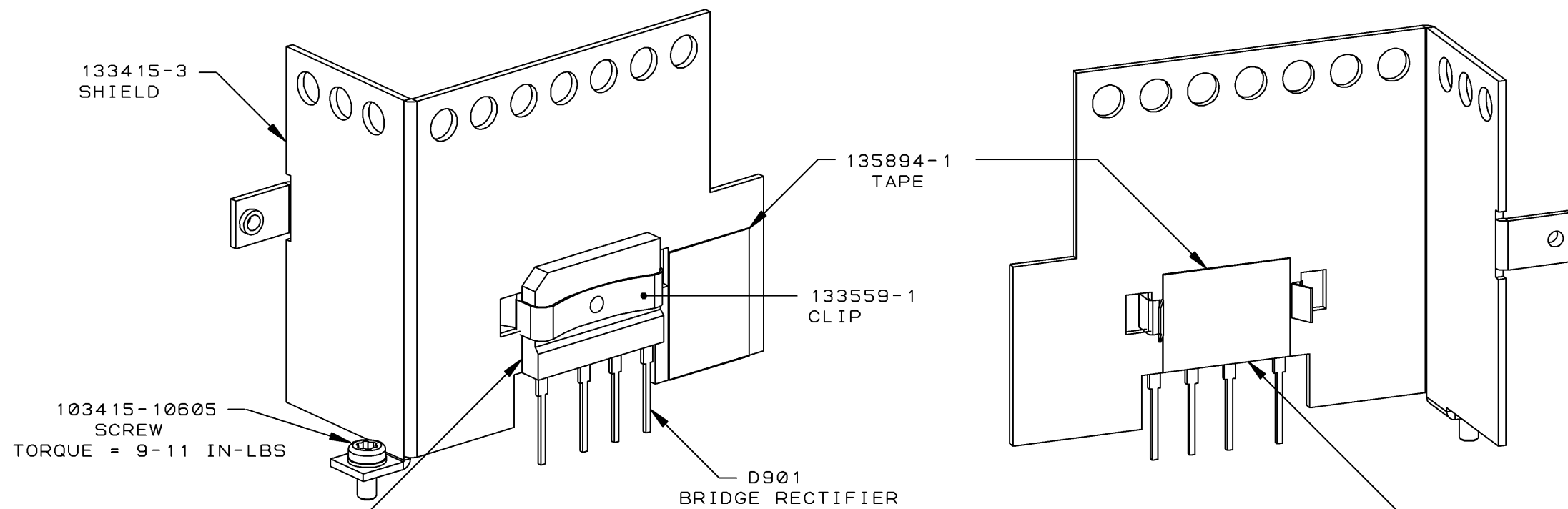
UNCONTROLLED
UNLESS OTHERWISE MARKED IN RED INK BY CM AS A
CONTROLLED COPY. COPIES OF THESE DOCUMENTS
INCLUDING ASSOCIATED ELECTRONIC REPRODUCTIONS
ARE FOR REFERENCE ONLY.
THESE DRAWINGS AND SPECIFICATIONS ARE THE
PROPERTY OF CROWN INTERNATIONAL, INC. AND
SHALL NOT BE REPRODUCED, COPIED, OR USED
AS THE BASIS FOR THE MANUFACTURE OR SALE
OF APPARATUS OR DEVICES WITHOUT PERMISSION.

TORQUE MAY NEED TO BE ADJUSTED TO ACHIEVE THE REQUIREMENTS BELOW:

1. THREADS MUST NOT BE STRIPPED.
2. THE FORCE OF THE SCREW MUST BEND THE CLIPS SO THAT THEY EITHER TOUCH OR ARE WITHIN 0.004" OF THE HEATSINK AT THE TWO PLACES INDICATED.



DETAIL "A"
SCALE 1:1



FRONT VIEW

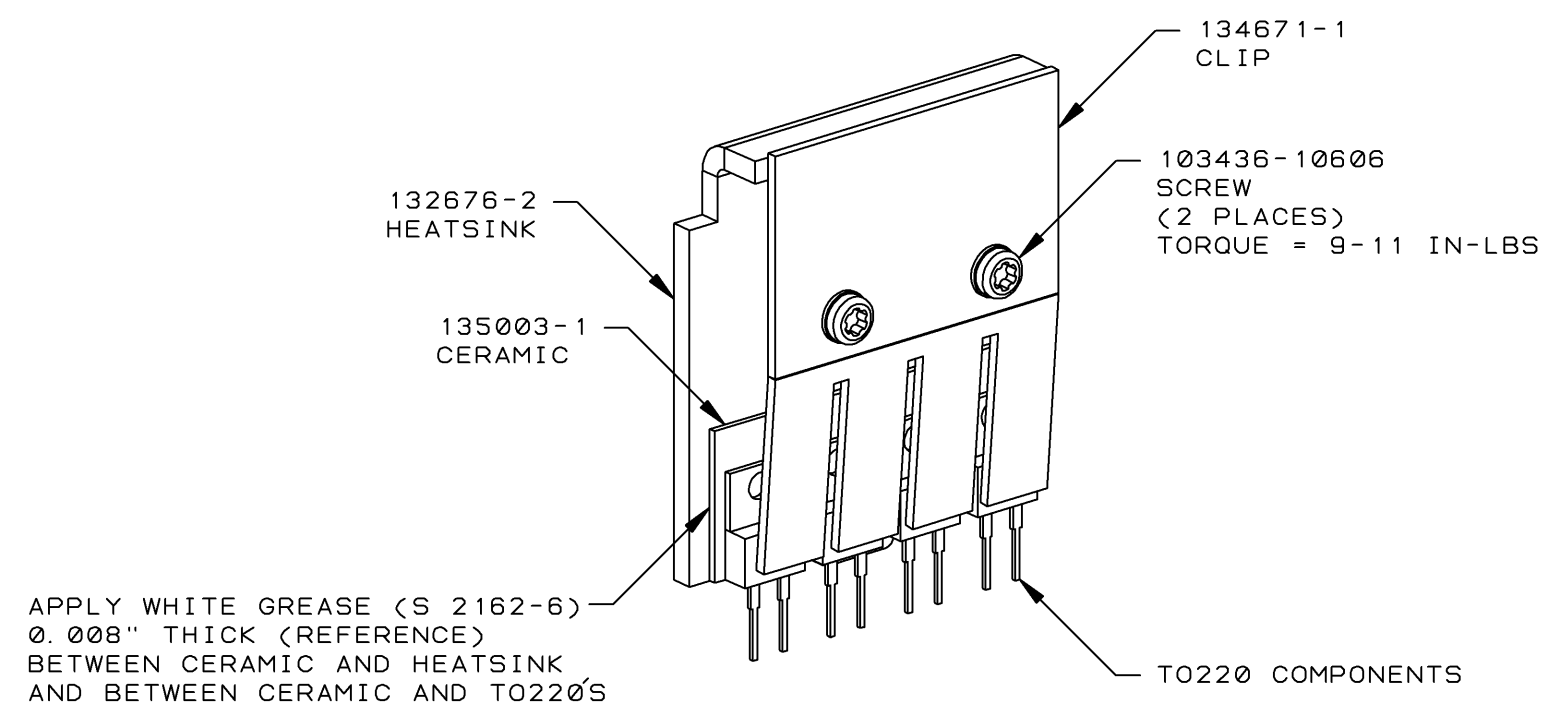
BACK VIEW

DETAIL "B"
SCALE 1:1

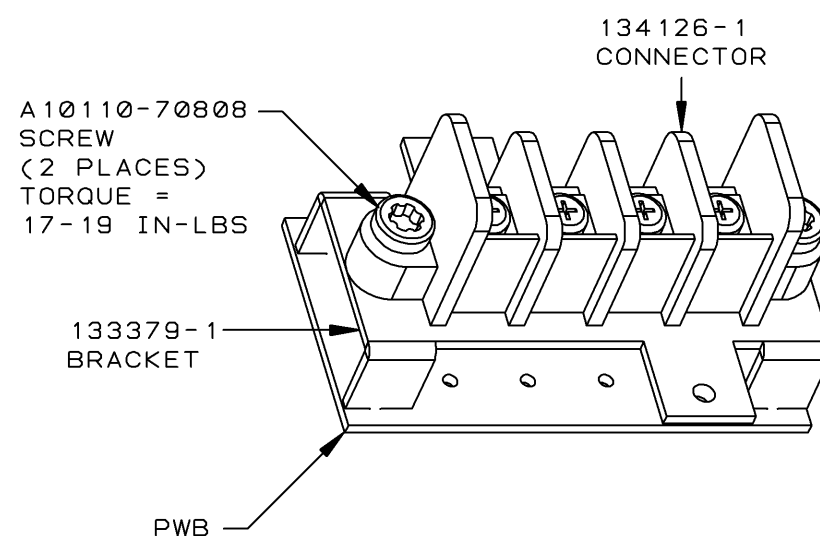
ALL METAL MUST BE COVERED BY INSULATOR ALONG THIS EDGE OF SHIELD

TORQUE MAY NEED TO BE ADJUSTED TO ACHIEVE THE REQUIREMENTS BELOW:

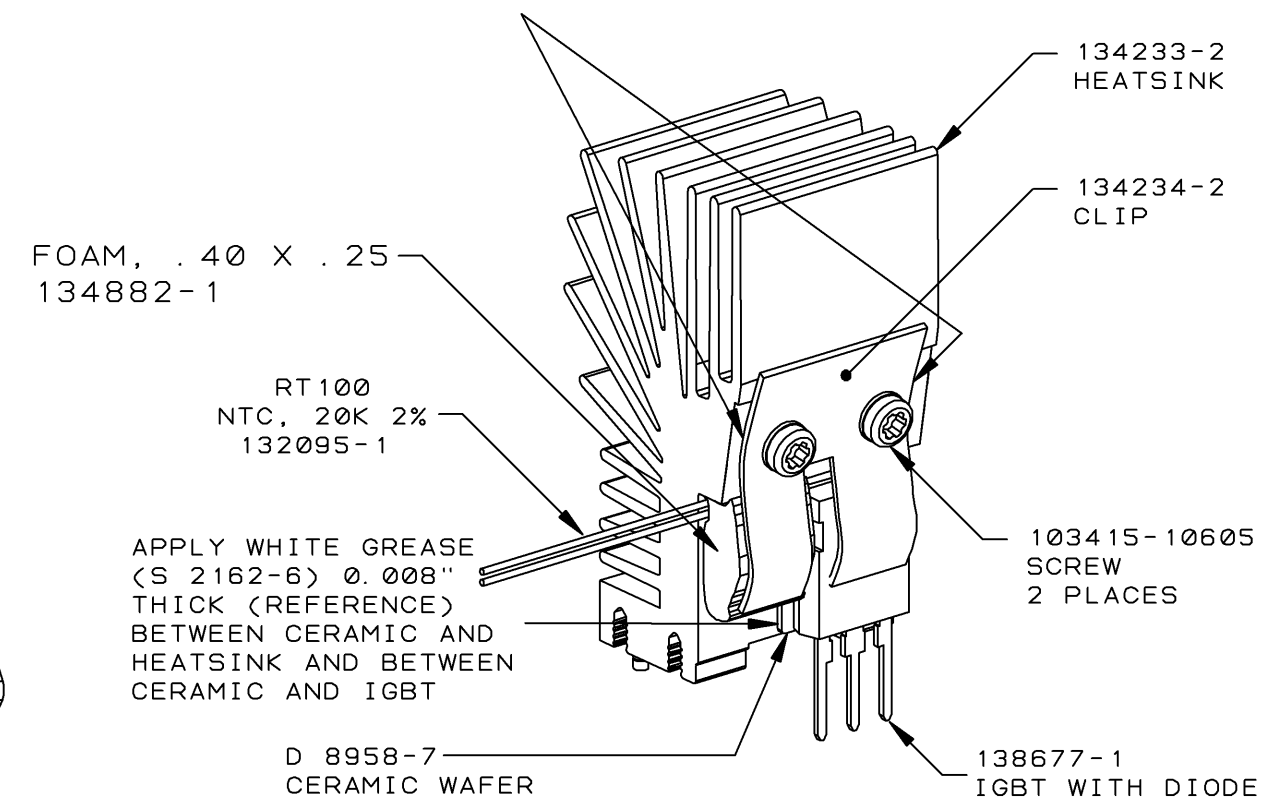
1. THREADS MUST NOT BE STRIPPED.
2. THE FORCE OF THE SCREW MUST BEND THE CLIPS SO THAT THEY EITHER TOUCH OR ARE WITHIN 0.004" OF THE HEATSINK AT THE TWO PLACES INDICATED.



DETAIL "C"
SCALE 1:1



DETAIL "D"
SCALE 1:1

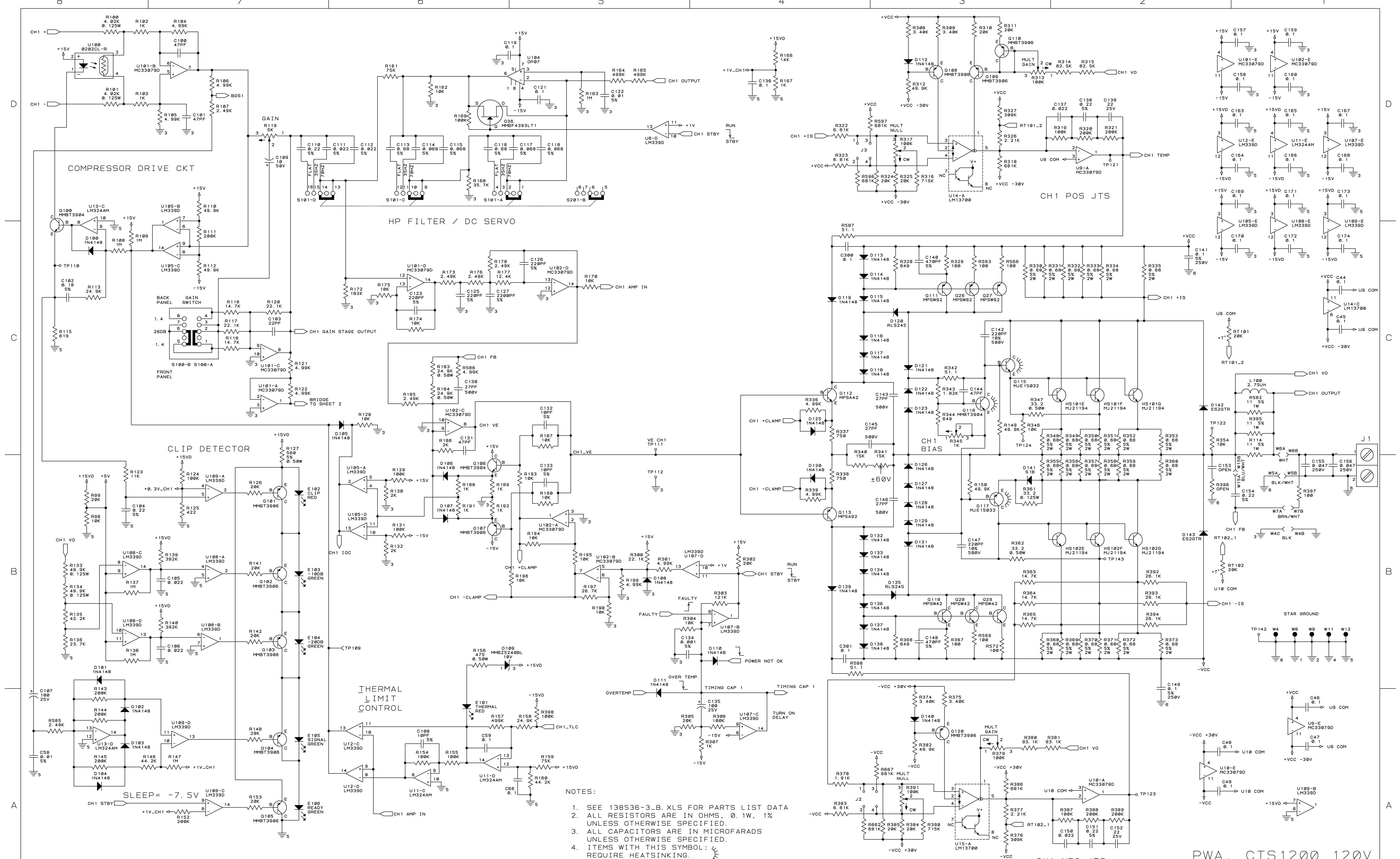


Q911 ONLY
DETAIL "E"
SCALE 1:1

UNCONTROLLED
UNLESS OTHERWISE MARKED IN RED INK BY CM AS A CONTROLLED COPY. COPIES OF THESE DOCUMENTS INCLUDING ASSOCIATED ELECTRONIC REPRODUCTIONS ARE FOR REFERENCE ONLY.

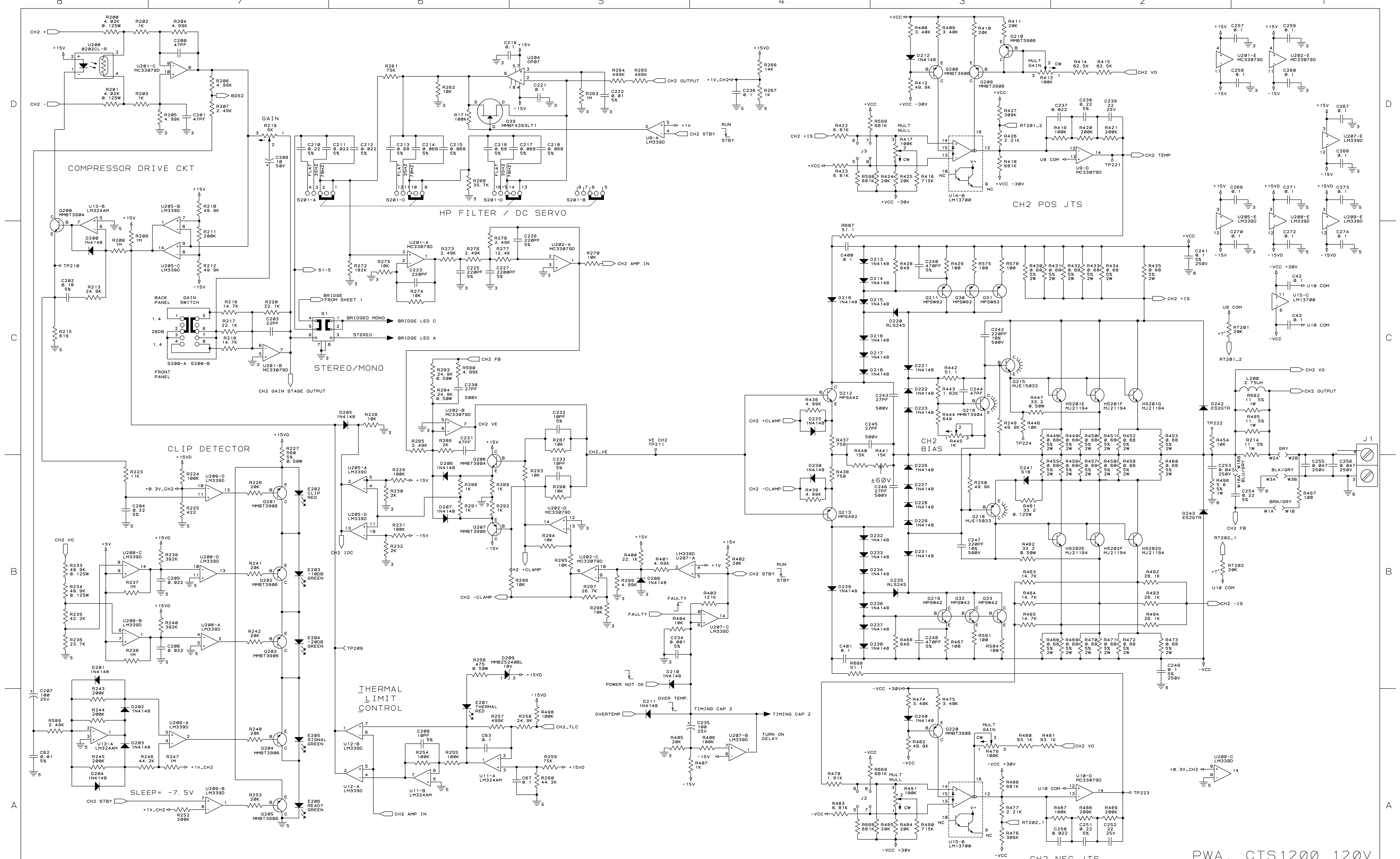
THESE DRAWINGS AND SPECIFICATIONS ARE THE PROPERTY OF CROWN INTERNATIONAL, INC. AND SHALL NOT BE REPRODUCED, COPIED, OR USED AS THE BASIS FOR THE MANUFACTURE OR SALE OF APPARATUS OR DEVICES WITHOUT PERMISSION.

SIZE	DWG NO.	REV
C	138536-3	B
SCALE NONE	PROJ NO. MD433D0	SHEET 2 OF 6



- NOTES:
1. SEE 138536-3.B.XLS FOR PARTS LIST DATA
 2. ALL RESISTORS ARE IN OHMS, Ω , 1W, 1% UNLESS OTHERWISE SPECIFIED.
 3. ALL CAPACITORS ARE IN MICROFARADS UNLESS OTHERWISE SPECIFIED.
 4. ITEMS WITH THIS SYMBOL: REQUIRE HEATSINKING.

UNCONTROLLED UNLESS OTHERWISE MARKED IN RED INK BY CM AS A CONTROLLED COPY. COPIES OF THESE DOCUMENTS INCLUDING ASSOCIATED ELECTRONIC REPRODUCTIONS ARE FOR REFERENCE ONLY.	THESE DRAWINGS AND SPECIFICATIONS ARE THE PROPERTY OF CROWN INTERNATIONAL, INC. AND SHALL NOT BE REPRODUCED, COPIED, OR USED AS THE BASIS FOR THE MANUFACTURE OR SALE OF APPARATUS OR DEVICES WITHOUT PERMISSION.	SIZE DWG NO.	REV
		D 138536-3	B
SCALE NONE	PROJ NO. MD43300	SHEET 3 OF 6	



UNCONTROLLED UNLESS OTHERWISE MARKED IN RED INK BY CM AS A CONTROLLED COPY. COPIES OF THESE DOCUMENTS INCLUDING ASSOCIATED ELECTRONIC REPRODUCTIONS ARE FOR REFERENCE ONLY.		THESE DRAWINGS AND SPECIFICATIONS ARE THE PROPERTY OF CROWN INTERNATIONAL, INC. AND SHALL NOT BE REPRODUCED, COPIED, OR USED AS THE BASIS FOR THE MANUFACTURE OR SALE OF APPARATUS OR DEVICES WITHOUT PERMISSION.		SIZE DWG NO. D 138536-3	REV B
SCALE NONE	PROJ NO. MD43300	SHEET 4	OF 6		

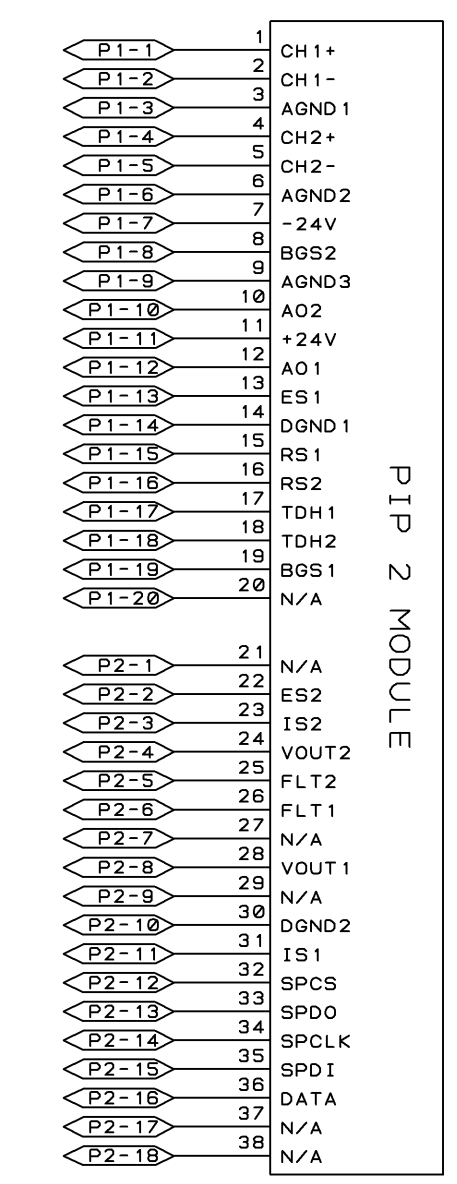
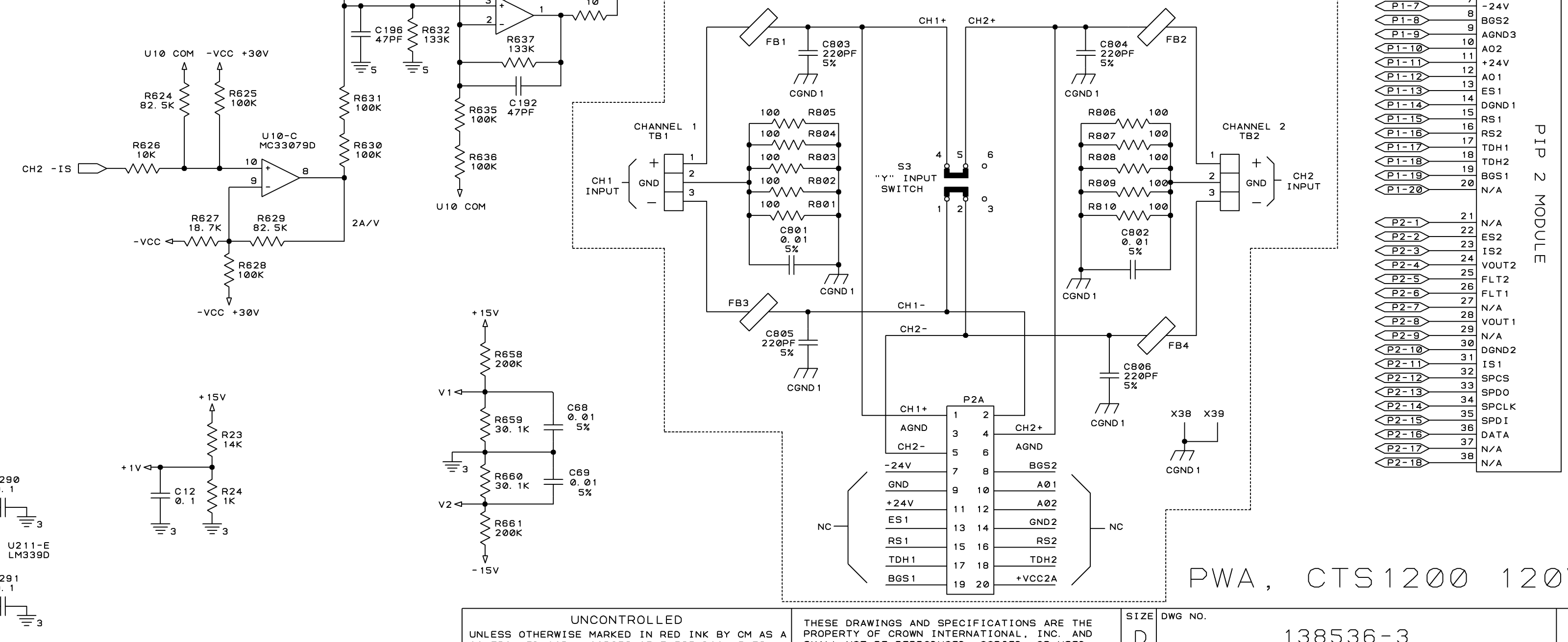
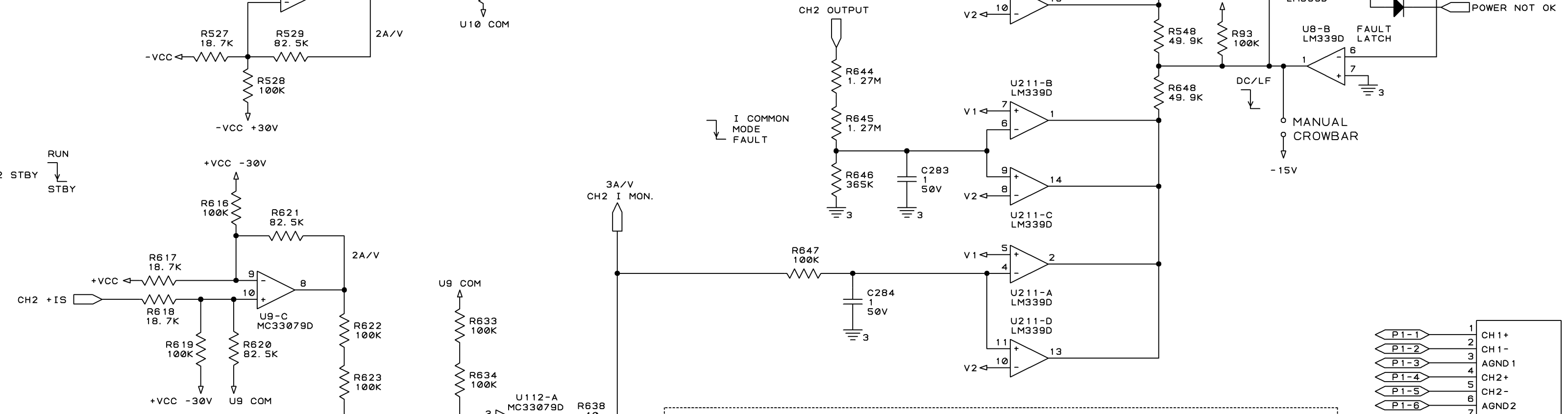
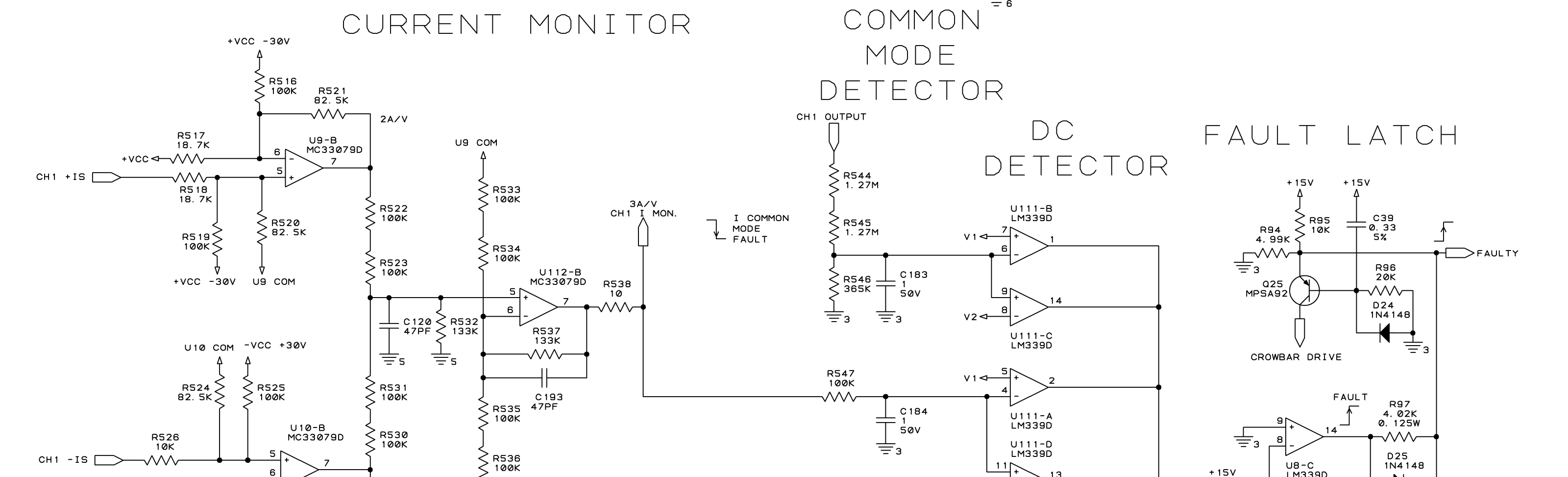
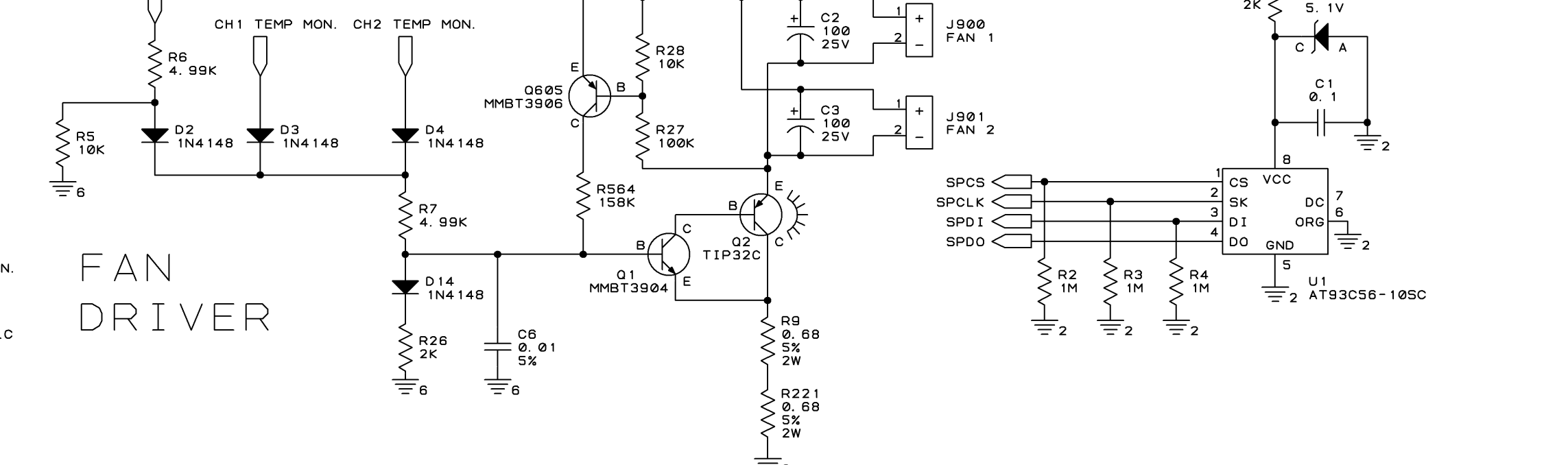
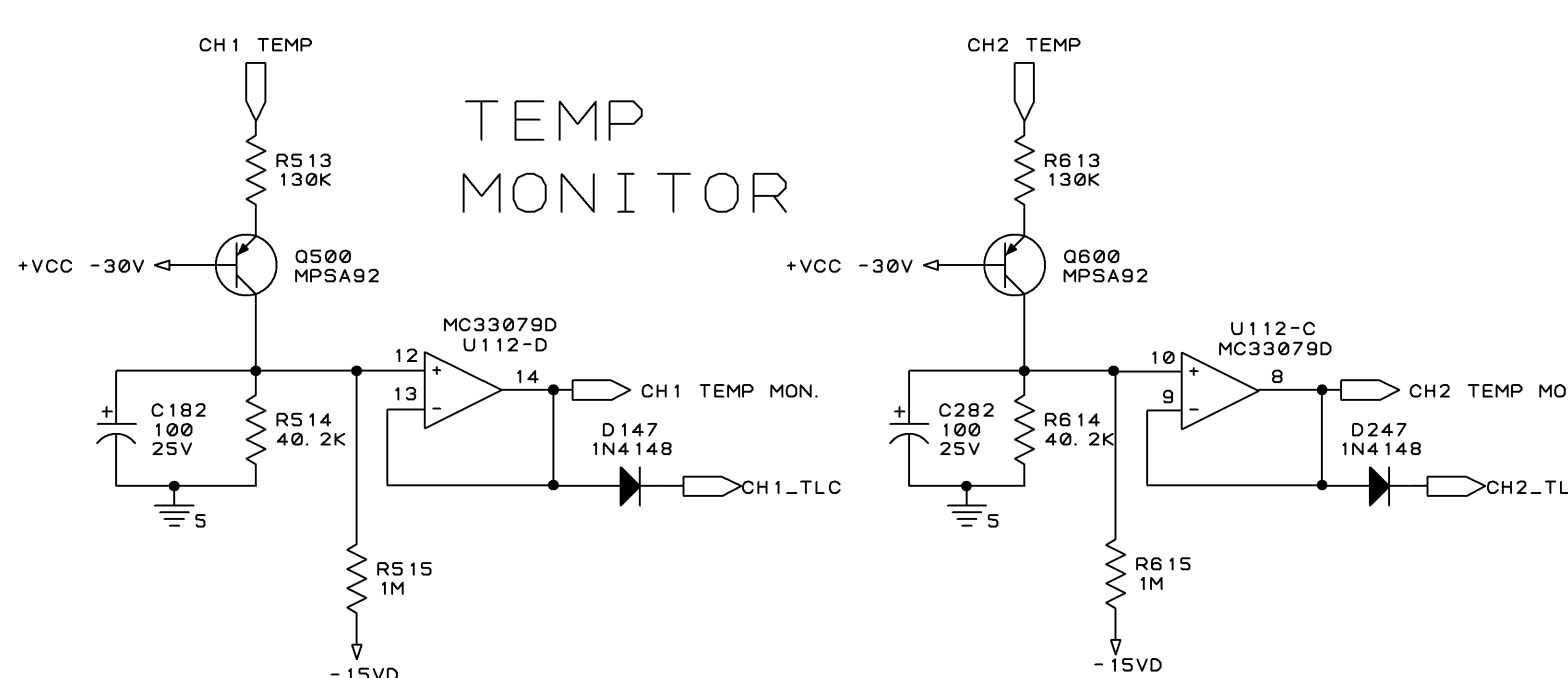
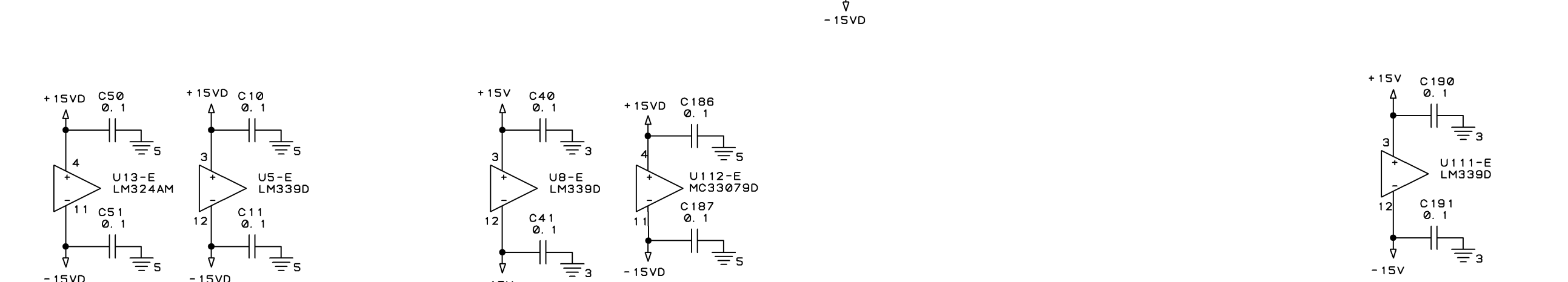
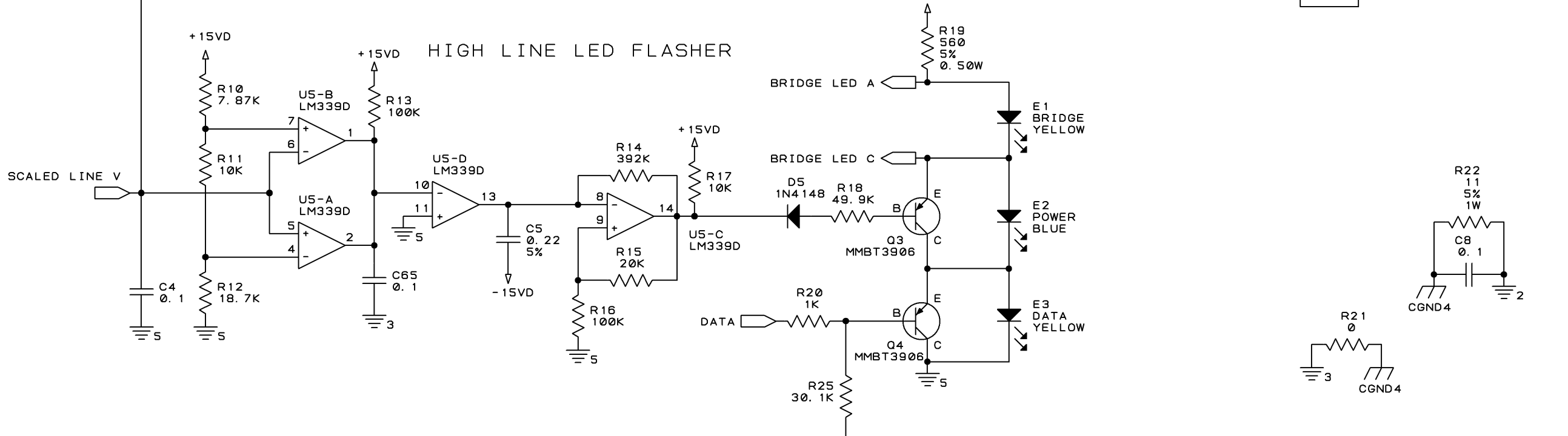
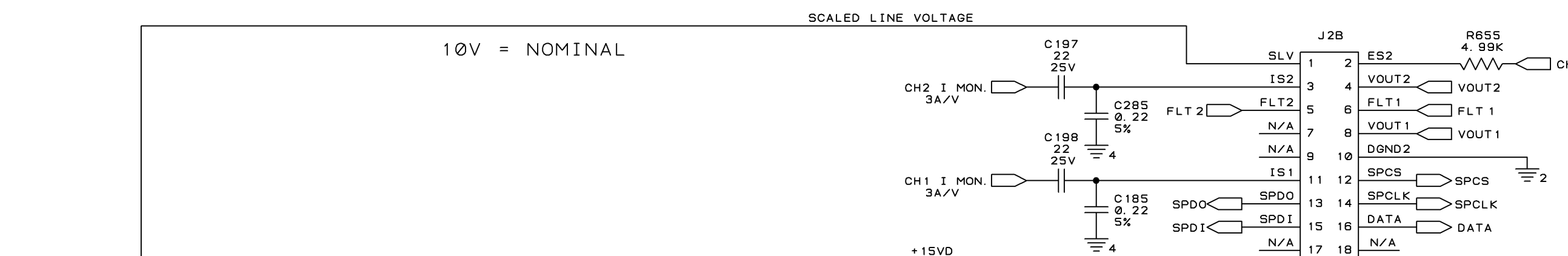
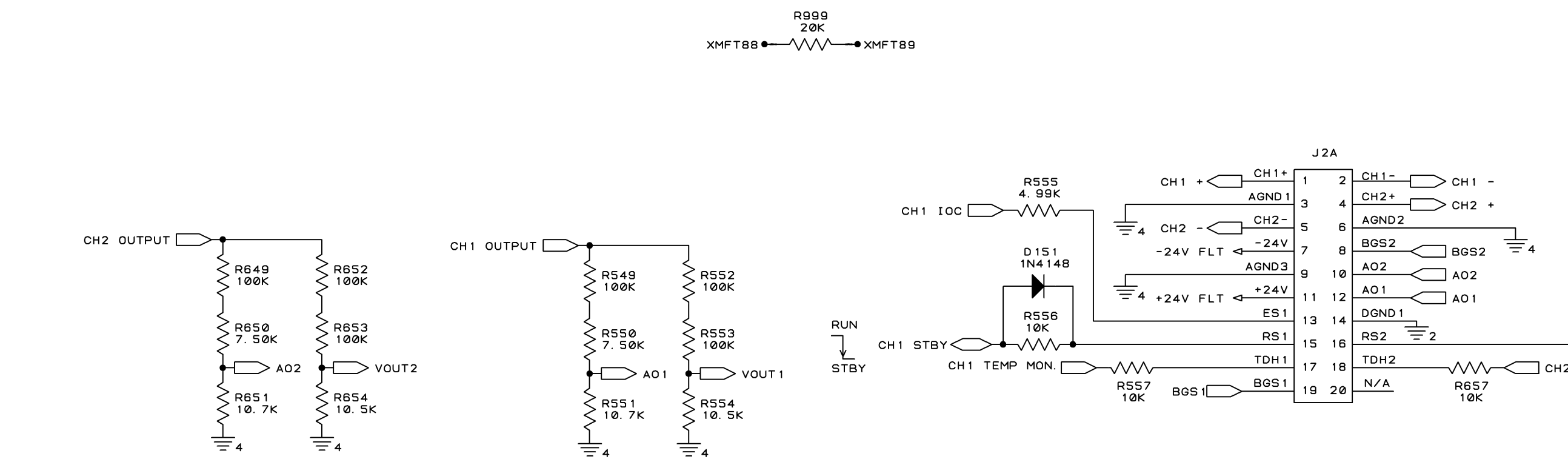
- HOT/NEUTRAL
- PRIMARY ±190V
- PRIMARY +190V
- PRIMARY -190V
- PRIMARY 0V
- GROUND
- ±120V_CH1
- ±120V_CH2
- +120V
- -120V
- ±26V

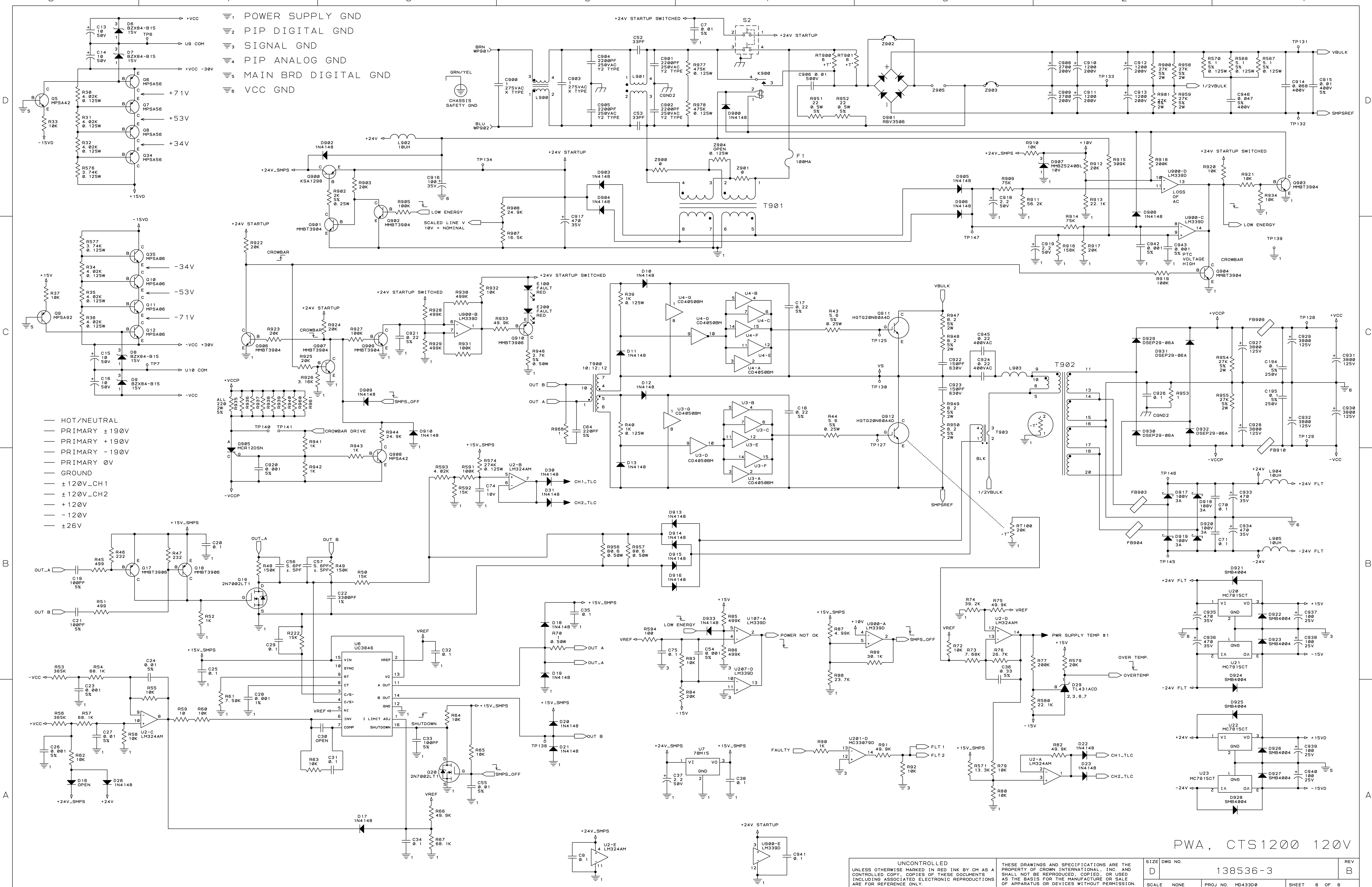
VOLTAGE SPACINGS FOR PWB 138530-3
NUMBERS ARE IN THOUSANDTHS

	HOT/NEUTRAL	PRIMARY ±190V	PRIMARY +190V	PRIMARY -190V	PRIMARY 0V	CHASSIS GROUND	±120V CH1	±120V CH2	+120V	-120V	±26V
HOT/NEUTRAL	50	50	50	50	30	100	225	225	225	225	225
PRIMARY ±190V	50	10	50	50	30	100	225	225	225	225	225
PRIMARY +190V	50	50	10	50	30	100	225	225	225	225	225
PRIMARY -190V	50	50	50	10	30	100	225	225	225	225	225
PRIMARY 0V	30	30	30	30	10	100	225	225	225	225	225
CHASSIS GROUND	100	100	100	100	100	10	20	20	20	20	10
±120V CH1	225	225	225	225	225	20	10	35	35	35	25
±120V CH2	225	225	225	225	225	20	35	10	35	35	25
+120V	225	225	225	225	225	20	35	35	10	35	20
-120V	225	225	225	225	225	20	35	35	35	10	20
±26V	225	225	225	225	225	10	25	25	20	20	10

TABLE 3
MODEL DIFFERENCE

	CTS600 100V 138532	CTS600 120V 138533	CTS600 230V 138534	CTS1200 100V 138535	CTS1200 120V 138536	CTS1200 230V 138537
R999	P/N = A11368-10011	P/N = A11368-10021	P/N = A11368-10031	P/N = A11368-20011	P/N = A11368-20021	P/N = A11368-20031





- HOT/NEUTRAL
- PRIMARY ±190V
- PRIMARY +190V
- PRIMARY -190V
- PRIMARY 0V
- GROUND
- ±120V_CH1
- ±120V_CH2
- +120V
- -120V
- ±26V

PWA, CTS1200 120V

UNCONTROLLED UNLESS OTHERWISE MARKED IN RED INK BY CM AS A CONTROLLED COPY. COPIES OF THESE DOCUMENTS INCLUDING ASSOCIATED ELECTRONIC REPRODUCTIONS ARE FOR REFERENCE ONLY.		THESE DRAWINGS AND SPECIFICATIONS ARE THE PROPERTY OF CROWN INTERNATIONAL, INC. AND SHALL NOT BE REPRODUCED, COPIED, OR USED AS THE BASIS FOR THE MANUFACTURE OR SALE OF APPARATUS OR DEVICES WITHOUT PERMISSION.		SIZE D	DWG NO. 138536-3	REV B
SCALE	NONE	PROJ NO.	MD43300	SHEET	6 OF 6	

Section 2.2
CTs1200 230V BOM (Bill of Materials)

REVISION HISTORY						
E.C.N	REV	DESCRIPTION	DATE	DWN	PE	CM
	A	INITIAL RELEASE DERIVED FROM 138537-3 REV. 2 C938 WAS ROTATED TO 90°	06/07/07	JFL	BP	DSV
34706	B	U100 & U200 WERE 139618-1 (PREPPED PART)	07/16/07	JFL	BWP	DSV

UNLESS OTHERWISE SPECIFIED, THIS PRINTED WIRING ASSEMBLY SHALL MEET THE SPECIFICATION DESCRIBED IN IPC-A-610_ CLASS 2 STANDARDS.

ROHS COMPLIANCE: THIS PART MUST COMPLY WITH CROWN AUDIO SPECIFICATION 138935 AND ROHS DIRECTIVE 2002/95/EC OR BE DEFINED AS A ROHS APPROVED EXCEPTION.

NOTES:

1. PRINTED WIRING BOARD PART NUMBER **138530-3**
2. SEE **138537-3_B.TIF** FOR SCHEMATIC AND COMPONENT MAP.
3. ALL LEADS SHALL BE TRIMMED TO 0.125" OR LESS.
4. POSITION COMPONENTS AS SHOWN ON COMPONENT MAP.
5. INSTALL CAPTIVE NUTS (**A10019-16**) TO BOTTOM OF PRINTED WIRING BOARD.
6. COAT BOTTOM SIDE OF ALUMINUM HEATSINK WITH OXIDE INHIBITOR **S 6442-8** IN 3 PLACES (SEE COMPONENT MAP).
7. INSTALL SILPAD (**132565-2**) OVER TO220 DEVICES PRIOR TO INSTALLING HEATSINK (**132644-4**) SEE COMPONENT MAP.
8. APPLY KAPTON TAPE (**135520-2**) TO BOTTOM OF HEATSINK (**132644-4**) PRIOR TO INSTALLING HEATSINK. SEE COMPONENT MAP FOR LOCATIONS.
9. COVER TOP SURFACE OF RT101, RT102, RT201, AND RT202 WITH HEATSINK COMPOUND (**S 2162-6**) PRIOR TO INSTALLING HEATSINK (**132644-4**).
10. APPLY TAPE **135894-1** TO EMI SHIELD **133415-3** SEE COMPONENT MAP FOR LOCATIONS.
11. MOVE R947 OR PREVENT R947 FROM TOUCHING HEATSINK.
12. APPLY TORQUE SEAL (**101036-1**) TO ALL POTS AFTER FINAL ADJUSTMENT.
13. ALL GRADED POWER TRANSISTORS (**102659-1**) ON A HEATSINK MUST BE OF THE SAME GRADE.

ECR PENDING



UNCONTROLLED
 UNLESS OTHERWISE MARKED IN RED INK BY CM AS A CONTROLLED COPY, COPIES OF THESE DOCUMENTS INCLUDING ASSOCIATED ELECTRONIC REPRODUCTIONS ARE FOR REFERENCE ONLY
 THESE DRAWINGS AND SPECIFICATIONS ARE THE PROPERTY OF CROWN INTERNATIONAL, INC. AND SHALL NOT BE REPRODUCED, COPIED, OR USED AS THE BASIS FOR THE MANUFACTURE OR SALE OF APPARATUS OR DEVICES WITHOUT PERMISSION.

DWN	JFL	06/07/07	PE	BP	06/07/07	CM	DSV	06/08/07	DIST.	K		
-----	-----	----------	----	----	----------	----	-----	----------	-------	---	--	--

REF. DES.	CPN	DESCRIPTION	MAP LOC.
C1	A11427-104K2	.1UF 50V CHIP CAP 10% 0805 X7R	H 11
C2	C10208-4	100.UF 25V 20% RAD ELECT T/R	K 10
C3	C10208-4	100.UF 25V 20% RAD ELECT T/R	N 13
C4	A11427-104K2	.1UF 50V CHIP CAP 10% 0805 X7R	B 1
C5	A11427-224J5	0.22UF 50V 5% X7R 1206 T/R	C 2
C6	103418-103J2	.01UF 5% 100V X7R 0805	N 12
C7	103418-103J2	.01UF 5% 100V X7R 0805	C 12
C8	A11427-104K2	.1UF 50V CHIP CAP 10% 0805 X7R	H 11
C9	A11427-104K2	.1UF 50V CHIP CAP 10% 0805 X7R	G 11
C10	A11427-104K2	.1UF 50V CHIP CAP 10% 0805 X7R	B 2
C11	A11427-104K2	.1UF 50V CHIP CAP 10% 0805 X7R	C 2
C12	A11427-104K2	.1UF 50V CHIP CAP 10% 0805 X7R	N 12
C13	C 9465-3	10UF 50V 20% VERT ELECT T/A	B 2
C14	C 9465-3	10UF 50V 20% VERT ELECT T/A	B 2
C15	C 9465-3	10UF 50V 20% VERT ELECT T/A	P 2
C16	C 9465-3	10UF 50V 20% VERT ELECT T/A	P 3
C17	A11427-224J5	0.22UF 50V 5% X7R 1206 T/R	I 9
C18	A11427-224J5	0.22UF 50V 5% X7R 1206 T/R	G 9
C19	A11369-101J2	100 PF 50V 5% NPO MLC 0805 T/R	E 10
C20	A11427-104K2	.1UF 50V CHIP CAP 10% 0805 X7R	F 10
C21	A11369-101J2	100 PF 50V 5% NPO MLC 0805 T/R	E 10
C22	A11369-332F5	3300.PF 50V 1% NPO MLC 1206	F 11
C23	A11369-102J2	.001UF 50V 5% NPO MLC 0805 T/R	F 11
C24	103418-103J2	.01UF 5% 100V X7R 0805	F 11
C25	A11427-104K2	.1UF 50V CHIP CAP 10% 0805 X7R	E 11
C26	A11369-102J2	.001UF 50V 5% NPO MLC 0805 T/R	F 10
C27	103418-103J2	.01UF 5% 100V X7R 0805	F 11
C28	A11369-102F2	1000PF 50V 1% CHIP CAP	F 11
C29	A11427-104K2	.1UF 50V CHIP CAP 10% 0805 X7R	F 11
C30		OPEN	F 11
C31	A11427-104K2	.1UF 50V CHIP CAP 10% 0805 X7R	F 11
C32	A11427-104K2	.1UF 50V CHIP CAP 10% 0805 X7R	F 11
C33	A11369-101J2	100 PF 50V 5% NPO MLC 0805 T/R	E 11
C34	A11427-104K2	.1UF 50V CHIP CAP 10% 0805 X7R	F 10
C35	A11427-104K2	.1UF 50V CHIP CAP 10% 0805 X7R	E 11
C36	139705-1	CAP, 0.33UF 50V 5% X7R 1206	G 10
C37	C 5362-6	2.2UF 50V VERT ELECT T/A	F 12
C38	A11427-104K2	.1UF 50V CHIP CAP 10% 0805 X7R	F 12
C39	139705-1	CAP, 0.33UF 50V 5% X7R 1206	M 11
C40	A11427-104K2	.1UF 50V CHIP CAP 10% 0805 X7R	M 11
C41	A11427-104K2	.1UF 50V CHIP CAP 10% 0805 X7R	M 11
C42	A11427-104K2	.1UF 50V CHIP CAP 10% 0805 X7R	O 1
C43	A11427-104K2	.1UF 50V CHIP CAP 10% 0805 X7R	N 1
C44	A11427-104K2	.1UF 50V CHIP CAP 10% 0805 X7R	F 1
C45	A11427-104K2	.1UF 50V CHIP CAP 10% 0805 X7R	F 1
C46	A11427-104K2	.1UF 50V CHIP CAP 10% 0805 X7R	D 2
C47	A11427-104K2	.1UF 50V CHIP CAP 10% 0805 X7R	E 2
C48	A11427-104K2	.1UF 50V CHIP CAP 10% 0805 X7R	P 2
C49	A11427-104K2	.1UF 50V CHIP CAP 10% 0805 X7R	Q 2
C50	A11427-104K2	.1UF 50V CHIP CAP 10% 0805 X7R	K 2
C51	A11427-104K2	.1UF 50V CHIP CAP 10% 0805 X7R	K 2
C52	A11369-330J2	33 PF 50V 5% NPO MLC 0805	B 8
C53	A11369-330J2	33 PF 50V 5% NPO MLC 0805	B 9
C54	A11369-102J2	.001UF 50V 5% NPO MLC 0805 T/R	M 12
C55	103418-103J2	.01UF 5% 100V X7R 0805	E 11
C56	A11369-5R6D2	5.6PF 50V +/- .5PF NPO MLC 0805	F 10

C57	A11369-5R6D2	5.6PF 50V +/- .5PF NPO MLC 0805	F 10
C58	103418-103J2	.01UF 5% 100V X7R 0805	K 3
C59	A11427-104K2	.1UF 50V CHIP CAP 10% 0805 X7R	J 2
C62	103418-103J2	.01UF 5% 100V X7R 0805	K 2
C63	A11427-104K2	.1UF 50V CHIP CAP 10% 0805 X7R	J 2
C64	A11369-221J2	220 PF 50V 5% NPO MLC 0805 T/R	H 10
C65	A11427-104K2	.1UF 50V CHIP CAP 10% 0805 X7R	N 13
C66	A11427-104K2	.1UF 50V CHIP CAP 10% 0805 X7R	J 2
C67	A11427-104K2	.1UF 50V CHIP CAP 10% 0805 X7R	J 2
C68	103418-103J2	.01UF 5% 100V X7R 0805	P 11
C69	103418-103J2	.01UF 5% 100V X7R 0805	O 11
C70	A11427-104K2	.1UF 50V CHIP CAP 10% 0805 X7R	E 7
C71	A11427-104K2	.1UF 50V CHIP CAP 10% 0805 X7R	E 7
C74	133875-1	CAP, 1UF 10% 10V X7R 0805 SMT	F 12
C75	A11427-104K2	.1UF 50V CHIP CAP 10% 0805 X7R	M 12
C100	A11369-470K2	47PF 50V 10% NPO 0805 T/R	J 13
C101	A11369-470K2	47PF 50V 10% NPO 0805 T/R	J 13
C102	A11427-184J5	0.18UF 50V 5% X7R 1206 T/R	K 2
C103	A11369-220J2	22 PF 5% 50V NPO CER CHIP	J 13
C104	A11427-224J5	0.22UF 50V 5% X7R 1206 T/R	L 2
C105	A11427-223K5	0.022UF 50V 10% 1206 T/R	M 1
C106	A11427-223K5	0.022UF 50V 10% 1206 T/R	M 1
C107	C10208-4	100.UF 25V 20% RAD ELECT T/R	K 2
C108	A11369-100J2	CAP, 10PF 5% 50V SMT 0805	J 2
C109	C 9465-3	10UF 50V 20% VERT ELECT T/A	K 13
C110	C10466-8	.22UF 50V 5% MTL FILM RDL T/A	K 13
C111	C10501-2	.022UF 50V 5% POLYESTER T/R	K 13
C112	C10501-2	.022UF 50V 5% POLYESTER T/R	K 13
C113	131788-1	CAP, 0.68UF 50V 5% METAL FILM	K 13
C114	131787-1	CAP, 0.068UF 50V 5% METAL FILM	K 13
C115	131787-1	CAP, 0.068UF 50V 5% METAL FILM	K 13
C116	131788-1	CAP, 0.68UF 50V 5% METAL FILM	L 13
C117	131787-1	CAP, 0.068UF 50V 5% METAL FILM	L 13
C118	131787-1	CAP, 0.068UF 50V 5% METAL FILM	L 13
C119	A11427-104K2	.1UF 50V CHIP CAP 10% 0805 X7R	L 13
C120	A11369-470K2	47PF 50V 10% NPO 0805 T/R	E 1
C121	A11427-104K2	.1UF 50V CHIP CAP 10% 0805 X7R	K 12
C122	103418-103J2	.01UF 5% 100V X7R 0805	K 13
C123	A11369-221J2	220 PF 50V 5% NPO MLC 0805 T/R	J 13
C125	A11369-221J2	220 PF 50V 5% NPO MLC 0805 T/R	J 12
C126	A11369-221J2	220 PF 50V 5% NPO MLC 0805 T/R	K 12
C127	A11369-222J2	CAP, 2200PF 50V NPO 5% 0805	K 12
C130	132637-1	CAP, 27PF 10% 500V NPO 1206	K 11
C131	A11369-470K2	47PF 50V 10% NPO 0805 T/R	K 12
C132	A11369-100J2	CAP, 10PF 5% 50V SMT 0805	K 12
C133	A11369-100J2	CAP, 10PF 5% 50V SMT 0805	K 11
C134	A11369-102J2	.001UF 50V 5% NPO MLC 0805 T/R	N 12
C135	C10208-4	100.UF 25V 20% RAD ELECT T/R	M 12
C136	A11427-104K2	.1UF 50V CHIP CAP 10% 0805 X7R	M 2
C137	C10501-2	.022UF 50V 5% POLYESTER T/R	D 2
C138	A11427-224J5	0.22UF 50V 5% X7R 1206 T/R	D 2
C139	125817-1	22UF 25V 20% NP VERT T/R	D 3
C140	A11369-471J2	CAP, 470PF 5% 50V SMT 0805	P 10
C141	A10434-104JD	.1UF 250V 5% MTL POLY FILM T/A	Q 3
C142	138706-1	CAP, 220PF 5% 500V NPO 1206	O 7
C143	132637-1	CAP, 27PF 10% 500V NPO 1206	P 9
C144	A11369-470K2	47PF 50V 10% NPO 0805 T/R	N 6
C145	132637-1	CAP, 27PF 10% 500V NPO 1206	P 7
C146	132637-1	CAP, 27PF 10% 500V NPO 1206	P 9

C147	138706-1	CAP, 220PF 5% 500V NPO 1206	K 7
C148	A11369-471J2	CAP, 470PF 5% 50V SMT 0805	O 10
C149	A10434-104JD	.1UF 250V 5% MTL POLY FILM T/A	M 3
C150	C10501-2	.022UF 50V 5% POLYESTER T/R	P 2
C151	A11427-224J5	0.22UF 50V 5% X7R 1206 T/R	P 2
C152	125817-1	22UF 25V 20% NP VERT T/R	P 3
C153		OPEN	K 7
C154	C10466-8	.22UF 50V 5% MTL FILM RDL T/A	K 11
C155	A10434-473JD	.047UF 250VDC 5% MET POLY T/A	N 16
C156	A10434-473JD	.047UF 250VDC 5% MET POLY T/A	N 15
C157	A11427-104K2	.1UF 50V CHIP CAP 10% 0805 X7R	J 13
C158	A11427-104K2	.1UF 50V CHIP CAP 10% 0805 X7R	J 13
C159	A11427-104K2	.1UF 50V CHIP CAP 10% 0805 X7R	J 12
C160	A11427-104K2	.1UF 50V CHIP CAP 10% 0805 X7R	K 12
C163	A11427-104K2	.1UF 50V CHIP CAP 10% 0805 X7R	J 2
C164	A11427-104K2	.1UF 50V CHIP CAP 10% 0805 X7R	J 2
C165	A11427-104K2	.1UF 50V CHIP CAP 10% 0805 X7R	J 2
C166	A11427-104K2	.1UF 50V CHIP CAP 10% 0805 X7R	J 2
C167	A11427-104K2	.1UF 50V CHIP CAP 10% 0805 X7R	M 12
C168	A11427-104K2	.1UF 50V CHIP CAP 10% 0805 X7R	N 12
C169	A11427-104K2	.1UF 50V CHIP CAP 10% 0805 X7R	J 13
C170	A11427-104K2	.1UF 50V CHIP CAP 10% 0805 X7R	K 13
C171	A11427-104K2	.1UF 50V CHIP CAP 10% 0805 X7R	M 2
C172	A11427-104K2	.1UF 50V CHIP CAP 10% 0805 X7R	N 2
C173	A11427-104K2	.1UF 50V CHIP CAP 10% 0805 X7R	L 2
C174	A11427-104K2	.1UF 50V CHIP CAP 10% 0805 X7R	M 3
C182	C10208-4	100.UF 25V 20% RAD ELECT T/R	G 3
C183	C 8894-5	1UF 50V VERT 10% NP ELECT T/R	P 11
C184	C 8894-5	1UF 50V VERT 10% NP ELECT T/R	P 11
C185	A11427-224J5	0.22UF 50V 5% X7R 1206 T/R	I 12
C186	A11427-104K2	.1UF 50V CHIP CAP 10% 0805 X7R	F 3
C187	A11427-104K2	.1UF 50V CHIP CAP 10% 0805 X7R	F 3
C190	A11427-104K2	.1UF 50V CHIP CAP 10% 0805 X7R	P 11
C191	A11427-104K2	.1UF 50V CHIP CAP 10% 0805 X7R	P 11
C192	A11369-470K2	47PF 50V 10% NPO 0805 T/R	F 3
C193	A11369-470K2	47PF 50V 10% NPO 0805 T/R	F 3
C194	A10434-104JD	.1UF 250V 5% MTL POLY FILM T/A	B 3
C195	A10434-104JD	.1UF 250V 5% MTL POLY FILM T/A	B 5
C196	A11369-470K2	47PF 50V 10% NPO 0805 T/R	E 1
C197	125817-1	22UF 25V 20% NP VERT T/R	K 10
C198	125817-1	22UF 25V 20% NP VERT T/R	J 10
C200	A11369-470K2	47PF 50V 10% NPO 0805 T/R	H 13
C201	A11369-470K2	47PF 50V 10% NPO 0805 T/R	I 13
C202	A11427-184J5	0.18UF 50V 5% X7R 1206 T/R	J 2
C203	A11369-220J2	22 PF 5% 50V NPO CER CHIP	H 13
C204	A11427-224J5	0.22UF 50V 5% X7R 1206 T/R	H 1
C205	A11427-223K5	0.022UF 50V 10% 1206 T/R	H 2
C206	A11427-223K5	0.022UF 50V 10% 1206 T/R	G 2
C207	C10208-4	100.UF 25V 20% RAD ELECT T/R	K 2
C208	A11369-100J2	CAP, 10PF 5% 50V SMT 0805	J 2
C209	C 9465-3	10UF 50V 20% VERT ELECT T/A	H 13
C210	C10466-8	.22UF 50V 5% MTL FILM RDL T/A	G 13
C211	C10501-2	.022UF 50V 5% POLYESTER T/R	G 13
C212	C10501-2	.022UF 50V 5% POLYESTER T/R	G 13
C213	131788-1	CAP, 0.68UF 50V 5% METAL FILM	G 13
C214	131787-1	CAP, 0.068UF 50V 5% METAL FILM	G 13
C215	131787-1	CAP, 0.068UF 50V 5% METAL FILM	G 13
C216	131788-1	CAP, 0.68UF 50V 5% METAL FILM	G 13
C217	131787-1	CAP, 0.068UF 50V 5% METAL FILM	G 13

C218	131787-1	CAP, 0.068UF 50V 5% METAL FILM	G 13
C219	A11427-104K2	.1UF 50V CHIP CAP 10% 0805 X7R	G 13
C221	A11427-104K2	.1UF 50V CHIP CAP 10% 0805 X7R	G 12
C222	103418-103J2	.01UF 5% 100V X7R 0805	G 12
C223	A11369-221J2	220 PF 50V 5% NPO MLC 0805 T/R	H 13
C225	A11369-221J2	220 PF 50V 5% NPO MLC 0805 T/R	H 12
C226	A11369-221J2	220 PF 50V 5% NPO MLC 0805 T/R	G 12
C227	A11369-222J2	CAP, 2200PF 50V NPO 5% 0805	G 12
C230	132637-1	CAP, 27PF 10% 500V NPO 1206	G 11
C231	A11369-470K2	47PF 50V 10% NPO 0805 T/R	G 12
C232	A11369-100J2	CAP, 10PF 5% 50V SMT 0805	H 12
C233	A11369-100J2	CAP, 10PF 5% 50V SMT 0805	H 11
C234	A11369-102J2	.001UF 50V 5% NPO MLC 0805 T/R	L 12
C235	C10208-4	100.UF 25V 20% RAD ELECT T/R	M 12
C236	A11427-104K2	.1UF 50V CHIP CAP 10% 0805 X7R	H 2
C237	C10501-2	.022UF 50V 5% POLYESTER T/R	E 2
C238	A11427-224J5	0.22UF 50V 5% X7R 1206 T/R	E 2
C239	125817-1	22UF 25V 20% NP VERT T/R	E 3
C240	A11369-471J2	CAP, 470PF 5% 50V SMT 0805	P 8
C241	A10434-104JD	.1UF 250V 5% MTL POLY FILM T/A	I 3
C242	138706-1	CAP, 220PF 5% 500V NPO 1206	G 7
C243	132637-1	CAP, 27PF 10% 500V NPO 1206	O 8
C244	A11369-470K2	47PF 50V 10% NPO 0805 T/R	G 6
C245	132637-1	CAP, 27PF 10% 500V NPO 1206	P 9
C246	132637-1	CAP, 27PF 10% 500V NPO 1206	O 8
C247	138706-1	CAP, 220PF 5% 500V NPO 1206	C 7
C248	A11369-471J2	CAP, 470PF 5% 50V SMT 0805	O 8
C249	A10434-104JD	.1UF 250V 5% MTL POLY FILM T/A	C 3
C250	C10501-2	.022UF 50V 5% POLYESTER T/R	Q 2
C251	A11427-224J5	0.22UF 50V 5% X7R 1206 T/R	Q 2
C252	125817-1	22UF 25V 20% NP VERT T/R	Q 3
C253	A10434-473JD	.047UF 250VDC 5% MET POLY T/A	I 7
C254	C10466-8	.22UF 50V 5% MTL FILM RDL T/A	G 11
C255	A10434-473JD	.047UF 250VDC 5% MET POLY T/A	M 16
C256	A10434-473JD	.047UF 250VDC 5% MET POLY T/A	M 15
C257	A11427-104K2	.1UF 50V CHIP CAP 10% 0805 X7R	H 13
C258	A11427-104K2	.1UF 50V CHIP CAP 10% 0805 X7R	I 13
C259	A11427-104K2	.1UF 50V CHIP CAP 10% 0805 X7R	G 12
C260	A11427-104K2	.1UF 50V CHIP CAP 10% 0805 X7R	H 12
C267	A11427-104K2	.1UF 50V CHIP CAP 10% 0805 X7R	L 12
C268	A11427-104K2	.1UF 50V CHIP CAP 10% 0805 X7R	M 12
C269	A11427-104K2	.1UF 50V CHIP CAP 10% 0805 X7R	G 13
C270	A11427-104K2	.1UF 50V CHIP CAP 10% 0805 X7R	H 13
C271	A11427-104K2	.1UF 50V CHIP CAP 10% 0805 X7R	G 2
C272	A11427-104K2	.1UF 50V CHIP CAP 10% 0805 X7R	H 2
C273	A11427-104K2	.1UF 50V CHIP CAP 10% 0805 X7R	H 2
C274	A11427-104K2	.1UF 50V CHIP CAP 10% 0805 X7R	I 2
C282	C10208-4	100.UF 25V 20% RAD ELECT T/R	F 3
C283	C 8894-5	1UF 50V VERT 10% NP ELECT T/R	O 11
C284	C 8894-5	1UF 50V VERT 10% NP ELECT T/R	O 11
C285	A11427-224J5	0.22UF 50V 5% X7R 1206 T/R	J 11
C290	A11427-104K2	.1UF 50V CHIP CAP 10% 0805 X7R	O 11
C291	A11427-104K2	.1UF 50V CHIP CAP 10% 0805 X7R	O 11
C300	A11427-104K2	.1UF 50V CHIP CAP 10% 0805 X7R	P 9
C301	A11427-104K2	.1UF 50V CHIP CAP 10% 0805 X7R	O 9
C400	A11427-104K2	.1UF 50V CHIP CAP 10% 0805 X7R	P 8
C401	A11427-104K2	.1UF 50V CHIP CAP 10% 0805 X7R	N 8
C801	103418-103J2	.01UF 5% 100V X7R 0805	K 15
C802	103418-103J2	.01UF 5% 100V X7R 0805	I 15

C803	A11369-221J2	220 PF 50V 5% NPO MLC 0805 T/R	K 15
C804	A11369-221J2	220 PF 50V 5% NPO MLC 0805 T/R	I 15
C805	A11369-221J2	220 PF 50V 5% NPO MLC 0805 T/R	J 15
C806	A11369-221J2	220 PF 50V 5% NPO MLC 0805 T/R	H 15
C900	137030-1	CAP, 1UF X2 REDUCED SIZE	B 13
C901	138359-1	PRP, C10325-6 2200PF 250V .125	C 8
C902	138359-1	PRP, C10325-6 2200PF 250V .125	C 8
C903	137030-1	CAP, 1UF X2 REDUCED SIZE	B 7
C904	138359-1	PRP, C10325-6 2200PF 250V .125	B 13
C905	138359-1	PRP, C10325-6 2200PF 250V .125	B 12
C906	130636-103J5	0.01UF 500V 5% X7R 1206 T/R	B 9
C908	134163-1	CAP, 2700UF 20% 200V ELECT	L 8
C909	134163-1	CAP, 2700UF 20% 200V ELECT	M 9
C910	131310-2	CAP, 1200UF 200VDC PC MNT ELECT	J 8
C911	131310-2	CAP, 1200UF 200VDC PC MNT ELECT	J 9
C912	131310-2	CAP, 1200UF 200VDC PC MNT ELECT	K 8
C913	131310-2	CAP, 1200UF 200VDC PC MNT ELECT	K 9
C914	125434-1	CAP, .068UF 400V FILM POLYESTER	J 9
C915	131312-1	0.01UF 400V 5% MET POLY RAD	I 9
C916	C 8576-8	100UF 35V 10% ALUM ELECT T/A	G 7
C917	C 4477-3	470 UF 35V VERT	E 12
C918	C 5362-6	2.2UF 50V VERT ELECT T/A	C 11
C919	C 5362-6	2.2UF 50V VERT ELECT T/A	D 12
C920	A11369-102J2	.001UF 50V 5% NPO MLC 0805 T/R	A 7
C921	A11427-224J5	0.22UF 50V 5% X7R 1206 T/R	E 12
C922	A10432-151KF	150PF 630VDC 10% PROP CAP T/A	I 8
C923	A10432-151KF	150PF 630VDC 10% PROP CAP T/A	H 9
C924	138679-1	PRP, 134115-1 .22UF 630V .125	G 8
C925	A10432-151KF	150PF 630VDC 10% PROP CAP T/A	D 10
C926	A11427-104K2	.1UF 50V CHIP CAP 10% 0805 X7R	F 7
C927	133323-1	CAP, 3800UF 125V ALUM ELECT	B 3
C928	133323-1	CAP, 3800UF 125V ALUM ELECT	B 4
C929	133323-1	CAP, 3800UF 125V ALUM ELECT	Q 11
C930	133323-1	CAP, 3800UF 125V ALUM ELECT	Q 9
C931	133323-1	CAP, 3800UF 125V ALUM ELECT	Q 10
C932	133323-1	CAP, 3800UF 125V ALUM ELECT	Q 8
C933	C 4477-3	470 UF 35V VERT	E 7
C934	C 4477-3	470 UF 35V VERT	E 7
C935	C 4477-3	470 UF 35V VERT	F 7
C936	C 4477-3	470 UF 35V VERT	E 7
C937	C10208-4	100.UF 25V 20% RAD ELECT T/R	Q 7
C938	C10208-4	100.UF 25V 20% RAD ELECT T/R	N 7
C939	C10208-4	100.UF 25V 20% RAD ELECT T/R	F 7
C940	C10208-4	100.UF 25V 20% RAD ELECT T/R	I 7
C941	A11427-104K2	.1UF 50V CHIP CAP 10% 0805 X7R	E 12
C942	A11369-102J2	.001UF 50V 5% NPO MLC 0805 T/R	D 12
C943	A11369-102J2	.001UF 50V 5% NPO MLC 0805 T/R	D 12
C945	138679-1	PRP, 134115-1 .22UF 630V .125	H 8
C946	134382-1	CAP, 0.047UF 5% 400V POLYESTER	I 9
D1	C 9773-0	DIODE, ZENER 5.1V 1N5231 SMT	H 11
D2	C 7478-8	1N4148 MINIMELF CHIP DIODE T/R	N 11
D3	C 7478-8	1N4148 MINIMELF CHIP DIODE T/R	N 11
D4	C 7478-8	1N4148 MINIMELF CHIP DIODE T/R	N 11
D5	C 7478-8	1N4148 MINIMELF CHIP DIODE T/R	C 2
D6	133272-1	DIODE, ZENER 250MW 15V SOT23	B 2
D7	133272-1	DIODE, ZENER 250MW 15V SOT23	B 2
D8	133272-1	DIODE, ZENER 250MW 15V SOT23	O 3
D9	133272-1	DIODE, ZENER 250MW 15V SOT23	O 2
D10	C 7478-8	1N4148 MINIMELF CHIP DIODE T/R	I 9

D11	C 7478-8	1N4148 MINIMELF CHIP DIODE T/R	I 9
D12	C 7478-8	1N4148 MINIMELF CHIP DIODE T/R	G 9
D13	C 7478-8	1N4148 MINIMELF CHIP DIODE T/R	G 9
D14	C 7478-8	1N4148 MINIMELF CHIP DIODE T/R	N 12
D16		OPEN	G 11
D17	C 7478-8	1N4148 MINIMELF CHIP DIODE T/R	F 11
D18	C 7478-8	1N4148 MINIMELF CHIP DIODE T/R	F 12
D19	C 7478-8	1N4148 MINIMELF CHIP DIODE T/R	E 12
D20	C 7478-8	1N4148 MINIMELF CHIP DIODE T/R	F 11
D21	C 7478-8	1N4148 MINIMELF CHIP DIODE T/R	E 11
D22	C 7478-8	1N4148 MINIMELF CHIP DIODE T/R	G 10
D23	C 7478-8	1N4148 MINIMELF CHIP DIODE T/R	G 10
D24	C 7478-8	1N4148 MINIMELF CHIP DIODE T/R	M 11
D25	C 7478-8	1N4148 MINIMELF CHIP DIODE T/R	M 12
D26	C 7478-8	1N4148 MINIMELF CHIP DIODE T/R	G 11
D29	132558-1	DIODE, TL431ACD ADJ SMT REF	G 11
D30	C 7478-8	1N4148 MINIMELF CHIP DIODE T/R	H 10
D31	C 7478-8	1N4148 MINIMELF CHIP DIODE T/R	H 10
D100	C 7478-8	1N4148 MINIMELF CHIP DIODE T/R	K 2
D101	C 7478-8	1N4148 MINIMELF CHIP DIODE T/R	K 2
D102	C 7478-8	1N4148 MINIMELF CHIP DIODE T/R	K 2
D103	C 7478-8	1N4148 MINIMELF CHIP DIODE T/R	K 2
D104	C 7478-8	1N4148 MINIMELF CHIP DIODE T/R	K 2
D105	C 7478-8	1N4148 MINIMELF CHIP DIODE T/R	K 13
D106	C 7478-8	1N4148 MINIMELF CHIP DIODE T/R	L 11
D107	C 7478-8	1N4148 MINIMELF CHIP DIODE T/R	K 11
D108	C 7478-8	1N4148 MINIMELF CHIP DIODE T/R	J 12
D109	C10370-2	DIODE, ZENER 10V MMBZ5240BL	L 2
D110	C 7478-8	1N4148 MINIMELF CHIP DIODE T/R	M 13
D111	C 7478-8	1N4148 MINIMELF CHIP DIODE T/R	M 12
D112	C 7478-8	1N4148 MINIMELF CHIP DIODE T/R	F 2
D113	C 7478-8	1N4148 MINIMELF CHIP DIODE T/R	P 10
D114	C 7478-8	1N4148 MINIMELF CHIP DIODE T/R	P 10
D115	C 7478-8	1N4148 MINIMELF CHIP DIODE T/R	P 10
D116	C 7478-8	1N4148 MINIMELF CHIP DIODE T/R	P 10
D117	C 7478-8	1N4148 MINIMELF CHIP DIODE T/R	P 10
D118	C 7478-8	1N4148 MINIMELF CHIP DIODE T/R	P 9
D119	C 7478-8	1N4148 MINIMELF CHIP DIODE T/R	P 9
D120	133264-1	DIODE, 250V SWITCH MINIMELF	P 10
D121	C 7478-8	1N4148 MINIMELF CHIP DIODE T/R	Q 10
D122	C 7478-8	1N4148 MINIMELF CHIP DIODE T/R	P 9
D123	C 7478-8	1N4148 MINIMELF CHIP DIODE T/R	P 9
D125	C 7478-8	1N4148 MINIMELF CHIP DIODE T/R	P 9
D126	C 7478-8	1N4148 MINIMELF CHIP DIODE T/R	P 7
D127	C 7478-8	1N4148 MINIMELF CHIP DIODE T/R	P 8
D128	C 7478-8	1N4148 MINIMELF CHIP DIODE T/R	P 8
D129	C 7478-8	1N4148 MINIMELF CHIP DIODE T/R	P 8
D130	C 7478-8	1N4148 MINIMELF CHIP DIODE T/R	P 9
D131	C 7478-8	1N4148 MINIMELF CHIP DIODE T/R	O 10
D132	C 7478-8	1N4148 MINIMELF CHIP DIODE T/R	O 9
D133	C 7478-8	1N4148 MINIMELF CHIP DIODE T/R	O 9
D134	C 7478-8	1N4148 MINIMELF CHIP DIODE T/R	O 9
D135	133264-1	DIODE, 250V SWITCH MINIMELF	O 10
D136	C 7478-8	1N4148 MINIMELF CHIP DIODE T/R	O 10
D137	C 7478-8	1N4148 MINIMELF CHIP DIODE T/R	O 10
D138	C 7478-8	1N4148 MINIMELF CHIP DIODE T/R	O 10
D139	C 7478-8	1N4148 MINIMELF CHIP DIODE T/R	O 9
D140	C 7478-8	1N4148 MINIMELF CHIP DIODE T/R	N 2
D141	C10067-4	DIODE, 1A 100V SILICON SMT T/R	L 7

D142	131613-1	DIODE, 50A FAST T/R	Q 7
D143	131613-1	DIODE, 50A FAST T/R	P 7
D147	C 7478-8	1N4148 MINIMELF CHIP DIODE T/R	J 3
D151	C 7478-8	1N4148 MINIMELF CHIP DIODE T/R	L 11
D200	C 7478-8	1N4148 MINIMELF CHIP DIODE T/R	K 2
D201	C 7478-8	1N4148 MINIMELF CHIP DIODE T/R	J 3
D202	C 7478-8	1N4148 MINIMELF CHIP DIODE T/R	K 3
D203	C 7478-8	1N4148 MINIMELF CHIP DIODE T/R	K 3
D204	C 7478-8	1N4148 MINIMELF CHIP DIODE T/R	J 3
D205	C 7478-8	1N4148 MINIMELF CHIP DIODE T/R	G 13
D206	C 7478-8	1N4148 MINIMELF CHIP DIODE T/R	G 11
D207	C 7478-8	1N4148 MINIMELF CHIP DIODE T/R	G 11
D208	C 7478-8	1N4148 MINIMELF CHIP DIODE T/R	H 12
D209	C10370-2	DIODE, ZENER 10V MMBZ5240BL	I 2
D210	C 7478-8	1N4148 MINIMELF CHIP DIODE T/R	M 13
D211	C 7478-8	1N4148 MINIMELF CHIP DIODE T/R	M 12
D212	C 7478-8	1N4148 MINIMELF CHIP DIODE T/R	G 2
D213	C 7478-8	1N4148 MINIMELF CHIP DIODE T/R	O 7
D214	C 7478-8	1N4148 MINIMELF CHIP DIODE T/R	O 7
D215	C 7478-8	1N4148 MINIMELF CHIP DIODE T/R	O 7
D216	C 7478-8	1N4148 MINIMELF CHIP DIODE T/R	O 9
D217	C 7478-8	1N4148 MINIMELF CHIP DIODE T/R	O 9
D218	C 7478-8	1N4148 MINIMELF CHIP DIODE T/R	O 9
D219	C 7478-8	1N4148 MINIMELF CHIP DIODE T/R	P 8
D220	133264-1	DIODE, 250V SWITCH MINIMELF	O 7
D221	C 7478-8	1N4148 MINIMELF CHIP DIODE T/R	O 7
D222	C 7478-8	1N4148 MINIMELF CHIP DIODE T/R	O 8
D223	C 7478-8	1N4148 MINIMELF CHIP DIODE T/R	O 8
D225	C 7478-8	1N4148 MINIMELF CHIP DIODE T/R	O 9
D226	C 7478-8	1N4148 MINIMELF CHIP DIODE T/R	O 8
D227	C 7478-8	1N4148 MINIMELF CHIP DIODE T/R	O 8
D228	C 7478-8	1N4148 MINIMELF CHIP DIODE T/R	N 8
D229	C 7478-8	1N4148 MINIMELF CHIP DIODE T/R	N 7
D230	C 7478-8	1N4148 MINIMELF CHIP DIODE T/R	O 9
D231	C 7478-8	1N4148 MINIMELF CHIP DIODE T/R	N 7
D232	C 7478-8	1N4148 MINIMELF CHIP DIODE T/R	O 8
D233	C 7478-8	1N4148 MINIMELF CHIP DIODE T/R	O 8
D234	C 7478-8	1N4148 MINIMELF CHIP DIODE T/R	O 8
D235	133264-1	DIODE, 250V SWITCH MINIMELF	N 7
D236	C 7478-8	1N4148 MINIMELF CHIP DIODE T/R	O 8
D237	C 7478-8	1N4148 MINIMELF CHIP DIODE T/R	O 8
D238	C 7478-8	1N4148 MINIMELF CHIP DIODE T/R	O 8
D239	C 7478-8	1N4148 MINIMELF CHIP DIODE T/R	O 8
D240	C 7478-8	1N4148 MINIMELF CHIP DIODE T/R	O 2
D241	C10067-4	DIODE, 1A 100V SILICON SMT T/R	D 7
D242	131613-1	DIODE, 50A FAST T/R	I 7
D243	131613-1	DIODE, 50A FAST T/R	C 7
D247	C 7478-8	1N4148 MINIMELF CHIP DIODE T/R	J 3
D251	C 7478-8	1N4148 MINIMELF CHIP DIODE T/R	L 12
D900	C 7478-8	1N4148 MINIMELF CHIP DIODE T/R	D 11
D901	125770-1	RECT, 35A 600V PC MNT BRIDGE	B 9
D901A	133559-1	CLIP, INLINE RECTIFIER	B 9
D901B	133415-3	SHIELD, EMI	B 9
D901C	103415-10605	SCR, #6-32X.312 SEMS TFS CONE	B 7
D902	C 7478-8	1N4148 MINIMELF CHIP DIODE T/R	D 12
D903	C 7478-8	1N4148 MINIMELF CHIP DIODE T/R	C 11
D904	C 7478-8	1N4148 MINIMELF CHIP DIODE T/R	C 12
D905	C 7478-8	1N4148 MINIMELF CHIP DIODE T/R	C 11
D906	C 7478-8	1N4148 MINIMELF CHIP DIODE T/R	C 12

D907	C10370-2	DIODE, ZENER 10V MMBZ5240BL	E 12
D908	C 7478-8	1N4148 MINIMELF CHIP DIODE T/R	D 12
D909	C 7478-8	1N4148 MINIMELF CHIP DIODE T/R	E 10
D910	C 7478-8	1N4148 MINIMELF CHIP DIODE T/R	E 10
D913	C 7478-8	1N4148 MINIMELF CHIP DIODE T/R	E 11
D914	C 7478-8	1N4148 MINIMELF CHIP DIODE T/R	E 11
D915	C 7478-8	1N4148 MINIMELF CHIP DIODE T/R	D 11
D916	C 7478-8	1N4148 MINIMELF CHIP DIODE T/R	D 11
D917	134827-1	DIODE, SCHOTTKY 100V 3A SMC	C 7
D918	134827-1	DIODE, SCHOTTKY 100V 3A SMC	D 7
D919	134827-1	DIODE, SCHOTTKY 100V 3A SMC	D 7
D920	134827-1	DIODE, SCHOTTKY 100V 3A SMC	E 7
D921	125594-1	DIODE, RECTIFIER 400V 1A SMB	Q 7
D922	125594-1	DIODE, RECTIFIER 400V 1A SMB	Q 7
D923	125594-1	DIODE, RECTIFIER 400V 1A SMB	M 7
D924	125594-1	DIODE, RECTIFIER 400V 1A SMB	M 7
D925	125594-1	DIODE, RECTIFIER 400V 1A SMB	E 7
D926	125594-1	DIODE, RECTIFIER 400V 1A SMB	F 7
D927	125594-1	DIODE, RECTIFIER 400V 1A SMB	I 7
D928	125594-1	DIODE, RECTIFIER 400V 1A SMB	J 7
D929	138676-1	PRP, 132039-1 (DSEP29-06A).300	B 6
D930	138676-1	PRP, 132039-1 (DSEP29-06A).300	B 5
D931	138676-1	PRP, 132039-1 (DSEP29-06A).300	B 7
D932	138676-1	PRP, 132039-1 (DSEP29-06A).300	B 6
D933	C 7478-8	1N4148 MINIMELF CHIP DIODE T/R	M 12
E1	136345-1	LED, YELLOW 1206 INNER LENS	C 2
E2	136344-1	LED, BLUE 1206 INNER LENS	C 2
E3	136345-1	LED, YELLOW 1206 INNER LENS	C 2
E100	136342-1	LED, RED 1206 INNER LENS	L 2
E101	136342-1	LED, RED 1206 INNER LENS	L 2
E102	136342-1	LED, RED 1206 INNER LENS	L 2
E103	136343-1	LED, GREEN 1206 INNER LENS	L 2
E104	136343-1	LED, GREEN 1206 INNER LENS	L 2
E105	136343-1	LED, GREEN 1206 INNER LENS	L 2
E106	136343-1	LED, GREEN 1206 INNER LENS	L 3
E200	136342-1	LED, RED 1206 INNER LENS	I 2
E201	136342-1	LED, RED 1206 INNER LENS	I 2
E202	136342-1	LED, RED 1206 INNER LENS	I 2
E203	136343-1	LED, GREEN 1206 INNER LENS	I 2
E204	136343-1	LED, GREEN 1206 INNER LENS	I 2
E205	136343-1	LED, GREEN 1206 INNER LENS	I 2
E206	136343-1	LED, GREEN 1206 INNER LENS	I 3
F1	A10285-51	FUSE, 40MA 250V 5X20 SLO-BLOW	A 12
F1X	134380-1	FUSE CLIP, PC MNT 5MM T/A	A 12
F1XX	134380-1	FUSE CLIP, PC MNT 5MM T/A	A 11
FB1	125846-1	FERRITE BEAD, 600 OHM .5A 0805	K 15
FB2	125846-1	FERRITE BEAD, 600 OHM .5A 0805	I 15
FB3	125846-1	FERRITE BEAD, 600 OHM .5A 0805	J 15
FB4	125846-1	FERRITE BEAD, 600 OHM .5A 0805	H 15
FB903	134836-1	FERRITE, SMT BEAD 50 OHM	D 7
FB904	134836-1	FERRITE, SMT BEAD 50 OHM	D 7
FB909	135081-2	JUMPER, 14 AWG W/BEAD	B 3
FB910	135081-2	JUMPER, 14 AWG W/BEAD	B 5
HS1	132676-2	HS, TO-220 BRIDGE	B 6
HS1A	103415-10605	SCR, #6-32X.312 SEMS TFS CONE	B 6
HS1B	103436-10606	SCR, 6-32X.375 MACH TORX SEMS	B 6
HS1C	103436-10606	SCR, 6-32X.375 MACH TORX SEMS	B 5
HS1D	135003-1	INSULATOR, CER 2.10X0.85X.04	B 6
HS1E	134671-1	CLIP, 4 FINGER STAINLESS	B 6

HS101	132644-4	HS, 3 X TO-3 ALUM EXT	P 4
HS101A	103415-70608	SCREW,6-32 X.5 TORX PNHD SEM	P 4
HS101B	103415-70608	SCREW,6-32 X.5 TORX PNHD SEM	O 6
HS101C	103415-70608	SCREW,6-32 X.5 TORX PNHD SEM	Q 6
HS101D	133930-1	CLIP, TEE BAR	D 6
HS101E	102659-1	NPN, TO-3 MJ21194 PWR	O 5
HS101F	102659-1	NPN, TO-3 MJ21194 PWR	P 5
HS101G	102659-1	NPN, TO-3 MJ21194 PWR	Q 5
HS101H	131029-10604	SCR,#6-32X0.250 THREAD ROLL	N 4
HS101I	131029-10604	SCR,#6-32X0.250 THREAD ROLL	O 5
HS101J	131029-10604	SCR,#6-32X0.250 THREAD ROLL	P 4
HS101K	131029-10604	SCR,#6-32X0.250 THREAD ROLL	Q 5
HS101L	131029-10604	SCR,#6-32X0.250 THREAD ROLL	Q 4
HS101M	131029-10604	SCR,#6-32X0.250 THREAD ROLL	R 5
HS102	132644-4	HS, 3 X TO-3 ALUM EXT	L 4
HS102A	103415-70608	SCREW,6-32 X.5 TORX PNHD SEM	L 4
HS102B	103415-70608	SCREW,6-32 X.5 TORX PNHD SEM	K 6
HS102C	103415-70608	SCREW,6-32 X.5 TORX PNHD SEM	M 6
HS102D	133930-1	CLIP, TEE BAR	H 6
HS102E	102659-1	NPN, TO-3 MJ21194 PWR	K 5
HS102F	102659-1	NPN, TO-3 MJ21194 PWR	L 5
HS102G	102659-1	NPN, TO-3 MJ21194 PWR	M 5
HS102H	131029-10604	SCR,#6-32X0.250 THREAD ROLL	J 4
HS102I	131029-10604	SCR,#6-32X0.250 THREAD ROLL	K 5
HS102J	131029-10604	SCR,#6-32X0.250 THREAD ROLL	L 4
HS102K	131029-10604	SCR,#6-32X0.250 THREAD ROLL	M 5
HS102L	131029-10604	SCR,#6-32X0.250 THREAD ROLL	M 4
HS102M	131029-10604	SCR,#6-32X0.250 THREAD ROLL	N 5
HS201	132644-4	HS, 3 X TO-3 ALUM EXT	H 4
HS201A	103415-70608	SCREW,6-32 X.5 TORX PNHD SEM	H 4
HS201B	103415-70608	SCREW,6-32 X.5 TORX PNHD SEM	H 6
HS201C	103415-70608	SCREW,6-32 X.5 TORX PNHD SEM	I 6
HS201D	133930-1	CLIP, TEE BAR	L 6
HS201E	102659-1	NPN, TO-3 MJ21194 PWR	G 5
HS201F	102659-1	NPN, TO-3 MJ21194 PWR	H 5
HS201G	102659-1	NPN, TO-3 MJ21194 PWR	I 5
HS201H	131029-10604	SCR,#6-32X0.250 THREAD ROLL	G 4
HS201I	131029-10604	SCR,#6-32X0.250 THREAD ROLL	H 5
HS201J	131029-10604	SCR,#6-32X0.250 THREAD ROLL	H 4
HS201K	131029-10604	SCR,#6-32X0.250 THREAD ROLL	I 5
HS201L	131029-10604	SCR,#6-32X0.250 THREAD ROLL	I 4
HS201M	131029-10604	SCR,#6-32X0.250 THREAD ROLL	J 5
HS202	132644-4	HS, 3 X TO-3 ALUM EXT	D 4
HS202A	103415-70608	SCREW,6-32 X.5 TORX PNHD SEM	D 4
HS202B	103415-70608	SCREW,6-32 X.5 TORX PNHD SEM	D 6
HS202C	103415-70608	SCREW,6-32 X.5 TORX PNHD SEM	E 6
HS202D	133930-1	CLIP, TEE BAR	P 6
HS202E	102659-1	NPN, TO-3 MJ21194 PWR	C 5
HS202F	102659-1	NPN, TO-3 MJ21194 PWR	D 5
HS202G	102659-1	NPN, TO-3 MJ21194 PWR	E 5
HS202H	131029-10604	SCR,#6-32X0.250 THREAD ROLL	C 4
HS202I	131029-10604	SCR,#6-32X0.250 THREAD ROLL	D 5
HS202J	131029-10604	SCR,#6-32X0.250 THREAD ROLL	D 4
HS202K	131029-10604	SCR,#6-32X0.250 THREAD ROLL	E 5
HS202L	131029-10604	SCR,#6-32X0.250 THREAD ROLL	E 4
HS202M	131029-10604	SCR,#6-32X0.250 THREAD ROLL	F 5
HW1	101016-1	LBL, BARCODE	Q 12
HW2	133379-1	BRACKET, BARRIER STRIP	M 15
HW3	A10019-16	6 X 32 PCB CAPTIVE NUT	B 6

HW4	A10019-16	6 X 32 PCB CAPTIVE NUT	B 7
HW5	132565-2	SILPAD, 1.0 X 15.2 W/ADHESIVE	P 6
HW6	101016-1	LBL, BARCODE	O 11
HW7	135894-1	TAPE, .06X1X.75" W/ADHESIVE	B 10
HW8	135894-1	TAPE, .06X1X.75" W/ADHESIVE	B 9
HW10	A10110-70808	8-32 X .5 PNHD PH TAPTITE BLK	L 15
HW11	A10110-70808	8-32 X .5 PNHD PH TAPTITE BLK	N 15
HW12	135520-2	TAPE, 3/8" ROUND KAPTON 2MIL	D 5
HW13	135520-2	TAPE, 3/8" ROUND KAPTON 2MIL	H 5
HW14	135520-2	TAPE, 3/8" ROUND KAPTON 2MIL	L 5
HW15	135520-2	TAPE, 3/8" ROUND KAPTON 2MIL	P 5
HW16	C 8812-7	TIE, CABLE 5.5" OR MORE 18 LB	I 3
HW17	C 8812-7	TIE, CABLE 5.5" OR MORE 18 LB	M 3
HW18	C 8812-7	TIE, CABLE 5.5" OR MORE 18 LB	O 2
HW19	C 8812-7	TIE, CABLE 5.5" OR MORE 18 LB	R 2
J1	134126-1	BB, 4P PC MNT 8-32 W/MNT ENDS	M 15
J2	132551-1	RECEPT, 8PIN VERT .1 CTRS SMD	O 1
J2A	139941-1	CBL, 20PIN 9" MOLDED PICOFLEX	I 12
J2B	139940-1	CBL, 18PIN 9" MOLDED PICOFLEX	I 11
J3	132551-1	RECEPT, 8PIN VERT .1 CTRS SMD	F 1
J900	101571-1	HDR, 2 POS .1 CTR MTA SHRD	K 10
J901	101571-1	HDR, 2 POS .1 CTR MTA SHRD	N 13
K900	C10335-5	RELAY 30A 24V T90 SEALED CE	C 11
L100	102470-1	INDUCTOR, 2.75UH 11A RADIAL	N 3
L200	102470-1	INDUCTOR, 2.75UH 11A RADIAL	H 3
L900	134514-1	CHOKER, COMMON MODE 1.5MH 11A	B 12
L901	132045-1	CHOKER, COMMON MODE	B 9
L902	127988-1	CHOKER, 10UH <0.1OHM SMT .3" DIA	G 7
L903	132046-2	INDUCTOR, 1.65UH	F 9
L904	127988-1	CHOKER, 10UH <0.1OHM SMT .3" DIA	F 7
L905	127988-1	CHOKER, 10UH <0.1OHM SMT .3" DIA	J 7
P2A	C10570-7	20 PIN HDR PICOFLEX TIN	I 15
PWB1	138530-3	PWB, CTS600/1200	A 1
Q1	C 7448-1	MMBT3904 CHIP NPN	N 12
Q2	138674-1	PRP, 133282-1/C9918-1 (TIP32C)	N 12
Q3	125798-1	XSTR,MMBT3906 LT3 10K REEL	C 2
Q4	125798-1	XSTR,MMBT3906 LT3 10K REEL	C 2
Q5	C 3810-6	MPSA42 300V NPN T/R	C 3
Q6	C 3954-2	MPSA56 80V PNP T/R	A 2
Q7	C 3954-2	MPSA56 80V PNP T/R	A 2
Q8	C 3954-2	MPSA56 80V PNP T/R	B 2
Q9	501972-1	MPSA92 300V PNP T/A	O 2
Q10	C 3528-4	MPSA06 80V NPN T/R	O 2
Q11	C 3528-4	MPSA06 80V NPN T/R	O 2
Q12	C 3528-4	MPSA06 80V NPN T/R	O 3
Q17	125798-1	XSTR,MMBT3906 LT3 10K REEL	F 10
Q18	125798-1	XSTR,MMBT3906 LT3 10K REEL	F 10
Q19	C10421-3	FET, 60V N-CH 2N7002LT1 SOT-23	F 10
Q20	C10421-3	FET, 60V N-CH 2N7002LT1 SOT-23	F 11
Q25	501972-1	MPSA92 300V PNP T/A	N 11
Q26	C 8104-9	MPSW92 300V 1 WATT PNP T/R	P 10
Q27	C 8104-9	MPSW92 300V 1 WATT PNP T/R	P 10
Q28	C 8103-1	MPSW42 300V 1 WATT NPN T/R	O 10
Q29	C 8103-1	MPSW42 300V 1 WATT NPN T/R	O 10
Q30	C 8104-9	MPSW92 300V 1 WATT PNP T/R	P 8
Q31	C 8104-9	MPSW92 300V 1 WATT PNP T/R	P 8
Q32	C 8103-1	MPSW42 300V 1 WATT NPN T/R	O 8
Q33	C 8103-1	MPSW42 300V 1 WATT NPN T/R	O 8
Q34	C 3954-2	MPSA56 80V PNP T/R	A 2

Q35	C 3528-4	MPSA06 80V NPN T/R	N 2
Q36	134833-1	FET, N-CH JFET 30V SOT-23	L 12
Q39	134833-1	FET, N-CH JFET 30V SOT-23	G 12
Q100	C 7448-1	MMBT3904 CHIP NPN	K 2
Q101	125798-1	XSTR,MMBT3906 LT3 10K REEL	L 2
Q102	125798-1	XSTR,MMBT3906 LT3 10K REEL	L 2
Q103	125798-1	XSTR,MMBT3906 LT3 10K REEL	L 2
Q104	125798-1	XSTR,MMBT3906 LT3 10K REEL	L 2
Q105	125798-1	XSTR,MMBT3906 LT3 10K REEL	L 2
Q106	C 7448-1	MMBT3904 CHIP NPN	K 12
Q107	125798-1	XSTR,MMBT3906 LT3 10K REEL	K 12
Q108	125798-1	XSTR,MMBT3906 LT3 10K REEL	F 2
Q109	125798-1	XSTR,MMBT3906 LT3 10K REEL	F 2
Q110	125798-1	XSTR,MMBT3906 LT3 10K REEL	F 2
Q111	C 8104-9	MPSW92 300V 1 WATT PNP T/R	P 10
Q112	C 3810-6	MPSA42 300V NPN T/R	P 9
Q113	501972-1	MPSA92 300V PNP T/A	O 9
Q115	136169-1	FORMED, 136167-1 (15032)	O 6
Q116	C 7448-1	MMBT3904 CHIP NPN	N 6
Q117	136170-1	FORMED, 136168-1	K 6
Q119	C 8103-1	MPSW42 300V 1 WATT NPN T/R	O 10
Q120	125798-1	XSTR,MMBT3906 LT3 10K REEL	N 2
Q200	C 7448-1	MMBT3904 CHIP NPN	K 2
Q201	125798-1	XSTR,MMBT3906 LT3 10K REEL	I 2
Q202	125798-1	XSTR,MMBT3906 LT3 10K REEL	I 2
Q203	125798-1	XSTR,MMBT3906 LT3 10K REEL	I 2
Q204	125798-1	XSTR,MMBT3906 LT3 10K REEL	I 2
Q205	125798-1	XSTR,MMBT3906 LT3 10K REEL	I 2
Q206	C 7448-1	MMBT3904 CHIP NPN	G 12
Q207	125798-1	XSTR,MMBT3906 LT3 10K REEL	G 12
Q208	125798-1	XSTR,MMBT3906 LT3 10K REEL	G 2
Q209	125798-1	XSTR,MMBT3906 LT3 10K REEL	G 2
Q210	125798-1	XSTR,MMBT3906 LT3 10K REEL	G 2
Q211	C 8104-9	MPSW92 300V 1 WATT PNP T/R	P 8
Q212	C 3810-6	MPSA42 300V NPN T/R	O 8
Q213	501972-1	MPSA92 300V PNP T/A	O 8
Q215	136169-1	FORMED, 136167-1 (15032)	G 6
Q216	C 7448-1	MMBT3904 CHIP NPN	G 6
Q218	136170-1	FORMED, 136168-1	C 6
Q219	C 8103-1	MPSW42 300V 1 WATT NPN T/R	O 8
Q220	125798-1	XSTR,MMBT3906 LT3 10K REEL	O 2
Q500	501972-1	MPSA92 300V PNP T/A	G 3
Q600	501972-1	MPSA92 300V PNP T/A	F 3
Q605	125798-1	XSTR,MMBT3906 LT3 10K REEL	N 12
Q900	131047-1	TRANSISTOR, KSA1298 PNP SOT-23	D 11
Q901	C 7448-1	MMBT3904 CHIP NPN	E 11
Q902	C 7448-1	MMBT3904 CHIP NPN	D 12
Q903	C 7448-1	MMBT3904 CHIP NPN	D 11
Q904	C 7448-1	MMBT3904 CHIP NPN	D 11
Q905	137218-1	SCR, 12A MCR12DSN DPAK 369A	A 7
Q906	C 7448-1	MMBT3904 CHIP NPN	D 11
Q907	C 7448-1	MMBT3904 CHIP NPN	D 11
Q908	C 3810-6	MPSA42 300V NPN T/R	B 7
Q909	C 7448-1	MMBT3904 CHIP NPN	E 12
Q910	125798-1	XSTR,MMBT3906 LT3 10K REEL	E 11
Q911	138677-1	PRP, 137921-1 (20N60A4D) .350	H 8
Q911A	134233-2	HEATSINK, DUAL TO-247 CHIEF	G 9
Q911B	134234-2	CLIP, 2 FINGER STAINLESS	H 9
Q911C	103415-10605	SCR, #6-32X.312 SEMS TFS CONE	H 9

Q911D	103415-10605	SCR, #6-32X.312 SEMS TFS CONE	H 8
Q911E	D 8958-7	INS, CERAMIC .90 X .75 X .040	H 9
Q911F	134882-1	FOAM, 0.4X 0.25 W/ADHESIVE	G 9
Q912	138677-1	PRP, 137921-1 (20N60A4D) .350	G 9
Q912A	134233-2	HEATSINK, DUAL TO-247 CHIEF	I 9
Q912B	134234-2	CLIP, 2 FINGER STAINLESS	G 9
Q912C	103415-10605	SCR, #6-32X.312 SEMS TFS CONE	G 9
Q912D	103415-10605	SCR, #6-32X.312 SEMS TFS CONE	G 8
Q912E	D 8958-7	INS, CERAMIC .90 X .75 X .040	G 9
R1	A11368-20011	2.0K, 0.10W 1% MF 0805	H 11
R2	A11368-10041	1M OHM .1W 1% CHIP 0805	H 11
R3	A11368-10041	1M OHM .1W 1% CHIP 0805	H 11
R4	A11368-10041	1M OHM .1W 1% CHIP 0805	H 11
R5	A11368-10021	10K 1/10W 1% SMD 0805 T/R	N 11
R6	A11368-49911	4.99K 1/10W 1% SMD 0805 T/R	N 11
R7	A11368-49911	4.99K 1/10W 1% SMD 0805 T/R	N 12
R9	132556-1	RES, 0.68 OHM 5% 2W RADIAL	N 12
R10	A11368-78711	7.87K OHM 0.10W 1% 0805 T/R	B 2
R11	A11368-10021	10K 1/10W 1% SMD 0805 T/R	B 2
R12	A11368-18721	18.7KOHM 0.10W 1% SMT 0805	B 2
R13	A11368-10031	100.KOHM .1W 1% CHIP 0805	B 2
R14	A11368-39231	392 KOHM .1W 1% 0805 T/R	C 2
R15	A11368-20021	20.KOHM .1W 1% CHIP 0805	C 1
R16	A11368-10031	100.KOHM .1W 1% CHIP 0805	C 2
R17	A11368-10021	10K 1/10W 1% SMD 0805 T/R	C 1
R18	A11368-49921	49.9KOHM .1W 1% CHIP 0805	C 2
R19	A11371-5614	560 OHM .5W 5% 2010 SMD	C 2
R20	A11368-10011	1.KOHM .1W 1% CHIP 0805	C 2
R21	A11371-0R02	0. OHM .125W 5% CHIP RES T/R	I 11
R22	A11371-1105	11 OHM 1W 5% 2512 T/R	I 11
R23	A11368-14021	14KOHM .1W 1% 0805 T/R	N 12
R24	A11368-10011	1.KOHM .1W 1% CHIP 0805	N 12
R25	A11368-30121	30.1K, 0.10W 1% MF 0805	C 2
R26	A11368-20011	2.0K, 0.10W 1% MF 0805	N 12
R27	A11368-10031	100.KOHM .1W 1% CHIP 0805	N 12
R28	A11368-10021	10K 1/10W 1% SMD 0805 T/R	N 12
R30	A11368-40212	4.02KOHM .125W 1% CHIP RES T/R	B 2
R31	A11368-40212	4.02KOHM .125W 1% CHIP RES T/R	B 2
R32	A11368-40212	4.02KOHM .125W 1% CHIP RES T/R	B 2
R33	A11368-10021	10K 1/10W 1% SMD 0805 T/R	C 2
R34	A11368-40212	4.02KOHM .125W 1% CHIP RES T/R	N 2
R35	A11368-40212	4.02KOHM .125W 1% CHIP RES T/R	O 2
R36	A11368-40212	4.02KOHM .125W 1% CHIP RES T/R	O 2
R37	A11368-10021	10K 1/10W 1% SMD 0805 T/R	O 2
R39	A11368-10012	1. KOHM .125W 1% CHIP RES T/R	I 9
R40	A11368-10012	1. KOHM .125W 1% CHIP RES T/R	G 9
R43	A11371-5R63	5.6 OHM .25W 5% 1210 T/R	H 9
R44	A11371-5R63	5.6 OHM .25W 5% 1210 T/R	G 9
R45	A11368-49901	499 OHM .1W 1% 0805 T/R	E 10
R46	A11368-23201	232OHM .1W 1% 0805 T/R	E 10
R47	A11368-23201	232OHM .1W 1% 0805 T/R	E 10
R48	A11368-15031	150K 1/10W 1% SMD 0805 T/R	F 10
R49	A11368-15031	150K 1/10W 1% SMD 0805 T/R	F 10
R50	A11368-15021	15.0K, 0.10W 1% MF 0805	F 10
R51	A11368-49901	499 OHM .1W 1% 0805 T/R	E 10
R52	A11368-10011	1.KOHM .1W 1% CHIP 0805	F 10
R53	A11368-36531	RES, 365 KOHM 1% .1W 0805	F 11
R54	A11368-68121	68.1KOHM 0.1W 1% CHIP 0805	F 11
R55	A11368-10021	10K 1/10W 1% SMD 0805 T/R	F 11

R56	A11368-36531	RES, 365 KOHM 1% .1W 0805	F 10
R57	A11368-68121	68.1KOHM 0.1W 1% CHIP 0805	F 10
R58	A11368-10021	10K 1/10W 1% SMD 0805 T/R	F 11
R59	A11368-10R01	10 OHM .1W 1% 0805 T/R	F 11
R60	A11368-10021	10K 1/10W 1% SMD 0805 T/R	F 11
R61	A11368-75011	7.50K .10W 1% CHIP 0805	E 11
R62	A11368-10021	10K 1/10W 1% SMD 0805 T/R	F 10
R63	A11368-10021	10K 1/10W 1% SMD 0805 T/R	F 11
R64	A11368-10021	10K 1/10W 1% SMD 0805 T/R	E 11
R65	A11368-10021	10K 1/10W 1% SMD 0805 T/R	E 11
R66	A11368-49921	49.9KOHM .1W 1% CHIP 0805	F 10
R67	A11368-68121	68.1KOHM 0.1W 1% CHIP 0805	F 10
R70	A11368-1R004	1 OHM 0.5W 1% 2010 T/R	H 10
R72	A11368-10021	10K 1/10W 1% SMD 0805 T/R	F 10
R73	A11368-76811	7.68KOHM 0.10W 1% SMT 0805	F 10
R74	A11368-39221	39.2KOHM .1W 1% 0805 T/R	F 10
R75	A11368-49921	49.9KOHM .1W 1% CHIP 0805	F 10
R76	A11368-26721	26.7KOHM .1W 1% 0805 T/R	G 10
R77	A11368-20031	200K 0.1W 1% SMD CHIP 0805	G 11
R79	A11368-10021	10K 1/10W 1% SMD 0805 T/R	G 10
R80	A11368-10021	10K 1/10W 1% SMD 0805 T/R	G 10
R82	A11368-49921	49.9KOHM .1W 1% CHIP 0805	G 10
R83	A11368-10021	10K 1/10W 1% SMD 0805 T/R	M 12
R84	A11368-20021	20.KOHM .1W 1% CHIP 0805	M 12
R85	A11368-49931	499KOHM .1W 1% 0805 T/R	M 12
R86	A11368-49931	499KOHM .1W 1% 0805 T/R	M 12
R87	A11368-49911	4.99K 1/10W 1% SMD 0805 T/R	E 11
R88	A11368-23721	23.7K .10W 1% CHIP 0805	E 11
R89	A11368-30121	30.1K, 0.10W 1% MF 0805	E 12
R90	A11368-10011	1.KOHM .1W 1% CHIP 0805	I 14
R91	A11368-49921	49.9KOHM .1W 1% CHIP 0805	I 13
R92	A11368-10021	10K 1/10W 1% SMD 0805 T/R	I 14
R93	A11368-10031	100.KOHM .1W 1% CHIP 0805	M 11
R94	A11368-49911	4.99K 1/10W 1% SMD 0805 T/R	M 12
R95	A11368-10021	10K 1/10W 1% SMD 0805 T/R	M 12
R96	A11368-20021	20.KOHM .1W 1% CHIP 0805	M 11
R97	A11368-40212	4.02KOHM .125W 1% CHIP RES T/R	M 12
R98	A11368-10021	10K 1/10W 1% SMD 0805 T/R	M 1
R99	A11368-20021	20.KOHM .1W 1% CHIP 0805	M 2
R100	A11368-40212	4.02KOHM .125W 1% CHIP RES T/R	I 13
R101	A11368-40212	4.02KOHM .125W 1% CHIP RES T/R	I 13
R102	A11368-10011	1.KOHM .1W 1% CHIP 0805	J 13
R103	A11368-10011	1.KOHM .1W 1% CHIP 0805	J 13
R104	A11368-49911	4.99K 1/10W 1% SMD 0805 T/R	J 13
R105	A11368-49911	4.99K 1/10W 1% SMD 0805 T/R	J 13
R106	A11368-49911	4.99K 1/10W 1% SMD 0805 T/R	J 12
R107	A11368-24911	2.49K 1/10W 1% SMD 0805 T/R	I 12
R108	A11368-10041	1M OHM .1W 1% CHIP 0805	K 2
R109	A11368-10041	1M OHM .1W 1% CHIP 0805	K 13
R110	A11368-49921	49.9KOHM .1W 1% CHIP 0805	J 12
R111	A11368-20031	200K 0.1W 1% SMD CHIP 0805	K 12
R112	A11368-49921	49.9KOHM .1W 1% CHIP 0805	K 12
R113	A11368-24921	24.9K 1/10W 1% SMD 0805 T/R	K 2
R114	A11371-1105	11 OHM 1W 5% 2512 T/R	N 3
R115	A11368-61901	619.OHM 1/10W 1% SMD 0805 T/R	K 2
R116	A11368-14721	14.7 KOHM .1W 1% 0805	J 13
R117	A11368-22121	22.1K 0.10W 1% CHIP 0805	J 13
R118	A11368-14721	14.7 KOHM .1W 1% 0805	J 13
R119	130657-2	POT, 5K LINEAR HORIZ ws	J 12

R120	A11368-22121	22.1K 0.10W 1% CHIP 0805	J 13
R121	A11368-49911	4.99K 1/10W 1% SMD 0805 T/R	J 14
R122	A11368-49911	4.99K 1/10W 1% SMD 0805 T/R	J 13
R123	A11368-11021	11K 0.1W 1% 0805 T/R	M 2
R124	A11368-10031	100.KOHM .1W 1% CHIP 0805	L 2
R125	A11368-42201	422 OHM 0.1W 1% 0805 T/R	L 2
R126	A11368-20021	20.KOHM .1W 1% CHIP 0805	L 2
R127	A11371-5614	560 OHM .5W 5% 2010 SMD	L 1
R128	A11368-10021	10K 1/10W 1% SMD 0805 T/R	K 13
R129	A11368-10031	100.KOHM .1W 1% CHIP 0805	J 12
R130	A11368-20011	2.0K, 0.10W 1% MF 0805	J 12
R131	A11368-10031	100.KOHM .1W 1% CHIP 0805	K 12
R132	A11368-20011	2.0K, 0.10W 1% MF 0805	K 12
R133	A11368-49922	49.9KOHM .125W 1% CHIP RES T/R	N 2
R134	A11368-49922	49.9KOHM .125W 1% CHIP RES T/R	N 2
R135	A11368-42221	42.2KOHM .10W 1% MF 0805	N 1
R136	A11368-23721	23.7K .10W 1% CHIP 0805	N 1
R137	A11368-10041	1M OHM .1W 1% CHIP 0805	M 2
R138	A11368-10041	1M OHM .1W 1% CHIP 0805	M 1
R139	A11368-39231	392 KOHM .1W 1% 0805 T/R	M 2
R140	A11368-39231	392 KOHM .1W 1% 0805 T/R	M 2
R141	A11368-20021	20.KOHM .1W 1% CHIP 0805	L 2
R142	A11368-20021	20.KOHM .1W 1% CHIP 0805	L 2
R143	A11368-20031	200K 0.1W 1% SMD CHIP 0805	K 2
R144	A11368-20031	200K 0.1W 1% SMD CHIP 0805	K 2
R145	A11368-20031	200K 0.1W 1% SMD CHIP 0805	K 2
R146	A11368-44221	44.2K 0.1W 1% 0805 T/R	M 2
R147	A11368-10041	1M OHM .1W 1% CHIP 0805	M 2
R148	A11368-20021	20.KOHM .1W 1% CHIP 0805	L 2
R149	A11368-49921	49.9KOHM .1W 1% CHIP 0805	N 6
R150	A11368-49921	49.9KOHM .1W 1% CHIP 0805	N 6
R152	A11368-20031	200K 0.1W 1% SMD CHIP 0805	M 2
R153	A11368-20021	20.KOHM .1W 1% CHIP 0805	L 2
R154	A11368-10031	100.KOHM .1W 1% CHIP 0805	J 2
R155	A11368-10031	100.KOHM .1W 1% CHIP 0805	J 2
R156	A11368-47504	475 OHM .5W 1% 2010 T/R	L 2
R157	A11368-49931	499KOHM .1W 1% 0805 T/R	J 2
R158	A11368-24921	24.9K 1/10W 1% SMD 0805 T/R	J 2
R159	A11368-75021	75K 1/10W 1% SMD 0805 T/R	J 2
R160	A11368-44221	44.2K 0.1W 1% 0805 T/R	J 2
R161	A11368-75021	75K 1/10W 1% SMD 0805 T/R	K 13
R162	A11368-10021	10K 1/10W 1% SMD 0805 T/R	L 13
R163	A11368-10041	1M OHM .1W 1% CHIP 0805	K 13
R164	A11368-49931	499KOHM .1W 1% 0805 T/R	L 13
R165	A11368-49931	499KOHM .1W 1% 0805 T/R	L 11
R166	A11368-14021	14KOHM .1W 1% 0805 T/R	M 2
R167	A11368-10011	1.KOHM .1W 1% CHIP 0805	M 2
R168	A11368-35721	35.7 KOHM 0.1W 1% 0805 T/R	L 13
R169	A11368-10031	100.KOHM .1W 1% CHIP 0805	L 12
R170	A11368-10021	10K 1/10W 1% SMD 0805 T/R	K 12
R171	A11368-10031	100.KOHM .1W 1% CHIP 0805	G 12
R172	A11368-18231	182 KOHM 1% 0.10W 0805	J 13
R173	A11368-24911	2.49K 1/10W 1% SMD 0805 T/R	J 14
R174	A11368-10021	10K 1/10W 1% SMD 0805 T/R	J 14
R175	A11368-10021	10K 1/10W 1% SMD 0805 T/R	J 13
R176	A11368-24911	2.49K 1/10W 1% SMD 0805 T/R	K 12
R177	A11368-12421	12.4K 1/10W 1% SMD 0805 T/R	K 12
R178	A11368-24911	2.49K 1/10W 1% SMD 0805 T/R	K 12
R183	A11368-24924	24.9KOHM .5W 1% 2010 T/R	K 11

R184	A11368-24924	24.9KOHM .5W 1% 2010 T/R	K 11
R185	A11368-24911	2.49K 1/10W 1% SMD 0805 T/R	K 12
R186	A11368-20011	2.0K, 0.10W 1% MF 0805	K 12
R187	A11368-10021	10K 1/10W 1% SMD 0805 T/R	K 11
R188	A11368-10011	1.KOHM .1W 1% CHIP 0805	K 12
R189	A11368-10011	1.KOHM .1W 1% CHIP 0805	K 12
R190	A11368-10021	10K 1/10W 1% SMD 0805 T/R	K 11
R191	A11368-10011	1.KOHM .1W 1% CHIP 0805	K 12
R192	A11368-10011	1.KOHM .1W 1% CHIP 0805	K 12
R193	A11368-10021	10K 1/10W 1% SMD 0805 T/R	K 12
R194	A11368-10021	10K 1/10W 1% SMD 0805 T/R	J 12
R195	A11368-10021	10K 1/10W 1% SMD 0805 T/R	K 12
R196	A11368-10021	10K 1/10W 1% SMD 0805 T/R	K 11
R197	A11368-26721	26.7KOHM .1W 1% 0805 T/R	J 12
R198	A11368-10021	10K 1/10W 1% SMD 0805 T/R	J 12
R199	A11368-49911	4.99K 1/10W 1% SMD 0805 T/R	J 12
R200	A11368-40212	4.02KOHM .125W 1% CHIP RES T/R	I 13
R201	A11368-40212	4.02KOHM .125W 1% CHIP RES T/R	I 13
R202	A11368-10011	1.KOHM .1W 1% CHIP 0805	I 13
R203	A11368-10011	1.KOHM .1W 1% CHIP 0805	I 13
R204	A11368-49911	4.99K 1/10W 1% SMD 0805 T/R	H 13
R205	A11368-49911	4.99K 1/10W 1% SMD 0805 T/R	I 13
R206	A11368-49911	4.99K 1/10W 1% SMD 0805 T/R	H 12
R207	A11368-24911	2.49K 1/10W 1% SMD 0805 T/R	I 12
R208	A11368-10041	1M OHM .1W 1% CHIP 0805	J 2
R209	A11368-10041	1M OHM .1W 1% CHIP 0805	G 13
R210	A11368-49921	49.9KOHM .1W 1% CHIP 0805	G 12
R211	A11368-20031	200K 0.1W 1% SMD CHIP 0805	H 12
R212	A11368-49921	49.9KOHM .1W 1% CHIP 0805	H 12
R213	A11368-24921	24.9K 1/10W 1% SMD 0805 T/R	K 2
R214	A11371-1105	11 OHM 1W 5% 2512 T/R	H 3
R215	A11368-61901	619.OHM 1/10W 1% SMD 0805 T/R	J 2
R216	A11368-14721	14.7 KOHM .1W 1% 0805	H 13
R217	A11368-22121	22.1K 0.10W 1% CHIP 0805	H 13
R218	A11368-14721	14.7 KOHM .1W 1% 0805	H 13
R219	130657-2	POT, 5K LINEAR HORIZ ws	H 12
R220	A11368-22121	22.1K 0.10W 1% CHIP 0805	H 13
R221	132556-1	RES, 0.68 OHM 5% 2W RADIAL	O 12
R222	A11368-15021	15.0K, 0.10W 1% MF 0805	F 11
R223	A11368-11021	11K 0.1W 1% 0805 T/R	I 1
R224	A11368-10031	100.KOHM .1W 1% CHIP 0805	I 2
R225	A11368-42201	422 OHM 0.1W 1% 0805 T/R	I 2
R226	A11368-20021	20.KOHM .1W 1% CHIP 0805	I 2
R227	A11371-5614	560 OHM .5W 5% 2010 SMD	I 2
R228	A11368-10021	10K 1/10W 1% SMD 0805 T/R	H 13
R229	A11368-10031	100.KOHM .1W 1% CHIP 0805	G 12
R230	A11368-20011	2.0K, 0.10W 1% MF 0805	G 12
R231	A11368-10031	100.KOHM .1W 1% CHIP 0805	H 12
R232	A11368-20011	2.0K, 0.10W 1% MF 0805	H 12
R233	A11368-49922	49.9KOHM .125W 1% CHIP RES T/R	G 2
R234	A11368-49922	49.9KOHM .125W 1% CHIP RES T/R	G 1
R235	A11368-42221	42.2KOHM .10W 1% MF 0805	G 1
R236	A11368-23721	23.7K .10W 1% CHIP 0805	H 1
R237	A11368-10041	1M OHM .1W 1% CHIP 0805	H 2
R238	A11368-10041	1M OHM .1W 1% CHIP 0805	G 2
R239	A11368-39231	392 KOHM .1W 1% 0805 T/R	H 2
R240	A11368-39231	392 KOHM .1W 1% 0805 T/R	G 2
R241	A11368-20021	20.KOHM .1W 1% CHIP 0805	I 2
R242	A11368-20021	20.KOHM .1W 1% CHIP 0805	I 2

R243	A11368-20031	200K 0.1W 1% SMD CHIP 0805	K 2
R244	A11368-20031	200K 0.1W 1% SMD CHIP 0805	K 2
R245	A11368-20031	200K 0.1W 1% SMD CHIP 0805	J 2
R246	A11368-44221	44.2K 0.1W 1% 0805 T/R	H 2
R247	A11368-10041	1M OHM .1W 1% CHIP 0805	H 2
R248	A11368-20021	20.KOHM .1W 1% CHIP 0805	I 2
R249	A11368-49921	49.9KOHM .1W 1% CHIP 0805	G 6
R250	A11368-49921	49.9KOHM .1W 1% CHIP 0805	G 6
R252	A11368-20031	200K 0.1W 1% SMD CHIP 0805	H 2
R253	A11368-20021	20.KOHM .1W 1% CHIP 0805	I 2
R254	A11368-10031	100.KOHM .1W 1% CHIP 0805	J 2
R255	A11368-10031	100.KOHM .1W 1% CHIP 0805	J 2
R256	A11368-47504	475 OHM .5W 1% 2010 T/R	I 1
R257	A11368-49931	499KOHM .1W 1% 0805 T/R	J 2
R258	A11368-24921	24.9K 1/10W 1% SMD 0805 T/R	J 2
R259	A11368-75021	75K 1/10W 1% SMD 0805 T/R	J 2
R260	A11368-44221	44.2K 0.1W 1% 0805 T/R	J 2
R261	A11368-75021	75K 1/10W 1% SMD 0805 T/R	G 13
R262	A11368-10021	10K 1/10W 1% SMD 0805 T/R	G 13
R263	A11368-10041	1M OHM .1W 1% CHIP 0805	F 13
R264	A11368-49931	499KOHM .1W 1% 0805 T/R	F 13
R265	A11368-49931	499KOHM .1W 1% 0805 T/R	G 11
R266	A11368-14021	14KOHM .1W 1% 0805 T/R	H 2
R267	A11368-10011	1.KOHM .1W 1% CHIP 0805	H 2
R268	A11368-35721	35.7 KOHM 0.1W 1% 0805 T/R	G 13
R270	A11368-10021	10K 1/10W 1% SMD 0805 T/R	G 12
R272	A11368-18231	182 KOHM 1% 0.10W 0805	H 13
R273	A11368-24911	2.49K 1/10W 1% SMD 0805 T/R	H 14
R274	A11368-10021	10K 1/10W 1% SMD 0805 T/R	H 14
R275	A11368-10021	10K 1/10W 1% SMD 0805 T/R	H 13
R276	A11368-24911	2.49K 1/10W 1% SMD 0805 T/R	H 12
R277	A11368-12421	12.4K 1/10W 1% SMD 0805 T/R	H 12
R278	A11368-24911	2.49K 1/10W 1% SMD 0805 T/R	G 12
R283	A11368-24924	24.9KOHM .5W 1% 2010 T/R	G 11
R284	A11368-24924	24.9KOHM .5W 1% 2010 T/R	G 11
R285	A11368-24911	2.49K 1/10W 1% SMD 0805 T/R	G 12
R286	A11368-20011	2.0K, 0.10W 1% MF 0805	G 12
R287	A11368-10021	10K 1/10W 1% SMD 0805 T/R	H 11
R288	A11368-10011	1.KOHM .1W 1% CHIP 0805	G 12
R289	A11368-10011	1.KOHM .1W 1% CHIP 0805	G 12
R290	A11368-10021	10K 1/10W 1% SMD 0805 T/R	H 11
R291	A11368-10011	1.KOHM .1W 1% CHIP 0805	G 12
R292	A11368-10011	1.KOHM .1W 1% CHIP 0805	G 12
R293	A11368-10021	10K 1/10W 1% SMD 0805 T/R	H 12
R294	A11368-10021	10K 1/10W 1% SMD 0805 T/R	H 12
R295	A11368-10021	10K 1/10W 1% SMD 0805 T/R	H 12
R296	A11368-10021	10K 1/10W 1% SMD 0805 T/R	H 11
R297	A11368-26721	26.7KOHM .1W 1% 0805 T/R	H 12
R298	A11368-10021	10K 1/10W 1% SMD 0805 T/R	H 12
R299	A11368-49911	4.99K 1/10W 1% SMD 0805 T/R	H 12
R300	A11368-22121	22.1K 0.10W 1% CHIP 0805	J 11
R301	A11368-49911	4.99K 1/10W 1% SMD 0805 T/R	J 12
R302	A11368-20021	20.KOHM .1W 1% CHIP 0805	N 12
R303	A11368-12131	121KOHM, 0.10W 1% CHIP 0805	M 13
R304	A11368-10021	10K 1/10W 1% SMD 0805 T/R	N 13
R305	A11368-20021	20.KOHM .1W 1% CHIP 0805	M 12
R306	A11368-10031	100.KOHM .1W 1% CHIP 0805	M 12
R307	A11368-10011	1.KOHM .1W 1% CHIP 0805	M 12
R308	A11368-34011	3.4K 0.10W 1% MF 0805	F 2

R309	A11368-34011	3.4K 0.10W 1% MF 0805	F 2
R310	A11368-20021	20.KOHM .1W 1% CHIP 0805	F 2
R311	A11368-20021	20.KOHM .1W 1% CHIP 0805	F 2
R312	A11368-49921	49.9KOHM .1W 1% CHIP 0805	F 2
R313	C10447-8	100.KOHM TOP ADJ TRIMMER T/R	F 2
R314	A11368-82521	82.5K 0.10W 1%CHIP 0805	F 2
R315	A11368-82521	82.5K 0.10W 1%CHIP 0805	F 2
R316	A11368-71531	715K 0.1W 1% 0805 T/R	F 1
R317	C10447-8	100.KOHM TOP ADJ TRIMMER T/R	F 1
R318	A11368-68131	681KOHM .1W 1% 0805 T/R	D 2
R319	A11368-10031	100.KOHM .1W 1% CHIP 0805	D 2
R320	A11368-20031	200K 0.1W 1% SMD CHIP 0805	D 2
R321	A11368-20031	200K 0.1W 1% SMD CHIP 0805	D 2
R322	A11368-68111	6.81K 0.10W 1% CHIP 0805	F 2
R323	A11368-68111	6.81K 0.10W 1% CHIP 0805	F 2
R324	A11368-20021	20.KOHM .1W 1% CHIP 0805	F 2
R325	A11368-20021	20.KOHM .1W 1% CHIP 0805	F 2
R326	A11368-22111	2.21KOHM .1W 1% CHIP 0805	E 2
R327	A11368-30931	RES, 309K OHM 1% 0.10W 0805	F 2
R328	A11368-64901	RES, 649 OHM 1% 0.1W SMT 0805	P 10
R329	A11368-10001	100 OHM 1% 0805 RES T/R	P 10
R330	132556-1	RES, 0.68 OHM 5% 2W RADIAL	O 3
R331	132556-1	RES, 0.68 OHM 5% 2W RADIAL	P 3
R332	132556-1	RES, 0.68 OHM 5% 2W RADIAL	P 3
R333	132556-1	RES, 0.68 OHM 5% 2W RADIAL	Q 3
R334	132556-1	RES, 0.68 OHM 5% 2W RADIAL	Q 3
R335	132556-1	RES, 0.68 OHM 5% 2W RADIAL	R 3
R336	A11368-49911	4.99K 1/10W 1% SMD 0805 T/R	P 9
R337	A11368-75001	750 OHM .1 1% 0805 T/R	Q 8
R338	A11368-75001	750 OHM .1 1% 0805 T/R	Q 8
R339	A11368-49911	4.99K 1/10W 1% SMD 0805 T/R	P 9
R340	A11368-15023	15KOHM .25W 1% 1210 SMT T/R	P 8
R341	A11368-15023	15KOHM .25W 1% 1210 SMT T/R	P 7
R342	A11368-51R11	51.1 OHM 0.1W 1% MF 0805	O 7
R343	A11368-18211	1.82KOHM .1W 1% 0805 T/R	O 7
R344	A11368-64901	RES, 649 OHM 1% 0.1W SMT 0805	O 7
R345	C10613-5	1 KOHM TOP ADJUST TRIMMER T/R	N 7
R346	A11368-10021	10K 1/10W 1% SMD 0805 T/R	O 7
R347	A11368-33R24	33.2 OHM .5W 1% 2010 T/R	O 6
R348	132556-1	RES, 0.68 OHM 5% 2W RADIAL	P 7
R349	132556-1	RES, 0.68 OHM 5% 2W RADIAL	P 7
R350	132556-1	RES, 0.68 OHM 5% 2W RADIAL	P 7
R351	132556-1	RES, 0.68 OHM 5% 2W RADIAL	P 7
R352	132556-1	RES, 0.68 OHM 5% 2W RADIAL	P 7
R353	132556-1	RES, 0.68 OHM 5% 2W RADIAL	Q 7
R354	A11368-10021	10K 1/10W 1% SMD 0805 T/R	M 7
R355	132556-1	RES, 0.68 OHM 5% 2W RADIAL	L 7
R356	132556-1	RES, 0.68 OHM 5% 2W RADIAL	L 7
R357	132556-1	RES, 0.68 OHM 5% 2W RADIAL	M 7
R358	132556-1	RES, 0.68 OHM 5% 2W RADIAL	M 7
R359	132556-1	RES, 0.68 OHM 5% 2W RADIAL	L 7
R360	132556-1	RES, 0.68 OHM 5% 2W RADIAL	M 7
R361	A11368-33R22	33.2 OHM .125W 1% 1206 T/R	K 7
R362	A11368-33R24	33.2 OHM .5W 1% 2010 T/R	K 7
R363	A11368-14721	14.7 KOHM .1W 1% 0805	O 3
R364	A11368-14721	14.7 KOHM .1W 1% 0805	O 3
R365	A11368-14721	14.7 KOHM .1W 1% 0805	O 3
R366	A11368-64901	RES, 649 OHM 1% 0.1W SMT 0805	O 10
R367	A11368-10001	100 OHM 1% 0805 RES T/R	O 10

R368	132556-1	RES, 0.68 OHM 5% 2W RADIAL	K 3
R369	132556-1	RES, 0.68 OHM 5% 2W RADIAL	K 3
R370	132556-1	RES, 0.68 OHM 5% 2W RADIAL	K 3
R371	132556-1	RES, 0.68 OHM 5% 2W RADIAL	L 3
R372	132556-1	RES, 0.68 OHM 5% 2W RADIAL	L 3
R373	132556-1	RES, 0.68 OHM 5% 2W RADIAL	M 3
R374	A11368-34011	3.4K 0.10W 1% MF 0805	N 2
R375	A11368-34011	3.4K 0.10W 1% MF 0805	N 2
R376	A11368-30931	RES, 309K OHM 1% 0.10W 0805	N 1
R377	A11368-22111	2.21KOHM .1W 1% CHIP 0805	N 1
R378	A11368-19111	1.91KOHM .1W 1% 0805 T/R	N 2
R379	C10447-8	100.KOHM TOP ADJ TRIMMER T/R	N 2
R380	A11368-93121	RES, 93.1K 1% 0.1W SMT 0805	N 2
R381	A11368-93121	RES, 93.1K 1% 0.1W SMT 0805	N 2
R382	A11368-49921	49.9KOHM .1W 1% CHIP 0805	N 2
R383	A11368-68111	6.81K 0.10W 1% CHIP 0805	N 1
R384	A11368-20021	20.KOHM .1W 1% CHIP 0805	N 2
R385	A11368-20021	20.KOHM .1W 1% CHIP 0805	N 2
R386	A11368-68131	681KOHM .1W 1% 0805 T/R	P 2
R387	A11368-10031	100.KOHM .1W 1% CHIP 0805	P 2
R388	A11368-20031	200K 0.1W 1% SMD CHIP 0805	P 2
R389	A11368-20031	200K 0.1W 1% SMD CHIP 0805	P 2
R390	A11368-71531	715K 0.1W 1% 0805 T/R	N 1
R391	C10447-8	100.KOHM TOP ADJ TRIMMER T/R	N 1
R392	A11368-26121	26.1KOHM .1W 1% 0805 T/R	O 3
R393	A11368-26121	26.1KOHM .1W 1% 0805 T/R	O 3
R394	A11368-26121	26.1KOHM .1W 1% 0805 T/R	O 3
R395	A11371-1105	11 OHM 1W 5% 2512 T/R	N 3
R396		OPEN	K 7
R397	A11368-10001	100 OHM 1% 0805 RES T/R	N 15
R398	A11368-10031	100.KOHM .1W 1% CHIP 0805	J 2
R400	A11368-22121	22.1K 0.10W 1% CHIP 0805	H 11
R401	A11368-49911	4.99K 1/10W 1% SMD 0805 T/R	H 12
R402	A11368-20021	20.KOHM .1W 1% CHIP 0805	L 12
R403	A11368-12131	121KOHM, 0.10W 1% CHIP 0805	L 13
R404	A11368-10021	10K 1/10W 1% SMD 0805 T/R	L 13
R405	A11368-20021	20.KOHM .1W 1% CHIP 0805	M 12
R406	A11368-10031	100.KOHM .1W 1% CHIP 0805	L 12
R407	A11368-10011	1.KOHM .1W 1% CHIP 0805	L 12
R408	A11368-34011	3.4K 0.10W 1% MF 0805	G 2
R409	A11368-34011	3.4K 0.10W 1% MF 0805	G 2
R410	A11368-20021	20.KOHM .1W 1% CHIP 0805	G 2
R411	A11368-20021	20.KOHM .1W 1% CHIP 0805	G 2
R412	A11368-49921	49.9KOHM .1W 1% CHIP 0805	G 2
R413	C10447-8	100.KOHM TOP ADJ TRIMMER T/R	F 2
R414	A11368-82521	82.5K 0.10W 1%CHIP 0805	G 2
R415	A11368-82521	82.5K 0.10W 1%CHIP 0805	G 2
R416	A11368-71531	715K 0.1W 1% 0805 T/R	G 1
R417	C10447-8	100.KOHM TOP ADJ TRIMMER T/R	G 1
R418	A11368-68131	681KOHM .1W 1% 0805 T/R	E 2
R419	A11368-10031	100.KOHM .1W 1% CHIP 0805	E 2
R420	A11368-20031	200K 0.1W 1% SMD CHIP 0805	E 2
R421	A11368-20031	200K 0.1W 1% SMD CHIP 0805	E 2
R422	A11368-68111	6.81K 0.10W 1% CHIP 0805	F 2
R423	A11368-68111	6.81K 0.10W 1% CHIP 0805	F 2
R424	A11368-20021	20.KOHM .1W 1% CHIP 0805	G 2
R425	A11368-20021	20.KOHM .1W 1% CHIP 0805	F 2
R426	A11368-22111	2.21KOHM .1W 1% CHIP 0805	F 2
R427	A11368-30931	RES, 309K OHM 1% 0.10W 0805	G 2

R428	A11368-64901	RES, 649 OHM 1% 0.1W SMT 0805	O 7
R429	A11368-10001	100 OHM 1% 0805 RES T/R	P 8
R430	132556-1	RES, 0.68 OHM 5% 2W RADIAL	G 3
R431	132556-1	RES, 0.68 OHM 5% 2W RADIAL	H 3
R432	132556-1	RES, 0.68 OHM 5% 2W RADIAL	I 3
R433	132556-1	RES, 0.68 OHM 5% 2W RADIAL	I 3
R434	132556-1	RES, 0.68 OHM 5% 2W RADIAL	I 3
R435	132556-1	RES, 0.68 OHM 5% 2W RADIAL	I 3
R436	A11368-49911	4.99K 1/10W 1% SMD 0805 T/R	O 9
R437	A11368-75001	750 OHM .1 1% 0805 T/R	O 9
R438	A11368-75001	750 OHM .1 1% 0805 T/R	O 9
R439	A11368-49911	4.99K 1/10W 1% SMD 0805 T/R	O 9
R440	A11368-15023	15KOHM .25W 1% 1210 SMT T/R	P 7
R441	A11368-15023	15KOHM .25W 1% 1210 SMT T/R	P 8
R442	A11368-51R11	51.1 OHM 0.1W 1% MF 0805	G 7
R443	A11368-18211	1.82KOHM .1W 1% 0805 T/R	G 7
R444	A11368-64901	RES, 649 OHM 1% 0.1W SMT 0805	G 7
R445	C10613-5	1 KOHM TOP ADJUST TRIMMER T/R	G 7
R446	A11368-10021	10K 1/10W 1% SMD 0805 T/R	G 7
R447	A11368-33R24	33.2 OHM .5W 1% 2010 T/R	G 6
R448	132556-1	RES, 0.68 OHM 5% 2W RADIAL	H 7
R449	132556-1	RES, 0.68 OHM 5% 2W RADIAL	H 7
R450	132556-1	RES, 0.68 OHM 5% 2W RADIAL	H 7
R451	132556-1	RES, 0.68 OHM 5% 2W RADIAL	H 7
R452	132556-1	RES, 0.68 OHM 5% 2W RADIAL	I 7
R453	132556-1	RES, 0.68 OHM 5% 2W RADIAL	I 7
R454	A11368-10021	10K 1/10W 1% SMD 0805 T/R	H 7
R455	132556-1	RES, 0.68 OHM 5% 2W RADIAL	D 7
R456	132556-1	RES, 0.68 OHM 5% 2W RADIAL	D 7
R457	132556-1	RES, 0.68 OHM 5% 2W RADIAL	D 7
R458	132556-1	RES, 0.68 OHM 5% 2W RADIAL	D 7
R459	132556-1	RES, 0.68 OHM 5% 2W RADIAL	E 7
R460	132556-1	RES, 0.68 OHM 5% 2W RADIAL	E 7
R461	A11368-33R22	33.2 OHM .125W 1% 1206 T/R	C 7
R462	A11368-33R24	33.2 OHM .5W 1% 2010 T/R	C 6
R463	A11368-14721	14.7 KOHM .1W 1% 0805	E 3
R464	A11368-14721	14.7 KOHM .1W 1% 0805	D 3
R465	A11368-14721	14.7 KOHM .1W 1% 0805	C 3
R466	A11368-64901	RES, 649 OHM 1% 0.1W SMT 0805	O 8
R467	A11368-10001	100 OHM 1% 0805 RES T/R	O 8
R468	132556-1	RES, 0.68 OHM 5% 2W RADIAL	C 3
R469	132556-1	RES, 0.68 OHM 5% 2W RADIAL	D 3
R470	132556-1	RES, 0.68 OHM 5% 2W RADIAL	D 3
R471	132556-1	RES, 0.68 OHM 5% 2W RADIAL	D 3
R472	132556-1	RES, 0.68 OHM 5% 2W RADIAL	E 3
R473	132556-1	RES, 0.68 OHM 5% 2W RADIAL	E 3
R474	A11368-34011	3.4K 0.10W 1% MF 0805	O 2
R475	A11368-34011	3.4K 0.10W 1% MF 0805	O 2
R476	A11368-30931	RES, 309K OHM 1% 0.10W 0805	P 2
R477	A11368-22111	2.21KOHM .1W 1% CHIP 0805	P 2
R478	A11368-19111	1.91KOHM .1W 1% 0805 T/R	O 2
R479	C10447-8	100.KOHM TOP ADJ TRIMMER T/R	O 2
R480	A11368-93121	RES, 93.1K 1% 0.1W SMT 0805	O 2
R481	A11368-93121	RES, 93.1K 1% 0.1W SMT 0805	O 2
R482	A11368-49921	49.9KOHM .1W 1% CHIP 0805	O 2
R483	A11368-68111	6.81K 0.10W 1% CHIP 0805	O 2
R484	A11368-20021	20.KOHM .1W 1% CHIP 0805	O 2
R485	A11368-20021	20.KOHM .1W 1% CHIP 0805	O 2
R486	A11368-68131	681KOHM .1W 1% 0805 T/R	Q 2

R487	A11368-10031	100.KOHM .1W 1% CHIP 0805	Q 2
R488	A11368-20031	200K 0.1W 1% SMD CHIP 0805	Q 2
R489	A11368-20031	200K 0.1W 1% SMD CHIP 0805	Q 2
R490	A11368-71531	715K 0.1W 1% 0805 T/R	O 1
R491	C10447-8	100.KOHM TOP ADJ TRIMMER T/R	O 1
R492	A11368-26121	26.1KOHM .1W 1% 0805 T/R	E 3
R493	A11368-26121	26.1KOHM .1W 1% 0805 T/R	D 3
R494	A11368-26121	26.1KOHM .1W 1% 0805 T/R	C 3
R495	A11371-1105	11 OHM 1W 5% 2512 T/R	I 2
R496	A11371-5R65	5.6 OHM 1W 5% 2512 T/R	I 7
R497	A11368-10001	100 OHM 1% 0805 RES T/R	L 15
R498	A11368-10031	100.KOHM .1W 1% CHIP 0805	J 2
R513	A11368-13031	130 KOHM 0.1W 1% 0805	G 3
R514	A11368-40221	40.2KOHM 0.10W 1% SMT 0805	G 3
R515	A11368-10041	1M OHM .1W 1% CHIP 0805	F 3
R516	A11368-10031	100.KOHM .1W 1% CHIP 0805	D 2
R517	A11368-18721	18.7KOHM 0.10W 1% SMT 0805	D 2
R518	A11368-18721	18.7KOHM 0.10W 1% SMT 0805	D 2
R519	A11368-10031	100.KOHM .1W 1% CHIP 0805	D 2
R520	A11368-82521	82.5K 0.10W 1%CHIP 0805	D 2
R521	A11368-82521	82.5K 0.10W 1%CHIP 0805	D 2
R522	A11368-10031	100.KOHM .1W 1% CHIP 0805	D 2
R523	A11368-10031	100.KOHM .1W 1% CHIP 0805	E 2
R524	A11368-82521	82.5K 0.10W 1%CHIP 0805	P 2
R525	A11368-10031	100.KOHM .1W 1% CHIP 0805	P 2
R526	A11368-10021	10K 1/10W 1% SMD 0805 T/R	P 2
R527	A11368-18721	18.7KOHM 0.10W 1% SMT 0805	P 2
R528	A11368-10031	100.KOHM .1W 1% CHIP 0805	P 2
R529	A11368-82521	82.5K 0.10W 1%CHIP 0805	P 2
R530	A11368-10031	100.KOHM .1W 1% CHIP 0805	P 2
R531	A11368-10031	100.KOHM .1W 1% CHIP 0805	P 2
R532	A11368-13331	133.KOHM .1W 1% CHIP 0805	E 1
R533	A11368-10031	100.KOHM .1W 1% CHIP 0805	G 3
R534	A11368-10031	100.KOHM .1W 1% CHIP 0805	G 3
R535	A11368-10031	100.KOHM .1W 1% CHIP 0805	F 3
R536	A11368-10031	100.KOHM .1W 1% CHIP 0805	F 3
R537	A11368-13331	133.KOHM .1W 1% CHIP 0805	G 3
R538	A11368-10R01	10 OHM .1W 1% 0805 T/R	G 3
R544	A11368-12741	1.27MOHM .1W 1% 0805 T/R	P 11
R545	A11368-12741	1.27MOHM .1W 1% 0805 T/R	P 11
R546	A11368-36531	RES, 365 KOHM 1% .1W 0805	P 11
R547	A11368-10031	100.KOHM .1W 1% CHIP 0805	P 11
R548	A11368-49921	49.9KOHM .1W 1% CHIP 0805	P 11
R549	A11368-10031	100.KOHM .1W 1% CHIP 0805	I 11
R550	A11368-75011	7.50K .10W 1% CHIP 0805	I 11
R551	A11368-10721	RES, 10.7K 1% 0.1W SMT 0805	I 12
R552	A11368-10031	100.KOHM .1W 1% CHIP 0805	I 11
R553	A11368-10031	100.KOHM .1W 1% CHIP 0805	I 11
R554	A11368-10521	10.5K .10W 1% MF 0805	I 11
R555	A11368-49911	4.99K 1/10W 1% SMD 0805 T/R	I 12
R556	A11368-10021	10K 1/10W 1% SMD 0805 T/R	L 11
R557	A11368-10021	10K 1/10W 1% SMD 0805 T/R	I 12
R563	A11368-10001	100 OHM 1% 0805 RES T/R	P 10
R564	A11368-15831	158KOHM .1W 1% 0805 T/R	N 12
R566	A11368-10001	100 OHM 1% 0805 RES T/R	P 10
R567	A11371-5R12	5.1OHM 0.125W 5% 1206 T/R	J 9
R568	A11371-5R12	5.1OHM 0.125W 5% 1206 T/R	I 9
R569	A11368-10001	100 OHM 1% 0805 RES T/R	O 10
R570	A11371-5R12	5.1OHM 0.125W 5% 1206 T/R	I 9

R571	A11368-13321	13.3K 0.10W 1% CHIP 0805	F 10
R572	A11368-10001	100 OHM 1% 0805 RES T/R	O 10
R574	A11368-27432	274K .125W 1% CHIP RES T/R	F 11
R575	A11368-10001	100 OHM 1% 0805 RES T/R	P 8
R576	A11368-37412	3.74KOHM .125W 1% 1206 T/R	A 2
R577	A11368-37412	3.74KOHM .125W 1% 1206 T/R	N 2
R578	A11368-10001	100 OHM 1% 0805 RES T/R	P 8
R579	A11368-20021	20.KOHM .1W 1% CHIP 0805	H 11
R580	A11368-22121	22.1K 0.10W 1% CHIP 0805	G 11
R581	A11368-10001	100 OHM 1% 0805 RES T/R	O 8
R582	A11371-1105	11 OHM 1W 5% 2512 T/R	N 3
R584	A11368-10001	100 OHM 1% 0805 RES T/R	O 8
R585	A11368-24911	2.49K 1/10W 1% SMD 0805 T/R	K 2
R586	A11368-49911	4.99K 1/10W 1% SMD 0805 T/R	K 11
R587	A11368-51R11	51.1 OHM 0.1W 1% MF 0805	P 9
R588	A11368-51R11	51.1 OHM 0.1W 1% MF 0805	O 9
R589	A11368-24911	2.49K 1/10W 1% SMD 0805 T/R	K 2
R590	A11368-49911	4.99K 1/10W 1% SMD 0805 T/R	G 11
R591	A11368-10031	100.KOHM .1W 1% CHIP 0805	F 12
R592	A11368-15021	15.0K, 0.10W 1% MF 0805	F 12
R593	A11368-40211	4.02K 1/10W 1% SMD 0805 T/R	F 12
R594	A11368-10001	100 OHM 1% 0805 RES T/R	L 12
R596	A11368-68131	681KOHM .1W 1% 0805 T/R	F 1
R597	A11368-68131	681KOHM .1W 1% 0805 T/R	F 1
R598	A11368-68131	681KOHM .1W 1% 0805 T/R	F 1
R599	A11368-68131	681KOHM .1W 1% 0805 T/R	G 1
R613	A11368-13031	130 KOHM 0.1W 1% 0805	F 3
R614	A11368-40221	40.2KOHM 0.10W 1% SMT 0805	F 3
R615	A11368-10041	1M OHM .1W 1% CHIP 0805	F 2
R616	A11368-10031	100.KOHM .1W 1% CHIP 0805	E 2
R617	A11368-18721	18.7KOHM 0.10W 1% SMT 0805	E 2
R618	A11368-18721	18.7KOHM 0.10W 1% SMT 0805	E 2
R619	A11368-10031	100.KOHM .1W 1% CHIP 0805	E 2
R620	A11368-82521	82.5K 0.10W 1%CHIP 0805	E 2
R621	A11368-82521	82.5K 0.10W 1%CHIP 0805	E 2
R622	A11368-10031	100.KOHM .1W 1% CHIP 0805	E 2
R623	A11368-10031	100.KOHM .1W 1% CHIP 0805	E 2
R624	A11368-82521	82.5K 0.10W 1%CHIP 0805	Q 2
R625	A11368-10031	100.KOHM .1W 1% CHIP 0805	Q 2
R626	A11368-10021	10K 1/10W 1% SMD 0805 T/R	Q 2
R627	A11368-18721	18.7KOHM 0.10W 1% SMT 0805	Q 2
R628	A11368-10031	100.KOHM .1W 1% CHIP 0805	Q 2
R629	A11368-82521	82.5K 0.10W 1%CHIP 0805	Q 2
R630	A11368-10031	100.KOHM .1W 1% CHIP 0805	Q 2
R631	A11368-10031	100.KOHM .1W 1% CHIP 0805	Q 2
R632	A11368-13331	133.KOHM .1W 1% CHIP 0805	Q 2
R633	A11368-10031	100.KOHM .1W 1% CHIP 0805	E 3
R634	A11368-10031	100.KOHM .1W 1% CHIP 0805	F 3
R635	A11368-10031	100.KOHM .1W 1% CHIP 0805	F 3
R636	A11368-10031	100.KOHM .1W 1% CHIP 0805	F 3
R637	A11368-13331	133.KOHM .1W 1% CHIP 0805	F 3
R638	A11368-10R01	10 OHM .1W 1% 0805 T/R	F 3
R644	A11368-12741	1.27MOHM .1W 1% 0805 T/R	O 11
R645	A11368-12741	1.27MOHM .1W 1% 0805 T/R	O 11
R646	A11368-36531	RES, 365 KOHM 1% .1W 0805	O 11
R647	A11368-10031	100.KOHM .1W 1% CHIP 0805	O 11
R648	A11368-49921	49.9KOHM .1W 1% CHIP 0805	O 11
R649	A11368-10031	100.KOHM .1W 1% CHIP 0805	I 11
R650	A11368-75011	7.50K .10W 1% CHIP 0805	I 11

R651	A11368-10721	RES, 10.7K 1% 0.1W SMT 0805	I 12
R652	A11368-10031	100.KOHM .1W 1% CHIP 0805	I 11
R653	A11368-10031	100.KOHM .1W 1% CHIP 0805	I 11
R654	A11368-10521	10.5K .10W 1% MF 0805	I 12
R655	A11368-49911	4.99K 1/10W 1% SMD 0805 T/R	J 12
R656	A11368-10021	10K 1/10W 1% SMD 0805 T/R	L 11
R657	A11368-10021	10K 1/10W 1% SMD 0805 T/R	I 12
R658	A11368-20031	200K 0.1W 1% SMD CHIP 0805	P 10
R659	A11368-30121	30.1K, 0.10W 1% MF 0805	P 10
R660	A11368-30121	30.1K, 0.10W 1% MF 0805	O 10
R661	A11368-20031	200K 0.1W 1% SMD CHIP 0805	O 10
R662	A11368-68131	681KOHM .1W 1% 0805 T/R	N 1
R667	A11368-68131	681KOHM .1W 1% 0805 T/R	N 1
R668	A11368-68131	681KOHM .1W 1% 0805 T/R	O 1
R669	A11368-68131	681KOHM .1W 1% 0805 T/R	O 2
R682	A11371-1105	11 OHM 1W 5% 2512 T/R	H 3
R687	A11368-51R11	51.1 OHM 0.1W 1% MF 0805	P 8
R688	A11368-51R11	51.1 OHM 0.1W 1% MF 0805	N 8
R801	A11368-10001	100 OHM 1% 0805 RES T/R	J 15
R802	A11368-10001	100 OHM 1% 0805 RES T/R	J 15
R803	A11368-10001	100 OHM 1% 0805 RES T/R	J 15
R804	A11368-10001	100 OHM 1% 0805 RES T/R	J 15
R805	A11368-10001	100 OHM 1% 0805 RES T/R	K 15
R806	A11368-10001	100 OHM 1% 0805 RES T/R	H 15
R807	A11368-10001	100 OHM 1% 0805 RES T/R	I 15
R808	A11368-10001	100 OHM 1% 0805 RES T/R	H 15
R809	A11368-10001	100 OHM 1% 0805 RES T/R	H 15
R810	A11368-10001	100 OHM 1% 0805 RES T/R	H 15
R900	133910-1	RES, 27KOHM 5% 2W RAD T/R	F 9
R901	133910-1	RES, 27KOHM 5% 2W RAD T/R	L 9
R902	A11371-2023	2K OHM .25W 5% 1210 T/R	E 11
R903	A11368-20021	20.KOHM .1W 1% CHIP 0805	E 11
R905	A11368-10031	100.KOHM .1W 1% CHIP 0805	D 12
R907	A11368-16521	16.5KOHM .1W 1% 0805 T/R	F 12
R908	A11368-24921	24.9K 1/10W 1% SMD 0805 T/R	F 12
R909	A11368-75021	75K 1/10W 1% SMD 0805 T/R	D 12
R910	A11368-10021	10K 1/10W 1% SMD 0805 T/R	E 12
R911	A11368-56221	56.2K OHM .1W 1% 0805 T/R	D 12
R912	A11368-20021	20.KOHM .1W 1% CHIP 0805	E 12
R913	A11368-22121	22.1K 0.10W 1% CHIP 0805	D 12
R914	A11368-75021	75K 1/10W 1% SMD 0805 T/R	C 12
R915	A11368-30931	RES, 309K OHM 1% 0.10W 0805	D 12
R916	A11368-15831	158KOHM .1W 1% 0805 T/R	D 12
R917	A11368-20021	20.KOHM .1W 1% CHIP 0805	D 12
R918	A11368-20031	200K 0.1W 1% SMD CHIP 0805	D 11
R919	A11368-10031	100.KOHM .1W 1% CHIP 0805	D 11
R920	A11368-10021	10K 1/10W 1% SMD 0805 T/R	D 12
R921	A11368-10021	10K 1/10W 1% SMD 0805 T/R	D 12
R922	A11368-20021	20.KOHM .1W 1% CHIP 0805	D 11
R923	A11368-20021	20.KOHM .1W 1% CHIP 0805	D 11
R924	A11368-20021	20.KOHM .1W 1% CHIP 0805	D 11
R925	A11368-20021	20.KOHM .1W 1% CHIP 0805	D 11
R926	A11368-31611	3.16K 0.1W 1% 0805 T/R	D 11
R927	A11368-10031	100.KOHM .1W 1% CHIP 0805	D 12
R928	A11368-49931	499KOHM .1W 1% 0805 T/R	D 12
R929	A11368-49931	499KOHM .1W 1% 0805 T/R	E 12
R930	A11368-49931	499KOHM .1W 1% 0805 T/R	E 12
R931	A11368-10031	100.KOHM .1W 1% CHIP 0805	E 12
R932	A11368-10021	10K 1/10W 1% SMD 0805 T/R	E 11

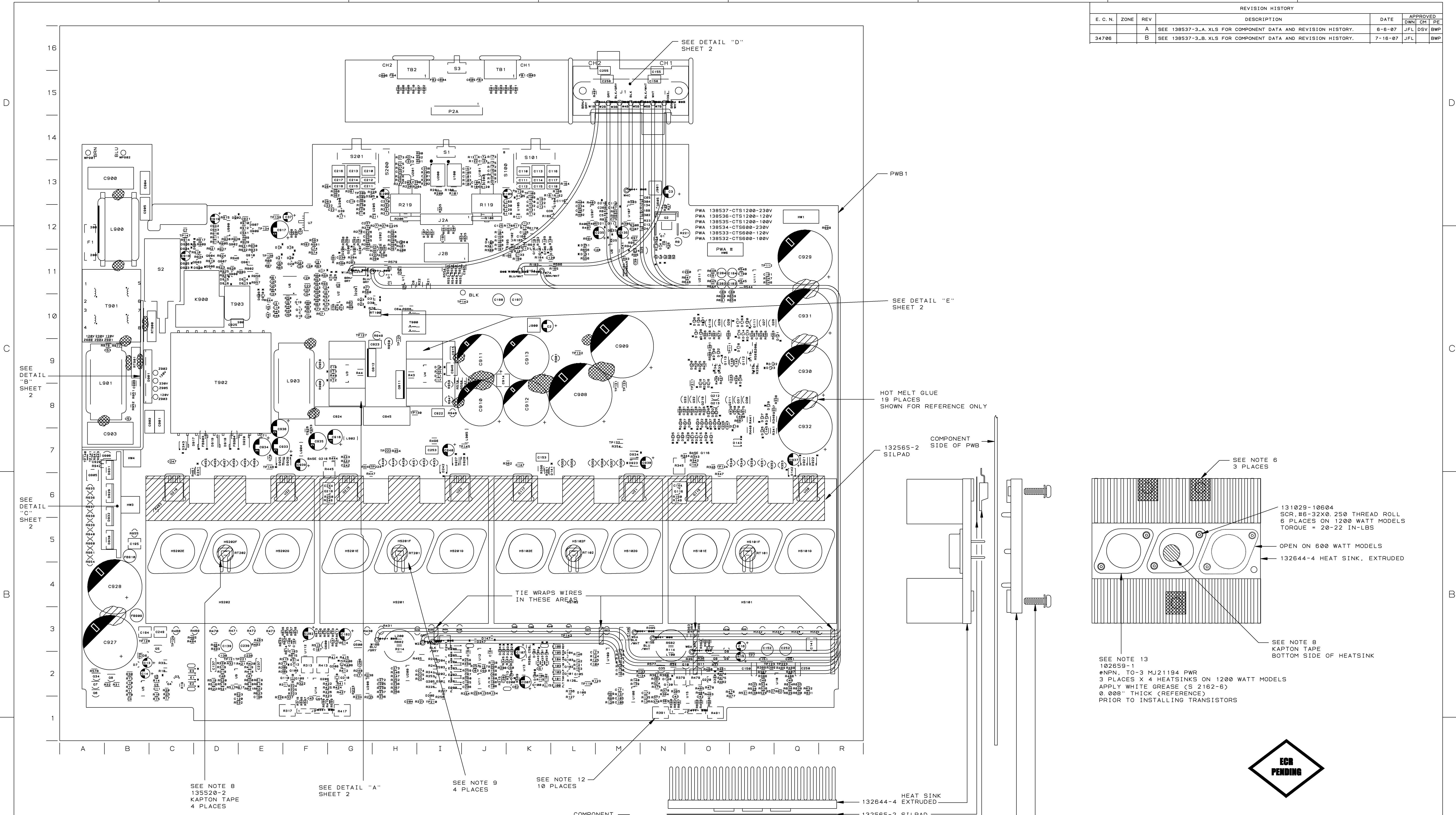
R933	A11368-49921	49.9KOHM .1W 1% CHIP 0805	E 11
R934	A11368-10021	10K 1/10W 1% SMD 0805 T/R	D 11
R935	132560-1	RES, 220 OHM 5% 2W RADIAL	A 6
R936	132560-1	RES, 220 OHM 5% 2W RADIAL	A 6
R937	132560-1	RES, 220 OHM 5% 2W RADIAL	A 6
R938	132560-1	RES, 220 OHM 5% 2W RADIAL	A 6
R939	132560-1	RES, 220 OHM 5% 2W RADIAL	A 5
R940	132560-1	RES, 220 OHM 5% 2W RADIAL	A 5
R941	A11368-10011	1.KOHM .1W 1% CHIP 0805	A 7
R942	A11368-10011	1.KOHM .1W 1% CHIP 0805	A 7
R943	A11368-10011	1.KOHM .1W 1% CHIP 0805	A 7
R944	A11368-24921	24.9K 1/10W 1% SMD 0805 T/R	E 10
R946	A11371-2724	2.7 KOHM .5W 5% 2010 T/R	D 11
R947	132559-1	RES, 8.2 OHM 5% 2W RADIAL	I 8
R948	132559-1	RES, 8.2 OHM 5% 2W RADIAL	I 8
R949	132559-1	RES, 8.2 OHM 5% 2W RADIAL	H 10
R950	132559-1	RES, 8.2 OHM 5% 2W RADIAL	H 9
R951	A11371-2204	22 OHM .5W 5% 2010 T/R	B 8
R952	A11371-2204	22 OHM .5W 5% 2010 T/R	B 8
R953	A11368-1R001	1 OHM .1W 1% 0805 T/R	F 7
R954	133910-1	RES, 27KOHM 5% 2W RAD T/R	A 5
R955	133910-1	RES, 27KOHM 5% 2W RAD T/R	B 5
R956	A11368-80R64	80.6 OHM 1% 0.50W 2010 T/R	E 11
R957	A11368-80R64	80.6 OHM 1% 0.50W 2010 T/R	E 11
R958	133910-1	RES, 27KOHM 5% 2W RAD T/R	I 8
R959	133910-1	RES, 27KOHM 5% 2W RAD T/R	F 9
R960	132560-1	RES, 220 OHM 5% 2W RADIAL	A 5
R961	132560-1	RES, 220 OHM 5% 2W RADIAL	A 5
R966	A11368-1R001	1 OHM .1W 1% 0805 T/R	H 10
R977	A11368-47532	475 KOHM .125W 1% CHIP RES	B 9
R978	A11368-47532	475 KOHM .125W 1% CHIP RES	B 9
R999	A11368-20031	200K 0.1W 1% SMD CHIP 0805	R 12
RT100	132095-1	NTC, 20K J 2% W/CONNECTOR	H 10
RT101	133188-1	THERMISTOR, 20K NTC 0805 SMT	P 5
RT102	133188-1	THERMISTOR, 20K NTC 0805 SMT	L 5
RT201	133188-1	THERMISTOR, 20K NTC 0805 SMT	H 5
RT202	133188-1	THERMISTOR, 20K NTC 0805 SMT	D 5
RT900	138466-1	PRP, 101103-1 PTC .125	C 10
RT901	138466-1	PRP, 101103-1 PTC .125	B 9
S1	C 7325-1	2POLE 2POS PC SLIDE SWITCH	I 14
S2	132498-1	SWITCH, DPST PUSHBUTTON VDECSA	C 10
S3	C 7325-1	2POLE 2POS PC SLIDE SWITCH	I 16
S100	131589-1	SWITCH, 2P3T SLIDE VRT PCB MNT	J 13
S101	127386-1	SWITCH, 4P3T SLIDE R/A PCB MNT	K 14
S200	131589-1	SWITCH, 2P3T SLIDE VRT PCB MNT	H 13
S201	127386-1	SWITCH, 4P3T SLIDE R/A PCB MNT	G 14
T900	138362-1	PRP, 134525-2 XFMR .125	H 10
T901	137838-1	XFMR, 5.0VA 115V/230V 28V C.T.	B 10
T902	133382-2	XFMR, CTS BJT 125KHZ POWER	D 9
T903	132050-1	XFMR, CURRENT 1:200	D 10
TB1	C 9676-5	3 POS, R/A 5MM HDR RND PIN	K 15
TB2	C 9676-5	3 POS, R/A 5MM HDR RND PIN	I 15
TP6	127064-1	TEST POINT, SMT 1206	B 2
TP7	127064-1	TEST POINT, SMT 1206	P 2
TP109	127064-1	TEST POINT, SMT 1206	K 13
TP110	127064-1	TEST POINT, SMT 1206	L 2
TP111	127064-1	TEST POINT, SMT 1206	P 9
TP112	127064-1	TEST POINT, SMT 1206	P 11
TP121	127064-1	TEST POINT, SMT 1206	D 2

TP122	127064-1	TEST POINT, SMT 1206	M 7
TP123	127064-1	TEST POINT, SMT 1206	P 2
TP124	127064-1	TEST POINT, SMT 1206	O 7
TP125	127064-1	TEST POINT, SMT 1206	H 9
TP127	127064-1	TEST POINT, SMT 1206	G 10
TP128	127064-1	TEST POINT, SMT 1206	B 3
TP129	127064-1	TEST POINT, SMT 1206	C 3
TP130	127064-1	TEST POINT, SMT 1206	H 8
TP131	127064-1	TEST POINT, SMT 1206	M 8
TP132	127064-1	TEST POINT, SMT 1206	L 9
TP133	127064-1	TEST POINT, SMT 1206	M 8
TP134	127064-1	TEST POINT, SMT 1206	F 12
TP138	127064-1	TEST POINT, SMT 1206	E 11
TP139	127064-1	TEST POINT, SMT 1206	E 12
TP140	127064-1	TEST POINT, SMT 1206	A 7
TP141	127064-1	TEST POINT, SMT 1206	A 7
TP142	127064-1	TEST POINT, SMT 1206	J 10
TP143	127064-1	TEST POINT, SMT 1206	L 3
TP145	127064-1	TEST POINT, SMT 1206	J 7
TP146	127064-1	TEST POINT, SMT 1206	E 7
TP147	127064-1	TEST POINT, SMT 1206	C 12
TP209	127064-1	TEST POINT, SMT 1206	G 13
TP210	127064-1	TEST POINT, SMT 1206	I 1
TP211	127064-1	TEST POINT, SMT 1206	O 9
TP221	127064-1	TEST POINT, SMT 1206	E 2
TP222	127064-1	TEST POINT, SMT 1206	H 7
TP223	127064-1	TEST POINT, SMT 1206	Q 2
TP224	127064-1	TEST POINT, SMT 1206	H 7
U1	131790-1	EEPROM, SERIAL 256X8 SMT	H 11
U2	126556-1	OP AMP, LM324ADR SOIC-14 QUAD	G 10
U3	133328-1	IC, HEX BUFF NON INV 16P SOIC	G 9
U4	133328-1	IC, HEX BUFF NON INV 16P SOIC	I 9
U5	C 9038-8	COMPARATOR, QUAD LM339D SO-14	B 2
U6	132265-1	IC, CONTROLLER UC3846 SMD	F 11
U7	102484-1	REG +15V D2PAK 2.25W	F 12
U8	C 9038-8	COMPARATOR, QUAD LM339D SO-14	M 11
U9	C 9012-3	OP AMP, QUAD LO NOISE MC33079D	D 2
U10	C 9012-3	OP AMP, QUAD LO NOISE MC33079D	Q 2
U11	126556-1	OP AMP, LM324ADR SOIC-14 QUAD	J 2
U12	C 9038-8	COMPARATOR, QUAD LM339D SO-14	J 2
U13	126556-1	OP AMP, LM324ADR SOIC-14 QUAD	K 2
U14	132640-1	IC, DUAL TRANSCONDUCT OP AMP	F 2
U15	132640-1	IC, DUAL TRANSCONDUCT OP AMP	O 2
U20	133491-1	FORMED, C 5095-2 (7815)	Q 6
U21	133492-1	FORMED, C 5096-0 (7915)	M 6
U22	133491-1	FORMED, C 5095-2 (7815)	F 6
U23	133492-1	FORMED, C 5096-0 (7915)	I 6
U100	139499-1	OPTOCOUPLER, MACRON INTL MI0202CLD-R	I 13
U101	C 9012-3	OP AMP, QUAD LO NOISE MC33079D	J 13
U102	C 9012-3	OP AMP, QUAD LO NOISE MC33079D	K 12
U104	134835-1	OP AMP, OP07 LOW OFFSET SO8	L 13
U105	C 9038-8	COMPARATOR, QUAD LM339D SO-14	K 12
U107	C 9038-8	COMPARATOR, QUAD LM339D SO-14	M 12
U108	C 9038-8	COMPARATOR, QUAD LM339D SO-14	M 2
U109	C 9038-8	COMPARATOR, QUAD LM339D SO-14	M 2
U111	C 9038-8	COMPARATOR, QUAD LM339D SO-14	P 11
U112	C 9012-3	OP AMP, QUAD LO NOISE MC33079D	F 3
U200	139499-1	OPTOCOUPLER, MACRON INTL MI0202CLD-R	I 13
U201	C 9012-3	OP AMP, QUAD LO NOISE MC33079D	H 13

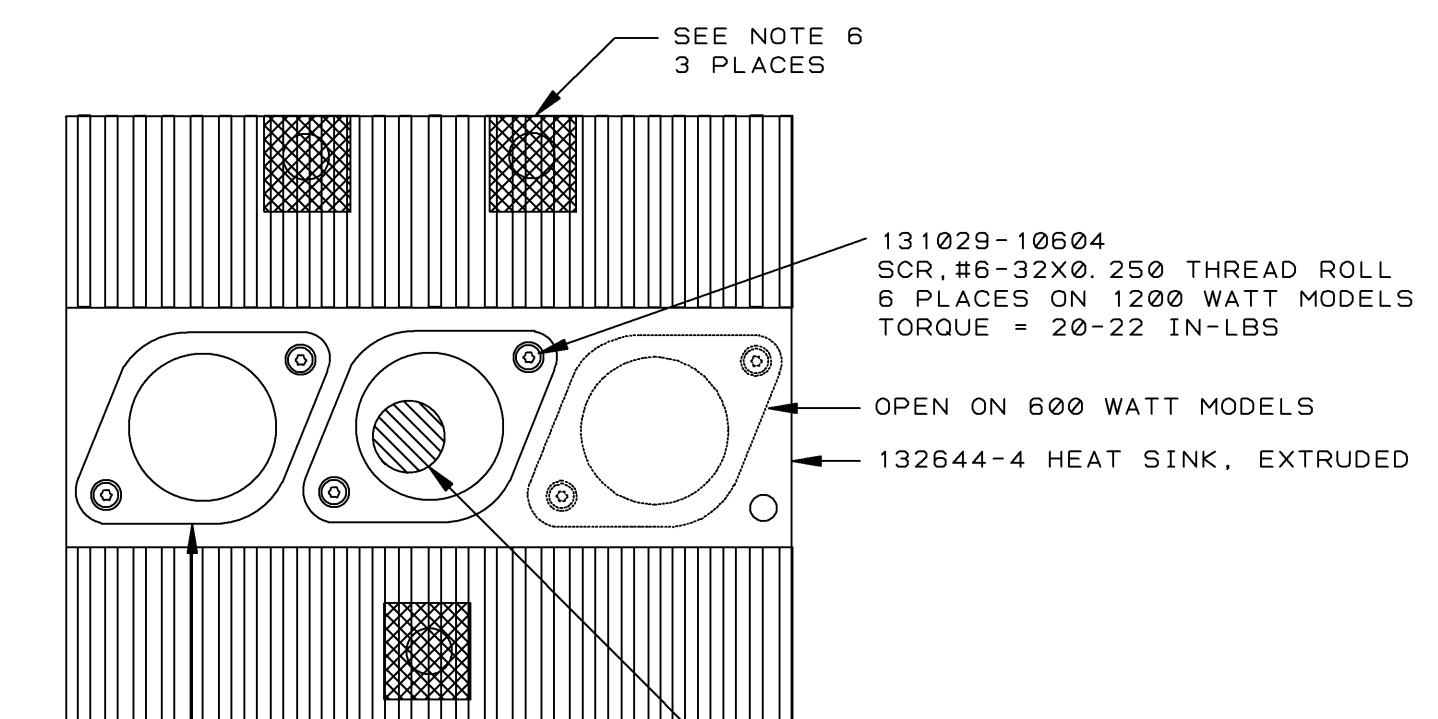
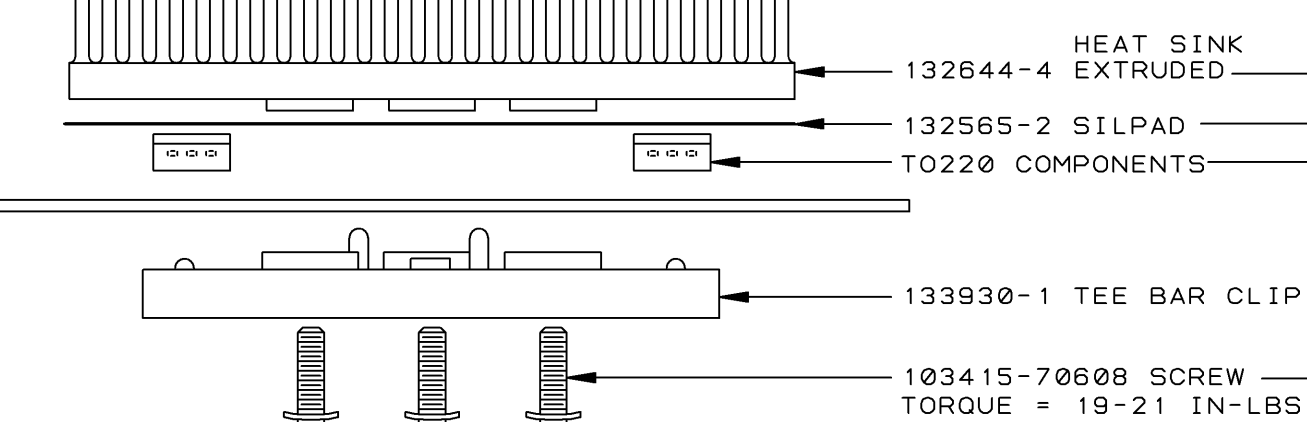
U202	C 9012-3	OP AMP, QUAD LO NOISE MC33079D	H 12
U204	134835-1	OP AMP,OP07 LOW OFFSET SO8	G 13
U205	C 9038-8	COMPARATOR, QUAD LM339D SO-14	H 12
U207	C 9038-8	COMPARATOR, QUAD LM339D SO-14	L 12
U208	C 9038-8	COMPARATOR, QUAD LM339D SO-14	G 2
U209	C 9038-8	COMPARATOR, QUAD LM339D SO-14	H 2
U211	C 9038-8	COMPARATOR, QUAD LM339D SO-14	O 11
U900	C 9038-8	COMPARATOR, QUAD LM339D SO-14	D 12
W1A	134211-1	WIRE ASSY, 14GA BRN/GRY 10.5"	G 11
W1B		OPEN	M 15
W2A	134207-2	WIRE ASSY, 14GA GRY 25.5"	I 3
W2B		OPEN	M 15
W3A	134208-2	WIRE ASSY, 14GA BLK/GRY 25.5"	I 3
W3B		OPEN	M 15
W4B		OPEN	M 15
W4C	139572-1	WIRE ASSY, 14GA BLK 6.5"	M 13
W5A	134210-2	WIRE ASSY, 14GA BLK/WHT 22.0"	M 3
W5B		OPEN	N 15
W6A	134209-2	WIRE ASSY, 14GA WHT 20.5"	O 2
W6B		OPEN	N 15
W7A	134212-1	WIRE ASSY, 14GA BRN/WHT 7.0"	K 11
W7B		OPEN	N 15
W15A	135036-1	WIRE ASSY, 14GA BLU/WHT 20.5"	K 11
W15B		OPEN	N 3
W16A	135035-1	WIRE ASSY, 14GA BLU/GRY 30.0"	G 11
W16B		OPEN	H 3
WP901	134204-2	WIRE ASSY, 14GA BRN 5.0" LINE	A 14
WP902	134205-2	WIRE ASSY, 14GA BLU 5.0" NTRL	B 14
Z900		OPEN	A 9
Z901		OPEN	B 9
Z902		OPEN	C 9
Z903		OPEN	C 8
Z904	A11371-0R02	0. OHM .125W 5% CHIP RES T/R	A 9
Z905	134606-1	JUMPER, 14AWG BUS WIRE	C 9

Section 2.3
CTs1200 230V Schematic 138537-3

REVISION HISTORY					
E. C. N.	ZONE	REV	DESCRIPTION	DATE	APPROVED
					DWN CM PE
34706		A	SEE 138537-3_A.XLS FOR COMPONENT DATA AND REVISION HISTORY.	6-6-07	JFL DSV BWP
		B	SEE 138537-3_B.XLS FOR COMPONENT DATA AND REVISION HISTORY.	7-16-07	JFL BWP



COMPONENT MAP
TOP SIDE



SEE NOTE 8
135520-2
KAPTON TAPE
4 PLACES

SEE DETAIL "A"
SHEET 2

SEE NOTE 9
4 PLACES

SEE NOTE 12
10 PLACES

HEAT SINK
132644-4 EXTRUDED

132565-2 SILPAD
TO220 COMPONENTS

133930-1 TEE BAR CLIP

103415-70608 SCREW
TORQUE = 19-21 IN-LBS

HOT MELT GLUE
19 PLACES
SHOWN FOR REFERENCE ONLY

132565-2
SILPAD

COMPONENT
SIDE OF PWB

SEE NOTE 6
3 PLACES

131029-10604
SCR, #6-32X.0.250 THREAD ROLL
6 PLACES ON 1200 WATT MODELS
TORQUE = 20-22 IN-LBS

OPEN ON 600 WATT MODELS
132644-4 HEAT SINK, EXTRUDED

SEE NOTE 8
KAPTON TAPE
BOTTOM SIDE OF HEATSINK

SEE NOTE 13
102659-1
#NPN, TO-3 MJ21194 PWR
3 PLACES X 4 HEATSINKS ON 1200 WATT MODELS
APPLY WHITE GREASE (S 2162-6)
0.008" THICK (REFERENCE)
PRIOR TO INSTALLING TRANSISTORS

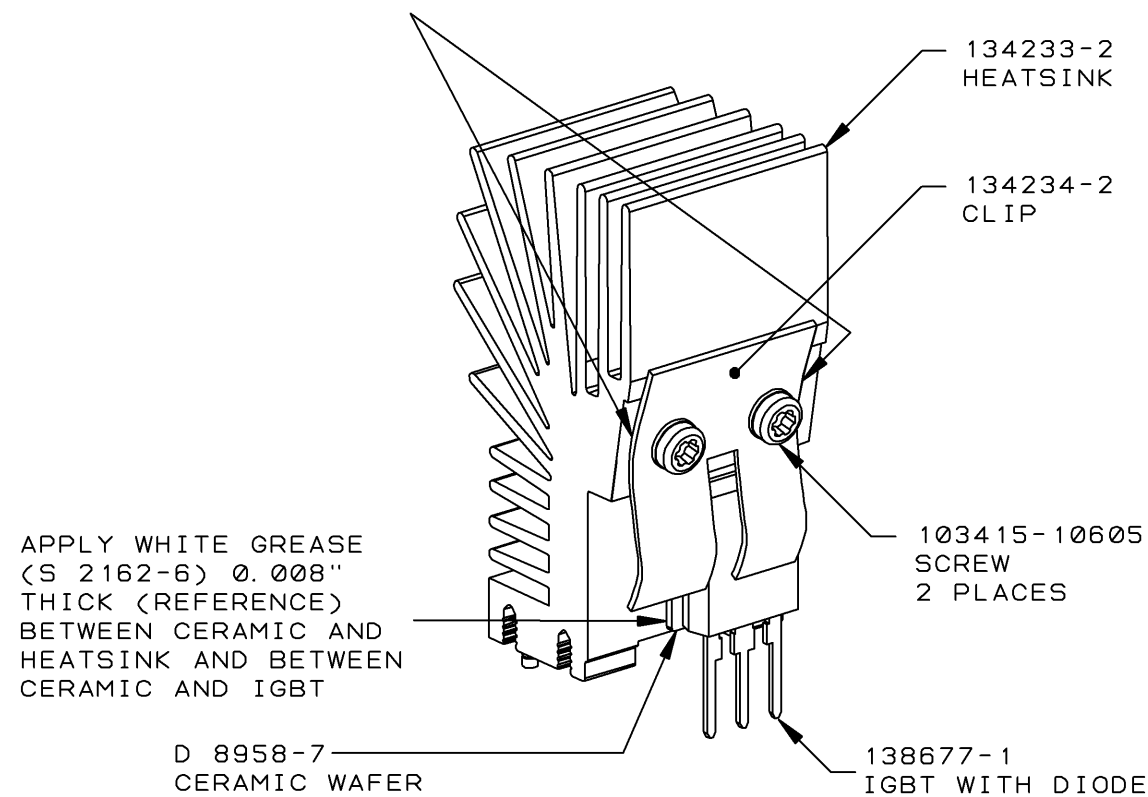


DWN	JFL	6-6-07	 CROWN H A Harman International Company 1718 WEST MISHAWAKA RD. ELKHART IN. 46517 PHONE 574-294-8000 WWW.CROWNAUDIO.COM	TITLE	PWA, CTS1200 230V
CM	DSV	6-6-07		DISTRIBUTION	K
PE	BP	6-6-07		FILENAME	138537-3_B_01.PCB
SIZE	DWG NO.		TOLERANCE UNLESS OTHERWISE SPECIFIED		
D			.00 = ±.02"		
			.000 = ±.010"		
			DRILLS = ±.003"		
DO NOT SCALE DRAWING	SCALE NONE	PROJ NO. MD43300	SHEET 1 OF 6	REV	B

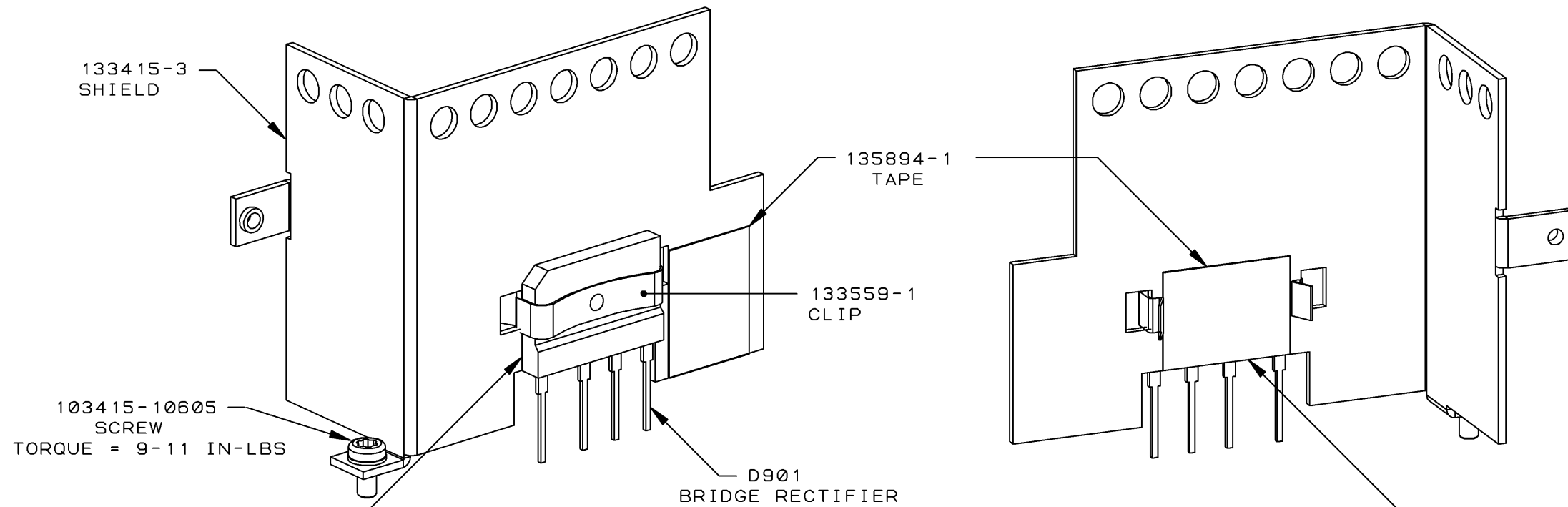
UNCONTROLLED
UNLESS OTHERWISE MARKED IN RED INK BY CM AS A
CONTROLLED COPY. COPIES OF THESE DOCUMENTS
INCLUDING ASSOCIATED ELECTRONIC REPRODUCTIONS
ARE FOR REFERENCE ONLY.
THESE DRAWINGS AND SPECIFICATIONS ARE THE
PROPERTY OF CROWN INTERNATIONAL, INC. AND
SHALL NOT BE REPRODUCED, COPIED, OR USED
AS THE BASIS FOR THE MANUFACTURE OR SALE
OF APPARATUS OR DEVICES WITHOUT PERMISSION.

TORQUE MAY NEED TO BE ADJUSTED TO ACHIEVE THE REQUIREMENTS BELOW:

1. THREADS MUST NOT BE STRIPPED.
2. THE FORCE OF THE SCREW MUST BEND THE CLIPS SO THAT THEY EITHER TOUCH OR ARE WITHIN 0.004" OF THE HEATSINK AT THE TWO PLACES INDICATED.



DETAIL "A"
SCALE 1:1



FRONT VIEW

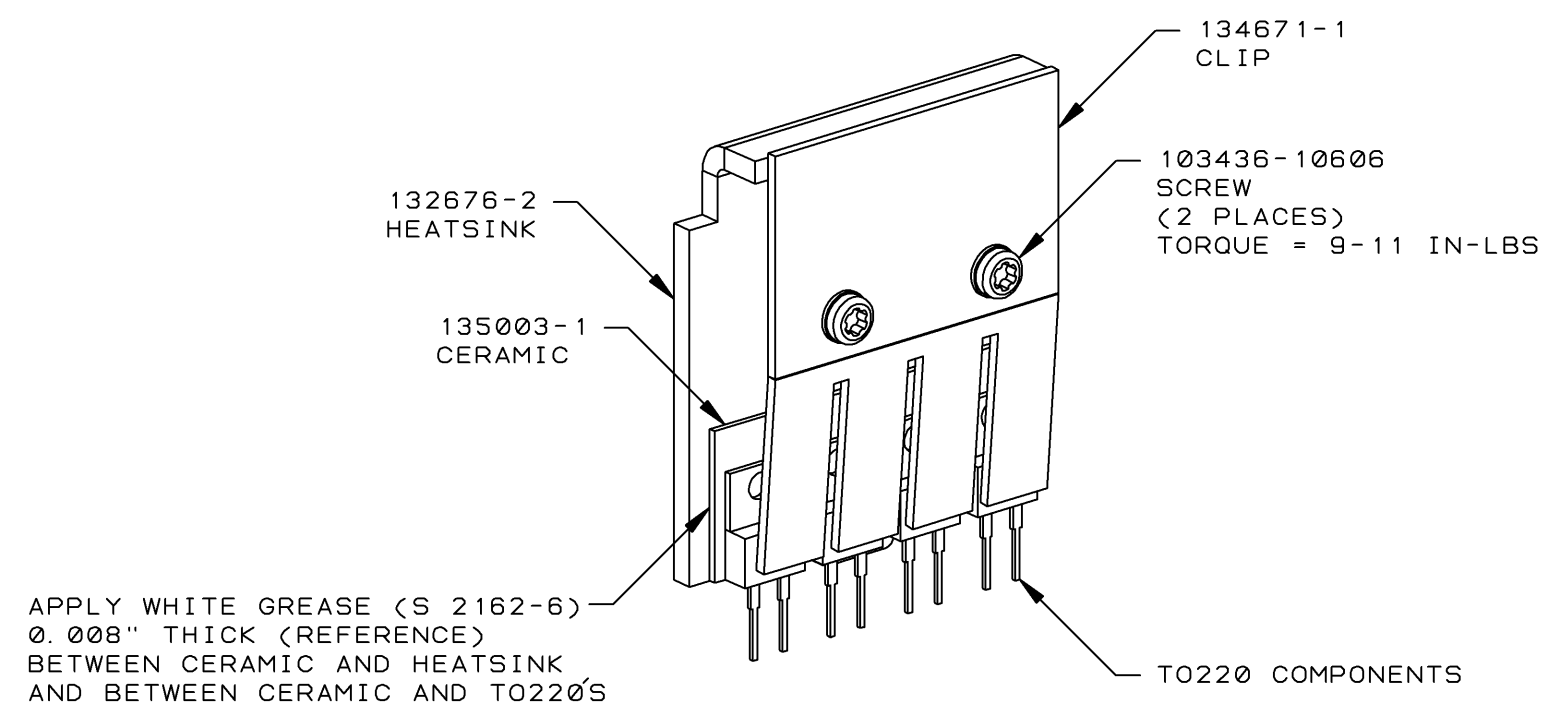
BACK VIEW

DETAIL "B"
SCALE 1:1

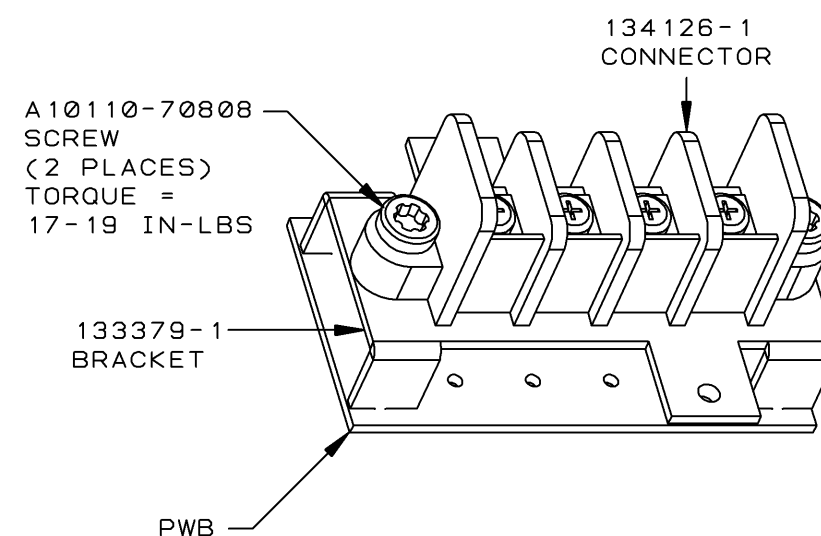
ALL METAL MUST BE COVERED BY INSULATOR ALONG THIS EDGE OF SHIELD

TORQUE MAY NEED TO BE ADJUSTED TO ACHIEVE THE REQUIREMENTS BELOW:

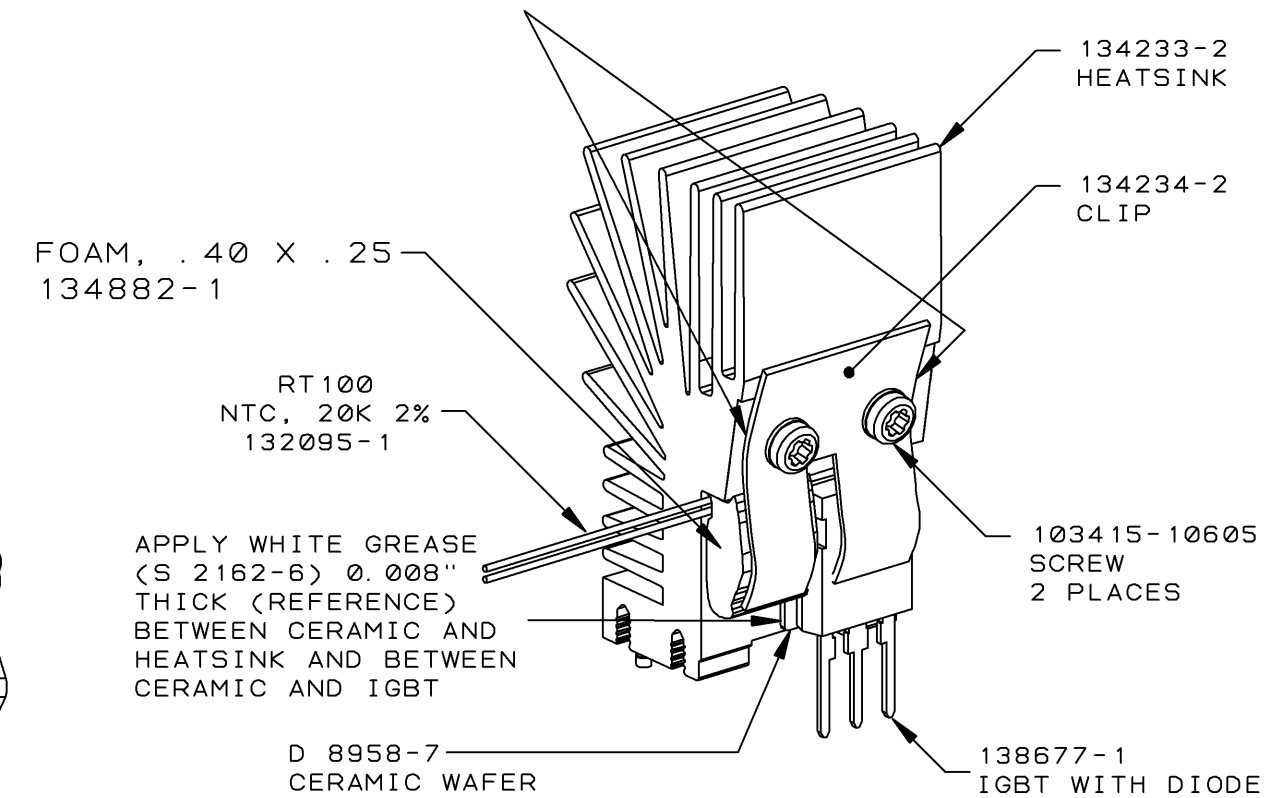
1. THREADS MUST NOT BE STRIPPED.
2. THE FORCE OF THE SCREW MUST BEND THE CLIPS SO THAT THEY EITHER TOUCH OR ARE WITHIN 0.004" OF THE HEATSINK AT THE TWO PLACES INDICATED.



DETAIL "C"
SCALE 1:1



DETAIL "D"
SCALE 1:1

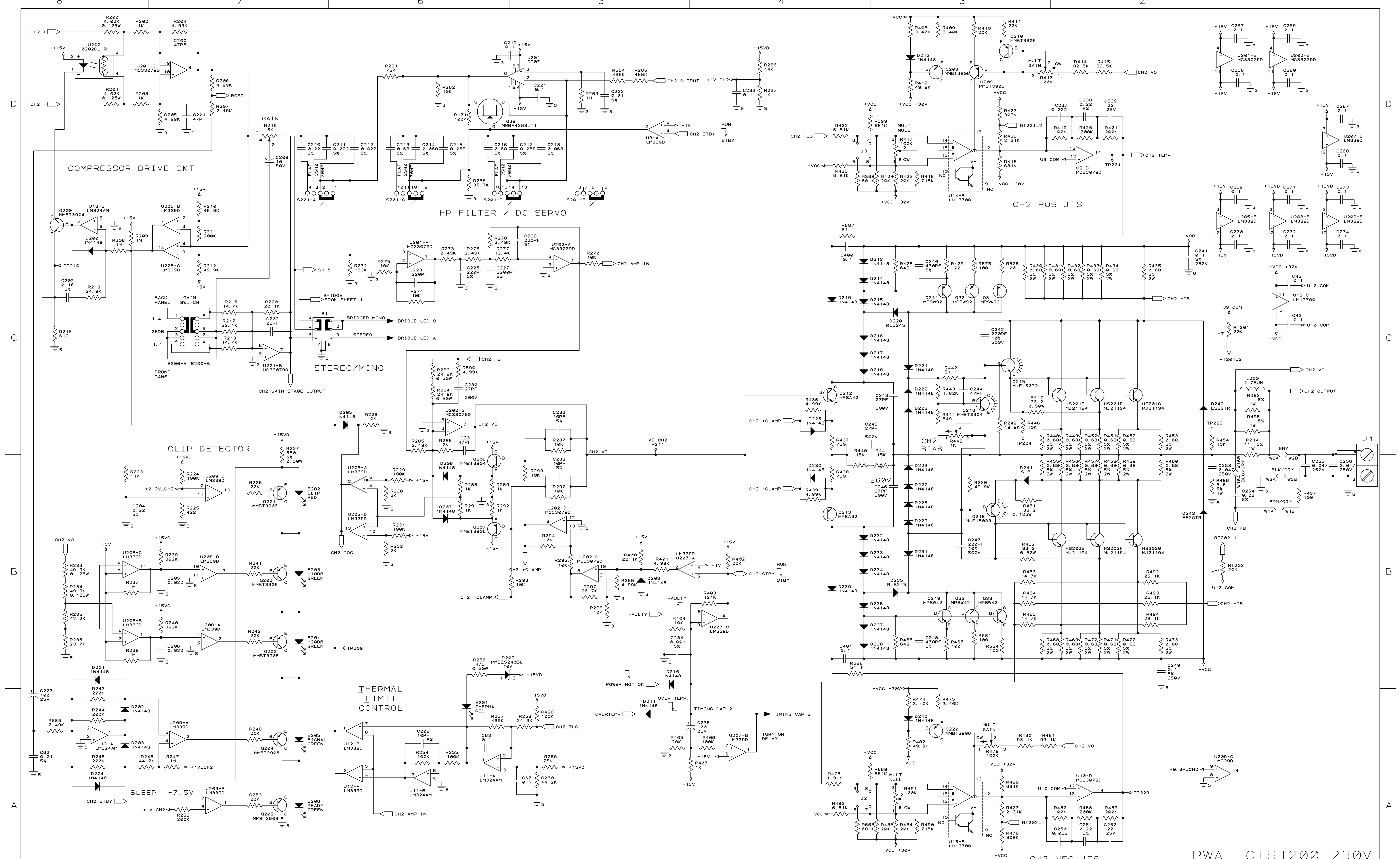


Q911 ONLY
DETAIL "E"
SCALE 1:1

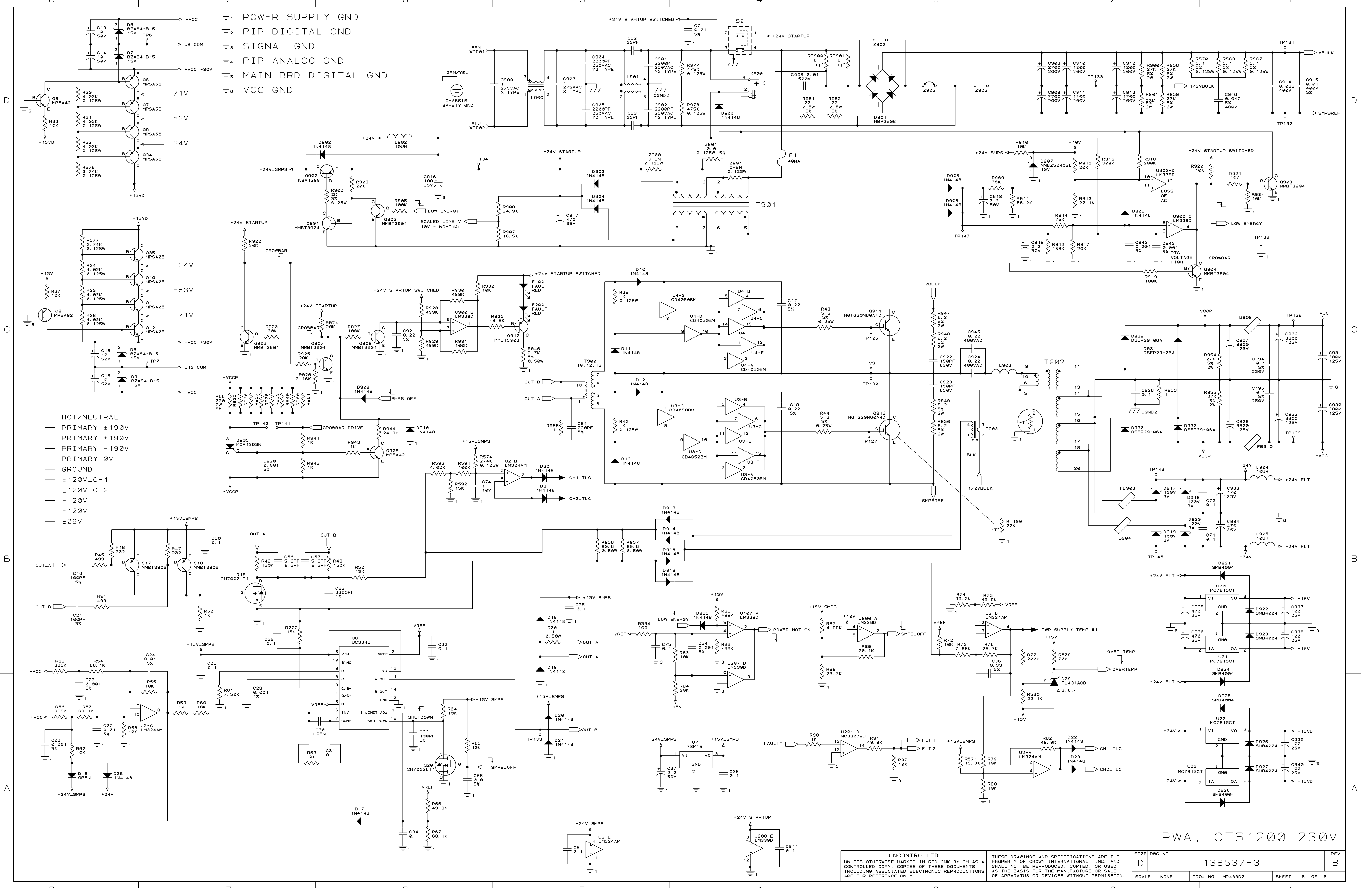
UNCONTROLLED
UNLESS OTHERWISE MARKED IN RED INK BY CM AS A CONTROLLED COPY. COPIES OF THESE DOCUMENTS INCLUDING ASSOCIATED ELECTRONIC REPRODUCTIONS ARE FOR REFERENCE ONLY.

THESE DRAWINGS AND SPECIFICATIONS ARE THE PROPERTY OF CROWN INTERNATIONAL, INC. AND SHALL NOT BE REPRODUCED, COPIED, OR USED AS THE BASIS FOR THE MANUFACTURE OR SALE OF APPARATUS OR DEVICES WITHOUT PERMISSION.

SIZE	DWG NO.	REV
C	138537-3	B
SCALE NONE	PROJ NO. MD433D0	SHEET 2 OF 6



UNCONTROLLED UNLESS OTHERWISE MARKED IN RED INK BY CM AS A CONTROLLED COPY. COPIES OF THESE DOCUMENTS INCLUDING ASSOCIATED ELECTRONIC REPRODUCTIONS ARE FOR REFERENCE ONLY.		THESE DRAWINGS AND SPECIFICATIONS ARE THE PROPERTY OF CROWN INTERNATIONAL, INC. AND SHALL NOT BE REPRODUCED, COPIED, OR USED AS THE BASIS FOR THE MANUFACTURE OR SALE OF APPARATUS OR DEVICES WITHOUT PERMISSION.		SIZE DWG NO. D 138537-3	REV B
SCALE NONE	PROJ NO. MD43300	SHEET 4 OF 6			



- ≡1 POWER SUPPLY GND
- ≡2 PIP DIGITAL GND
- ≡3 SIGNAL GND
- ≡4 PIP ANALOG GND
- ≡5 MAIN BRD DIGITAL GND
- ≡6 VCC GND

- HOT/NEUTRAL
- PRIMARY ±190V
- PRIMARY +190V
- PRIMARY -190V
- PRIMARY 0V
- GROUND
- ±120V_CH1
- ±120V_CH2
- +120V
- -120V
- ±26V

PWA, CTS1200 230V

UNCONTROLLED UNLESS OTHERWISE MARKED IN RED INK BY CM AS A CONTROLLED COPY. COPIES OF THESE DOCUMENTS INCLUDING ASSOCIATED ELECTRONIC REPRODUCTIONS ARE FOR REFERENCE ONLY.		THESE DRAWINGS AND SPECIFICATIONS ARE THE PROPERTY OF CROWN INTERNATIONAL, INC. AND SHALL NOT BE REPRODUCED, COPIED, OR USED AS THE BASIS FOR THE MANUFACTURE OR SALE OF APPARATUS OR DEVICES WITHOUT PERMISSION.		SIZE D	DWG NO. 138537-3	REV B
SCALE NONE	PROJ NO. MD43300	SHEET 6 OF 6				