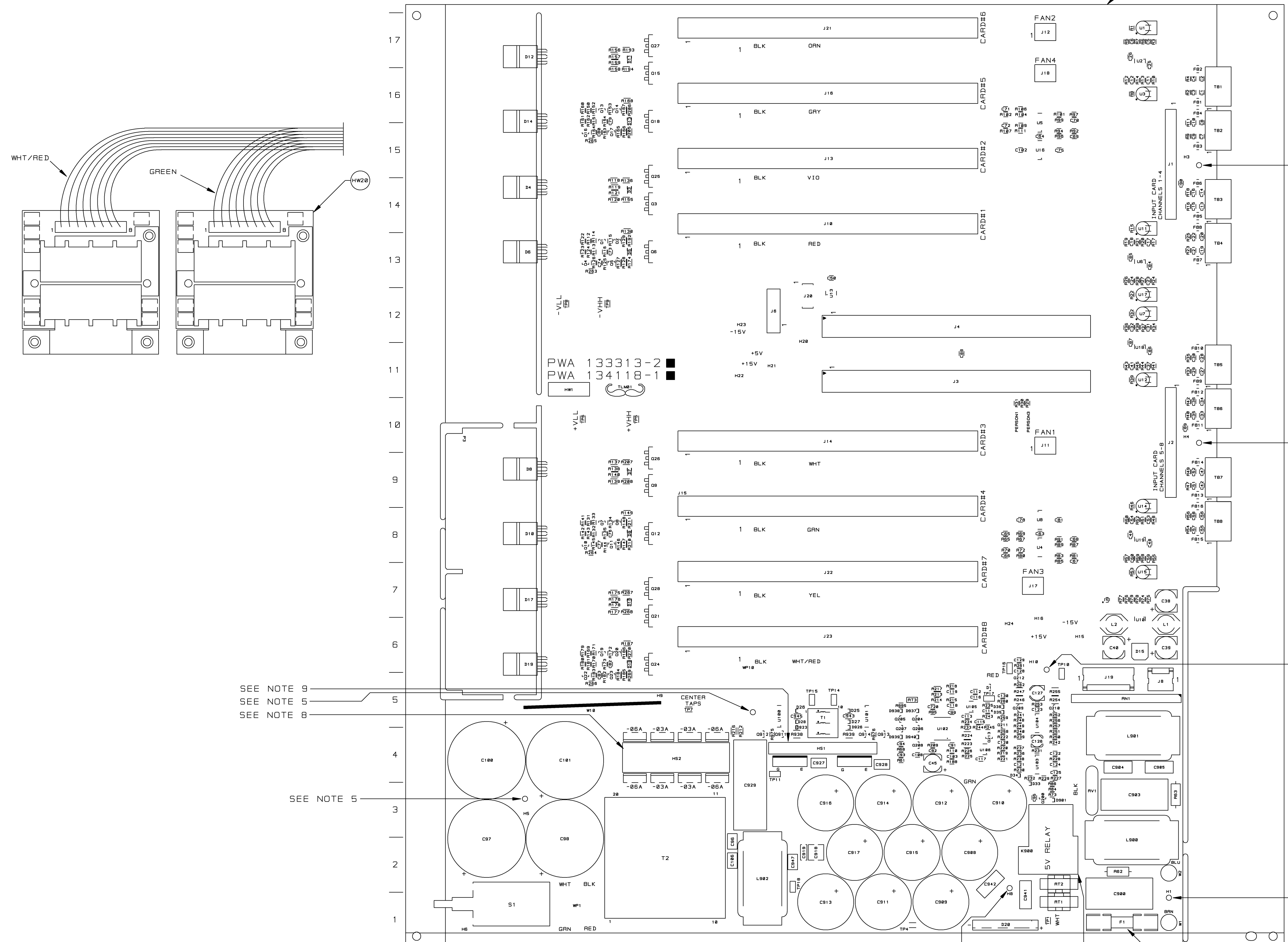


COMPONENT MAP
TOP SIDE

REVISION HISTORY				APPROVED	
E. C. N.	ZONE	REV	DESCRIPTION	DATE	PE
		A	SEE 134118-4-A.XLS FOR REVISION HISTORY AND DATA.	04-14-03	TJM
03N0294		B	SEE 134118-4-B.XLS FOR REVISION HISTORY AND DATA.	05-12-03	TJM



D
C
B
A

17
16
15
14
13
12
11
10
9
8
7
6
5
4
3
2
1

A B C D E F G H I J K L M N O P

SEE NOTE 9
SEE NOTE 5
SEE NOTE 8

SEE NOTE 5

SEE NOTE 5

SEE NOTE 5

SEE NOTE 5

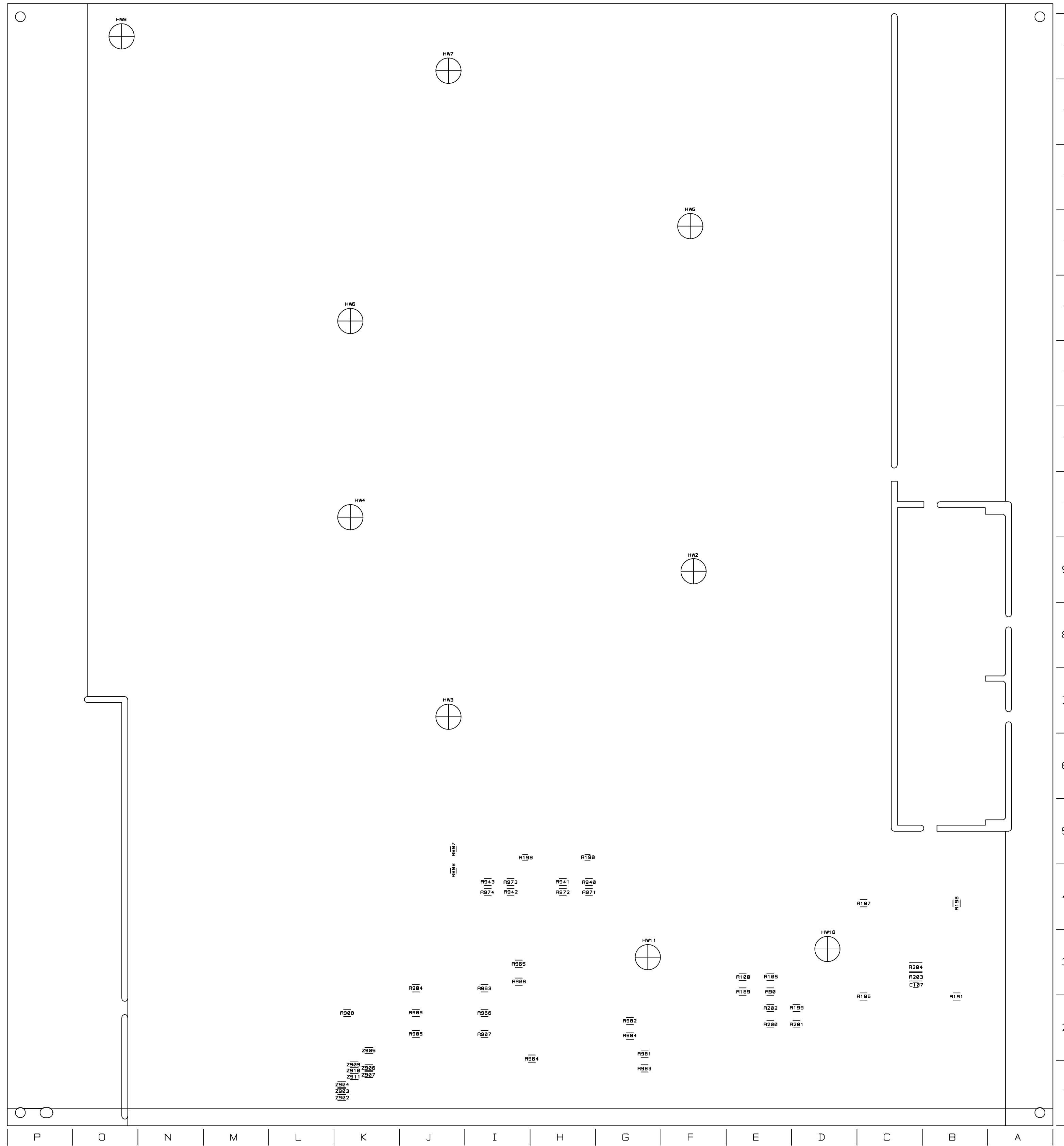
SEE NOTE 5

SEE NOTE 5 SEE NOTE 4 SEE NOTE 11

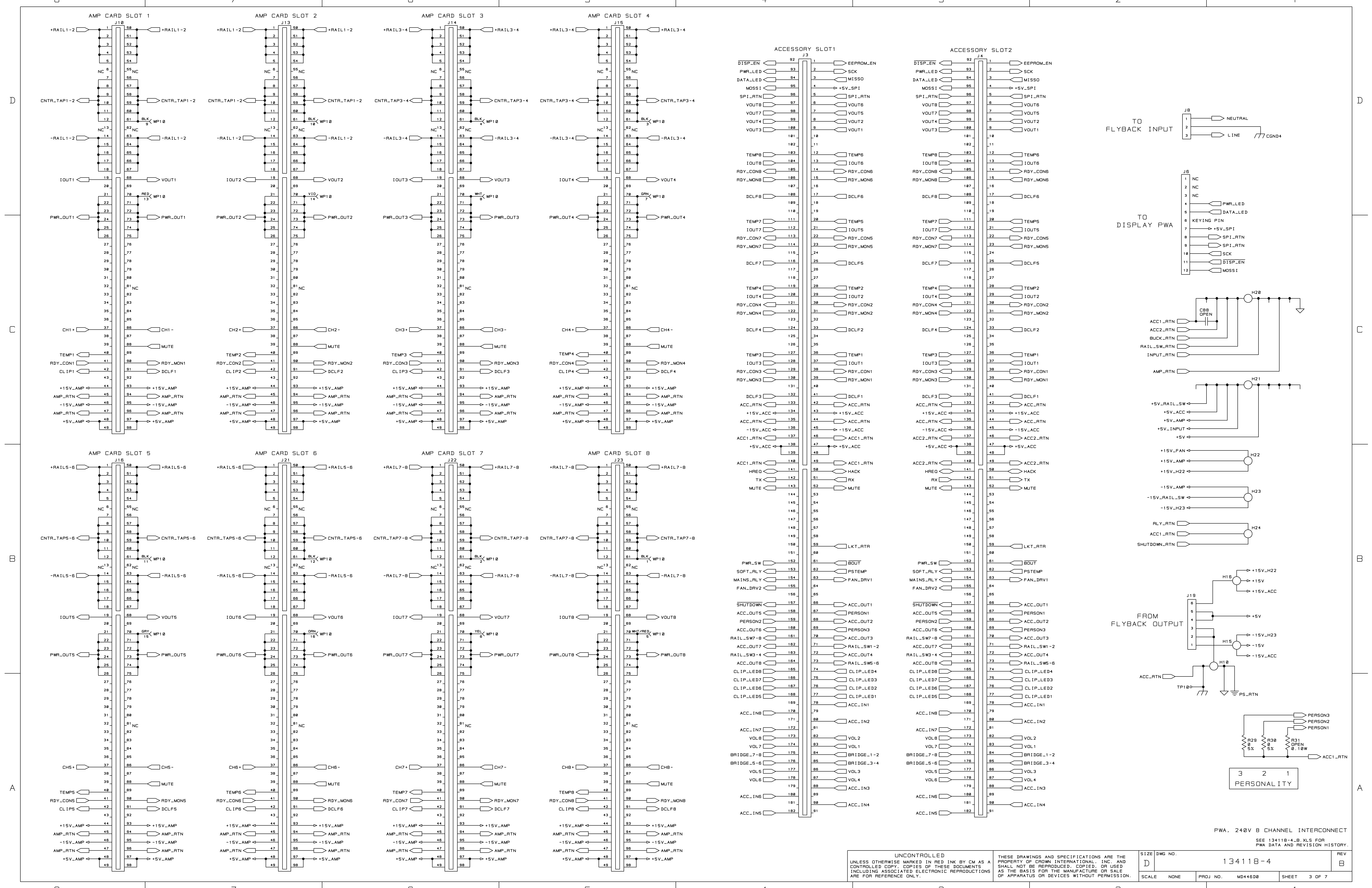
UNCONTROLLED
UNLESS OTHERWISE MARKED IN RED INK BY CM AS A
CONTROLLED COPY. COPIES OF THESE DOCUMENTS
INCLUDING ASSOCIATED ELECTRONIC REPRODUCTIONS
ARE FOR REFERENCE ONLY.
THESE DRAWINGS AND SPECIFICATIONS ARE THE
PROPERTY OF CROWN INTERNATIONAL, INC. AND
SHALL NOT BE REPRODUCED, COPIED, OR USED
AS THE BASIS FOR THE MANUFACTURE OR SALE
OF APPARATUS OR DEVICES WITHOUT PERMISSION.

DWN	TJM	04-14-03		1718 W. MISHAWAKA RD. ELKHART, IN. 46517 PHONE 574-294-5000 WWW.CROWNINTL.COM
CM	DSV	04-15-03		
PE	TJS	04-14-03		
DISTRIBUTION			TITLE	
K			PWA, 240V 8 CHANNEL INTERCONNECT	
FILENAME			134118-4_B.TIF	
TOLERANCE UNLESS OTHERWISE SPECIFIED			SIZE DWG. NO.	
.00 = ±.02" .000 = ±.010" DRILLS = ±.003"			D 134118-4	
DO NOT SCALE DRAWING			REV B	
SCALE	FULL	PROJ. NO.	MD446D0	SHEET 1 OF 7

COMPONENT MAP
BOTTOM SIDE



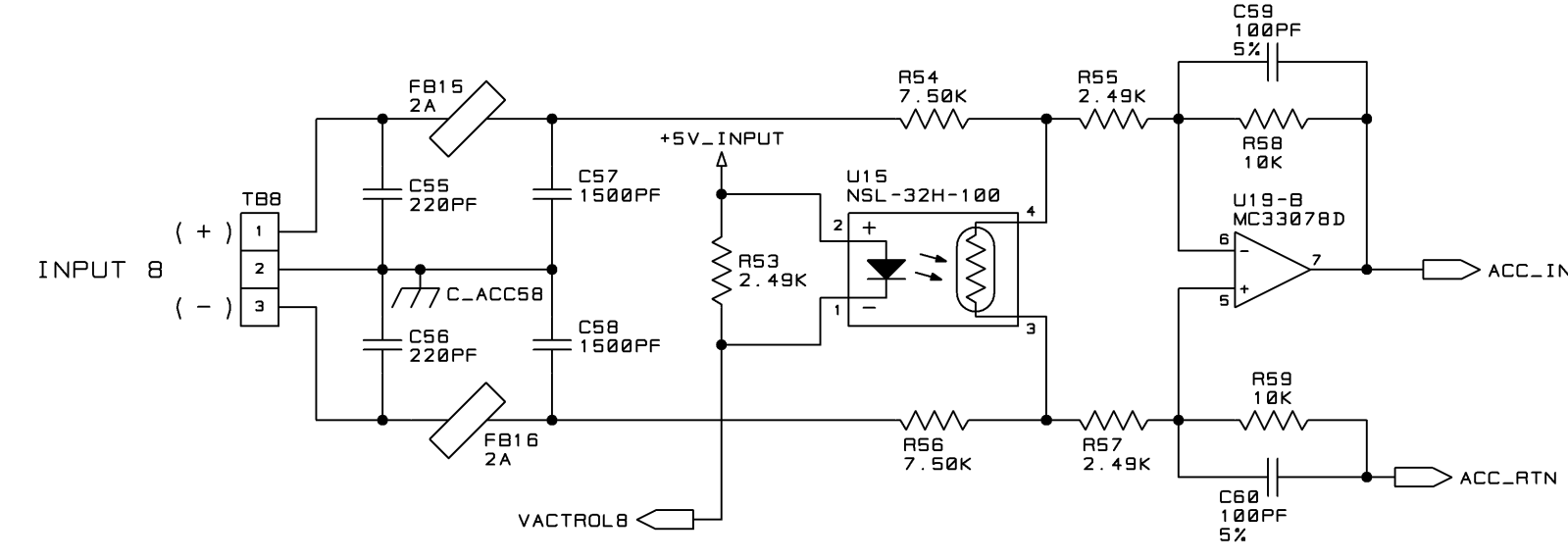
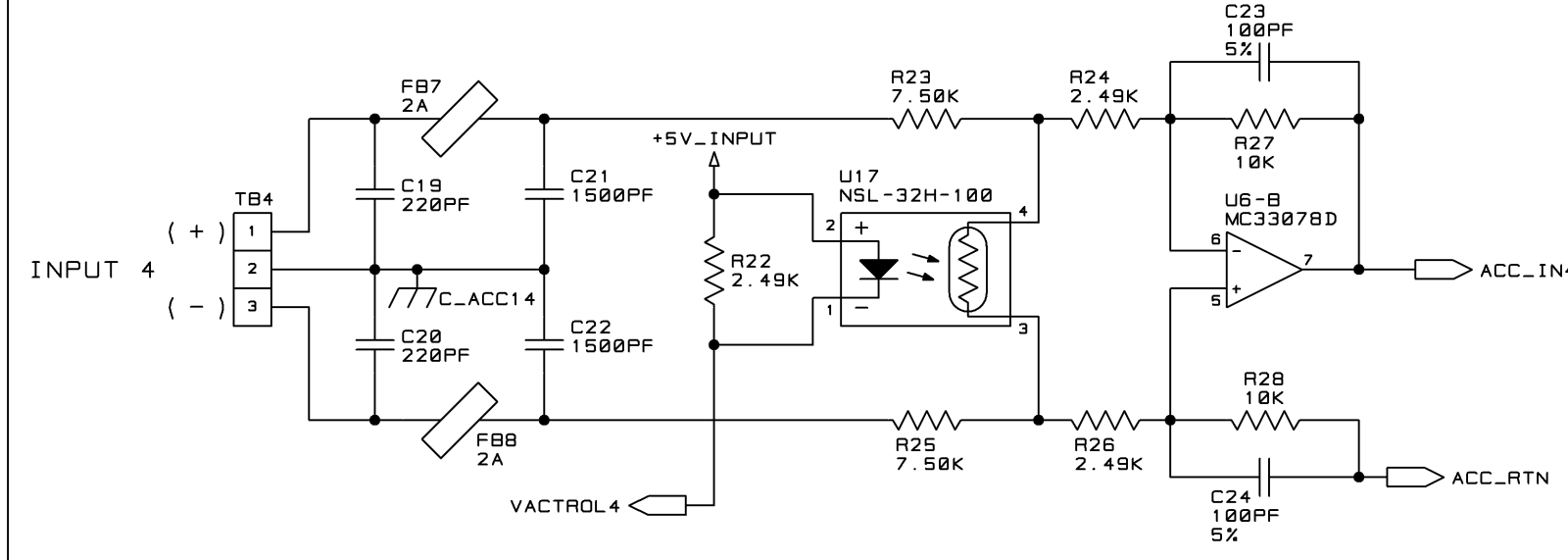
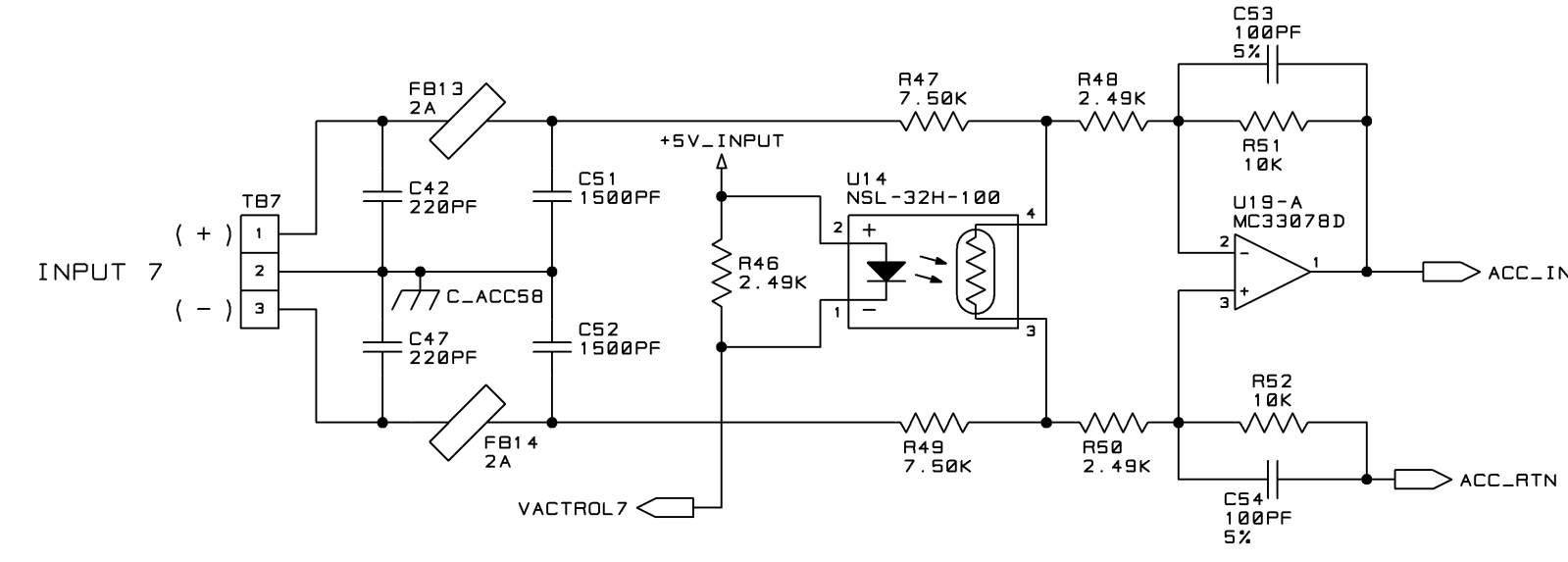
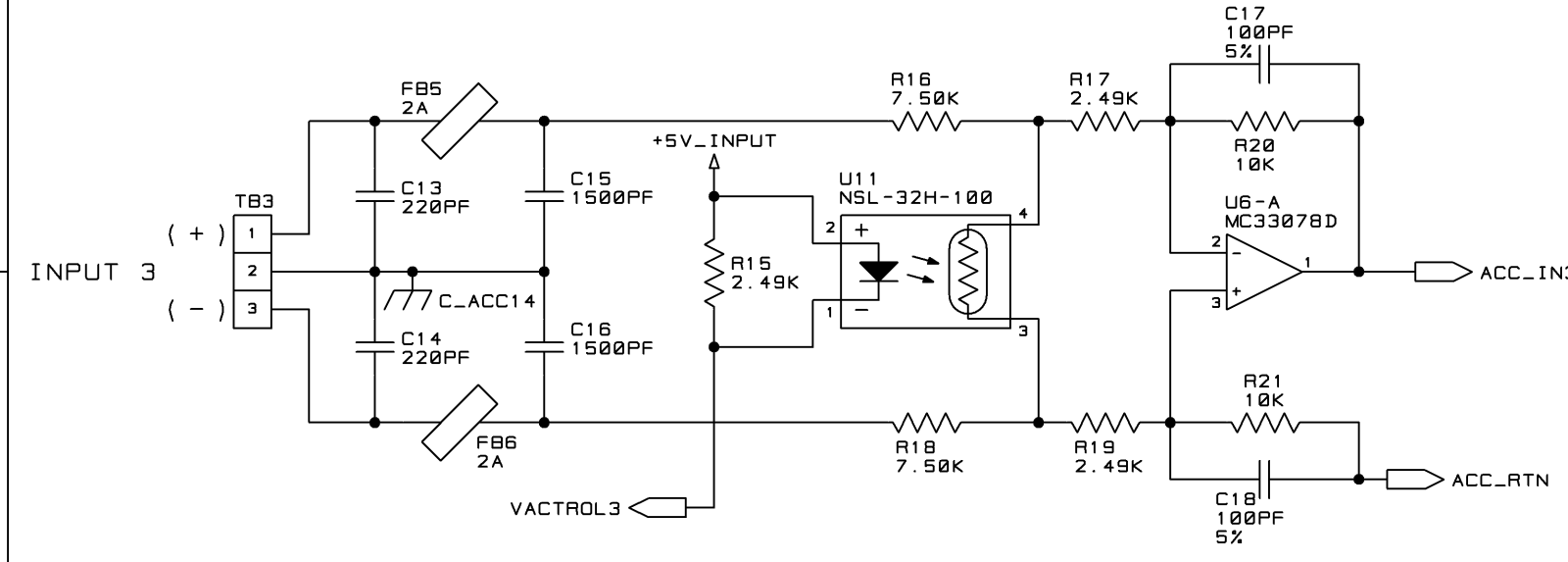
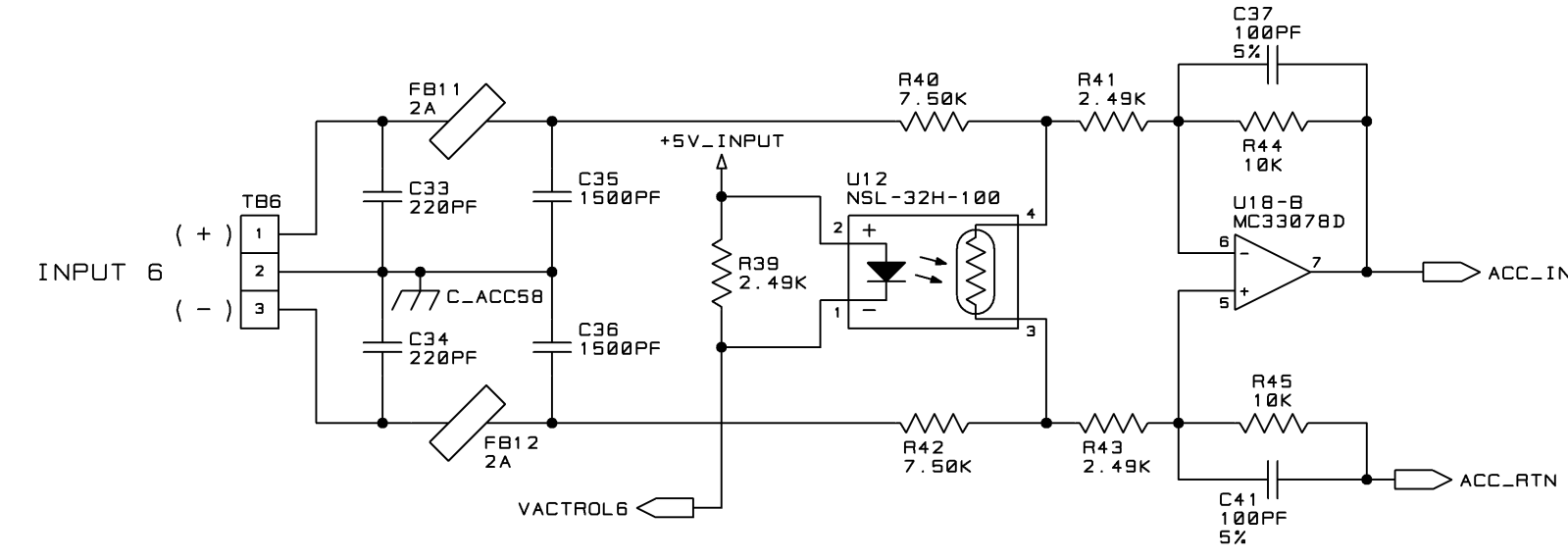
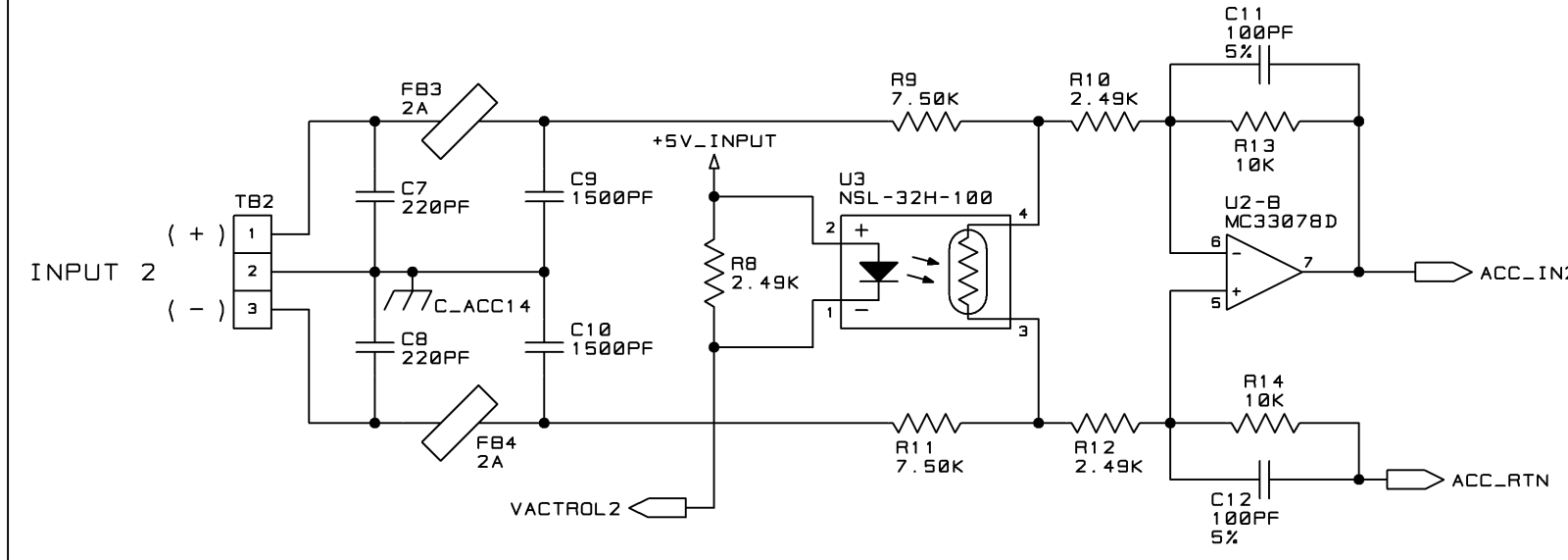
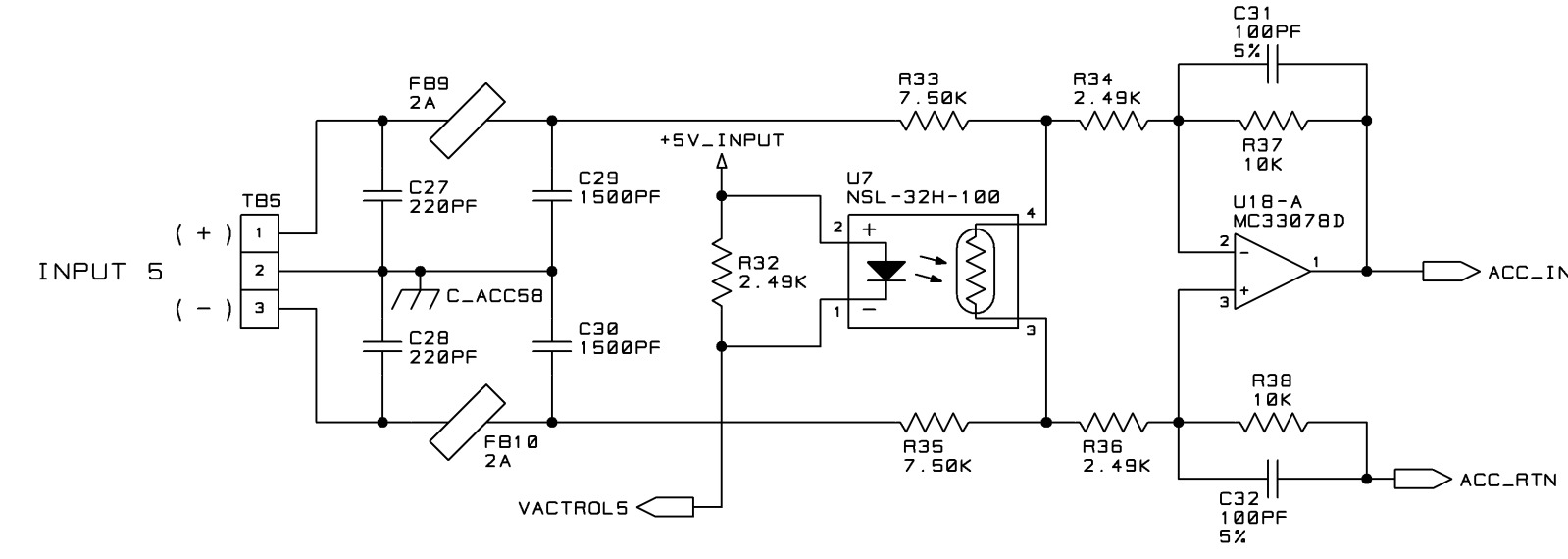
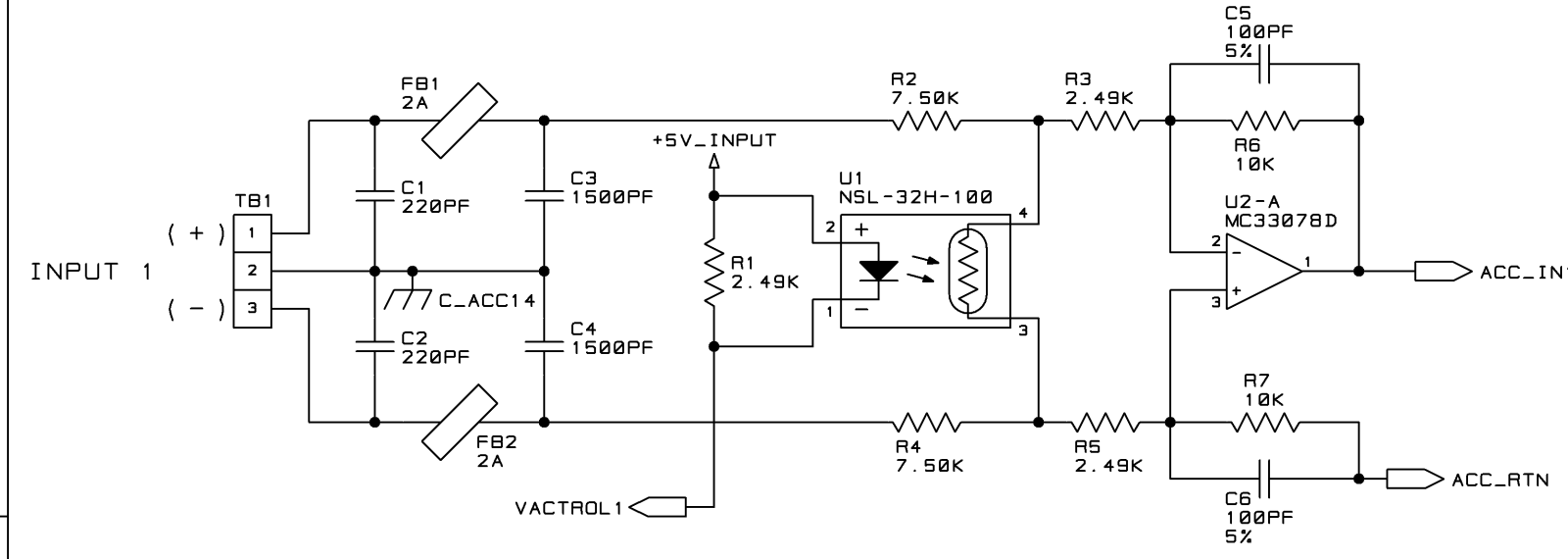
UNCONTROLLED		THESE DRAWINGS AND SPECIFICATIONS ARE THE PROPERTY OF CROWN INTERNATIONAL, INC. AND SHALL NOT BE REPRODUCED, COPIED, OR USED AS THE BASIS FOR THE MANUFACTURE OR SALE OF APPARATUS OR DEVICES WITHOUT PERMISSION.		SIZE D	DWG NO. 134118-4	REV B
UNLESS OTHERWISE MARKED IN RED INK BY CM AS A CONTROLLED COPY, COPIES OF THESE DOCUMENTS INCLUDING ASSOCIATED ELECTRONIC REPRODUCTIONS ARE FOR REFERENCE ONLY.		SCALE FULL	PROJ NO. MD446D0	SHEET 2 OF 7		



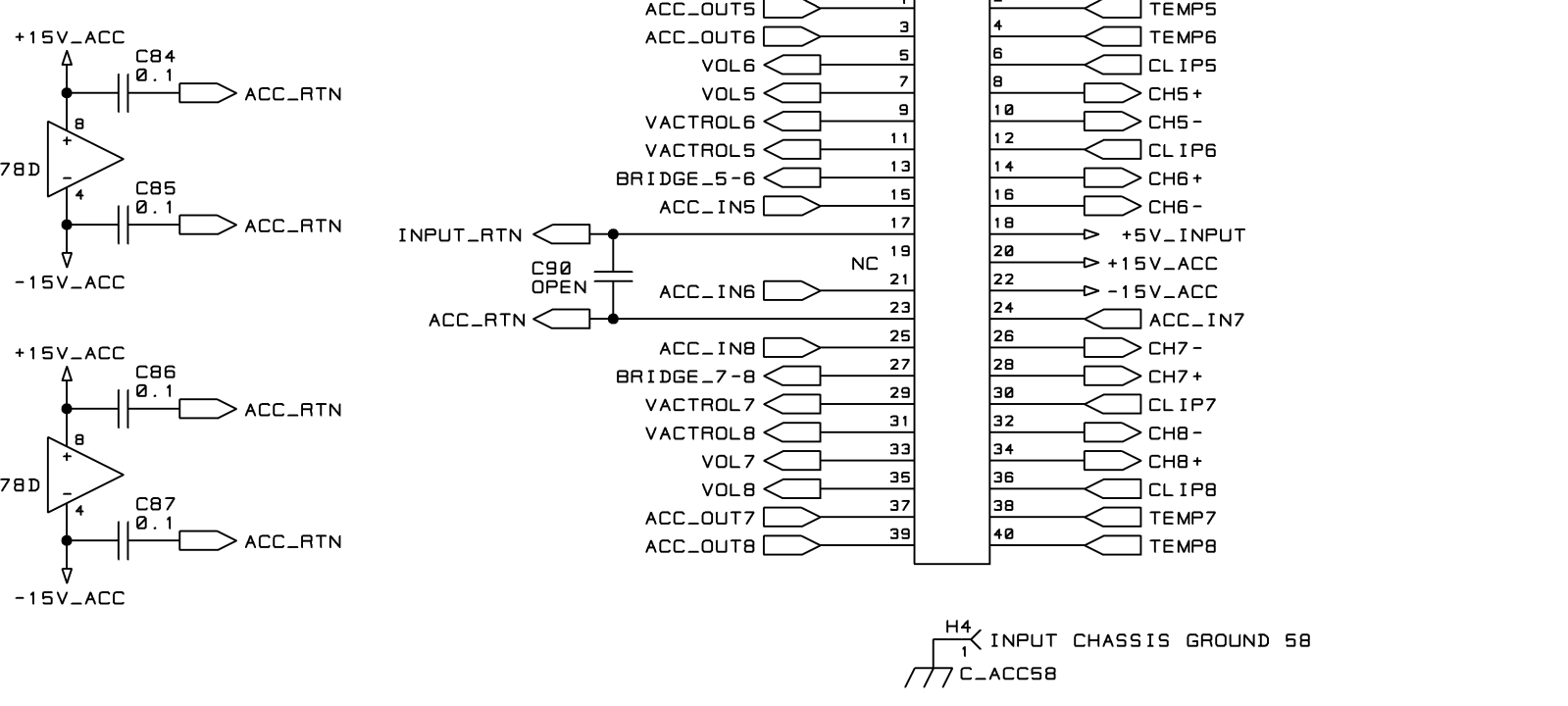
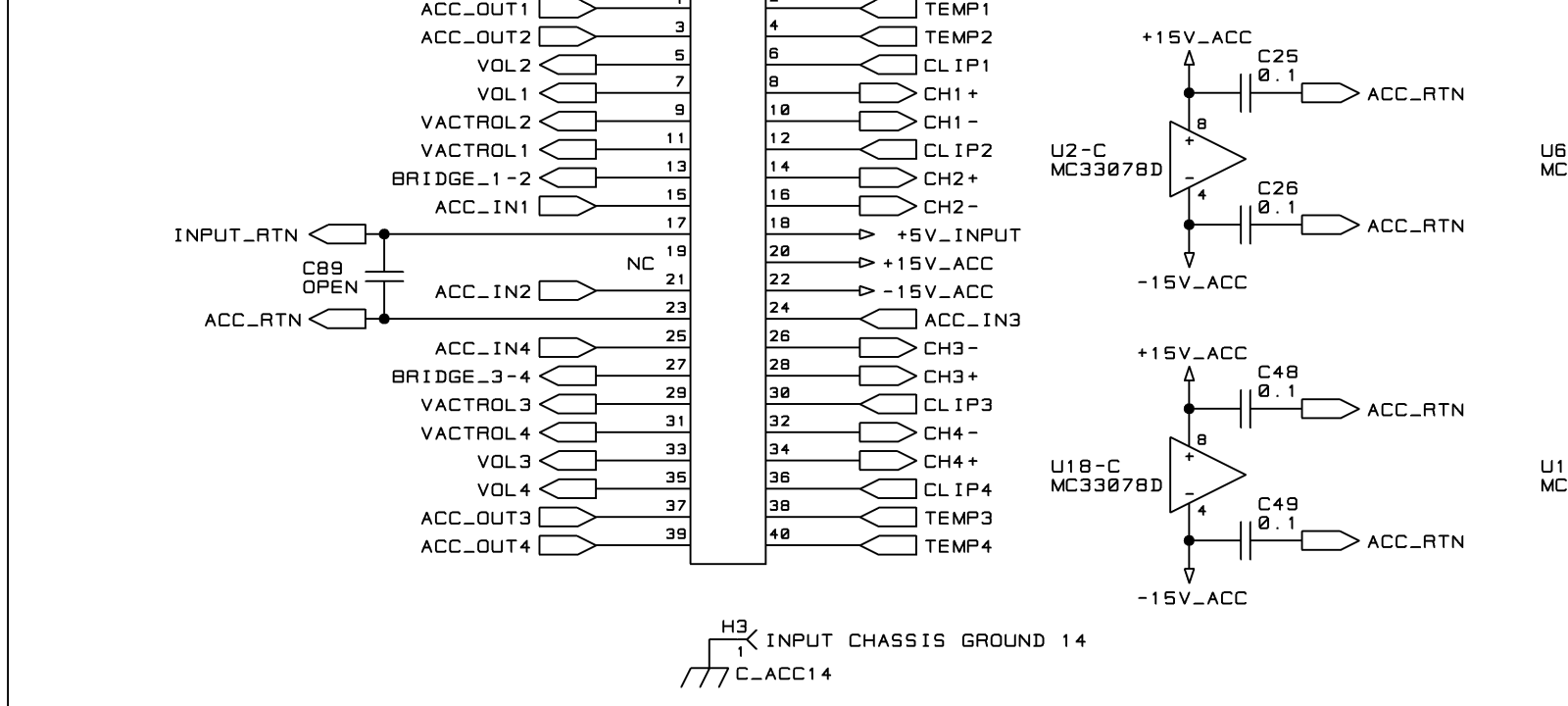
INPUT SECTION

CHANNELS 1-4

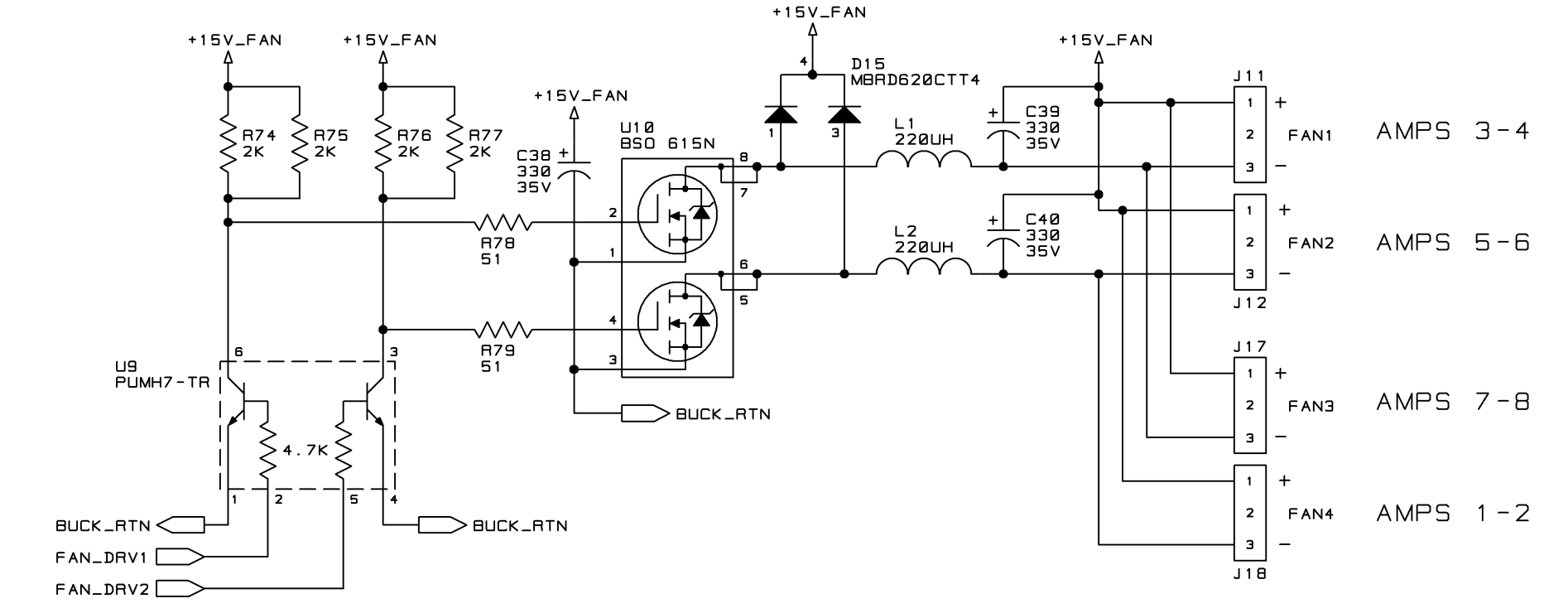
CHANNELS 5-8



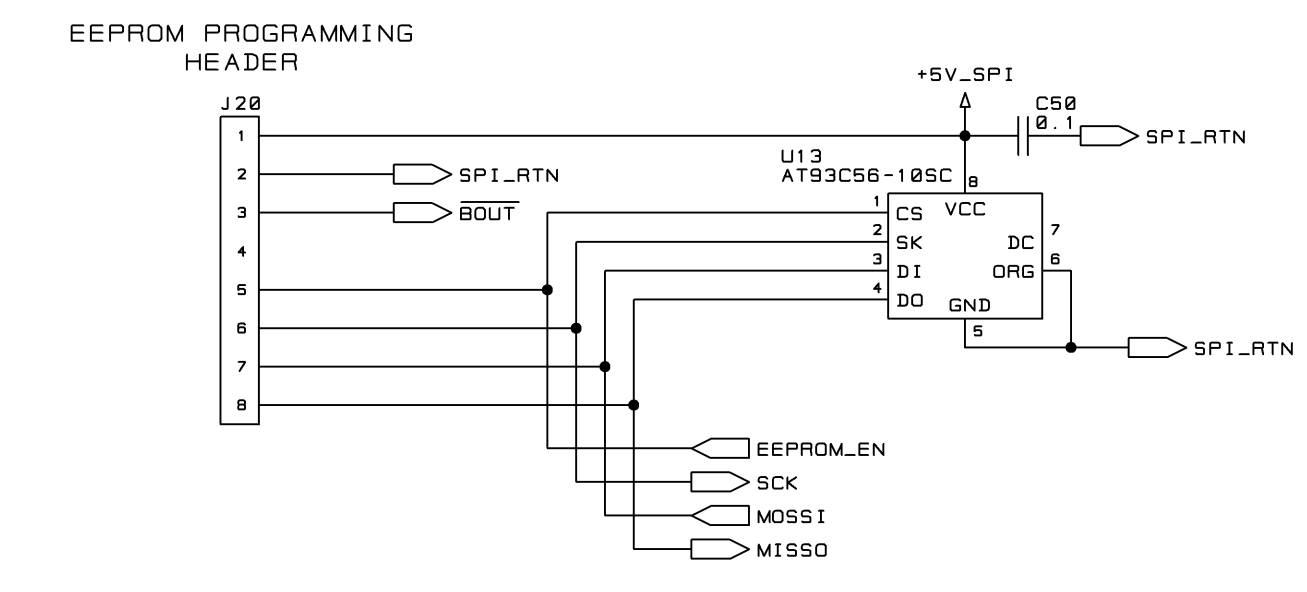
BYPASS CAPACITORS



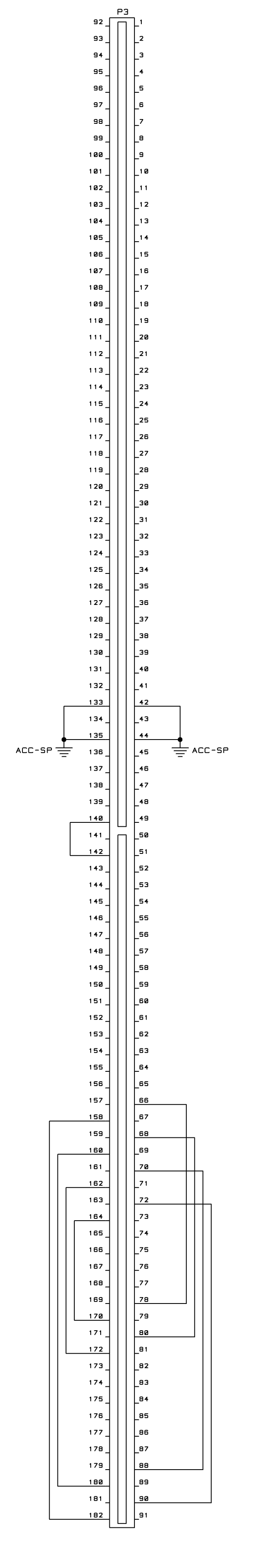
FAN DRIVE CONTROL



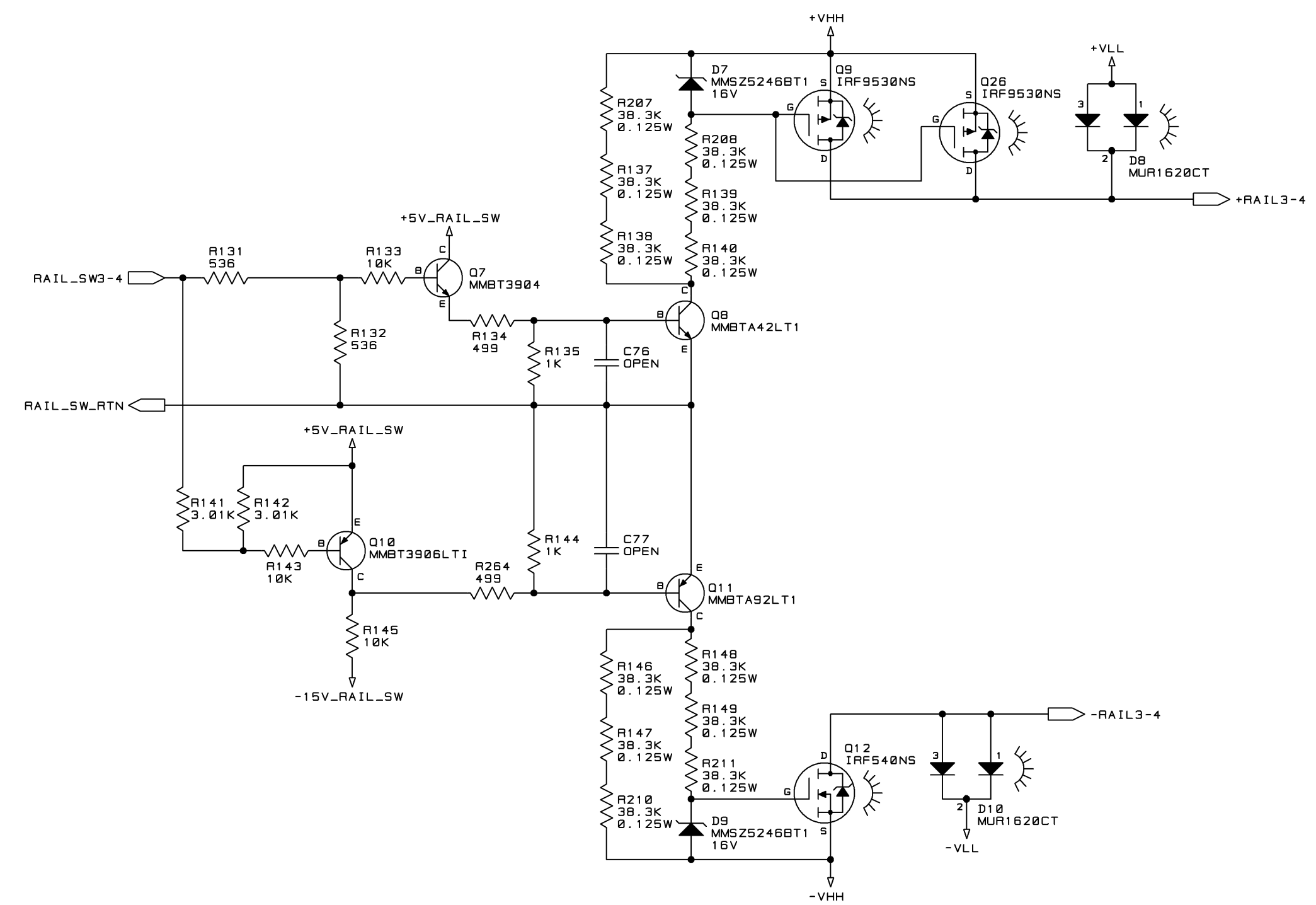
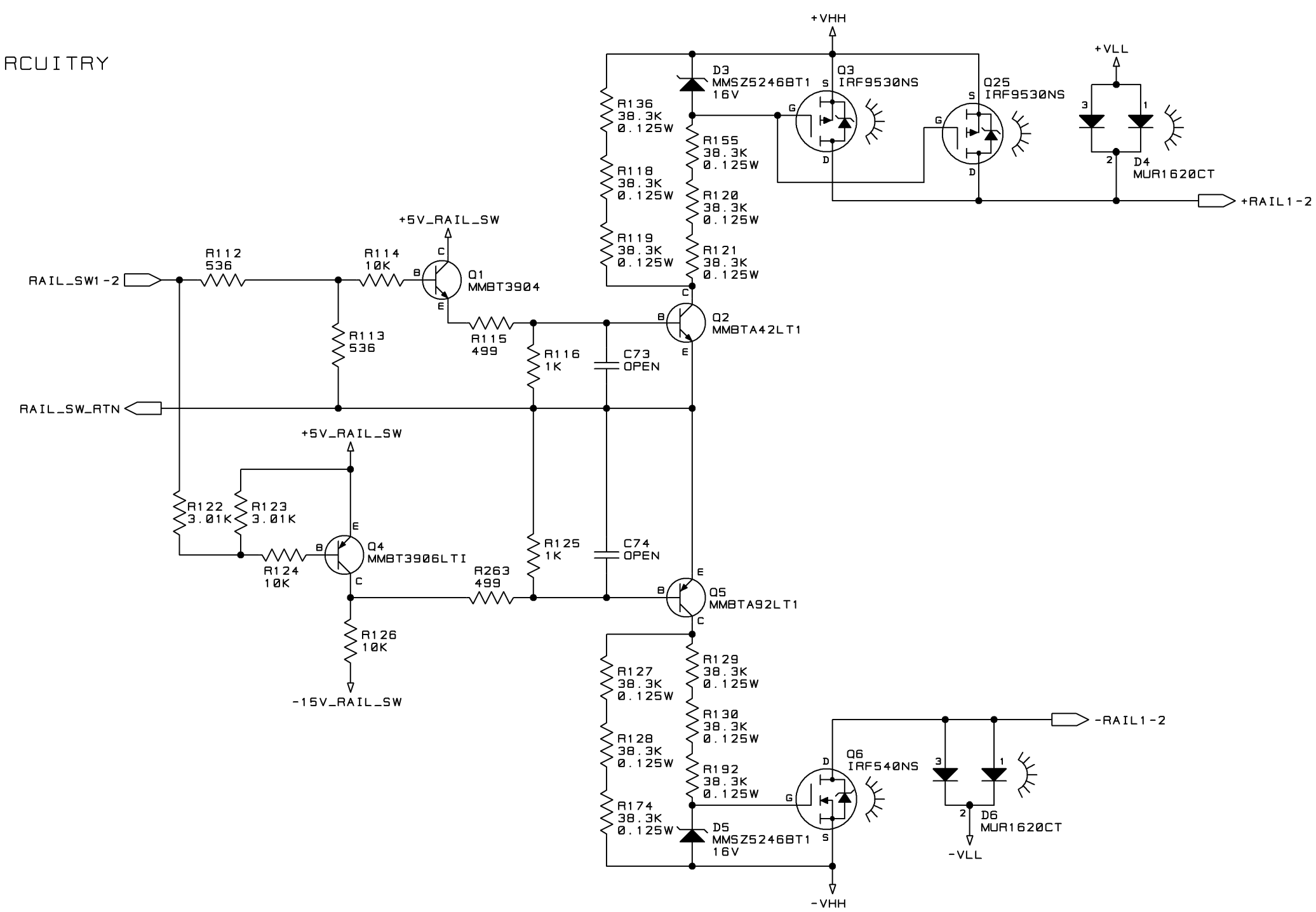
SERIAL NUMBER EEPROM



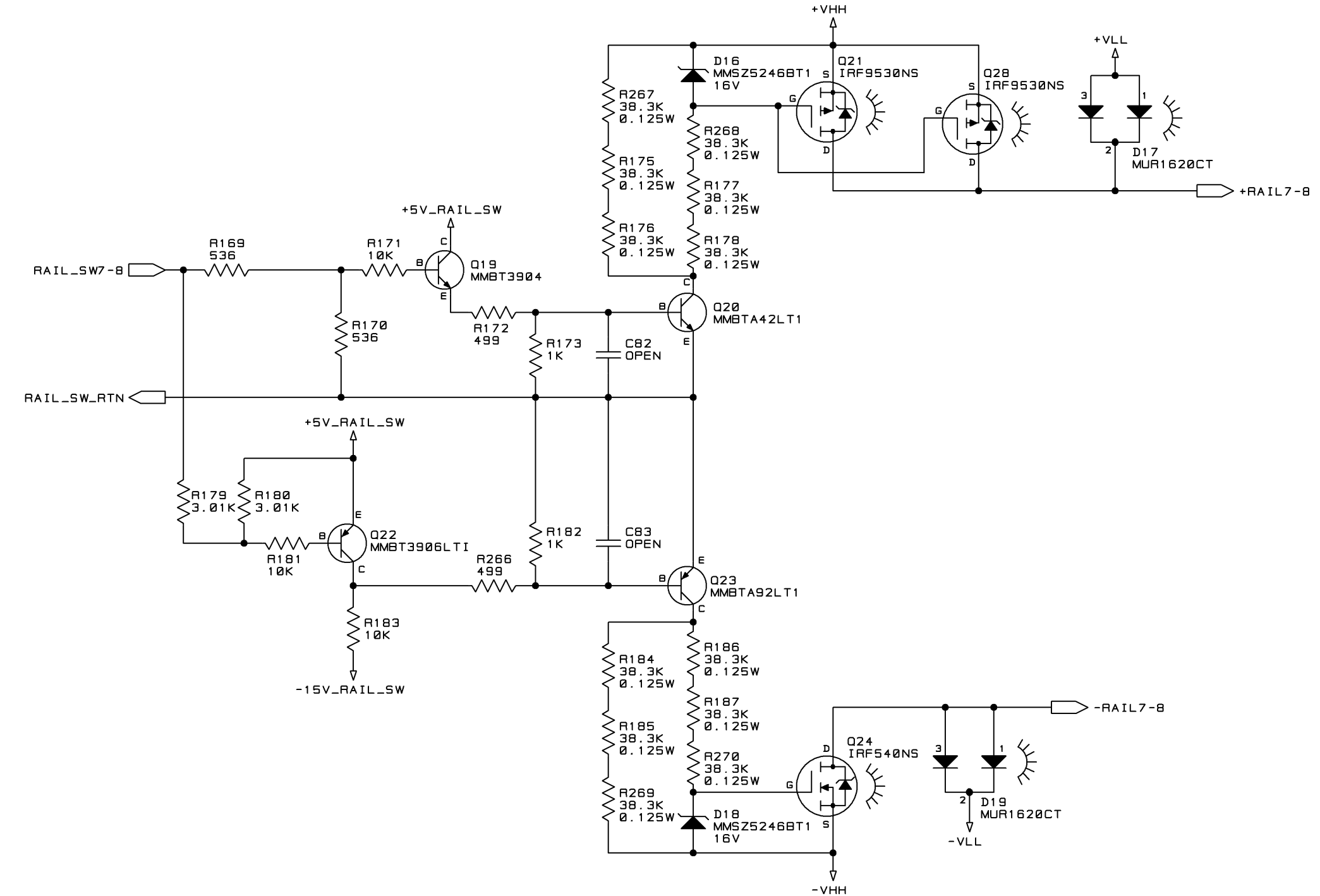
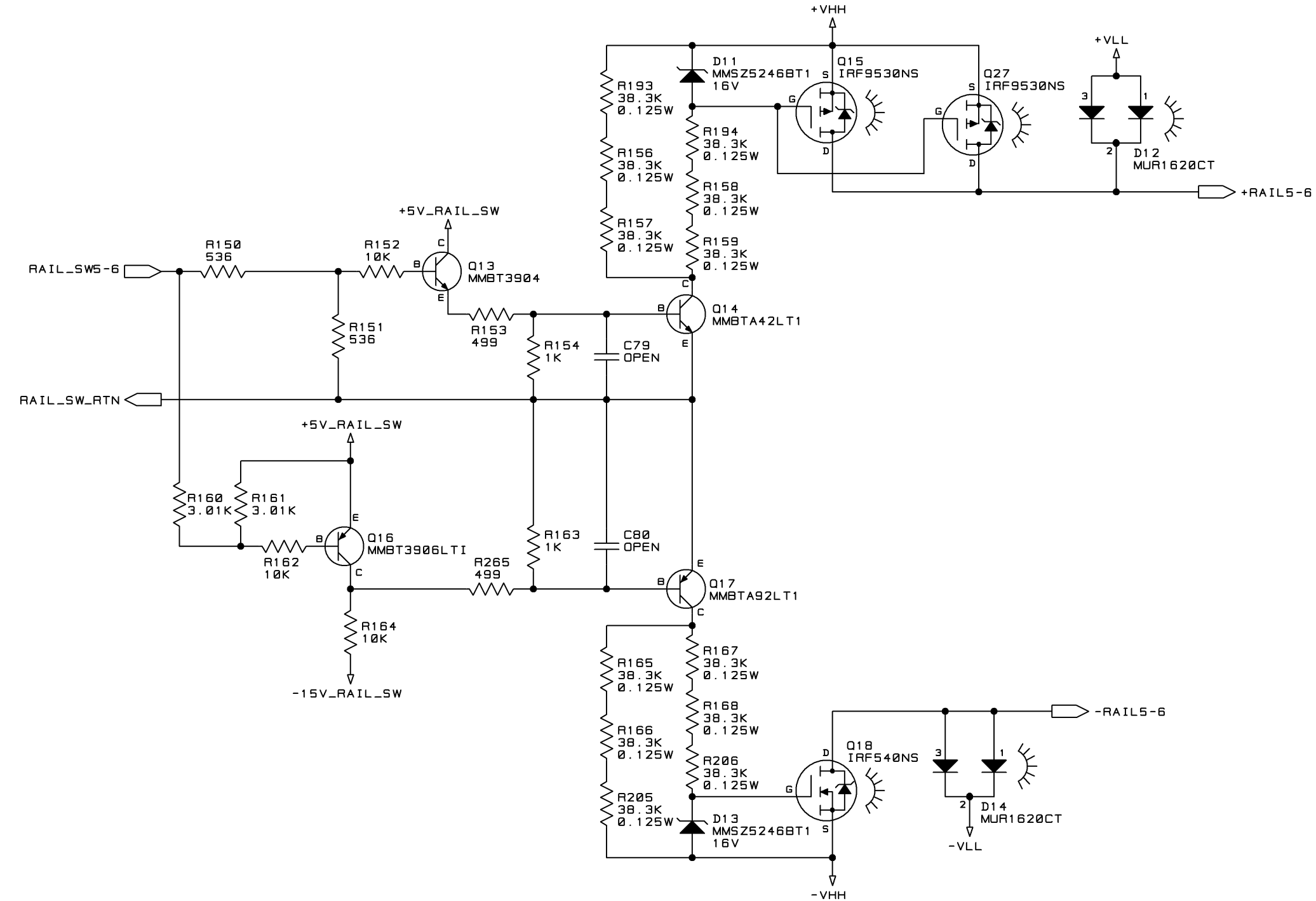
MC SERIES SHORTING PLUG PWB



RAIL CIRCUITRY

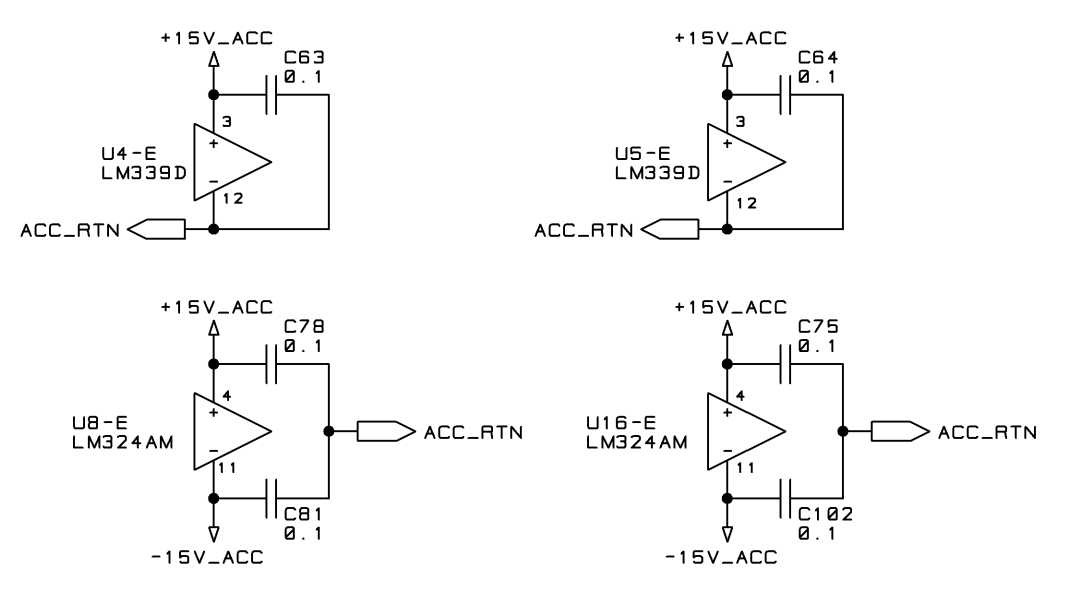
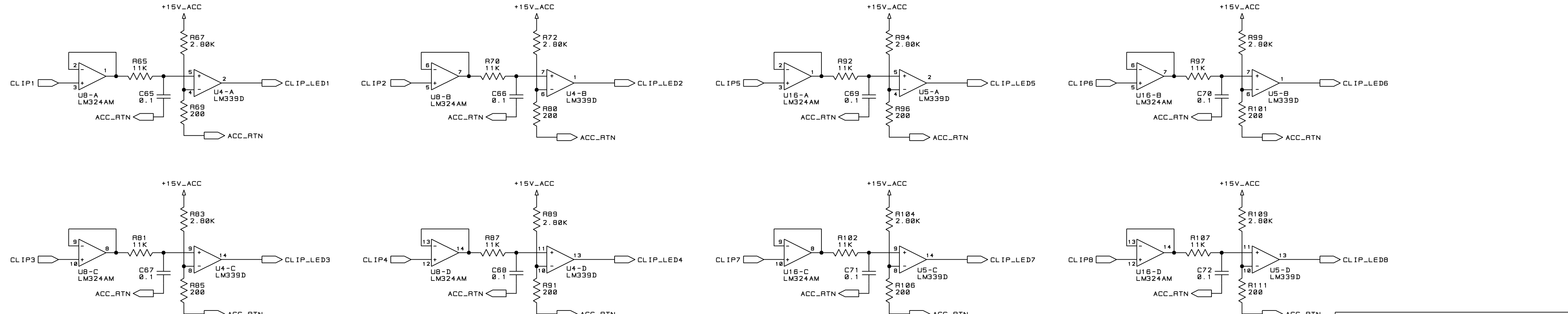


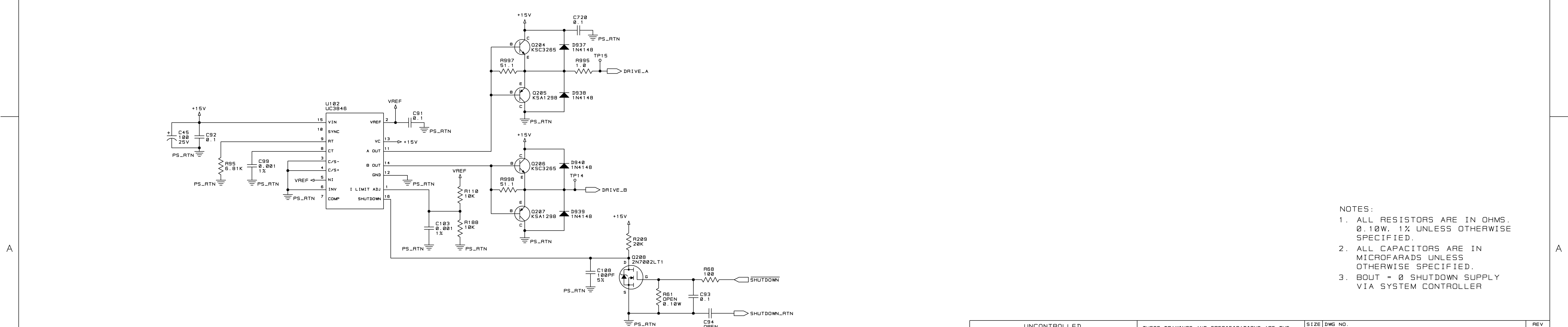
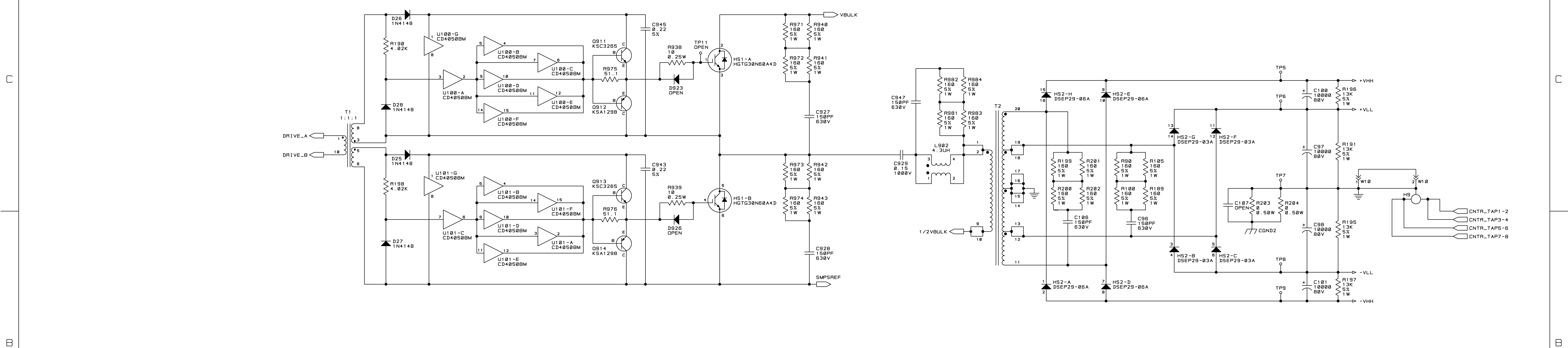
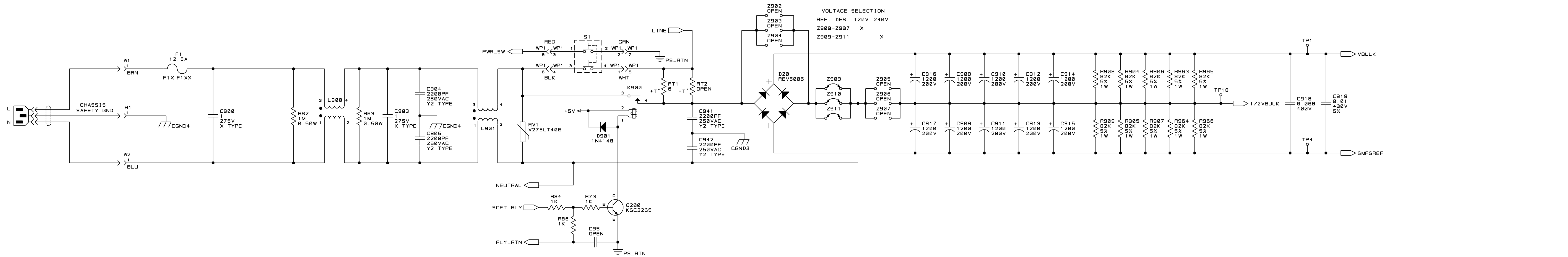
RAIL_SW	RAILS
8V	LOW Z
5V	HIGH Z



CLIP CIRCUITRY

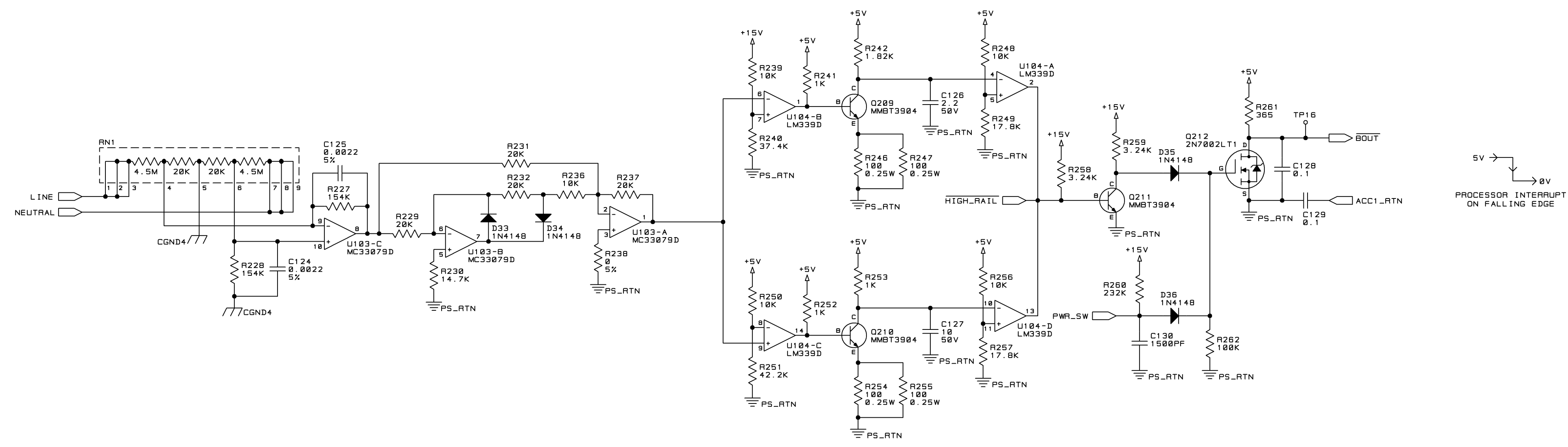
BYPASS CAPACITORS



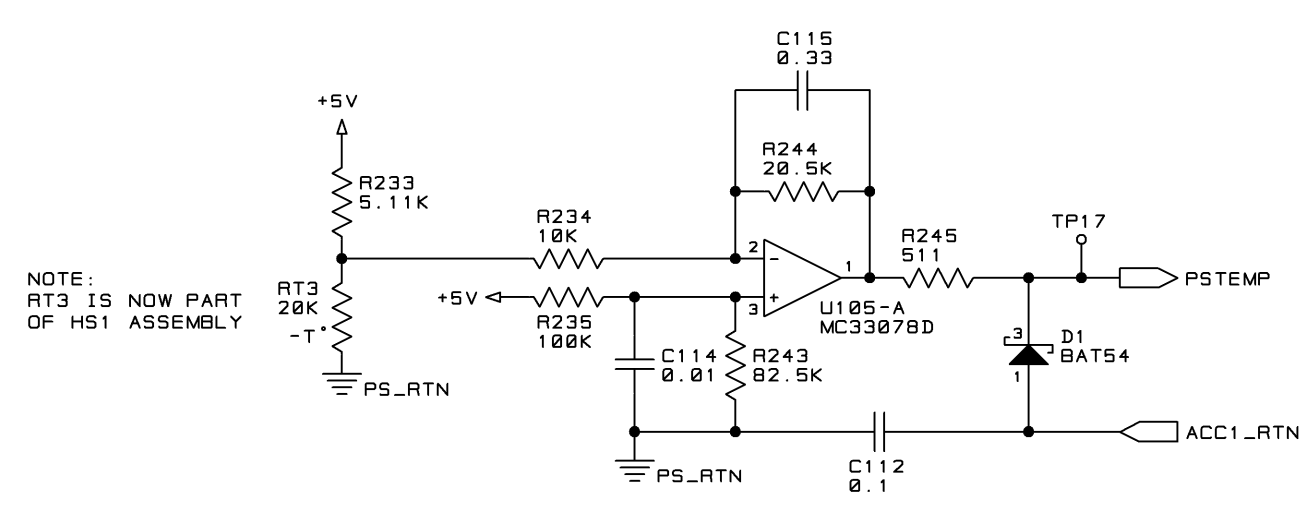


- NOTES:
1. ALL RESISTORS ARE IN OHMS. 0.10W, 1% UNLESS OTHERWISE SPECIFIED.
 2. ALL CAPACITORS ARE IN MICROFARADS UNLESS OTHERWISE SPECIFIED.
 3. BOUT = 0 SHUTDOWN SUPPLY VIA SYSTEM CONTROLLER

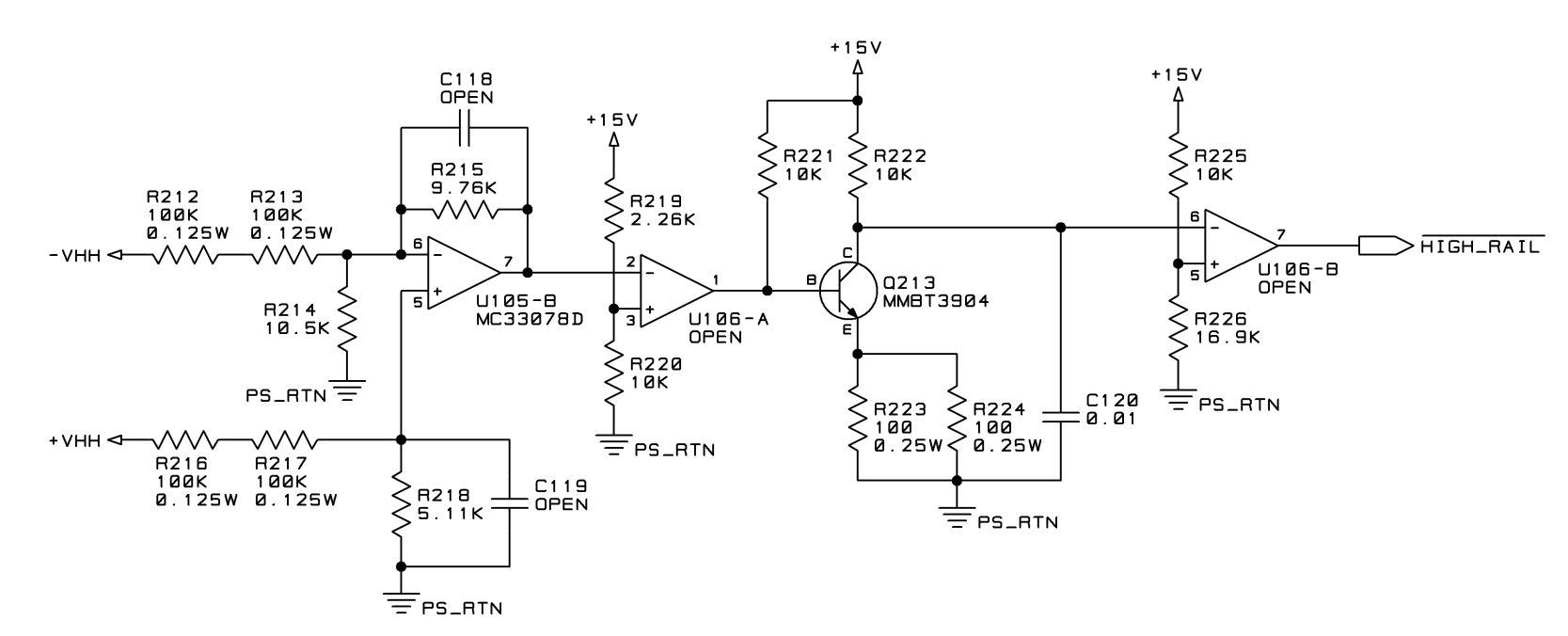
HIGH/LOW LINE DETECT



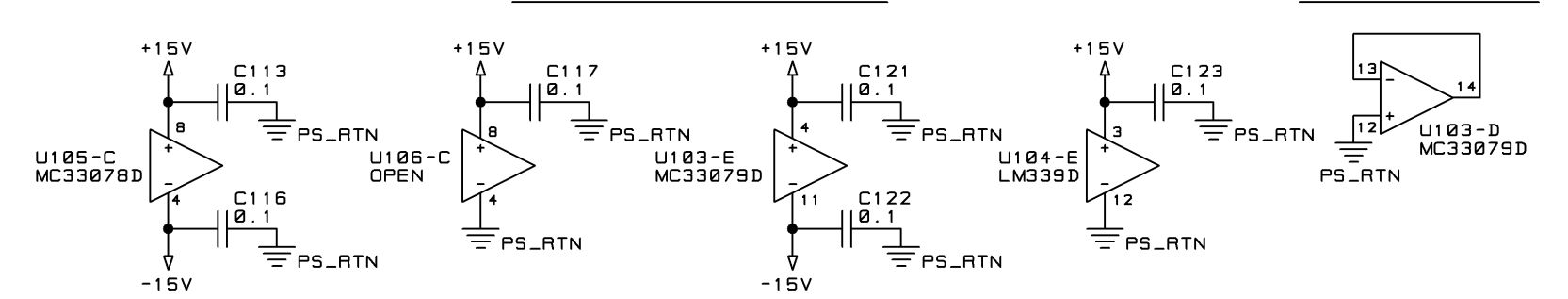
IGBT HEAT SINK TEMPERATURE SENSE



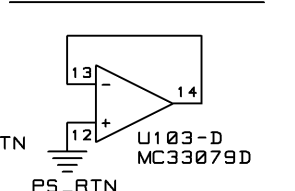
HIGH RAIL DETECT



BYPASS CAPACITORS



UNUSED GATE



UNCONTROLLED		UNLESS OTHERWISE MARKED IN RED INK BY CM AS A CONTROLLED COPY, COPIES OF THESE DOCUMENTS INCLUDING ASSOCIATED ELECTRONIC REPRODUCTIONS ARE FOR REFERENCE ONLY.		THESE DRAWINGS AND SPECIFICATIONS ARE THE PROPERTY OF CROWN INTERNATIONAL, INC. AND SHALL NOT BE REPRODUCED, COPIED, OR USED AS THE BASIS FOR THE MANUFACTURE OR SALE OF APPARATUS OR DEVICES WITHOUT PERMISSION.		SIZE	DWG NO.	REV
D			134118-4	B		SCALE	NONE	PROJ NO.
			MD446D0			SHEET	7 OF 7	