

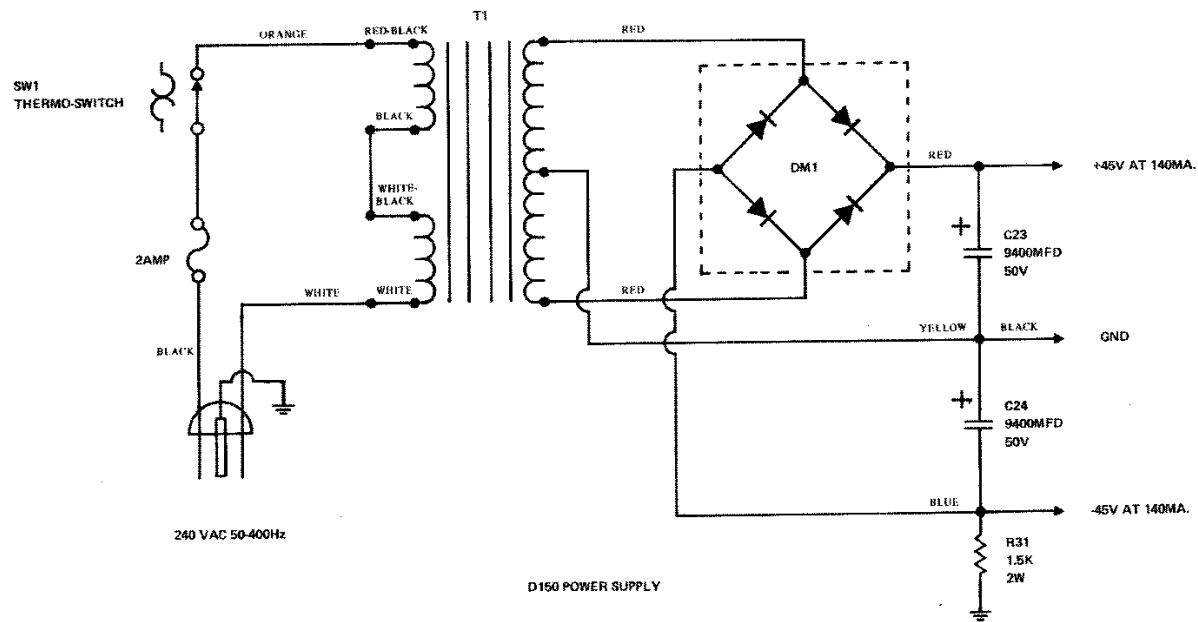
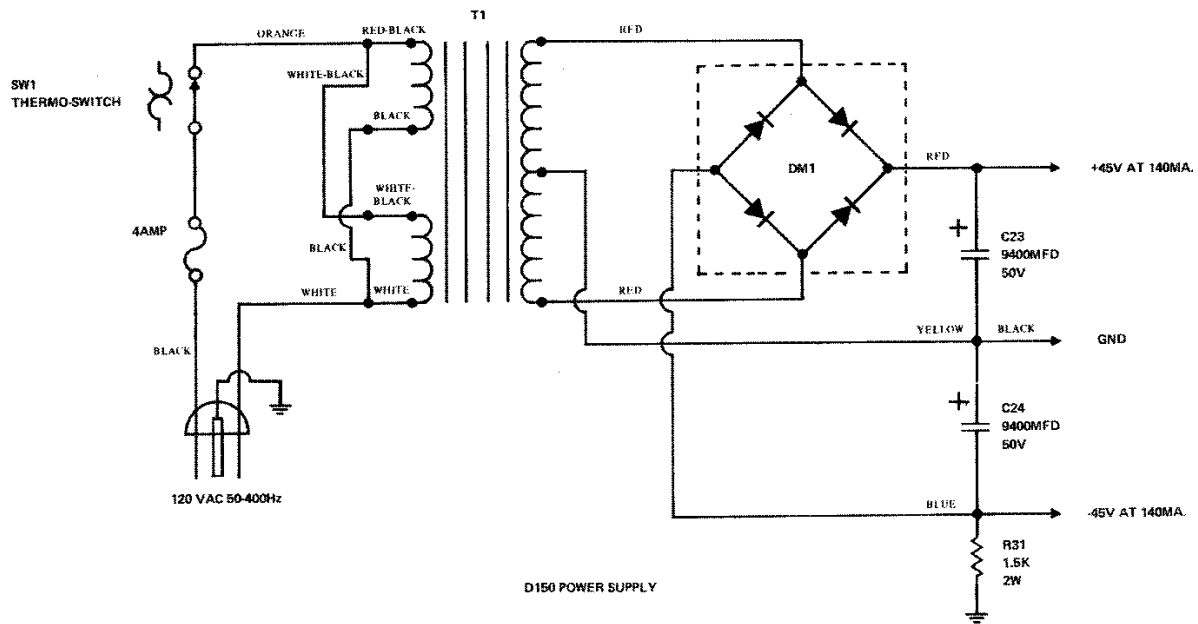
1. The values are shown for reference only. The actual values may vary slightly due to component tolerances.
2. The heavy continuous line follows the heavy feedback trace shown below.
3. Wire color codes are given for the main supply and for the classed-out source.

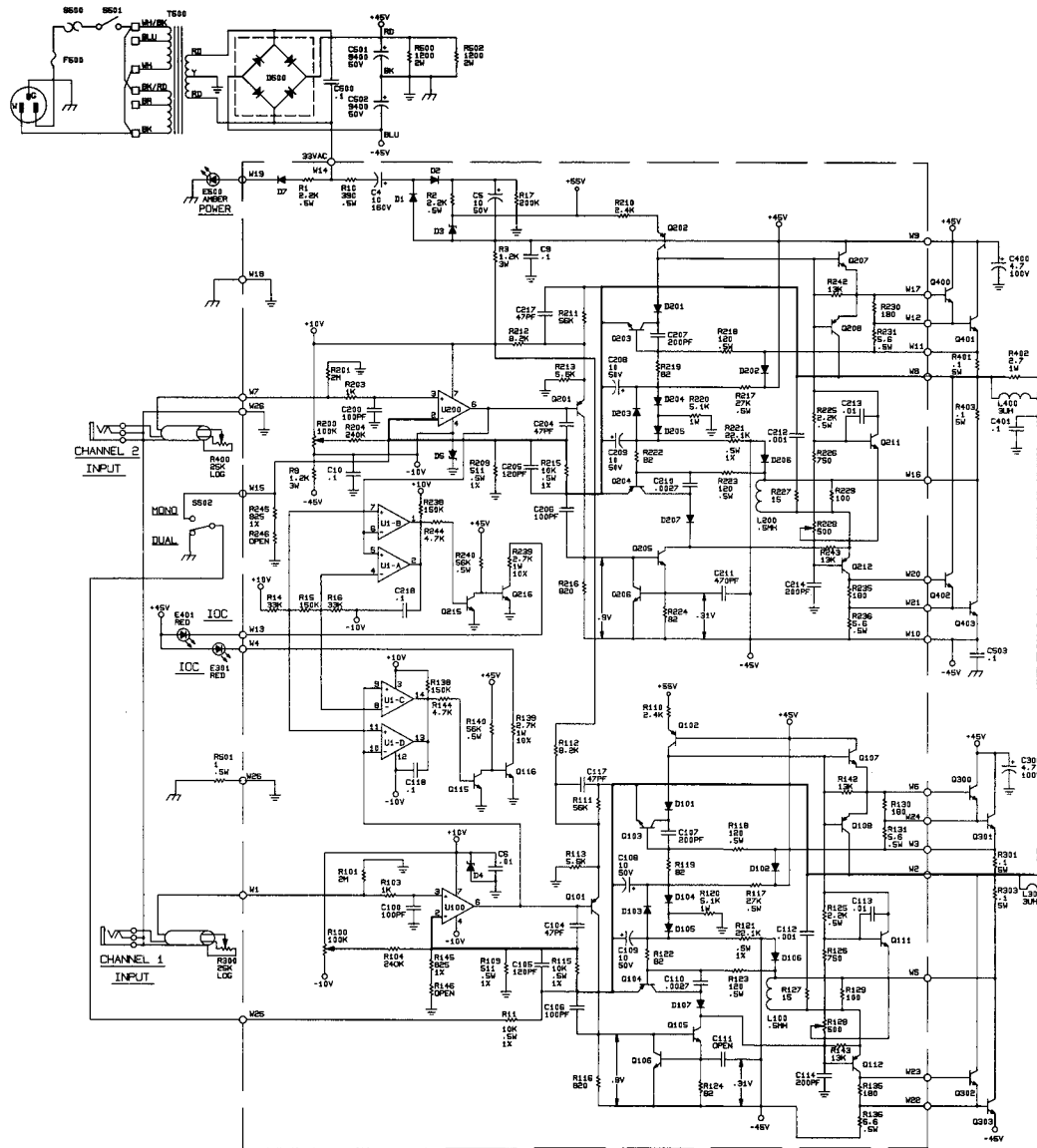
Crown D150

AUDIO POWER AMPLIFIER

NOTES:
 ALL RESISTANCES ARE IN OHMS UNLESS OTHERWISE SPECIFIED.
 SECOND CHANNEL ON SAME BOARD IDENTICAL TO FIRST.
 LIST RES. C24, D10, L2, Q13.

MH-244A





REV	DESCRIPTION
1	INITIAL DESIGN
2	REVISED AND REDESIGNED
3	CHANGED TO 4 PIN TO 1.5K. SW
4	
5	
6	
7	
8	
9	
10	
11	
12	
13	
14	
15	
16	
17	
18	
19	
20	
21	
22	
23	
24	
25	
26	
27	
28	
29	
30	
31	
32	
33	
34	
35	
36	
37	
38	
39	
40	
41	
42	
43	
44	
45	
46	
47	
48	
49	
50	
51	
52	
53	
54	
55	
56	
57	
58	
59	
60	
61	
62	
63	
64	
65	
66	
67	
68	
69	
70	
71	
72	
73	
74	
75	
76	
77	
78	
79	
80	
81	
82	
83	
84	
85	
86	
87	
88	
89	
90	
91	
92	
93	
94	
95	
96	
97	
98	
99	
100	

NOTES:

- Q102 AND Q302 ARE HEATSINK TOGETHER WITH A DUAL TUBE COOLER.
- Q111 AND Q112 ARE HEATSINK TO THE BOARD MOUNTING BRACKET.
- THIS SCHEMATIC APPLIES TO UNITS WITH SERIAL NUMBERS 99423 AND FOLLOWING.
- ALL RESISTORS ARE .25W EX WITH VALUES IN OHMS UNLESS OTHERWISE SPECIFIED.
- ALL CAPACITOR VALUES IN MICROFARADS UNLESS OTHERWISE SPECIFIED.
- CHANNEL 1 MAIN BOARD COMPONENTS NUMBERED 100-199.
- CHANNEL 2 MAIN BOARD COMPONENTS NUMBERED 200-299.
- CHANNEL 1 OFF BOARD COMPONENTS NUMBERED 300-399.
- CHANNEL 2 OFF BOARD COMPONENTS NUMBERED 400-499.
- COMMON MAIN BOARD COMPONENTS NUMBERED 1-99.
- COMMON OFF BOARD COMPONENTS NUMBERED 500-599.
- DC VOLTAGES SHOWN APPLY TO NORMAL QUIESCENT OPERATING CONDITIONS.
- MAJOR FEEDBACK PATH DEPICTED BY A HEAVY LINE.

INACTIVE
For Reference Use Only

CROWN		1718 M. MISHANAKA RD. PHONE	
SC, D150A2		ELKHART, INDIANA 46514 (819) 294-8000	
DRAWN	JH	3-9-80	SCALE NONE
CHECKED	JF	3-24-80	PROJ. E11
APPROVED	JG	3-22-80	SUPERSEDES
NEXT ASSEMBLY			C.P.N.
			J0123-0