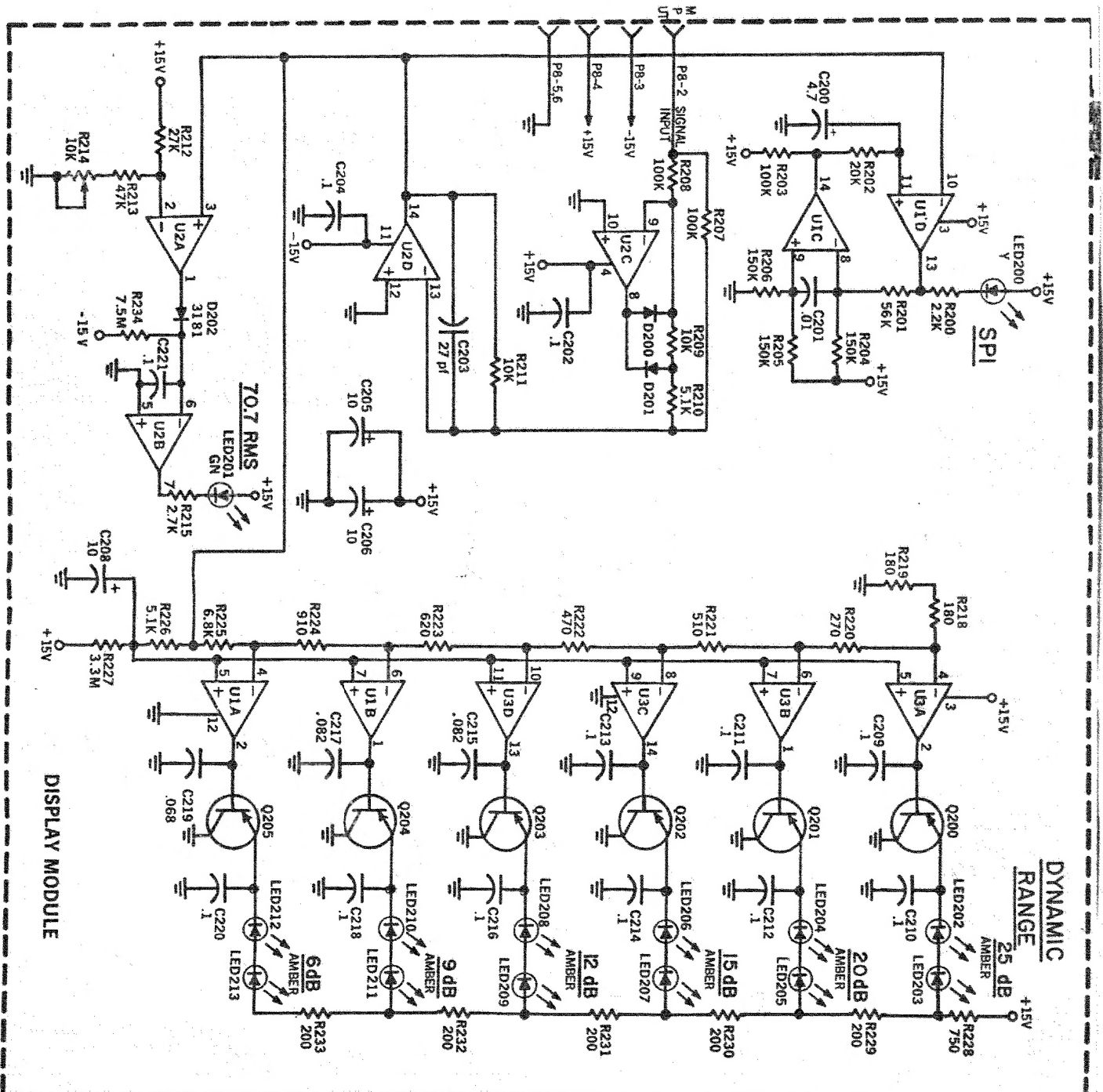


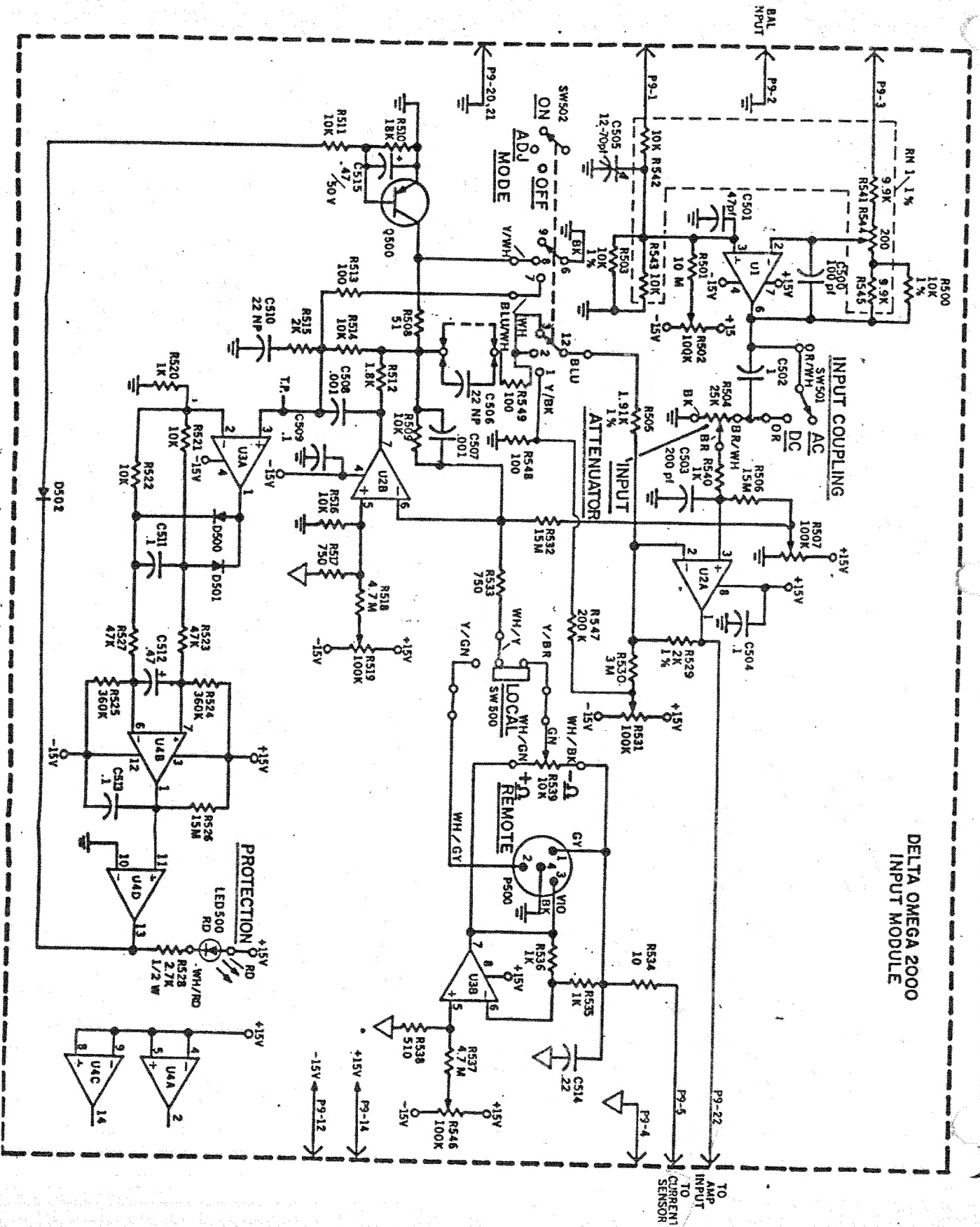
SCHEM 7560 PWR SUP MOD.
 DRAWN BY: J. FLANAGAN
 DATE: 10/53-9
 SHEET: 1/1

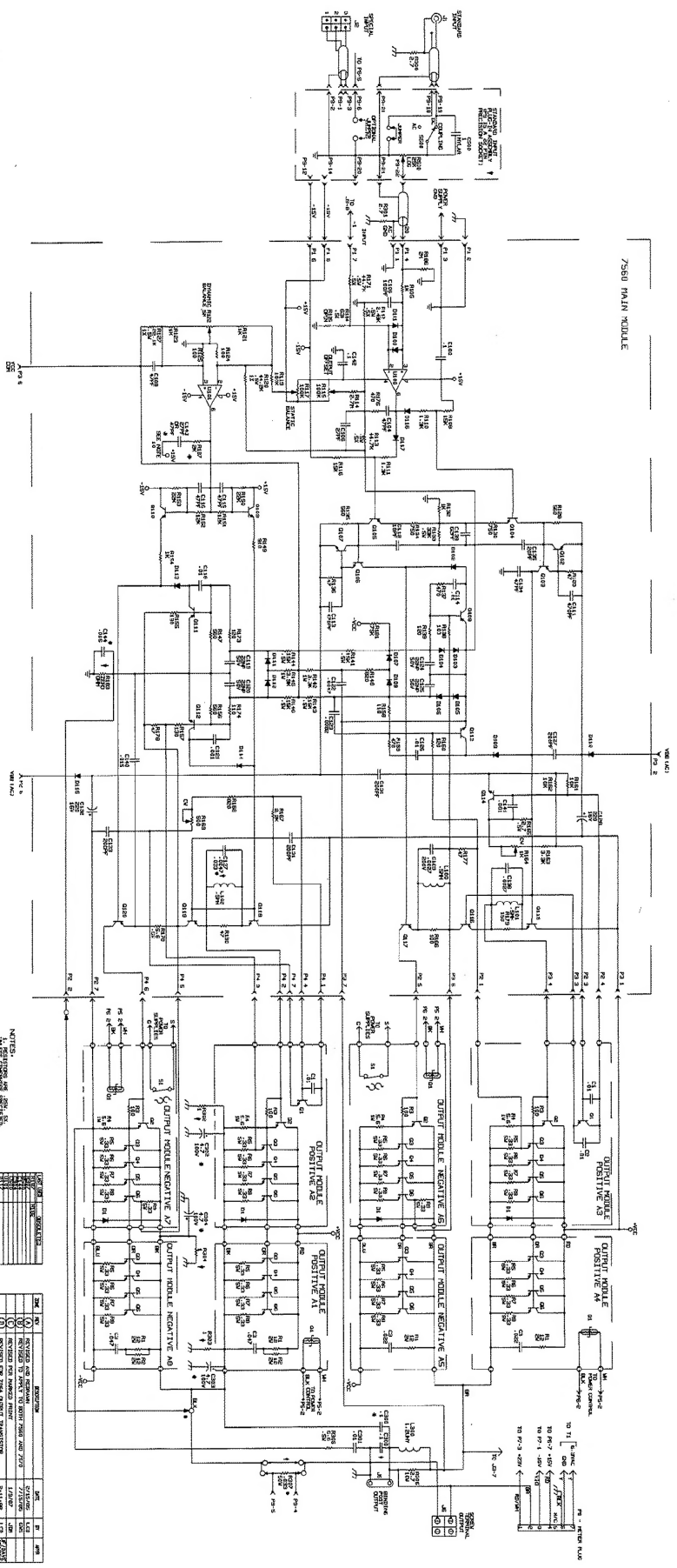


DISPLAY MODULE

DYNAMIC RANGE
25 dB
15 dB
12 dB
9 dB
6 dB

DELTA OMEGA 2000 INPUT MODULE





NOTES:
 1. RESISTORS ARE 1/2W. 5% TOL.
 2. RESISTOR VALUES ARE IN OHMS, UNLESS OTHERWISE SPECIFIED.
 3. CAPACITORS ARE 5% TOL. UNLESS OTHERWISE SPECIFIED.
 4. CAPACITORS ARE IN MICROFARADS, UNLESS OTHERWISE SPECIFIED.
 5. CAPACITORS ARE IN PICOFARADS, UNLESS OTHERWISE SPECIFIED.
 6. CAPACITORS ARE IN FARADS, UNLESS OTHERWISE SPECIFIED.
 7. CAPACITORS ARE IN MILLIFARADS, UNLESS OTHERWISE SPECIFIED.
 8. CAPACITORS ARE IN NANOFARADS, UNLESS OTHERWISE SPECIFIED.
 9. CAPACITORS ARE IN MICROFARADS, UNLESS OTHERWISE SPECIFIED.
 10. CAPACITORS ARE IN PICOFARADS, UNLESS OTHERWISE SPECIFIED.
 11. CAPACITORS ARE IN FARADS, UNLESS OTHERWISE SPECIFIED.
 12. CAPACITORS ARE IN MILLIFARADS, UNLESS OTHERWISE SPECIFIED.
 13. CAPACITORS ARE IN NANOFARADS, UNLESS OTHERWISE SPECIFIED.
 14. CAPACITORS ARE IN MICROFARADS, UNLESS OTHERWISE SPECIFIED.

| REV. | DESCRIPTION | DATE | BY |
|------|-----------------------------|---------|----------|
| 1 | ISSUED FOR CONSTRUCTION | 1/10/68 | W. J. H. |
| 2 | REVISED TO SHOW TEST POINTS | 3-10-68 | W. J. H. |
| 3 | REVISED TO SHOW TEST POINTS | 3-10-68 | W. J. H. |
| 4 | REVISED TO SHOW TEST POINTS | 3-10-68 | W. J. H. |
| 5 | REVISED TO SHOW TEST POINTS | 3-10-68 | W. J. H. |
| 6 | REVISED TO SHOW TEST POINTS | 3-10-68 | W. J. H. |
| 7 | REVISED TO SHOW TEST POINTS | 3-10-68 | W. J. H. |
| 8 | REVISED TO SHOW TEST POINTS | 3-10-68 | W. J. H. |
| 9 | REVISED TO SHOW TEST POINTS | 3-10-68 | W. J. H. |
| 10 | REVISED TO SHOW TEST POINTS | 3-10-68 | W. J. H. |

| REV. | DESCRIPTION | DATE | BY |
|------|-----------------------------|---------|----------|
| 1 | ISSUED FOR CONSTRUCTION | 1/10/68 | W. J. H. |
| 2 | REVISED TO SHOW TEST POINTS | 3-10-68 | W. J. H. |
| 3 | REVISED TO SHOW TEST POINTS | 3-10-68 | W. J. H. |
| 4 | REVISED TO SHOW TEST POINTS | 3-10-68 | W. J. H. |
| 5 | REVISED TO SHOW TEST POINTS | 3-10-68 | W. J. H. |
| 6 | REVISED TO SHOW TEST POINTS | 3-10-68 | W. J. H. |
| 7 | REVISED TO SHOW TEST POINTS | 3-10-68 | W. J. H. |
| 8 | REVISED TO SHOW TEST POINTS | 3-10-68 | W. J. H. |
| 9 | REVISED TO SHOW TEST POINTS | 3-10-68 | W. J. H. |
| 10 | REVISED TO SHOW TEST POINTS | 3-10-68 | W. J. H. |

Schematic, 7560 Main Amplifier