

QTY	MODEL	DEPENDENT PARTS	GEODYNE
1	R300	100K	100K
1	R301	100K	100K
1	R302	100K	100K
1	R303	100K	100K
1	R304	100K	100K
1	R305	100K	100K
1	R306	100K	100K
1	R307	100K	100K
1	R308	100K	100K
1	R309	100K	100K
1	R310	100K	100K
1	R311	100K	100K
1	R312	100K	100K
1	R313	100K	100K
1	R314	100K	100K
1	R315	100K	100K
1	R316	100K	100K
1	R317	100K	100K
1	R318	100K	100K
1	R319	100K	100K
1	R320	100K	100K
1	R321	100K	100K
1	R322	100K	100K
1	R323	100K	100K
1	R324	100K	100K
1	R325	100K	100K
1	R326	100K	100K
1	R327	100K	100K
1	R328	100K	100K
1	R329	100K	100K
1	R330	100K	100K
1	R331	100K	100K
1	R332	100K	100K
1	R333	100K	100K
1	R334	100K	100K
1	R335	100K	100K
1	R336	100K	100K
1	R337	100K	100K
1	R338	100K	100K
1	R339	100K	100K
1	R340	100K	100K
1	R341	100K	100K
1	R342	100K	100K
1	R343	100K	100K
1	R344	100K	100K
1	R345	100K	100K
1	R346	100K	100K
1	R347	100K	100K
1	R348	100K	100K
1	R349	100K	100K
1	R350	100K	100K
1	R351	100K	100K
1	R352	100K	100K
1	R353	100K	100K
1	R354	100K	100K
1	R355	100K	100K
1	R356	100K	100K
1	R357	100K	100K
1	R358	100K	100K
1	R359	100K	100K
1	R360	100K	100K
1	R361	100K	100K
1	R362	100K	100K
1	R363	100K	100K
1	R364	100K	100K
1	R365	100K	100K
1	R366	100K	100K
1	R367	100K	100K
1	R368	100K	100K
1	R369	100K	100K
1	R370	100K	100K
1	R371	100K	100K
1	R372	100K	100K
1	R373	100K	100K
1	R374	100K	100K
1	R375	100K	100K
1	R376	100K	100K
1	R377	100K	100K
1	R378	100K	100K
1	R379	100K	100K
1	R380	100K	100K
1	R381	100K	100K
1	R382	100K	100K
1	R383	100K	100K
1	R384	100K	100K
1	R385	100K	100K
1	R386	100K	100K
1	R387	100K	100K
1	R388	100K	100K
1	R389	100K	100K
1	R390	100K	100K
1	R391	100K	100K
1	R392	100K	100K
1	R393	100K	100K
1	R394	100K	100K
1	R395	100K	100K
1	R396	100K	100K
1	R397	100K	100K
1	R398	100K	100K
1	R399	100K	100K
1	R400	100K	100K

- NOTES:**
- ALL RESISTORS ARE IN OHMS, 1/4W, 5% UNLESS OTHERWISE SPECIFIED.
 - ALL CAPACITORS ARE IN MICROFARADS UNLESS OTHERWISE SPECIFIED.
 - CHANNEL 1 SHOWS FOR CHANNEL 2 AND VICE VERSA TO REFERENCE DESIGNATORS. CONNECTOR AND 25 PIN NUMBERS FOR CHANNELS 2 ARE SHOWN IN PARENTHESES WHEN THEY DIFFER FROM CHANNEL 1.
 - ALL VOLTAGE ARE SINGLE UNLESS OTHERWISE SPECIFIED.
 - ON J200 AND J202 THE STRIPPED WIRE GOES TO PIN 10 OF THE BOARD AND THE PIN NUMBERS HOLED ON THE BOARD SHOULD BE REVERSED FROM THE PIN NUMBERS ON THE BOARD AND THE SCHEMATIC.
 - STANDARD UNIT HAS RED OPEN. INSTALL JUMPER IN RED TO DISABLE CHANNEL 2 SIGNAL INDICATOR LIGHT IN PARALLEL MONO SECTION.
 - POWER SUPPLY VOLTAGES SHOWN UNDER NO LOAD CONDITION.
 - CHANNEL 2 PRE-DRIVER BASES LOOP THROUGH STEREO-MONO SWITCH S4.
 - THIS SCHEMATIC REVISION APPLIES TO:
 - MAIN BOARD 27922-B / 44322-B FOR BEO 1
 - OR MAIN BOARD 27922-C / 44322-C FOR BEO 2
 - OR MAIN BOARD 27922-D / 44322-D FOR BEO 3
 - OR MAIN BOARD 27922-E / 44322-E FOR BEO 4
 - OR MAIN BOARD 27922-F / 44322-F FOR BEO 5
 - OR MAIN BOARD 27922-G / 44322-G FOR BEO 6
 - OR MAIN BOARD 27922-H / 44322-H FOR BEO 7
 - OR MAIN BOARD 27922-I / 44322-I FOR BEO 8
 - OR MAIN BOARD 27922-J / 44322-J FOR BEO 9
 - OR MAIN BOARD 27922-K / 44322-K FOR BEO 10
 - OR MAIN BOARD 27922-L / 44322-L FOR BEO 11
 - OR MAIN BOARD 27922-M / 44322-M FOR BEO 12
 - OR MAIN BOARD 27922-N / 44322-N FOR BEO 13
 - OR MAIN BOARD 27922-O / 44322-O FOR BEO 14
 - OR MAIN BOARD 27922-P / 44322-P FOR BEO 15
 - OR MAIN BOARD 27922-Q / 44322-Q FOR BEO 16
 - OR MAIN BOARD 27922-R / 44322-R FOR BEO 17
 - OR MAIN BOARD 27922-S / 44322-S FOR BEO 18
 - OR MAIN BOARD 27922-T / 44322-T FOR BEO 19
 - OR MAIN BOARD 27922-U / 44322-U FOR BEO 20
 - OR MAIN BOARD 27922-V / 44322-V FOR BEO 21
 - OR MAIN BOARD 27922-W / 44322-W FOR BEO 22
 - OR MAIN BOARD 27922-X / 44322-X FOR BEO 23
 - OR MAIN BOARD 27922-Y / 44322-Y FOR BEO 24
 - OR MAIN BOARD 27922-Z / 44322-Z FOR BEO 25

CROWN INTERNATIONAL, INC.
1748 WEST HIGHWAY 60 ROAD ELKHART, IN 46517 PHONE (616) 294-8000

SCHEMATIC: GEODYNE MAIN

DATE	DESIGNED BY	APPROVED BY	DO NOT SCALE PRINT
02/27/91	HE	HE	SUPERSEDES J0435-B REV. 0
SCALE	NONE	EE	E.C.H. J0435-B 8/24/91
PROJ. NO.	0257	HE	C.P.N. SHEET 1 OF 2 REV
DATE	3/8/91	HE	J0435-B (E)

PRINTS TO: GA

NEXT ASSEMBLY:

E.C.N.	ZONE	REV.	DESCRIPTION	DATE	BY	APPROVALS
		①	REVISED PER MARKED SCHEMATIC OF 3/8/91	3/13/91	TLM	TE
H7, E7, H8, E8		②	ADDED DIODES D198-132 AND D899-232 ADDED RESISTORS R818, R819 AND R100, H101B D187, D897, D897 HAS IN4004 S; R147, T48, T47, T49 T48, T49, T51 WERE 10K	8/24/91	TLM	TE
H1, H2, H3, H4, H5, H6, H9, H10		③	DELETE R100 AND R101 R100-R101, R100-1000 WERE 150K L300, L400 WERE 1.0UH ADD D114, E18, D14, D18 ADD T91-1 T91U T91-0 ADD R114, R14 ADD D817-R81, D1017-L101	10/05/92	LCD	JM
		④	REMOVE R100 BETWEEN P903-3 AND P903-1 ADD P900 BETWEEN P901-1 AND P902-2	04-10-93	LCD	JM

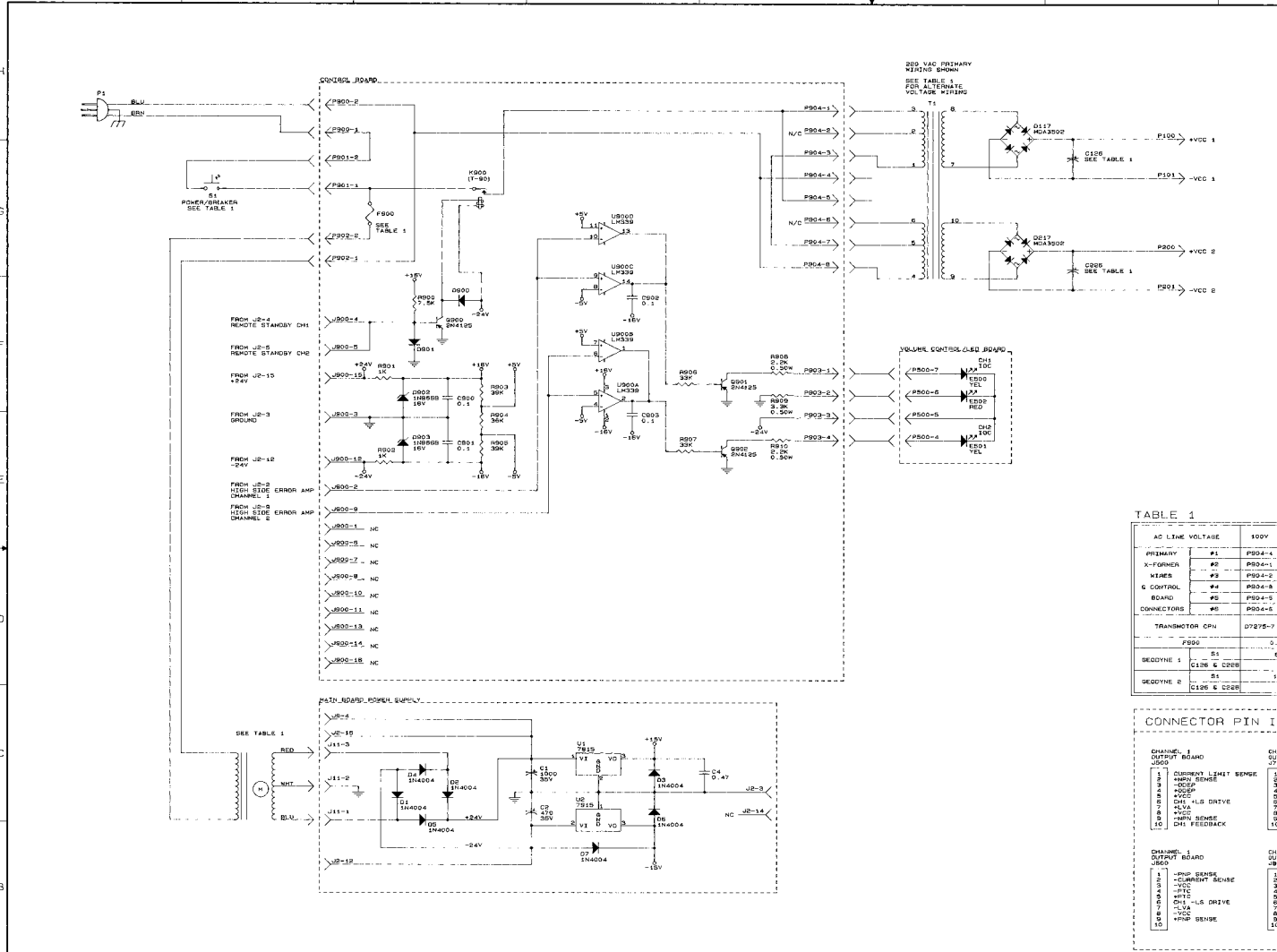


TABLE 1

AC LINE VOLTAGE	100V	120V	220/230V	240V
PRIMARY	#1 P904-4	P904-4	P904-3	P904-3
X-FORMER	#2 P904-1	P904-2	P904-2	P904-2
WIRES	#3 P904-2	P904-1	P904-1	P904-1
CONTROL BOARD	#4 P904-4	P904-4	P904-4	P904-4
CONNECTORS	#5 P904-5	P904-5	P904-7	P904-7
TRANSFORMER CP4	D7875-7	D6603-7	D6604-5	
P900	0.5A	0.25A	0.25A	
GEODYNE 1	S1	8A	4A	
	C106 & C206	7800 / 80V		
GEODYNE 2	S1	15A	8A	
	C106 & C206	10000 / 110V		

COMMON

LAST USED	OBSOLETE
D7	C3
R18	R2, 3, 5, 6, 11-15
U2	S1, 2

CHANNEL 1

LAST USED	OBSOLETE
C157	C102, 121, 125, 127, 128, 131, 132, 140, 143
D130	D100-107, 114+116, 119, 119
N102	
E192	D114
H190	H100, 112, 114, 115, 118, 117, 149, 172, 174
H216	H900-905
U164	

CHANNEL 2

LAST USED	OBSOLETE
D257	C202, 221, 225, 227, 228, 231, 232, 242, 243
D293	D200-207, 214-216, 219, 219
H202	
D262	D214
H260	H200, 212, 214, 215, 216, 217, 260, 272, 274
H1015	H1000-1005
U204	

CONNECTOR PIN IDENTIFICATION

CHANNEL 1 INPUT BOARD J800	CHANNEL 2 OUTPUT BOARD J700
1 - CURRENT LIMIT SENSE	1 - CURRENT LIMIT SENSE
2 - +MPP SENSE	2 - +MPP SENSE
3 - -MPP SENSE	3 - -MPP SENSE
4 - +OCP	4 - +OCP
5 - -OCP	5 - -OCP
6 - CH1 -LS DRIVE	6 - CH1 -LS DRIVE
7 - +V/A	7 - +V/A
8 - +MPP SENSE	8 - +MPP SENSE
9 - CH1 FEEDBACK	9 - CH1 FEEDBACK
10 -	10 -

CHANNEL 1 INPUT BOARD J800	CHANNEL 2 OUTPUT BOARD J800
1 - +MPP SENSE	1 - +MPP SENSE
2 - -MPP SENSE	2 - -MPP SENSE
3 - +OCP	3 - +OCP
4 - -OCP	4 - -OCP
5 - +V/A	5 - +V/A
6 - CH1 -LS DRIVE	6 - CH1 -LS DRIVE
7 - +V/A	7 - +V/A
8 - +MPP SENSE	8 - +MPP SENSE
9 - +MPP SENSE	9 - +MPP SENSE
10 -	10 -

CROWN INTERNATIONAL, INC.
1719 WEST NICHAMAKA ROAD ELKHART, IN. 46517 PHONE (317) 284-8000

SCHEMATIC: GEODYNE MAIN

DATE	SCALE	BY	CHKD	APP'D	REV. D
04	NONE	EE	TE	8/8/91	J0435-B

DO NOT SCALE PRINT

SUPP/SECS J0435-B REV. D
E.C.N. J0435-B 8/24/91
C.P.N. SHEET 2 OF 2
REV. J0435-B