

# CROWN SERVICE MANUAL

## 3-BAND 8-TRANSISTOR PORTABLE RADIO

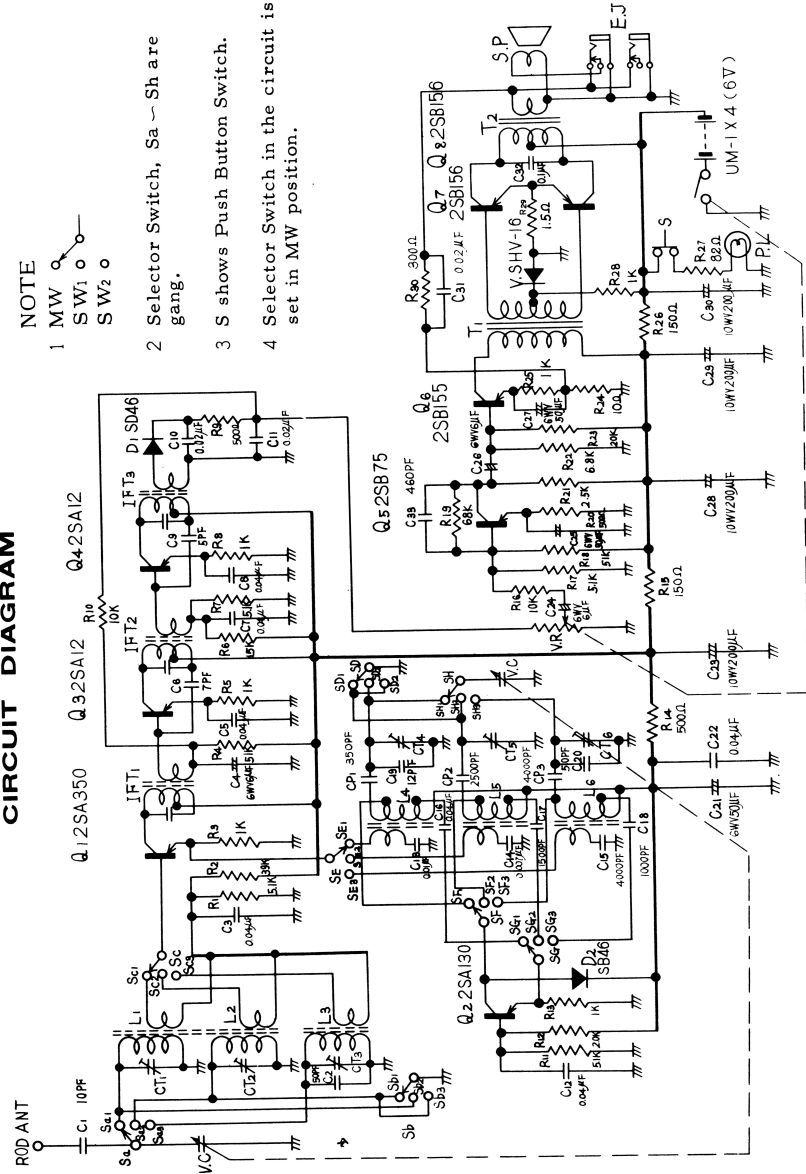
### MODEL HT-88



#### SPECIFICATIONS

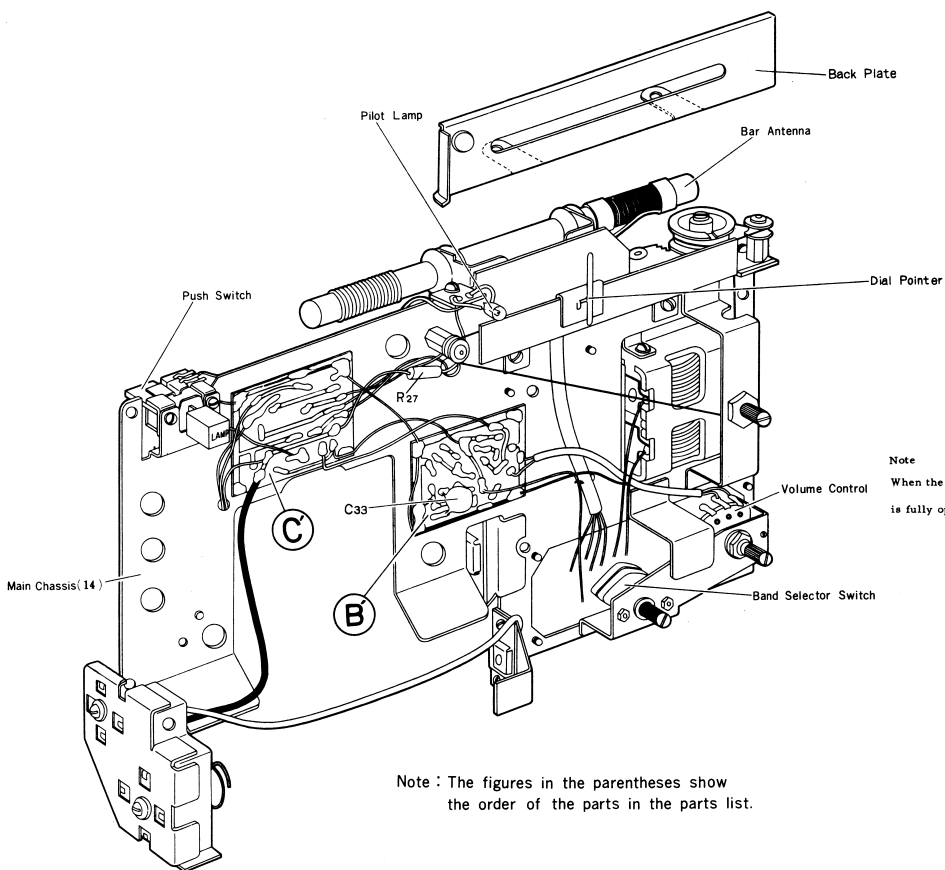
<b>TYPE</b>	3-Band Portable Radio													
<b>CIRCUIT SYSTEM</b>	3-Band 8-Transistor 2-Diode Super-Heterodyne													
<b>FREQUENCY RANGE</b>	MW: 525 ± 5KC ~ 1650 ± 30KC	SW1: 2.9 ± 30KC ~ 9.5 ± 0.2MC												
	SW2: 8.9 ± 50KC ~ 19.5 ± 0.2MC													
<b>INTERMEDIATE FREQUENCY</b>	455KC													
<b>SENSITIVITY</b>	MW: <table border="0"><tr><td>620KC</td><td>38DB</td></tr><tr><td>1000KC</td><td>38DB</td></tr><tr><td>1400KC</td><td>38DB</td></tr></table>	620KC	38DB	1000KC	38DB	1400KC	38DB	SW1: <table border="0"><tr><td>3.5MC</td><td>38DB</td></tr><tr><td>6.0MC</td><td>38DB</td></tr><tr><td>7.5MC</td><td>38DB</td></tr></table>	3.5MC	38DB	6.0MC	38DB	7.5MC	38DB
620KC	38DB													
1000KC	38DB													
1400KC	38DB													
3.5MC	38DB													
6.0MC	38DB													
7.5MC	38DB													
	SW2: <table border="0"><tr><td>10MC</td><td>30DB</td></tr><tr><td>14MC</td><td>30DB</td></tr><tr><td>16MC</td><td>30DB</td></tr></table>	10MC	30DB	14MC	30DB	16MC	30DB	Using Dummy Antenna for only SW2						
10MC	30DB													
14MC	30DB													
16MC	30DB													
<b>OUTPUT POWER</b>	Undistorted Max. Output 300mW (at 10% Distortion)													
	Maximum Output 600mW													
<b>MAIN PARTS</b>	<ol style="list-style-type: none"> <li>Transistor: 2SA350 Frequency Mixer, 2SA130 Local Oscillator, 2SA12 1st Intermediate Frequency Amplifier, 2SA12 2nd Intermediate Frequency Amplifier, 2SB75 1st Audio Amplifier, 2SB115 2nd Audio Amplifier, 2SB156 x 2 Power Amplifier</li> <li>Diode: SD46 Detector, SD46 Oscillation Voltage Controller</li> <li>Varistor: HV-16 Temperature Compensation</li> <li>Speaker: 4" φ x 6" (102 x 152m/m) P.D. Speaker</li> <li>Antenna: 10 φ x 160m/m Ferrite Core Antenna</li> <li>Push Switch: For Pilot Lamp</li> <li>Band Selector: 2 Sections 8 Circuits 3 Positions</li> </ol>													
<b>MECHANISM</b>	<ol style="list-style-type: none"> <li>Main Tuning Knob</li> <li>Power Switch &amp; Volume Control Knob</li> <li>Band Selector Knob</li> <li>Antenna: 12-Sections Rod Antenna 75 m/m</li> <li>Cabinet: Unbreakable Cabinet</li> </ol>													
<b>DIMENSIONS</b>	10 <sup>5</sup> / <sub>8</sub> " x 6 <sup>5</sup> / <sub>16</sub> " x 2 <sup>3</sup> / <sub>4</sub> " (270 x 160 x 70 m/m)													
<b>WEIGHT</b>	4.6 lbs (2.1Kg) with Batteries													
<b>POWER SOURCE</b>	Battery	UM-1 x 4 (6V)												

#### CIRCUIT DIAGRAM



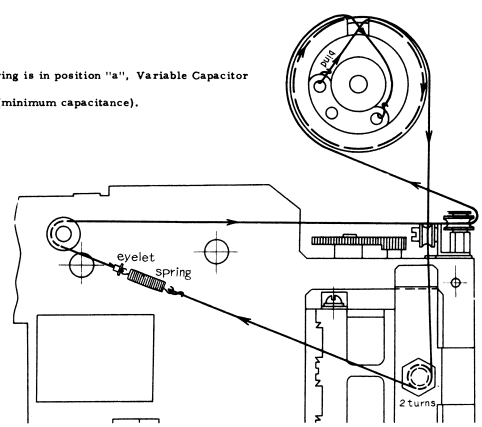
CROWN RADIO CORPORATION

MOUNTING (1)



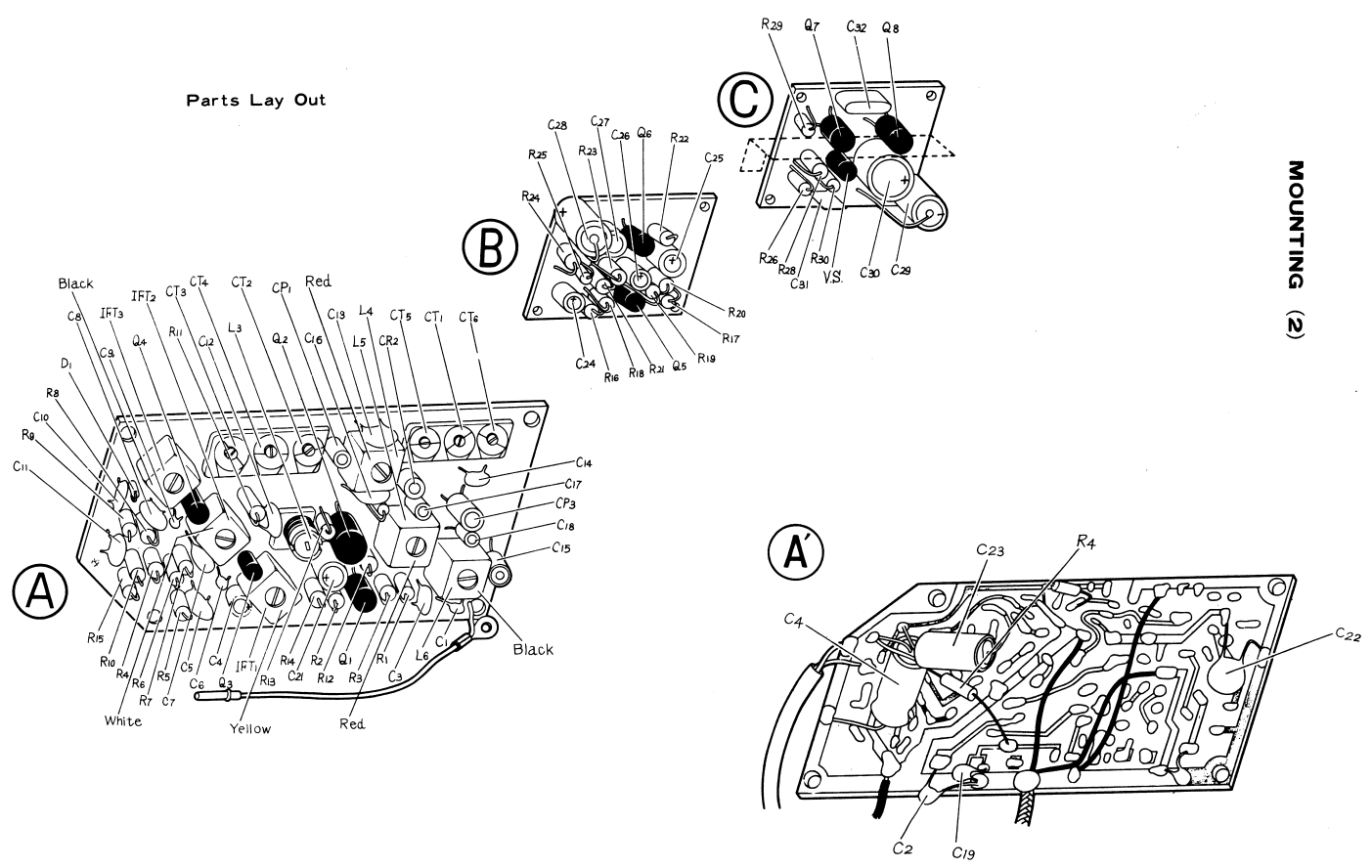
Dial Mechanism Chart

Note  
When the spring is in position "a", Variable Capacitor is fully open (minimum capacitance).



Note : The figures in the parentheses show the order of the parts in the parts list.

Parts Lay Out



MOUNTING (2)