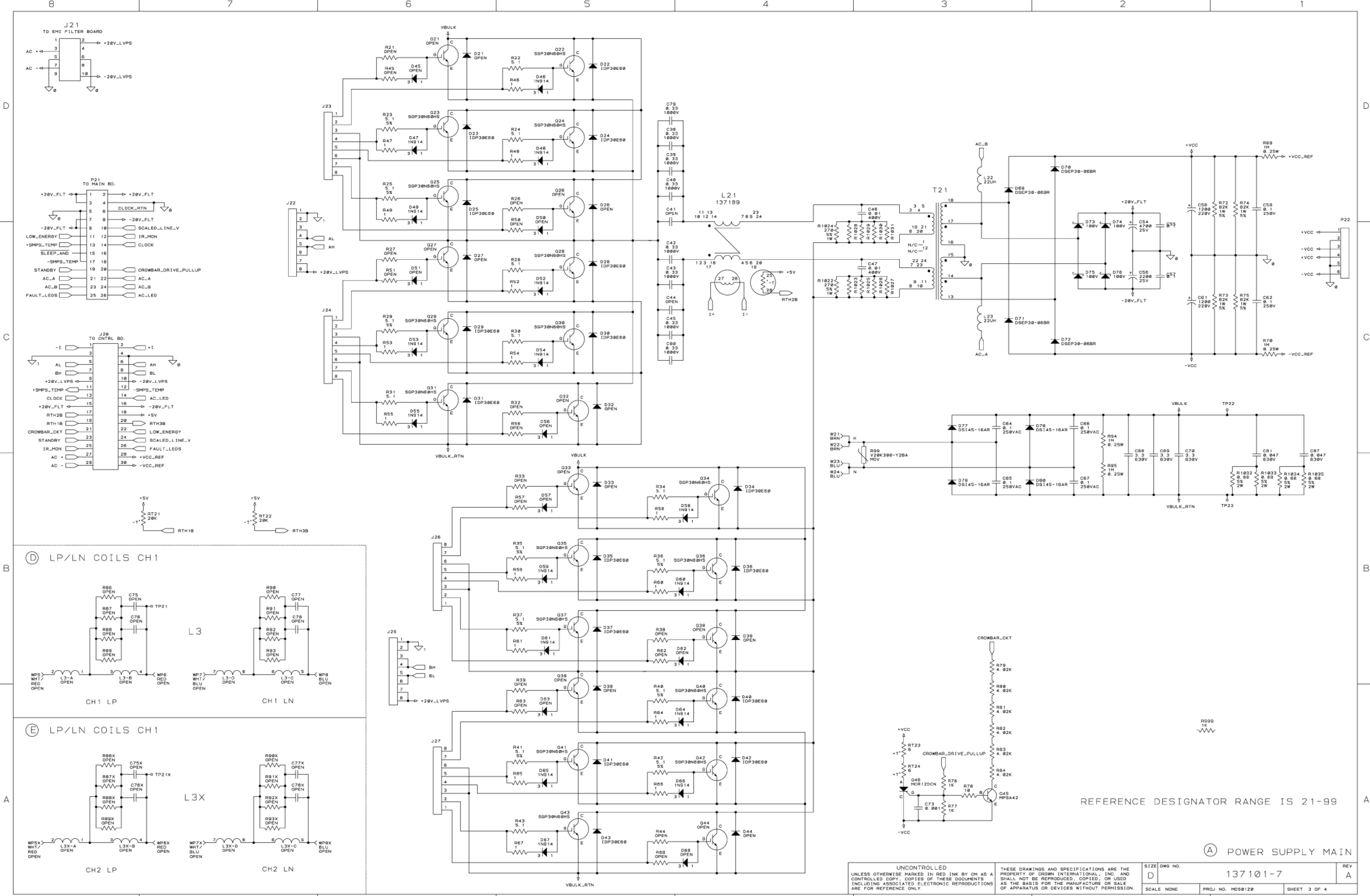


- NOTES:
1. ALL RESISTORS ARE IN OHMS, 1/10W, 1%, UNLESS OTHERWISE SPECIFIED.
 2. ALL CAPACITORS ARE IN MICROFARADS, UNLESS OTHERWISE SPECIFIED.
 3. SEE 137101-7_A.XLS FOR PWA DATA AND REVISION HISTORY.

REFERENCE DESIGNATOR RANGE IS 1-21 EXCEPT FOR CAPACITORS WHICH ENDS AT C33

EMI FILTER / LVPS

UNCONTROLLED UNLESS OTHERWISE MARKED IN RED INK BY CM AS A CONTROLLED COPY. COPIES OF THESE DOCUMENTS INCLUDING ASSOCIATED ELECTRONIC REPRODUCTIONS ARE FOR REFERENCE ONLY.	THESE DRAWINGS AND SPECIFICATIONS ARE THE PROPERTY OF CROWN INTERNATIONAL, INC. AND SHALL NOT BE REPRODUCED, COPIED, OR USED AS THE BASIS FOR THE MANUFACTURE OR SALE OF APPARATUS OR DEVICES WITHOUT PERMISSION.		SIZE D	DWG NO. 137101-7	REV A
	SCALE NONE	PROJ. NO. HD50120	SHEET 2 OF 4		



D

D

C

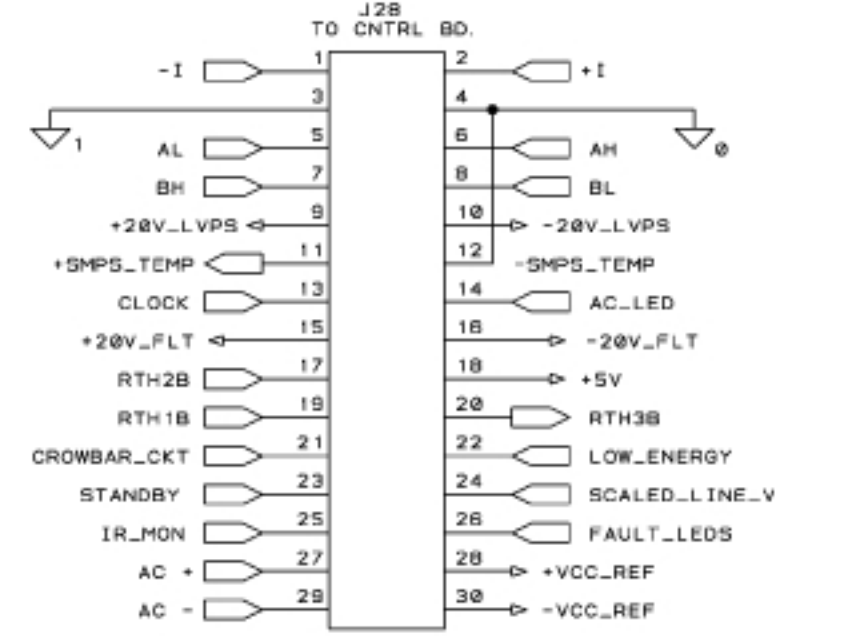
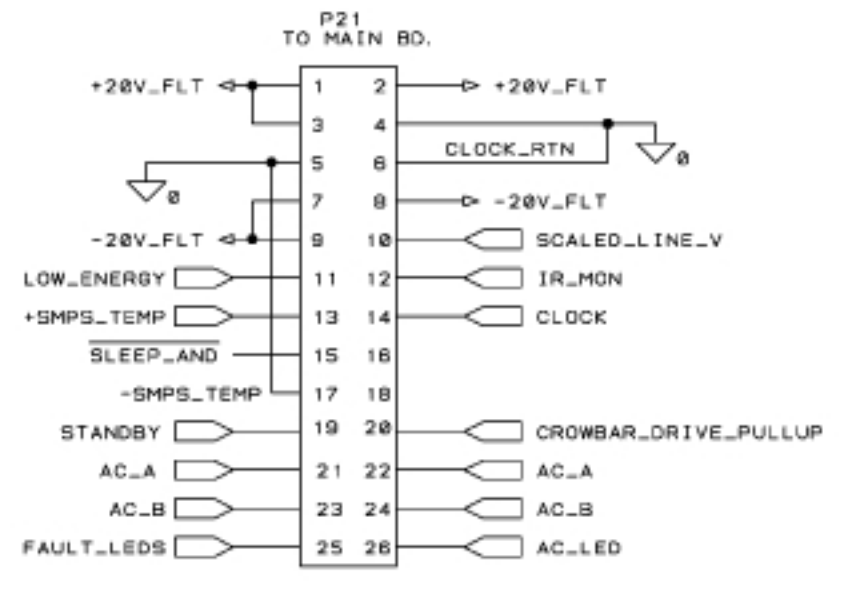
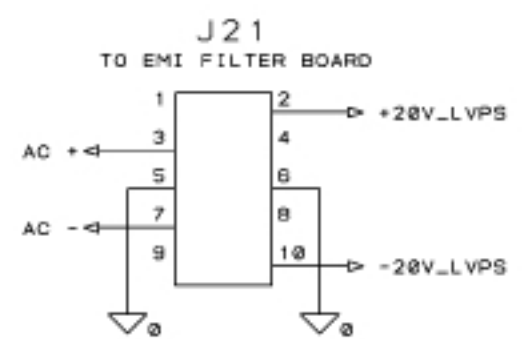
C

B

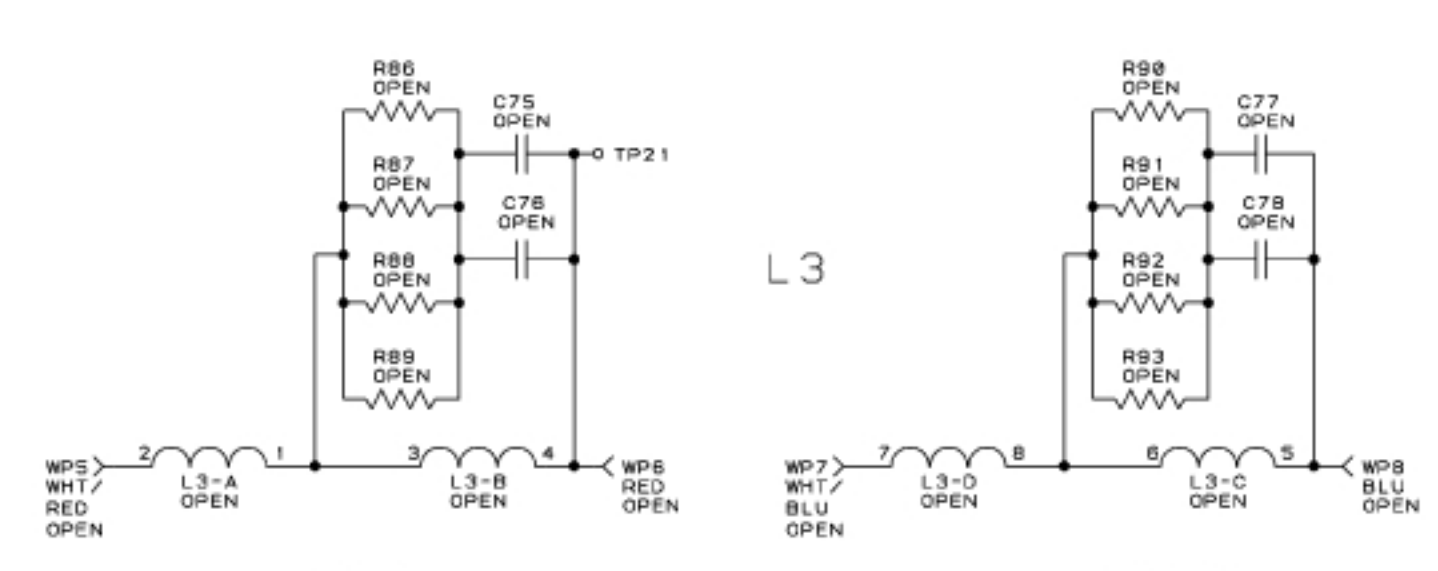
B

A

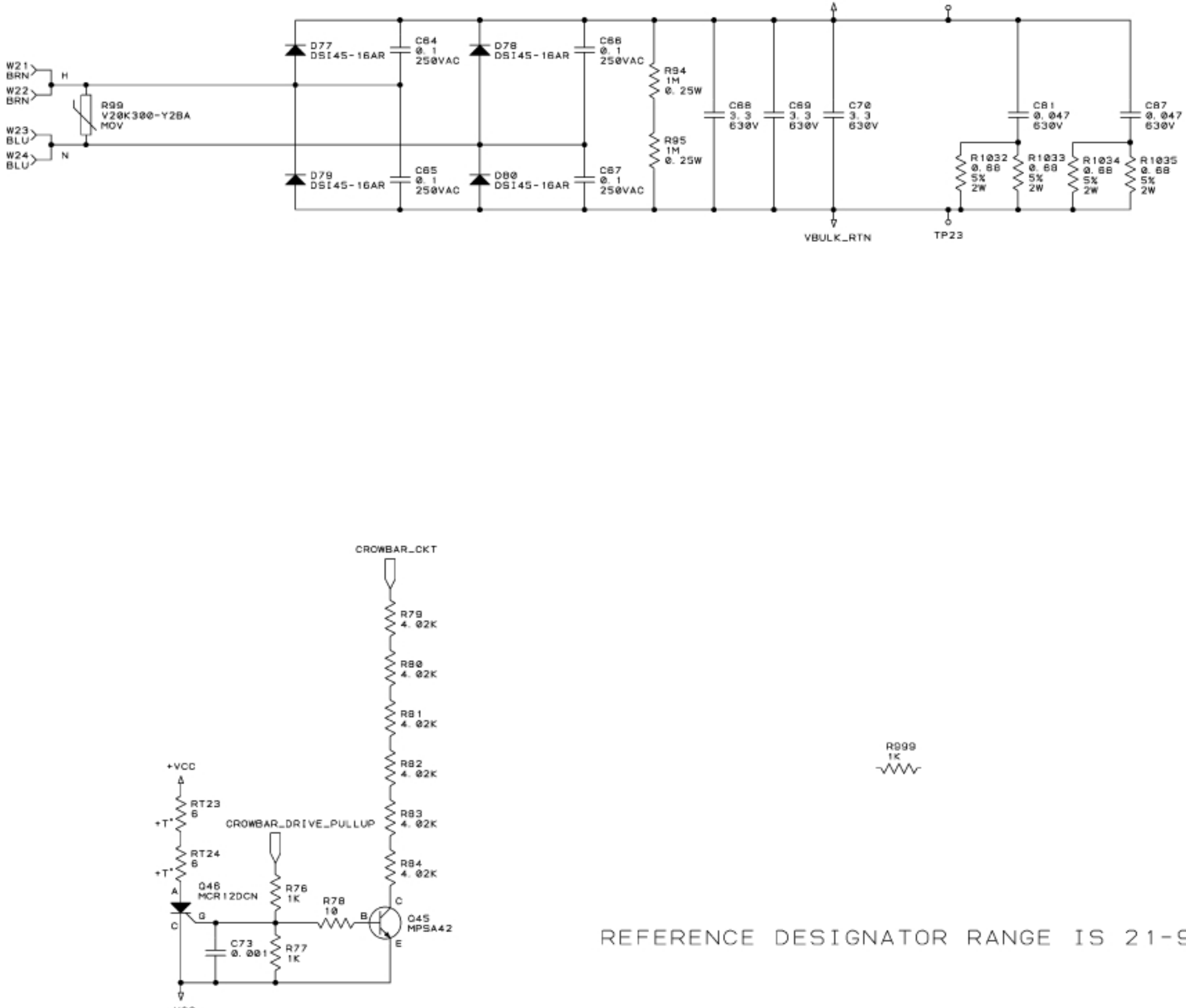
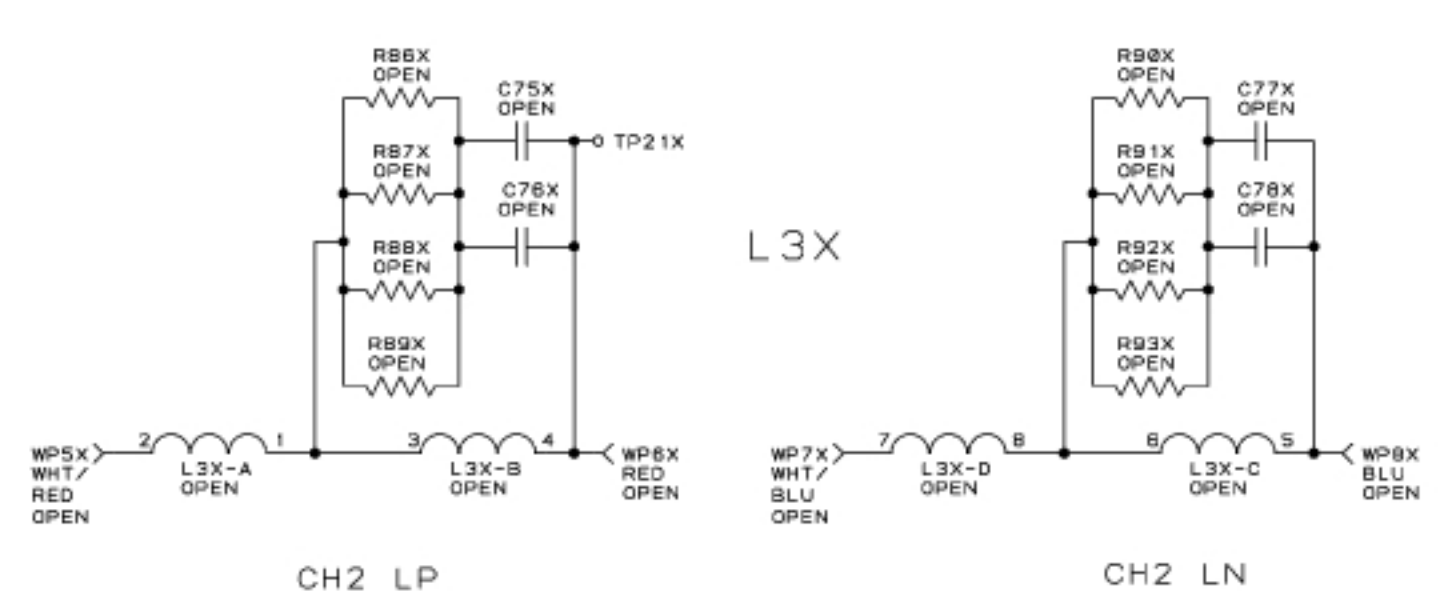
A



Ⓓ LP/LN COILS CH1



Ⓔ LP/LN COILS CH2



REFERENCE DESIGNATOR RANGE IS 21-99

Ⓐ POWER SUPPLY MAIN

UNCONTROLLED UNLESS OTHERWISE MARKED IN RED INK BY CM AS A CONTROLLED COPY. COPIES OF THESE DOCUMENTS INCLUDING ASSOCIATED ELECTRONIC REPRODUCTIONS ARE FOR REFERENCE ONLY.		THESE DRAWINGS AND SPECIFICATIONS ARE THE PROPERTY OF CROWN INTERNATIONAL, INC. AND SHALL NOT BE REPRODUCED, COPIED, OR USED AS THE BASIS FOR THE MANUFACTURE OR SALE OF APPARATUS OR DEVICES WITHOUT PERMISSION.	
SIZE D	DWG NO. 137101-7	REV A	
SCALE NONE	PROJ. NO. HD50120	SHEET 3 OF 4	

