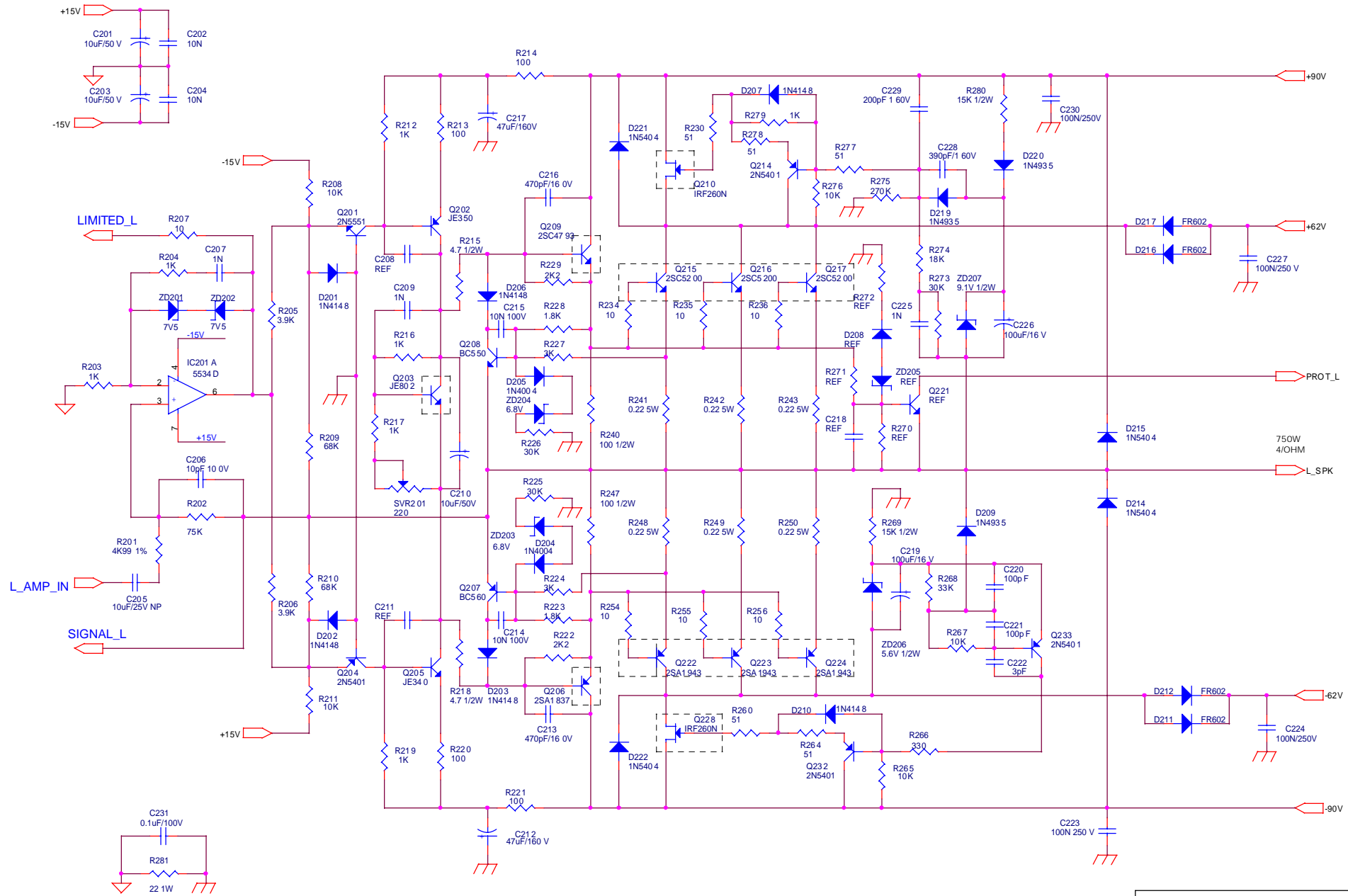
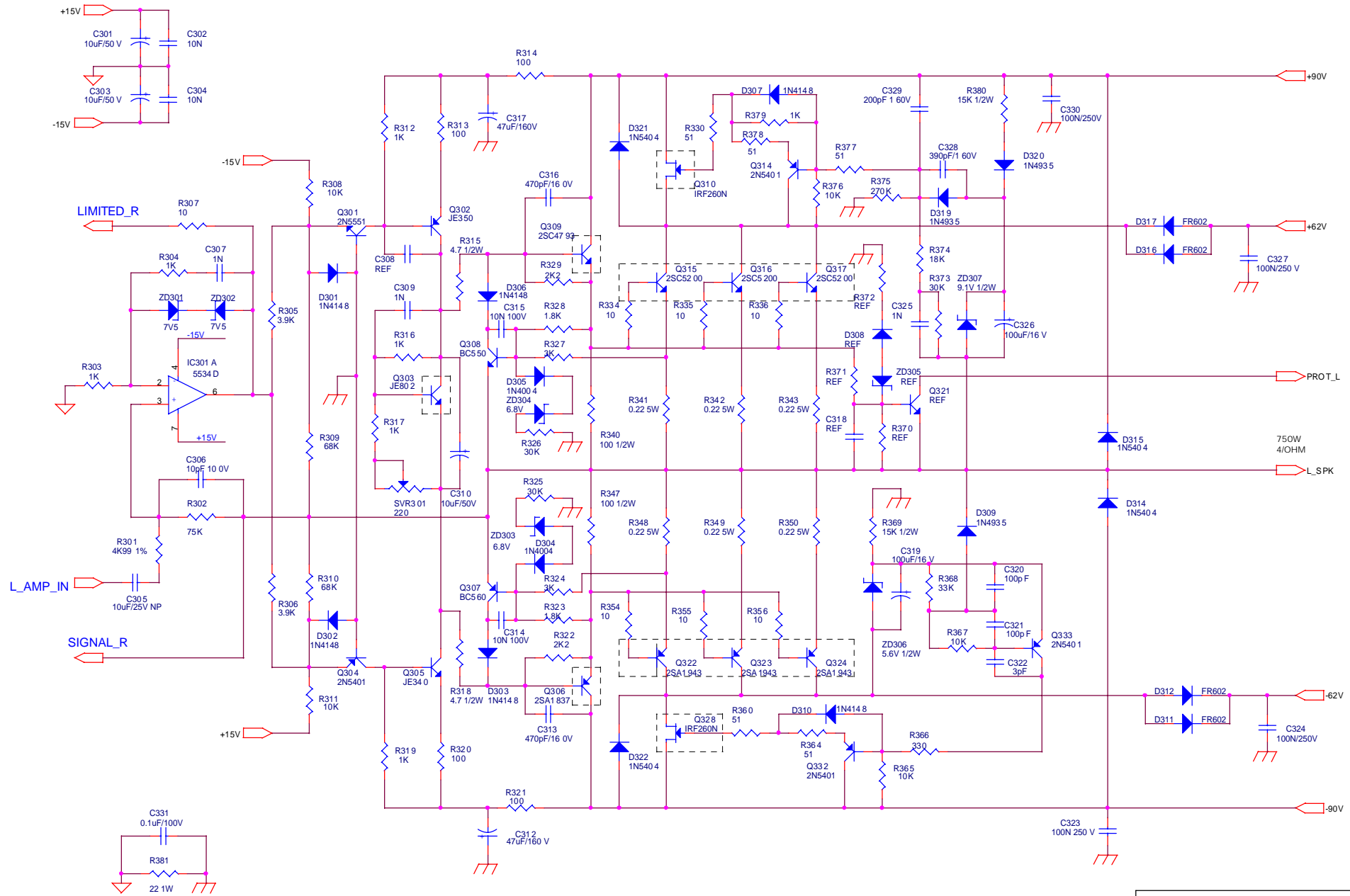


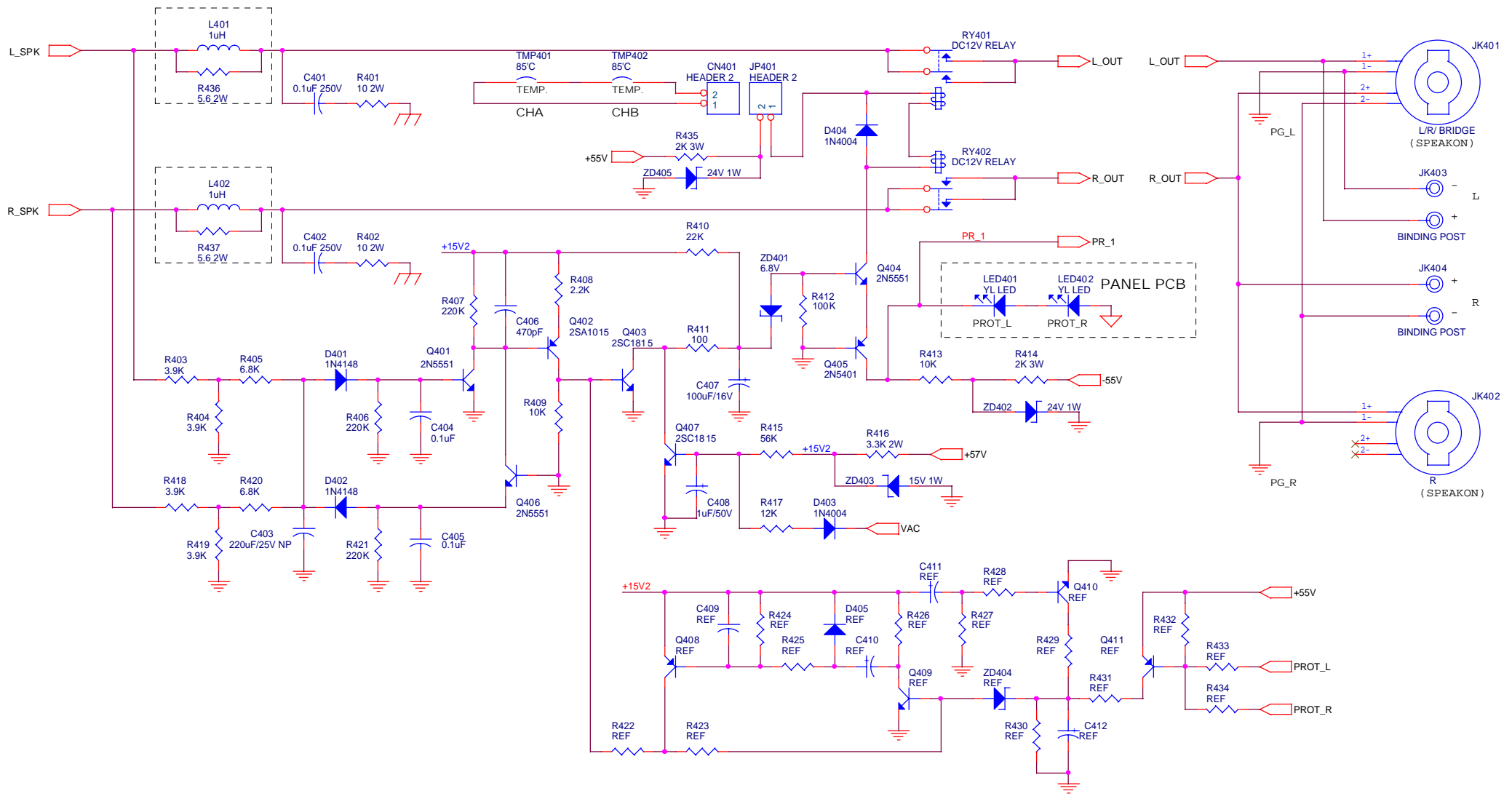
PHONIC CORP.		
Title		
LPS2500 INPUT		
Size	Document Number	Rev
A3	INPUT.SCH	A
Date:	Wednesday, September 26, 2007	Sheet 2 of 6



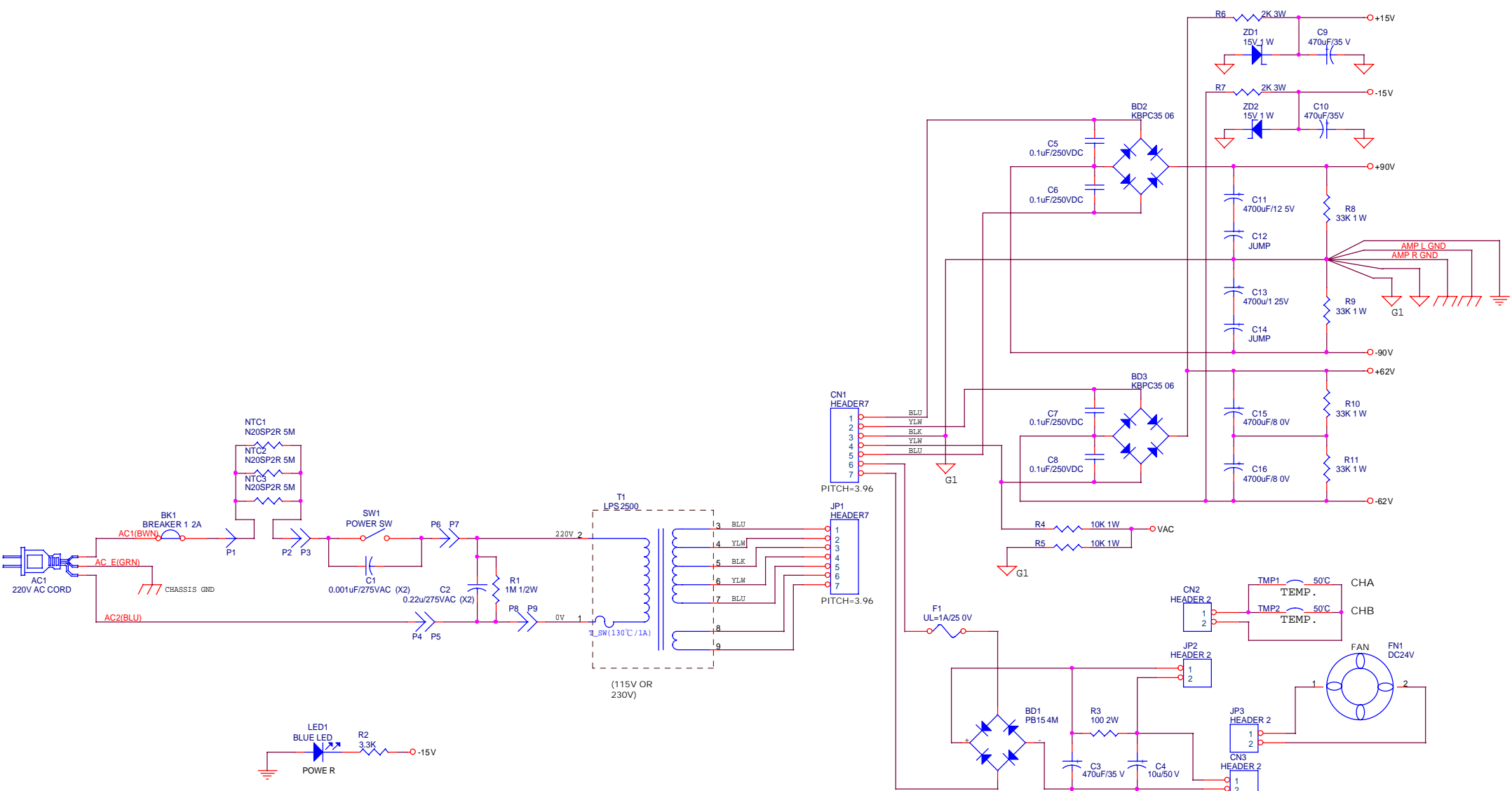
PHONIC CORP.			
Title			
LPS2500 L POWER AMP.			
Size	Document Number	Rev	
A3	LAMP.SCH	A	
Date:	Wednesday, September 26, 2007	Sheet	3 of 6



PHONIC CORP.			
Title			
LPS2500 R POWER AMP.			
Size	Document Number	Rev	
A3	RAMP.SCH	A	
Date:	Wednesday, September 26, 2007	Sheet	4 of 6



PHONIC CORP.			
Title			
LPS2500 SPK OUT			
Size	Document Number		Rev
B	SPK.SCH		A
Date:	Wednesday, September 26, 2007	Sheet	5 of 6
			1



PHONIC CORP.			
Title LPS2500 POWER SUPPLY			
Size A3	Document Number POWER.SCH	Rev A	
Date: Wednesday, September 26, 2007	Sheet 6	of	6