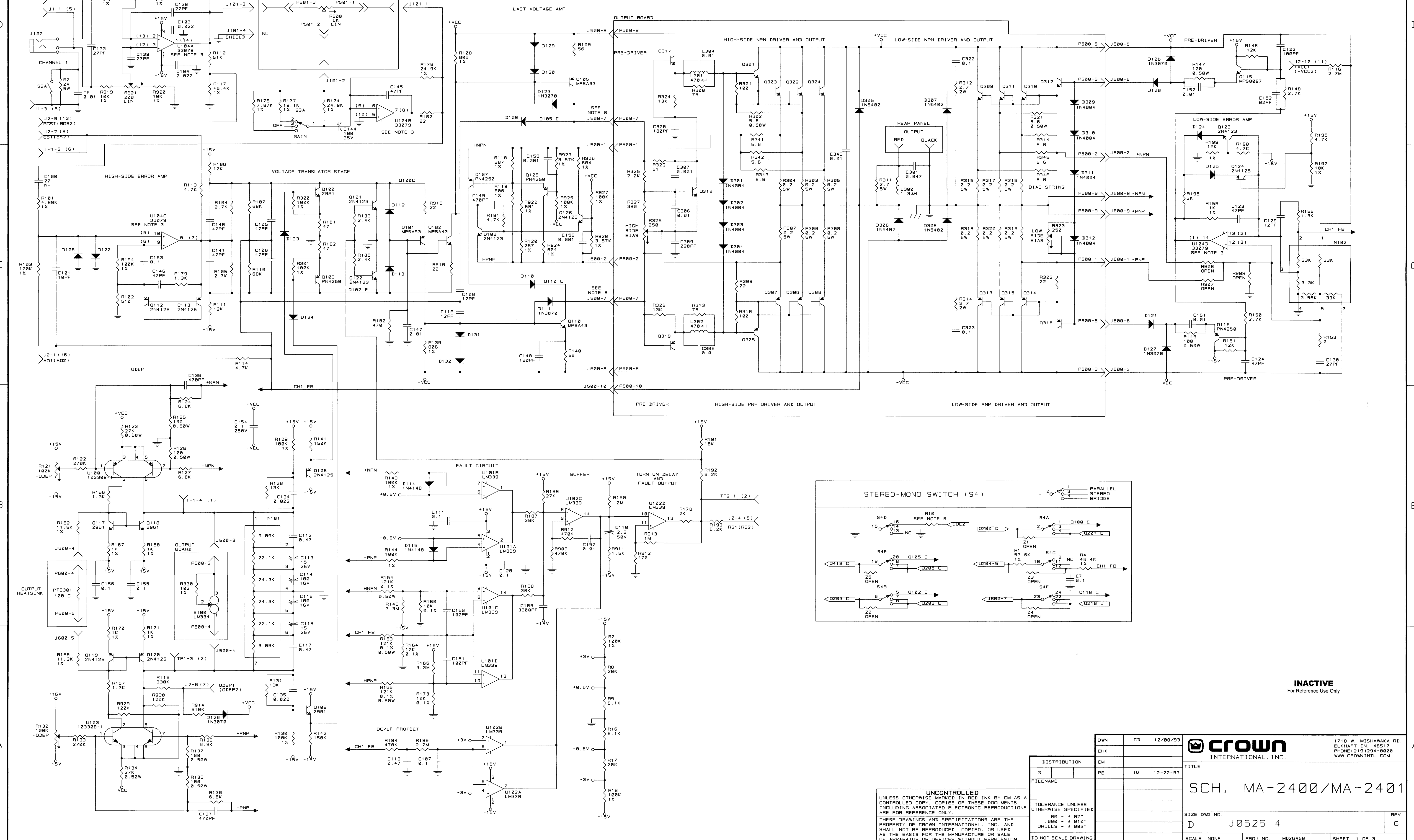


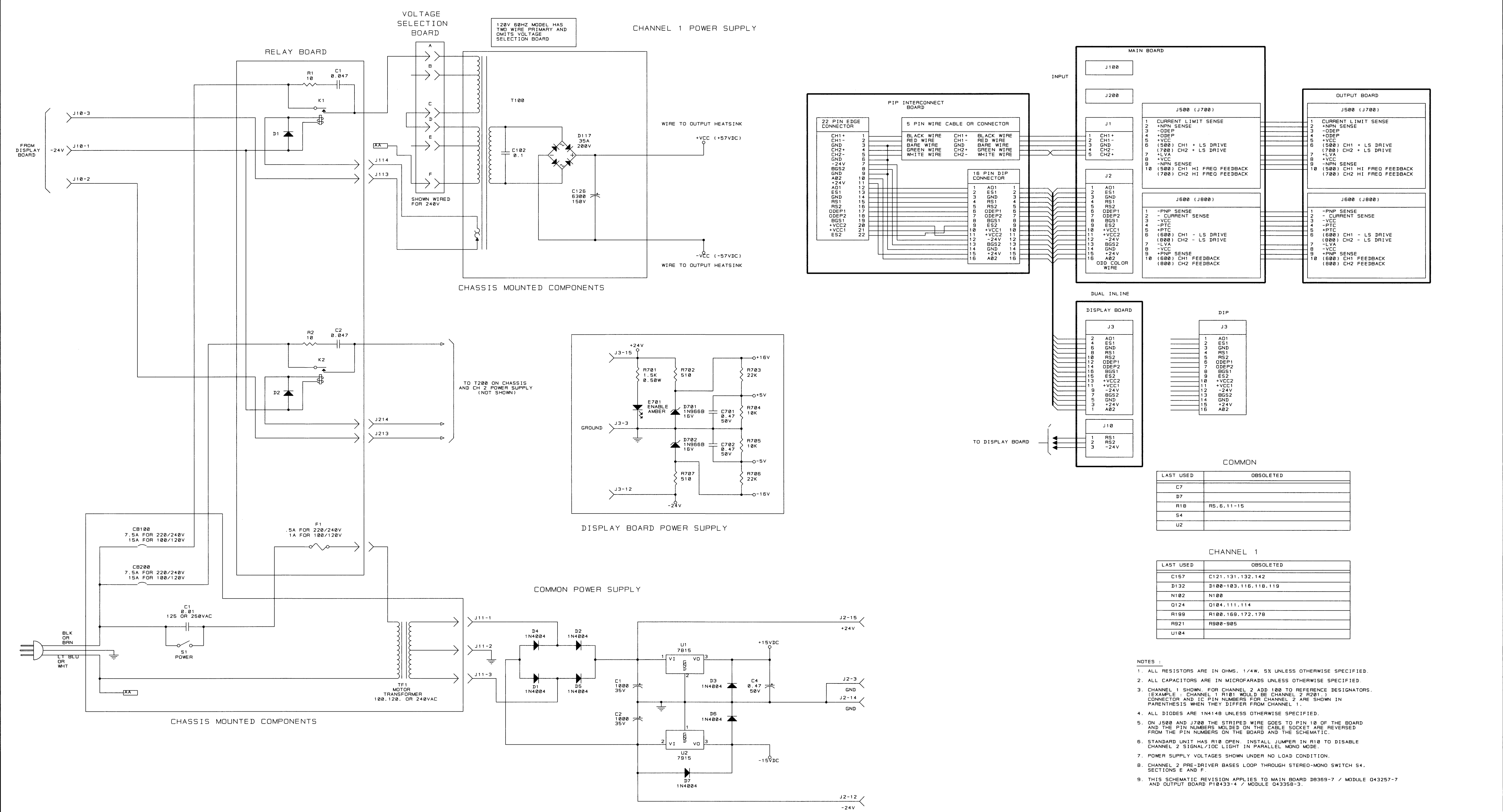
REVISION HISTORY					
E. C. N.	ZONE	REV	DESCRIPTION	DATE	APPROVED
		C	ON SHEET 2, C5 WAS 1000 NOW IS C1 AT 470 C109, C209, WERE 330PF R172, R272 WERE 22.1K ADD R341, 342, 343, 344, 345, 346, 441, 442, 443.	08/03/94	LCD CHK CM JM
EAT 04-174		D	444, 445, 446	11/07/94	LCD JM
EAT 95-244		E	R312, R314, R412, R414 WERE 1W NOW 2W	09/11/95	LCD JM
EAT 95-217		F	CHANGE DISPLAY CONN FROM DIP TO DUAL INLINE DELETE DISPLAY BOARD	10/09/95	LCD TS
00N0005		G	CHANGE D109, 126, 209, 226 TO C 7458-B. CHANGE U100, 200 TO 103309-1. CHANGE U103, 203 TO 103308-1.	02/04/00	JAW KZ LZ



DWN	LCD	12/08/93	 1718 W. MISHAWAKA RD. ELKHART IN. 46517 PHONE (219) 294-8000 WWW.CROWNINTL.COM
CHK			
CM			
G	JM	12-22-93	TITLE
FILENAME			SCH, MA-2400/MA-2401
DISTRIBUTION			SIZE DWG. NO.
PE			D J0625-4
TOLERANCE UNLESS OTHERWISE SPECIFIED			REV
.00 - ±.02"			G
.010 - ±.010"			
DRILLS - ±.003"			
DO NOT SCALE DRAWING			SCALE NONE
			PRJ. NO. MD26450
			SHEET 1 OF 3

UNCONTROLLED
UNLESS OTHERWISE MARKED IN RED INK BY CM AS A CONTROLLED COPY. COPIES OF THESE DOCUMENTS INCLUDING ASSOCIATED ELECTRONIC REPRODUCTIONS ARE FOR REFERENCE ONLY.
THESE DRAWINGS AND SPECIFICATIONS ARE THE PROPERTY OF CROWN INTERNATIONAL, INC. AND SHALL NOT BE REPRODUCED, COPIED, OR USED AS THE BASIS FOR THE MANUFACTURE OR SALE OF APPARATUS OR DEVICES WITHOUT PERMISSION.

INACTIVE
For Reference Use Only



COMMON

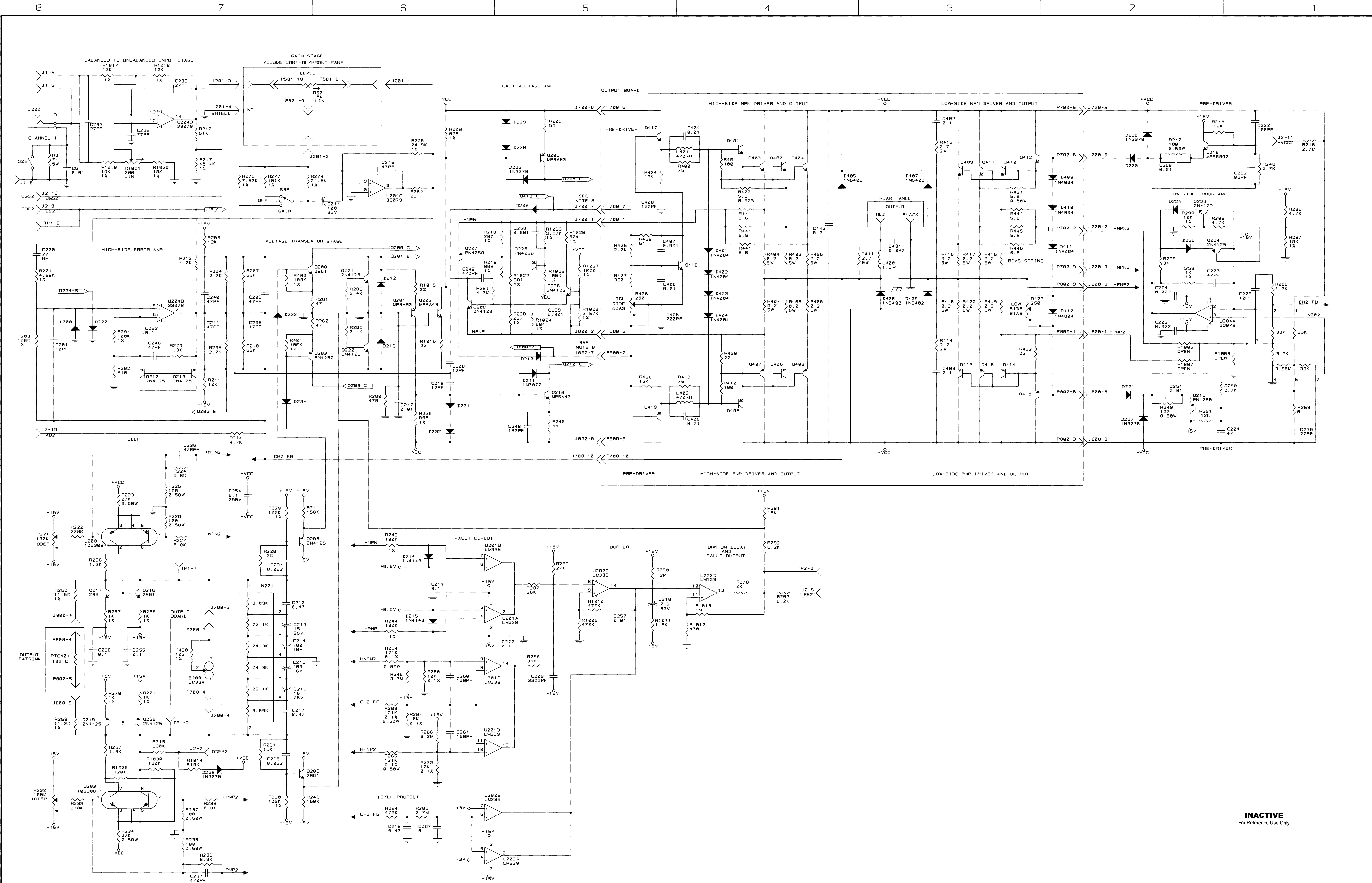
LAST USED	OBSOLETE
C7	
D7	
R10	RS.6, 11-15
S4	
U2	

CHANNEL 1

LAST USED	OBSOLETE
C157	C121, 131, 132, 142
D132	D100-103, 116, 118, 119
N102	N100
Q124	Q104, 111, 114
R109	R100, 169, 172, 170
RS21	RS00-905
U104	

- NOTES:
- ALL RESISTORS ARE IN OHMS, 1/4W, 5% UNLESS OTHERWISE SPECIFIED.
 - ALL CAPACITORS ARE IN MICROFARADS UNLESS OTHERWISE SPECIFIED.
 - CHANNEL 1 SHOWN FOR CHANNEL 2 ADD 100 TO REFERENCE DESIGNATORS. (EXAMPLE CHANNEL 1 R101 WOULD BE CHANNEL 2 R201) CONNECTOR AND IC PIN NUMBERS FOR CHANNEL 2 ARE SHOWN IN PARENTHESES WHEN THEY DIFFER FROM CHANNEL 1.
 - ALL DIODES ARE 1N4140 UNLESS OTHERWISE SPECIFIED.
 - ON J500 AND J700 THE STRIPED WIRE GOES TO PIN 10 OF THE BOARD AND THE PIN NUMBERS MOLDED ON THE CABLE SOCKET ARE REVERSED FROM THE PIN NUMBERS ON THE BOARD AND THE SCHEMATIC.
 - STANDARD UNIT HAS R10 OPEN. INSTALL JUMPER IN R10 TO DISABLE CHANNEL 2 SIGNAL/IOC LIGHT IN PARALLEL MONO MODE.
 - POWER SUPPLY VOLTAGES SHOWN UNDER NO LOAD CONDITION.
 - CHANNEL 2 PRE-DRIVER BASES LOOP THROUGH STEREO-MONO SWITCH S4.
 - SECTION E AND F
 - THIS SCHEMATIC REVISION APPLIES TO MAIN BOARD DB369-7 / MODULE 043257-7 AND OUTPUT BOARD P10433-4 / MODULE 043358-3.

INACTIVE
For Reference Use Only



INACTIVE
For Reference Use Only