

E. C. N.	ZONE	REV	DESCRIPTION	DATE	BY	APPROVALS
95E018C 95E019C EAT#95-114	(A)		CORRECT VALUES IN NOTE 9 FOR R175, R275, R177, R277 CORRECT PIN NUMBERS AT J10 ADD CH 2 PIN NUMBERS IN DISPLAY SECTION	01/23/95	LCD	JM
EAT# 95-217	(B)		DELETE DISPLAY BOARD CHANGE DISPLAY CONN. FROM DIP TO DUAL IN-LINE COMBINE 2 FUSE BDS INTO 1 BOARD ON SHEET 3	10/09/95	LCD	JM

CROWN INTERNATIONAL, INC.
1718 WEST WISHAWAKA ROAD ELKHART, IN. 46517 PHONE (219) 294-8000

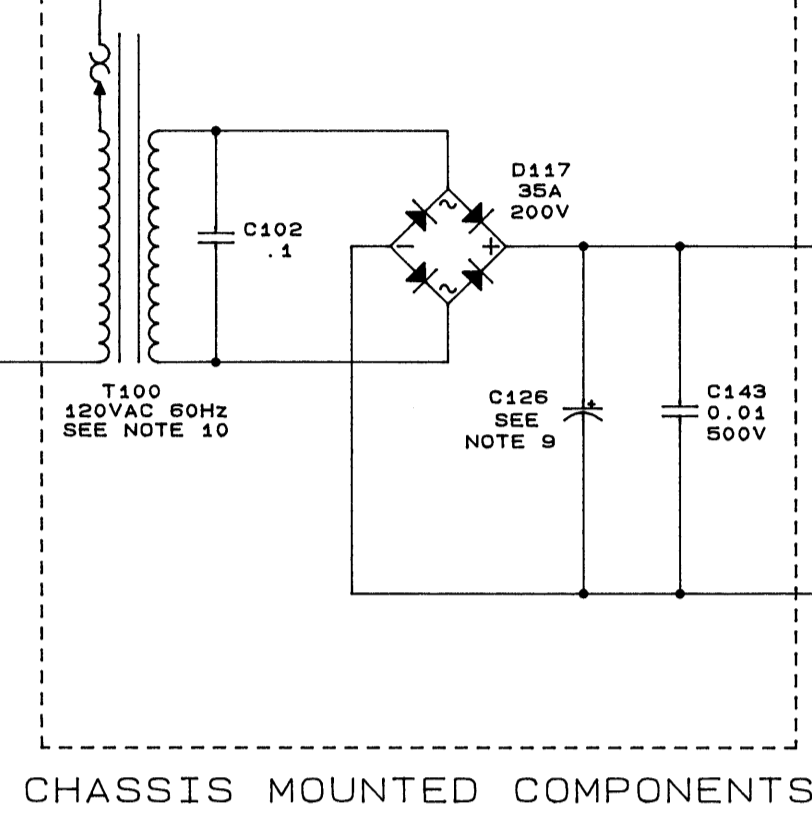
SCHEMATIC, MA-600/601/1200/1201

PRINTS TO		DRAWN	LCD	12/09/93	APPROVED BY :	DO NOT SCALE PRINT
g						
CHECKED	LCD	ME			SUPERSEDES J0629-6	
SCALE	NONE	EE			E. C. N.	
PROJ #	D264	PE	JM	12/22/93	C.P.N.	SHEET 1 OF 3
NEXT ASSEMBLY						J0629-6 (B)

MA-600/1200 120V POWER SUPPLY

CHANNEL 1 POWER SUPPLY

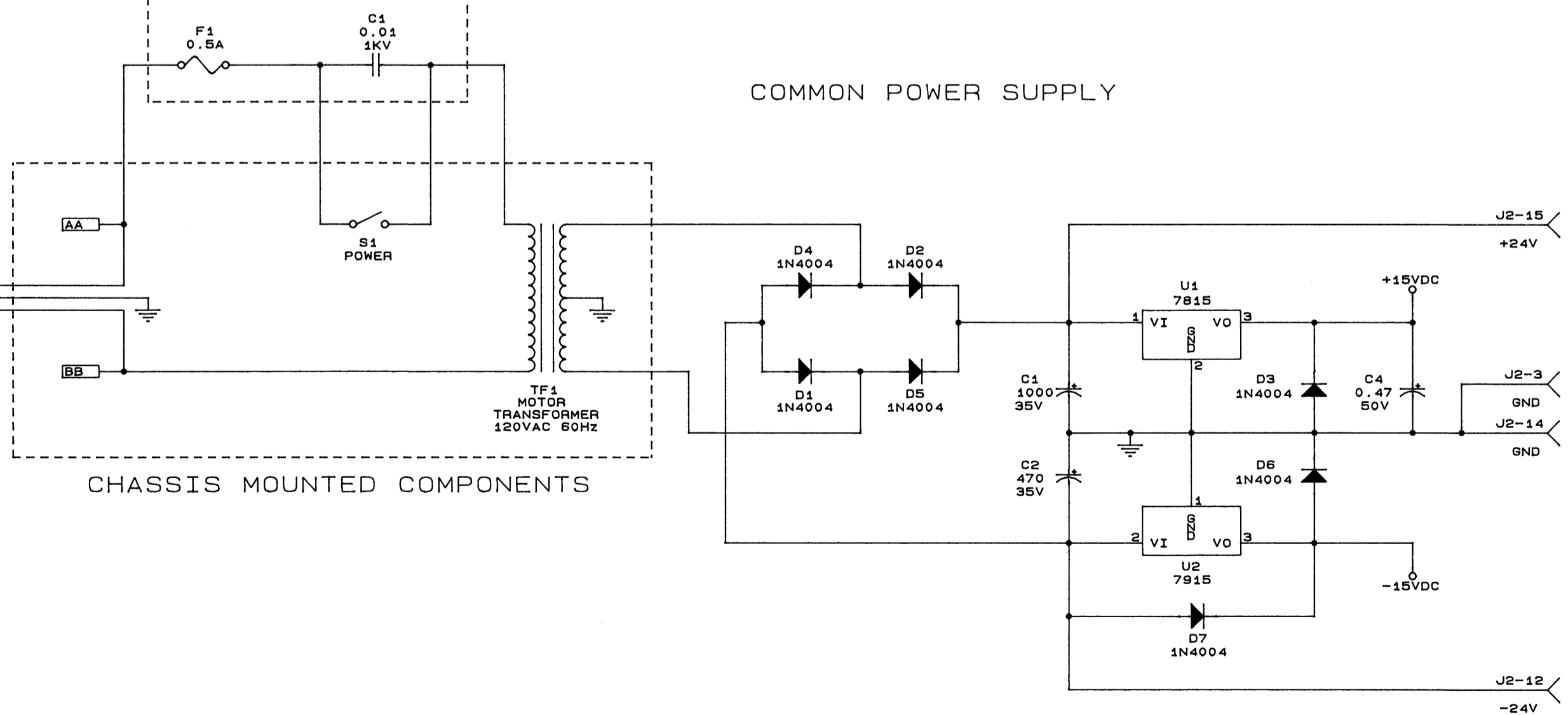
RELAY BOARD



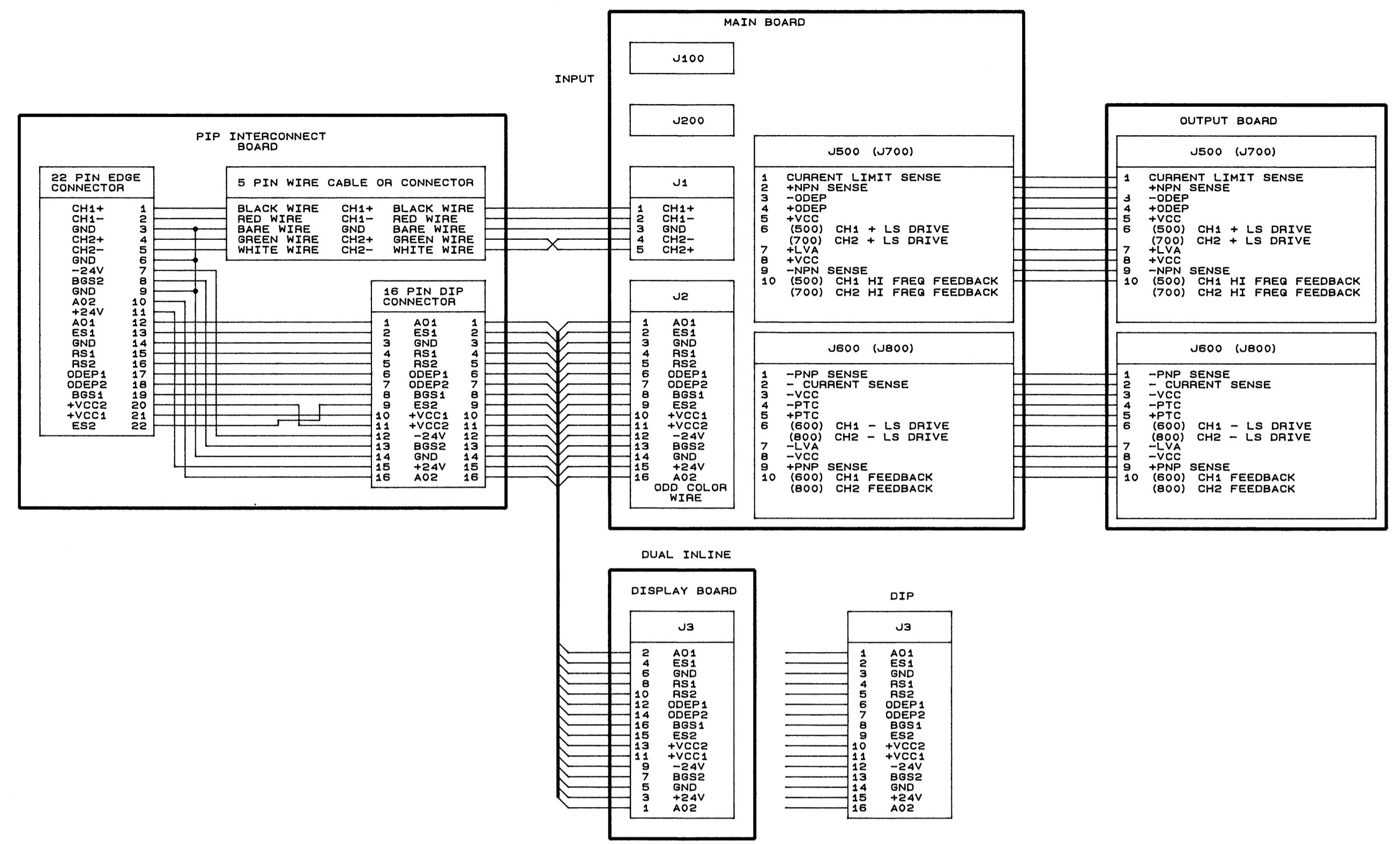
CHASSIS MOUNTED COMPONENTS

TO T200 ON CHASSIS AND CH 2 POWER SUPPLY (NOT SHOWN)

COMMON POWER SUPPLY



CHASSIS MOUNTED COMPONENTS



- NOTES :
- ALL RESISTORS ARE IN OHMS, 1/4W, 5% UNLESS OTHERWISE SPECIFIED.
 - ALL CAPACITORS ARE IN MICROFARADS UNLESS OTHERWISE SPECIFIED.
 - CHANNEL 1 SHOWN, FOR CHANNEL 2 ADD 100 TO REFERENCE DESIGNATORS. (EXAMPLE: CHANNEL 1 R101 WOULD BE CHANNEL 2 R201.) CONNECTOR AND IC PIN NUMBERS FOR CHANNEL 2 ARE SHOWN IN PARENTHESES WHEN THEY DIFFER FROM CHANNEL 1.
 - ALL DIODES ARE 1N4148 UNLESS OTHERWISE SPECIFIED.
 - ON J500 AND J700 THE STRIPED WIRE GOES TO PIN 10 OF THE BOARD AND THE PIN NUMBERS MOLDED ON THE CABLE SOCKET ARE REVERSED FROM THE PIN NUMBERS ON THE BOARD AND THE SCHEMATIC.
 - STANDARD UNIT HAS R10 OPEN. INSTALL JUMPER IN R10 TO DISABLE CHANNEL 2 SIGNAL INDICATOR LIGHT IN PARALLEL MONO MODE.
 - POWER SUPPLY VOLTAGES SHOWN UNDER NO LOAD CONDITION.
 - CHANNEL 2 PRE-DRIVER BASES LOOP THROUGH STEREO-MONO SWITCH S4, SECTIONS E AND F.
 - VALUES ARE MODEL DEPENDANT AS FOLLOWS:

	MAB00/MA601	MA1200/MA1201
R175, R275	14.3K 1%	11.3K 1%
C126, C226	7800UF 90V	10000UF 100V
+VCC	+40 VOLTS	+45 VOLTS
-VCC	-40 VOLTS	-45 VOLTS
R177, R277	47.5K 1%	34.0K 1%
C113, C116		
C213, C216	0.47UF 50V	6.8UF 50V
R188, R268	976	853
R915, R916	39	10
R1015, R1016		
C305, C405	0.0047UF	0.0047UF

- T100, T200 INCLUDE AN INTERNAL THERMAL SWITCH
 - R330, R430 VALUE DEPENDS ON GRADE OF SENSOR S100 AS FOLLOWS:
- | GRADE OF SENSOR S100 OR S200 | VALUE OF RESISTOR R330 OR R430 |
|------------------------------|--------------------------------|
| BLUE | 107 OHM 1% 0.25W |
| GREEN | 102 OHM 1% 0.25W |
| YELLOW | 100 OHM 1% 0.25W |

- Q304, Q308, Q309 AND Q313 ARE OMITTED FROM MODEL MAB00 AND MA601.
- * = OMITTED ON THESE MODELS.
- THIS SCHEMATIC APPLIES TO AMPLIFIERS USING MAIN BOARD D7993-5 MAIN MODULES: G43030-B OR G43032-4 AND OUTPUT BOARD P10397-1 OUTPUT MODULE: G43202-3

CROWN INTERNATIONAL, INC.
1718 WEST MISHAWAKA ROAD ELKHART, IN. 46517 PHONE (219) 294-8000

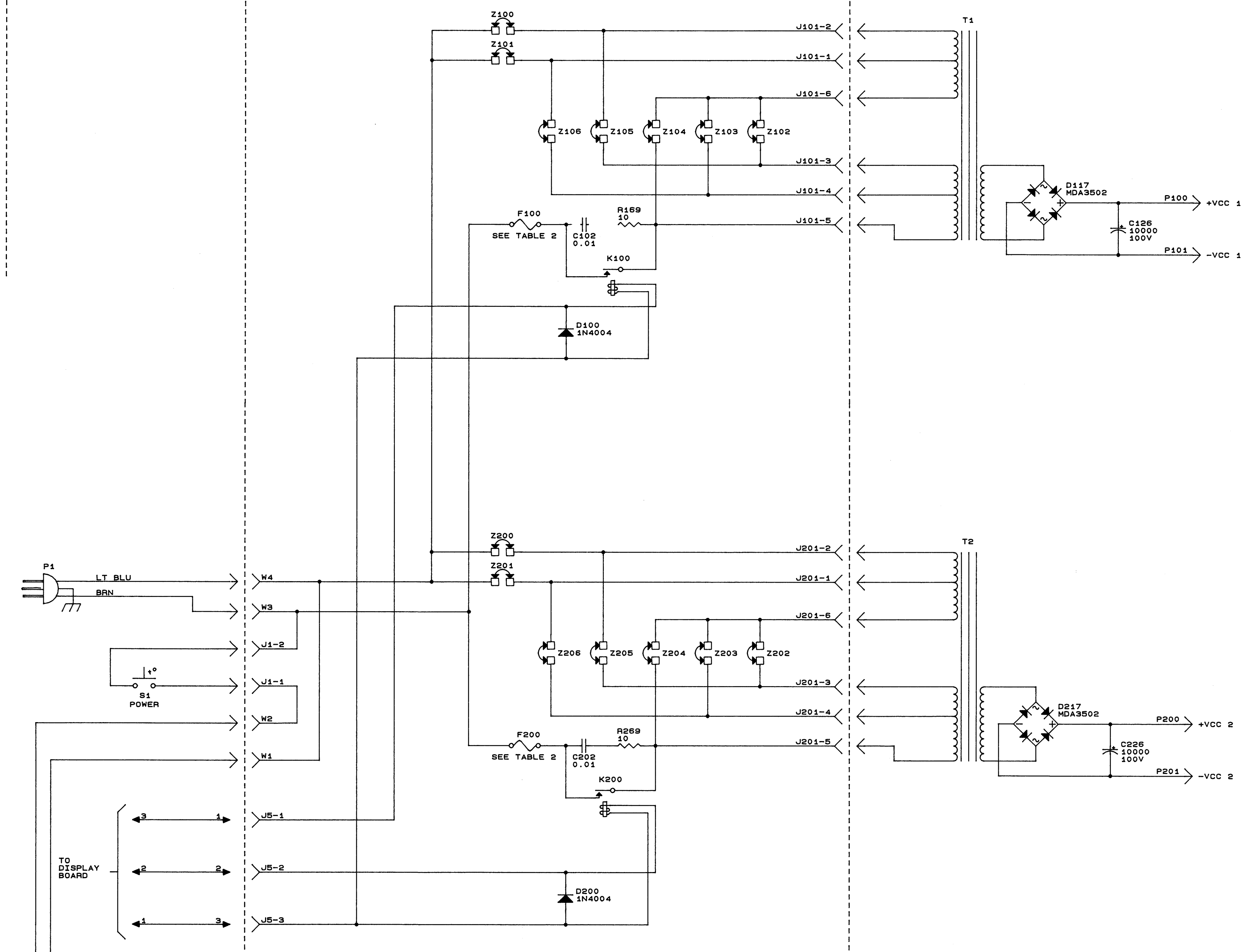
SCHEMATIC; MA-600/601/1200/1201

PRINTS TO		DRAWN		APPROVED BY :		DO NOT SCALE PRINT	
8		LCD	12/09/93	ME			SUPERSEDES J0629-6
		SCALE	NONE	EE			E.C.N.
		PROJ #	D264	PE	JM	12/22/93	C.P.N. SH #2 OF 3
		NEXT ASSEMBLY					J0629-6 (B)

E.C.N.	ZONE	REV	DESCRIPTION	DATE	BY	APPROVALS
						CK ME TEE PE

MA-600/601 MA-1200/1201 INTERNATIONAL POWER SUPPLY

MA FUSE/RELAY BOARD



MAIN BOARD POWER SUPPLY

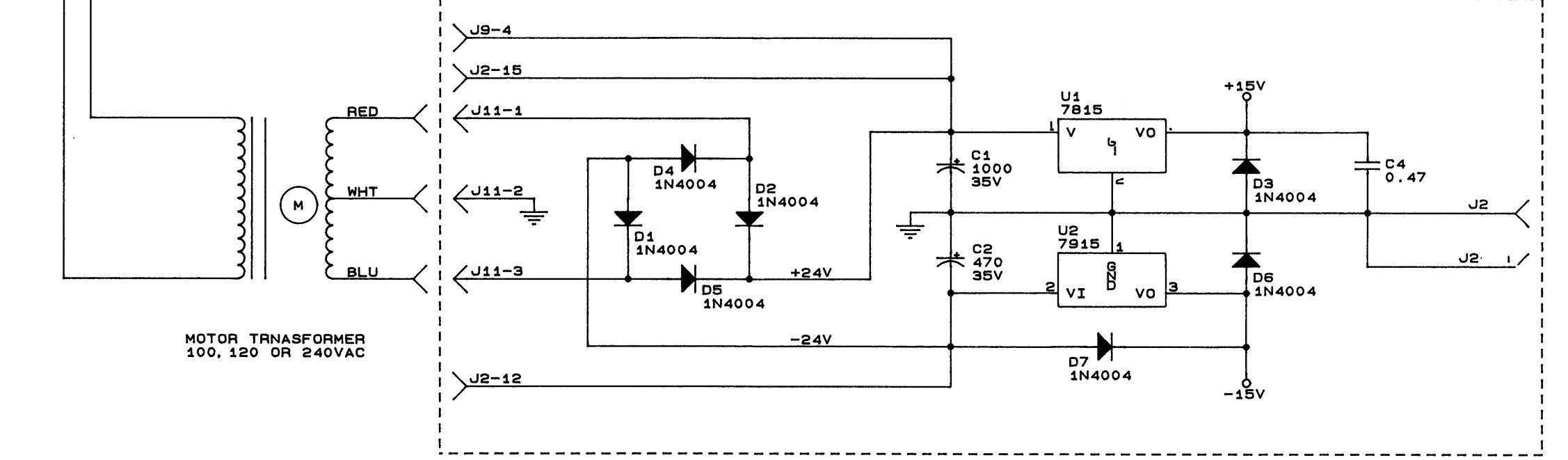


TABLE 1
AC LINE VOLTAGE SELECTION

VOLTAGE	JUMPER INSTALLATION
100V	Z101, Z104, Z106, Z201, Z204, Z206
120V	Z100, Z104, Z105, Z200, Z204, Z205
200V	Z101, Z103, Z201, Z203
220V	Z101, Z102, Z201, Z202
240V	Z100, Z102, Z200, Z202

TABLE 2
FUSE SELECTION

FUSE	MA600 MA601		MA1200 MA1201	
	100V-120V	200V-240V	100V-120V	200V-240V
F100, F200	7A	5A	20A	10A

COMMON

LAST USED	OBSOLETE
C7	C3
D7	
R18	R5, 6, 11-15
S4	
U2	

CHANNEL 1

LAST USED	OBSOLETE
C157	C121, 125, 127, 128, 131, 132, 142, 143
D132	D101-107, 116, 118, 119
N102	N100
Q124	Q104, 111, 114
R199	R100, 169, 172, 178
R921	R900-905
U104	

CHANNEL 2

LAST USED	OBSOLETE
C287	C221, 225, 227, 228, 231, 232, 242, 243
D232	D201-207, 216-219
N202	N200
Q224	Q204, 211, 214
R299	R100, 269, 272, 278
R1021	R1000-1005
U204	

CROWN INTERNATIONAL, INC.
17 6 WEST MIST - A' 104D ELKHART, IN. 4651. -NONE (219) 2 00

SCHMATIC, MA-600/601/1200/1201

PRINTS TO	DRAWN	LCD	12/09/93	APPROVED BY :	D 4 F SCALE PRINT
G	ME				SUPEPRCJES J0629-6
	CHECKED	NONE	CF		C ..N.
	PROJ #	D264	P UM	12/22/93	C.P.N. SHEET 3 OF 3
	NEXT ASSEMBLY				J0629-6

PRINTS TO	SCALE	DATE	BY
G	NONE	12/22/93	UM

