

E.C.N.	ZONE	REV	DESCRIPTION	DATE	BY	APPROVED
JO412-7A		0	REVISIONS PER ECH	11-21-80	RTG	TLG

CONNECTOR CHART

OUTPUT BOARD J700 - J700

- 1 - AMP SENSE
- 2 - CURRENT SENSE
- 3 - VCC
- 4 - VEE
- 5 - CH1 CH+ LS DRIVE
- 6 - CH2 CH+ LS DRIVE
- 7 - CH1 CH- HS FREQ FEEDBK
- 8 - CH2 CH- HS FREQ FEEDBK
- 9 - AMP SENSE
- 10 - VCC

MAIN BOARD J700 - J700

- 1 - CH1 LOW FREQ FEEDBK
- 2 - CH2 LOW FREQ FEEDBK
- 3 - CH2 LOW FREQ FEEDBK
- 4 - GND

DISPLAY BOARD

DISP	INT	MAIN	NO
1	1	1	1
2	2	2	2
3	3	3	3
4	4	4	4
5	5	5	5
6	6	6	6
7	7	7	7
8	8	8	8
9	9	9	9
10	10	10	10
11	11	11	11
12	12	12	12
13	13	13	13
14	14	14	14
15	15	15	15
16	16	16	16
17	17	17	17
18	18	18	18
19	19	19	19
20	20	20	20

CHANNEL 1

LAST USED	OBSOLETE
C159	C102, 121, 125-126, 131, 132, 142, 143
C314	C300, 308-311
C129	D300-307, 314-319
C212	D300-304
L302	
N102	N100
WREN1	WTC90
Q124	Q114
Q318	Q300
R198	R188, 170, 177, 178
R331	R300
W18	
U104	

COMMON

LAST USED	OBSOLETE
C7	C3, 5, 6
C17	
R4	R2, 3, 5, 6, 9, 11-15
S1	
U2	

- NOTES:
1. ALL RESISTORS ARE IN OHMS, 1/4W, 1% UNLESS OTHERWISE SPECIFIED.
 2. ALL CAPACITORS ARE IN MICROFARADS UNLESS OTHERWISE SPECIFIED.
 3. VALUES FOR R175 AND R275 VARY BY MODEL AS FOLLOWS:
COMMON UNITS = 2.87K 1% AND/OR UNITS = 0.24K 1%
 4. CHANNEL 1 SHOWN. FOR CHANNEL 2 ADD 100 TO REFERENCE DESIGNATORS. EXAMPLE: CHANNEL 1 Q101 BECOMES CHANNEL 2 Q201. CONNECTOR AND IC PIN NUMBERS FOR CHANNEL 2 ARE SHOWN IN PARENTHESES WHEN THEY DIFFER FROM CHANNEL 1.
 5. ALL DIODES ARE 1N4148 UNLESS OTHERWISE SPECIFIED.
 6. ON J500 AND J700 THE STRAPE WIRE GOES TO PIN 40 OF THE BOARD AND THE PIN NUMBER SHOWN ON THE LABEL SHOULD BE REFERRED.
 7. STANDARD UNIT HAS RED OPEN. INSTALL LAMP IN BIC TO DISABLE CHANNEL 2 SIGNAL INDICATOR LIGHT IN PARALLEL W/OND MISC.
 8. VCC = +VCC = 70V NO LOAD.
 9. CHANNEL 2 PRE-DRIVER BASES LOOP THROUGH STEREO-MONO SWITCH S4.

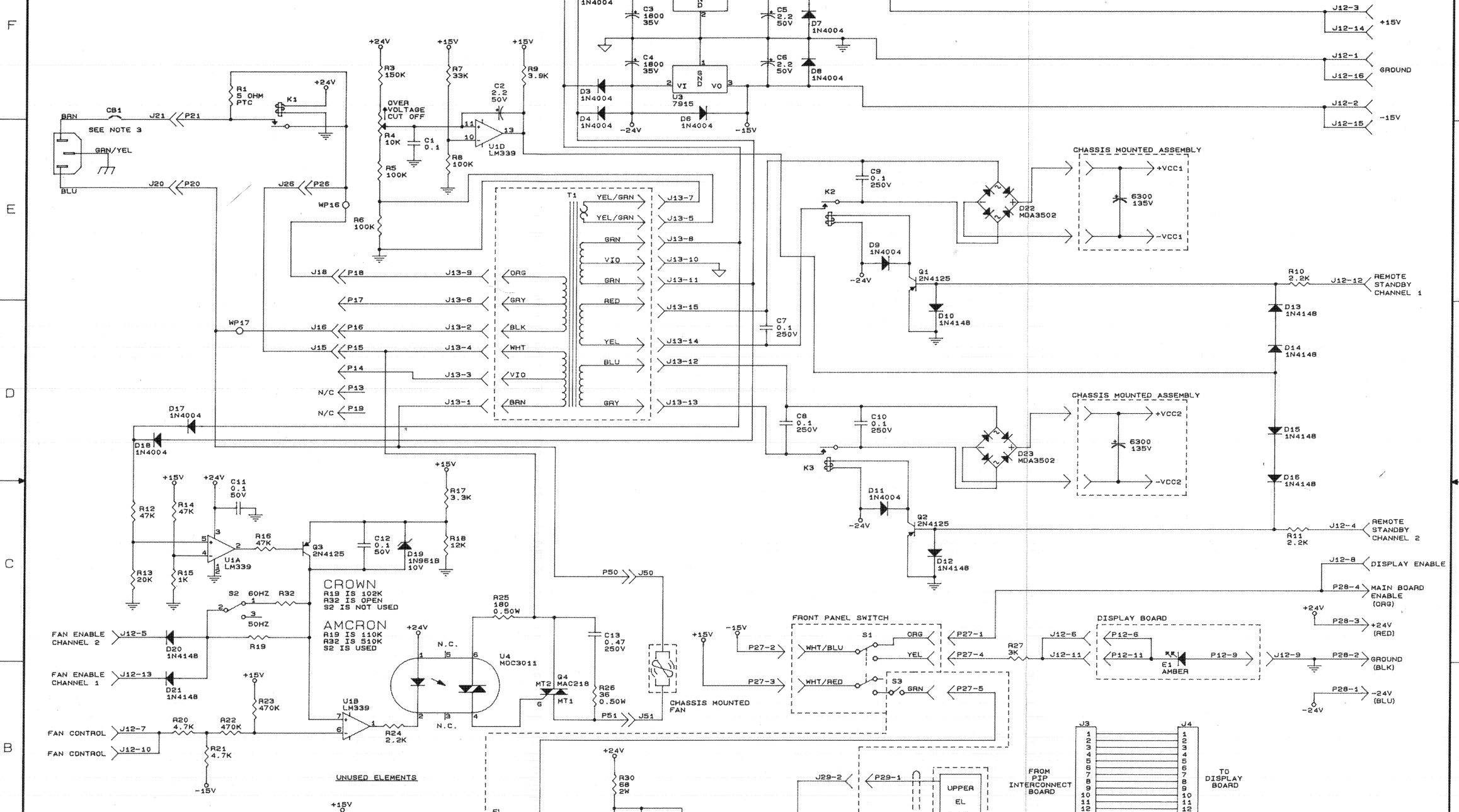
CROWN INTERNATIONAL, INC.
1738 WEST MIDWAY ROAD ELKHART, IN 46517 PHONE (219) 294-0001

SCHEMATIC: MR MAIN

DRAWN	RTS	9-20-80	APPROVED BY	DO NOT SCALE PRINT
CHECKED	JF	10-29-80	HE	SUPPLIES J0390-1 2-5-80
REL FOR TOOLING	BY J-M	DATE 10-29-80	SCALE NONE	E.C.N. JO412-7
REL FOR PROD	BY J-M	DATE 10-29-80	PROJ # 0182	PE J-W 10-29-80 C.P.H.
AMPCHEM				REV

NEXT ASSEMBLY: JO412-7 (A)

E.C.N.	ZONE	REV	DESCRIPTION	DATE	BY	APPROVALS
		0				



LAST USED	OBSOLETE
CB1	
C19	14, 15
D23	
E1	
K3	
G5	
R32	2
S3	
T1	
U4	
WP17	1-15

- NOTES :
1. ALL RESISTORS ARE IN OHMS, 1/4W, 5% UNLESS OTHERWISE SPECIFIED.
 2. ALL CAPACITORS ARE IN MICROFARADS UNLESS OTHERWISE SPECIFIED.
 3. CIRCUIT BREAKER RATINGS:
30 AMP / 100V - 120V
15 AMP / 220V - 240V

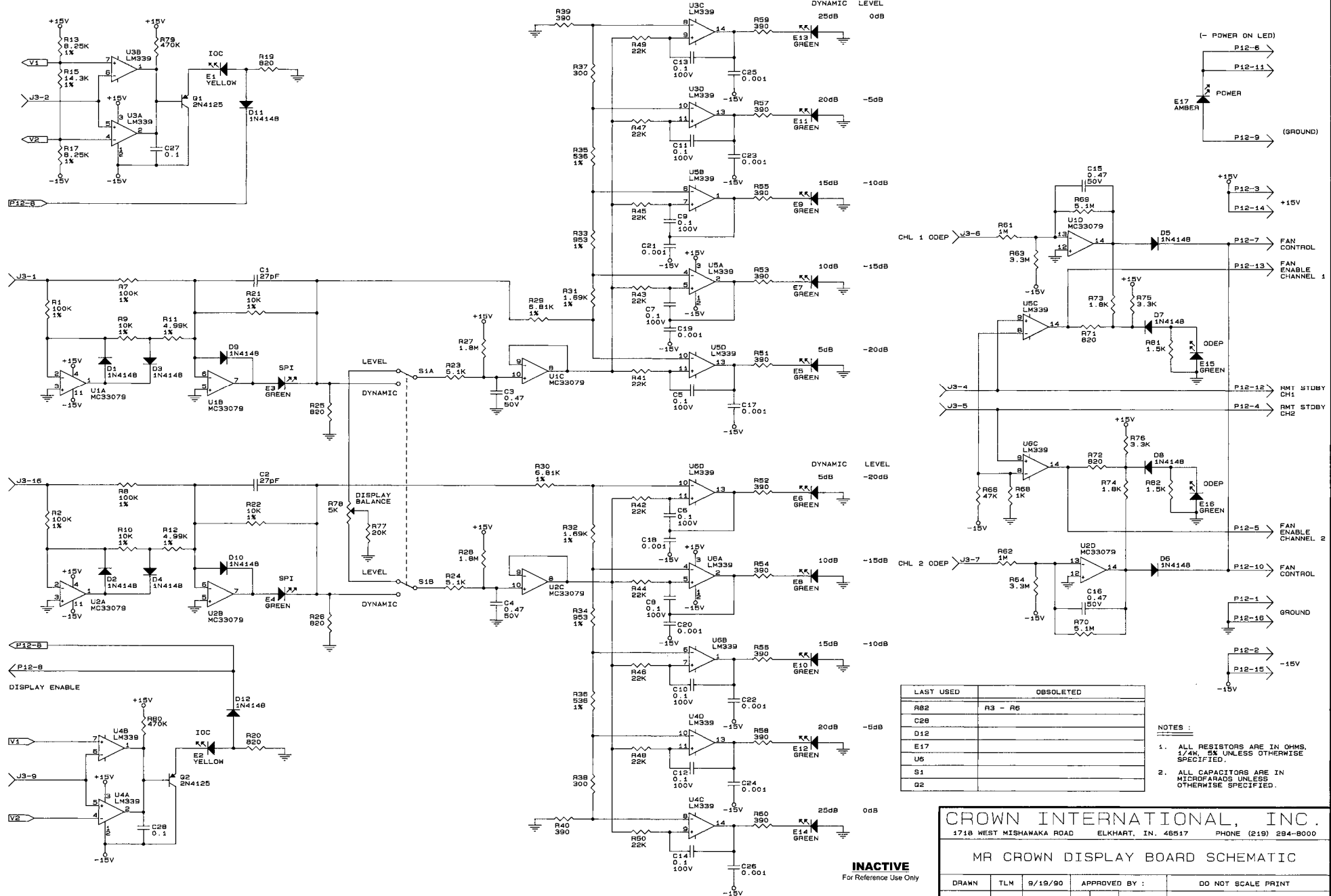
NOT USED ON AMCRON UNITS

CROWN INTERNATIONAL, INC.
1718 WEST MISHAWAKA ROAD ELKHART, IN. 46517 PHONE (219) 294-8000

SCHEM, MR CONTROL THC			
PRINTS TO			
DRAWN	KLW	12-04-92	APPROVED BY :
CHECKED		ME	DO NOT SCALE PRINT
SCALE	NONE	EE	SUPERSEDES
PROJ #	D182	PE	E.C.N.
NEXT ASSEMBLY		RS	C.P.N.
			J0558-7

DATE	BY	APPROVALS

E.C.N.	ZONE	REV	DESCRIPTION	DATE	BY	APPROVALS
						CK ME EE PE



LAST USED	OBSOLETE
R82	R3 - R6
C28	
D12	
E17	
U6	
S1	
Q2	

- NOTES:
- ALL RESISTORS ARE IN OHMS, 1/4W, 5% UNLESS OTHERWISE SPECIFIED.
 - ALL CAPACITORS ARE IN MICROFARADS UNLESS OTHERWISE SPECIFIED.

CROWN INTERNATIONAL, INC.
 1718 WEST MISHAWAKA ROAD ELKHART, IN. 46517 PHONE (219) 294-8000

MR CROWN DISPLAY BOARD SCHEMATIC

DRAWN	TLM	9/19/90	APPROVED BY :	DO NOT SCALE PRINT
CHECKED			ME	SUPERSEDES
SCALE	NONE	EE		E.C.N. 90-618
REL FOR TOOLING BY		DATE		
REL FOR PROD BY	RGG	DATE 11-6-90	PROJ # D182	PE RGG 11-6-90
AMPDESIGN			NEXT ASSEMBLY	C.P.N. J0410-1

INACTIVE
For Reference Use Only