

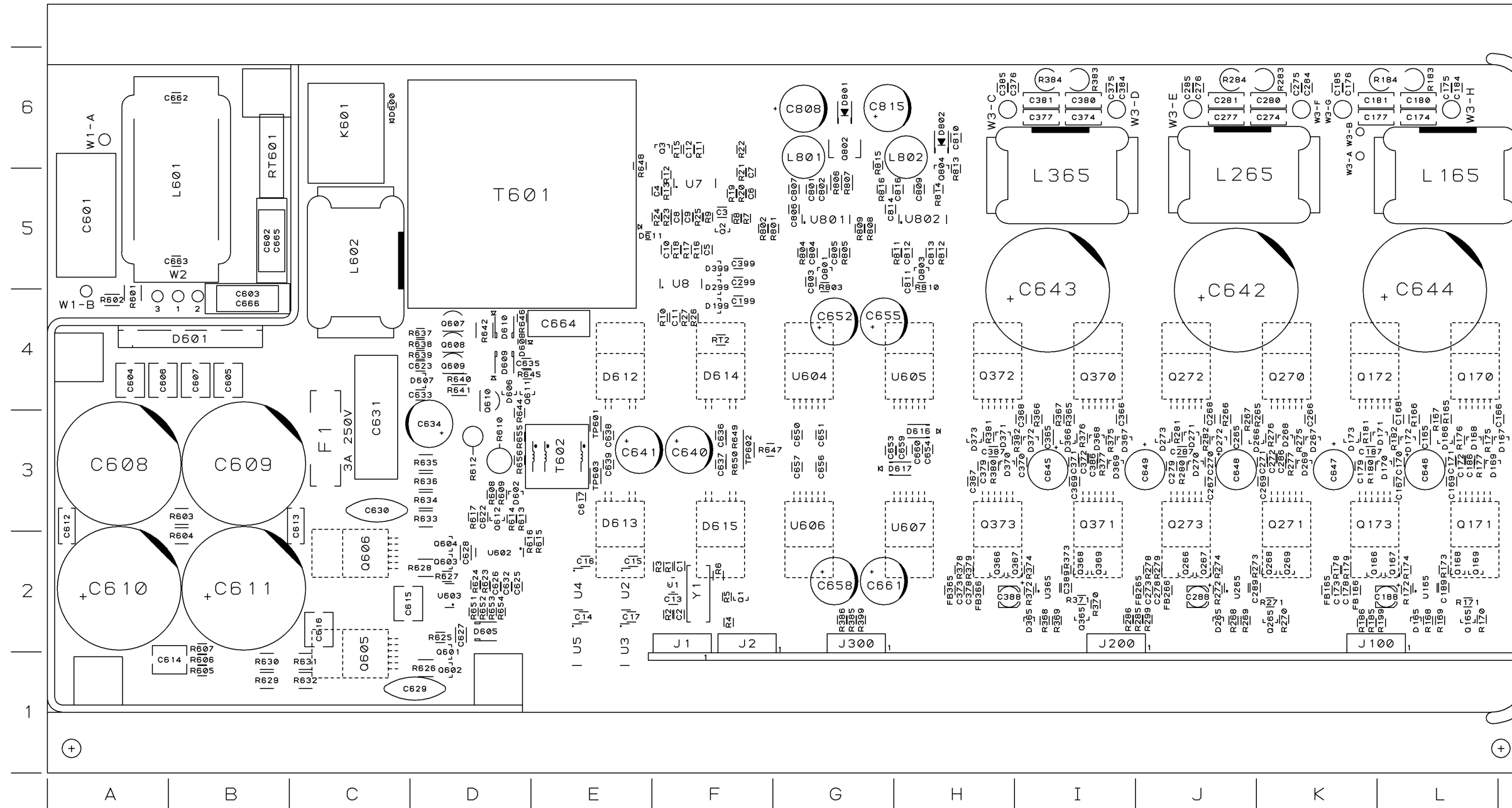
# COMPONENT MAP

## TOP SIDE

### REVISION HISTORY

E. C. N.	ZONE	REV	DESCRIPTION	DATE	APPROVED		
					DWN	CM	PE
		2	INITIAL RELEASE FOR PRODUCTION.	12-06-05	KLW		EB
		3	SEE 138977-1_3.XLS FOR COMPONENT DATA AND REVISION HISTORY.	12-30-05	KLW		EB
		4	SEE 138977-1_4.XLS FOR COMPONENT DATA AND REVISION HISTORY.	03-17-06	KLW		EB


7



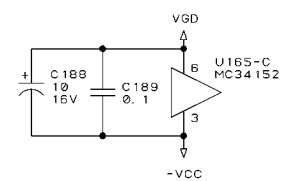
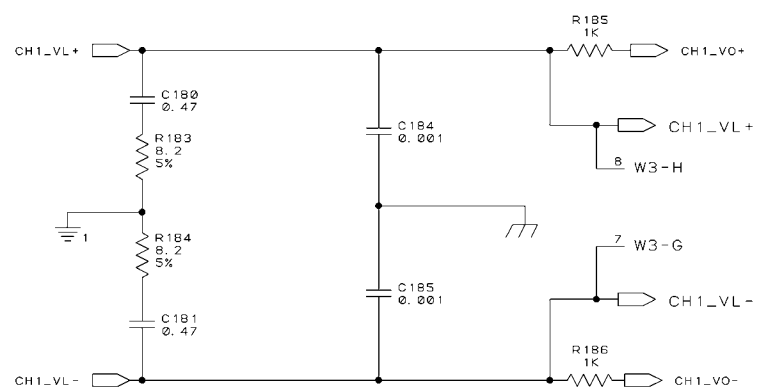
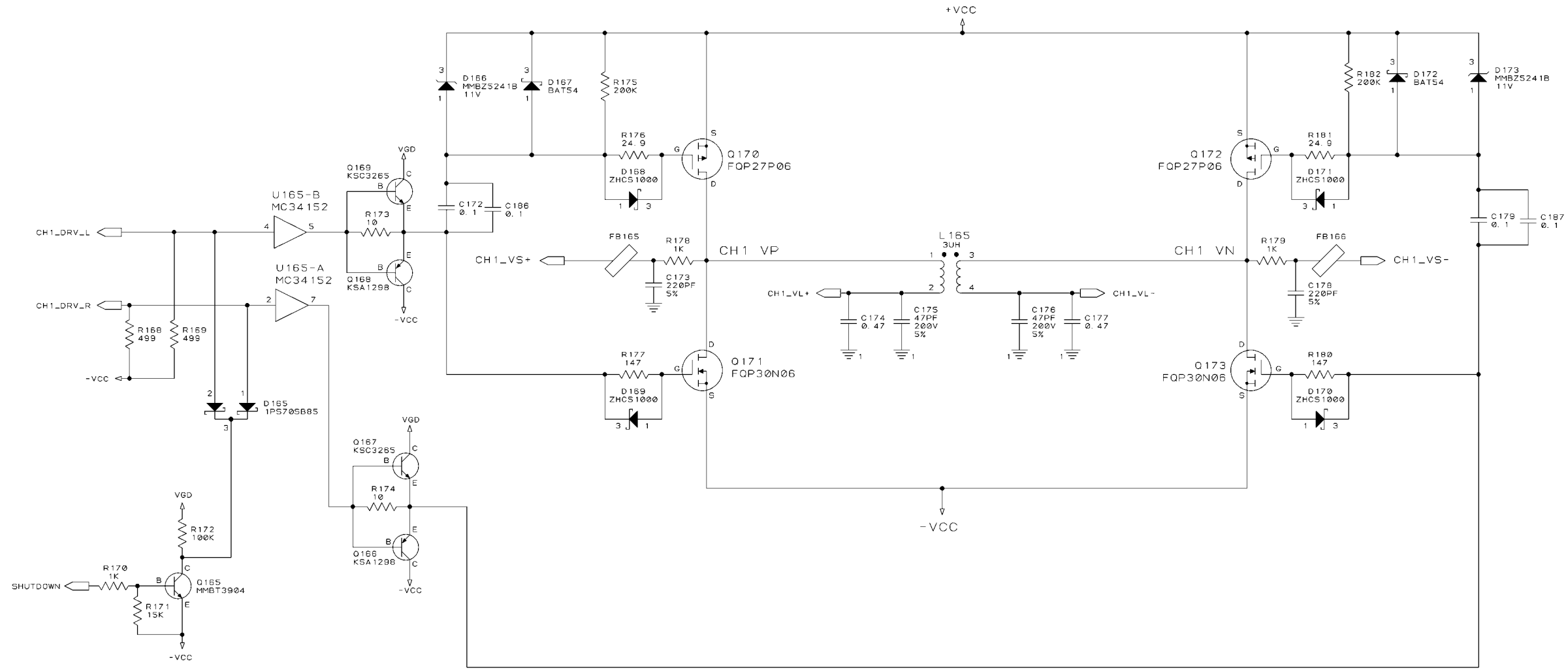
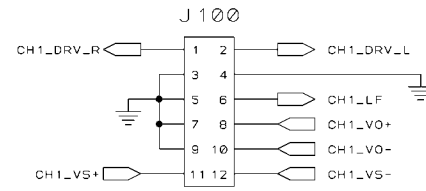
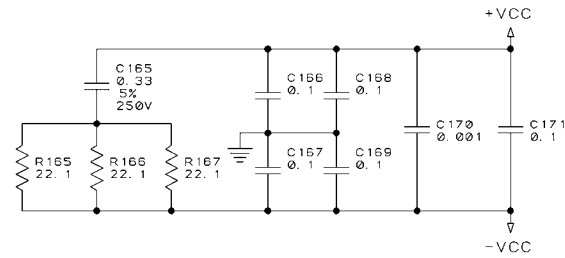
ALL T0220  
PACKAGES  
ARE MOUNTED  
TO THE BOTTOM  
OF THE BOARD

**UNCONTROLLED**  
UNLESS OTHERWISE MARKED IN RED INK BY CM AS A CONTROLLED COPY, COPIES OF THESE DOCUMENTS INCLUDING ASSOCIATED ELECTRONIC REPRODUCTIONS ARE FOR REFERENCE ONLY.

THESE DRAWINGS AND SPECIFICATIONS ARE THE PROPERTY OF CROWN INTERNATIONAL, INC. AND SHALL NOT BE REPRODUCED, COPIED, OR USED AS THE BASIS FOR THE MANUFACTURE OR SALE OF APPARATUS OR DEVICES WITHOUT PERMISSION.

DISTRIBUTION	DWN	KLW	12-06-05	 1718 W. MISHAWAKA RD. ELKHART IN, 46517 PHONE 574-294-8000 WWW.CROWNAUDIO.COM
FILENAME	CM	EB	12-06-05	
138977-1_4_01.PCB	PE	EB	12-06-05	TITLE
TOLERANCE UNLESS OTHERWISE SPECIFIED				PWA, FR1 MAIN
.00 = ±.02"				SIZE DWG NO.
.000 = ±.010"				B 138977-1
DRILLS = ±.003"				REV
DO NOT SCALE DRAWING				4
	SCALE NONE	PROJ NO. MAMPJ00	SHEET 1 OF 6	

POWER SUPPLY FILTERING



CH1 OUTPUT

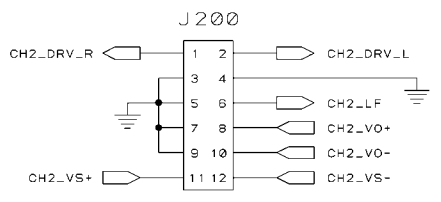
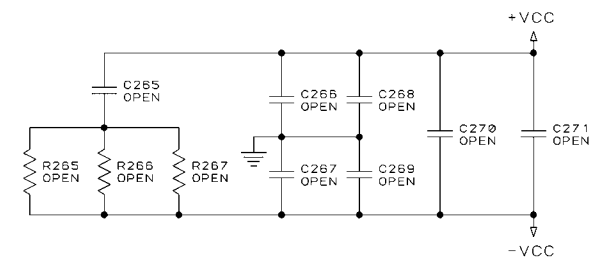
UNCONTROLLED UNLESS OTHERWISE MARKED IN RED INK BY CM AS A CONTROLLED COPY, COPIES OF THESE DOCUMENTS INCLUDING ASSOCIATED ELECTRONIC REPRODUCTIONS ARE FOR REFERENCE ONLY.		THESE DRAWINGS AND SPECIFICATIONS ARE THE PROPERTY OF CROWN INTERNATIONAL, INC. AND SHALL NOT BE REPRODUCED, COPIED, OR USED AS THE BASIS FOR THE MANUFACTURE OR SALE OF APPARATUS OR DEVICES WITHOUT PERMISSION.		SIZE C	DWG NO. 138977-1	REV 4
SCALE NONE	PROJ NO. MRX500P	SHEET 2 OF 6				

4

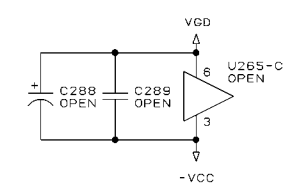
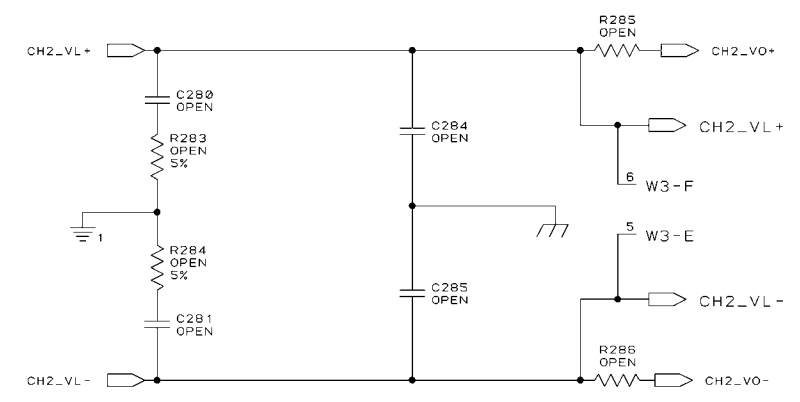
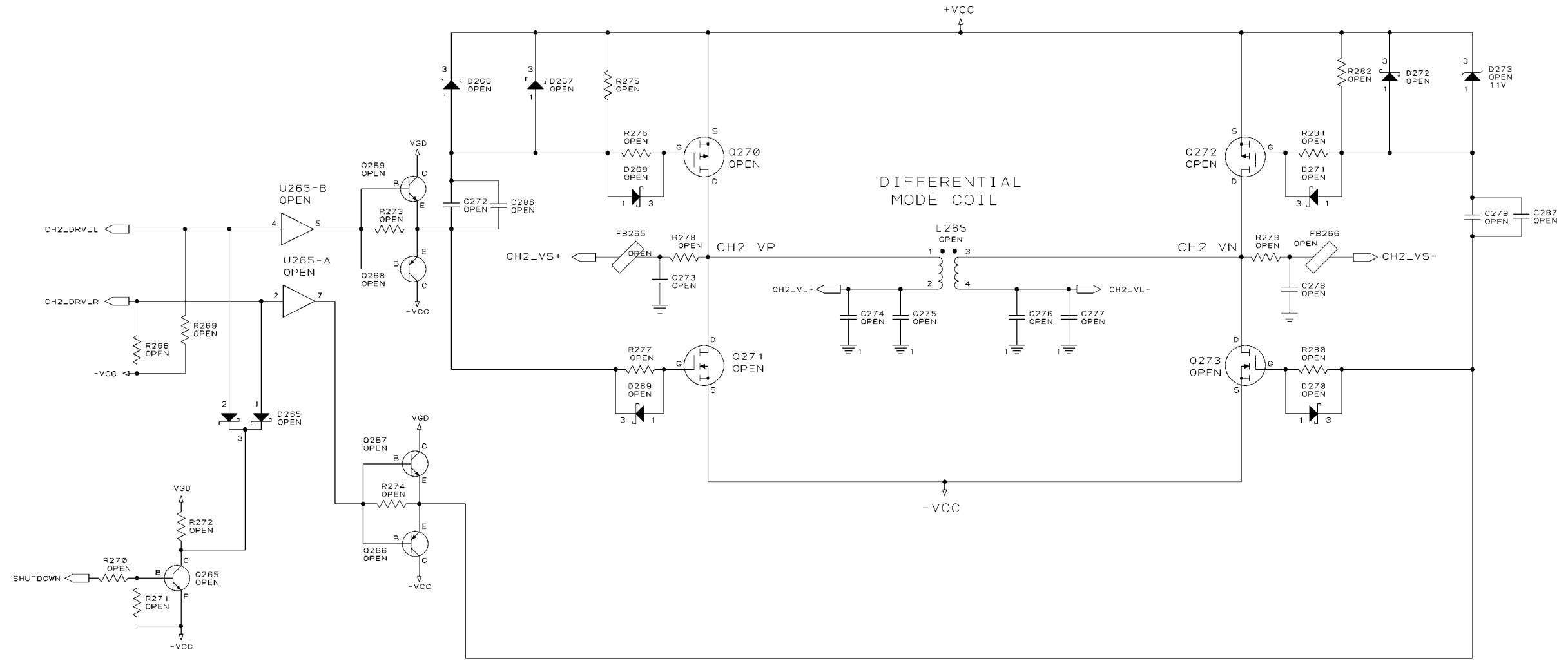
3

2

POWER SUPPLY FILTERING



DIFFERENTIAL MODE COIL



CH2 OUTPUT

UNCONTROLLED UNLESS OTHERWISE MARKED IN RED INK BY CM AS A CONTROLLED COPY, COPIES OF THESE DOCUMENTS INCLUDING ASSOCIATED ELECTRONIC REPRODUCTIONS ARE FOR REFERENCE ONLY.		THESE DRAWINGS AND SPECIFICATIONS ARE THE PROPERTY OF CROWN INTERNATIONAL, INC. AND SHALL NOT BE REPRODUCED, COPIED, OR USED AS THE BASIS FOR THE MANUFACTURE OR SALE OF APPARATUS OR DEVICES WITHOUT PERMISSION.		SIZE C	DWG NO. 138977-1	REV 4
SCALE NONE	PROJ NO. MRX500P	SHEET 3 OF 6				

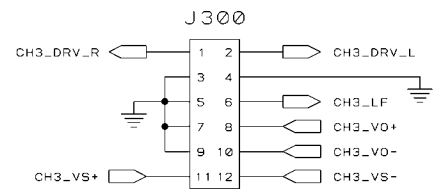
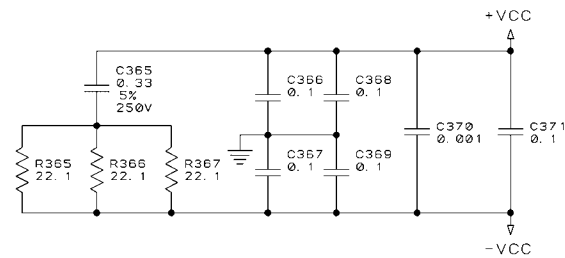
4

3

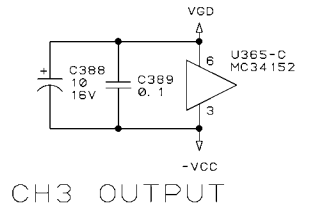
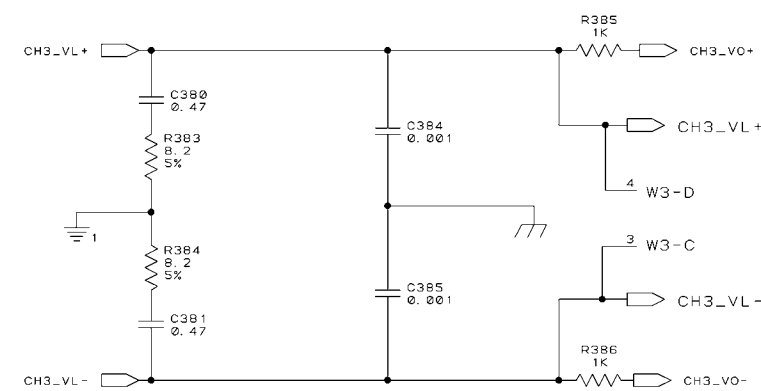
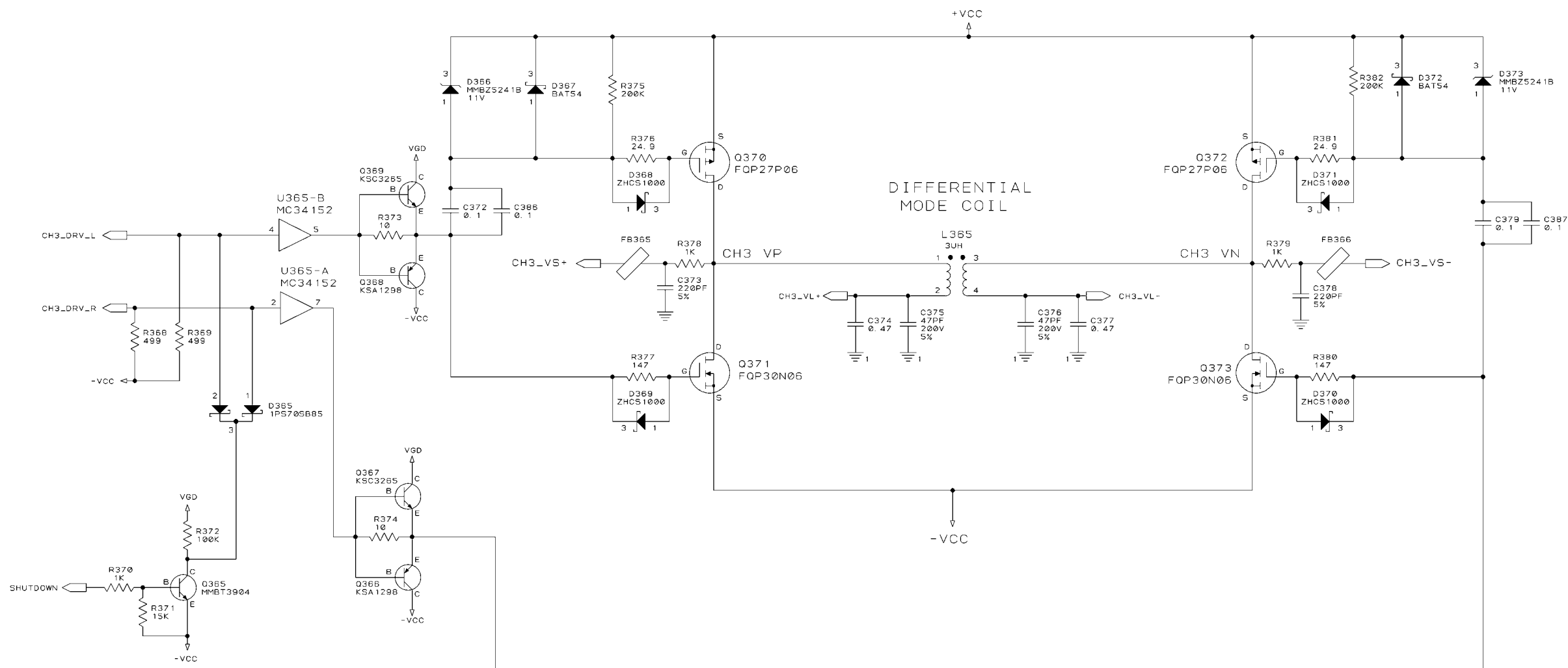
2

1

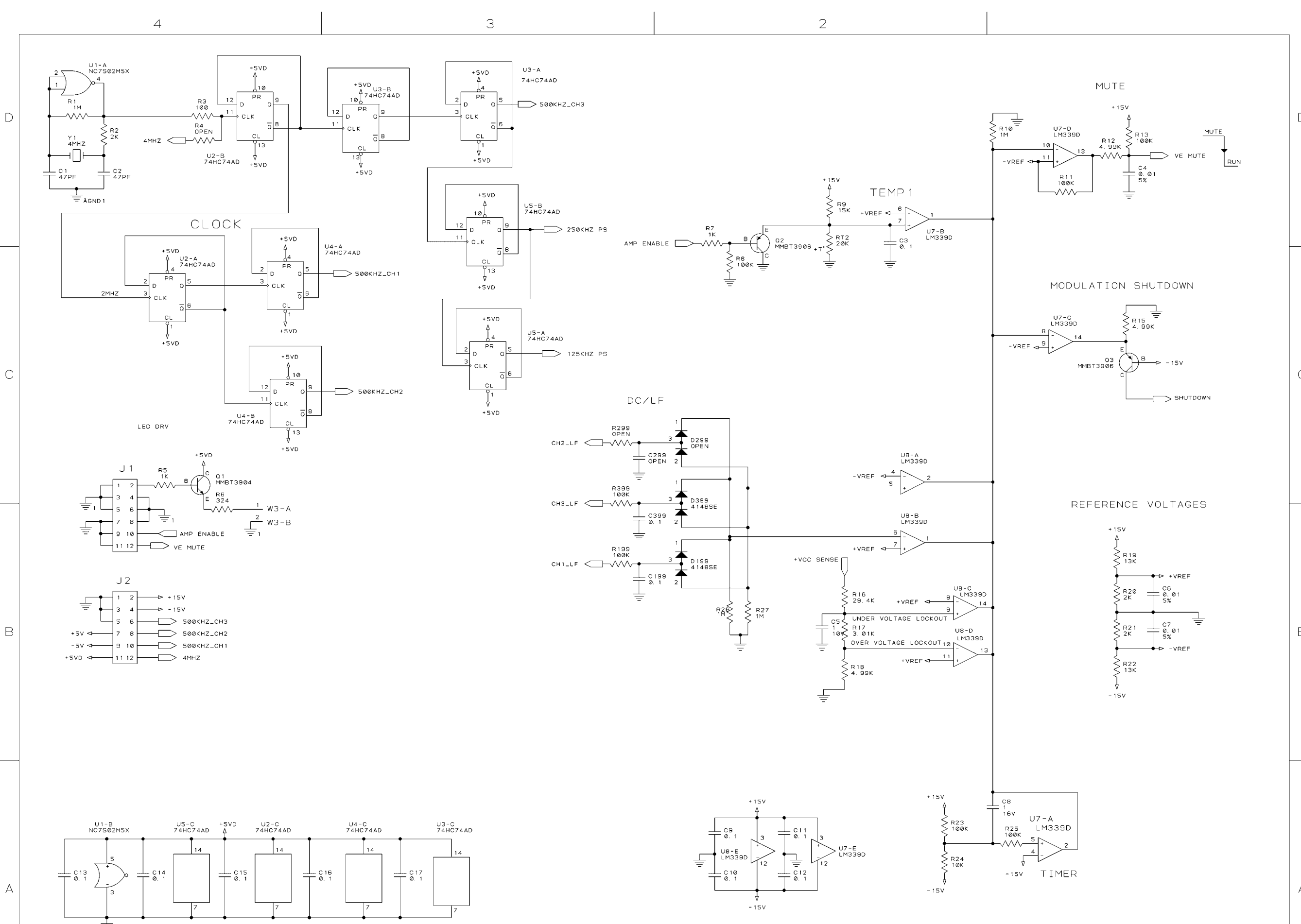
POWER SUPPLY FILTERING



DIFFERENTIAL MODE COIL

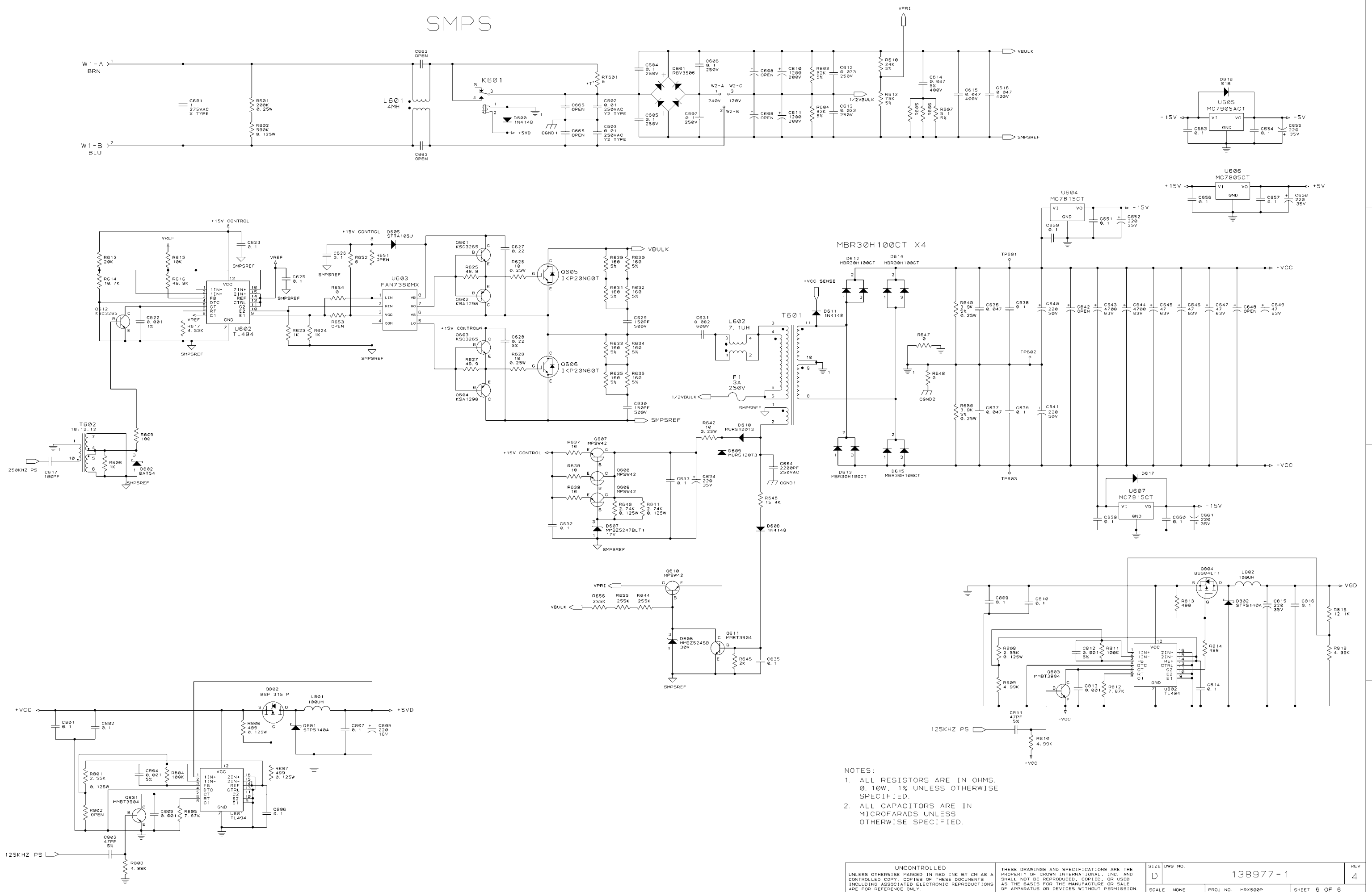


UNCONTROLLED UNLESS OTHERWISE MARKED IN RED INK BY CM AS A CONTROLLED COPY, COPIES OF THESE DOCUMENTS INCLUDING ASSOCIATED ELECTRONIC REPRODUCTIONS ARE FOR REFERENCE ONLY.		THESE DRAWINGS AND SPECIFICATIONS ARE THE PROPERTY OF CROWN INTERNATIONAL, INC. AND SHALL NOT BE REPRODUCED, COPIED, OR USED AS THE BASIS FOR THE MANUFACTURE OR SALE OF APPARATUS OR DEVICES WITHOUT PERMISSION.		SIZE C	DWG NO. 138977-1	REV 4
SCALE NONE		PROJ NO. MRX500P		SHEET 4 OF 6		



UNCONTROLLED UNLESS OTHERWISE MARKED IN RED INK BY CM AS A CONTROLLED COPY, COPIES OF THESE DOCUMENTS INCLUDING ASSOCIATED ELECTRONIC REPRODUCTIONS ARE FOR REFERENCE ONLY.		THESE DRAWINGS AND SPECIFICATIONS ARE THE PROPERTY OF CROWN INTERNATIONAL, INC. AND SHALL NOT BE REPRODUCED, COPIED, OR USED AS THE BASIS FOR THE MANUFACTURE OR SALE OF APPARATUS OR DEVICES WITHOUT PERMISSION.		SIZE C	DWG NO. 138977-1	REV 4
SCALE NONE		PROJ. NO. MRX500P		SHEET 5 OF 6		

# SMPS



- NOTES:
1. ALL RESISTORS ARE IN OHMS. 0.10W, 1% UNLESS OTHERWISE SPECIFIED.
  2. ALL CAPACITORS ARE IN MICROFARADS UNLESS OTHERWISE SPECIFIED.