

Fig. 6.8 Main Module #2 Schematic

- CIRCUIT SHOWN USED WITH:
- SA2 SN11252 AND ABOVE
 - PSA-2(X) SN11416 ABOVE
 - PSA-2D SN308 AND ABOVE
 - D300 AND D400 ARE THERMALLY JOINED TO Q300
 - AND Q400
 - R309 AND R408 ARE SELECTED TO MATCH GRADE OF U300 AND U400

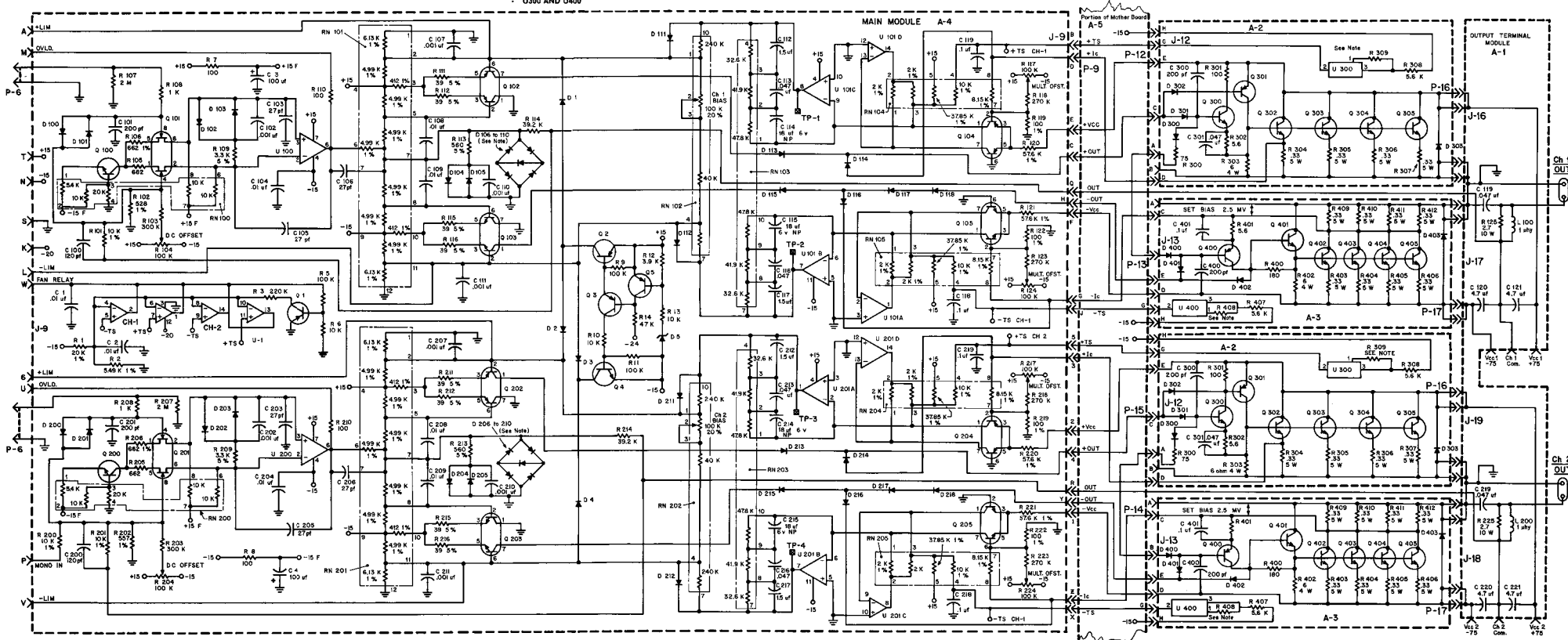
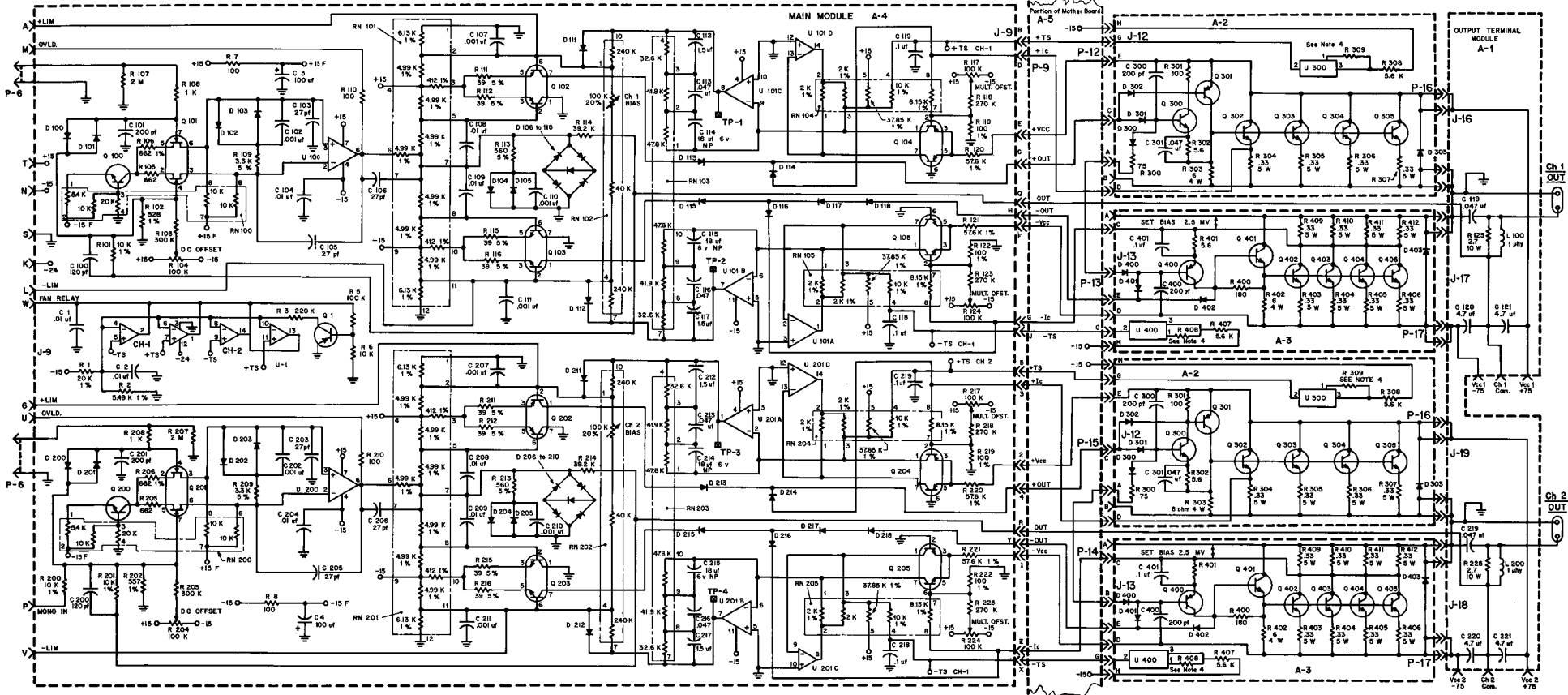
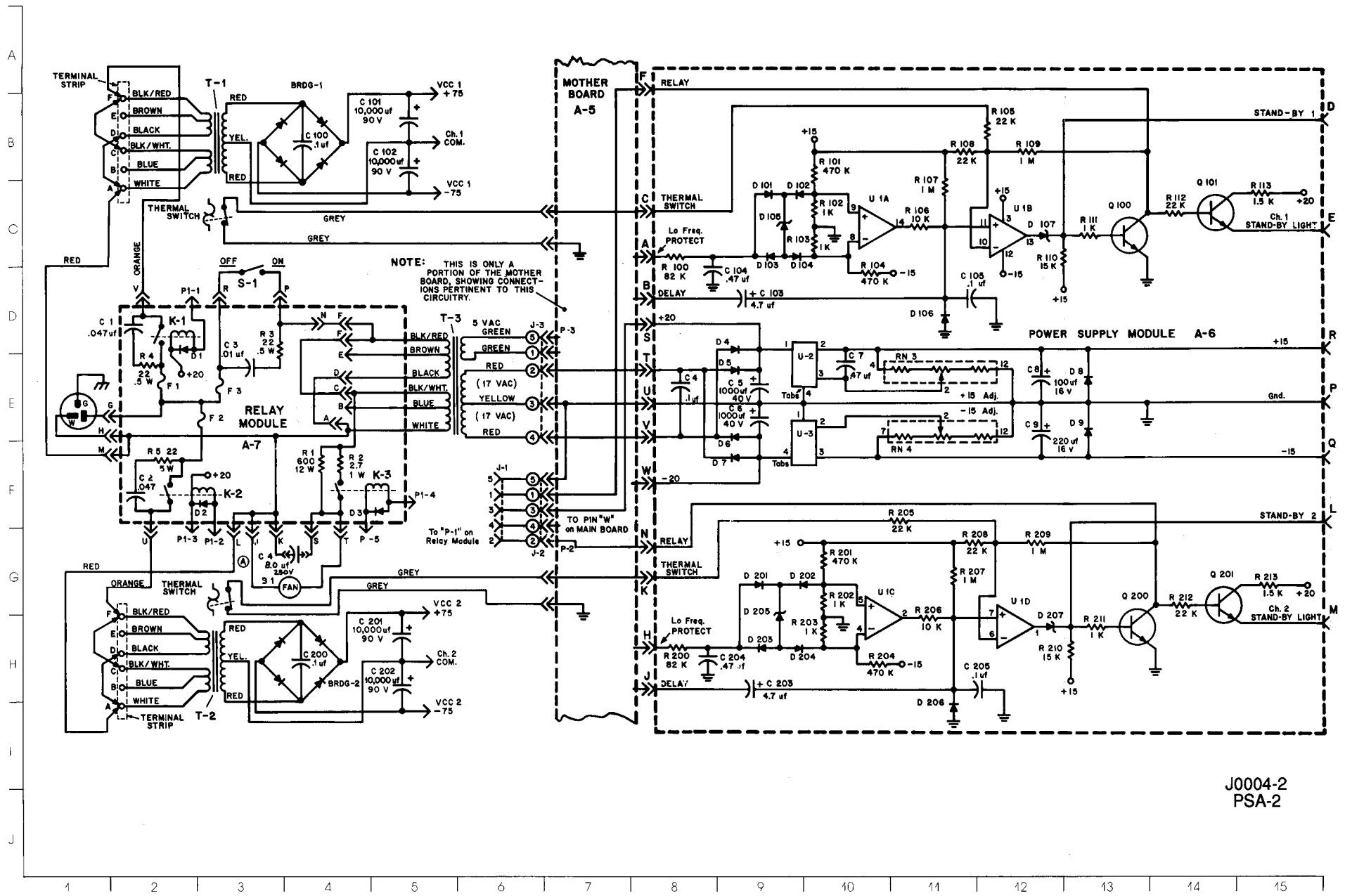


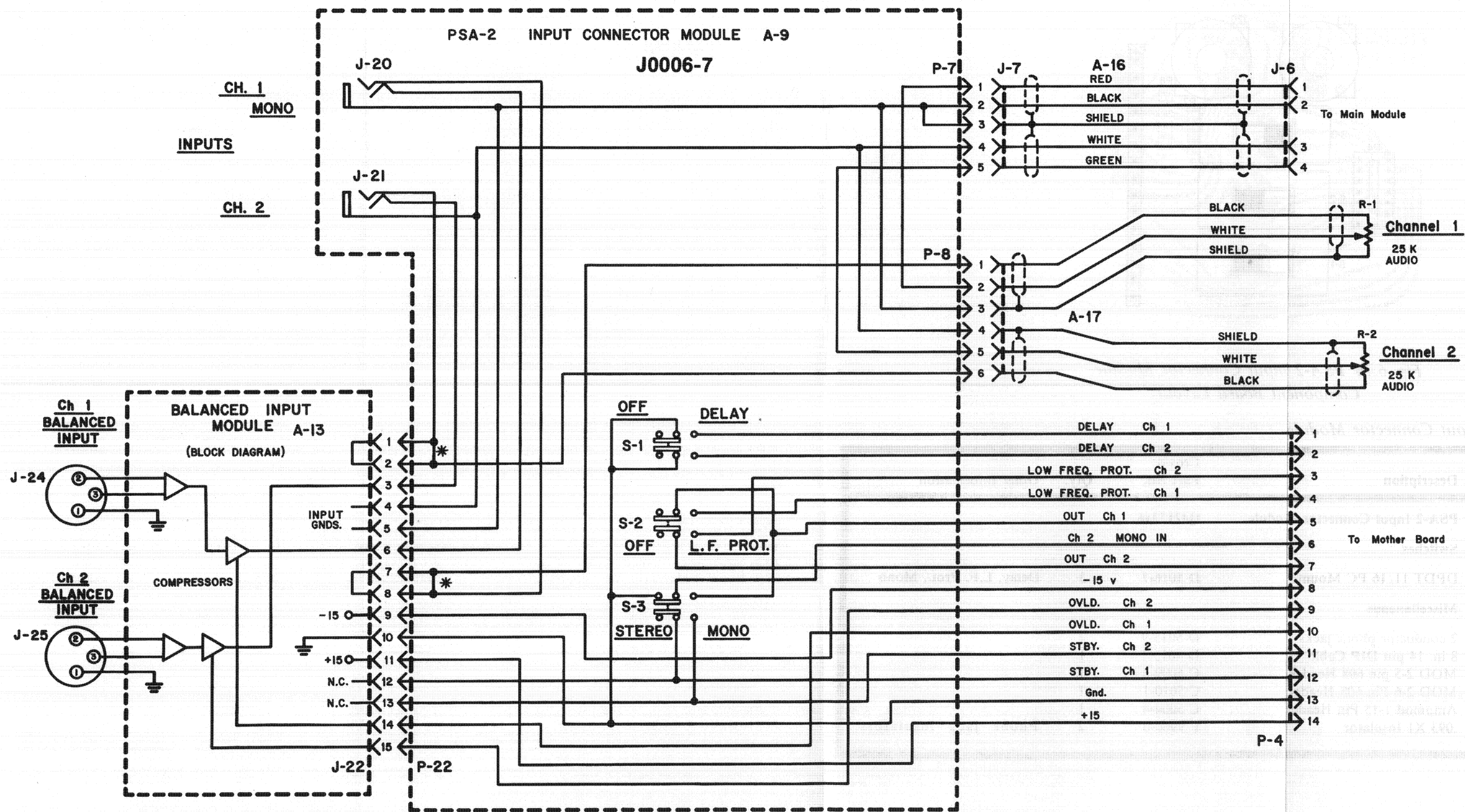
Fig. 6.7 Main Module #1 Schematic



MAIN MODULE
 Q309 AND Q408 ARE THERMALLY JOINED TO Q308 AND Q408.
 MODEL PSA-210(S)11415 AND BELOW
 R309 AND R408 ARE SELECTED TO MATCH GRADE OF Q309 AND Q408.
 MODEL PSA-210X(S)11415 AND BELOW



J0004-2
PSA-2



INPUT CONNECTOR MODULE

- DELAY, LOW FREQUENCY PROTECT AND STEREO-MONO SWITCH SHOWN INACTIVE.

USED WITH;

- MODEL PSA-2(X) SN9989 AND ABOVE
- MODEL PSA-2DX SN226 AND ABOVE

Fig. 6.15 PSA-2 Input Connector Module Schematic

DISPLAY

- CONNECTIONS THROUGH J11. PIN NUMBERS ARE SHOWN.
- D113 AND D213 OMITTED FROM EARLY UNITS -- MAY BE RETROFITTED TO PREVENT SIGNAL FROM FALSE TRIGGERING IOC.

USED WITH;
 MODEL PSA-2(X) SN9989 AND ABOVE
 MODEL PSA-2DX SN226 AND ABOVE

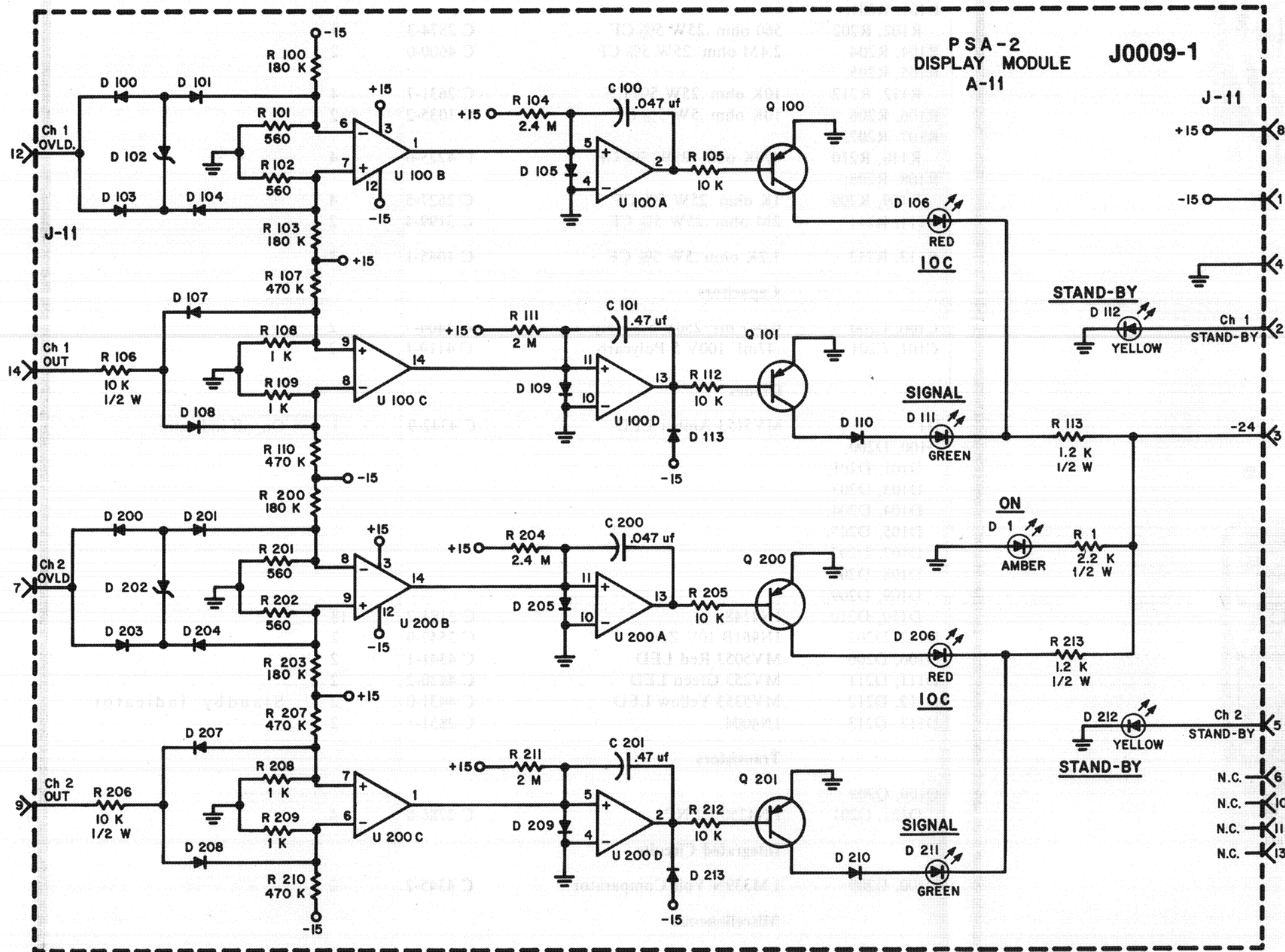
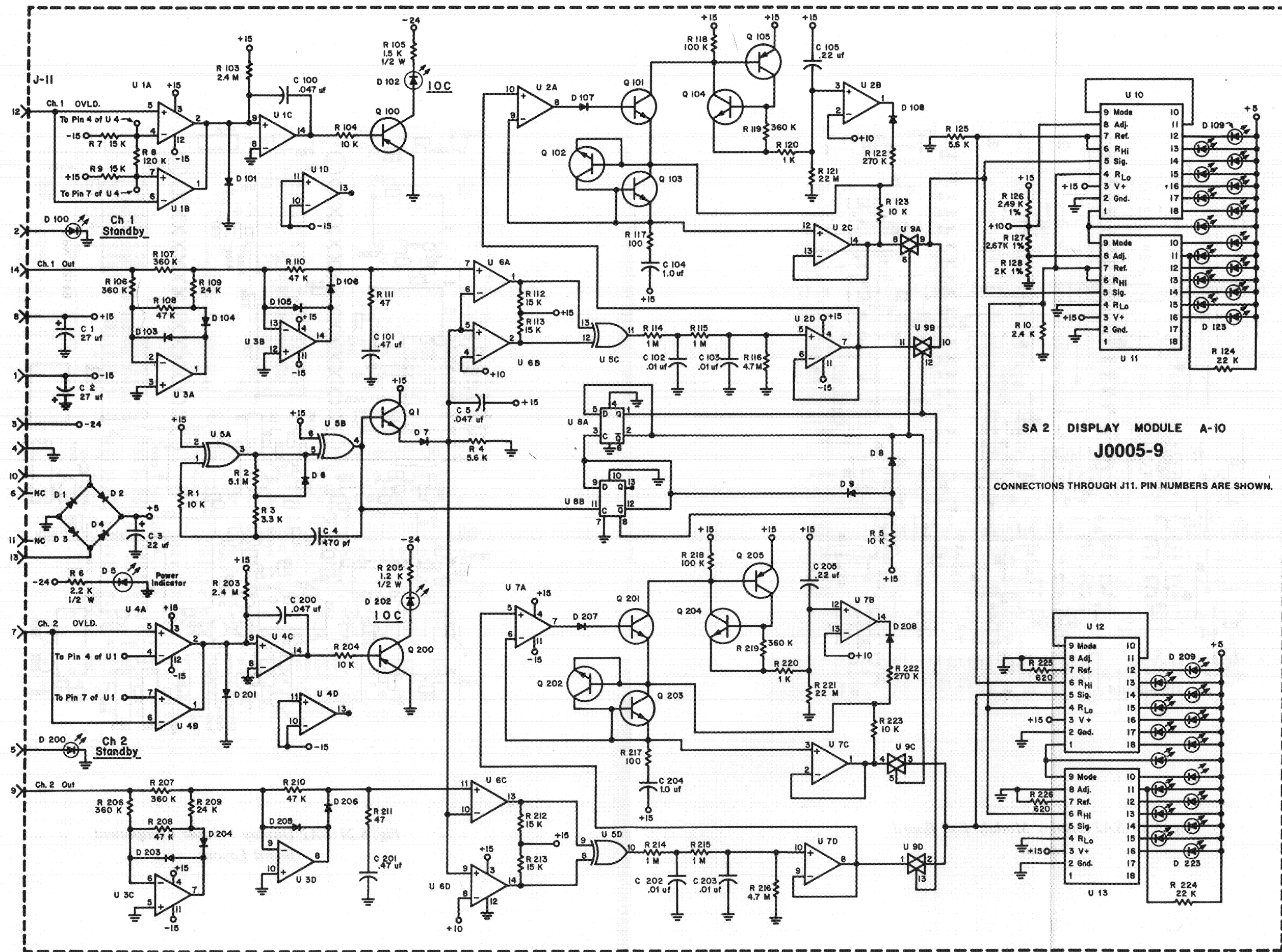


Fig. 6.19 PSA-2 Display Module Schematic



USED WITH MODEL SA2 SN111947 AND ABOVE

Fig. 6.22 SA2 Display Module Schematic

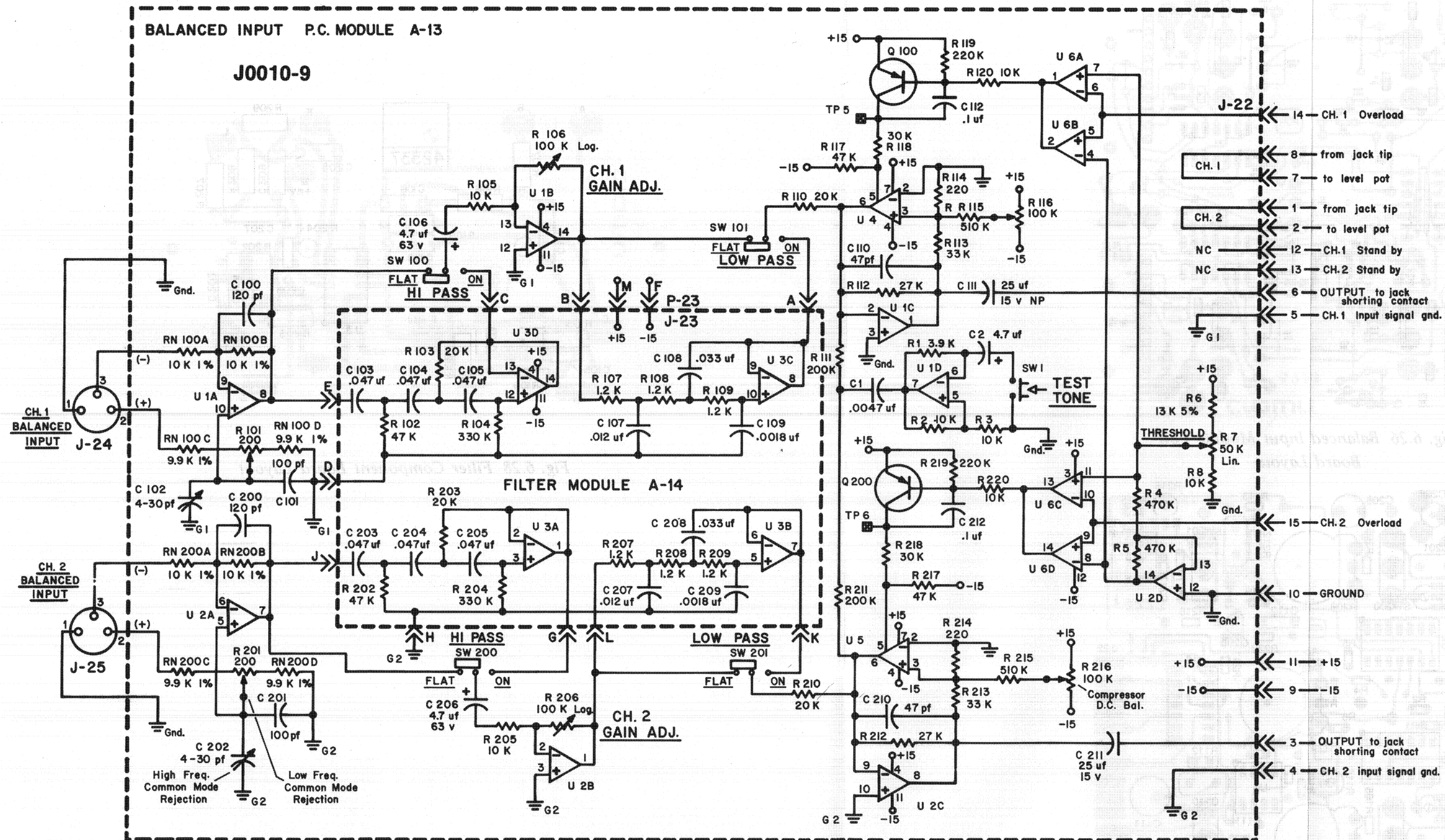


Fig. 6.25 PSA-2 Balanced Input Module/
Filter Board Schematic