

(M) MODEL DEPENDENT PARTS

COMPONENTS	POWER TECH	
	I	II
R303, R304, R306, R307, R315, R317, R319, R320	0.33	0.2
R175	14.7K	11.0K
R177	49.9K	30.9K
R124, R127, R136, R138	11K	6.8K
R123, R134	18K	12K
R154, R163, R165	200K	121K
R145, R166	1.8M	2.7M

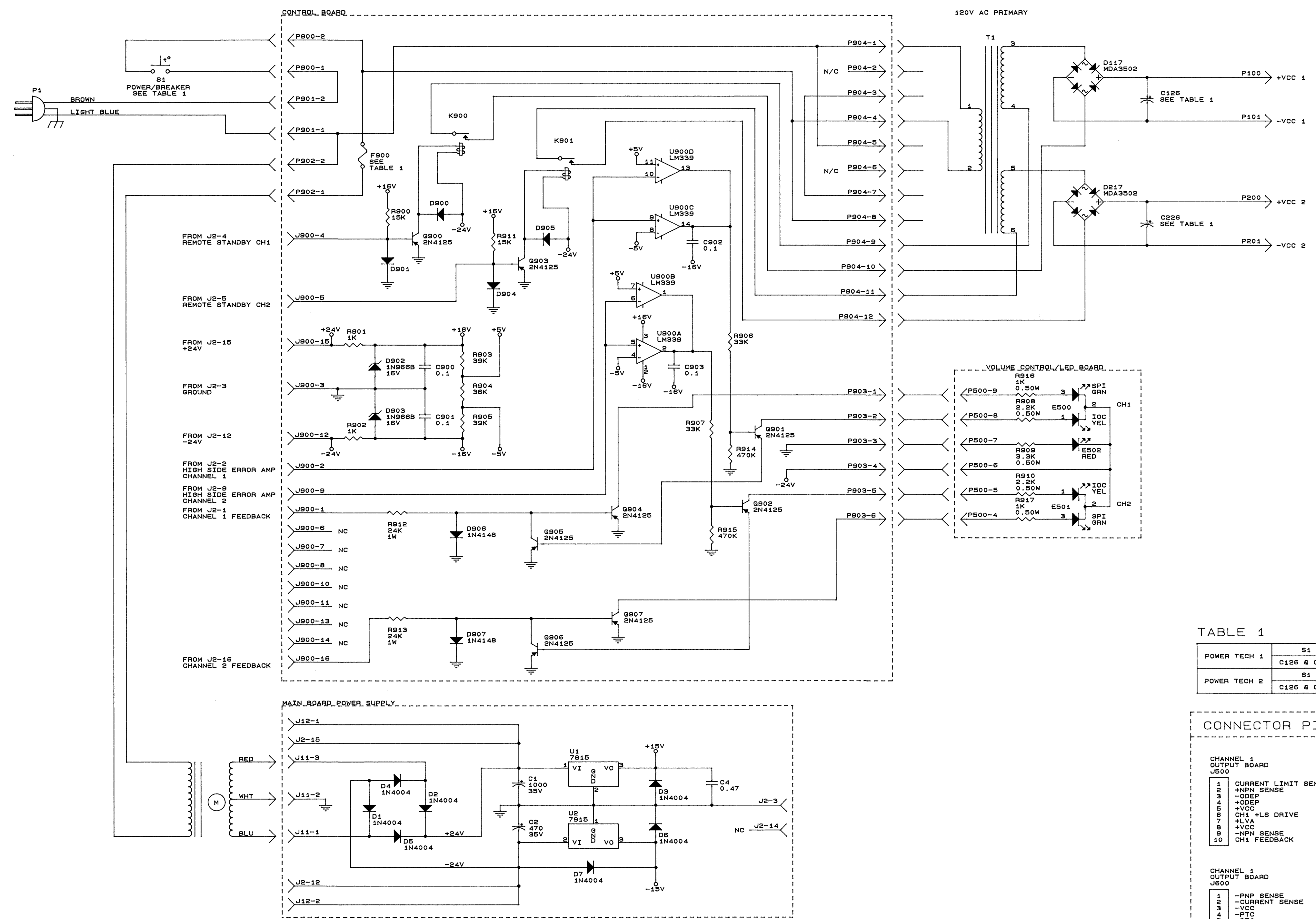
- NOTES:
- ALL RESISTORS ARE IN OHMS, 1/4W, 5% UNLESS OTHERWISE SPECIFIED.
  - ALL CAPACITORS ARE IN MICROFARADS UNLESS OTHERWISE SPECIFIED.
  - CHANNEL 1 SHOWN. FOR CHANNEL 2 ADD 100 TO REFERENCE DESIGNATORS. (EXAMPLE: CHANNEL 1 R101 WOULD BE CHANNEL 2 R201). CONNECTOR AND TC PIN NUMBERS FOR CHANNEL 2 ARE SHOWN IN PARENTHESIS WHEN THEY DIFFER FROM CHANNEL 1.
  - ALL DIODES ARE 1N4148 UNLESS OTHERWISE SPECIFIED.
  - ON J500 AND J700 THE STRIPED WIRE GOES TO PIN 10 OF THE BOARD AND THE PIN NUMBERS MOLDED ON THE CABLE SOCKET ARE REVERSED FROM THE PIN NUMBERS ON THE BOARD AND THE SCHEMATIC.
  - STANDARD UNIT HAS R10 OPEN. INSTALL JUMPER IN R10 TO DISABLE CHANNEL 2 SIGNAL INDICATOR LIGHT IN PARALLEL MONO MODE.
  - POWER SUPPLY VOLTAGES SHOWN UNDER NO LOAD CONDITION.
  - CHANNEL 2 PRE-DRIVER BASES LOOP THROUGH STEREO-MONO SWITCH S4, SECTIONS E AND F.
  - THIS SCHEMATIC (REVISION C) APPLIES TO:
    - MAIN BOARD D7993-5 / G43056-3 FOR POWER TECH 1
    - OUTPUT BOARD P10341-9 / G42963-1 FOR POWER TECH 1
    - MAIN BOARD D7993-5 / G43055-5 FOR POWER TECH 2
    - OUTPUT BOARD P10341-9 / G42964-9 FOR POWER TECH 2

CROWN INTERNATIONAL, INC.  
 1718 WEST WISHAKA ROAD ELKHART, IN. 46517 PHONE (219) 294-8000

SCHEMATIC; PT-1/PT-2 120V 60HZ

PRINTS TO	DRAWN	LCD	7/9/91	APPROVED BY :	DO NOT SCALE PRINT
G.	CHECKED			ME	SUPERSEDES J0467-1 REV.B
	SCALE	NONE	EE		E.C.N.
	PROJ #	D267	PE TS	9-24-91	C.P.N. SHEET 1 OF 2
	NEXT ASSEMBLY				J0467-1

EAT #	ZONE	REV	DESCRIPTION	DATE	BY	APPROVALS			
						CK	MR	LEE	PE
		A	REVERSE THE PLACEMENT OF POWER CORD AND POWER BREAKER	2-4-92	LCD				WJ
H1, H2, E1, E2		B	R147, 149, 247, 249 WERE 100 R146, 151, 246, 251 WERE 12K	5/13/92	LCD				TS
H9, H10, F2, F4, C7, D7, H9, H10, B9, D9, B10		C	DELETE N100 AND N200 R908-908, 1006-1008 WERE 150K L300, 400 WERE 1.8UH ADD D114, 115, 214, 215 ADD R817-821, 1017-1021 ADD TP1-1 THRU TP1-5	10/09/92	LCD				TS
		D	REVISED VALUES R103 AND R203 WERE 0.50W, R154, R160, R163-R165, AND R173 WERE 1%, R254, R260, R263-R265, AND R273 WERE 1%, R312, R314, R333-R340 WERE 1% SW.	07-21-93	KLW				TS
94-154		E	R119 AND R219 WERE 300 OHM.	07-21-93	KLW				JM
94-191		F	ADD R2, R3 C5, C6 WERE JUNPER WIRE S1 WAS 16A	12/05/94	LCD				JM



COMMON

LAST USED	OBSOLETE
C7	C3
D7	
R18	R2, 3, 5, 6, 11-15
S4	S1, 2
U2	

CHANNEL 1

LAST USED	OBSOLETE
C157	C102, 121, 125, 127, 128, 131, 132, 142, 143
D132	D100-107, 114-116, 118, 119
N102	
Q124	Q114
R199	R100, 112, 115, 116, 117, 169, 172, 178
R916	R900-905
U104	

CHANNEL 2

LAST USED	OBSOLETE
C257	C202, 221, 225, 227, 228, 231, 232, 242, 243
D232	D200-207, 214-216, 218, 219
N202	
Q224	Q214
R299	R200, 212, 215, 216, 217, 269, 272, 278
R1016	R1000-1005
U204	

TABLE 1

POWER TECH 1	S1	BA	7800 / 90V
	C126 & C226		
POWER TECH 2	S1	12A	10000 / 110V
	C126 & C226		

CONNECTOR PIN IDENTIFICATION

CHANNEL 1 OUTPUT BOARD J800		CHANNEL 2 OUTPUT BOARD J700	
1	CURRENT LIMIT SENSE	1	CURRENT LIMIT SENSE
2	+NPN SENSE	2	+NPN SENSE
3	-ODEP	3	-ODEP
4	+ODEP	4	+ODEP
5	+VCC	5	+VCC
6	CH1 +LS DRIVE	6	CH1 +LS DRIVE
7	+LVA	7	+LVA
8	+VCC	8	+VCC
9	-NPN SENSE	9	-NPN SENSE
10	CH1 FEEDBACK	10	CH2 FEEDBACK

CHANNEL 1 OUTPUT BOARD J600		CHANNEL 2 OUTPUT BOARD J600	
1	-PNP SENSE	1	-PNP SENSE
2	-CURRENT SENSE	2	-CURRENT SENSE
3	-VCC	3	-VCC
4	-PTC	4	-PTC
5	+PTC	5	+PTC
6	CH1 -LS DRIVE	6	CH2 -LS DRIVE
7	-LVA	7	-LVA
8	-VCC	8	-VCC
9	+PNP SENSE	9	+PNP SENSE
10		10	

CROWN INTERNATIONAL, INC.  
1718 WEST MISHAWAKA ROAD ELKHART, IN. 46517 PHONE (219) 294-8000

SCHMATIC; PT-1/PT-2 120V 60HZ

PRINTS TO	DRAWN	LCD	7/9/91	APPROVED BY :	DO NOT SCALE PRINT
G:				ME	SUPERSEDES J0467-1 REV.B
	CHECKED			EE	E. C. N.
	SCALE	NONE		PE TS	C.P.N. SHEET 2 OF 2
	PROJ #	D267		9-24-91	J0467-1
	NEXT ASSEMBLY				

PRINTS TO	DRAWN	LCD	7/9/91	APPROVED BY :	DO NOT SCALE PRINT
G:				ME	SUPERSEDES J0467-1 REV.B
	CHECKED			EE	E. C. N.
	SCALE	NONE		PE TS	C.P.N. SHEET 2 OF 2
	PROJ #	D267		9-24-91	J0467-1
	NEXT ASSEMBLY				