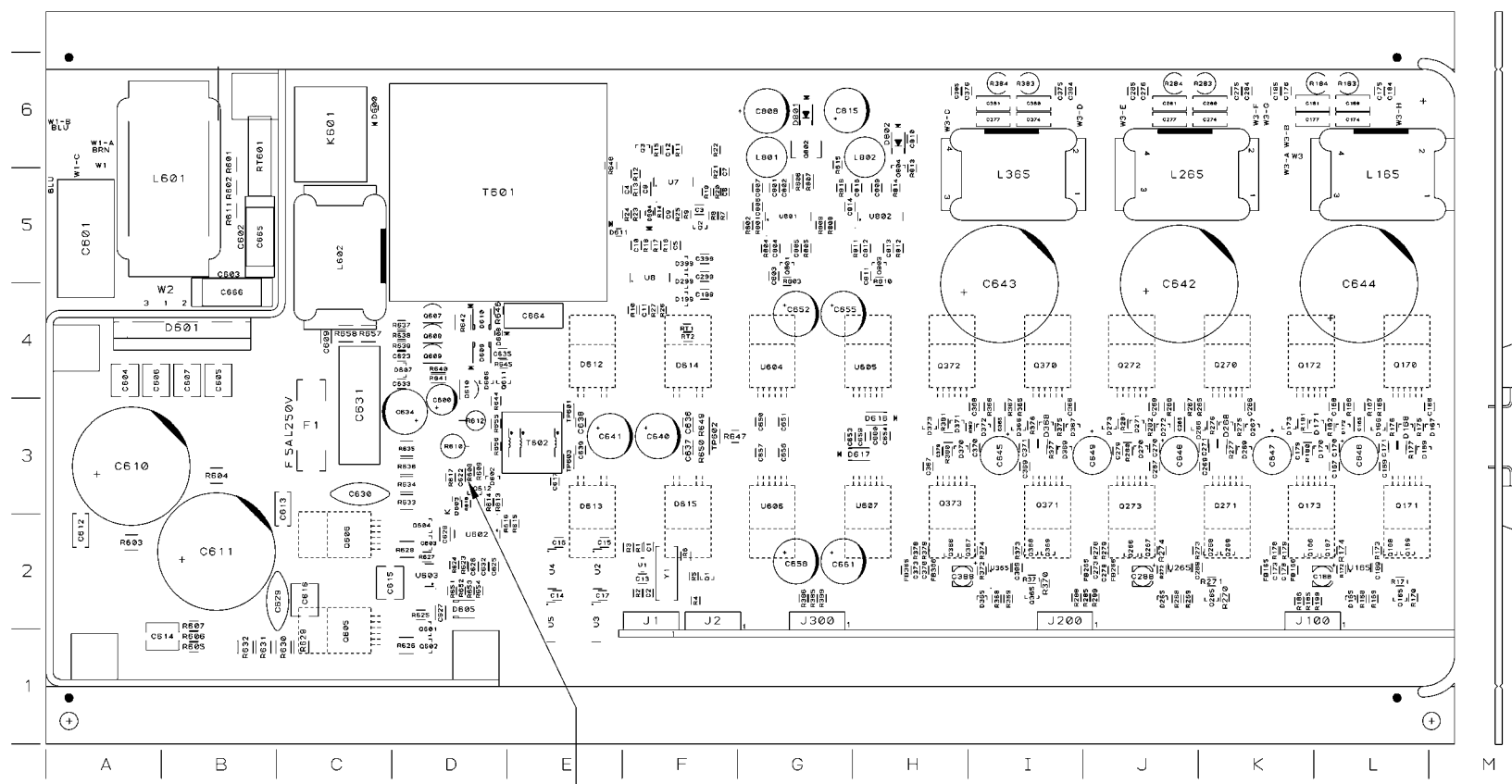


REVISION HISTORY							
E. C. N.	ZONE	REV	DESCRIPTION	DATE	APPROVED		
					DWN	CM	PE
		1	SEE 139975-3_1.XLS FOR COMPONENT DATA AND REVISION HISTORY.	7-24-07	TRW		EB

COMPONENT MAP



ALL T0220
PACKAGES
ARE MOUNTED
TO THE BOTTOM
OF THE BOARD

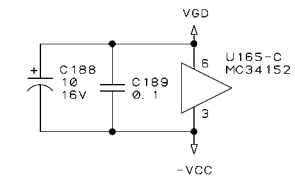
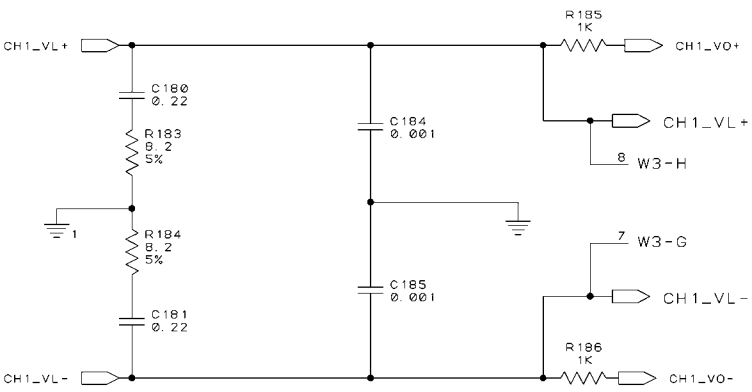
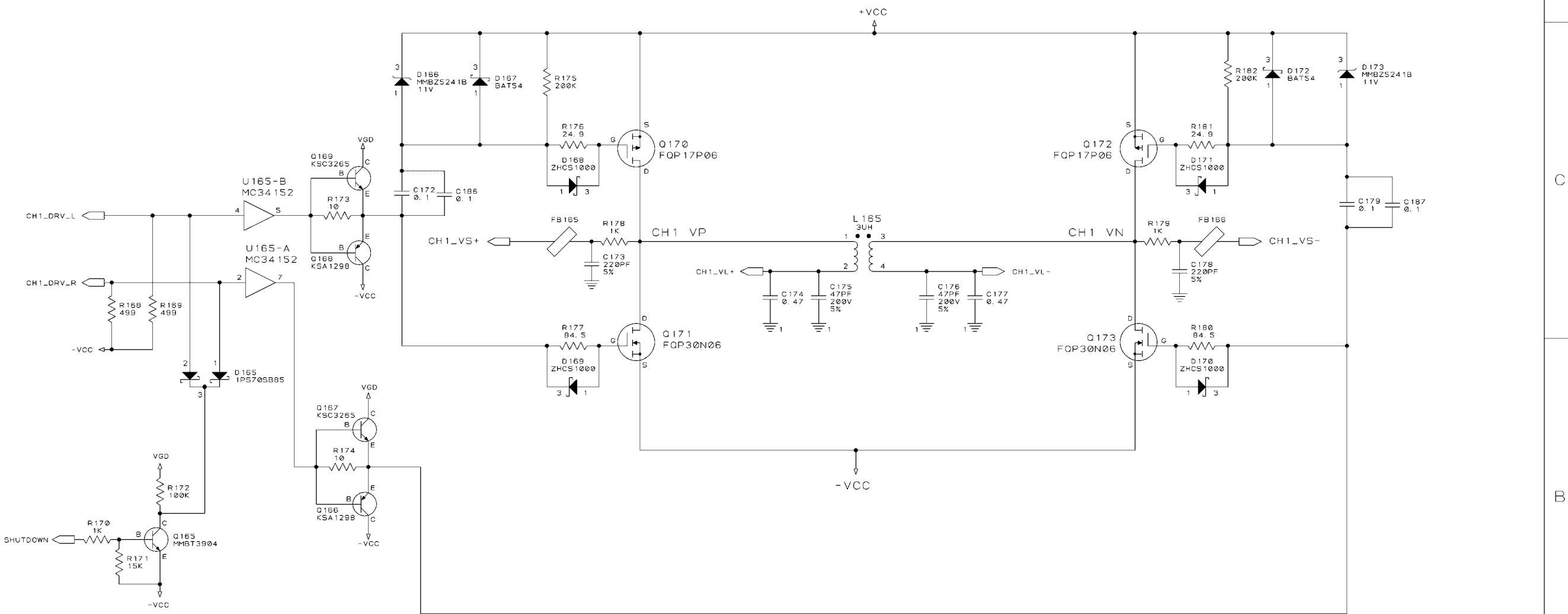
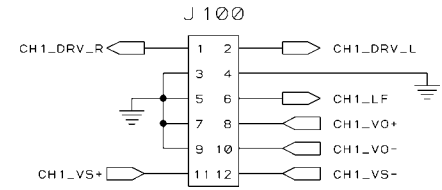
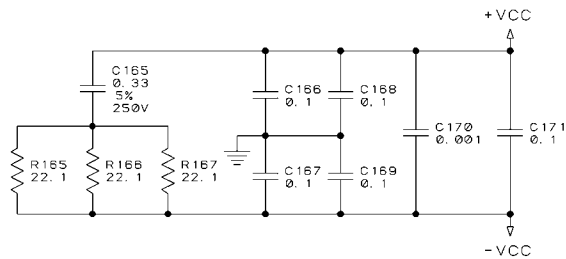
SEE 139975-3_1.XLS NOTE 7.
SOLDER C662 ON TOP OF R608.

UNCONTROLLED
UNLESS OTHERWISE MARKED IN RED INK BY CM AS A
CONTROLLED COPY. COPIES OF THESE DOCUMENTS
INCLUDING ASSOCIATED ELECTRONIC REPRODUCTIONS
ARE FOR REFERENCE ONLY. VERIFY LATEST
REVISION PRIOR TO USE.

THESE DRAWINGS AND SPECIFICATIONS ARE THE
PROPERTY OF CROWN INTERNATIONAL, INC. AND
SHALL NOT BE REPRODUCED, COPIED, OR USED
AS THE BASIS FOR THE MANUFACTURE OR SALE
OF APPARATUS OR DEVICES WITHOUT PERMISSION.

DISTRIBUTION	DWN	TRW	07-24-07	 1718 W. MISHAWAKA RD. ELKHART IN. 46517 PHONE 574-294-8000 WWW.CROWNAUDIO.COM
	CM			
FILENAME	PE	EB	07-24-07	TITLE
139975-3_1_01.PCB				PWA, DPC2 MAIN
TOLERANCE UNLESS OTHERWISE SPECIFIED				SIZE DWG NO.
.000 = ±.02" DRILLS = ±.003"				C 139975-3
DO NOT SCALE DRAWING				REV
				1
	SCALE NONE	PROJ NO. PRXVP	SHEET 1 OF 6	

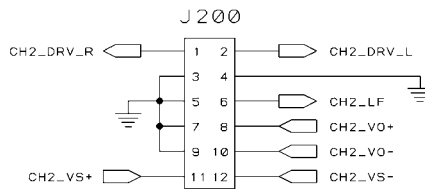
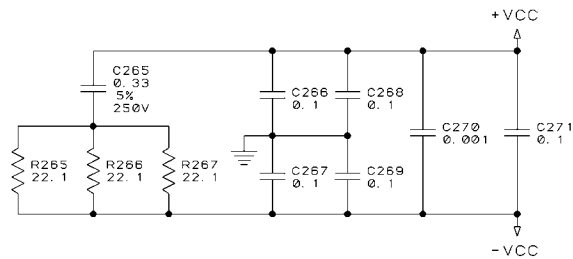
POWER SUPPLY FILTERING



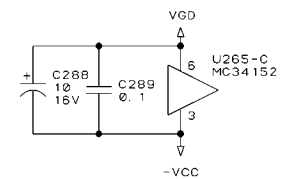
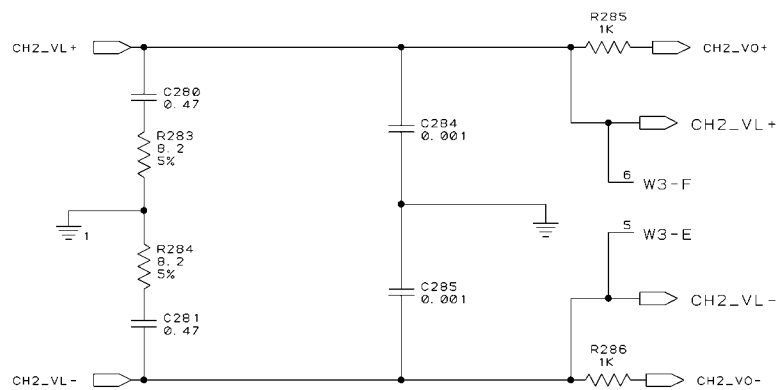
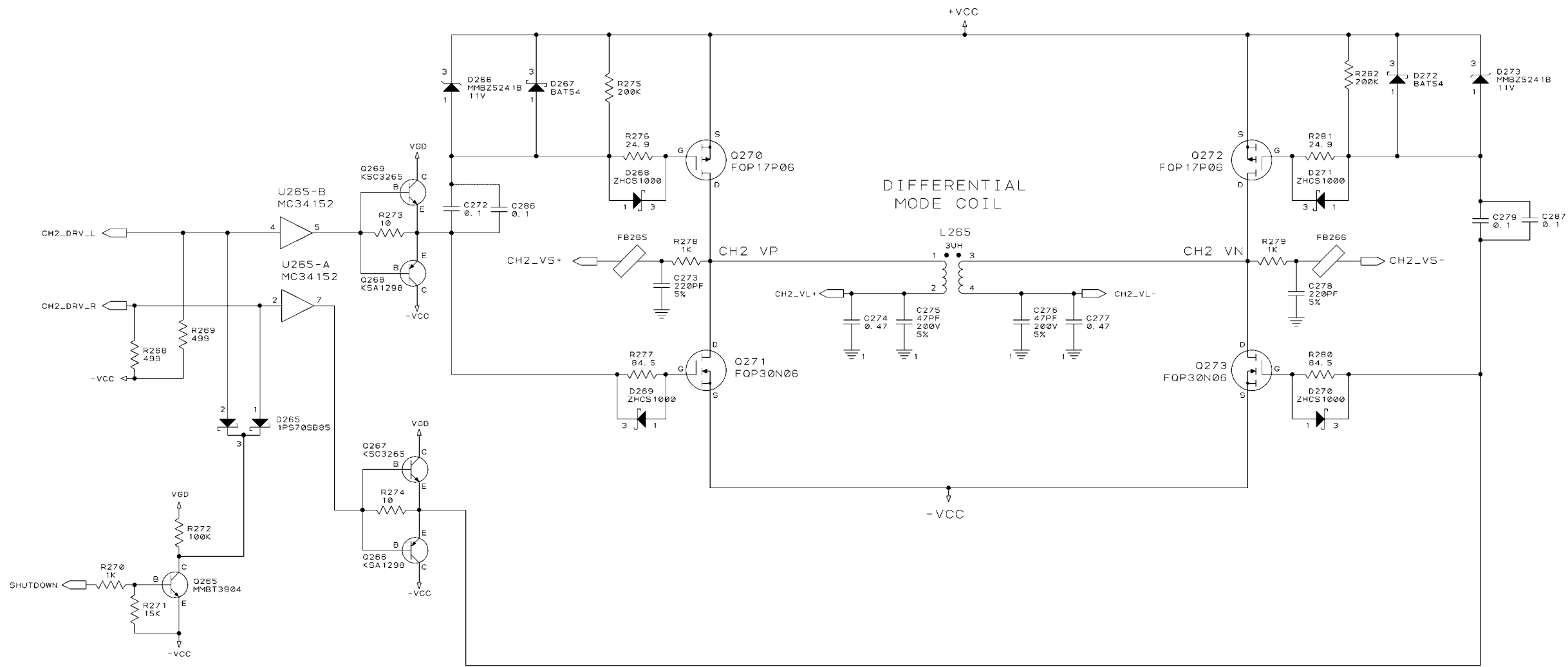
CH1 OUTPUT

UNCONTROLLED UNLESS OTHERWISE MARKED IN RED INK BY CM AS A CONTROLLED COPY. COPIES OF THESE DOCUMENTS INCLUDING ASSOCIATED ELECTRONIC REPRODUCTIONS ARE FOR REFERENCE ONLY.		THESE DRAWINGS AND SPECIFICATIONS ARE THE PROPERTY OF CROWN INTERNATIONAL, INC. AND SHALL NOT BE REPRODUCED, COPIED, OR USED AS THE BASIS FOR THE MANUFACTURE OR SALE OF APPARATUS OR DEVICES WITHOUT PERMISSION.		SIZE C	DWG NO. 139975-3	REV 1
SCALE NONE		PROJ NO. MAMPJB0		SHEET 2 OF 6		

POWER SUPPLY FILTERING



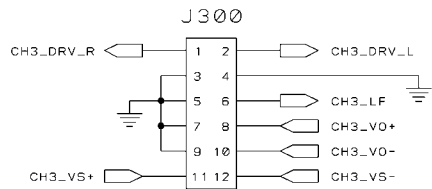
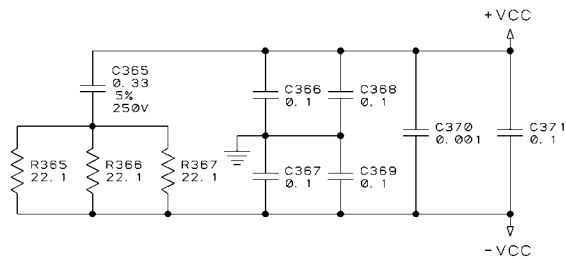
DIFFERENTIAL MODE COIL



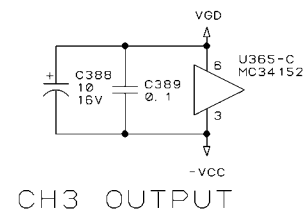
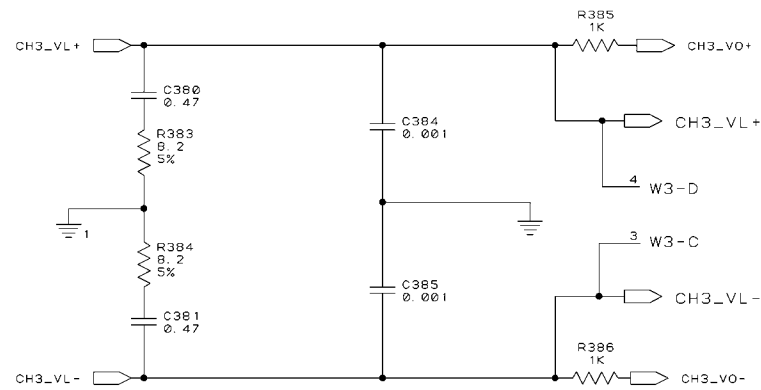
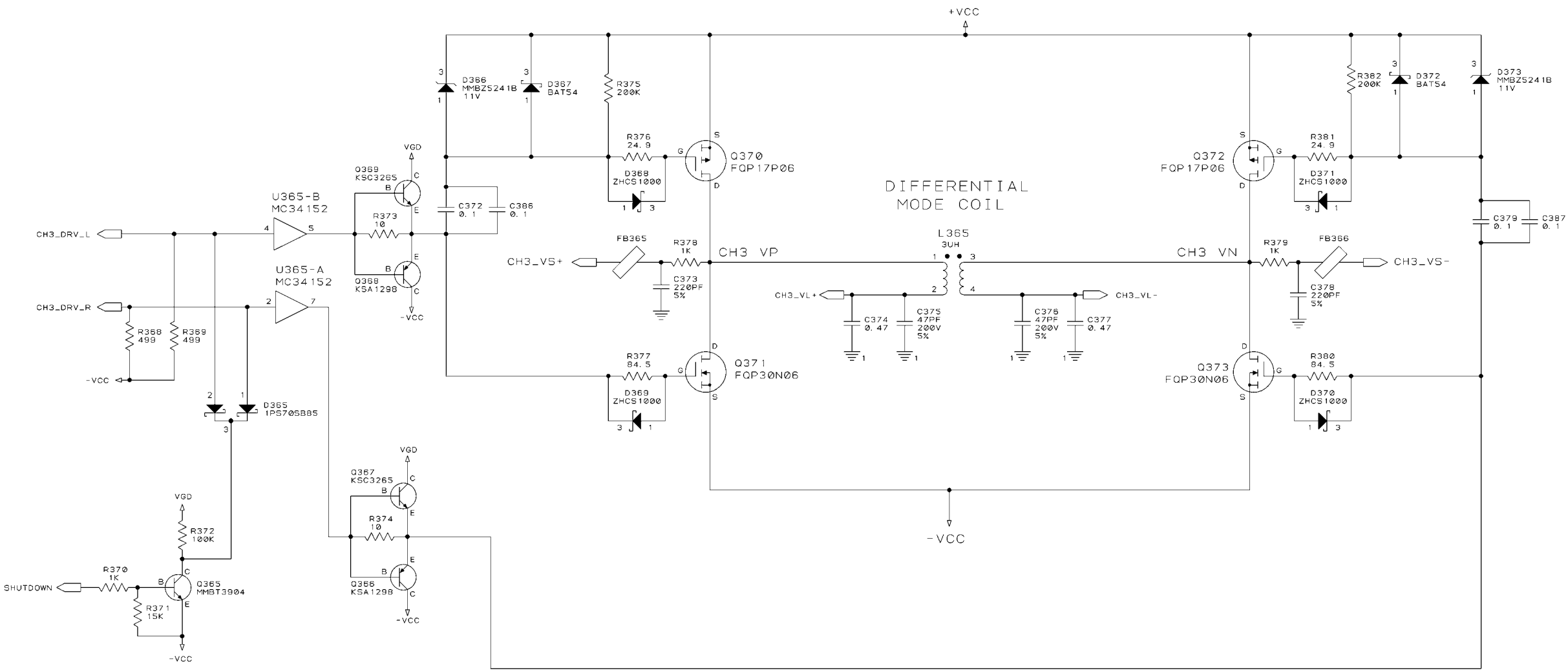
CH2 OUTPUT

UNCONTROLLED UNLESS OTHERWISE MARKED IN RED INK BY CM AS A CONTROLLED COPY. COPIES OF THESE DOCUMENTS INCLUDING ASSOCIATED ELECTRONIC REPRODUCTIONS ARE FOR REFERENCE ONLY.		THESE DRAWINGS AND SPECIFICATIONS ARE THE PROPERTY OF CROWN INTERNATIONAL, INC. AND SHALL NOT BE REPRODUCED, COPIED, OR USED AS THE BASIS FOR THE MANUFACTURE OR SALE OF APPARATUS OR DEVICES WITHOUT PERMISSION.		SIZE C	DWG NO. 139975-3	REV 1
SCALE NONE		PROJ NO. MAMPJB0		SHEET 3 OF 6		

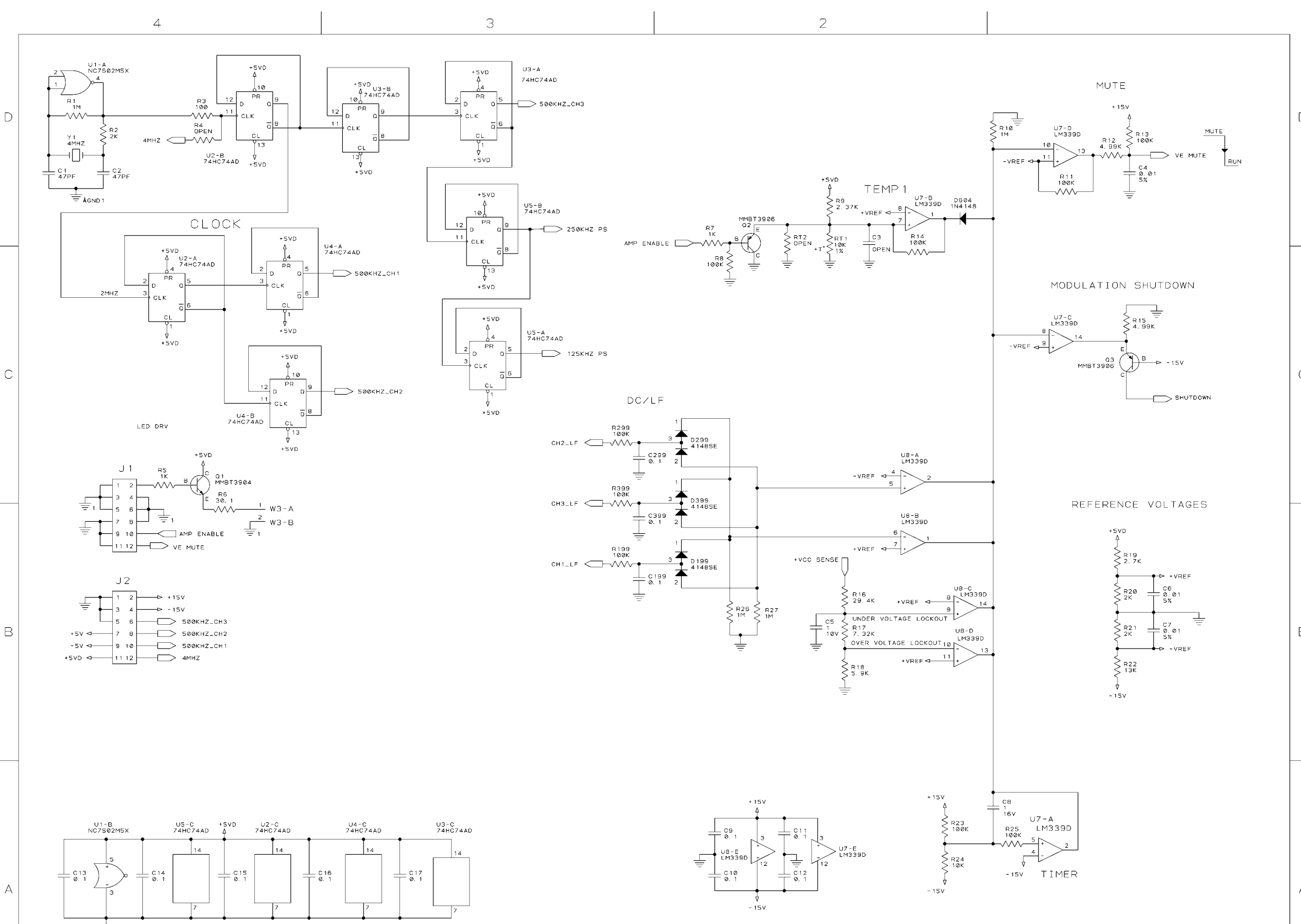
POWER SUPPLY FILTERING



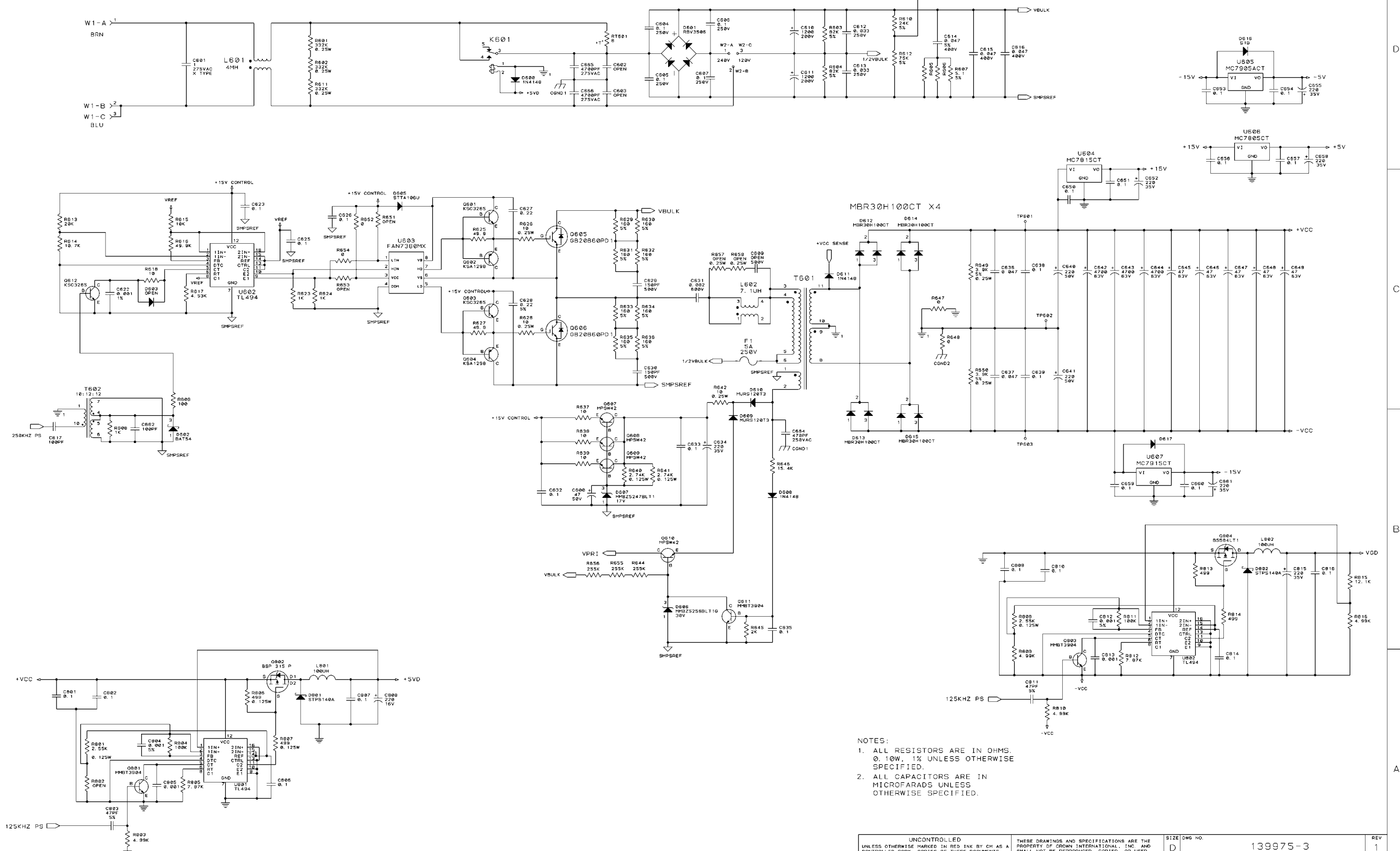
DIFFERENTIAL MODE COIL



UNCONTROLLED UNLESS OTHERWISE MARKED IN RED INK BY CM AS A CONTROLLED COPY. COPIES OF THESE DOCUMENTS INCLUDING ASSOCIATED ELECTRONIC REPRODUCTIONS ARE FOR REFERENCE ONLY.		THESE DRAWINGS AND SPECIFICATIONS ARE THE PROPERTY OF CROWN INTERNATIONAL, INC. AND SHALL NOT BE REPRODUCED, COPIED, OR USED AS THE BASIS FOR THE MANUFACTURE OR SALE OF APPARATUS OR DEVICES WITHOUT PERMISSION.		SIZE C	DWG NO. 139975-3	REV 1
SCALE NONE		PROJ NO. MAMPJB0		SHEET 4 OF 6		



SMPS



- NOTES:
1. ALL RESISTORS ARE IN OHMS. 0.10W, 1% UNLESS OTHERWISE SPECIFIED.
 2. ALL CAPACITORS ARE IN MICROFARADS UNLESS OTHERWISE SPECIFIED.

UNCONTROLLED	THESE DRAWINGS AND SPECIFICATIONS ARE THE PROPERTY OF CROWN INTERNATIONAL, INC. AND SHALL NOT BE REPRODUCED, COPIED, OR USED AS THE BASIS FOR THE MANUFACTURE OR SALE OF APPARATUS OR DEVICES WITHOUT PERMISSION.	SIZE DWG. NO.	139975-3	REV	1
		SCALE	NONE	PROJ. NO.	MAMPJ00
				SHEET	6 OF 6