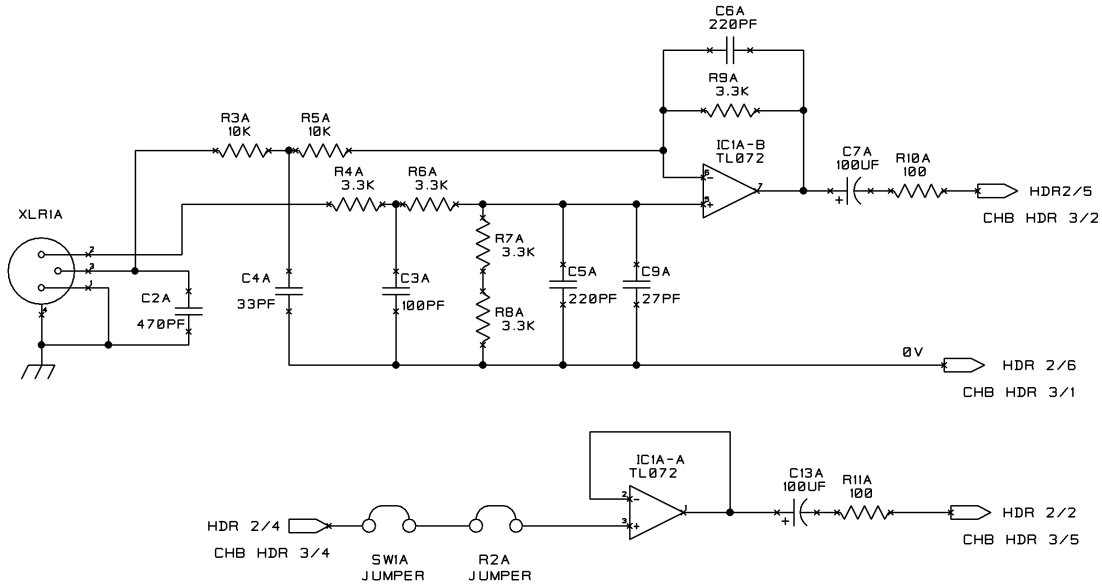


CHANNEL A ONLY SHOWN
 CHANNEL B IS SAME EXCEPT COMPONENT
 REFERENCE DESIGNATORS HAVE B SUFFIX

ALL RESISTORS ARE 1/4W, MF

REVISION HISTORY							
E.C.N.	REV	DESCRIPTION	DATE	APPROVED			
				DWN	CHK	CM	PE

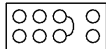
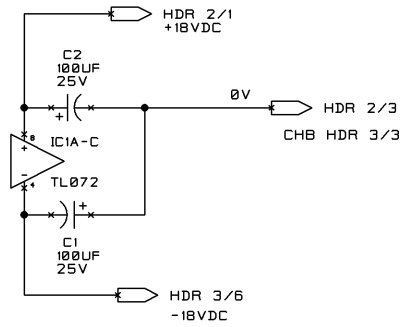


INPUT PWB IS CONNECTED TO MAIN PWB
 VIA 2 - 6 CONDUCTOR #24AWG RIBBON
 CABLES IN PLACE OF HEADER CONNECTORS
 HDR2 AND HDR3.

NOTE: THIS PWB IS MADE FROM CAUDIO P/N 1073 INPUT MODULE.

THE FOLLOWING COMPONENTS ARE NOT FITTED:
 XLR2A/B, C1A/B, C11A/B, C14A/B, C12A/B, C8A/B
 C10A/B, LDR1A/B, R12A/B, R1A/B, SW2, SW1A/B AND R2A/B.

IN ADDITION #24AWG JUMPERS ARE INSERTED IN PLACE OF
 R2A/B AND ACROSS THE CENTER CONTACTS OF SW1A/B
 SEE DIAGRAM BELOW.



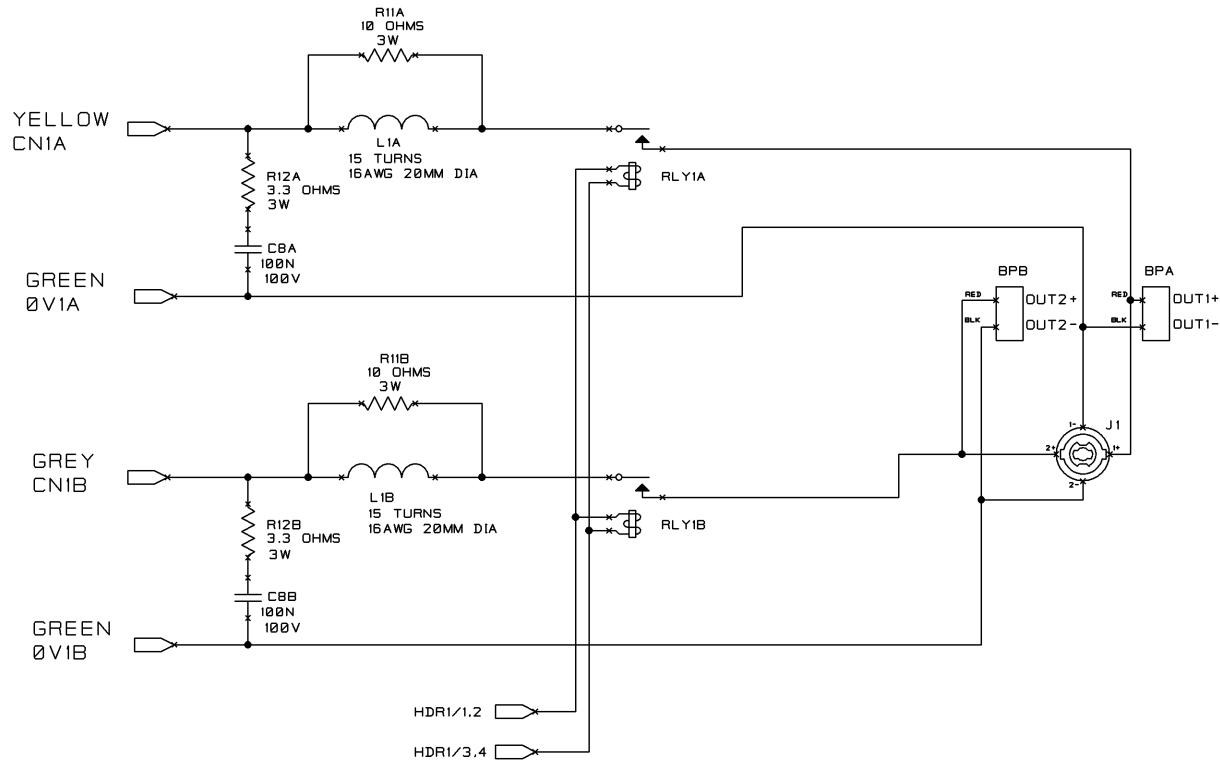
SW1A/B JUMPER LOCATION
 VIEWED FROM COMPONENT SIDE

UNCONTROLLED
 UNLESS OTHERWISE MARKED IN RED INK BY CM AS A
 CONTROLLED COPY, COPIES OF THESE DOCUMENTS
 INCLUDING ASSOCIATED ELECTRONIC REPRODUCTIONS
 ARE FOR REFERENCE ONLY.

THESE DRAWINGS AND SPECIFICATIONS ARE THE
 PROPERTY OF CROWN INTERNATIONAL, INC. AND
 SHALL NOT BE REPRODUCED, COPIED, OR USED
 AS THE BASIS FOR THE MANUFACTURE OR SALE
 OF APPARATUS OR DEVICES WITHOUT PERMISSION.

DISTRIBUTION	DWN	TRW	5/02/02	 1718 W. MISHAWAKA RD. ELKHART IN. 46517 PHONE (219) 294-8000 WWW.CROWNINTL.COM
FILENAME	CHK			
	CM			
TOLERANCE UNLESS OTHERWISE SPECIFIED				TITLE
.00 - 1.02" .000 - 1.010" DRILLS - 1.003"				SCHEMATIC, XLS2U INPUT
DO NOT SCALE DRAWING				SIZE B DWG NO. 135275-1 REV 1
SCALE NONE		PROJ NO. XLS2U	SHEET 1 OF 1	

REVISION HISTORY				
E.C.N.	REV	DESCRIPTION	DATE	APPROVED
				DWN CHK CM PE



NOTE: THIS PWB IS MADE FROM CAUDIO P/N 1072 OUTPUT MODULE.

DISTRIBUTION	DWN	TRW	5/02/02	 1718 W. MISHAWAKA RD. ELKHART IN. 46517 PHONE (219) 294-8000 WWW.CROWNINTL.COM
	CHK			
FILENAME	CM			
	PE			
TOLERANCE UNLESS OTHERWISE SPECIFIED				TITLE
.00 - ±0.2°				SCHMATIC, XLS2U OUTPUT
.000 - ±0.10°				SIZE
DRILLS - ±0.03°				DWG NO. 135276-1
DO NOT SCALE DRAWING				SCALE NONE
				PROJ NO. XLS2U
				SHEET 1 OF 1

UNCONTROLLED
UNLESS OTHERWISE MARKED IN RED INK BY CM AS A CONTROLLED COPY, COPIES OF THESE DOCUMENTS INCLUDING ASSOCIATED ELECTRONIC REPRODUCTIONS ARE FOR REFERENCE ONLY.

THESE DRAWINGS AND SPECIFICATIONS ARE THE PROPERTY OF CROWN INTERNATIONAL, INC. AND SHALL NOT BE REPRODUCED, COPIED, OR USED AS THE BASIS FOR THE MANUFACTURE OR SALE OF APPARATUS OR DEVICES WITHOUT PERMISSION.

REV 1