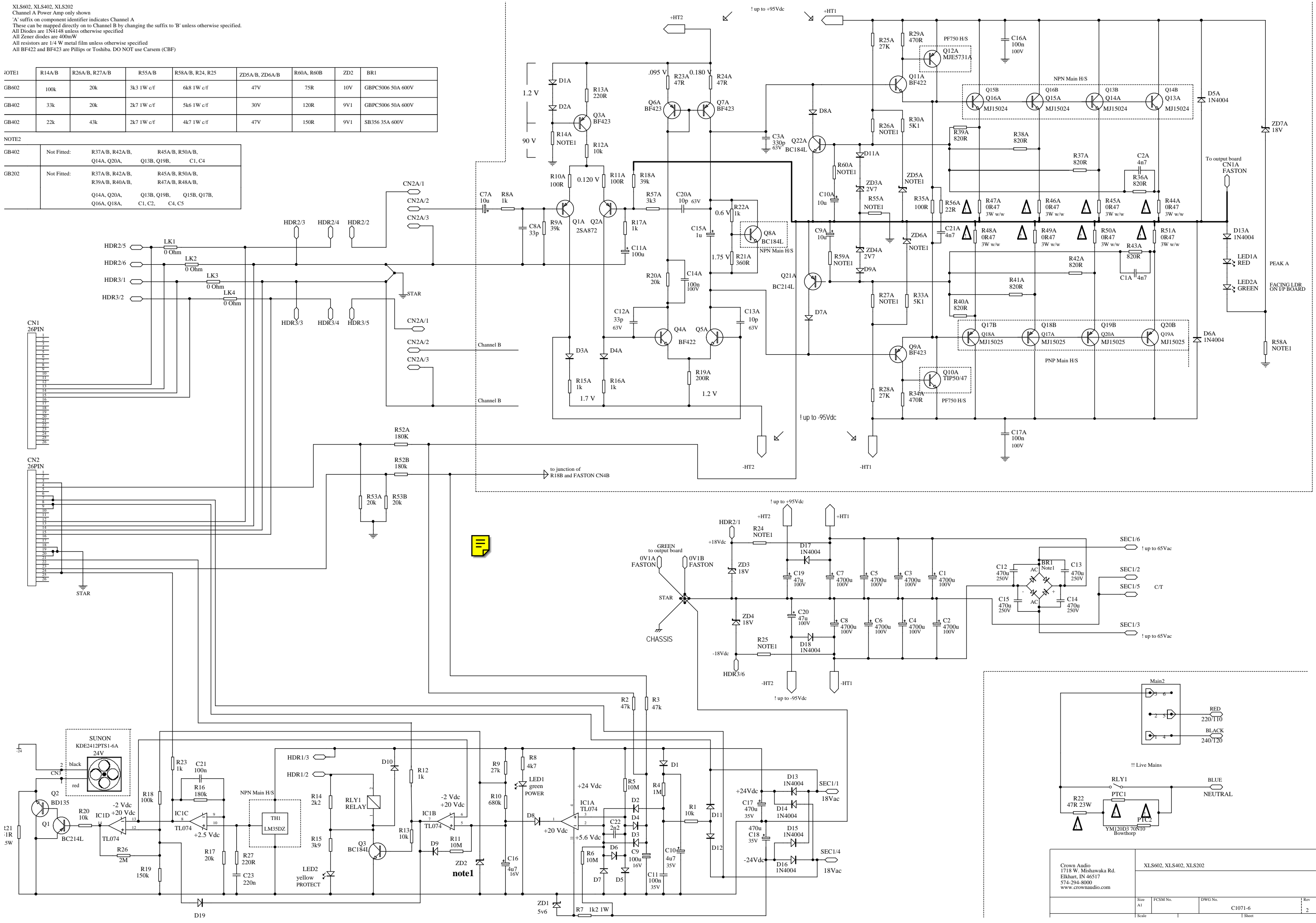


XLS602, XLS402, XLS202  
 Channel A Power Amp only shown  
 'A' suffix on component identifier indicates Channel A  
 These can be mapped directly on to Channel B by changing the suffix to 'B' unless otherwise specified.  
 All Diodes are 1N4148 unless otherwise specified  
 All Zener diodes are 400mW  
 All resistors are 1/4 W metal film unless otherwise specified  
 All BF422 and BF423 are Philips or Toshiba. DO NOT use Carsem (CBF)

NOTE1	R14A/B	R26A/B, R27A/B	R55A/B	R58A/B, R24, R25	ZD5A/B, ZD6A/B	R60A, R60B	ZD2	BR1
GB602	100k	20k	3k3 1W c/f	6k8 1W c/f	47V	75R	10V	GBPC5006 50A 600V
GB402	33k	20k	2k7 1W c/f	5k6 1W c/f	30V	120R	9V1	GBPC5006 50A 600V
GB402	22k	43k	2k7 1W c/f	4k7 1W c/f	47V	150R	9V1	SB356 35A 600V

NOTE2

GB402	Not Fitted:	R37A/B, R42A/B, Q14A, Q20A, Q13B, Q19B, C1, C4
GB202	Not Fitted:	R37A/B, R42A/B, R39A/B, R40A/B, Q14A, Q20A, Q13B, Q19B, Q15B, Q17B, Q16A, Q18A, C1, C2, C4, C5



Crown Audio  
 1718 W. Mishawaka Rd.  
 Elkhart, IN 46517  
 574-294-8000  
 www.crownaudio.com

XLS602, XLS402, XLS202

Size A1	FCSM No.	DWG No.	Rev
Scale		C1071-6	2

1 Sheet