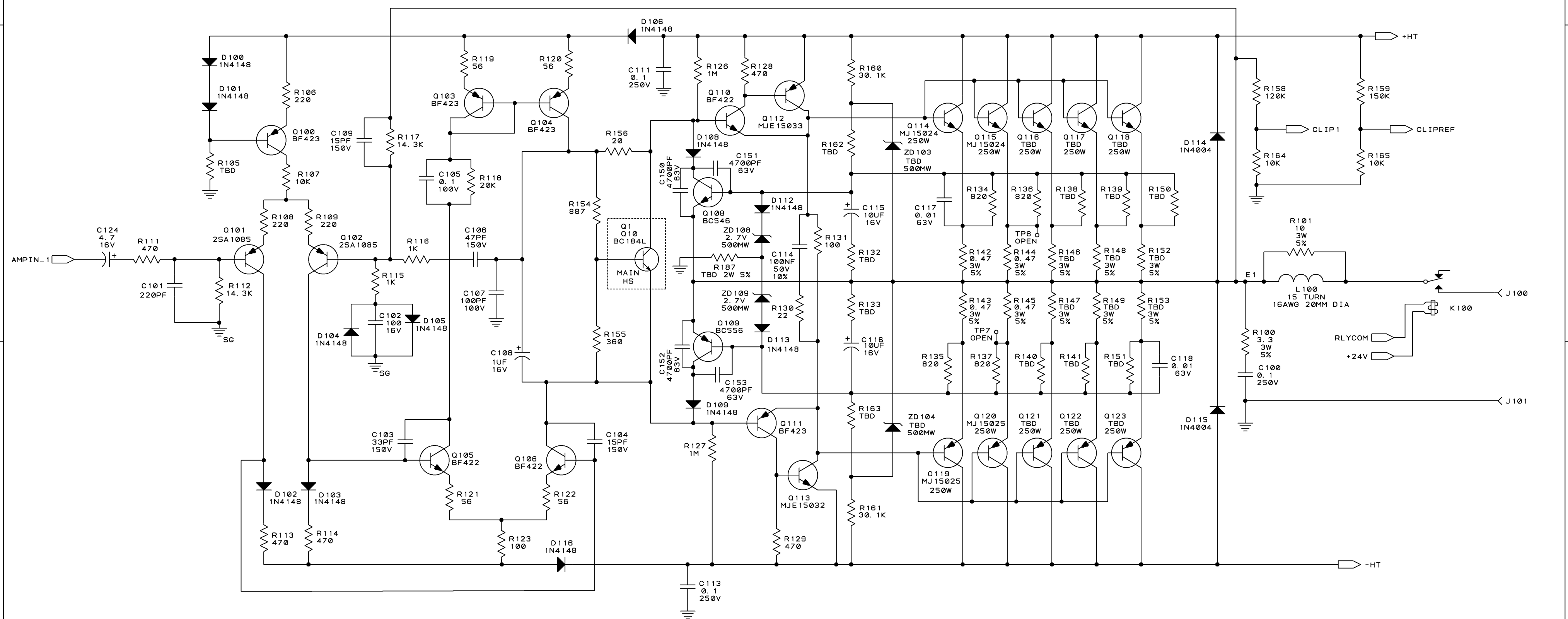


REVISION HISTORY							
E. C. N.	ZONE	REV	DESCRIPTION	DATE	APPROVED		
					DWN	CM	PE
		1	SEE 138373-7_1.XLS FOR REVISION HISTORY	4-21-06	JFL	N/A	CC
		2	SEE 138373-7_2.XLS FOR REVISION HISTORY	5-18-06	JFL	N/A	CC

CHANNEL 1



AMP COMPONENT VALUES

AMP	R5/R6 R28/R29	R105/R205	R132/R232 R133/R233	R162/R262 R163/R263	R187/R287	ZD103/ZD203 ZD104/ZD204	Q116/Q216	Q117/Q217	Q118/Q218	Q121/Q221	Q122/Q222	Q123/Q223	R138/R238 R140/R240	R150/R250 R151/R251	R139/R239 R141/R241	R146/R246 R147/R247	R152/R252 R153/R253	R148/R248 R149/R249	R21	R23	R16	R33	
802	32.4K	100K	56.0 OHM	24.3K	3.9K 2W 5%	75V	MJ15024	MJ15024	MJ15024	MJ15025	MJ15025	MJ15025	820 OHM	820 OHM	820 OHM	0.47 3W 5%	0.47 3W 5%	0.47 3W 5%	39.0 5W 5%	15.0 5W 5%	698K	1.82K	
602	28.0K	47.0K	75.0 OHM	20.0K	3.3K 1W 5%	47V 500MW	OPEN	MJ15024	MJ15024	OPEN	OPEN	OPEN	820 OHM	820 OHM	820 OHM	OPEN	0.47 3W 5%	0.47 3W 5%	39.0 5W 5%	15.0 5W 5%	665K	2.61K	
402	24.3K	47.0K	120 OHM	30.1K	2.7K 1W 5%	47V 500MW	OPEN	MJ15024	OPEN	OPEN	MJ15025	OPEN	OPEN	OPEN	820 OHM	OPEN	OPEN	0.47 3W 5%	0.47 3W 5%	39.0 5W 5%	15.0 5W 5%	732K	2.49K
202	20.0K	33.0K	150 OHM	47.0K	2.7K 1W 5%	47V 500MW	OPEN	OPEN	OPEN	OPEN	OPEN	OPEN	OPEN	OPEN	OPEN	OPEN	OPEN	OPEN	0.47 3W 5%	30.0 2W 5%	665K	1.0K	

NOTES:

- SEE 138373-7_2.XLS FOR DATA & REVS
- 1. ALL RESISTORS ARE IN OHMS, 0.25W, 1% UNLESS OTHERWISE SPECIFIED.
- 2. ALL CAPACITORS ARE IN MICROFARADS UNLESS OTHERWISE SPECIFIED.

UNCONTROLLED
UNLESS OTHERWISE MARKED IN RED INK BY CM AS A CONTROLLED COPY. COPIES OF THESE DOCUMENTS INCLUDING ASSOCIATED ELECTRONIC REPRODUCTIONS ARE FOR REFERENCE ONLY. VERIFY LATEST REVISION PRIOR TO USE.

THESE DRAWINGS AND SPECIFICATIONS ARE THE PROPERTY OF CROWN INTERNATIONAL, INC. AND SHALL NOT BE REPRODUCED, COPIED, OR USED AS THE BASIS FOR THE MANUFACTURE OR SALE OF APPARATUS OR DEVICES WITHOUT PERMISSION.

DISTRIBUTION	DWN	JFL	4-21-06
FILENAME	PE	CC	4-21-06
TOLERANCE UNLESS OTHERWISE SPECIFIED			
DO NOT SCALE DRAWING			

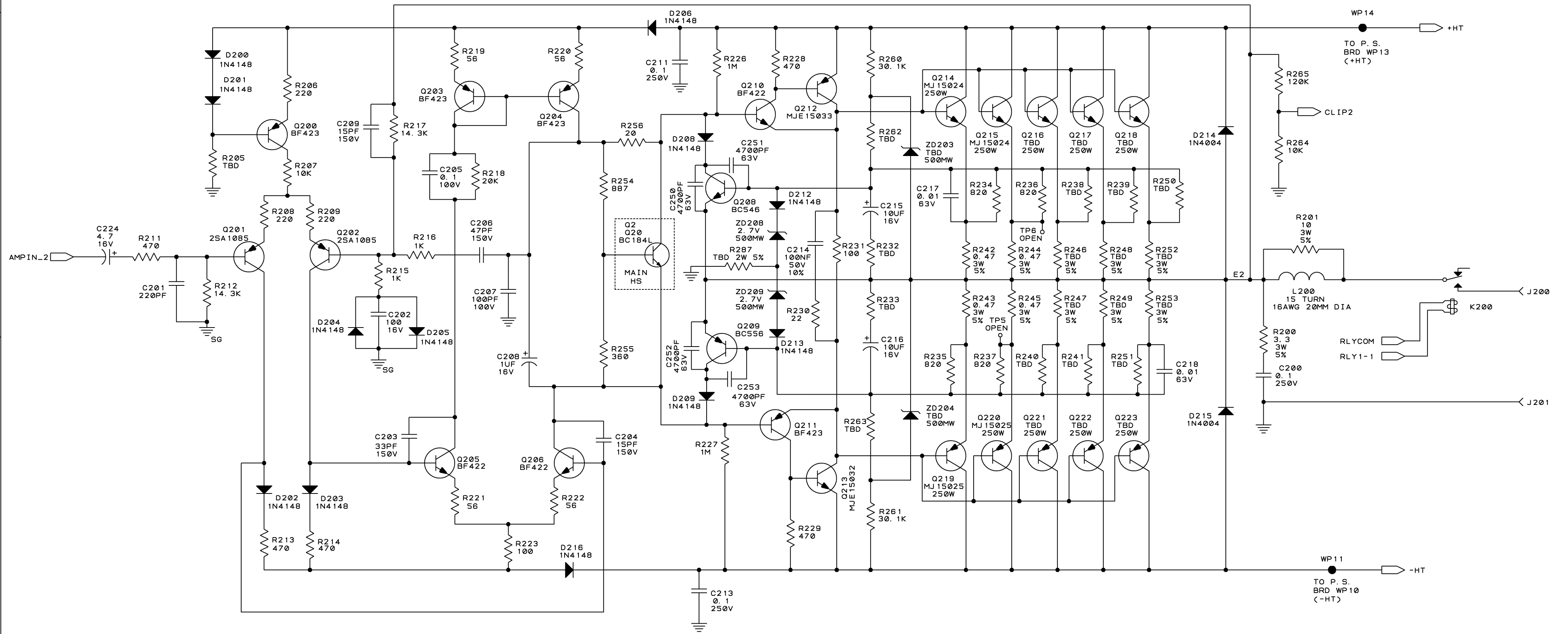
CROWN INTERNATIONAL, INC.
1718 W. MISHAWAKA RD. ELKHART IN, 46517
PHONE 574-294-8000 WWW.CROWNAUDIO.COM

TITLE: PWA, XLS MAIN

SIZE: C DWG NO: 138373-7 REV: 2

SCALE: NONE PROJ NO: 100008 SHEET: 1 OF 4

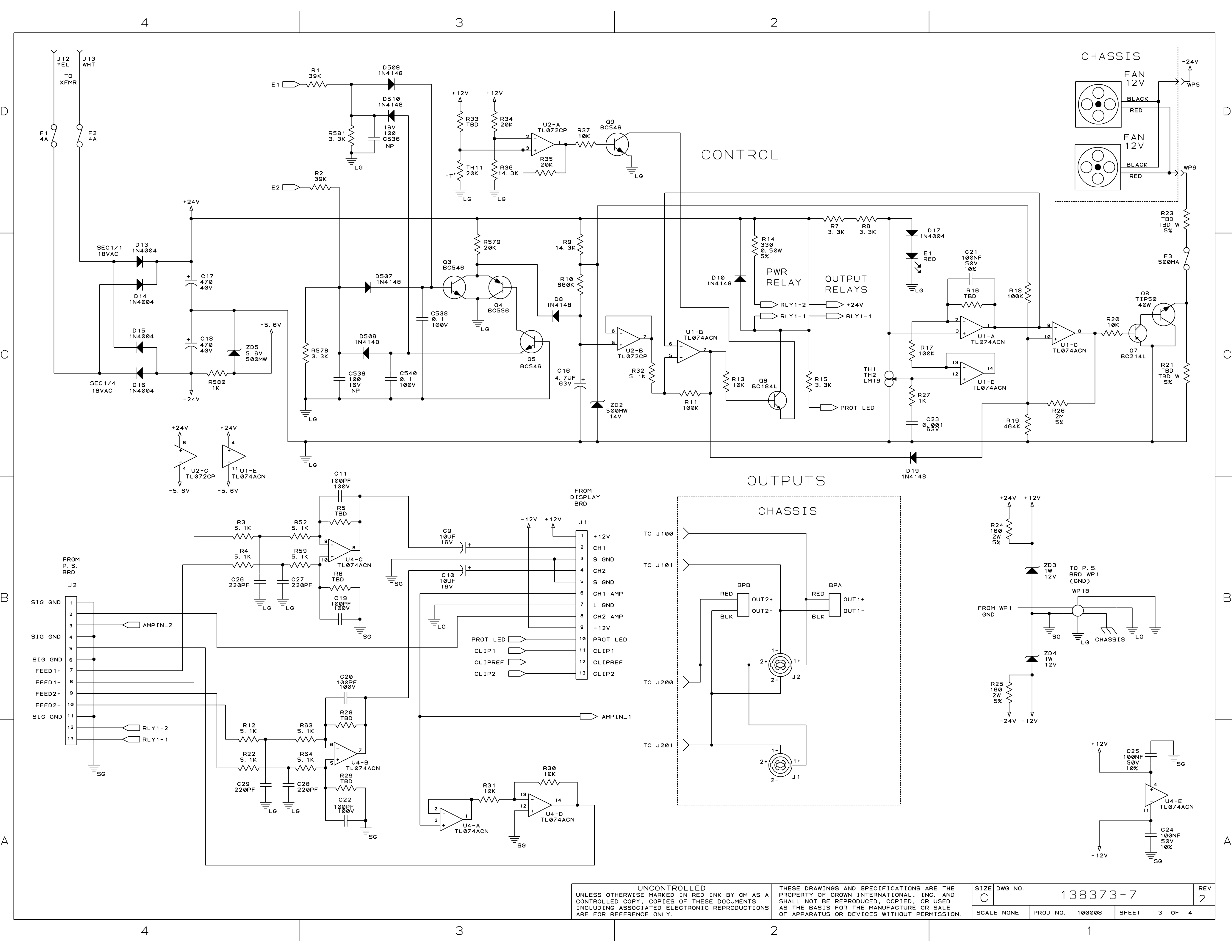
CHANNEL 2



UNCONTROLLED
UNLESS OTHERWISE MARKED IN RED INK BY CM AS A CONTROLLED COPY, COPIES OF THESE DOCUMENTS INCLUDING ASSOCIATED ELECTRONIC REPRODUCTIONS ARE FOR REFERENCE ONLY.

THESE DRAWINGS AND SPECIFICATIONS ARE THE PROPERTY OF CROWN INTERNATIONAL, INC. AND SHALL NOT BE REPRODUCED, COPIED, OR USED AS THE BASIS FOR THE MANUFACTURE OR SALE OF APPARATUS OR DEVICES WITHOUT PERMISSION.

SIZE	DWG NO.	REV
C	138373-7	2
SCALE NONE	PROJ NO. 100008	SHEET 2 OF 4

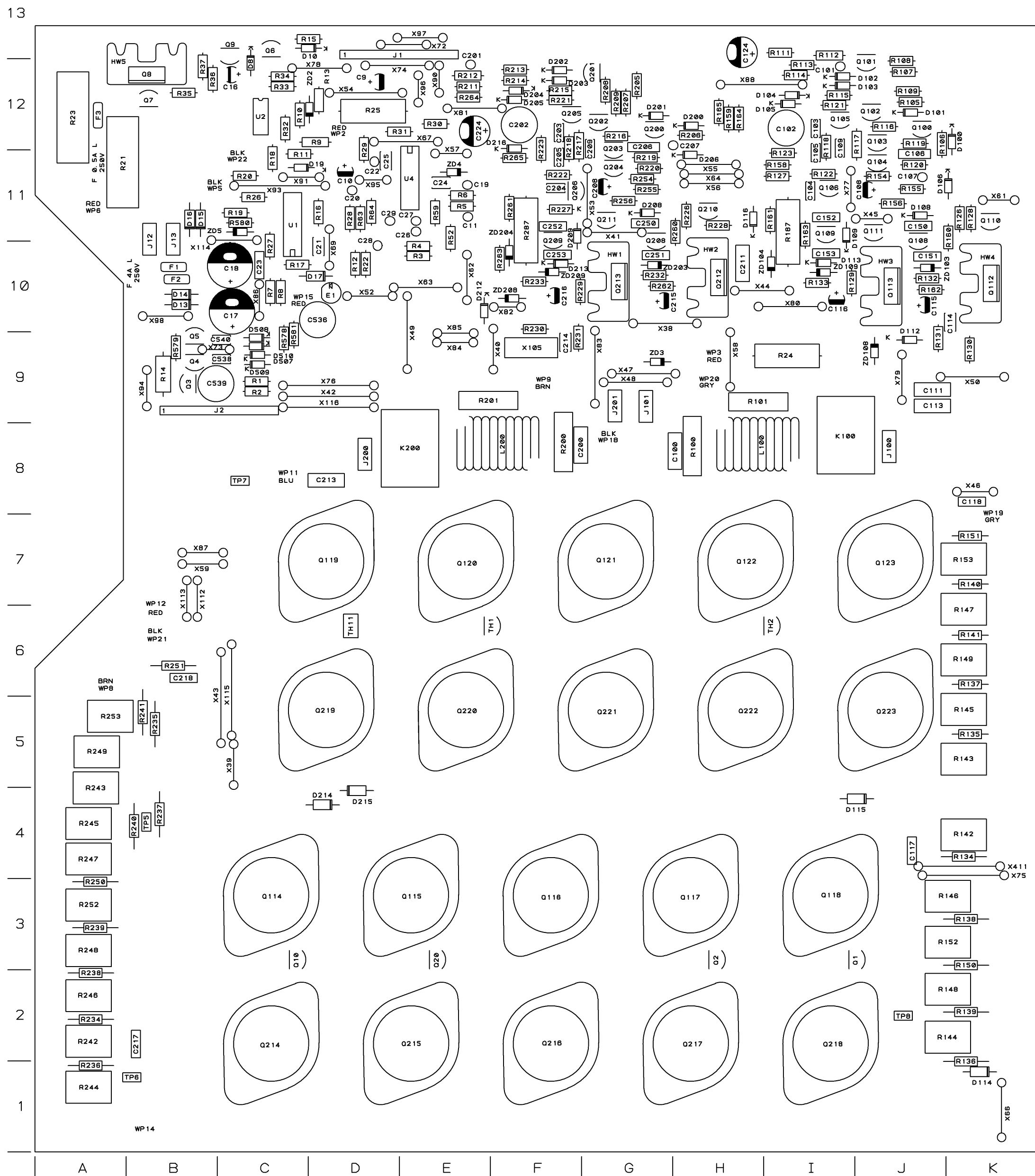


UNCONTROLLED
 UNLESS OTHERWISE MARKED IN RED INK BY CM AS A
 CONTROLLED COPY. COPIES OF THESE DOCUMENTS
 INCLUDING ASSOCIATED ELECTRONIC REPRODUCTIONS
 ARE FOR REFERENCE ONLY.

THESE DRAWINGS AND SPECIFICATIONS ARE THE
 PROPERTY OF CROWN INTERNATIONAL, INC. AND
 SHALL NOT BE REPRODUCED, COPIED, OR USED
 AS THE BASIS FOR THE MANUFACTURE OR SALE
 OF APPARATUS OR DEVICES WITHOUT PERMISSION.

SIZE	DWG NO.	REV
C	138373-9	2
SCALE NONE	PROJ NO. 100008	SHEET 3 OF 4

COMPONENT MAP
TOP SIDE



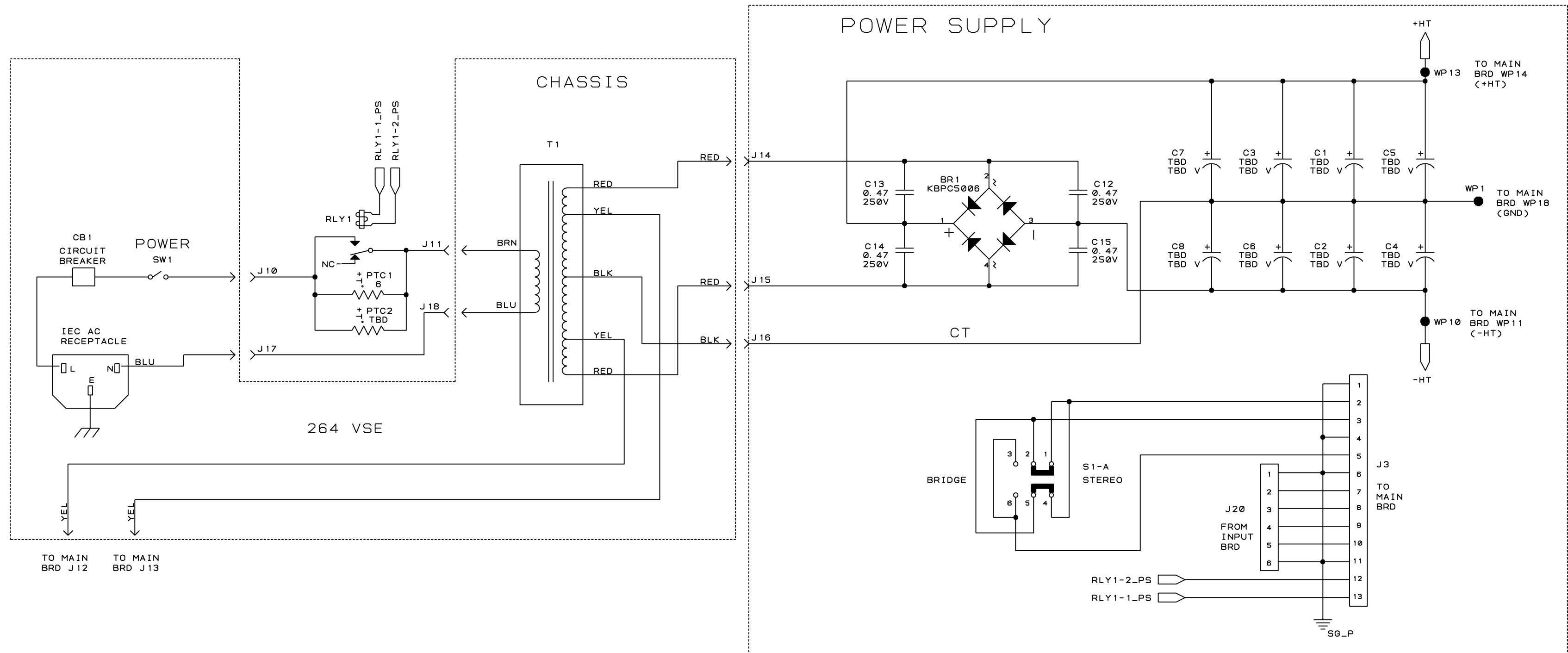
PWA, XLS MAIN

UNCONTROLLED
UNLESS OTHERWISE MARKED IN RED INK BY CM AS A
CONTROLLED COPY. COPIES OF THESE DOCUMENTS
INCLUDING ASSOCIATED ELECTRONIC REPRODUCTIONS
ARE FOR REFERENCE ONLY.

THESE DRAWINGS AND SPECIFICATIONS ARE THE
PROPERTY OF CROWN INTERNATIONAL, INC. AND
SHALL NOT BE REPRODUCED, COPIED, OR USED
AS THE BASIS FOR THE MANUFACTURE OR SALE
OF APPARATUS OR DEVICES WITHOUT PERMISSION.

SIZE	DWG NO.	REV
C	138373-7	2
SCALE NONE	PROJ NO. 100008	SHEET 4 OF 4

REVISION HISTORY					
E. C. N.	ZONE	REV	DESCRIPTION	DATE	APPROVED
					DWN CM PE
		1	SEE 138381-5_1.XLS FOR REVISION HISTORY	1-27-06	JFL N/A CC
		2	SEE 138381-5_2.XLS FOR REVISION HISTORY	5-18-06	JFL N/A CC



POWER SUPPLY COMPONENT VALUES				
AMP	C2/C7	C1/C3/ C4/C6	C5/C8	PTC2
802	4700UF 125V	4700UF 125V	4700UF 125V	PTC, 6.0 OHM 265V
802 (E13/E14)	4700UF 125V	4700UF 125V	4700UF 125V	OPEN
602	OPEN	4700UF 125V	OPEN	OPEN
602 (E1)	OPEN	4700UF 125V	OPEN	PTC, 6.0 OHM 265V
402	3300UF 100V	3300UF 100V	OPEN	OPEN
202	3300UF 100V	3300UF 100V	OPEN	OPEN

NOTES:

- SEE 138381-5_2.XLS FOR DATA & REVS
1. ALL RESISTORS ARE IN OHMS, 0.25W, 1% UNLESS OTHERWISE SPECIFIED.
2. ALL CAPACITORS ARE IN MICROFARADS UNLESS OTHERWISE SPECIFIED.
3. RELAYS SHOWN IN DE-ENERGIZED POSITION.

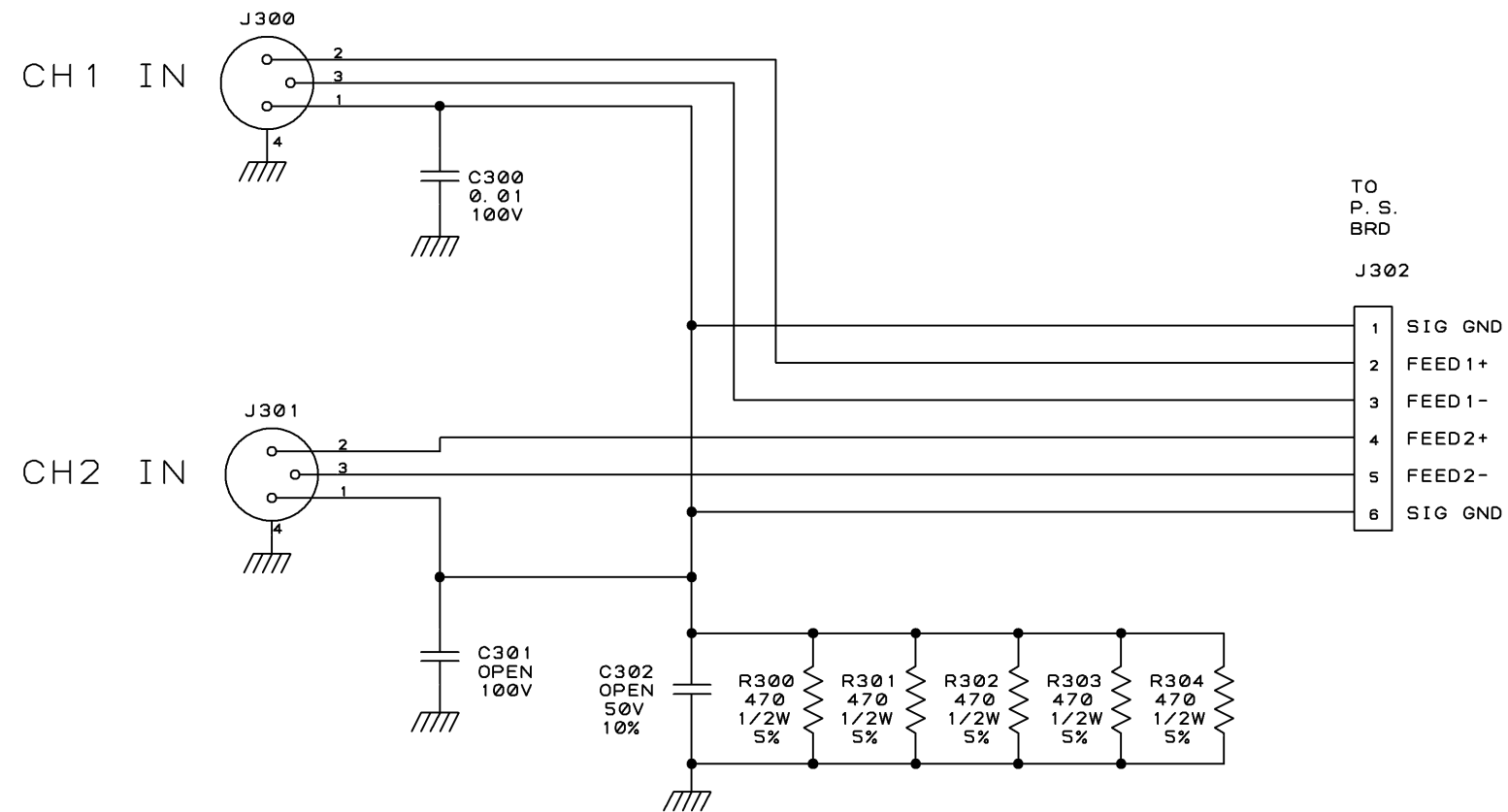
UNCONTROLLED
UNLESS OTHERWISE MARKED IN RED INK BY CM AS A CONTROLLED COPY. COPIES OF THESE DOCUMENTS INCLUDING ASSOCIATED ELECTRONIC REPRODUCTIONS ARE FOR REFERENCE ONLY. VERIFY LATEST REVISION PRIOR TO USE.

THESE DRAWINGS AND SPECIFICATIONS ARE THE PROPERTY OF CROWN INTERNATIONAL, INC. AND SHALL NOT BE REPRODUCED, COPIED, OR USED AS THE BASIS FOR THE MANUFACTURE OR SALE OF APPARATUS OR DEVICES WITHOUT PERMISSION.

DISTRIBUTION	DWN	JFL	1-27-06
	CM		
FILENAME	PE	CC	1-27-06
138381-5_2.SCM			
TOLERANCE UNLESS OTHERWISE SPECIFIED			
.00 = ±.02"			
.000 = ±.010"			
DRILLS = ±.003"			
DO NOT SCALE DRAWING			

CROWN INTERNATIONAL, INC. 1718 W. MISHAWAKA RD. ELKHART IN, 46517 PHONE 574-294-8000 WWW.CROWNAUDIO.COM

TITLE		
PWB, XLS POWER SUPPLY		
SIZE	DWG NO.	REV
C	138381-5	2
SCALE NONE	PROJ NO. 100008	SHEET 1 OF 4



NOTES:

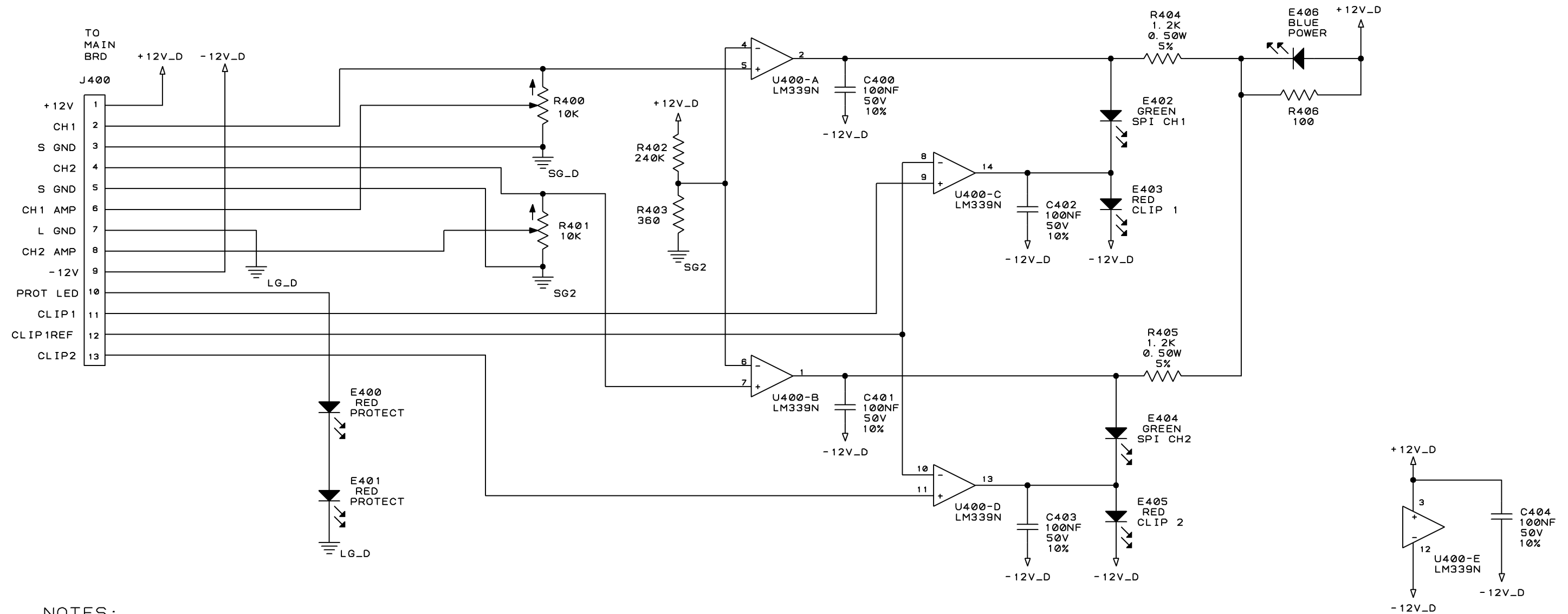
- SEE 138381-5_2.XLS FOR DATA & REVS
1. ALL RESISTORS ARE IN OHMS, 0.25W, 1% UNLESS OTHERWISE SPECIFIED.
 2. ALL CAPACITORS ARE IN MICROFARADS UNLESS OTHERWISE SPECIFIED.

PWA, XLS 2 CH INPUT

UNCONTROLLED
UNLESS OTHERWISE MARKED IN RED INK BY CM AS A CONTROLLED COPY, COPIES OF THESE DOCUMENTS INCLUDING ASSOCIATED ELECTRONIC REPRODUCTIONS ARE FOR REFERENCE ONLY.

THESE DRAWINGS AND SPECIFICATIONS ARE THE PROPERTY OF CROWN INTERNATIONAL, INC. AND SHALL NOT BE REPRODUCED, COPIED, OR USED AS THE BASIS FOR THE MANUFACTURE OR SALE OF APPARATUS OR DEVICES WITHOUT PERMISSION.

SIZE B	DWG NO. 138381-5	REV 2
SCALE NONE	PROJ NO. 100008	SHEET 2 OF 4



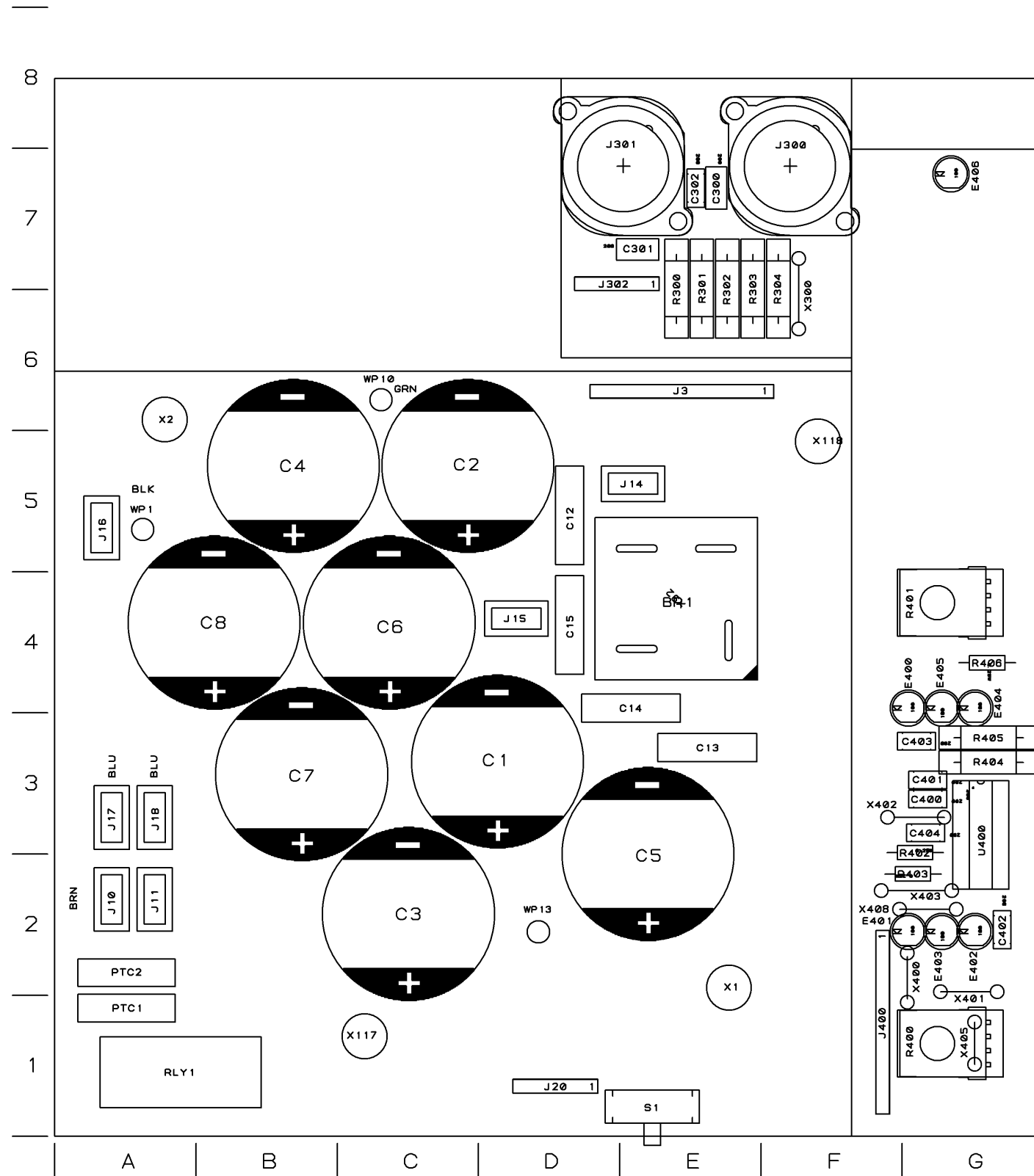
NOTES:

- SEE 138381-5_2.XLS FOR DATA & REVS
- 1. ALL RESISTORS ARE IN OHMS, 0.25W, 1% UNLESS OTHERWISE SPECIFIED.
- 2. ALL CAPACITORS ARE IN MICROFARADS UNLESS OTHERWISE SPECIFIED.

PWA, XLS DISPLAY

UNCONTROLLED UNLESS OTHERWISE MARKED IN RED INK BY CM AS A CONTROLLED COPY. COPIES OF THESE DOCUMENTS INCLUDING ASSOCIATED ELECTRONIC REPRODUCTIONS ARE FOR REFERENCE ONLY.	THESE DRAWINGS AND SPECIFICATIONS ARE THE PROPERTY OF CROWN INTERNATIONAL, INC. AND SHALL NOT BE REPRODUCED, COPIED, OR USED AS THE BASIS FOR THE MANUFACTURE OR SALE OF APPARATUS OR DEVICES WITHOUT PERMISSION.		SIZE B	DWG NO. 138381-5	REV 2
	SCALE NONE	PROJ NO. 100008	SHEET 3 OF 4		

COMPONENT MAP
TOP SIDE



PWA, XLS PWR SUP

UNCONTROLLED
UNLESS OTHERWISE MARKED IN RED INK BY CM AS A CONTROLLED COPY, COPIES OF THESE DOCUMENTS INCLUDING ASSOCIATED ELECTRONIC REPRODUCTIONS ARE FOR REFERENCE ONLY.

THESE DRAWINGS AND SPECIFICATIONS ARE THE PROPERTY OF CROWN INTERNATIONAL, INC. AND SHALL NOT BE REPRODUCED, COPIED, OR USED AS THE BASIS FOR THE MANUFACTURE OR SALE OF APPARATUS OR DEVICES WITHOUT PERMISSION.

SIZE B	DWG NO. 138382-5	REV 2
SCALE NONE	PROJ NO. 100008	SHEET 4 OF 4